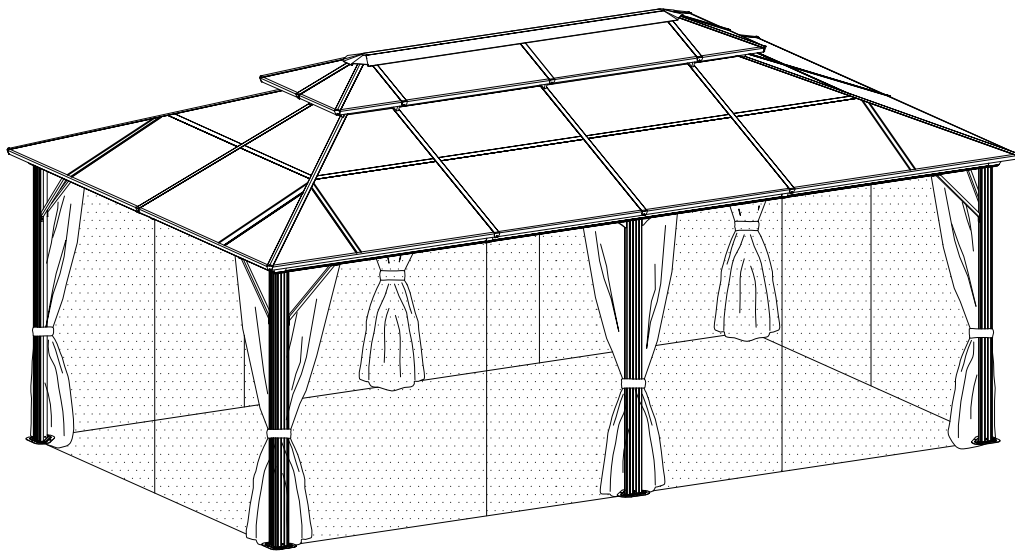


# 12 x 20 FT



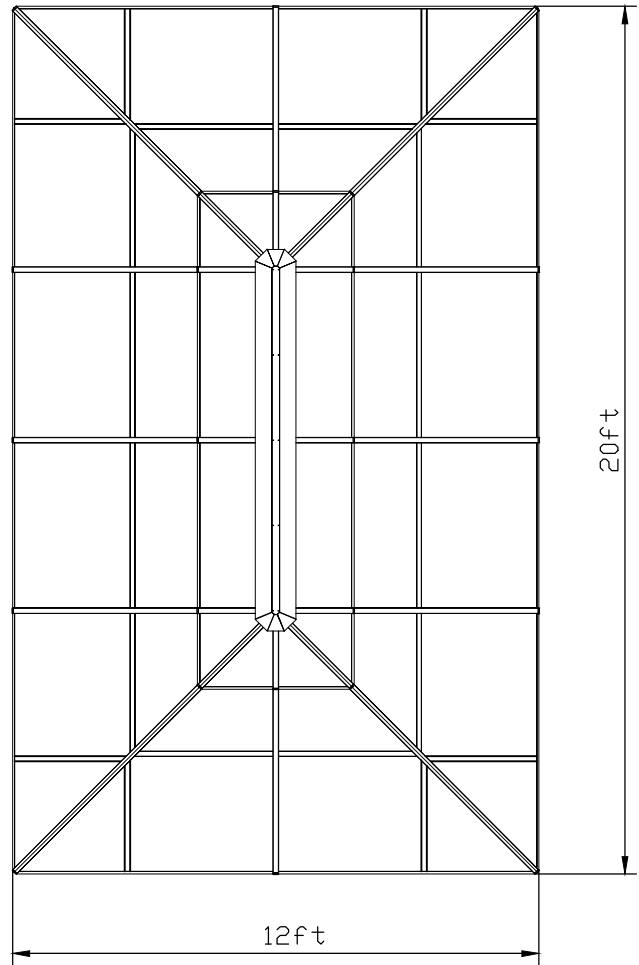
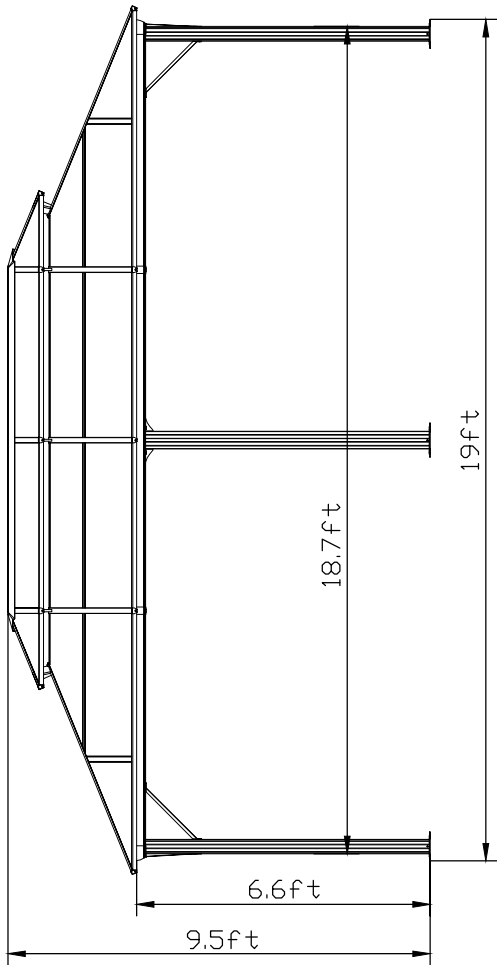
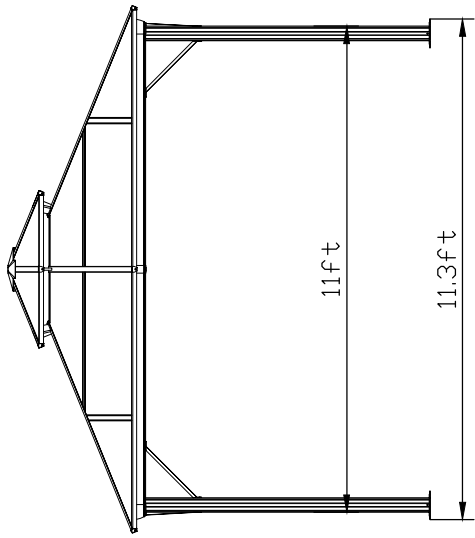
JFG010-1



At least need 5 people work together

## REQUIRE A1 TOOLS







Q 4X

23-B059



Q1 2X

23-B060



F 4x

23-B061



F1 4x

23-B062



G 2x

23-B063



A1 4x

23-B064



B 4x

23-B002



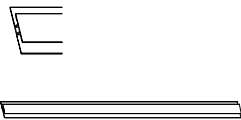
C 2x

23-B003



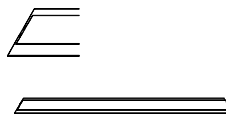
C1 6x

23-B065



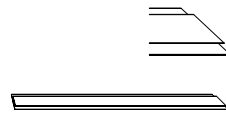
D12 4x

23-B066



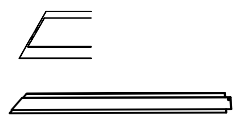
D1 4x

23-B005



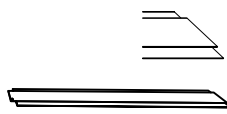
D2 4x

23-B006



D3 4x

23-B007



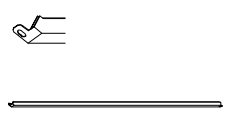
D4 4x

23-B008



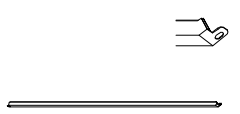
E25 8x

23-B136



E1 4x

23-B010



E2 4x

23-B011



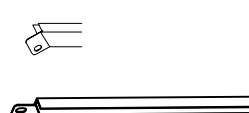
E3 4x

23-B012



E4 4x

23-B013



E22 4x

23-B032



E23 4x

23-B033



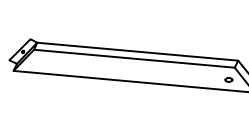
E24 4x

23-B135



H 4x

23-B069



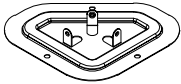
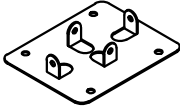
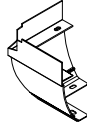



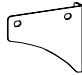
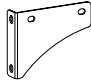
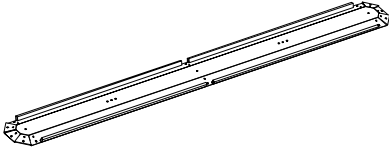
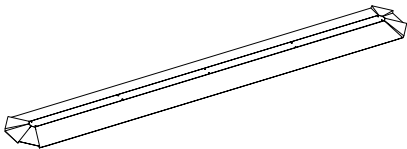
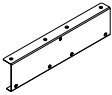


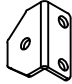
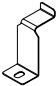
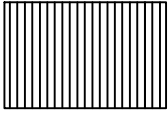
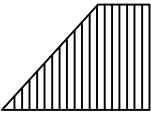
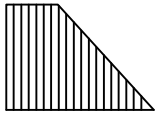
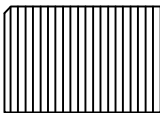
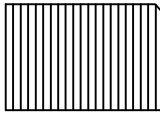
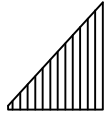
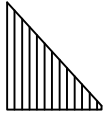
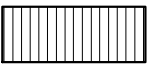
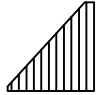
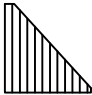
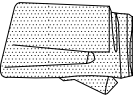
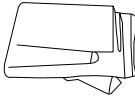

H1 4x

23-B070



R 3x

23-B071

				23-B072
J2 4x	J1 2x	K 4x	K1 6x	
				
N 12x	N1 16x	W1 2x	W2 2x	
				
L2 1x	M2 1x			
				
P 6x	X 8x	X1 8x	X2 8x	
				
V 6x	S18 8x	S1 4x	S2 4x	
				
S3 4x	S4 4x	S5 4x	S6 4x	
				
T9 4x	T1 4x	T2 4x		
				
Y1 4x + 2x	Z1 4x + 2x	U 152x		



M6x15

1 207x



2 16x



M5x12

3 6x

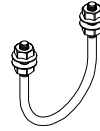


ST4.8x12

4 20x



5 3x



6 2x

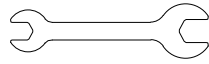


M5x15

7 48x



8 18x



9 1x



4mm

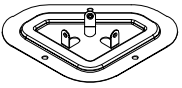
10 1x

Box A		Box C		V	6
Part #	Qty	Part #	Qty	J2	4
M2	1	Q1	2	J1	2
L2	1	C1	6	U	152
G	2	H	4	W1	2
A1	2	H1	4	W2	2
E3	4	B	4		
E4	4				
E22	4				
E23	4	Box D		Box E	
R	3	Part #	Qty	Part #	Qty
Y1	4+2	C	2	S18	8
Z1	4+2	D12	4	S1	4
Bags for screws: 1-10	1	D1	4	S2	4
		D2	4	S3	4
		D3	4	S4	4
		D4	4	S5	4
		F	4	S6	4
Box B		F1	4	T9	4
Part #	Qty	P	6	T1	4
Q	4	K	4	T2	4
A1	2	K1	6		
E25	8	N	12		
E1	4	N1	16		
E2	4	X	8		
E24	4	X1	8		
		X2	8		

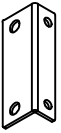
<1>



Q 4x



J2 4x



X1 8x



X2 8x

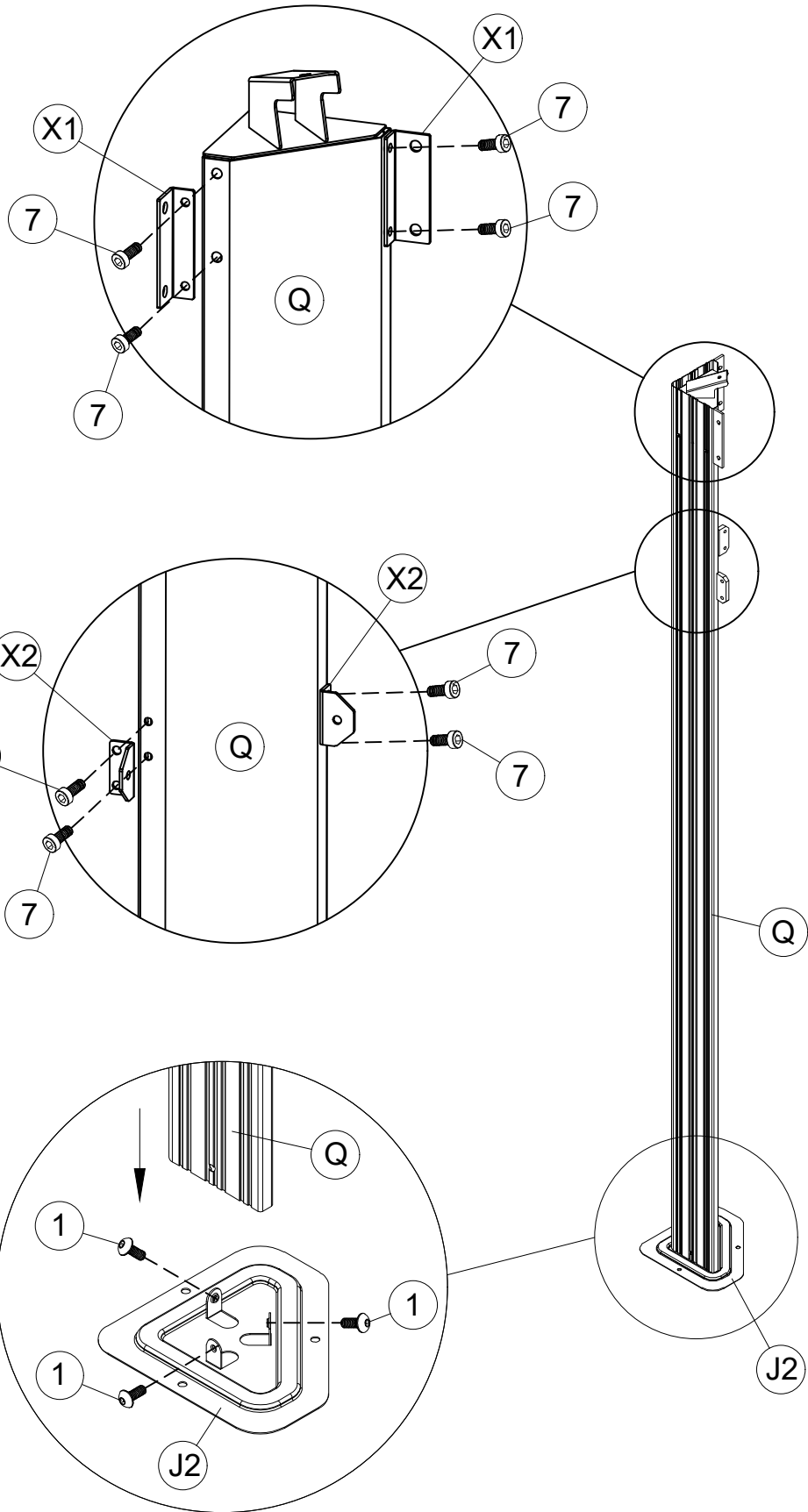


1 12x M6x15



7 32x M5x15

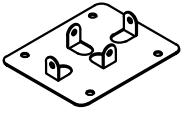
7



<2>



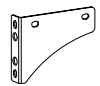
Q1 2x



J1 2x



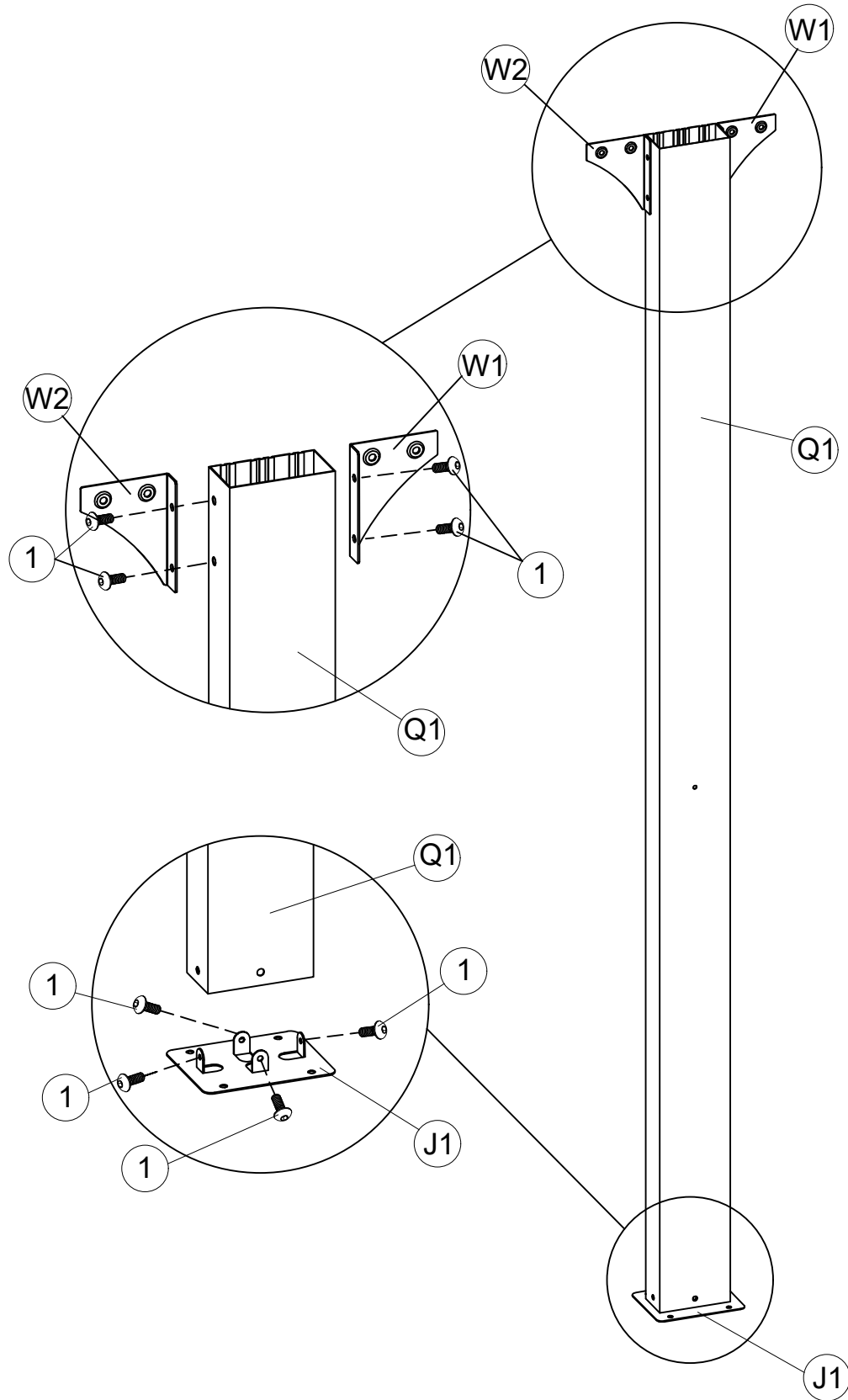
W1 2x



W2 2x



1 16x  
M6x15



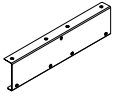


<3>

F 2x



F1 2x

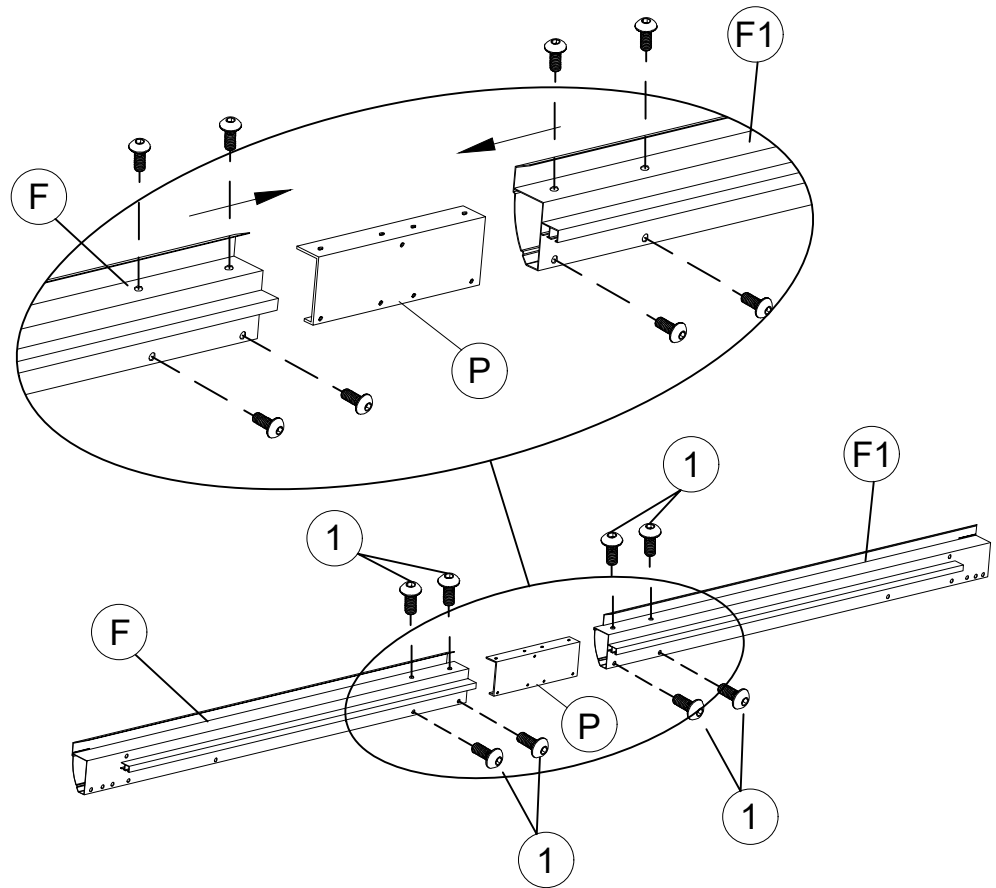


P 2x



M6x15

1 16x



<4>



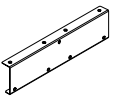
F 2x



F1 2x



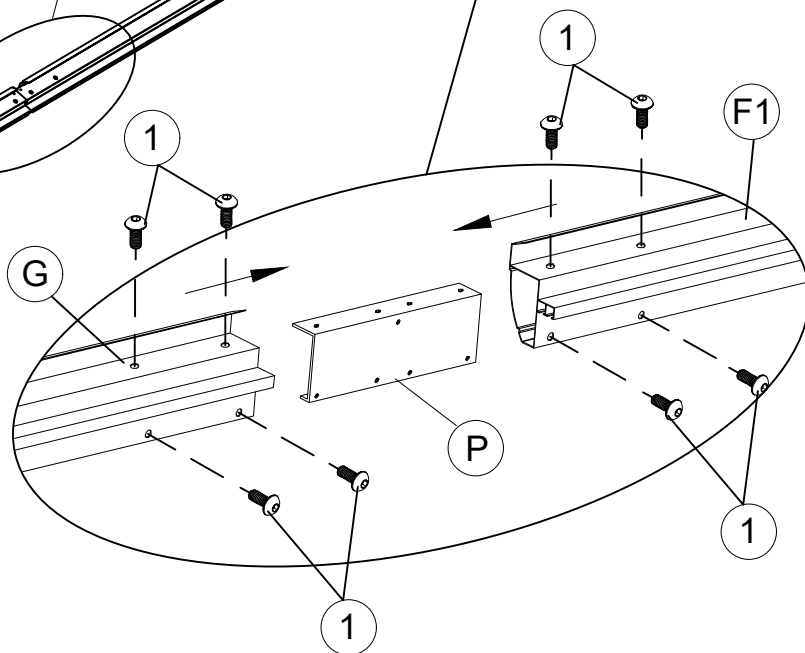
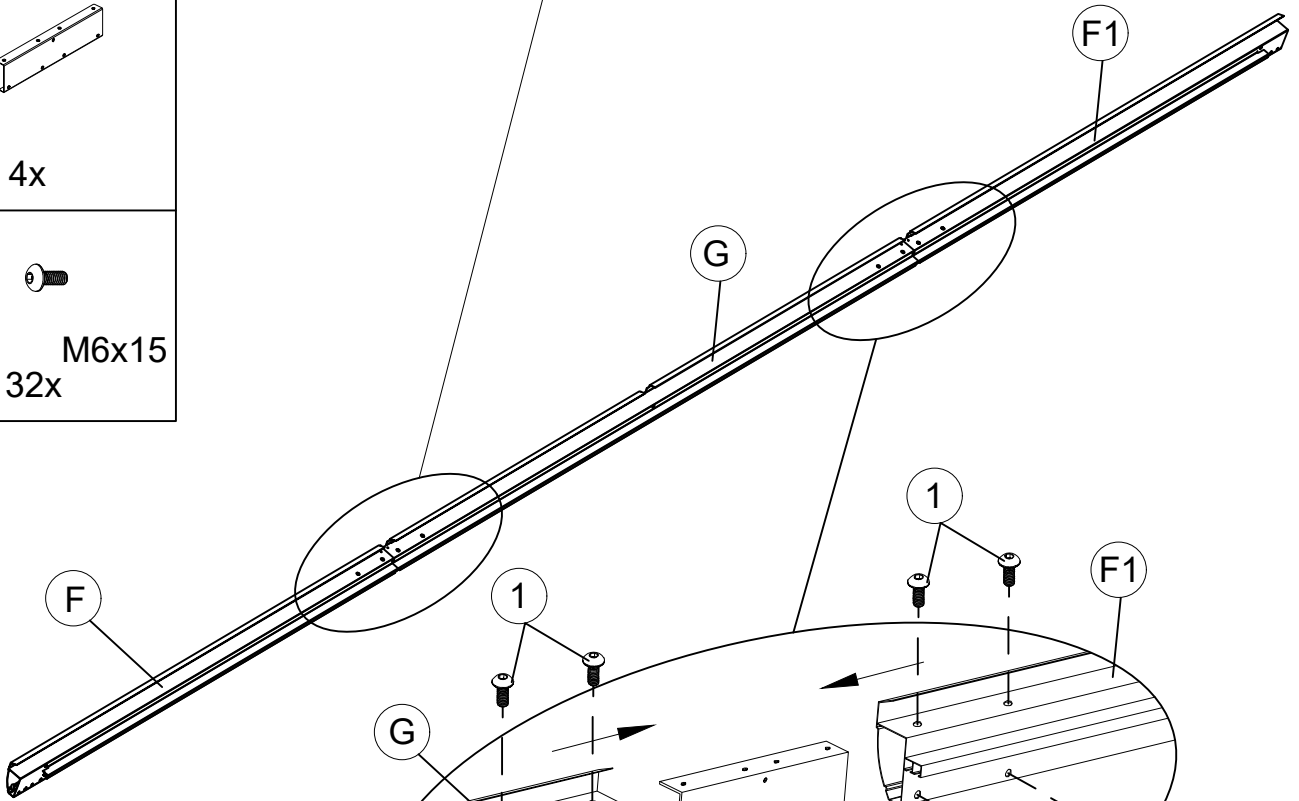
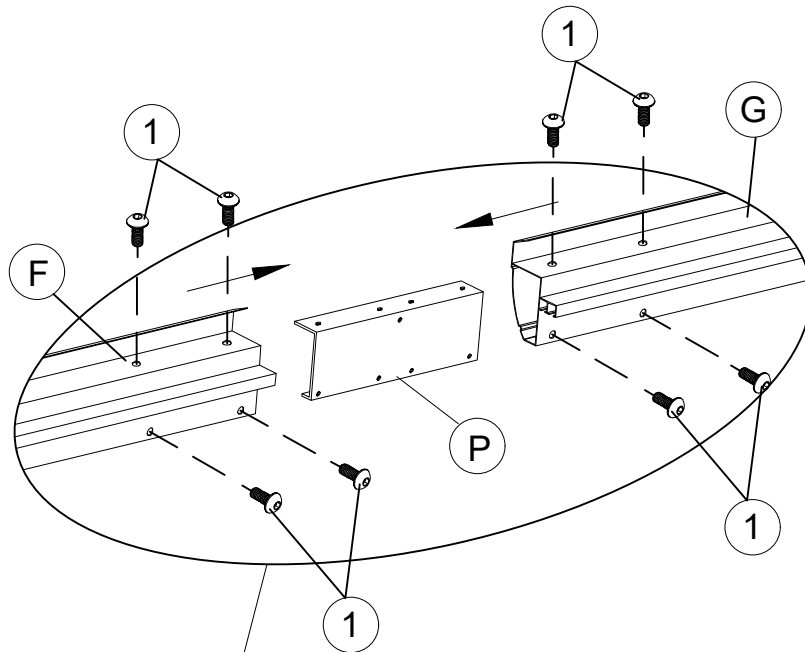
G 2x



P 4x



1 32x  
M6x15



10



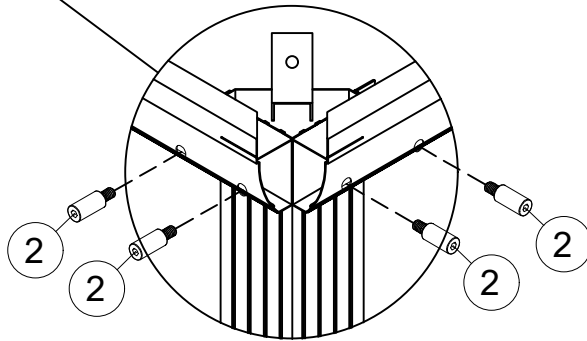
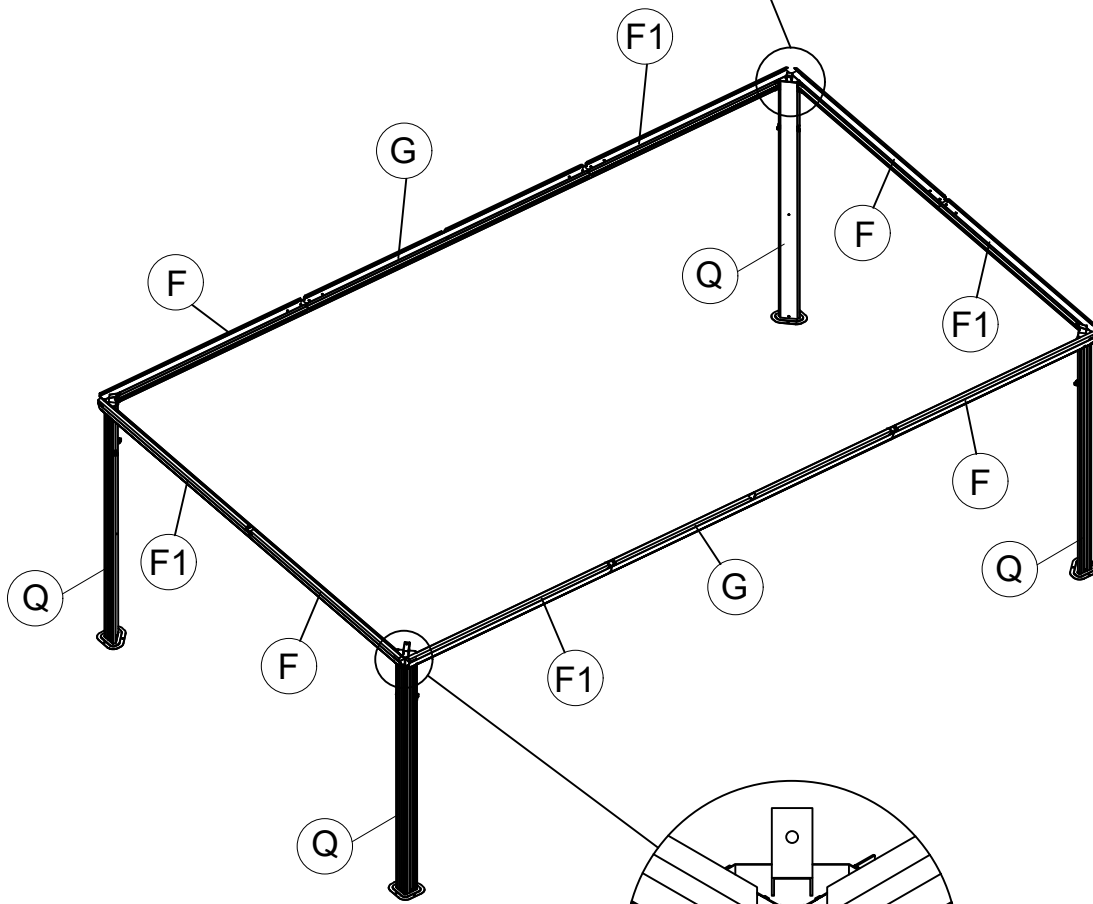
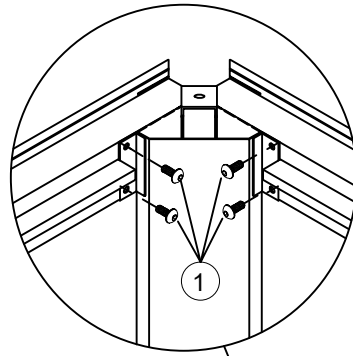
<5>

M6x15

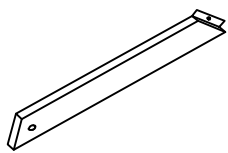
1 16x



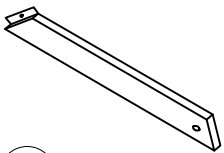
2 16x



11



H 4x



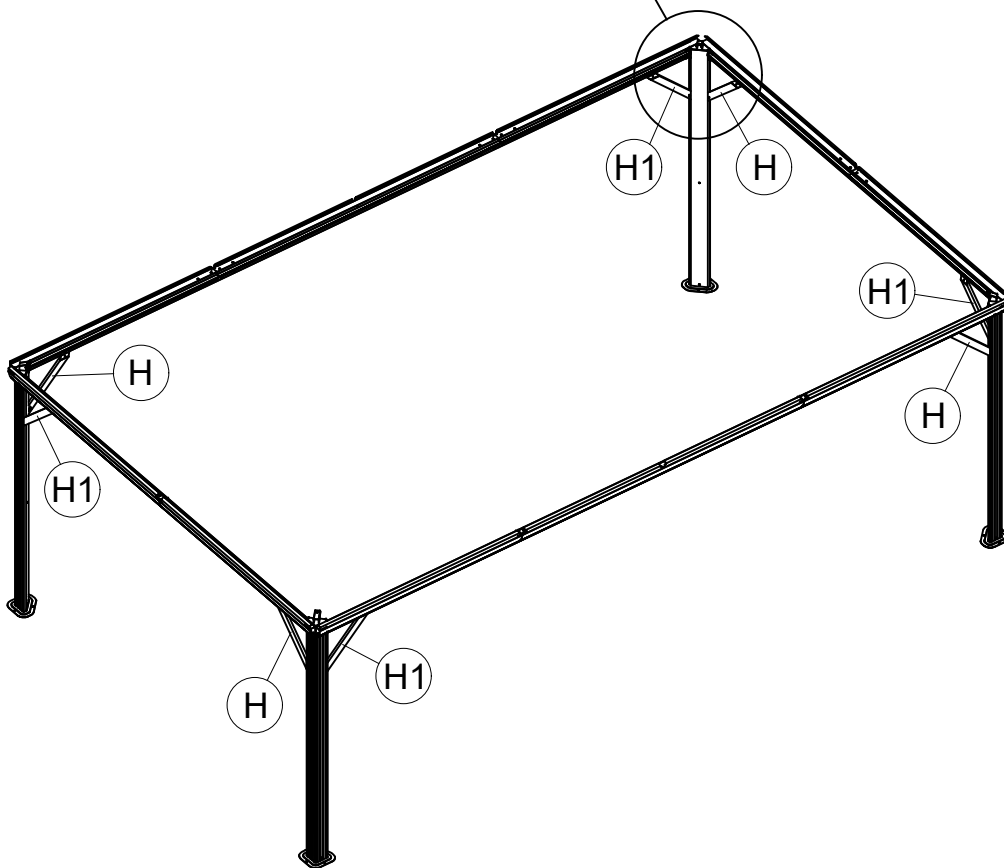
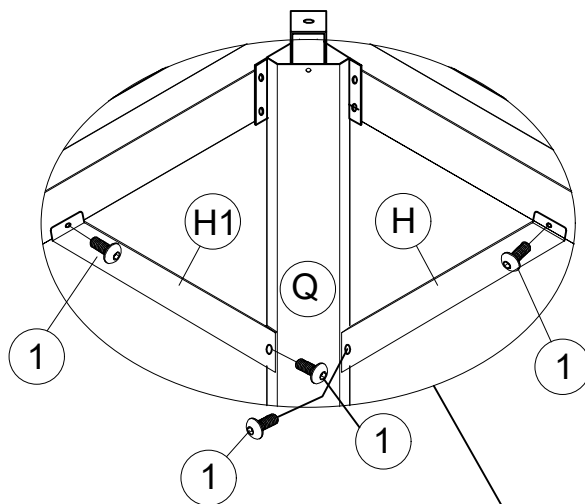
H1 4x



M6x15

1 16x

<6>



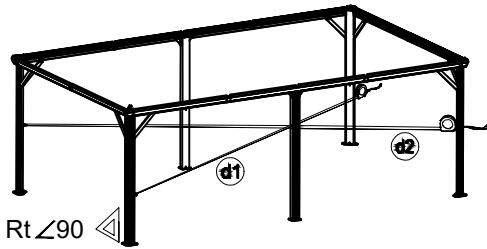


<7>

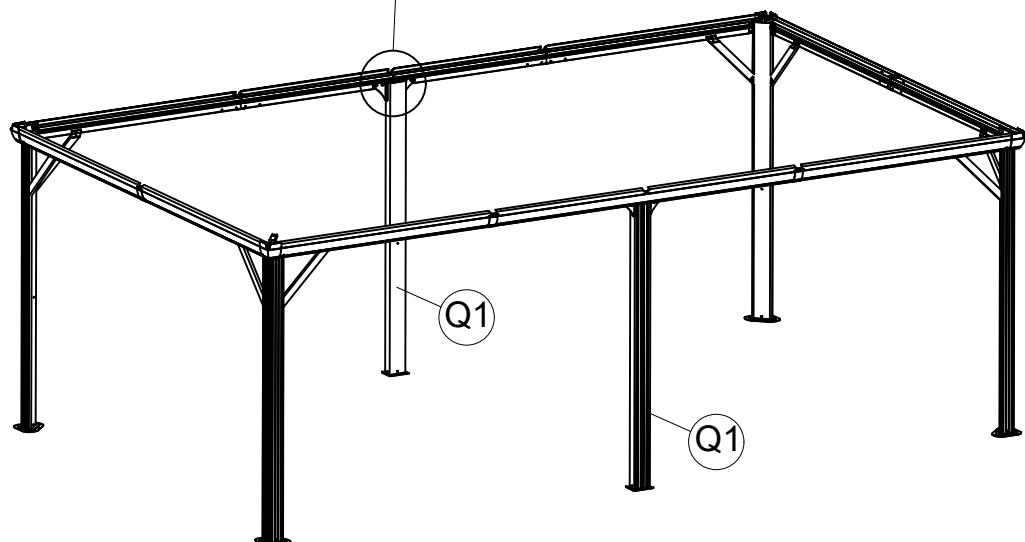
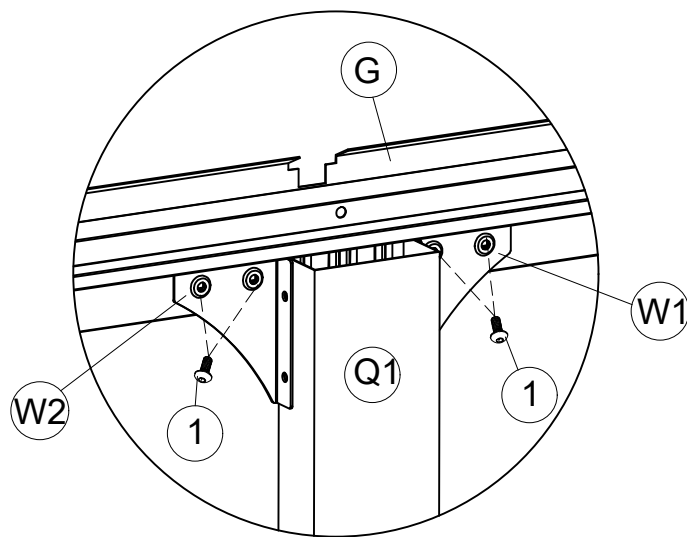
M6x15

1 8x

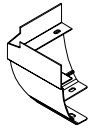
ⓘ A1=B



Tips: Please measure to make sure the length of A1 is equal to B before moving to next step to ensure a square frame and best results. Keep the beam at right angles to the post, the post at right angles to the ground, and keep the beam horizontal.



13



(K) 4x

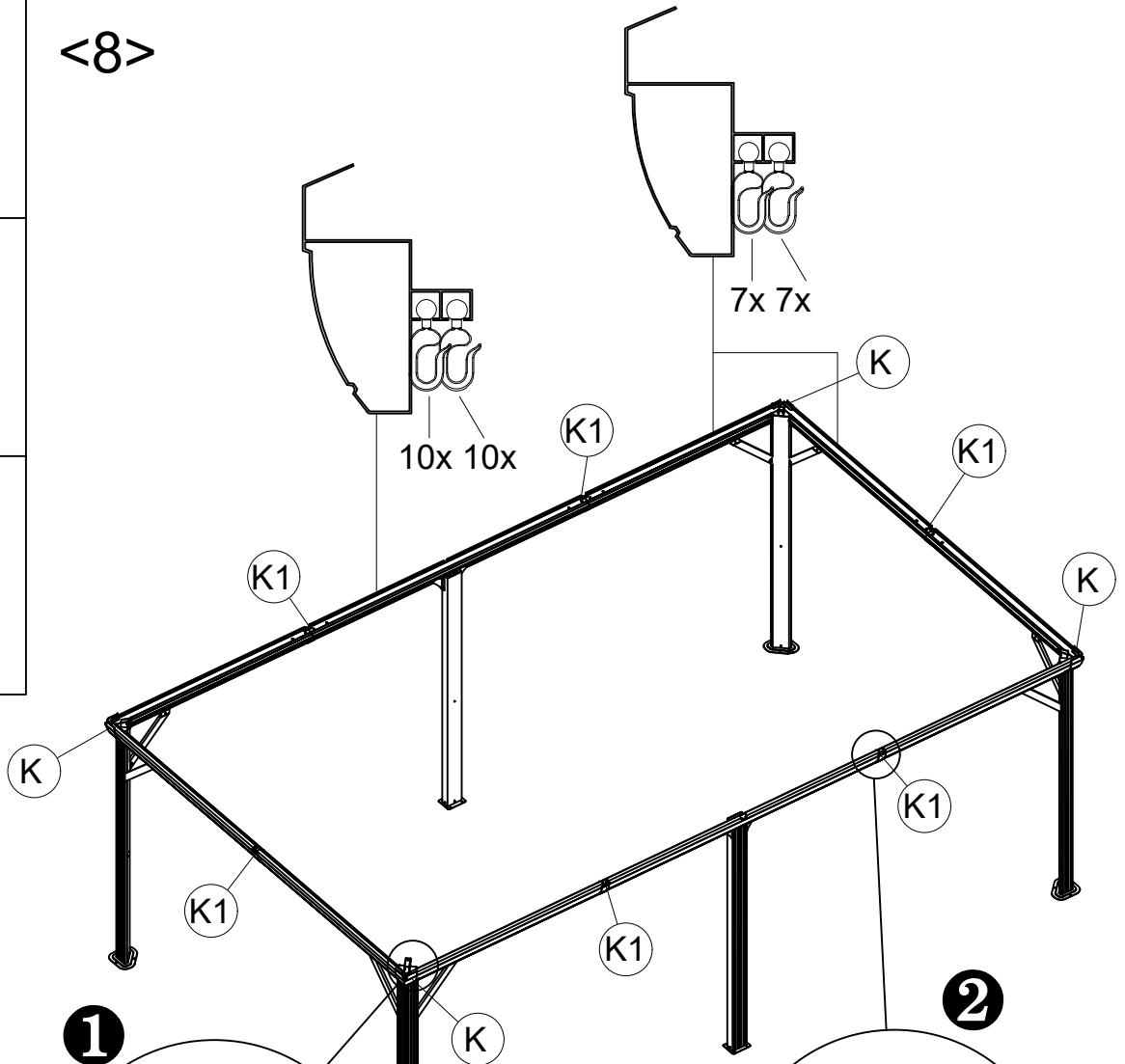


(K1) 6x

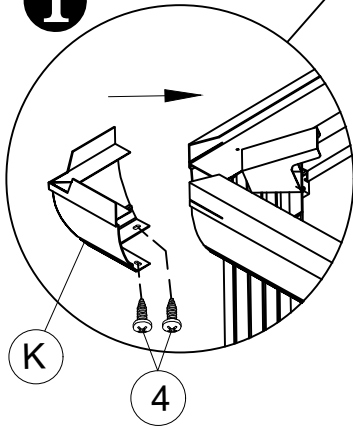


(U) 152x

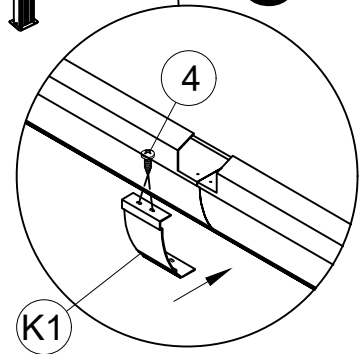
<8>



1



2



(V) 6x



(3) 6x



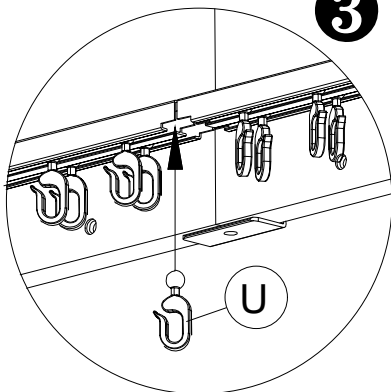
M5x12

(4) 20x

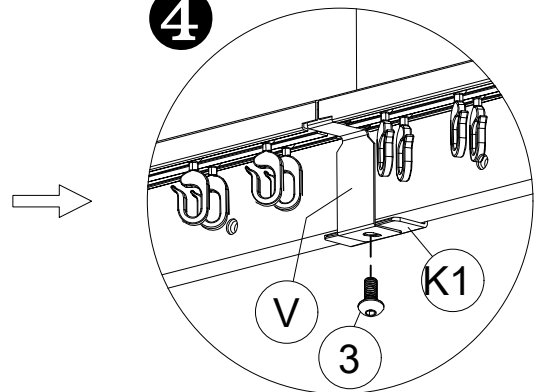
ST4.8x12

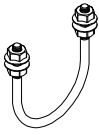
14

3



4



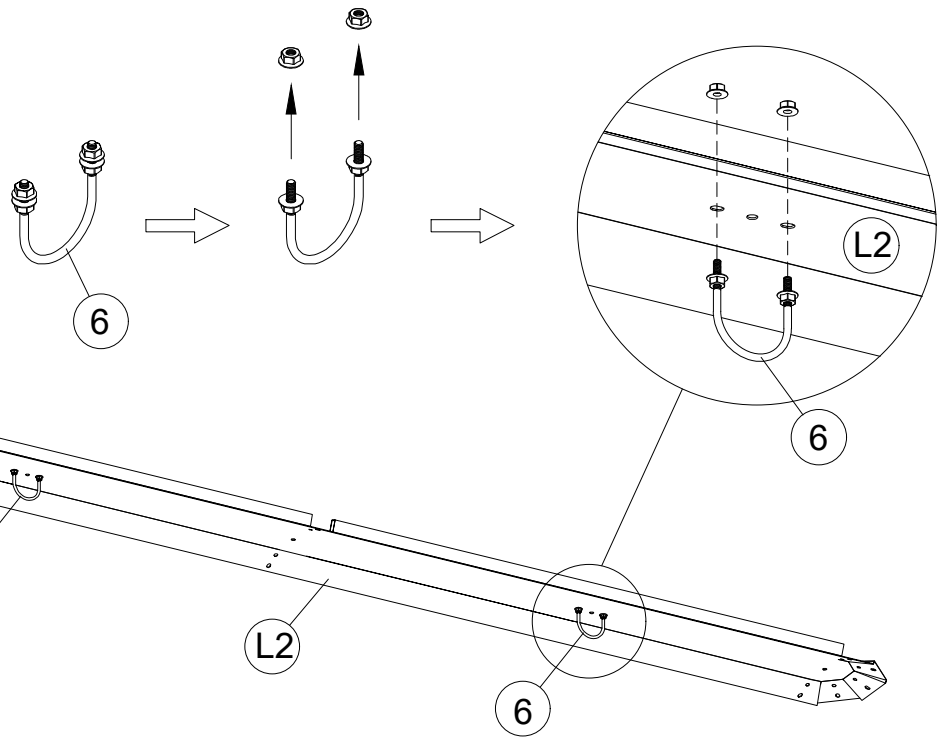


6 2x

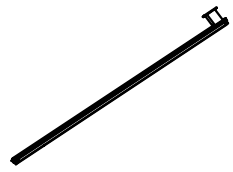


L2 1x

<9>



<10>



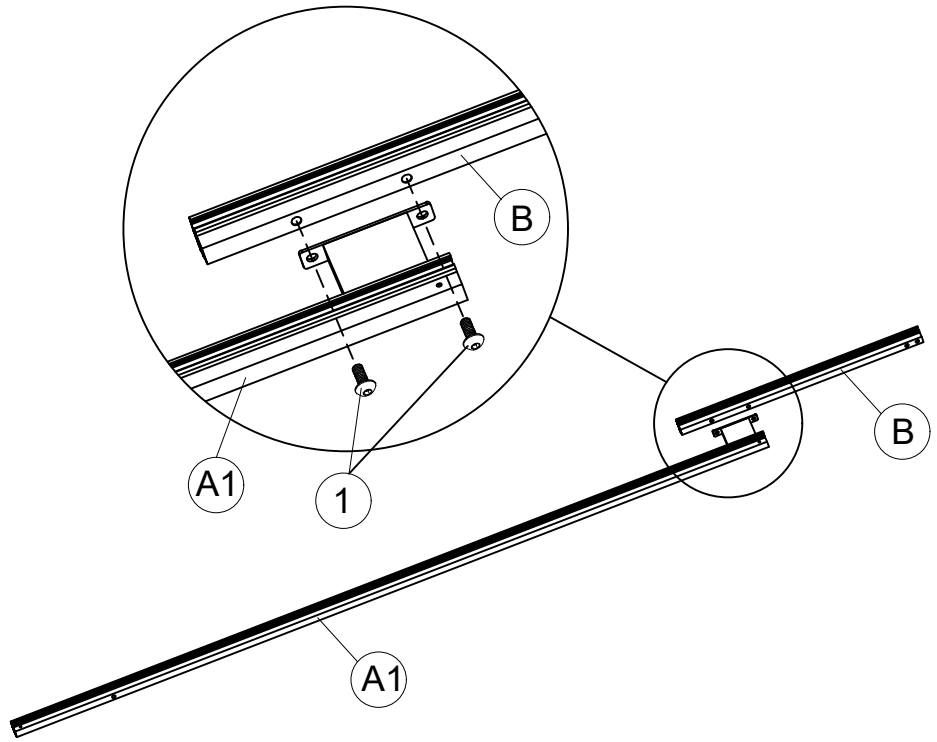
A1 4x

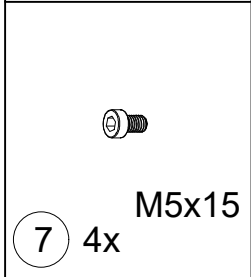
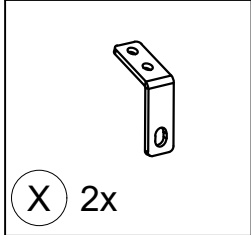
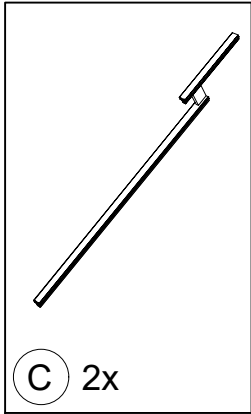


B 4x

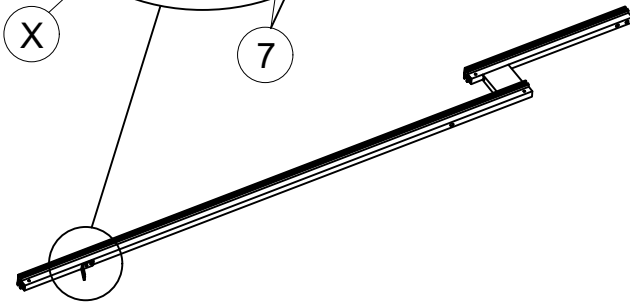
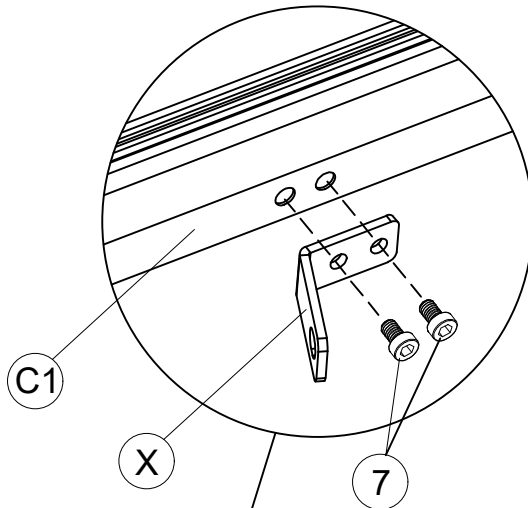
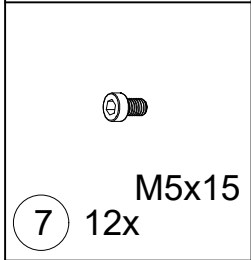
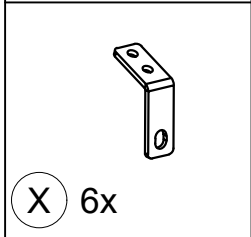
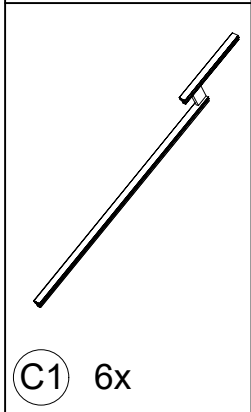
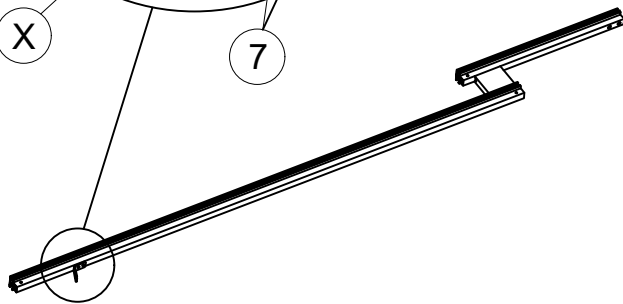
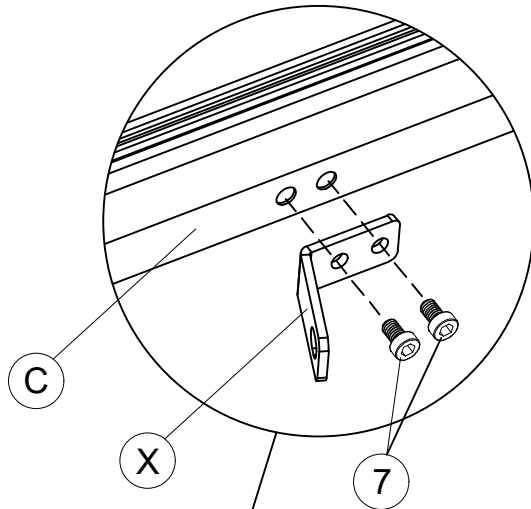


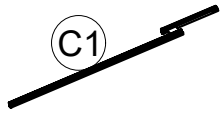
1 8x M6x15





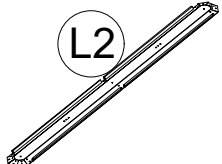
<11>





C1

6x



L2

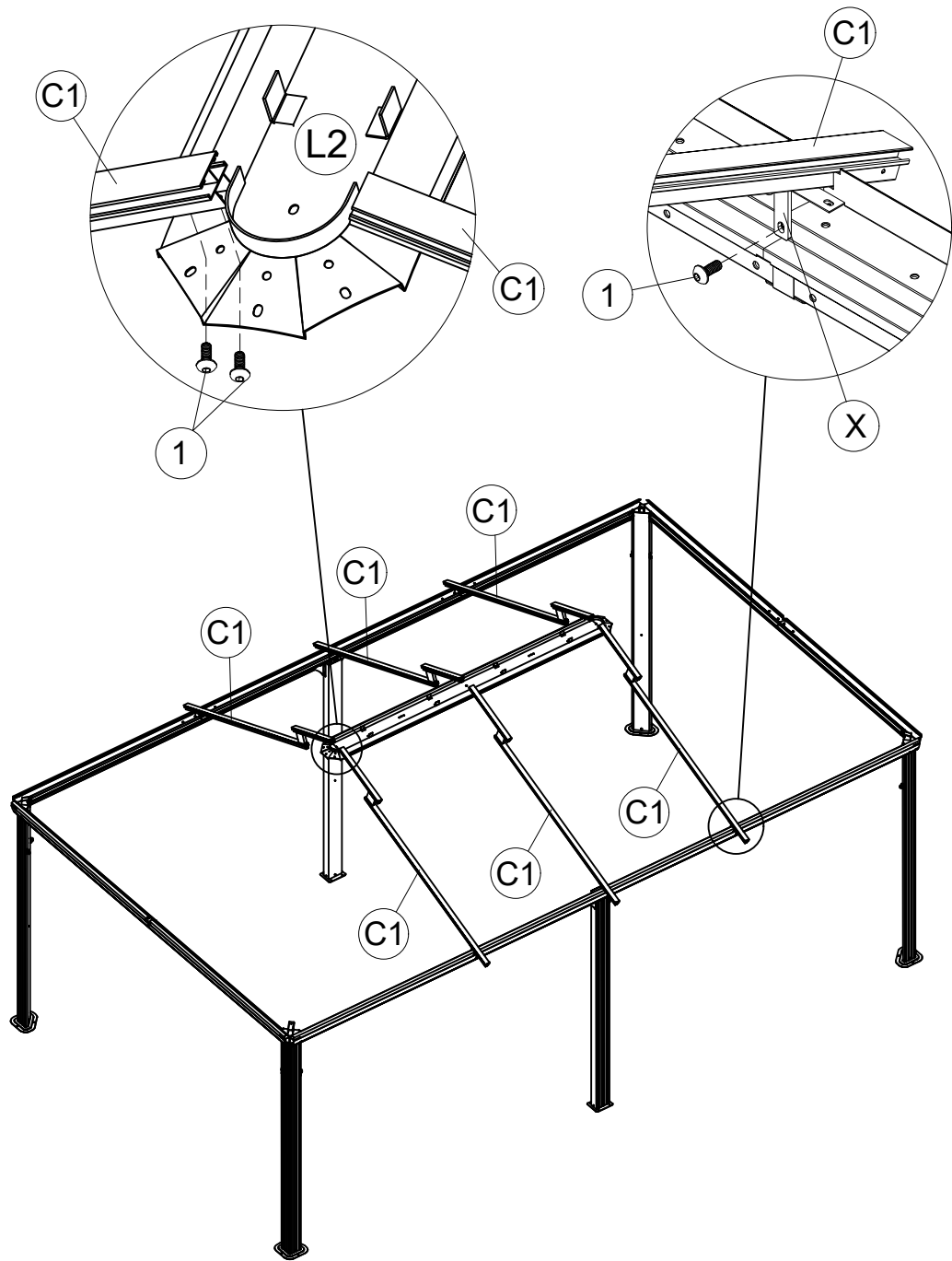
1x



M6x15

1 18x

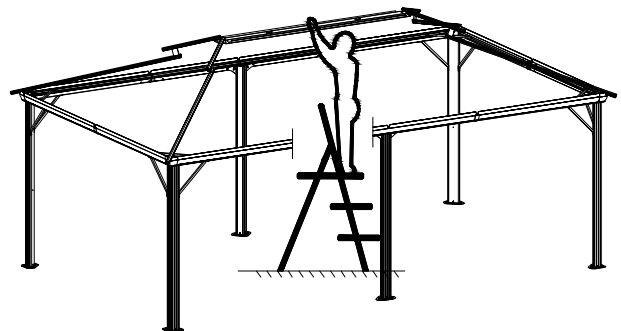
<12>



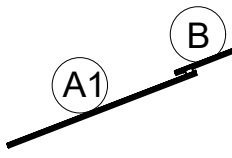
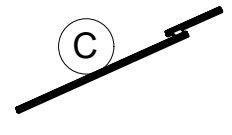

Note:

1. Let one person stand on the ladder to lift "L2" and hold and let others fasten the screws connecting both ends of "C" & "C1" & "A1".

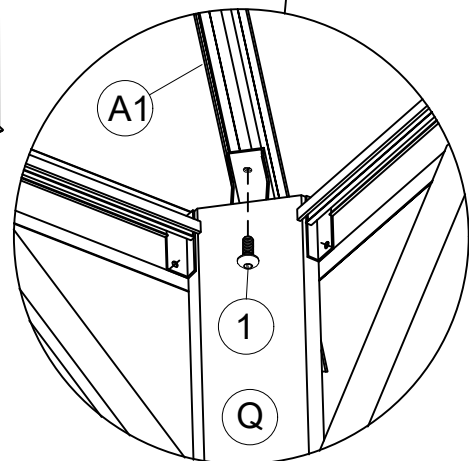
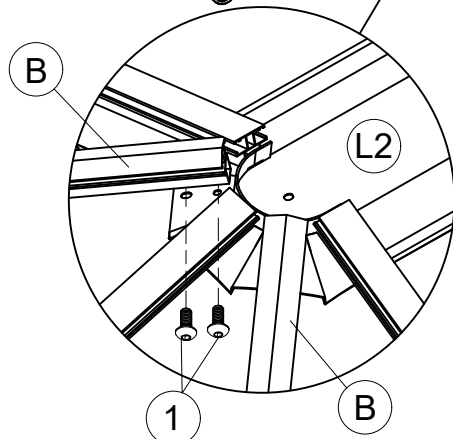
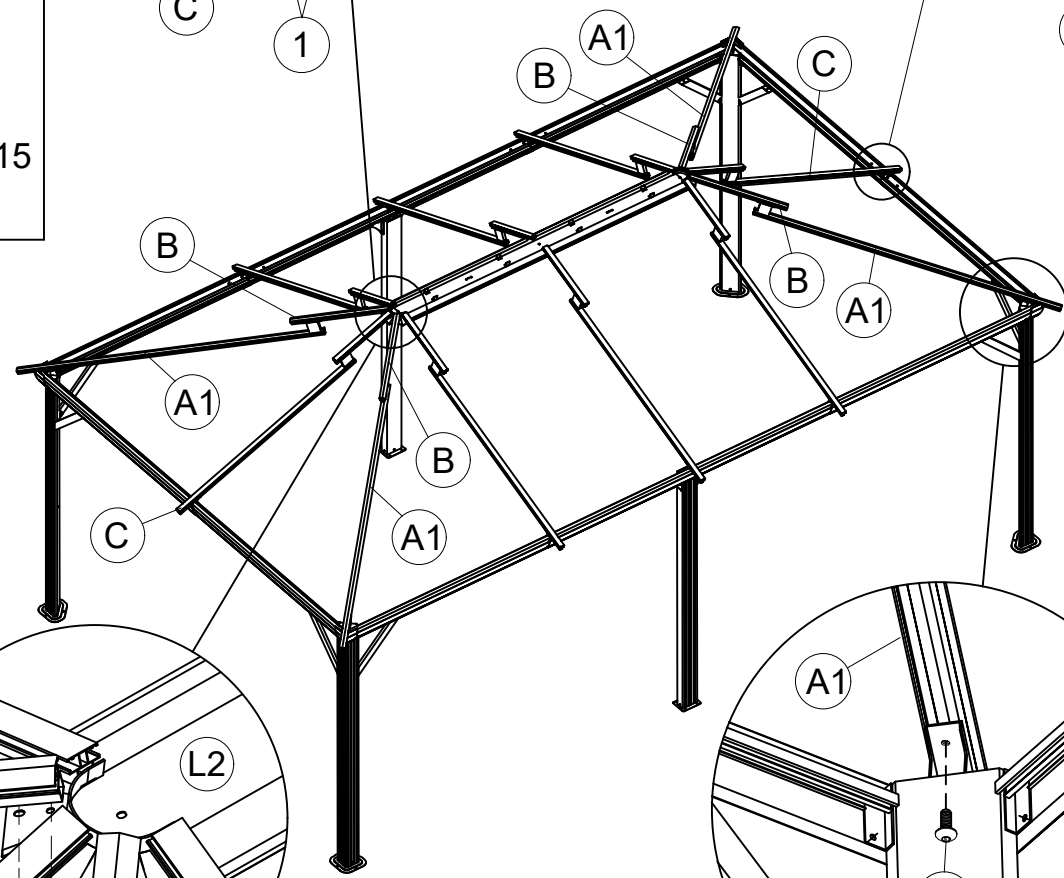
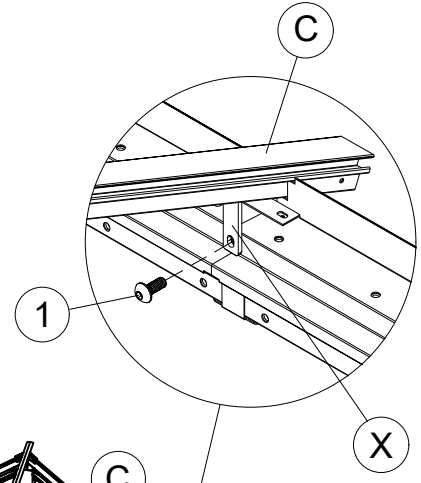
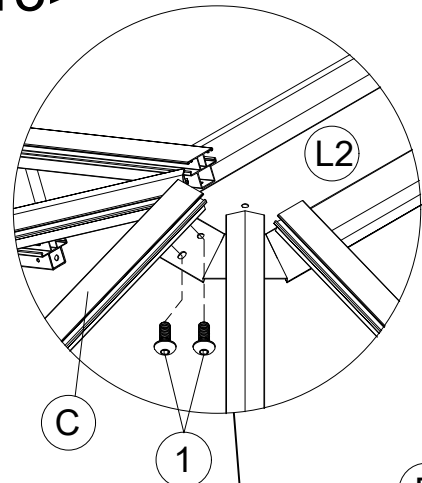
2. Please do not let go of holding "L2" until all the "C" & "C1" & "A1" screws are installed.



18

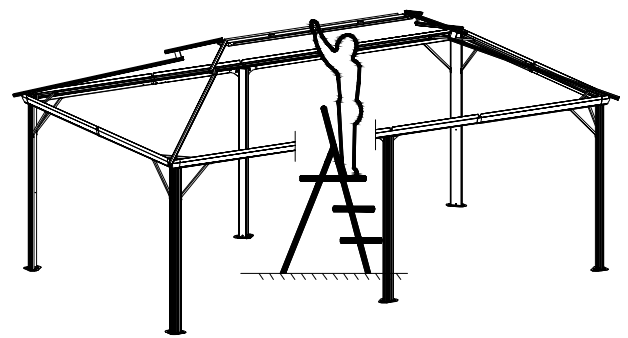
-  **A1** **B**
- 4x
-  **C**
- 2x
-  **1** **M6x15**
- 18x

<13>



Note:

1. Let one person stand on the ladder to lift "L2" and hold and let others fasten the screws connecting both ends of "C" & "C1" & "A1".
2. Please do not let go of holding "L2" until all the "C" & "C1" & "A1" screws are installed.





<14>

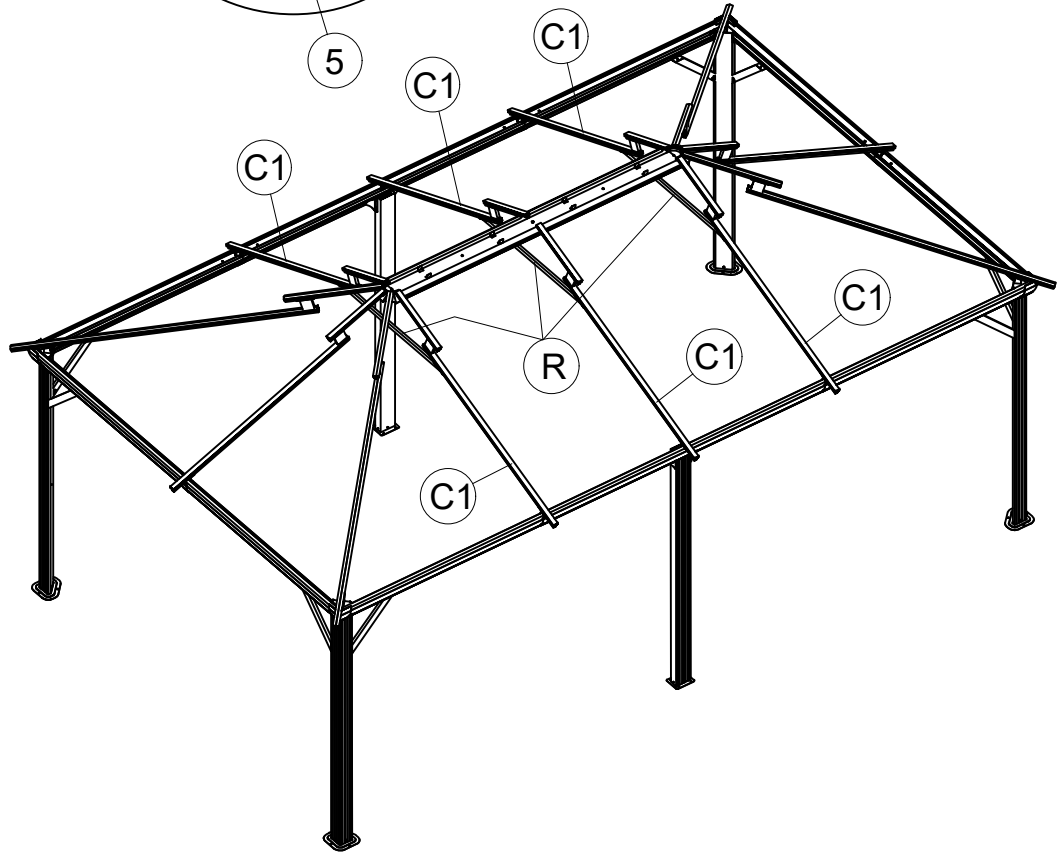
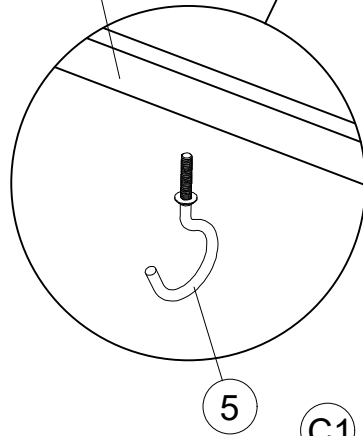
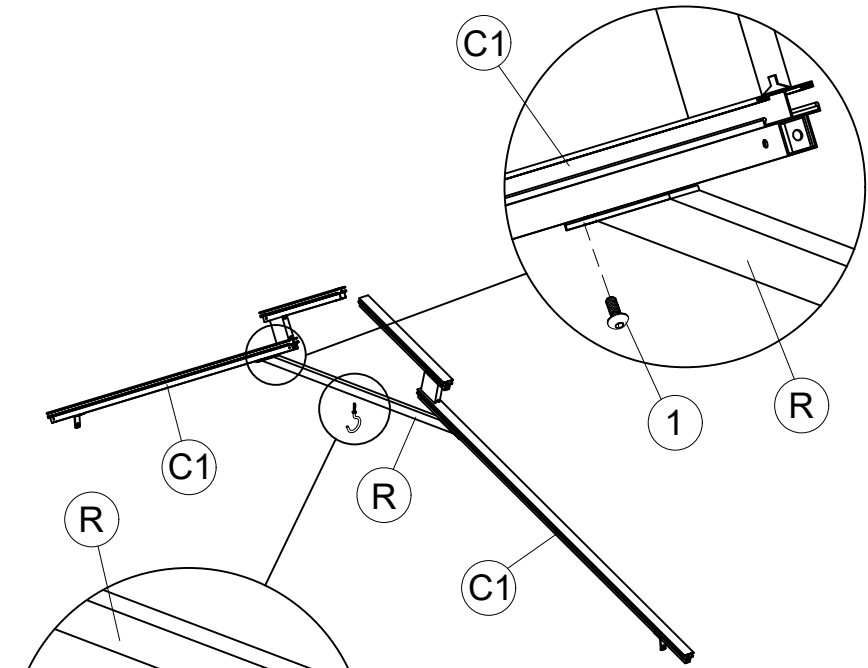
(R) 3x

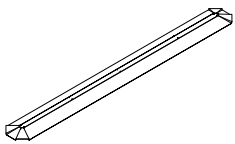


(5) 3x



(1) 6x  
M6x15





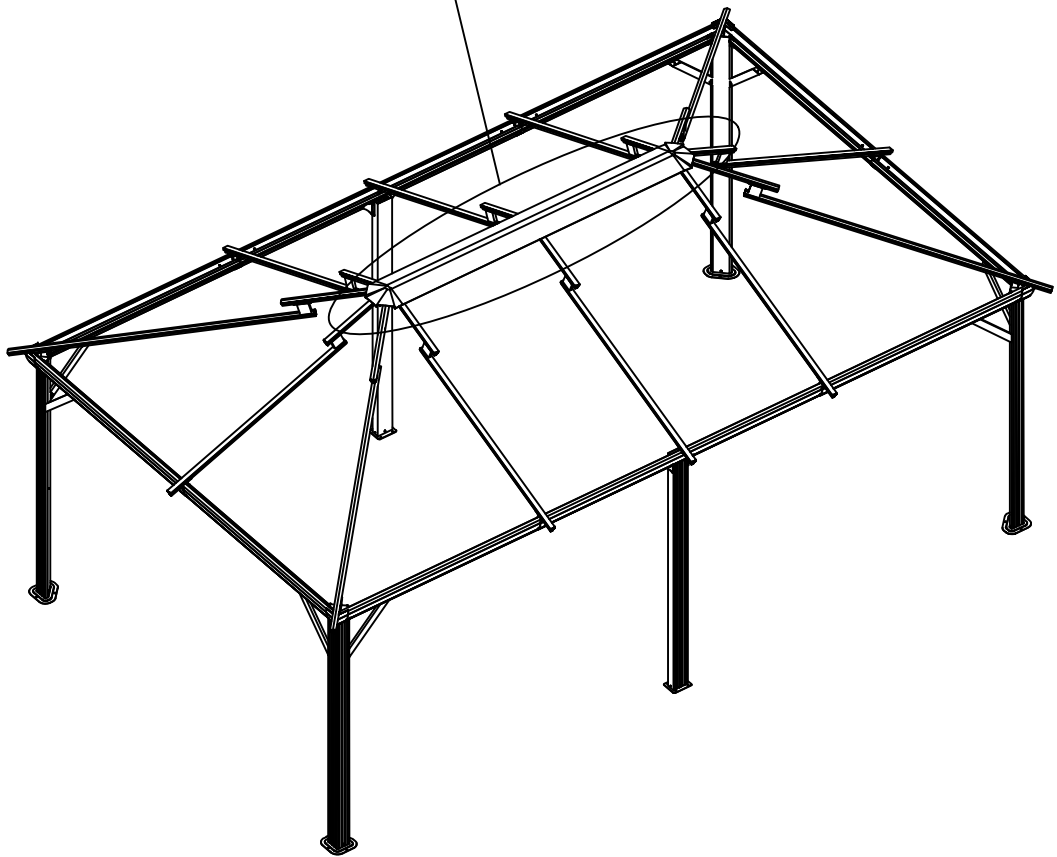
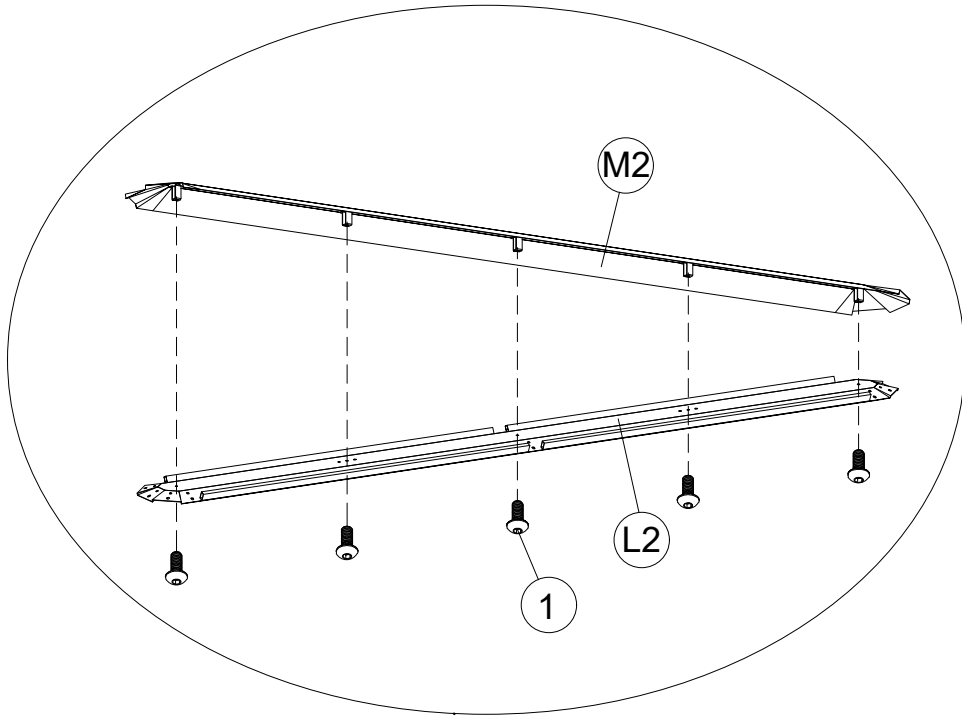
<15>

M2 1x



M6x15

1 5x



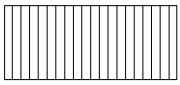
<16>



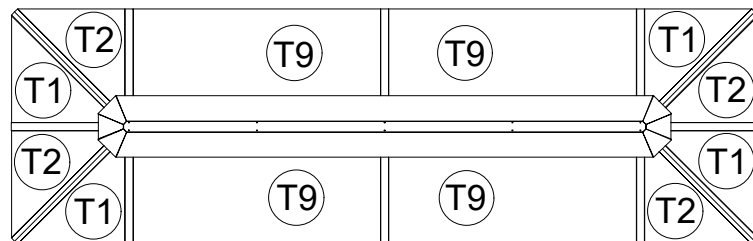
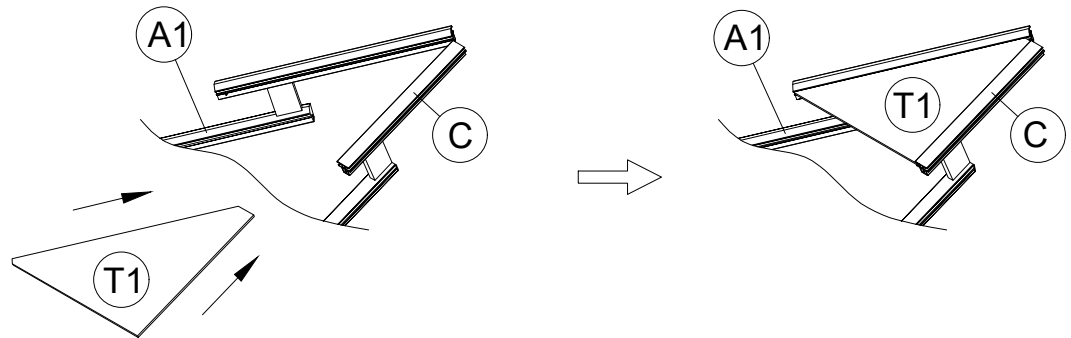
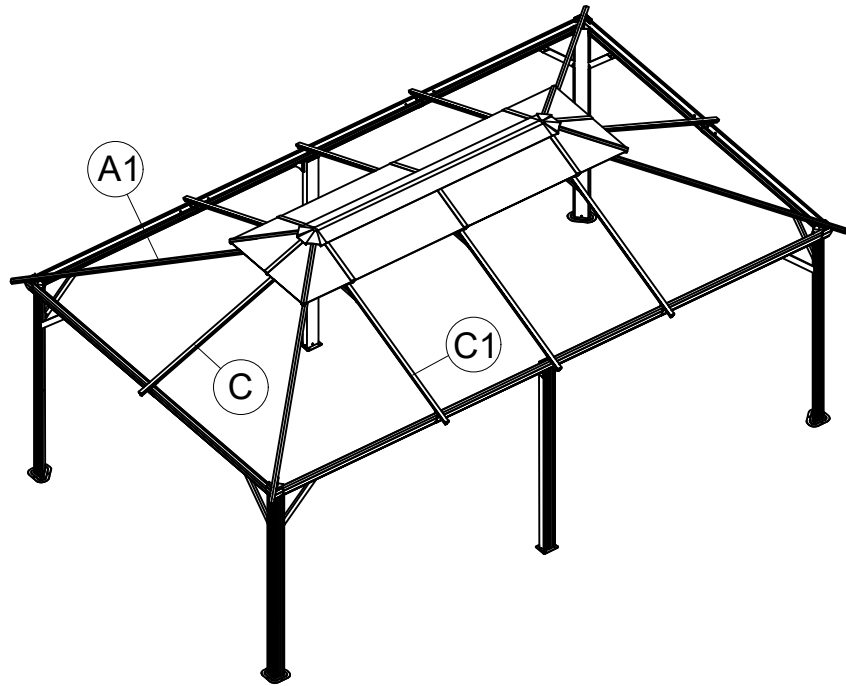
T1 4x



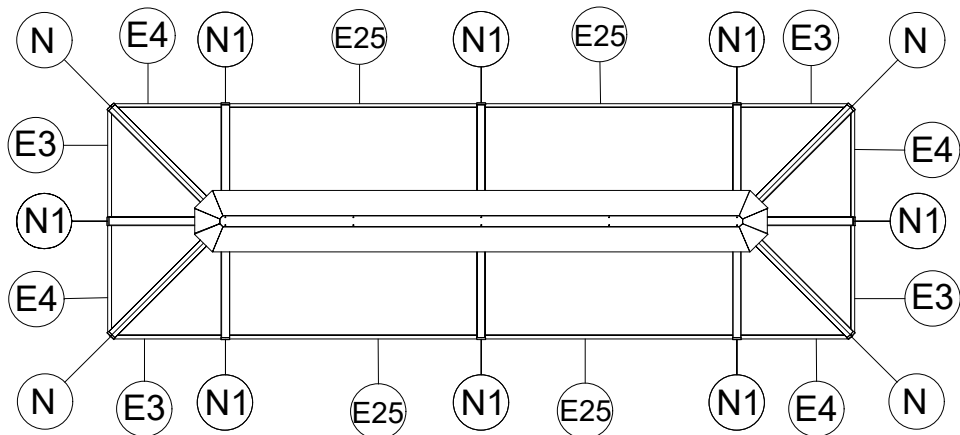
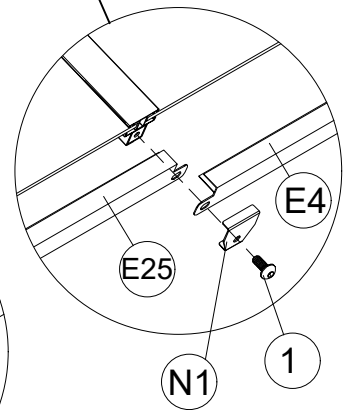
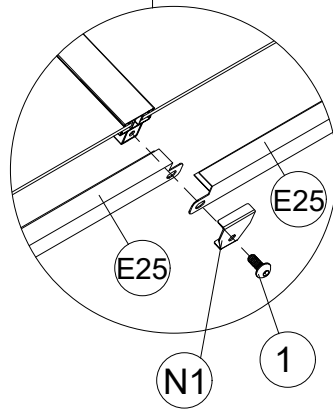
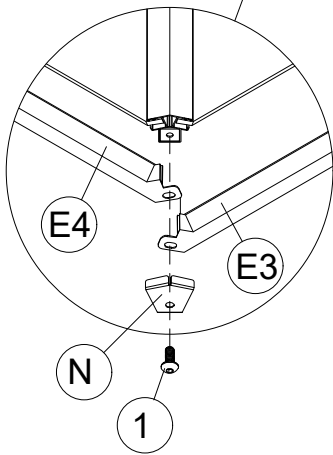
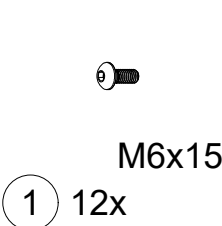
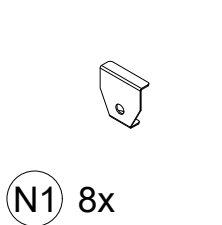
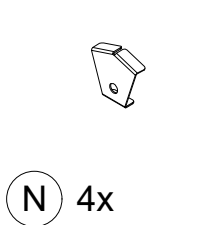
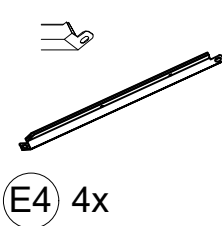
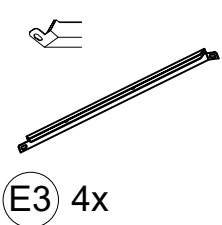
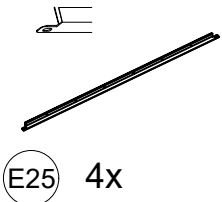
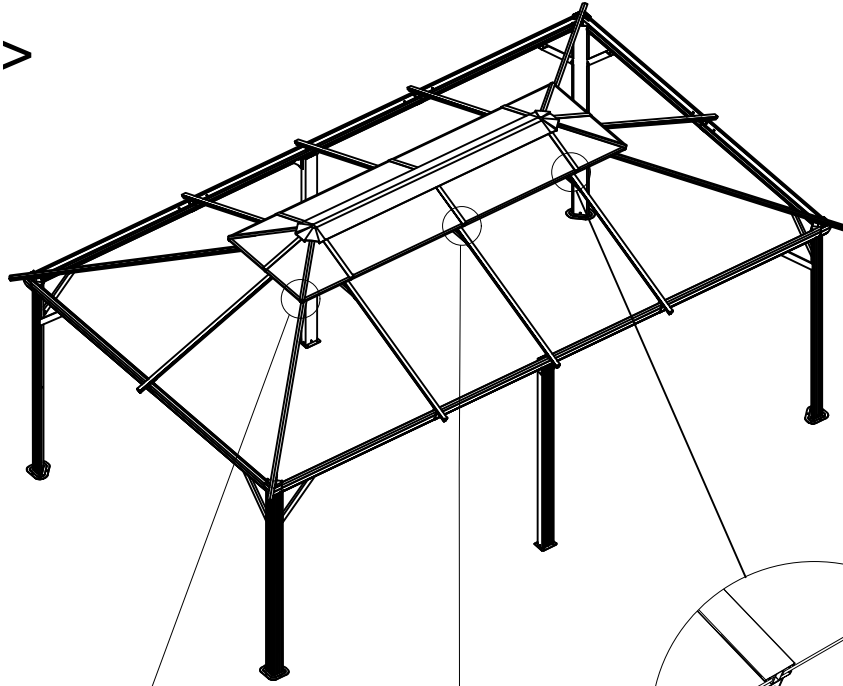
T2 4x



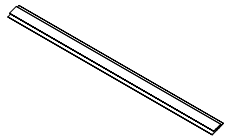
T9 4x



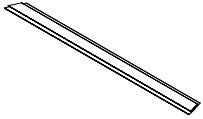
<17>



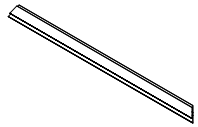
<18>



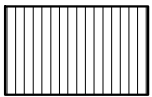
D12 4x



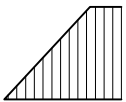
D1 4x



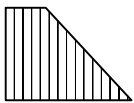
D2 4x



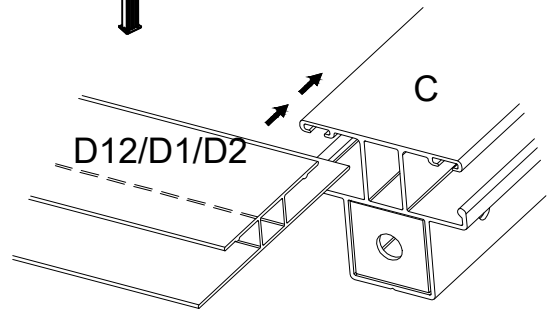
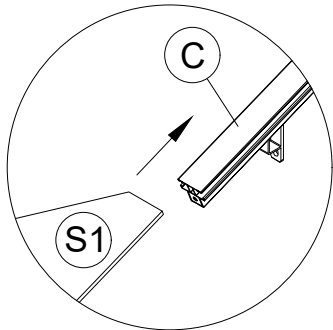
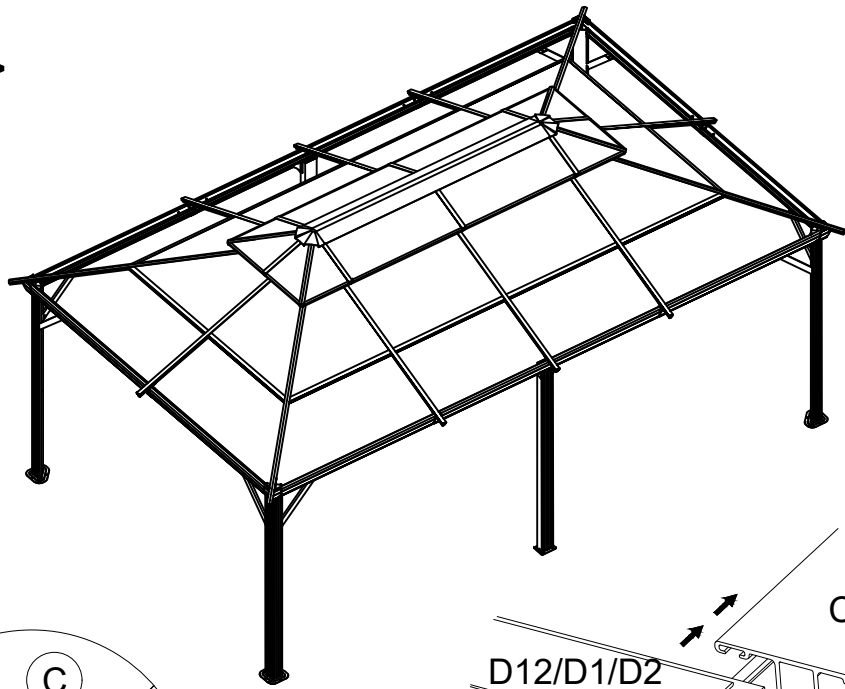
S18 4x



S1 4x

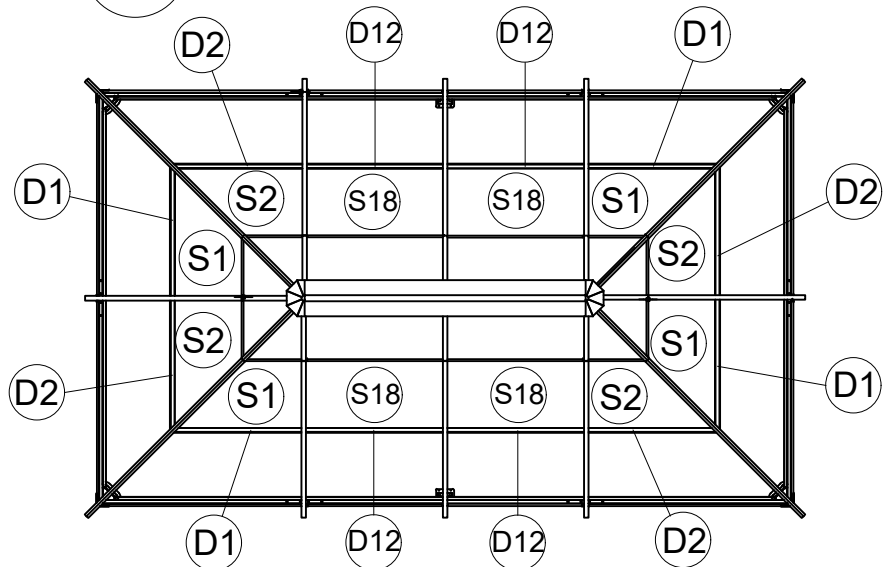
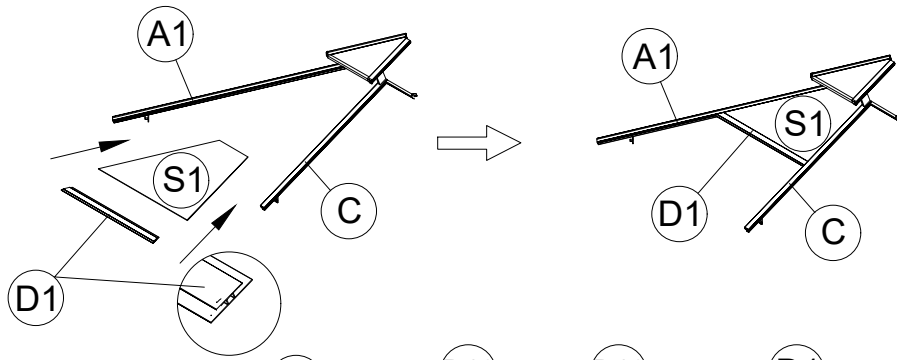


S2 4x



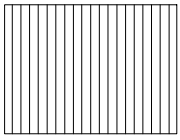
Note:

When D12 or D1 or D2 slide into the C, the wide side must be face down and narrow side face up, otherwise will cause water leaking

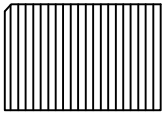


24

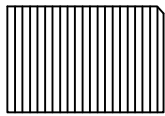
<19>



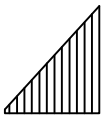
S18 4x



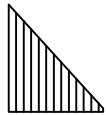
S3 4x



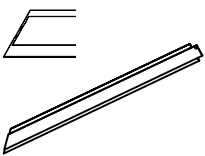
S4 4x



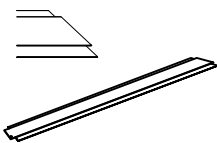
S5 4x



S6 4x

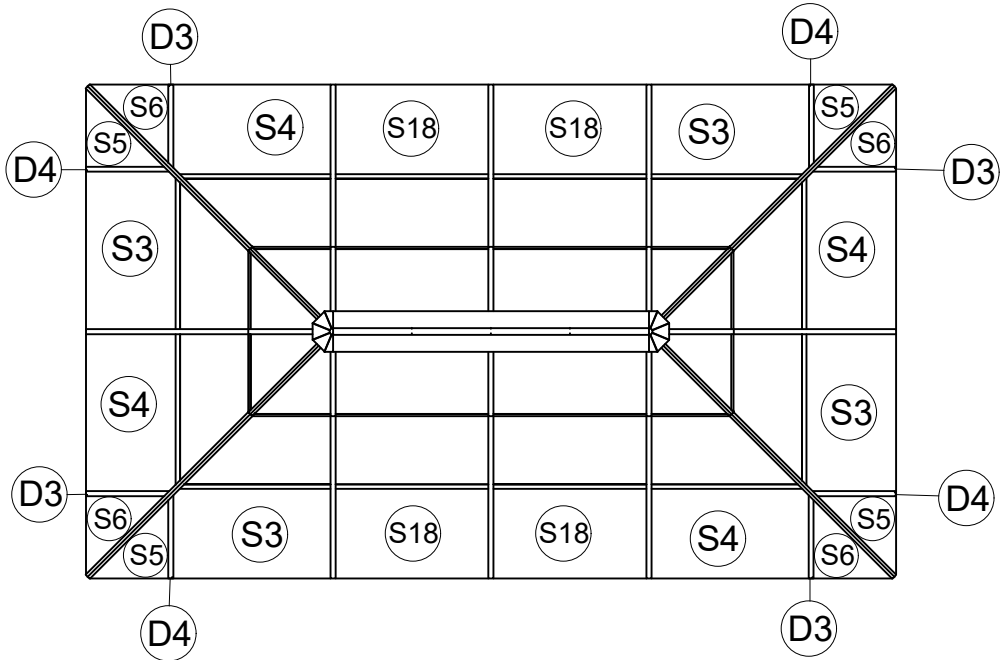
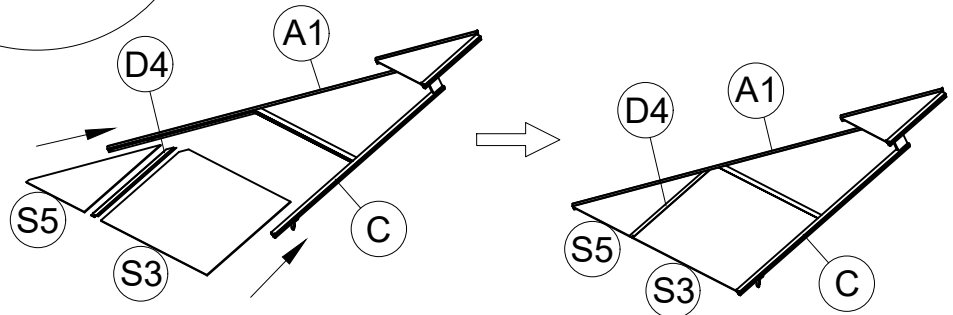
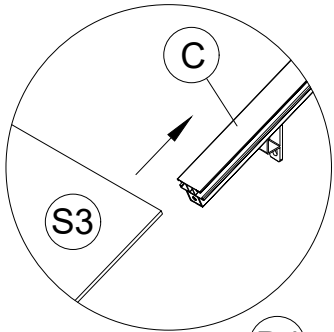
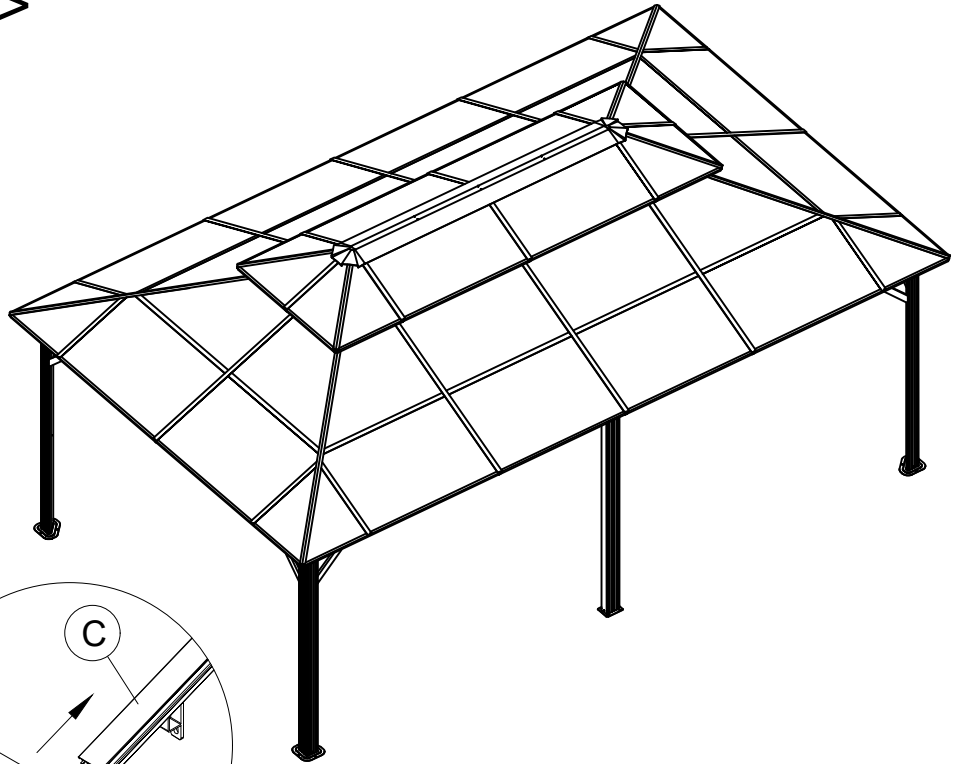


D3 4x



D4 4x

25

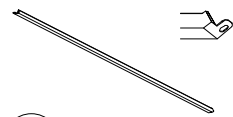




E25 4x



E1 4x



E2 4x



N 4x



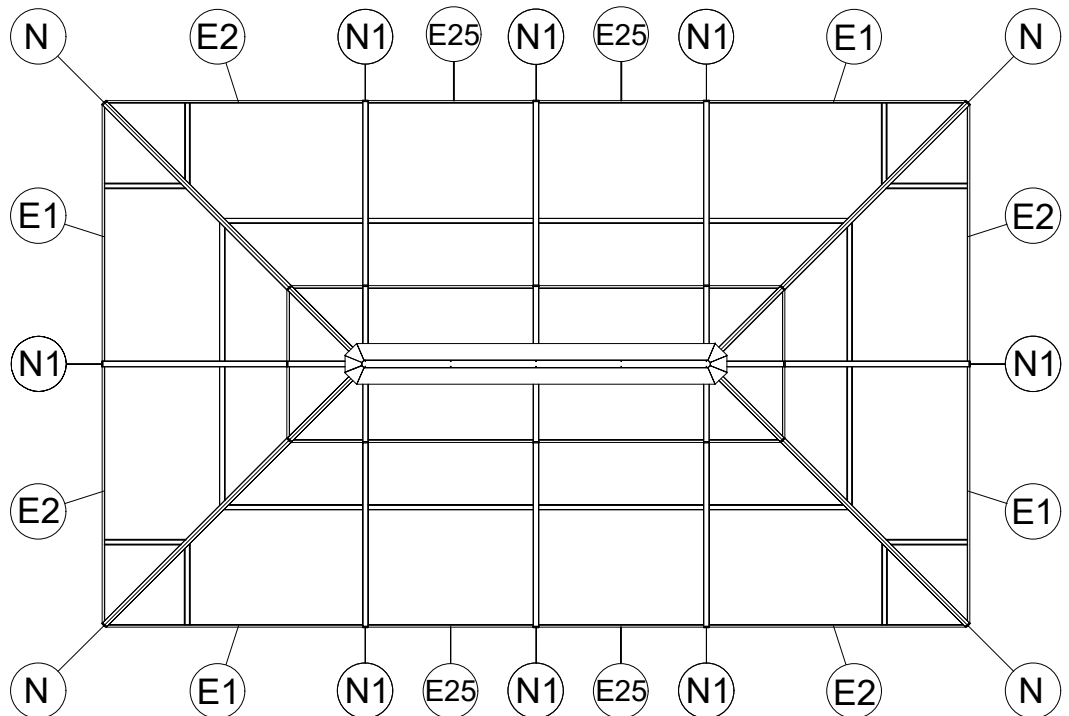
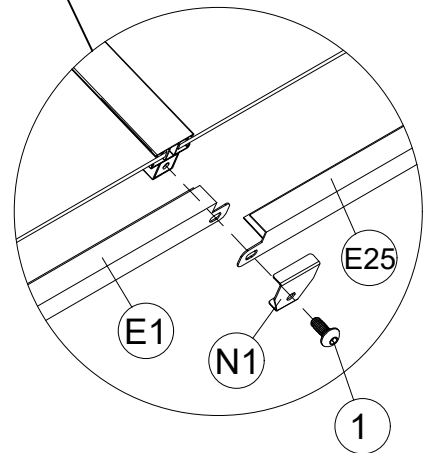
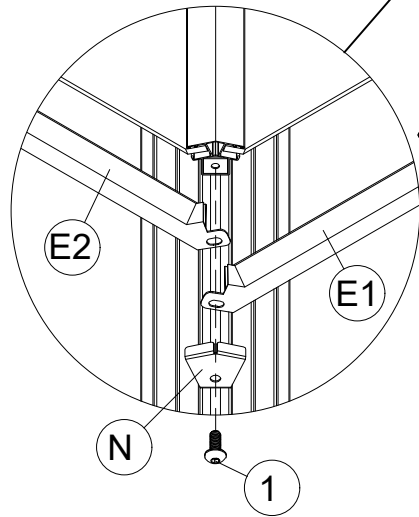
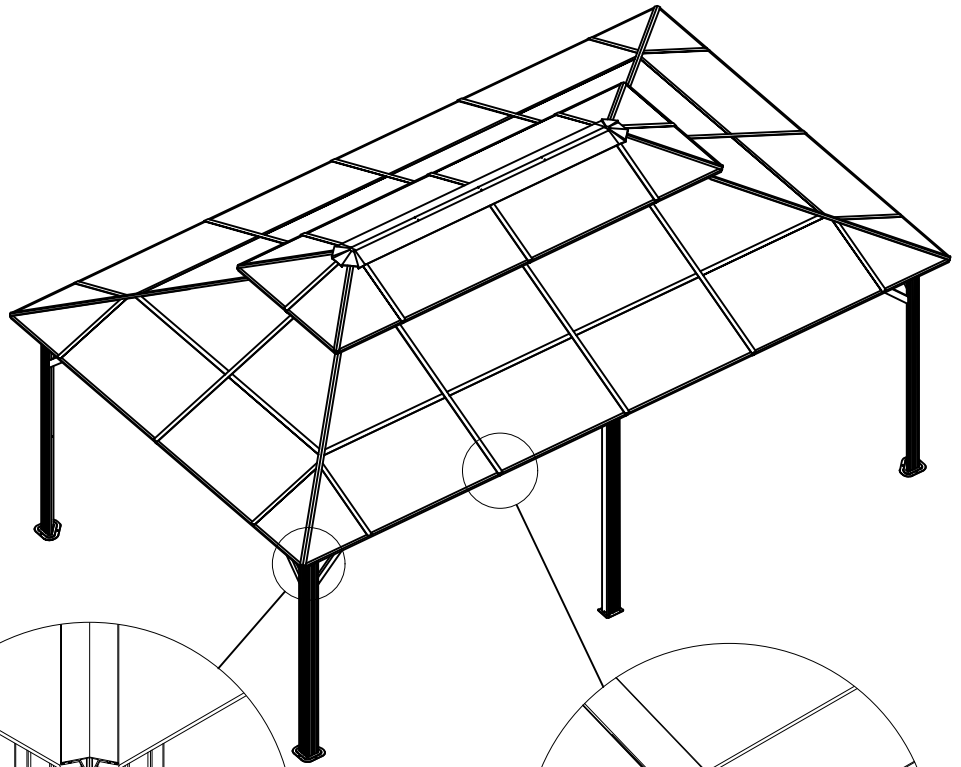
N1 8x



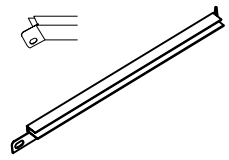
M6x15  
1 12x

26

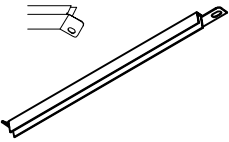
<20>



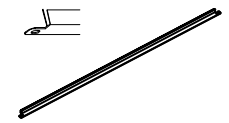
<21>



E22 4x



E23 4x



E24 4x

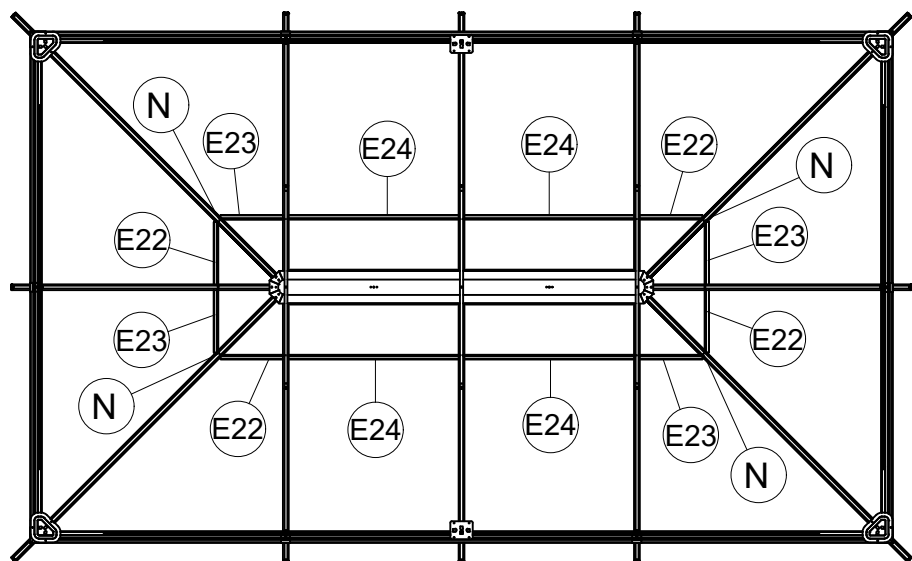
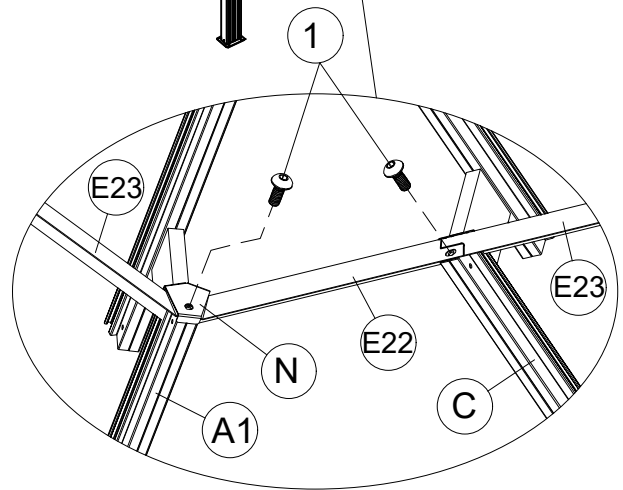
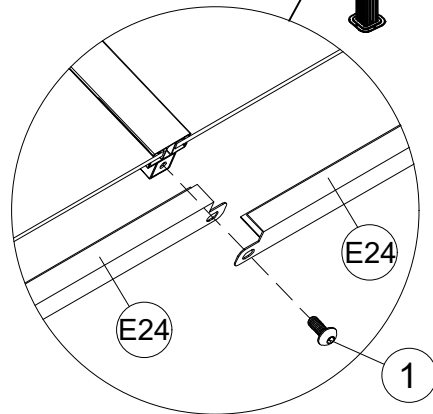
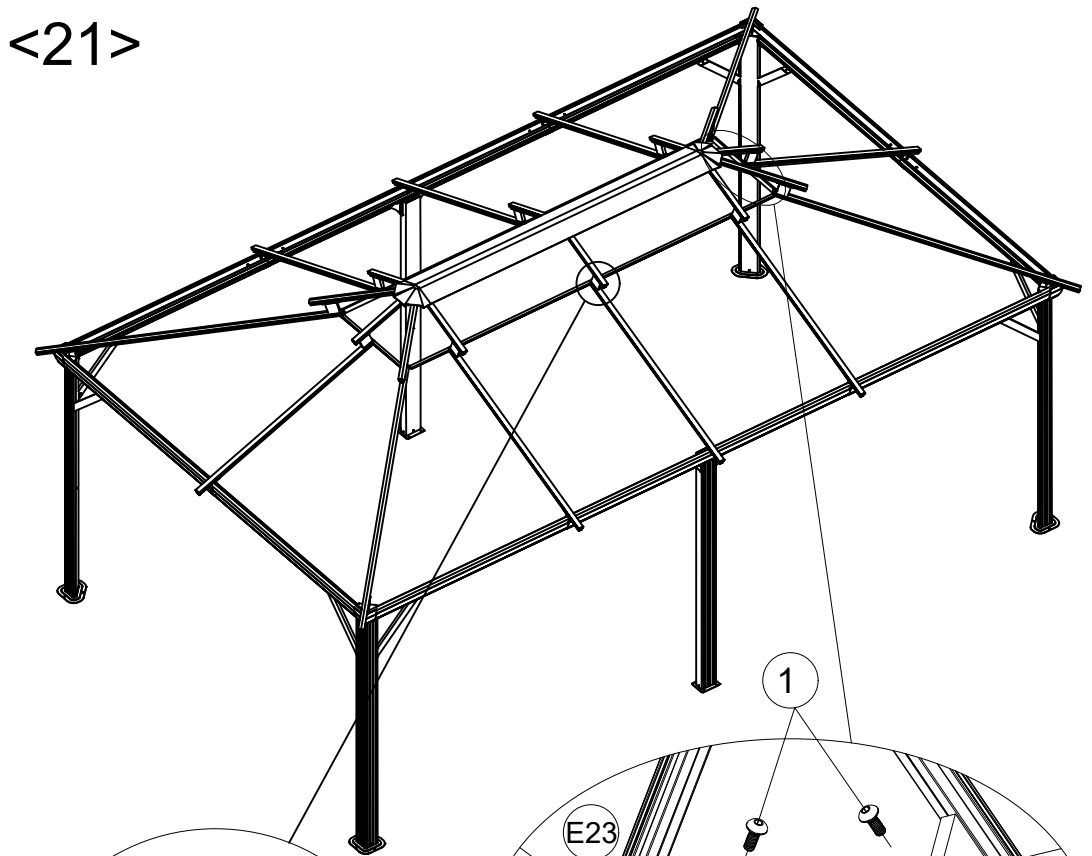


N 4x

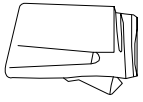


M6x15

1 12x

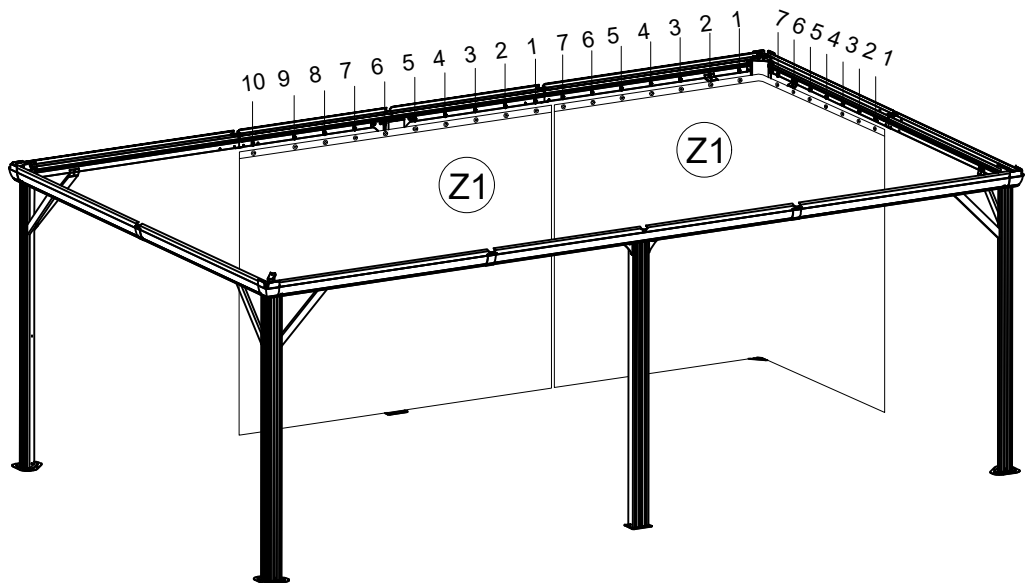
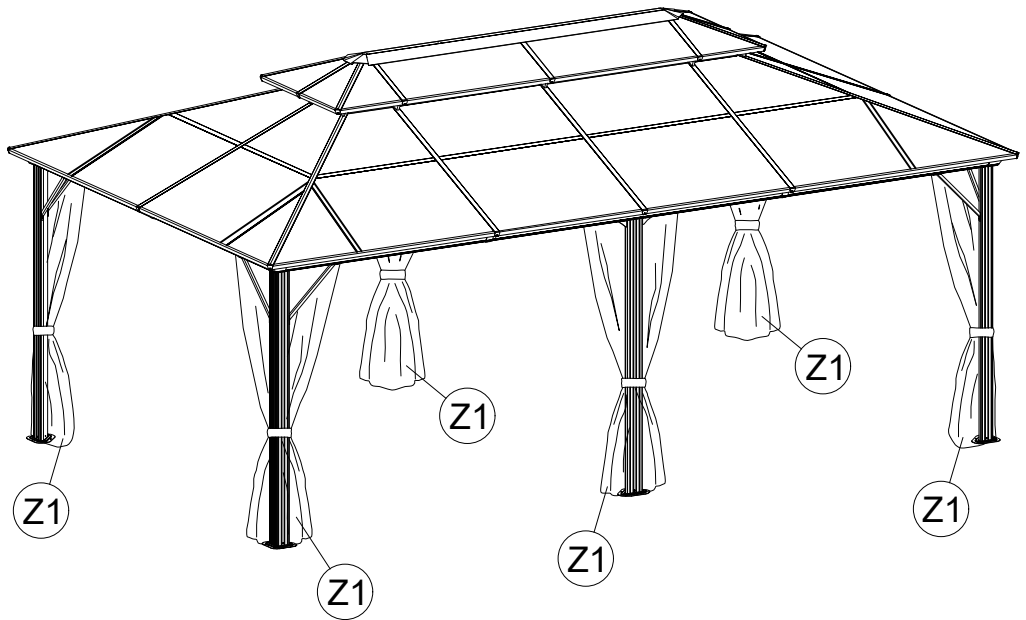
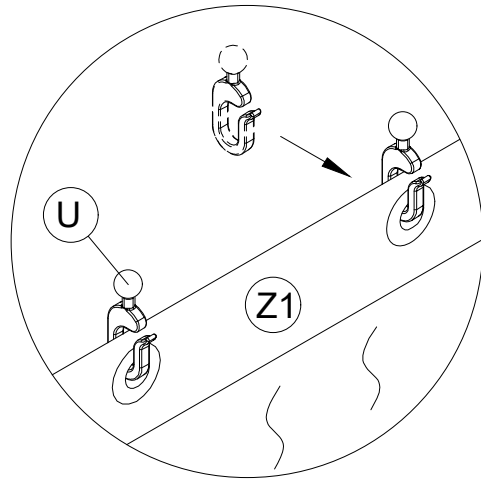
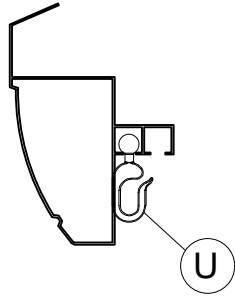


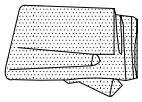
Upward view of the roof



<22>

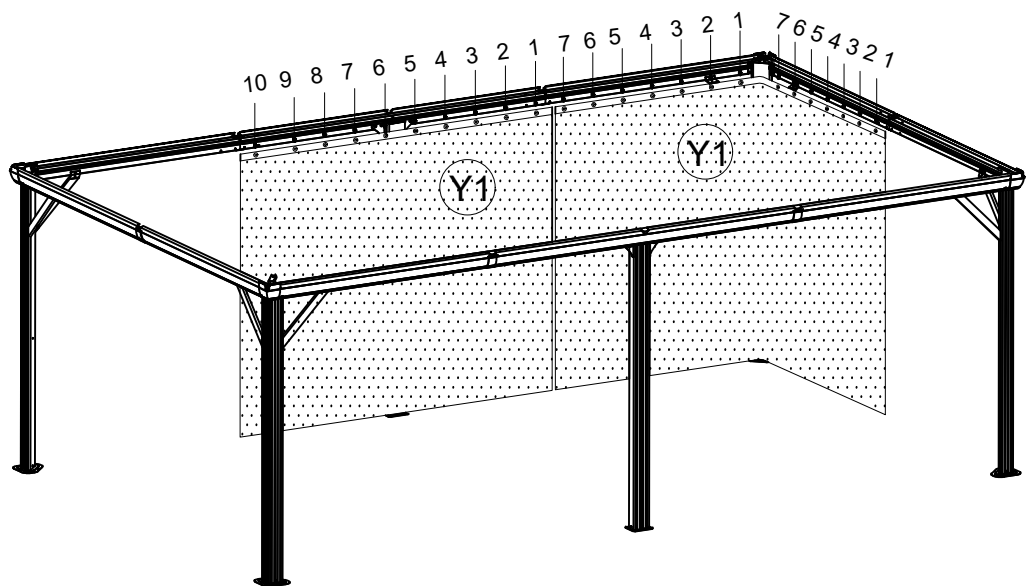
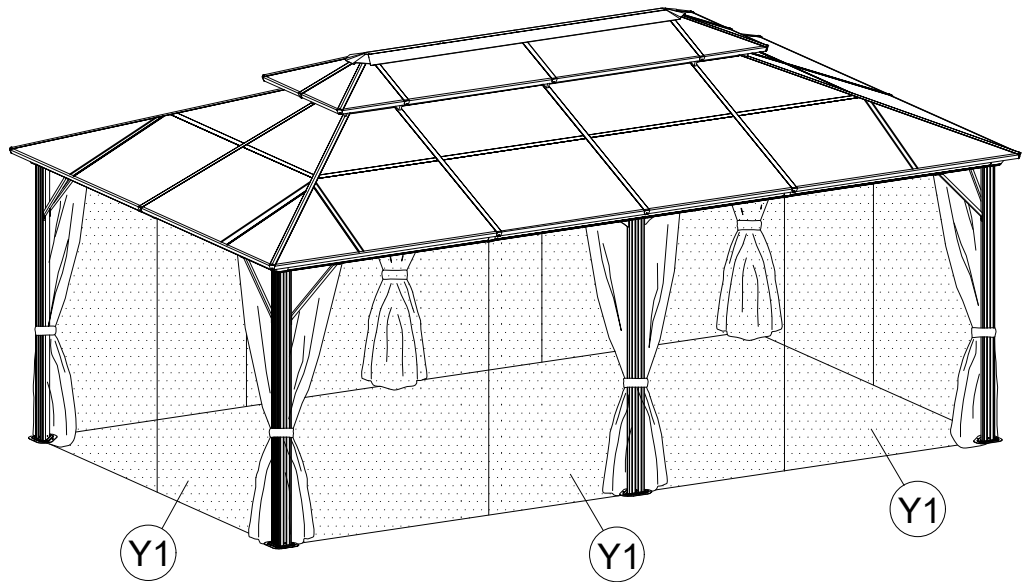
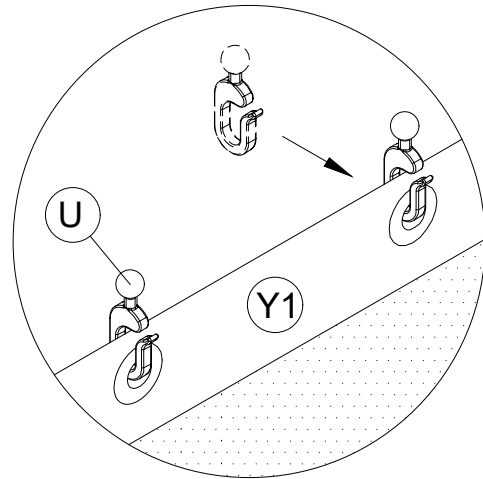
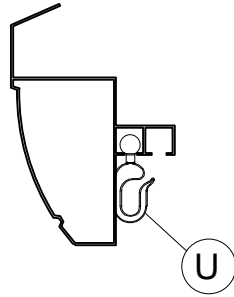
Z1 4x + 2x





<23>

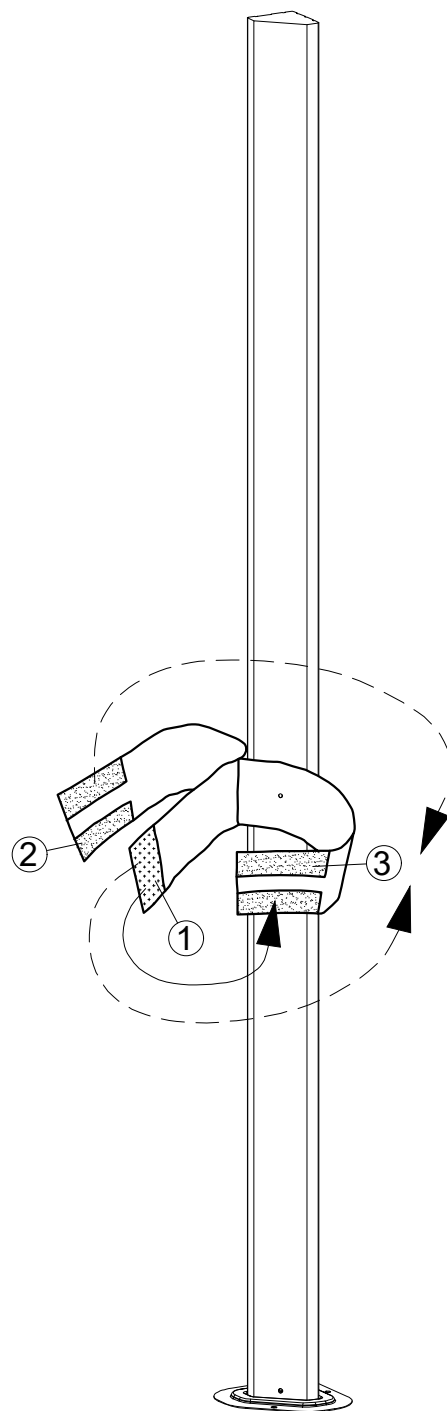
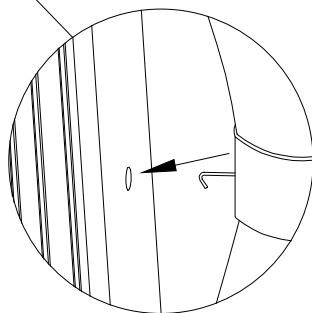
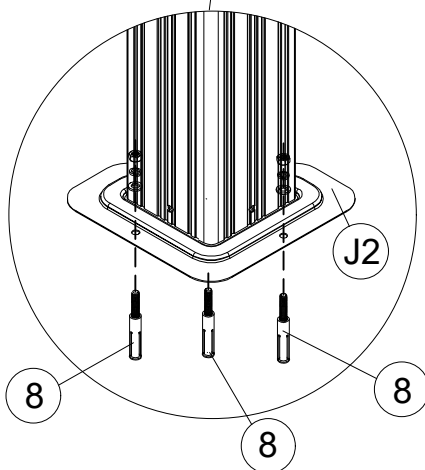
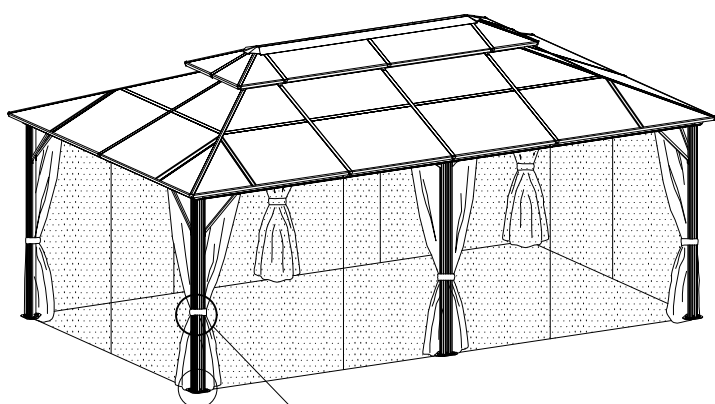
Y1 4x + 2x





<24>

8 18x



Note:

1. 1 stick 2 tie Y1 and Z1 together
2. 1 stick 3 towards back tie Z1
3. 1 stick 3 towards front tie Y1

30