



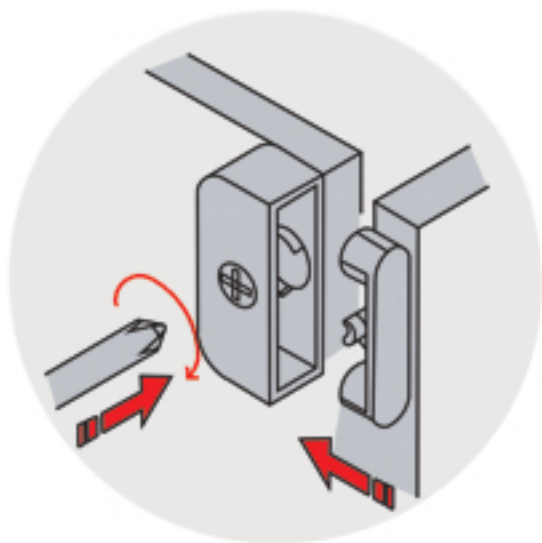
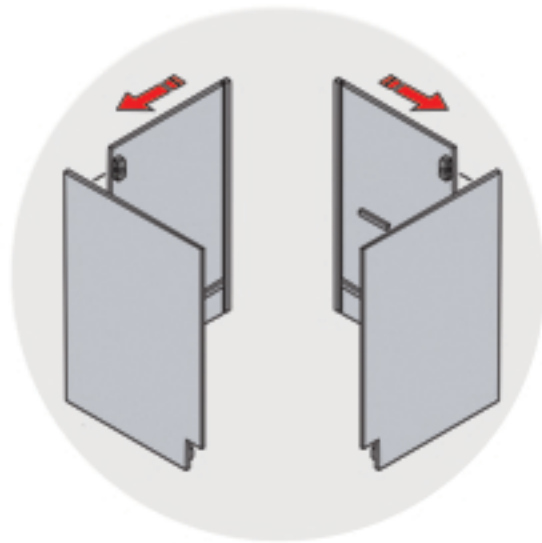


Code	A	B	C	D
Iron				
Number	20PS	10PS	4PS	2PS

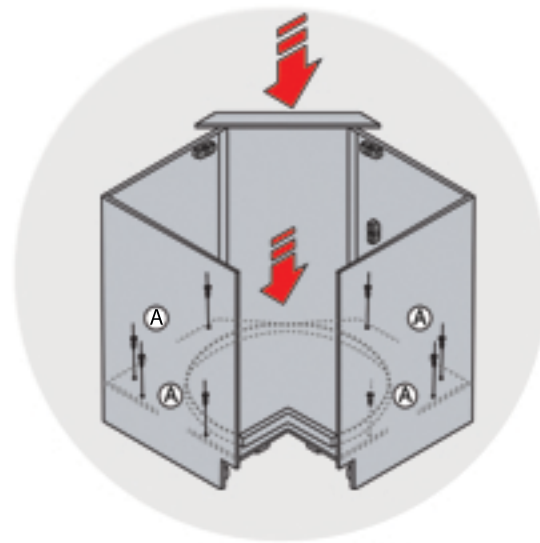
LS33, LS36



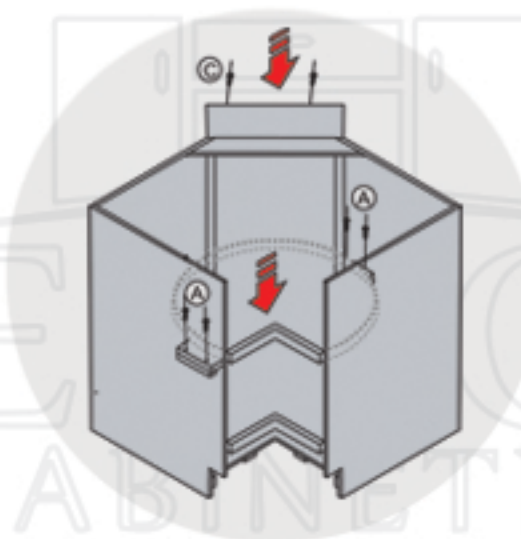
Example



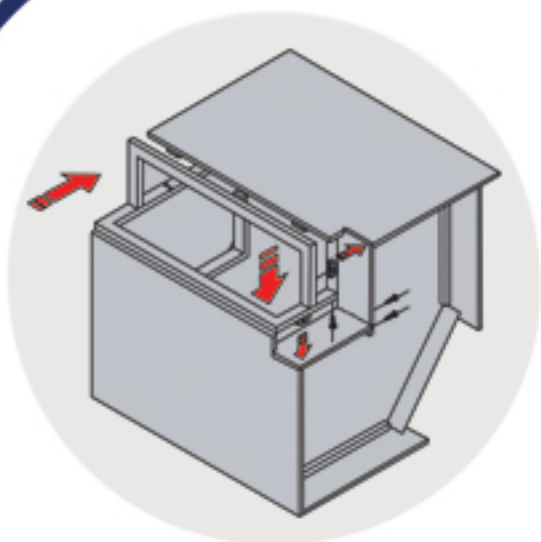
Step 1



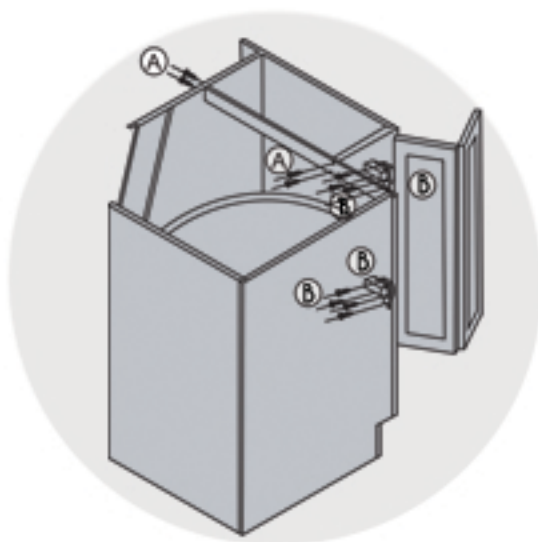
Step 2



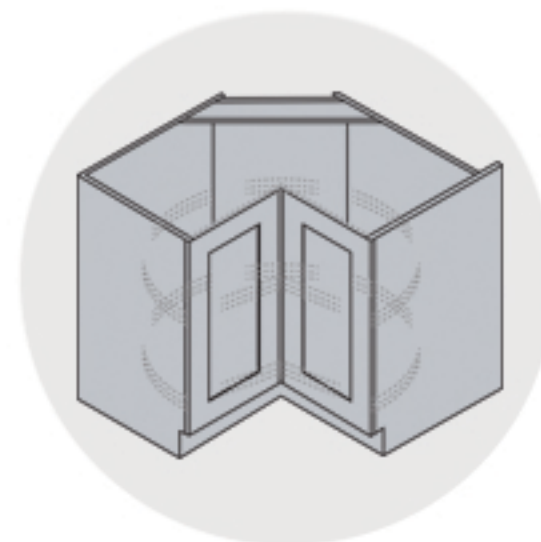
Step 3



Step 4



Step 5



Step 6

