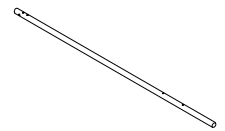
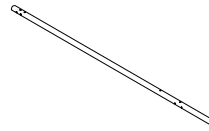
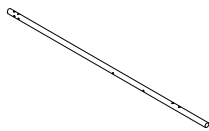
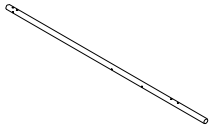


# ASSEMBLY INSTRUCTION

-1(N1) QUEEN METAL CANOPY BED WITH UPHOLSTERED HB/FB

**A** LSF Headboard Post   **B** RSF Headboard Post   **C** LSF Footboard Post   **D** RSF Footboard Post



1PC

1PC

1PC

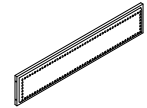
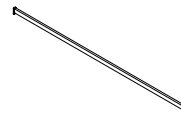
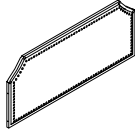
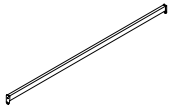
1PC

**E** Short Stretcher

**F** Headboard

**G** Long Stretcher

**H** Footboard



2PCS

1PC

2PCS

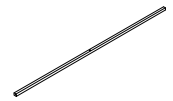
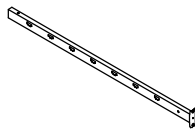
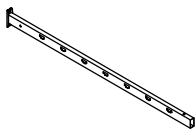
1PC

**I** Front Rail Section

**J** Rear Rail Section

**K** Rail Support Leg

**L** Front / Rear Support Bar



2PCS

2PCS

2PCS

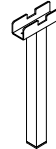
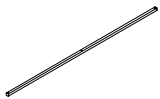
2PCS

**M** Center Support Bar

**N** Center Rail

**O** Center Support Leg

**P** Front / Rear Support Leg



1PC

2PCS

1PC

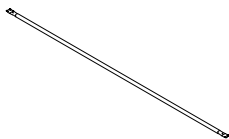
2PCS

**Q** Slat

**R** Slat Connector

**S** Finial

**T** Bolt  
1/4" x 16mm



14PCS

28PCS

4PCS

8PCS

**U** Bolt  
5/16" x 19mm

**V** Bolt  
1/4" x 55mm

**W** Bolt  
5/16" x 55mm

**X** Bolt  
5/16" x 48mm



8PCS

8PCS

10PCS

5PCS

**Y** Bolt  
1/4" x 35mm

**Z** Bolt  
5/16" x 34mm

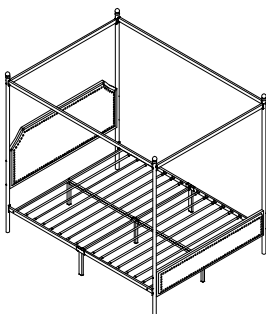
**AA** L-Allen Key  
4mm



6PCS

2PCS

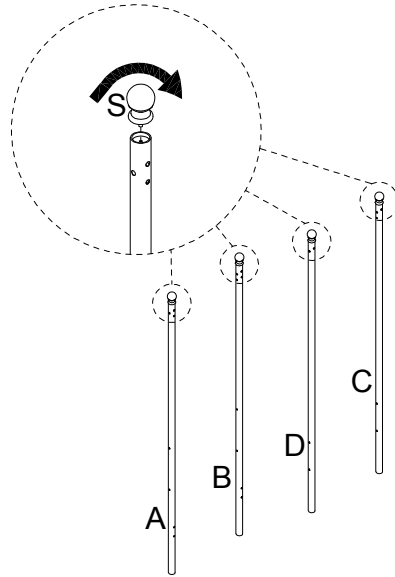
1PC



This page lists all the contents included in the box. Please take the time to identify the hardware as well as the individual components to this product. As you unpack and prepare for assembly, place the contents on a carpeted or padded area to protect them from damage.

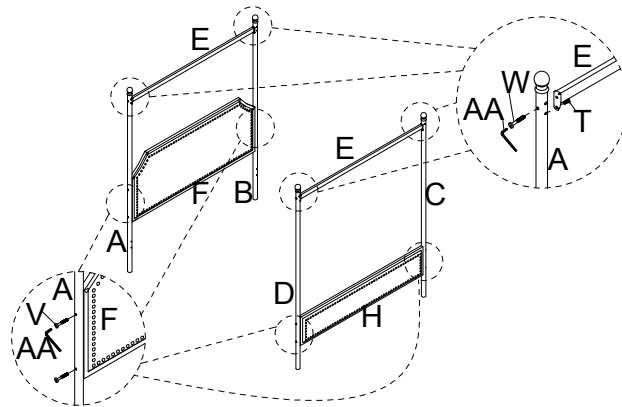
1

Attach Finial (S) to Posts (A, B, C & D) by turning clockwise.



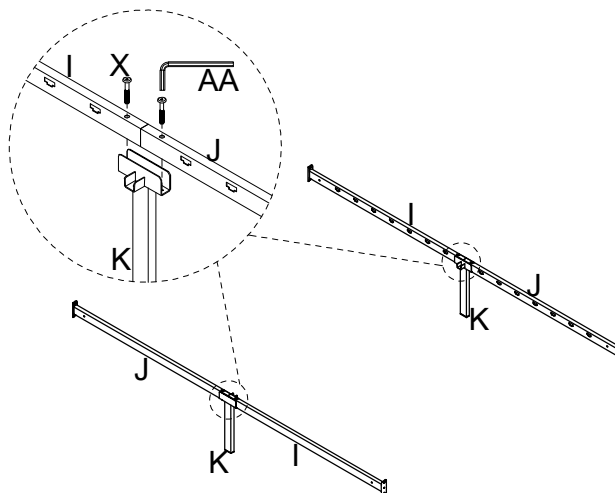
2

Attach Headboard (F) to LSF & RSF Headboard Post (A & B) and Footboard (H) to LSF & RSF Footboard Post (C & D) using Bolt (V) with L-Allen Key (AA). Then attach Short Stretcher (E) to Posts (A, B, C & D) using Bolt (W & T) with L-Allen Key (AA).



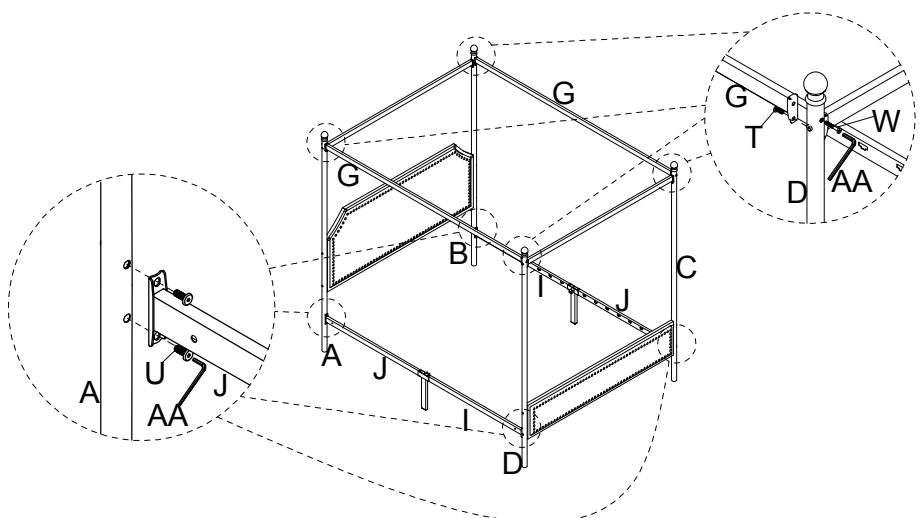
3

Attach Rail Support Leg (K) to Front & Rear Rail Section (I & J) using Bolt (X) with L-Allen Key (AA).

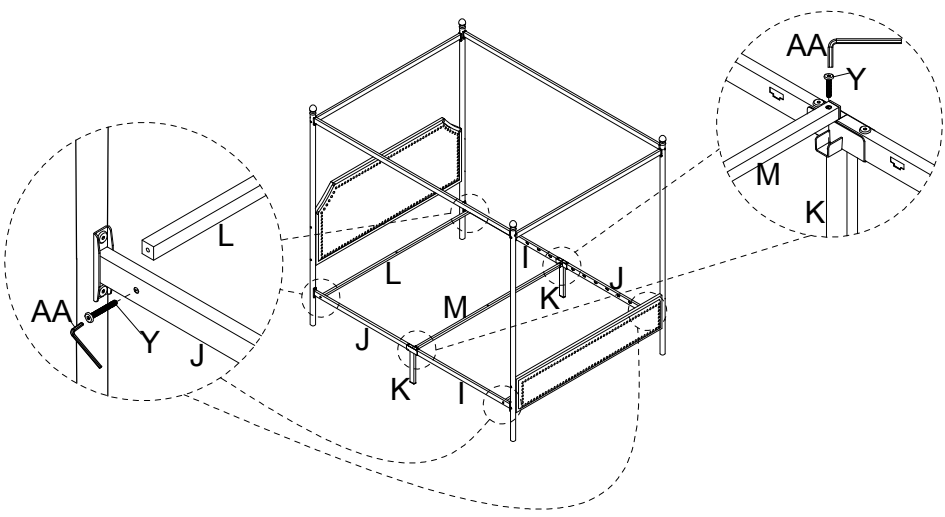


**4**

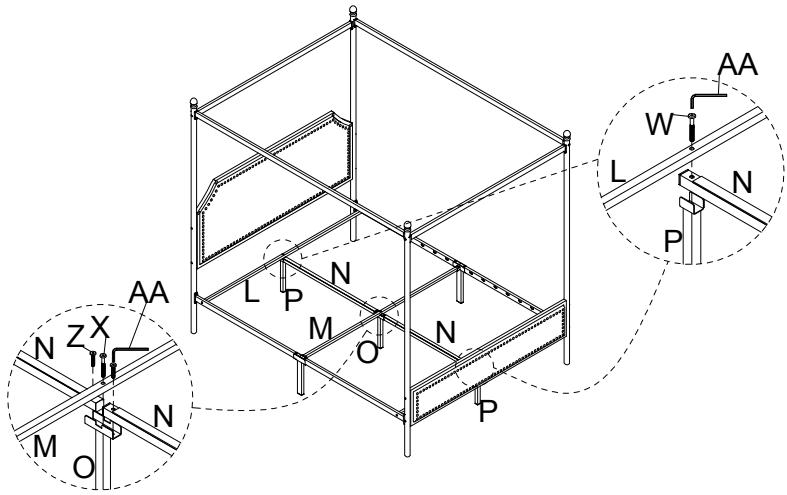
Attach Front & Rear Rail Section (I & J) to Posts (A, B, C & D) using Bolt (U) with L-Allen Key (AA). Then attach Long Stretcher (G) to Posts (A, B, C & D) using Bolt (W & T) with L-Allen Key (AA).

**5**

Attach Front / Rear Support Bar (L) to Front & Rear Rail Section (I & J) using Bolt (Y) with L-Allen Key (AA). Then attach Center Support Bar (M) to Rail Support Leg (K) using Bolt (Y) with L-Allen Key (AA).

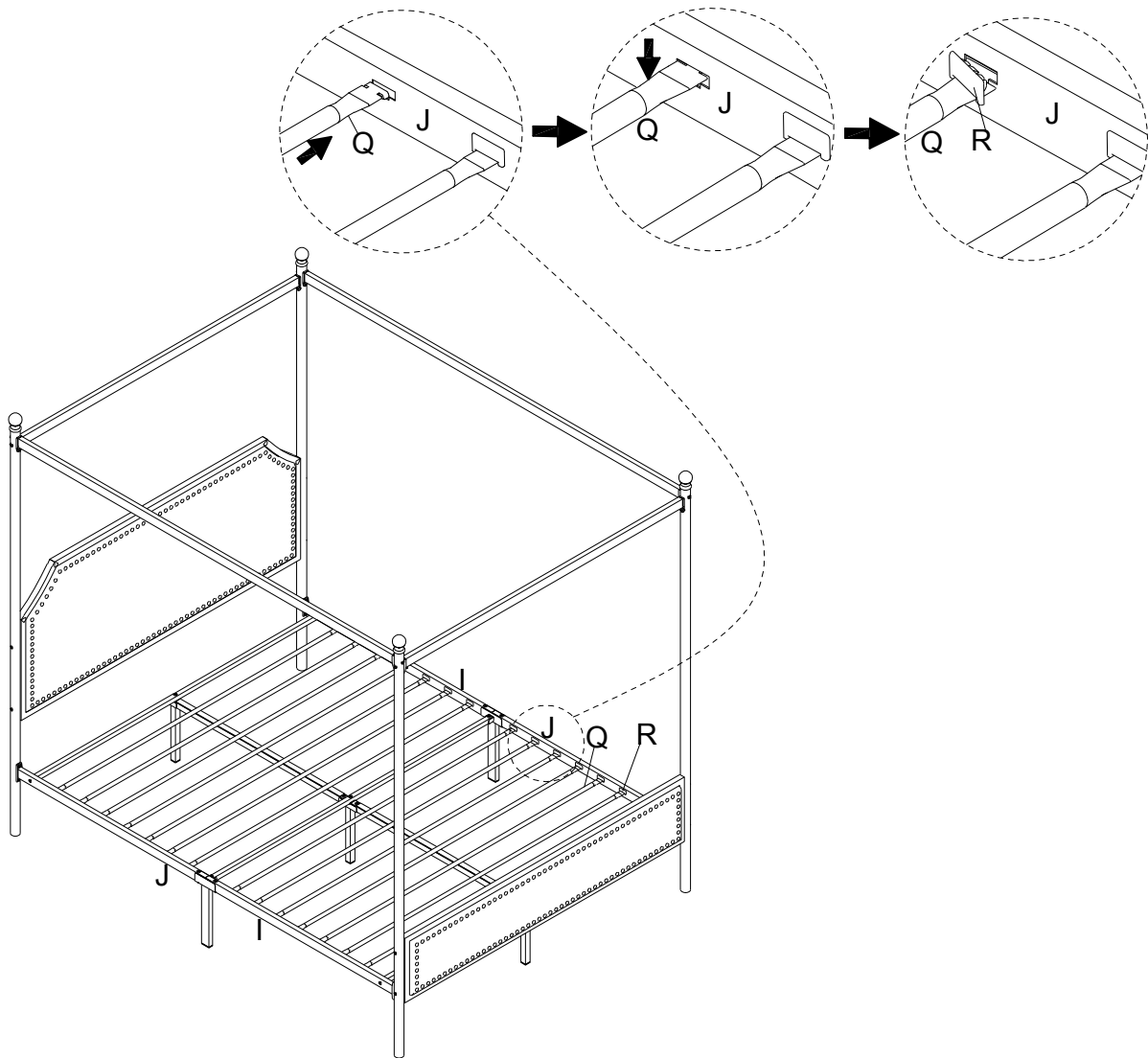
**6**

Attach Center Rail (N) and Front / Rear Support Leg (P) to Front / Rear Support Bar (L) using Bolt (W) with L-Allen Key (AA). Then attach Center Support Leg (O) to Center Rail (N) and Center Support Bar (M) using Bolt (Z & X) with L-Allen Key (AA).



**7**

Insert Slat (Q) into Front & Rear Rail Section (I & J) as shown. Then lock Slat Connector (R) to fix Slat (Q).



## Cleaning & Care

Treat surfaces with care. Surfaces are resistant to scratches but are not scratch resistant. Clean surfaces with a dry or damp soft cloth. Do not use abrasive cleaners. Hardware may loosen over time. Periodically check that all connections are tight.