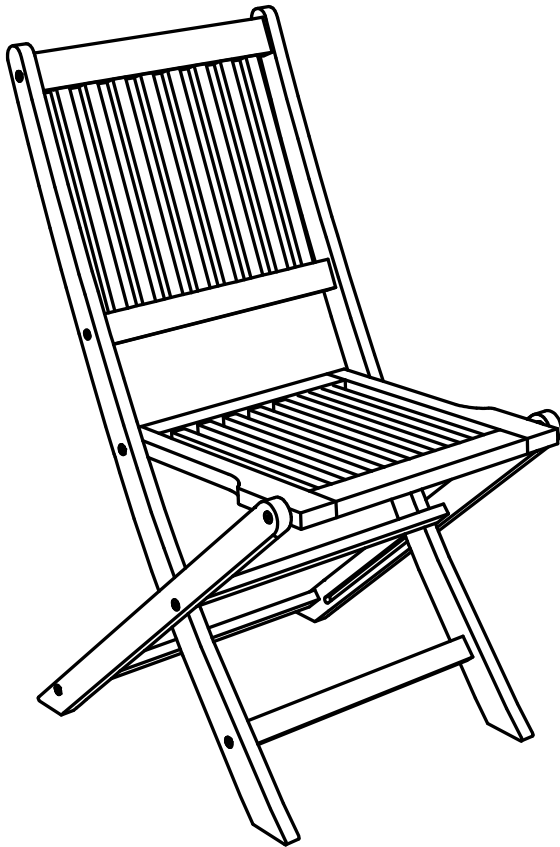


Instruction Manual

Ashby Wooden Folding Chairs x 2



CONTENTS

Safety and care advice	1
Components	2
Assembly instructions	4

⚠ SAFETY AND CARE ADVICE ⚠

PLEASE READ THESE INSTRUCTIONS CAREFULLY AND KEEP FOR FUTURE REFERENCE

- **Warning:** Please lift with care.
- Check you have all the components and tools listed on pages 2 and 3.
- Remove all fittings from the plastic bags and separate them into their groups.
- Keep children and animals away from the work area, small parts could choke if swallowed.
- Make sure you have enough space to lay out the parts before starting.
- Do not stand or put weight on the product, this could cause damage.
- Assemble the item as close to its final position (in the same room) as possible.

- Assemble on a soft level surface to avoid damaging the unit or your floor (use opened out unit carton).



- We do not recommend the use of power drill/drivers **for inserting screws**, as this could damage the unit. Only use hand screwdrivers.
- Dispose of all packaging carefully and responsibly.

CARE AND MAINTENANCE

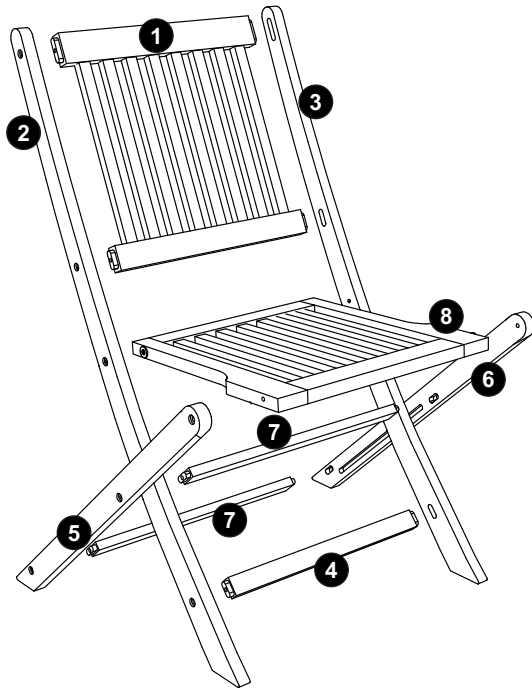
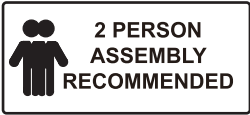
- Only clean using a damp cloth and mild detergent, do not use bleach or abrasive cleaners.
- From time to time check that there are no loose screws on this unit.

- This product should not be discarded with household waste. Take to your local authority waste disposal center.

Note *If required the next page can be cut out and used as reference throughout the assembly. Keep this page with these instructions for future reference.*

COMPONENTS

Please check you have all the panels listed below:

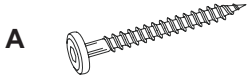


1. Backrest	x 1	6. Front leg 2	x 1
2. Back leg 1	x 1	7. Leg stretcher 2	x 2
3. Back leg 2	x 1	8. Seat	x 1
4. Leg stretcher 1	x 1		
5. Front leg 1	x 1		



COMPONENTS

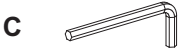
Please check you have all the fittings listed below:



Screw ($\Phi 7 \times 60 \text{mm}$) x 14



Washers ($\Phi 8 / 18 \times 2 \text{mm}$) x 6





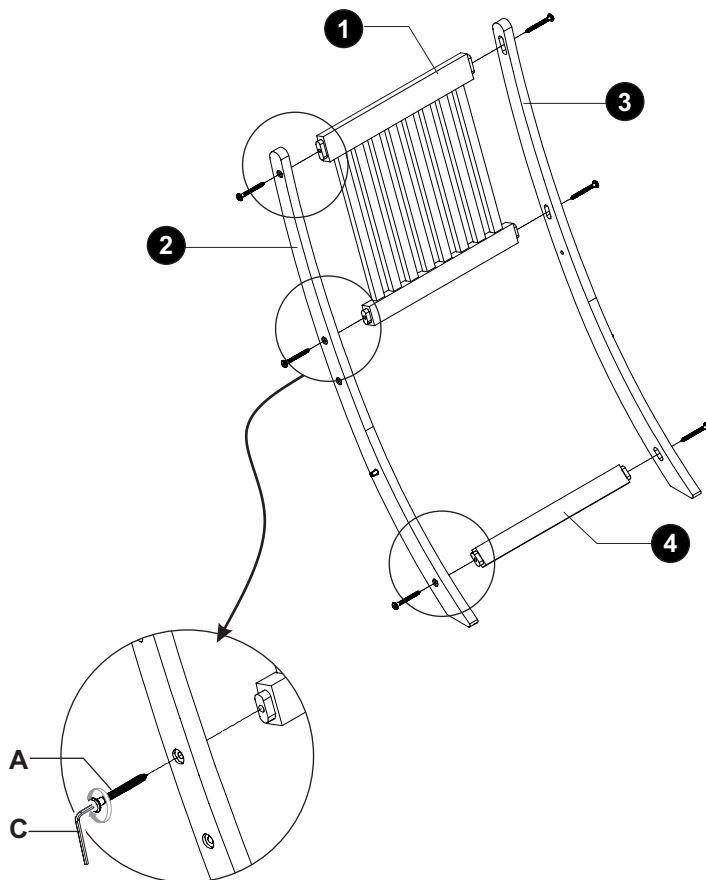
Allen key x 1



ASSEMBLY INSTRUCTIONS



Step 1

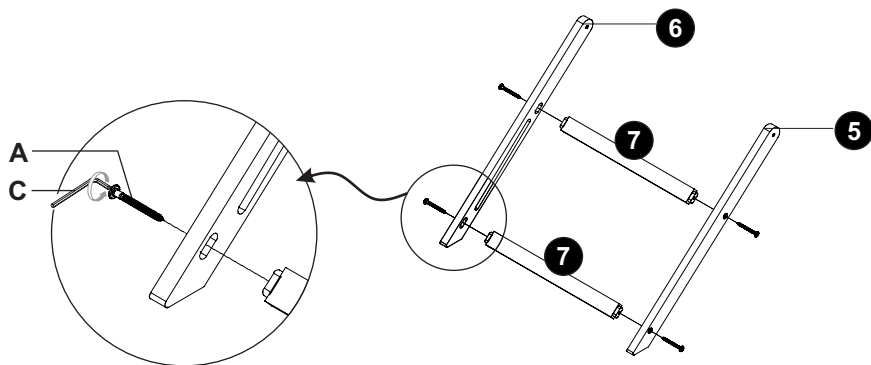
A		6	
C		1	






ASSEMBLY INSTRUCTIONS

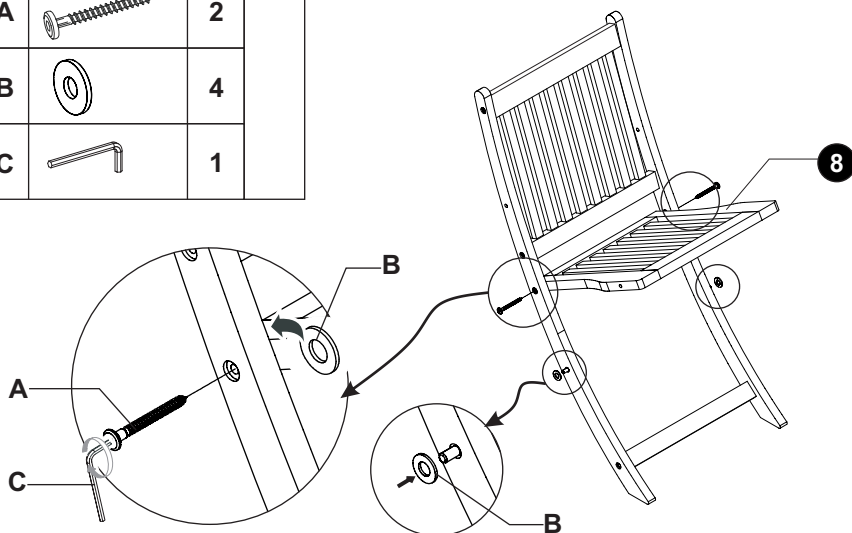
Step 2

A		4	
C		1	



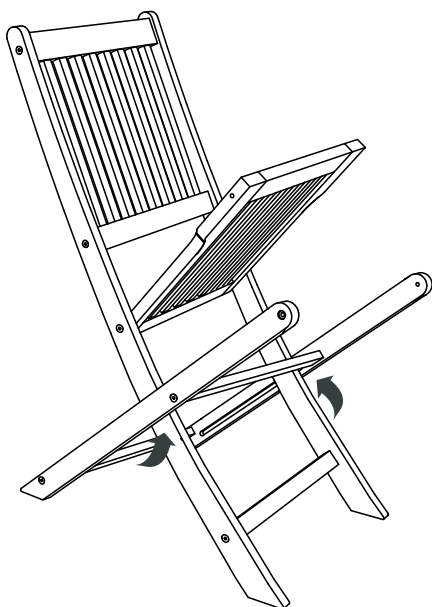
Step 3

A		2	
B		4	
C		1	






ASSEMBLY INSTRUCTIONS

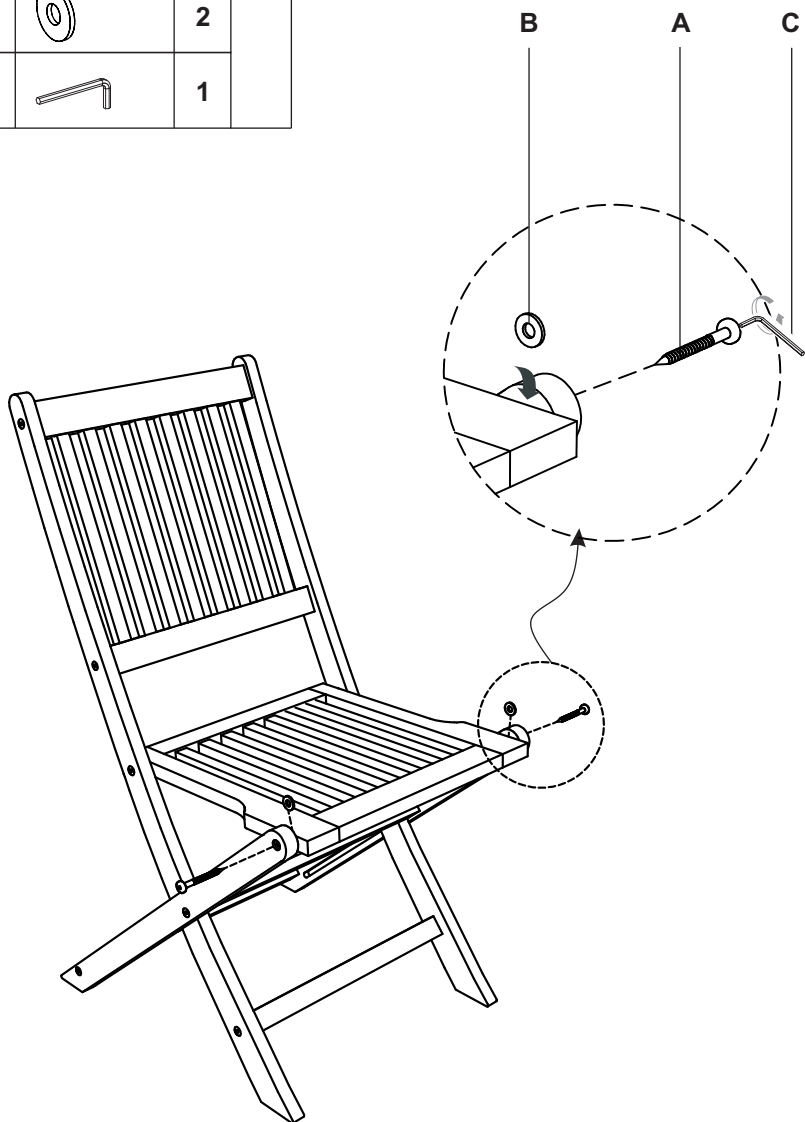
Step 4



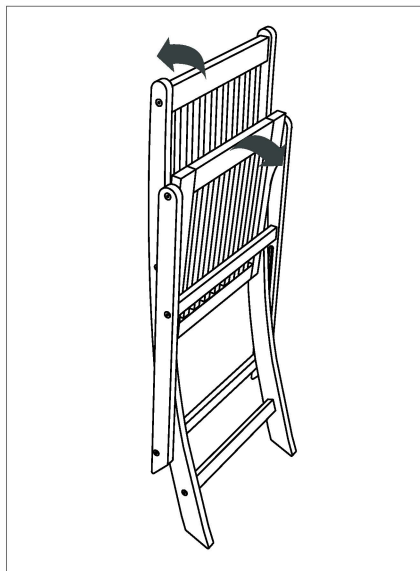
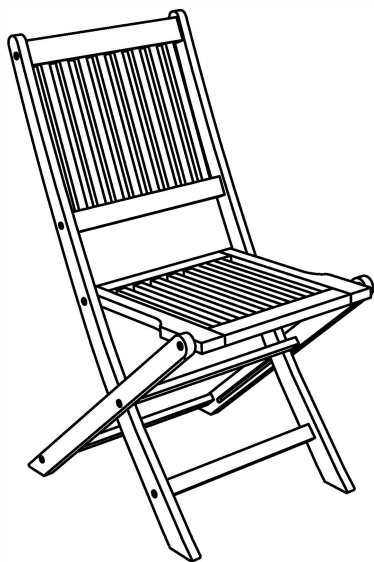
ASSEMBLY INSTRUCTIONS

Step 5

A		2
B		2
C		1



ASSEMBLY INSTRUCTIONS



Congratulations! Now you have finished assembling the product.