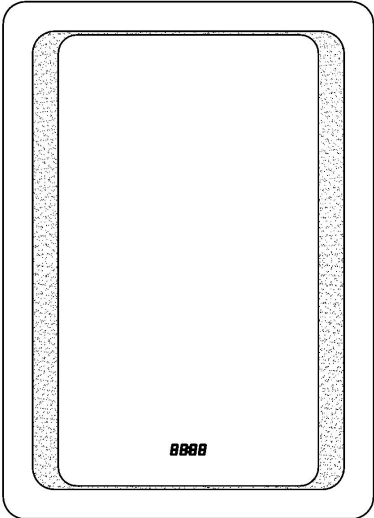
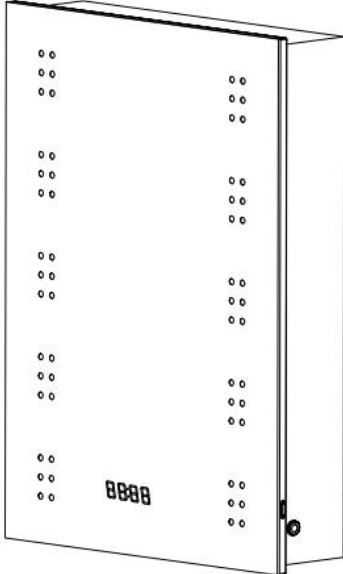


Installation Manual



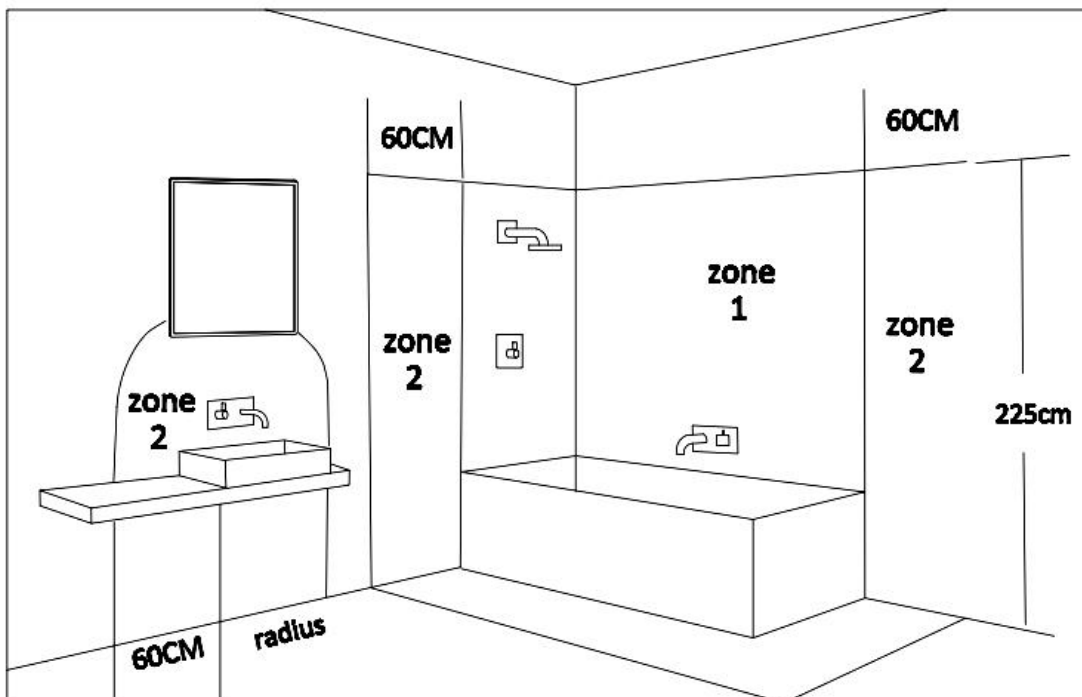
INSTALLATION MANUAL



- *PLEASE READ ALL MANUAL INSTRUCTION CAREFULLY BEFORE INSTALLATION.
- *INSTALLATION SHOULD BE CARRIED OUT BY A QUALIFIED ELECTRICIAN.
- *PLEASE ENSURE THAT YOUR MAINS ELECTRICITY SUPPLY IS ISOLATED BEFORE COMMENCING INSTALLATION.

IMPORTANT FOR INSTALLATION IN BATHROOM

- This product can be installed in bathroom zone 2 (as defined by IEE Wiring Regulations) and beyond. See bathroom diagram below:



OUTSIDE ZONES

- This product is for in door use only.
- This product requires an earth connection.
- This product is Wall Mounted and must be fixed on a solid wall, composite panel or Timber frame.
- Ensure connection are turned off at the consumer unit or fuse board before installing or carrying out any maintenance.
- Please reserve minimum distance of 150 mm between the infrared sensor and an adjacent countertop or obstruction or any other barrier to ensure correct function of the sensor switch. (For models with sensor switches)

- When working at height, please use a suitable platform to work from.
- Ensure that the fixing location is able to take the weight of the complete fitting.
- Wear suitable eye protection when drilling. Be careful when using power tools near water.
- For new installations, check for any electrical cables or pipe work (gas/water) in the vicinity of the intended mounting point before proceeding with the installation.
- For ease of installation, the assistance of one or two additional persons is recommended.
- Irregularities in wall surface may cause distortion of product body when mounted. Place shims between product body and wall if necessary.

IMPORTANT FOR MIRROR:

- DO NOT strike the mirror glass with hard or pointed items.
- It is recommended that the product is cleaned with a soft, dry, not abrasive cloth.
- DO NOT use cleaning agents or abrasive materials on any type of finished surface or exposed edges of the mirror.
- DO NOT use cleaners that contain solutions of ammonia, vinegar, or chlorine.
- DO NOT allow moisture to come into contact with the electrical components.
- DO NOT use powdered cleansers or steel wool.
- Apply cleaner to soft cloth and wipe mirror. Dry mirror thoroughly.
- Keep mirror and the back box body or cabinet body dry.
- A well ventilated bathroom is important.

This Bathroom Mirror / Cabinet is not available in the following situations:

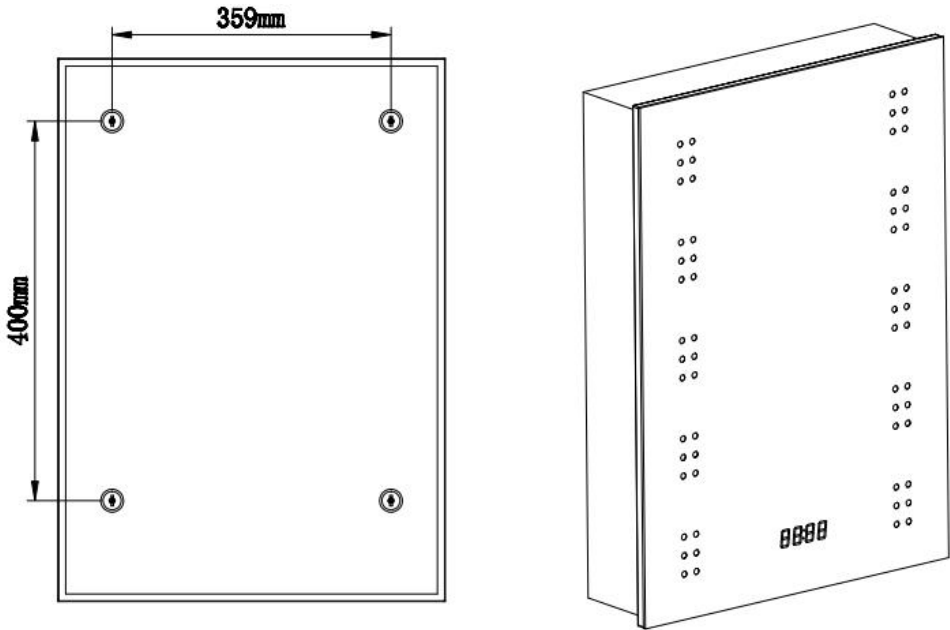
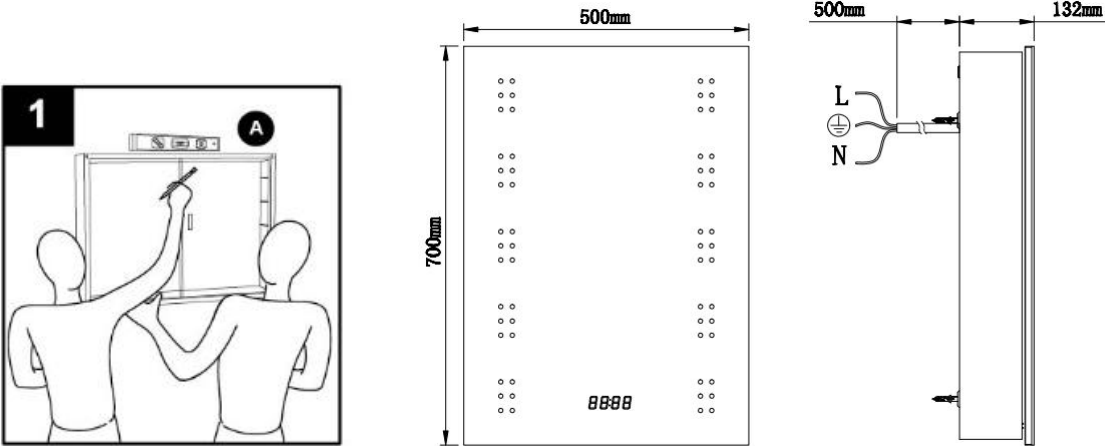
- Incorrect use.
- Incorrect installation or installation.
- Tampering
- Incorrect maintenance or lack of maintenance.
- Use of unsuitable cleaning products or use of cleaning products in the wrong way.
- For chemical, electrical or electrochemical damage.
- Incorrect power connection or using wrong voltage.
- Damage by hard or pointed objects.
- Please keep this manual for future reference.

To prevent possible harm to the environment or human health from uncontrolled waste disposal, please separate any such product from other waste types and recycle it responsibly at your local facilities. Please check with your local authority, recycling center or retailer for recycling advice. Thank you.

Installation Guidelines

1. Positioning

Please measure the height and position of the mirror/cabinet on the wall. Ensure the mounting plate is level using a spirit-level, then mark the position of the holes with a pencil.

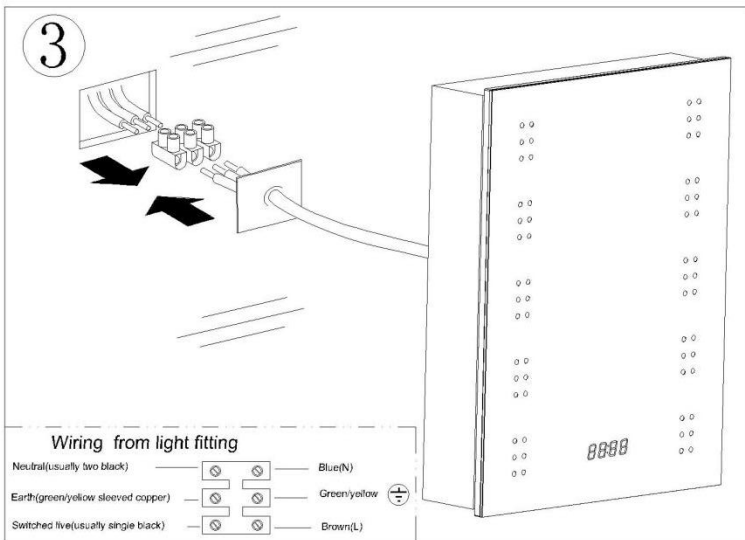
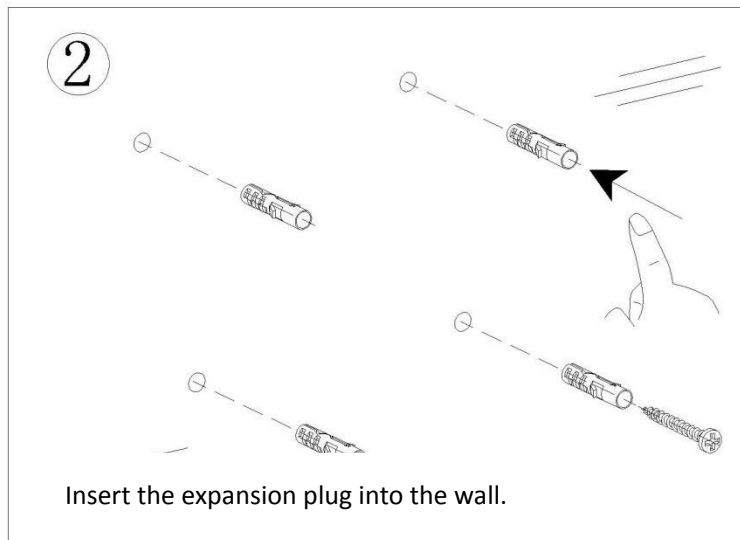
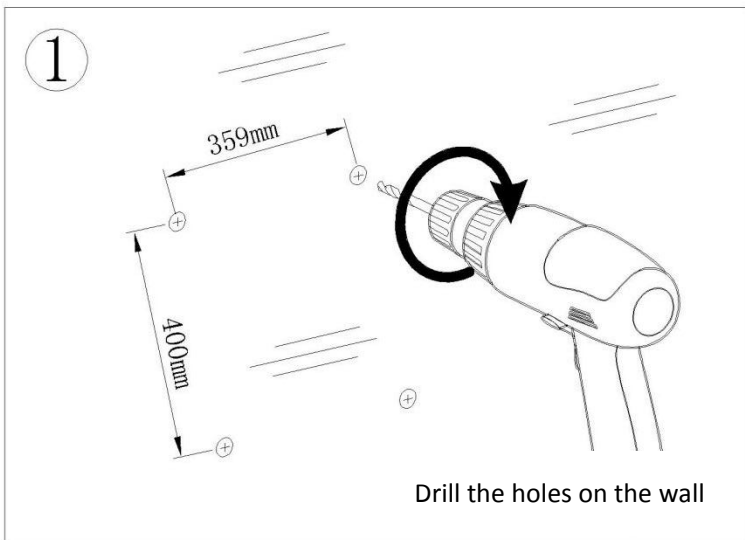


C. Sensor Switch

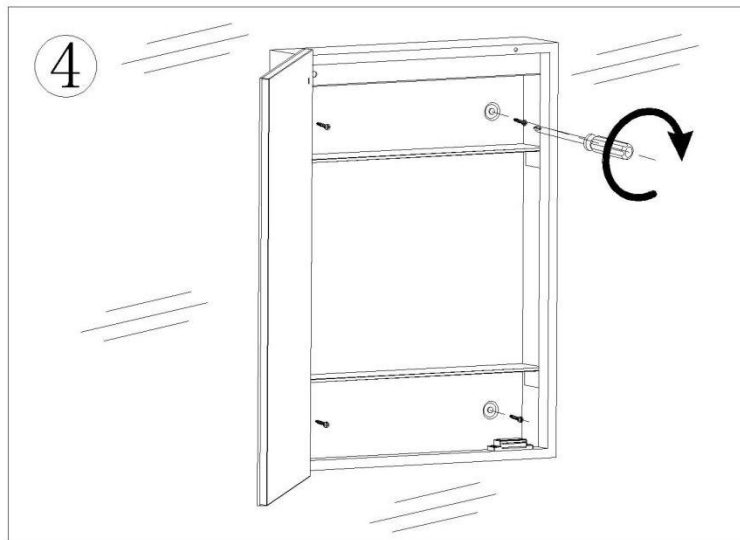
Please reserve at least 150 mm distance from the wall at the side of the sensor switch!
(More space may need to reserved for different wall surfaces, depending on the on-site condition.)

2. Fixing on wall

After marking the positions on the wall, loose the screws on both sides of the chassis to release the front mirror from the chassis. And do as per the following picture instruction.

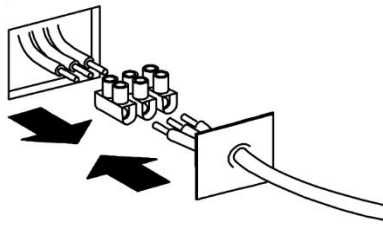


Do as per the Point 3 instruction with the wire connection.

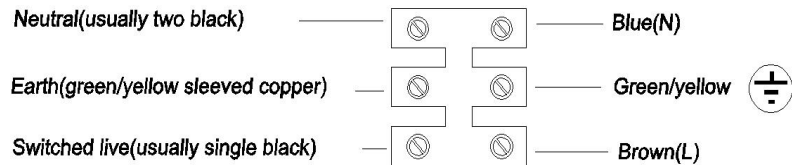


3. Wiring from light fitting

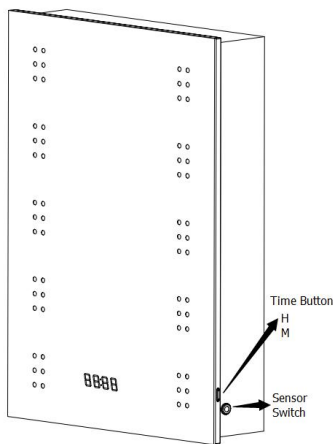
Connect the wiring from the back of the chassis in right way.



Wiring from light fitting



4. Operation Instruction of Time Display



Time Display Button: on the right side of the mirror cabinet with two buttons. One is H for hour setting, and one is M for minute setting.

4.1 Long press button H for two seconds, the two figures of the left will be flashing. Click on the button H to adjust the hour figure during 00 to 23. After stop clicking for 3 seconds, the hour figure will be set.

4.2 Long press button M for 2 second, the two figures of the right will be flashing. Click on the button M to adjust the minute figure during 00 to 59. After stop clicking for 3 seconds, the hour figure will be set. The whole time display finish setting.

4.3 The clock/time function keep running when the lighting is off. It might need to be reset after power-off for 40 days. Or to reset the clock/time when needed.

5. Shaver Socket

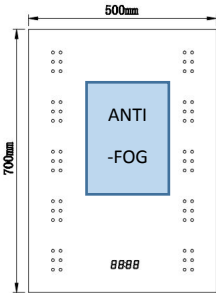
VOLTAGE: 230-240V

When the mirror is energized, pull up the cover and insert your shaver into the shaver socket. Pay attention to electrical safety when using shaver socket. After using socket, please remove it in time and make sure the socket cover is closed.

6. Sensor switch of LED Lighting

The LED light switch of the mirror is controlled by the hand movement over the switch in the effective working range to turn on and off. The sensitivity of the switch may be affected by the actual working environment and personal habits. Please try some more times to master the appropriate hand movement over the switch.

7. Anti-fog Function



By waving over the sensor switch, the LED lighting and the anti-fog function will be on/off accordingly. The demister takes at least 5-10 minutes to get rid of fog after the LED light is on. Please turn the LED on at least 5 minutes in advance before using the anti-fog function or as per your needs.

