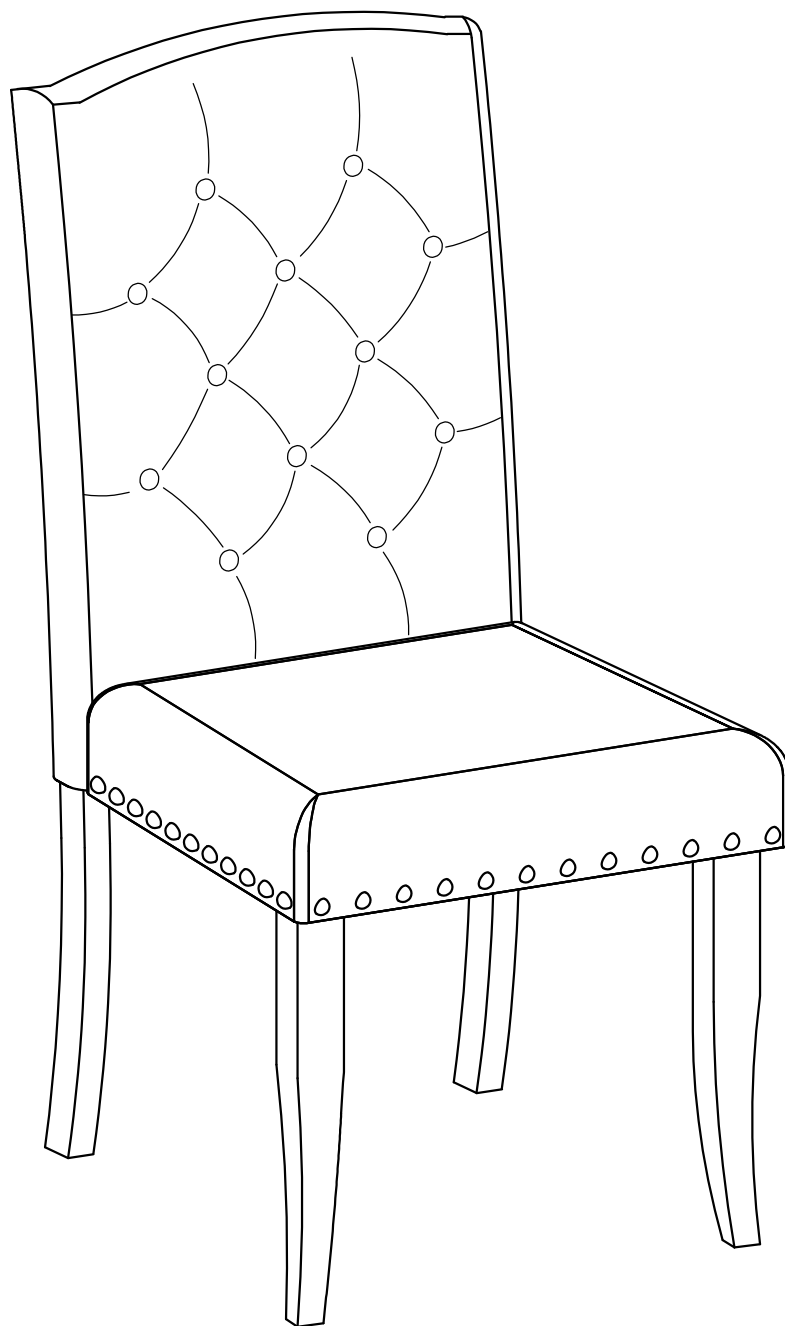


# ASSEMBLY INSTRUCTION

## Dining Chair



# ASSEMBLY INSTRUCTION

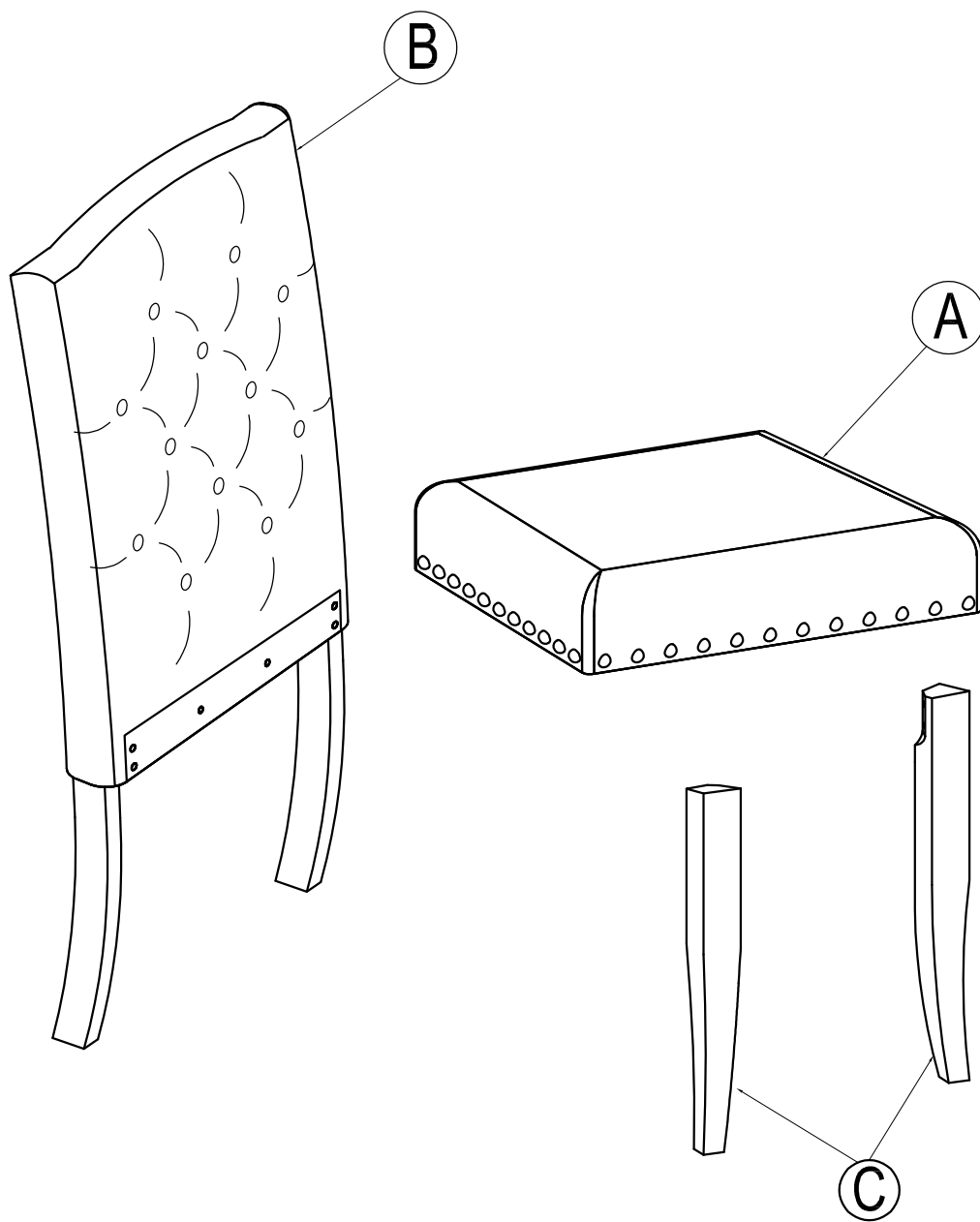
Please read these instructions fully before starting assembly:

1. Place all wooden parts on a clean and smooth surface such as a rug or carpet to avoid scratching the parts.
2. Kindly follow the assembly instructions step by step.
3. Do not tighten all screws and bolts until the table is fully assembled.
4. Unscrew the protective plastique supports from the metal insert of the table legs before assembly.
5. Parts of the assembly will be easier with 2 people.

Care and maintenance:

Only clean using a damp cloth and mild detergent, do not use bleach or abrasive cleaners.

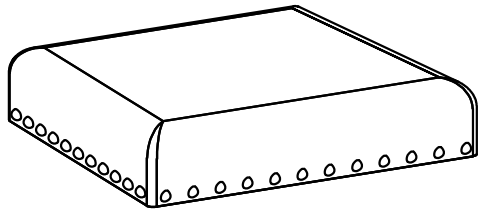
# ASSEMBLY INSTRUCTION



# ASSEMBLY INSTRUCTION

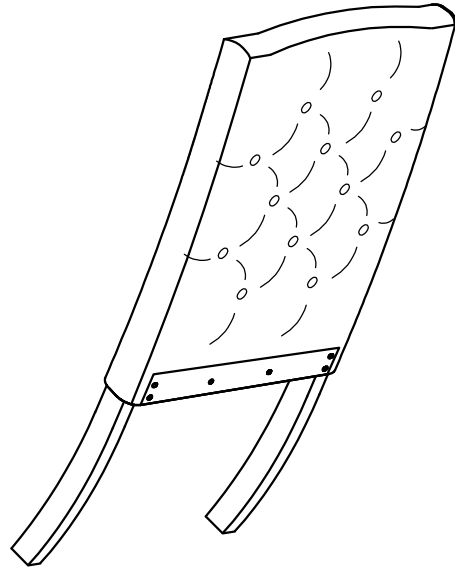
## Part List

Ⓐ



SEAT CHAIR (2 pcs)

Ⓑ



BACK CHAIR (2 pcs)

Ⓒ

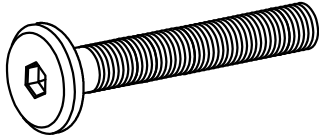


LEG FRONT (4 pcs)

# ASSEMBLY INSTRUCTION

## Hardware List

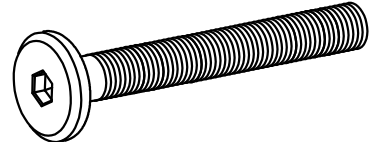
①



Ø 1/4" x 40mm

BOLT (4pcs)

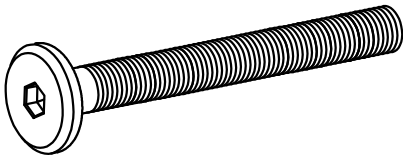
②



Ø 1/4" x 55mm

BOLT (8 pcs)

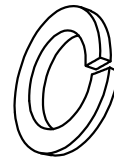
③



Ø 1/4" x 75mm

BOLT (8 pcs)

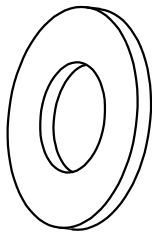
④



Ø5/16" x 13mm

LOCK WASHER (20 pcs)

⑤



Ø5/16" x 19 x 2mm

FLAT WASHER (20 pcs)

⑥

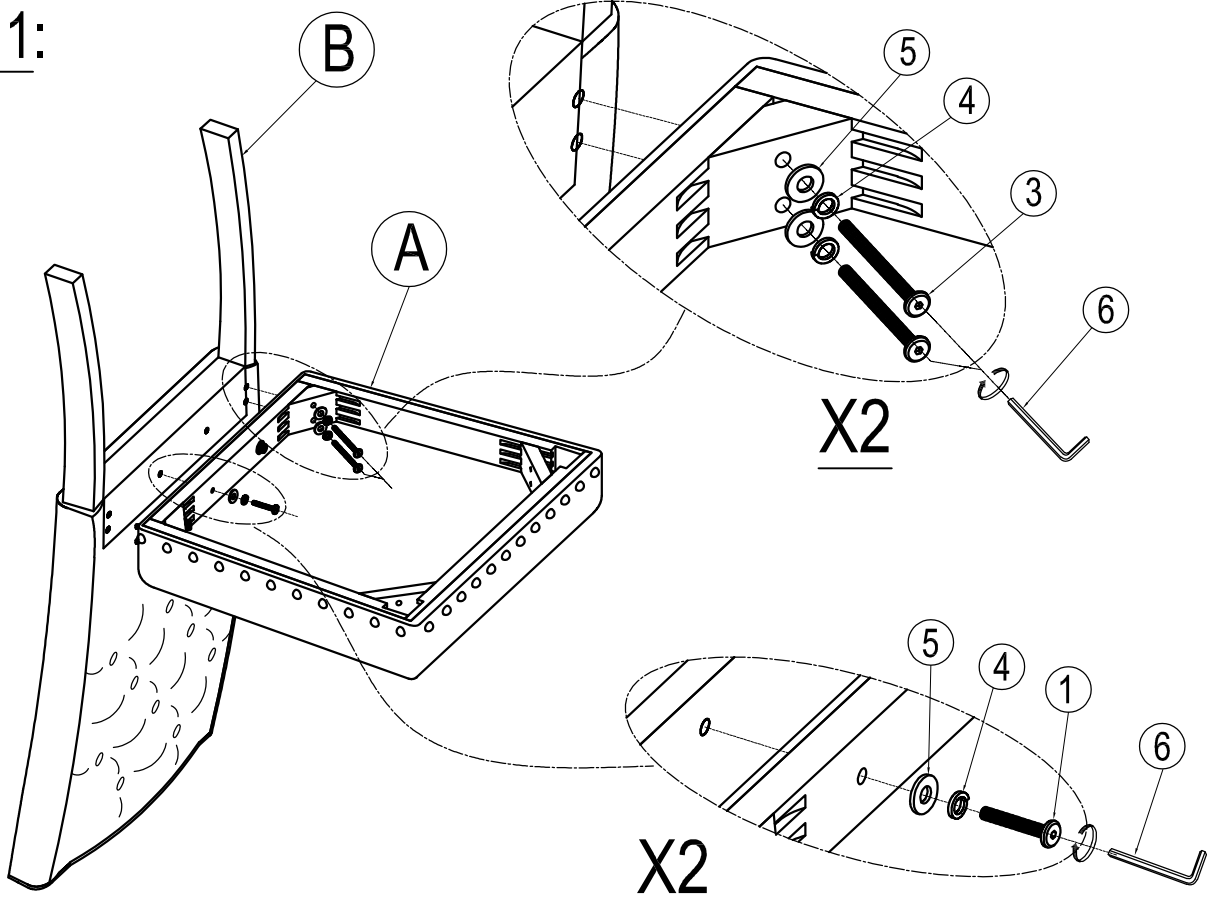







4mm

ALLEN KEY (1pc)

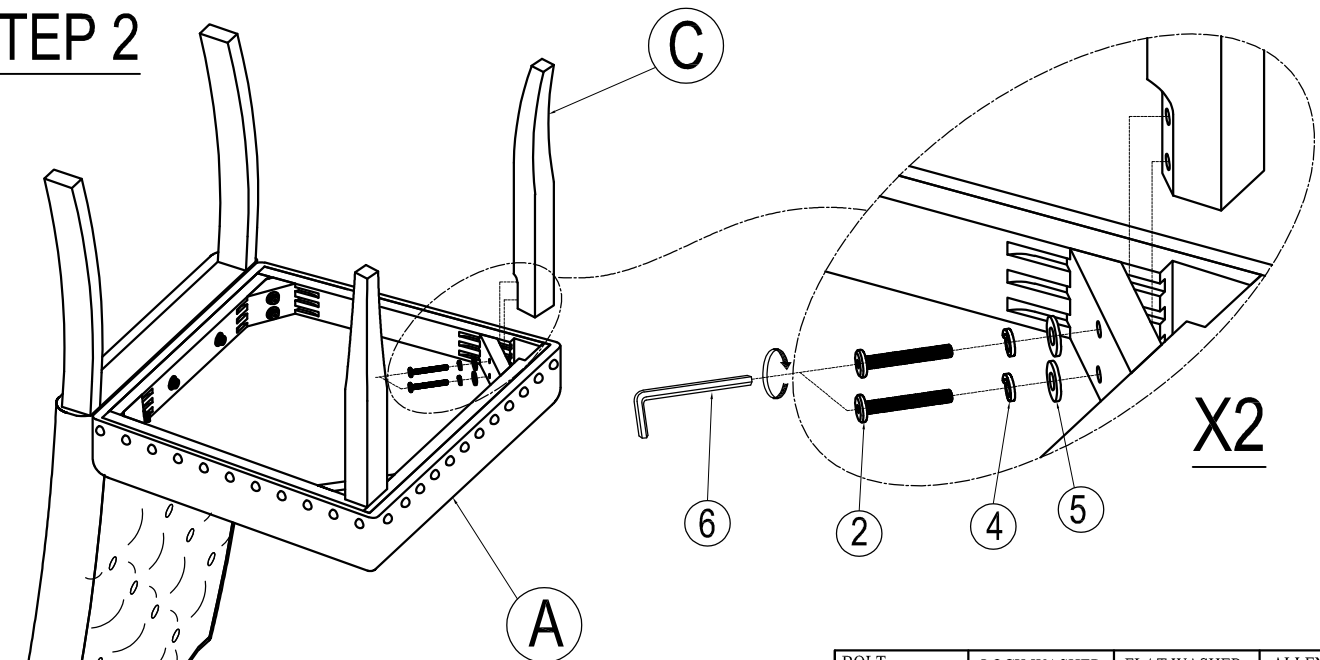
# ASSEMBLY INSTRUCTION





## STEP 1:



BOLT Ø 1/4" x 40 mm	BOLT Ø 1/4" x 75 mm	LOCK WASHER Ø5/16" x 13 mm	FLAT WASHER Ø5/16" x 19 x 2mm	ALLEN KEY 4 mm
				
① x 2	③ x 4	④ x 6	⑤ x 6	⑥ x 1

## STEP 2



BOLT Ø 1/4" x 55 mm	LOCK WASHER Ø5/16" x 13 mm	FLAT WASHER Ø5/16" x 19 x 2mm	ALLEN KEY 4 mm
			
② x 4	④ x 4	⑤ x 4	⑥ x 1

# ASSEMBLY INSTRUCTION

COMPLETE

