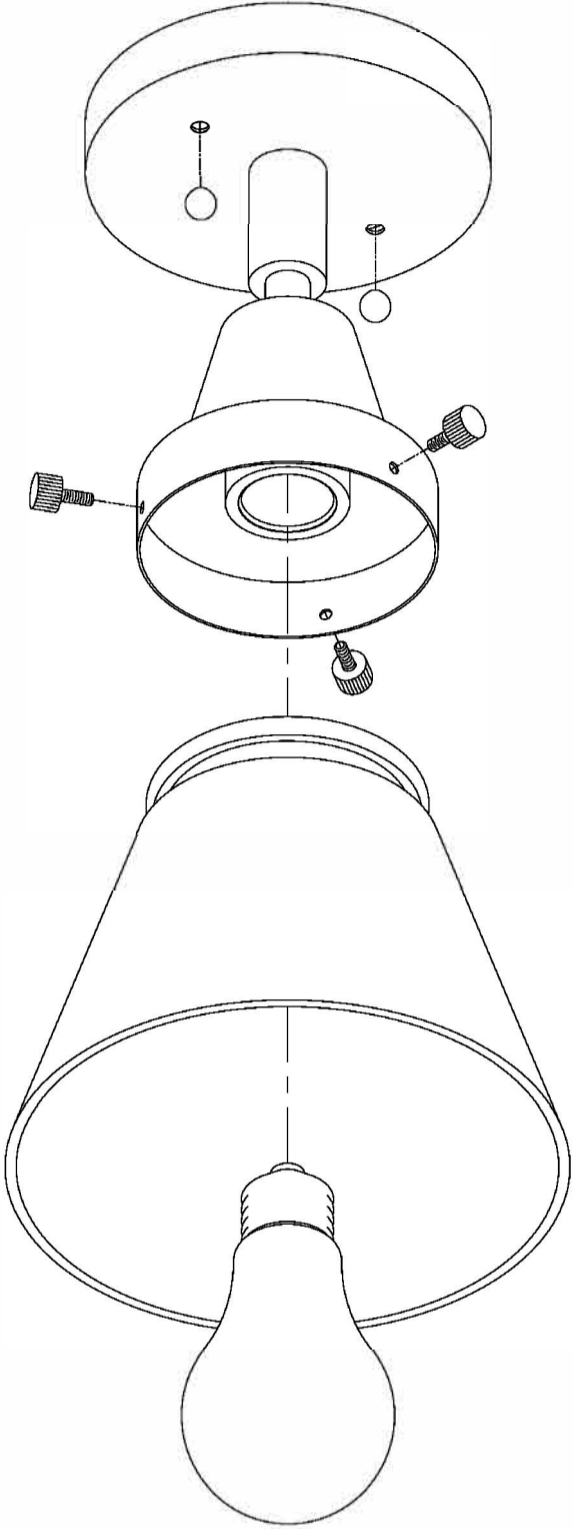
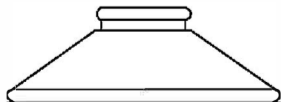
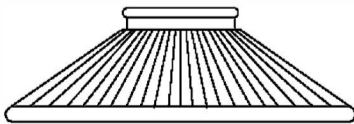
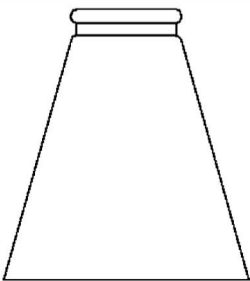
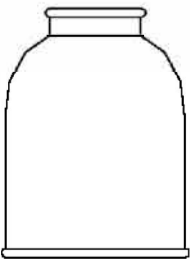


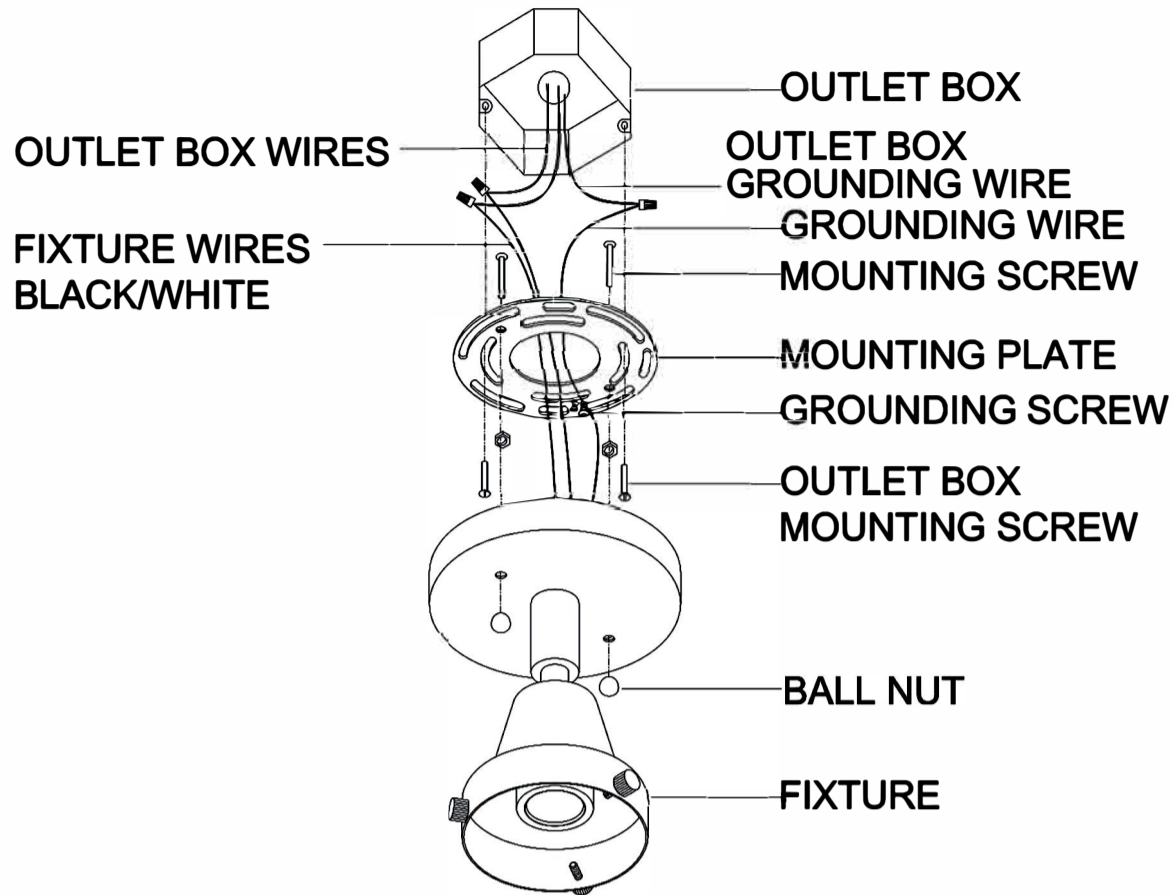
ITEM :



Shade Style



STANDARD MOUNTING PLATE INSTALLATION INSTRUCTIONS



CAUTION: DISCONNECT POWER DURING INSTALLATION!

- 1.) If you are replacing an existing fixture, disconnect and remove the old fixture. Expose the supply wiring from the outlet box.
- 2.) Thread the two mounting screws into the pre-drilled holes in the mounting plate spaced the same distance apart as the holes in the fixture body's canopy.
- 3.) Attach the Mounting plate to the outlet box with the two outlet box screws as shown. The side of the mounting plate marked "GND" must face out.
- 4.) Spread the electrical wires so that the black wires are on one side of the outlet box and the white wires are on the other side.
- 5.) Grounding instructions:
 - A.) On fixtures where mounting plate is provided with a green ground screw and two raised dimples, Wrap ground wire from outlet box around green ground screw and tighten.
 - B.) On fixtures where mounting plate is provided with a green ground wire attached. Connect mounting plate ground wire to ground wire from outlet box with wire connector.

If fixture is provided with ground wire, connect fixture ground wire to ground wire from outlet box with wire connector. After following the above steps.

Never connect ground wire to black or white power supply wires.

- 6.) To make electrical connections: Connect the white wire(s) from fixture to the white wire of this outlet box. Connect the black wire (s) from the fixture to the black wire of the outlet box.

NOTE: Black outlet box wire may be red, round & smooth and/or have copper conductor. White outlet box wire may be square & ridged and/or have a silver conductor. After wires are connected, tuck them carefully inside the outlet box.

- 7.) Attach the canopy to the outlet box, aligning screws on mounting plate with mounting holes in canopy and lock it securely with the ball nuts. Raise the shade into the lamp holder cover, lock it securely with the knob screws on side. Install the light bulb(Not included) in accordance with the fixture's specifications. **NOTE: DO NOT EXCEED THE SPECIFIED WATTAGE!**