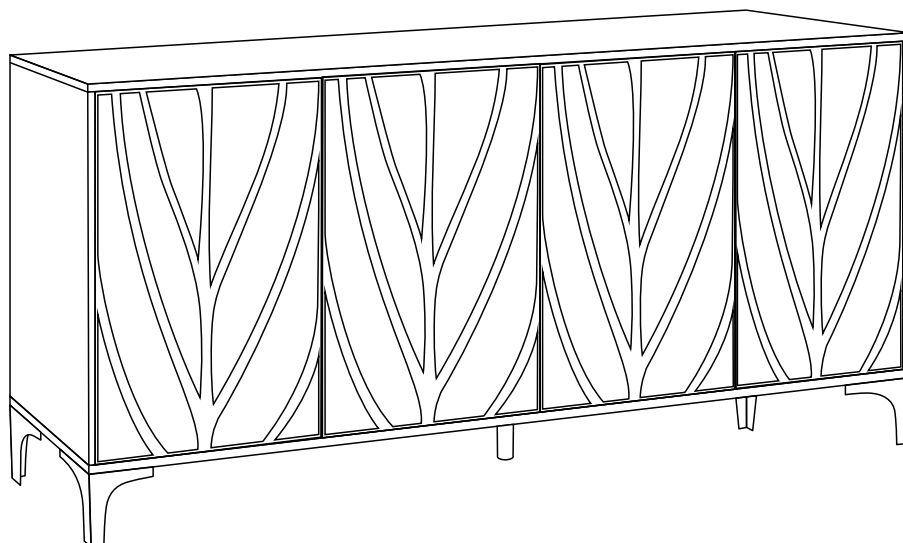
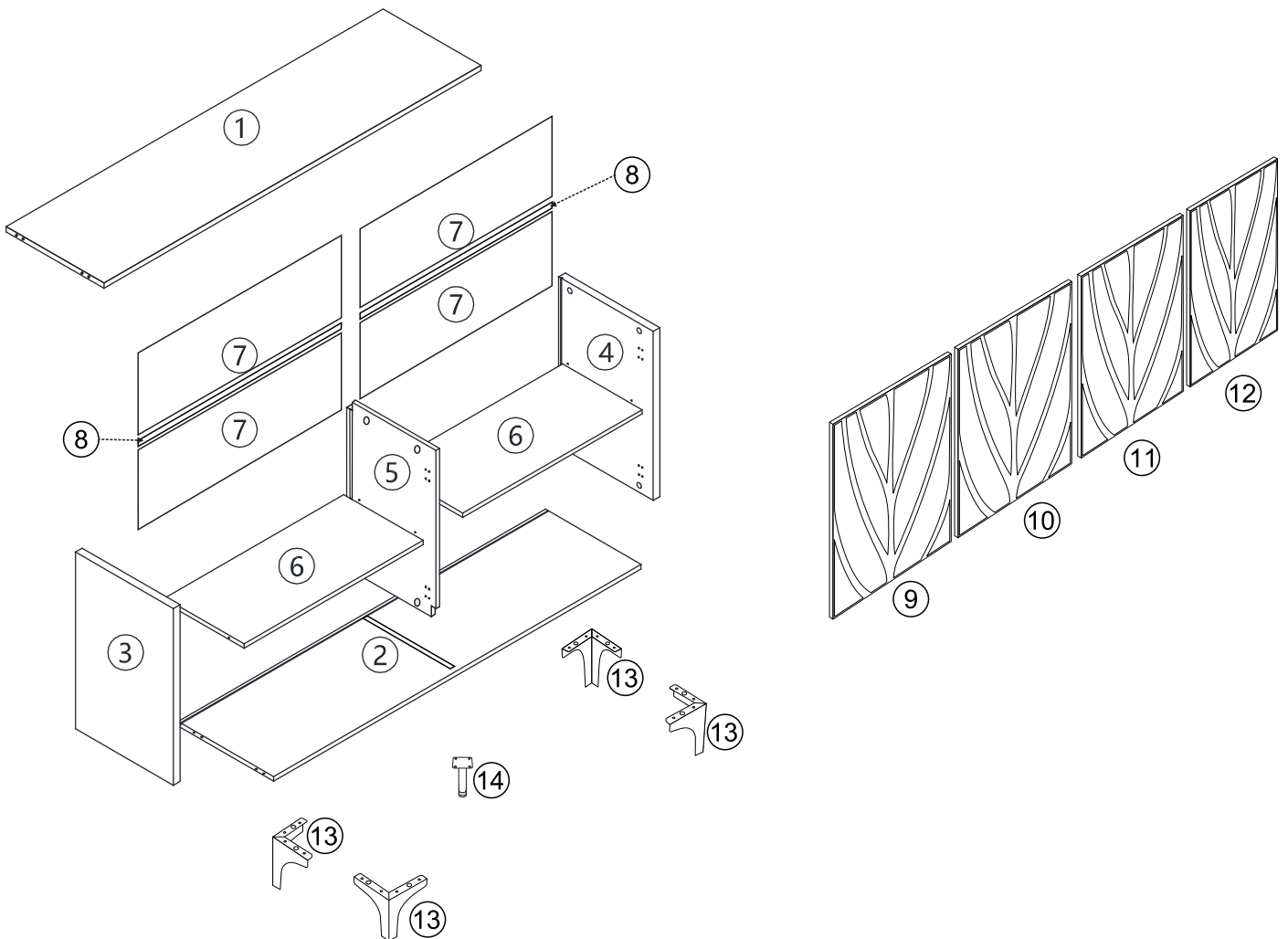
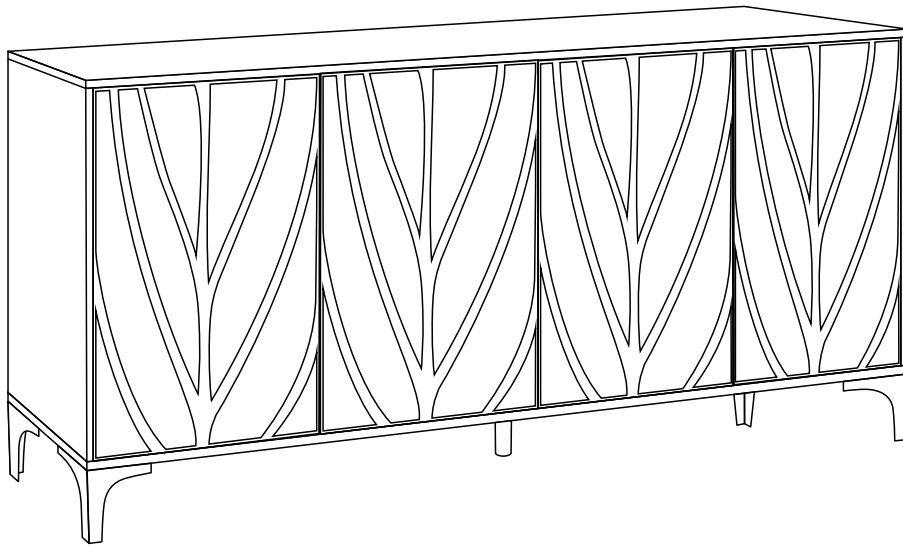


# ASSEMBLY INSTRUCTIONS

ITEM: Sideboard





1. Thank you for choosing our products.

## 2. Return Policy

**DO NOT RETURN TO THE STORE!** Skip the process of returning your product and contact us directly for a replacement

If you find that parts of your order are missing or damaged, we will gladly ship any needed replacement parts free of charge.

If your product quality does not meet your expectations or you have found any sort of defect, please contact our customer service department and let us know the details of your order and any issues encountered, we will try our best to provide you with a solution. Feel free to also directly contact our manufacturer concerning needed replacement parts and they will be happy to help provide you with a solution or answer any questions you may have.

### Recommendations Before Beginning Assembly

Read instructions, cover to cover

Have 2-4 adults on hand for assembly depending on product size

Do not assemble directly on flooring or carpet

Assemble on a clean non-marring surface (example: packing foam)

Save all packaging until finished

### 3. Assembly Notice:

If you encounter any problems during assembly and find that you cannot continue, rest assured we will help you solve the situation as soon as possible. Simply keep all of the parts of the product stored in a safe place and contact us immediately so we may assist you further.

Once you have opened your package, remove all inner hardware packages and take the parts out. One by one, Place the parts out neatly in front of you, then refer to the instructions to ensure no parts are missing. If any pieces are found missing, please carefully look in the box first, as the hardware packaging might have torn making the hardware spill in the box.

Some key parts of your product may be stored and hidden inside of other parts. Please open any zippered or hook & loop storage compartments to remove all parts. (example: cushions and legs being stored in the underside of a sofa)

**IMPORTANT:** When setting up your product, **DO NOT INSTALL THE SCREWS ALL THE WAY IN THE BEGINNING.** Place each screw into their proper hole and use your hand to twist the screw halfway. Twist all the screws in halfway to ensure the holes will match up properly and the product is level on the ground. When everything seems fitted, then tighten the screws.

When you have completed assembly, we suggest you have more than one person to assist you with lifting and placing the product.

## Care & Maintenance

Do not put hot items directly on furniture surface

Do not clean furniture with harsh cleansers or polish

Do not place furniture under direct sunlight

Do not place furniture near heating or cooling vents

Do not write on furniture without a padded barrier to protect the surface

Do not place furniture outside. For indoor use only

Not for commercial use. For residential use only

Stains may be removed with mild soap solution and damp cloth

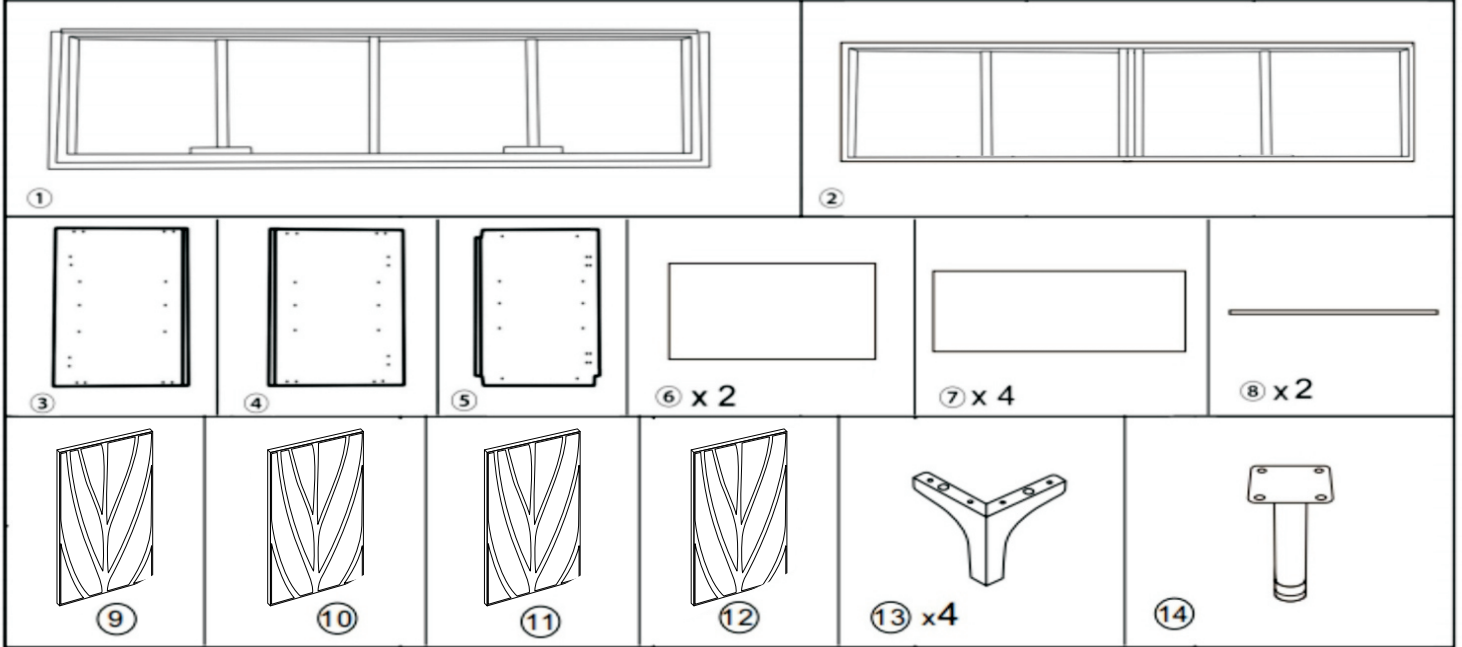
Children should not climb or jump on the furniture

Dust and pick-up spills using a clean, non-colored, lint-free cloth

## Caution

This product contains small components. Please ensure that they are kept away from small children.

# Components List



## Parts(Inside of parts'box)

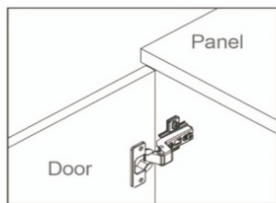
A x 8	6x25mm B x 12	B1 x 12	C1	E-1 x 4	E x 2	3X16MM F x 32	2.5x25mm L1 x 8
D x 8	I x 4		J x 4		3x15mm K x 48		L x 8
M1 X 2	4X35MM M2 X 2		4x30mm M3 X 2		M4 X 2		

## Assembly Steps(EN) / Montageschritte(DE)

HOW TO ADJUST THE HINGES TO ALIGN THE DOORS IF NEEDED.

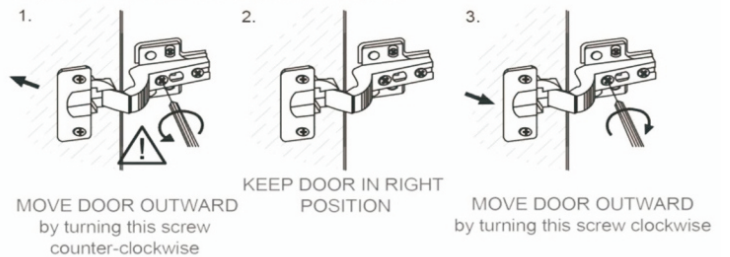
### STEP 1

Open the door.



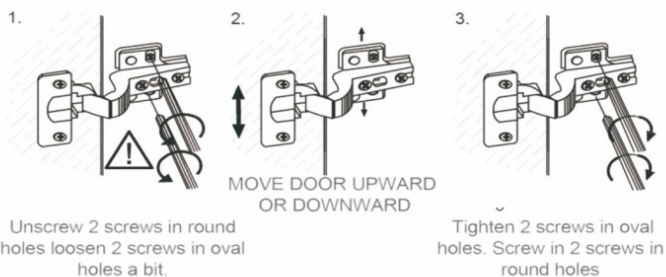
### STEP 3

Adjust the flush between door panel and side panel



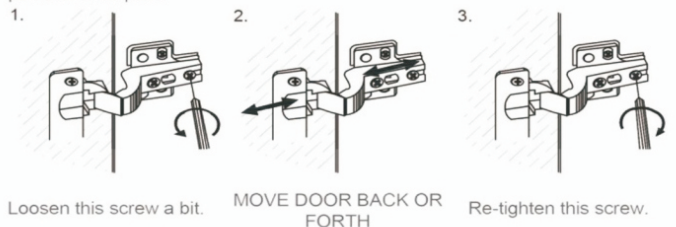
### STEP 2

Adjust the door panels up or down

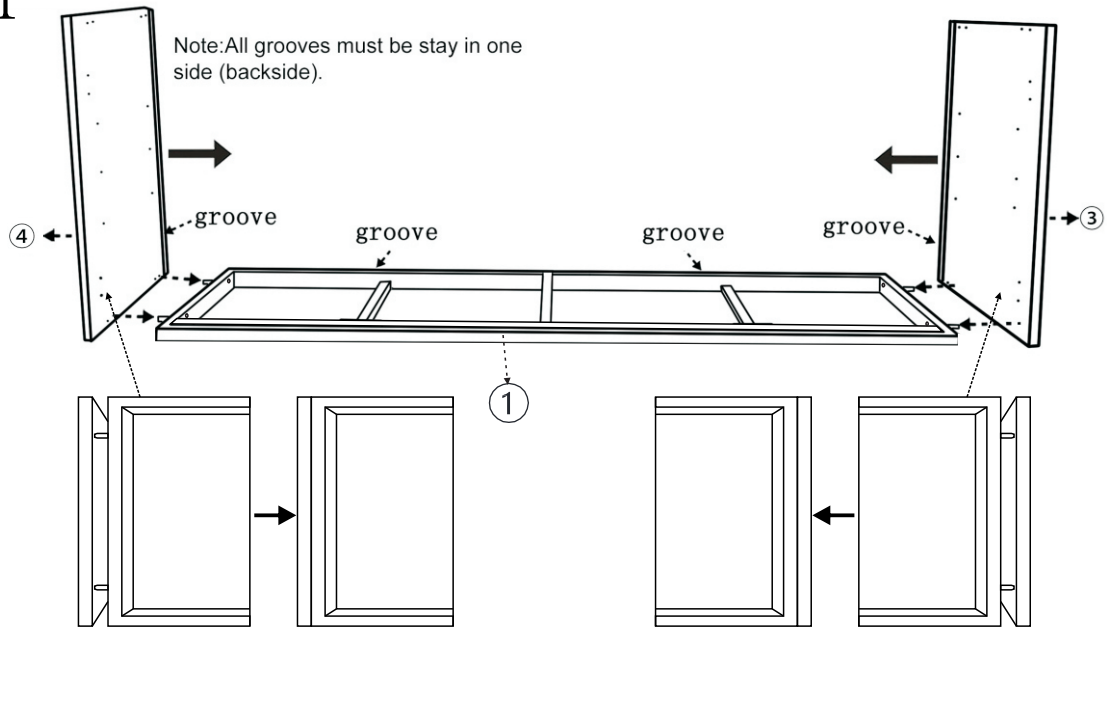


### STEP 4

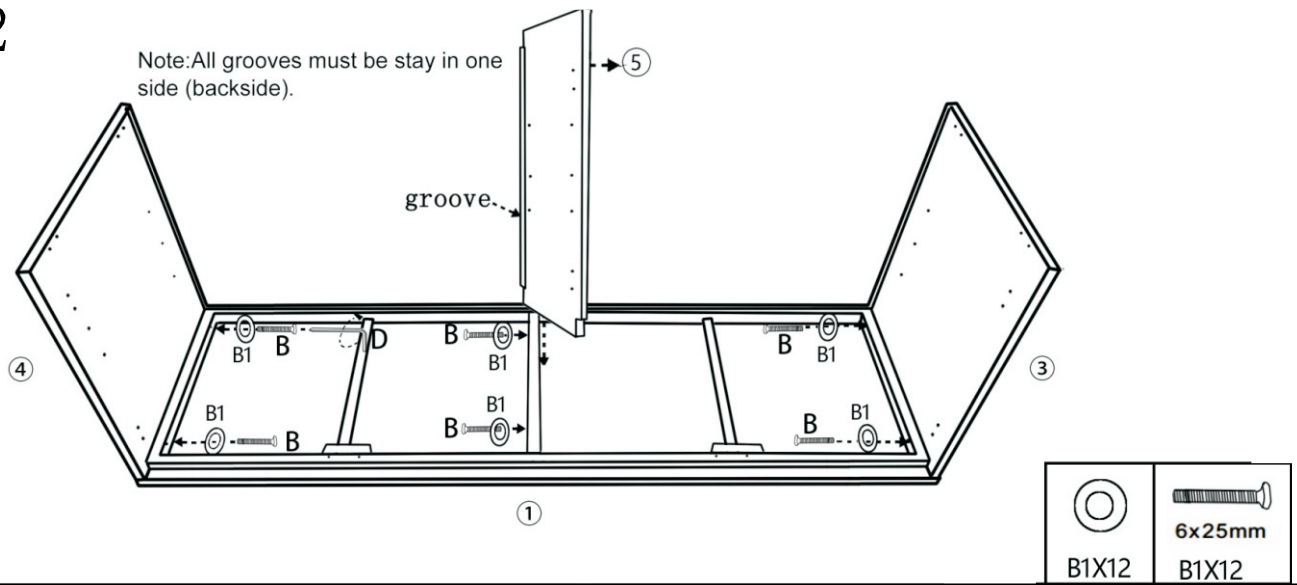
Adjust the Gap between door panel and side panel



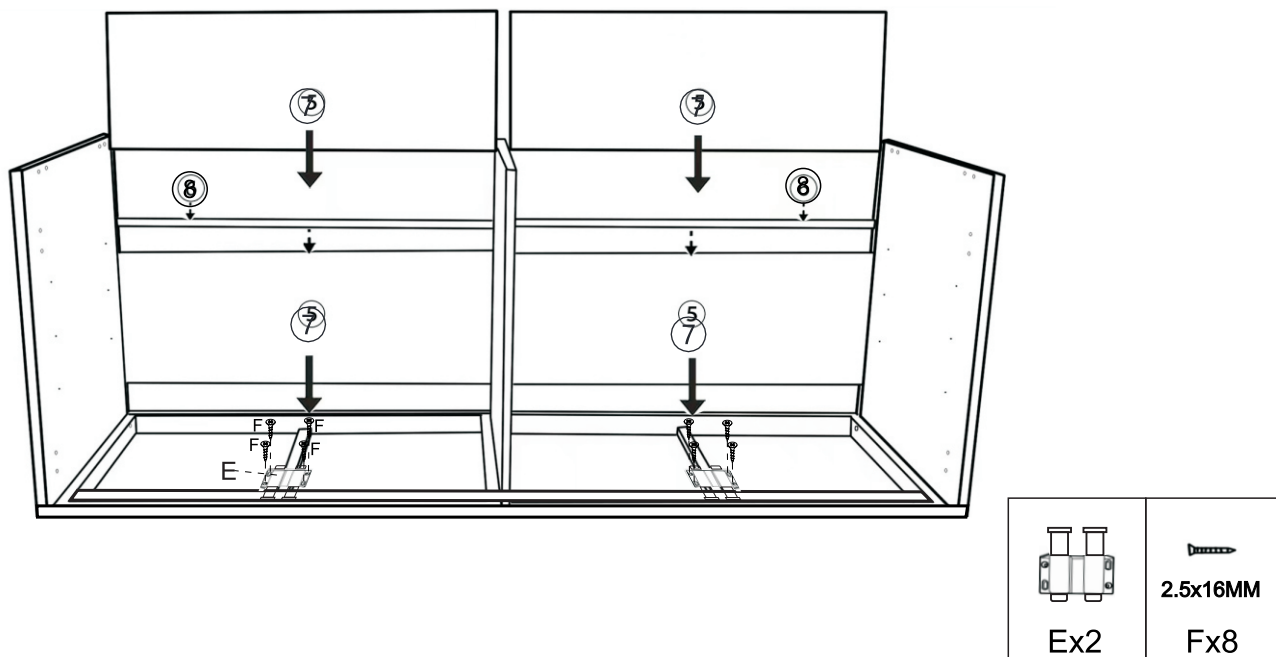
# STEP 1



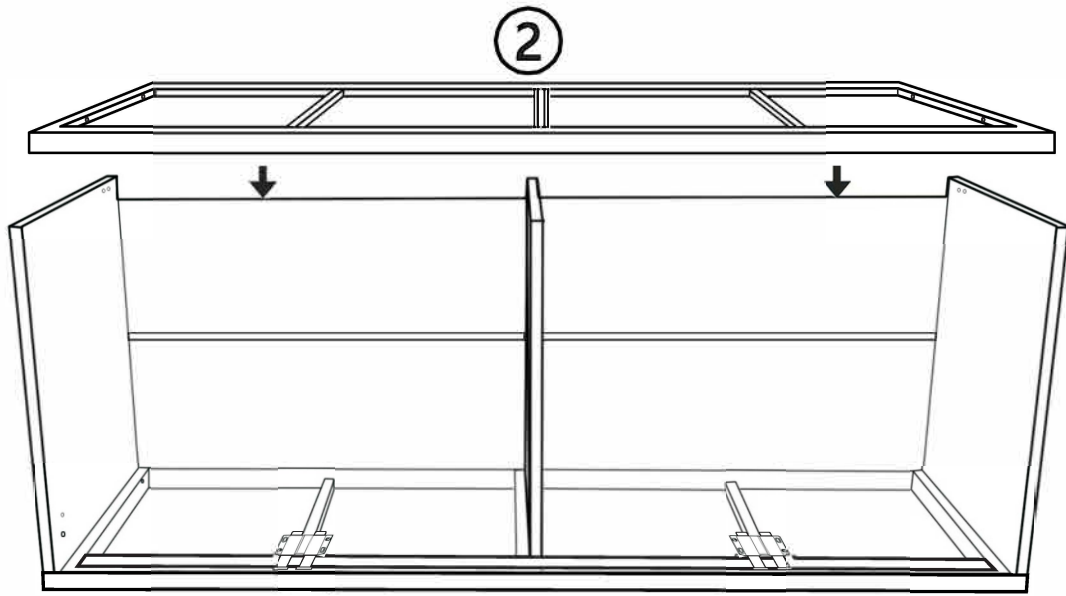
# STEP 2



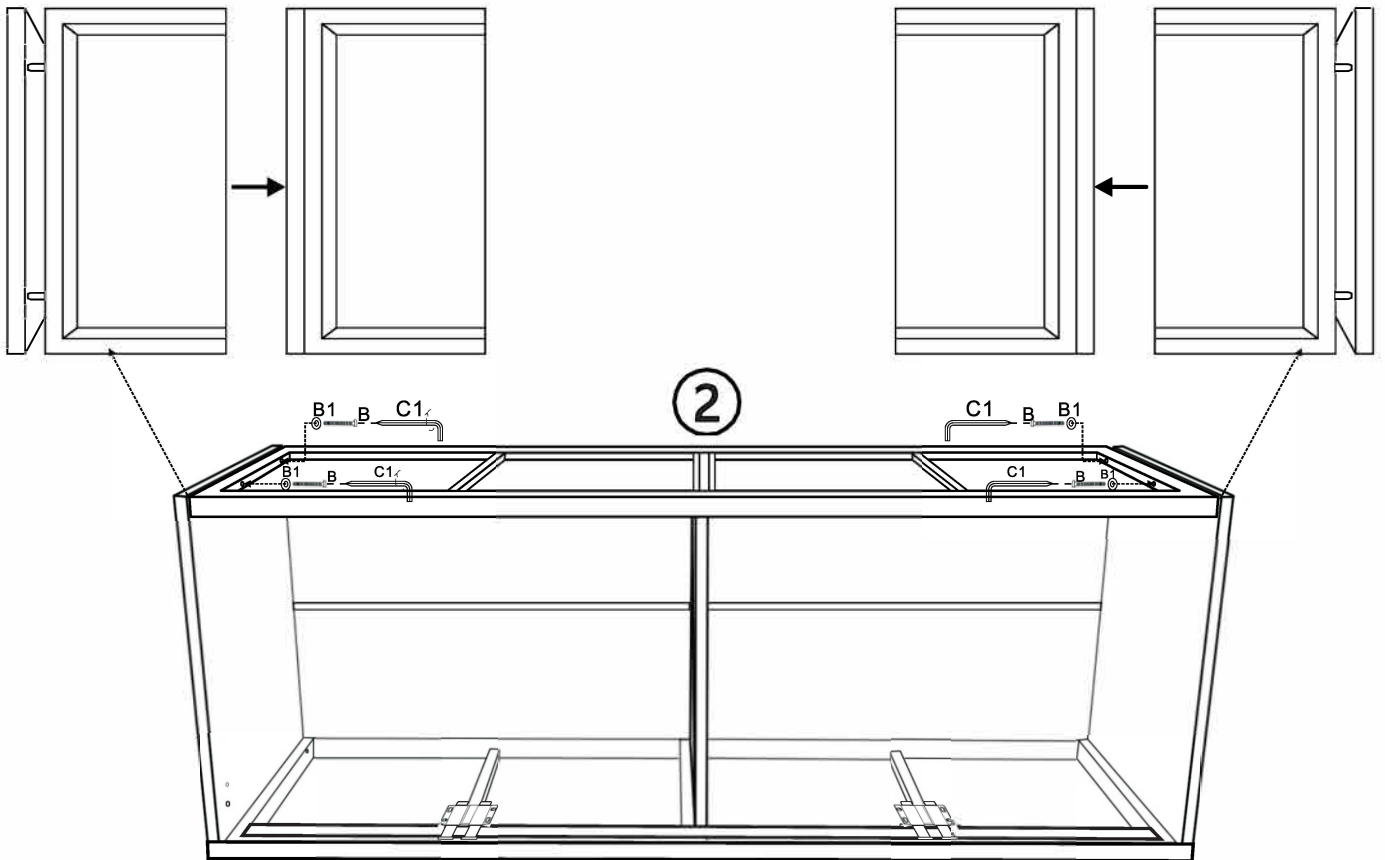
# STEP 3



# STEP 4

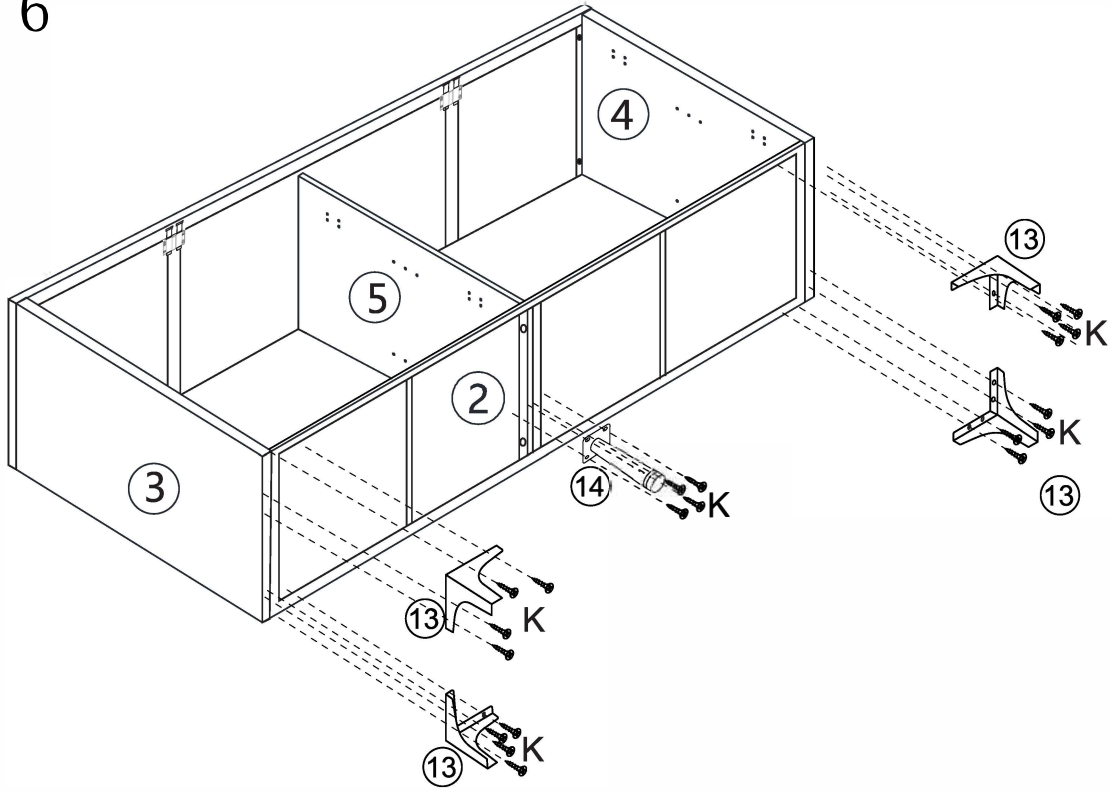


# STEP 5



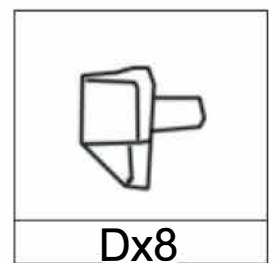
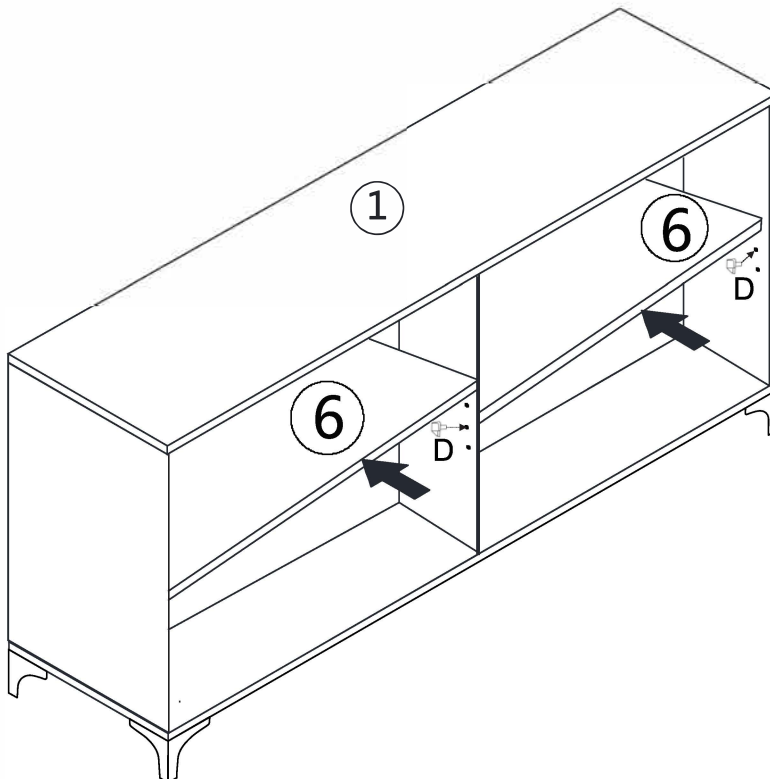
			
Ax8	6x25mm Bx12	B1x12	C1

# STEP 6

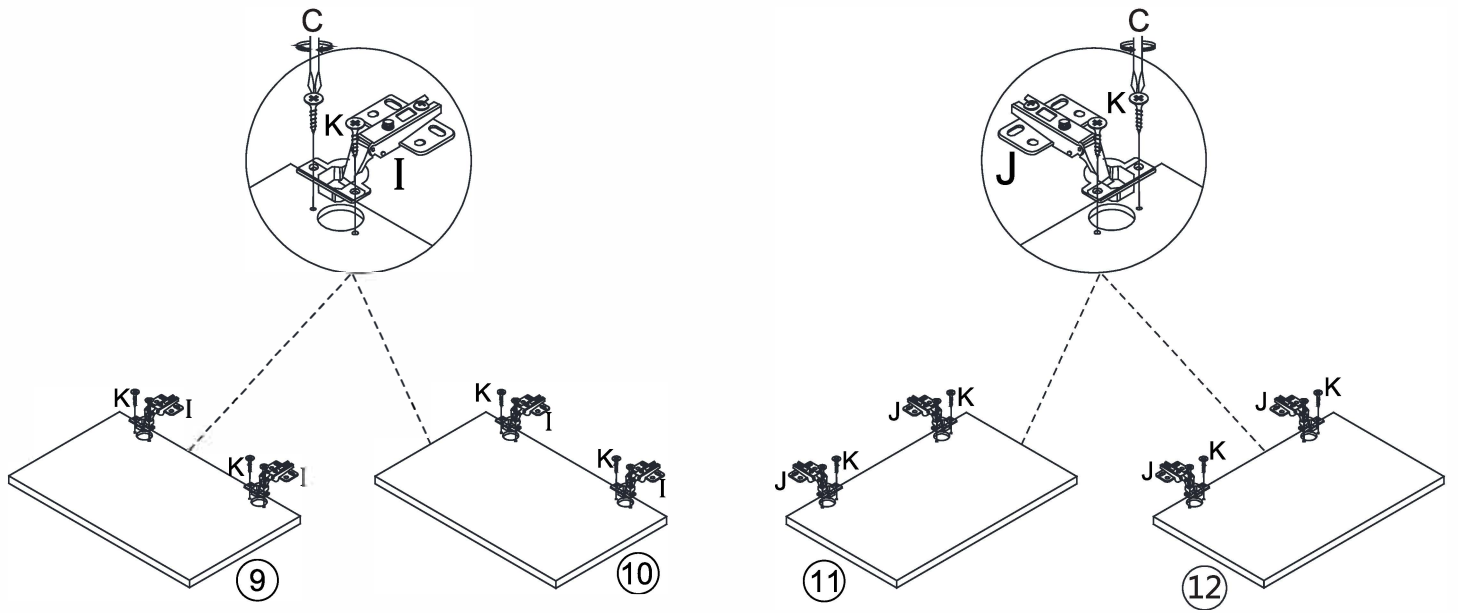


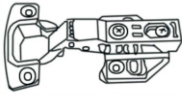
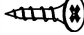
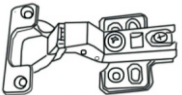
(13) x4	(14) x1	Ø3x14mm K x68

# STEP 7

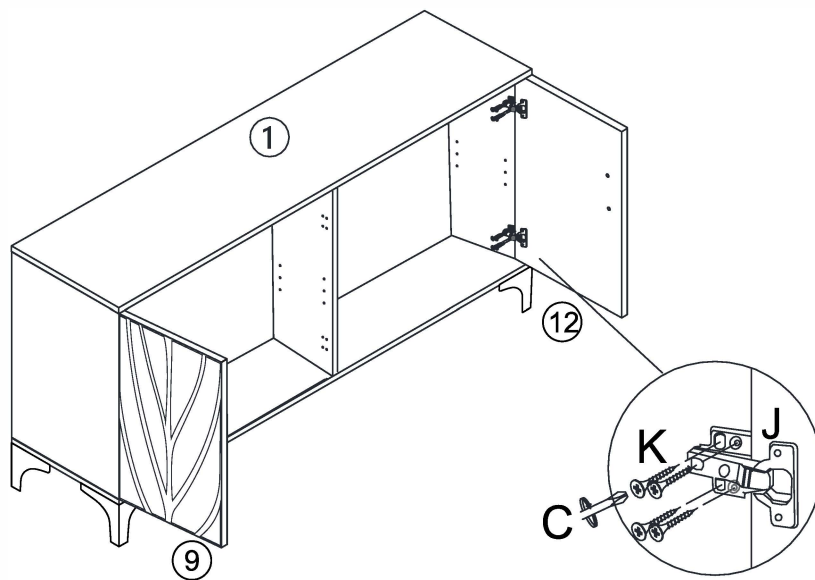



# STEP 8



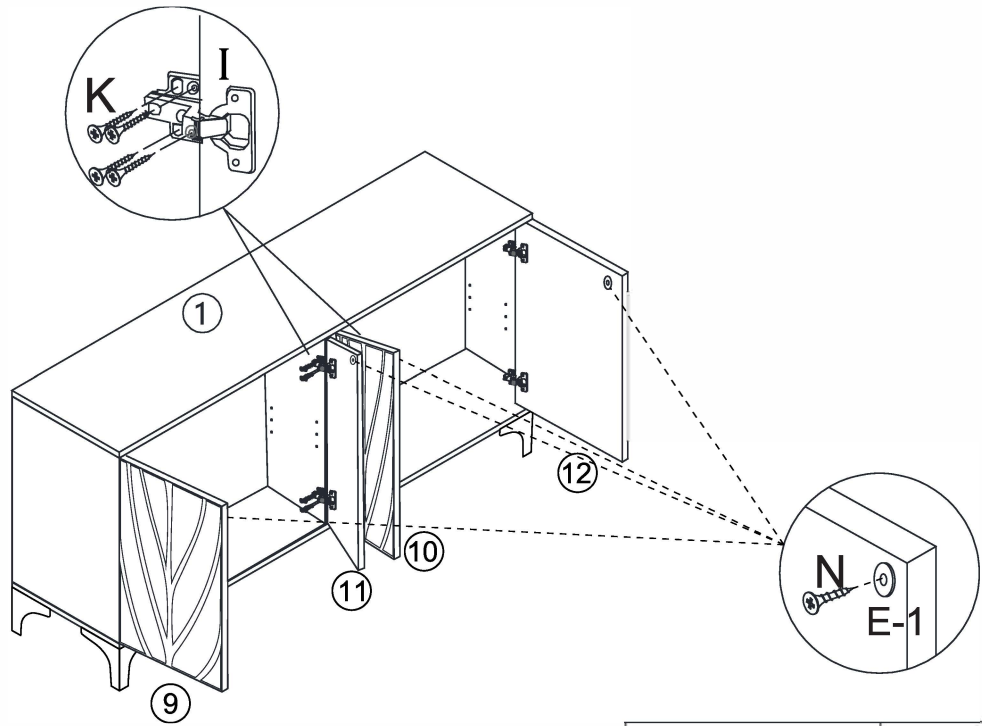
		
I X 4	Ø 3x14mm Kx68	J X 4

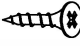

# STEP 9



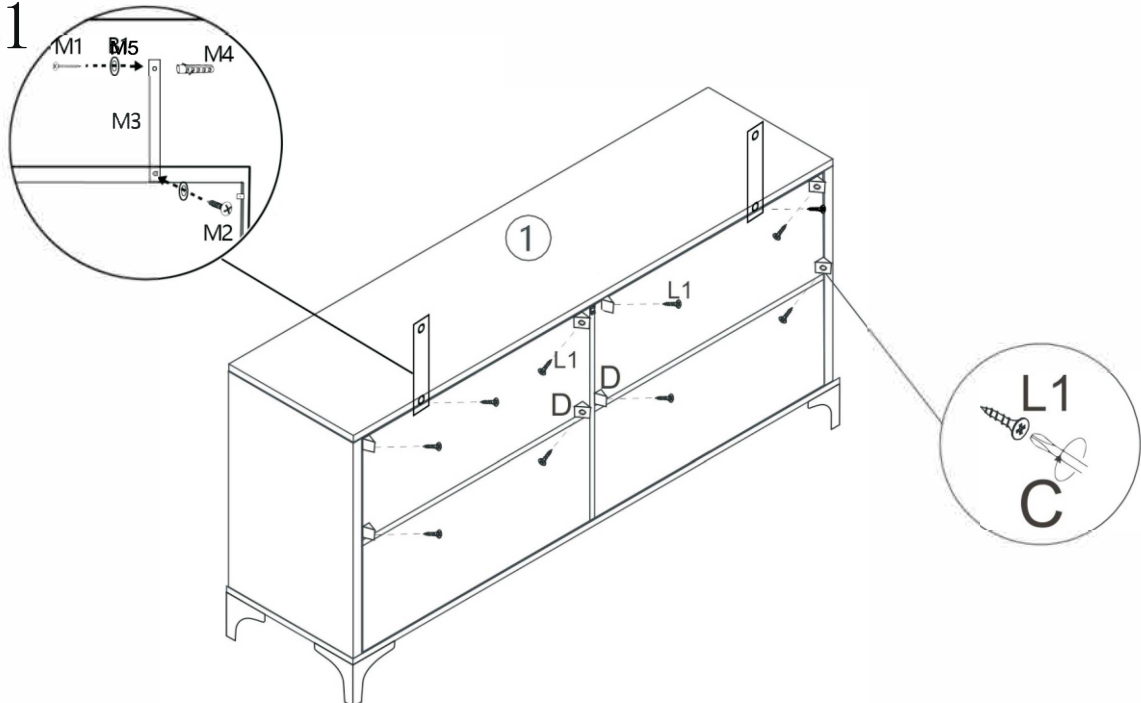

Ø 3x14mm Kx68


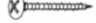





# STEP 10



	
Ø 2.5x12mm	E-1
Nx4	E-1x4

# STEP 11



						
M5x4	4x35MM	4x30mm	M3 X 2	M4X 2	Ø 2.5x25mm	D X 8
	M1 X 2	M2 X 2			L1 X 8	