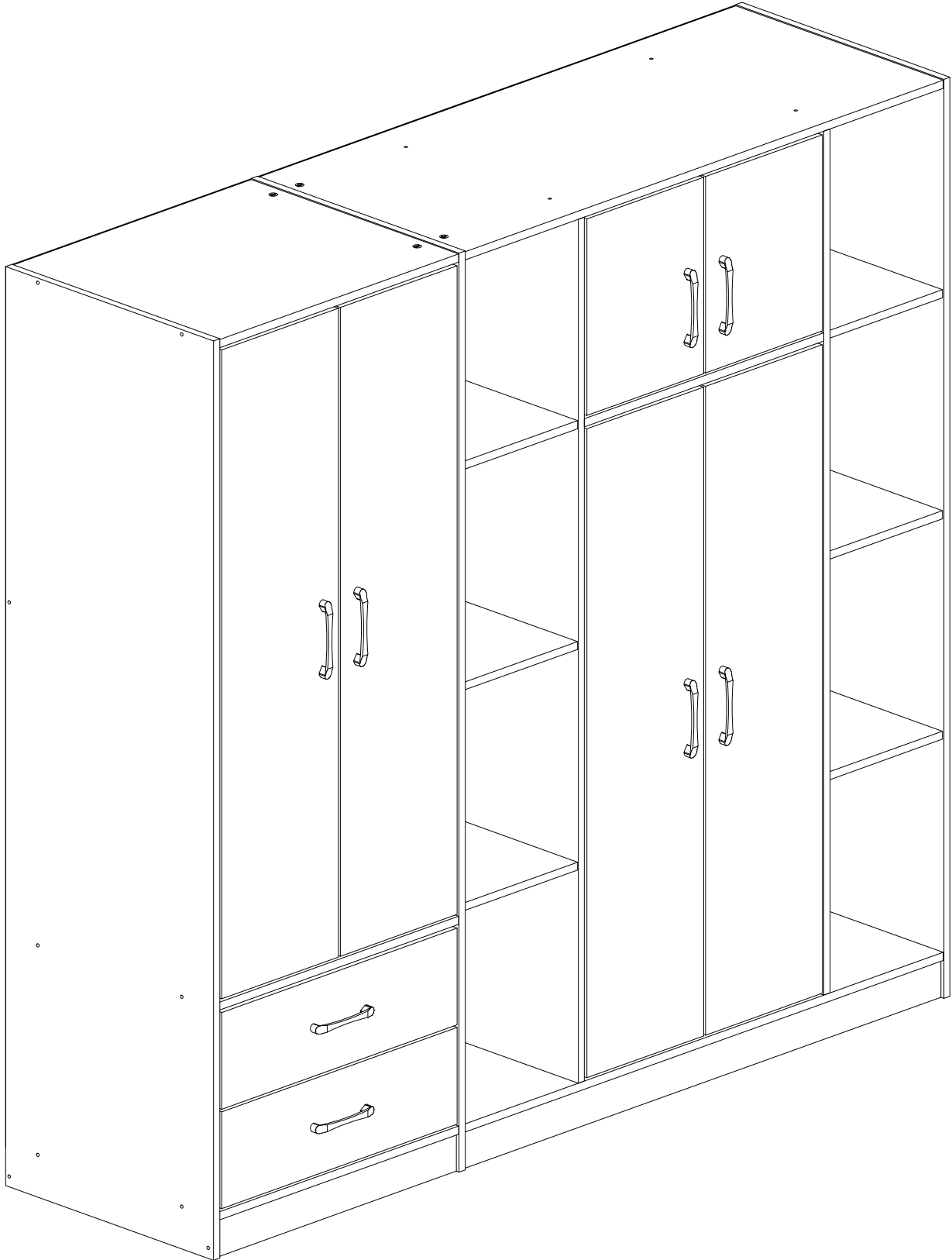


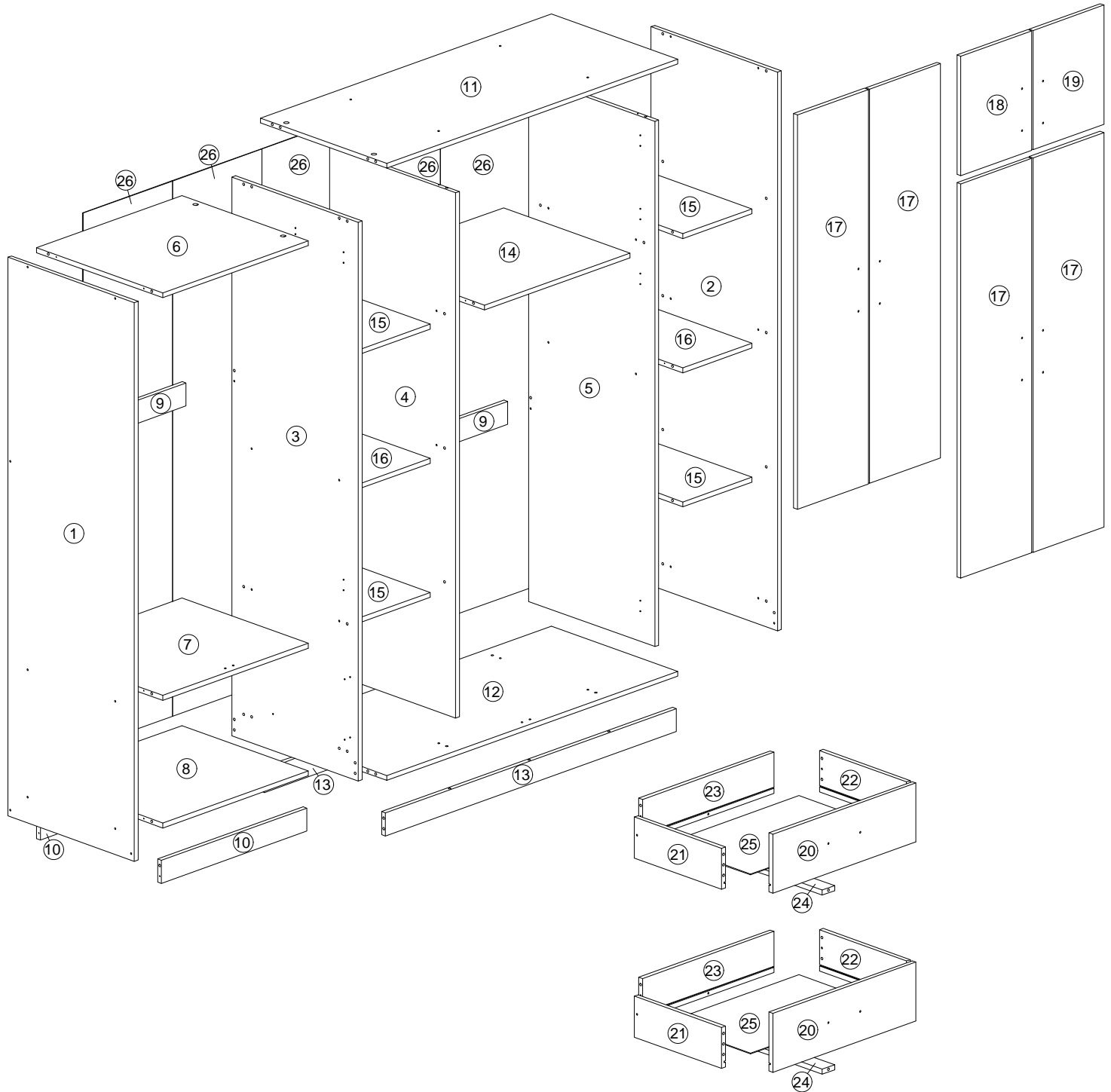
# Assembly Instruction

SKU CODE : N820P210485 / N820P210487 / N820P210488



# Assembly Instruction

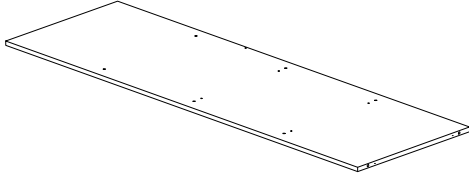
Detail :



# Assembly Instruction

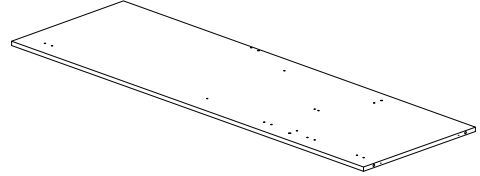
## Part List (N820P210485)

④ X 1



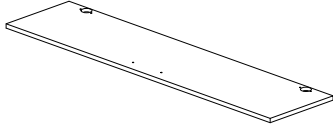
Center Panel Small - Left

⑤ X 1



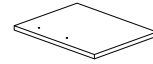
Center Panel Small - Right

⑰ X 4



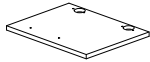
Door Panel Big - Left Right

⑱ X 1



Door Panel Small - Left

⑲ X 1

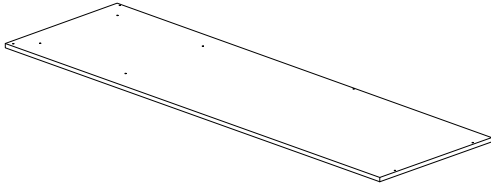


Door Panel Small - Left

# Assembly Instruction

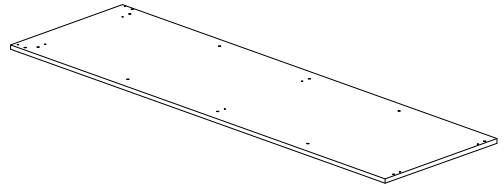
## Part List (N820P210487)

① X 1



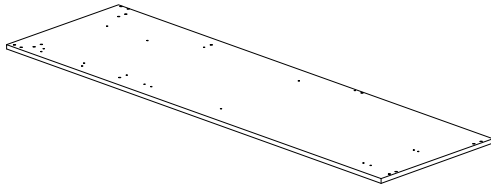
Side Panel - Left

② X 1



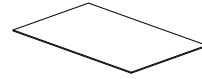
Side Panel - Right

③ X 1



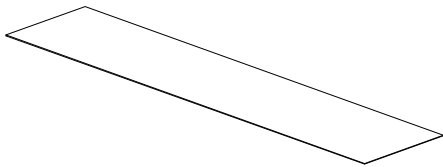
Center Panel Big

②⑤ X 2



Drawer Bottom Panel

②⑥ X 5

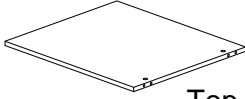


Back Panel

# Assembly Instruction

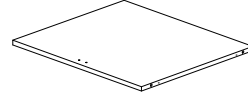
## Part List (N820P210488)

⑥ X 1



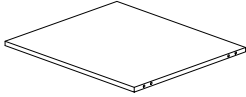
Top Panel Small - Left

⑦ X 1



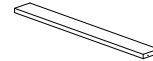
Partition Panel - Left

⑧ X 1



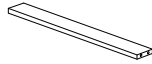
Bottom Panel Small - Left

⑨ X 2



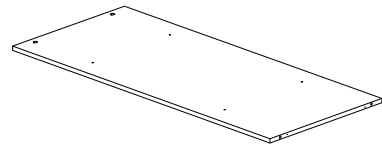
Support Panel - Left Right

⑩ X 2



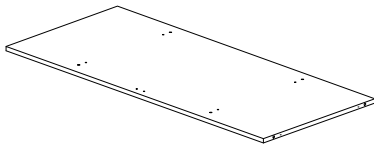
Bottom Support Panel - Left

⑪ X 1



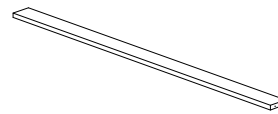
Top Panel Big - Right

⑫ X 1



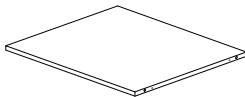
Bottom Panel Big - Right

⑬ X 2



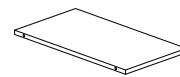
Bottom Support Panel - Right

⑭ X 1



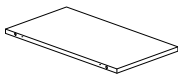
Partition Panel - Right

⑮ X 4



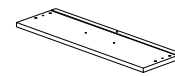
Center Partition Panel - Left Right

⑯ X 2



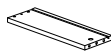
Center Partition Panel - Left Right

⑳ X 2



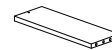
Drawer Front Panel

㉑ X 2



Drawer Side Panel - Left

㉒ X 2



Drawer Side Panel - Right

㉓ X 2



Drawer Back Panel








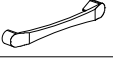

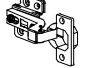
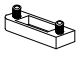

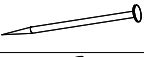
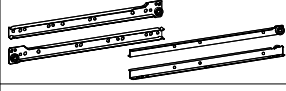

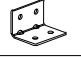

㉔ X 2






Drawer Support Panel

# Assembly Instruction

## Hardware List (N820P210488)

No.	SHAPE	DESCRIPTION	Qty.
A		8x25mm Dowel (Wood)	88Pcs
B		Minifix	20Pcs
C		33mm Myfix	8Pcs
D		63mm Myfix	6Pcs
E		M3.5x16mm Screw	113Pcs
F		M4x45mm Screw	46Pcs
G		M3.5x12mm Screw	12Pcs
H		V Bracket	4Pcs
I		Handle KT59.128	8Pcs
J		M4x28mm Screw	16Pcs
K		Hinges 7/8	12Pcs
M		2 Pin Stopper	5Pcs
M		5/8 Nail With Pin	10Pcs
N		6/8 Power Pin	78Pcs
O		Drawer Slide (350mm)	2Sets
P		Aluminium Pipe(578mm)	2Pcs
Q		L Bracket	4Pcs
R		Sticker	17Pcs

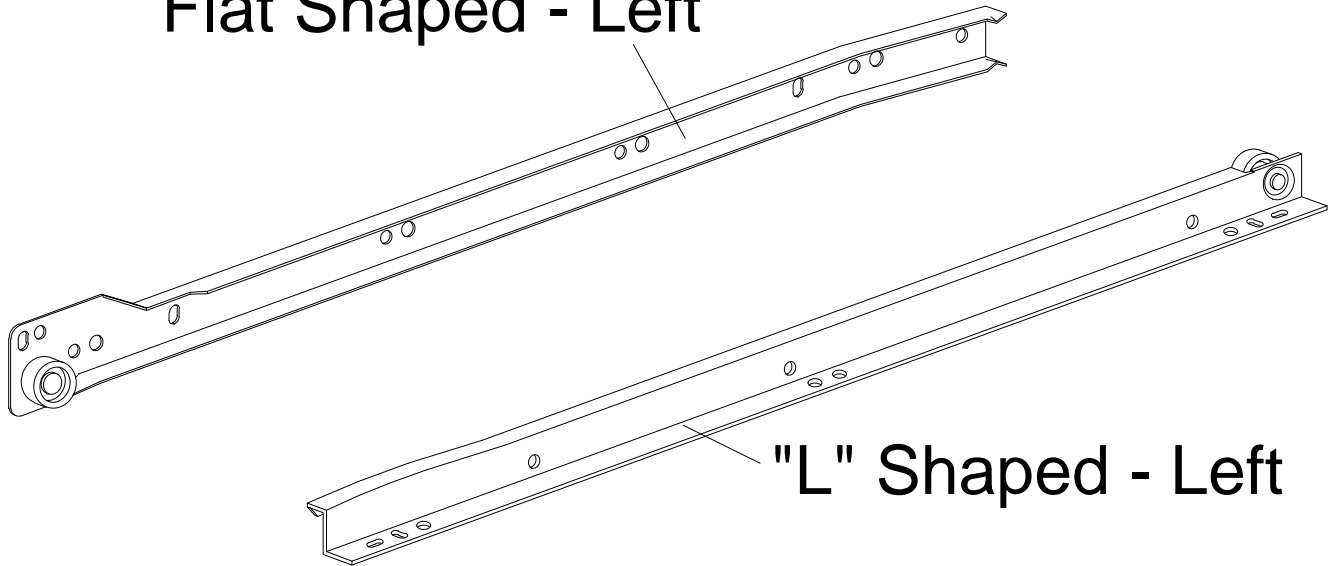
## Anti Tipping Hardware (N820P210488)

No.	SHAPE	DESCRIPTION	Qty.
a		Mounting Bracket	2Pcs
b		TP 6# x 5/8" Screw	1Pc
c		TP 8# x 2" Screw	1Pc
d		Restraint Strap	1Pc

# Assembly Instruction

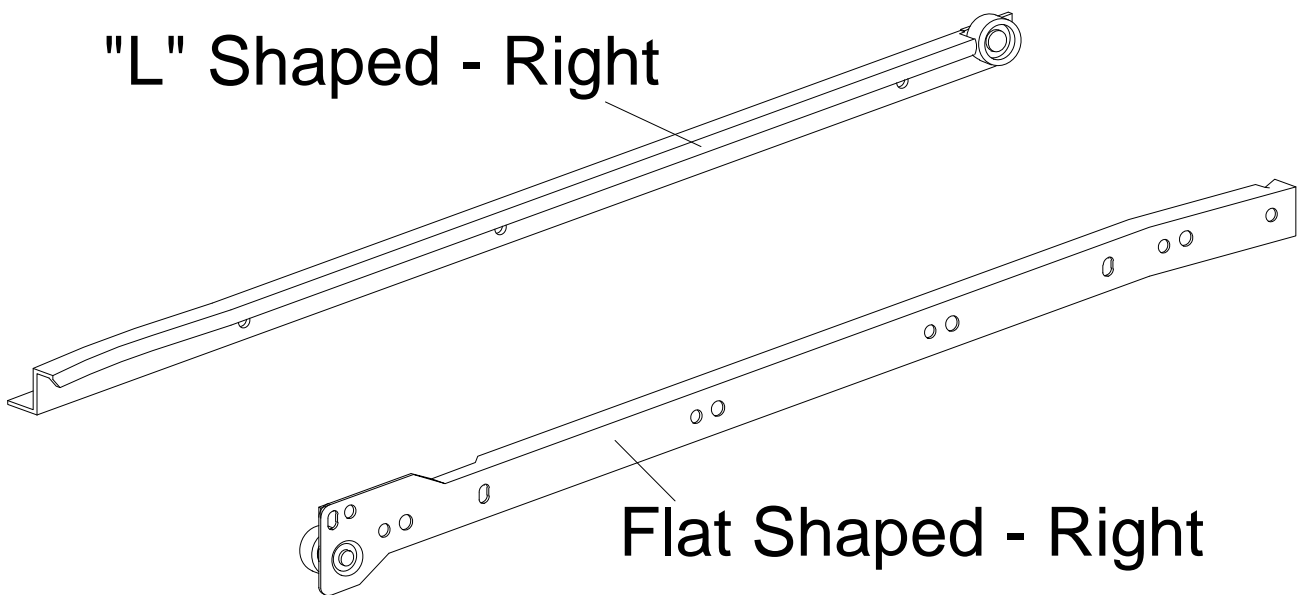
Left Drawer Silde (O)

Flat Shaped - Left



Right Drawer Silde (O)

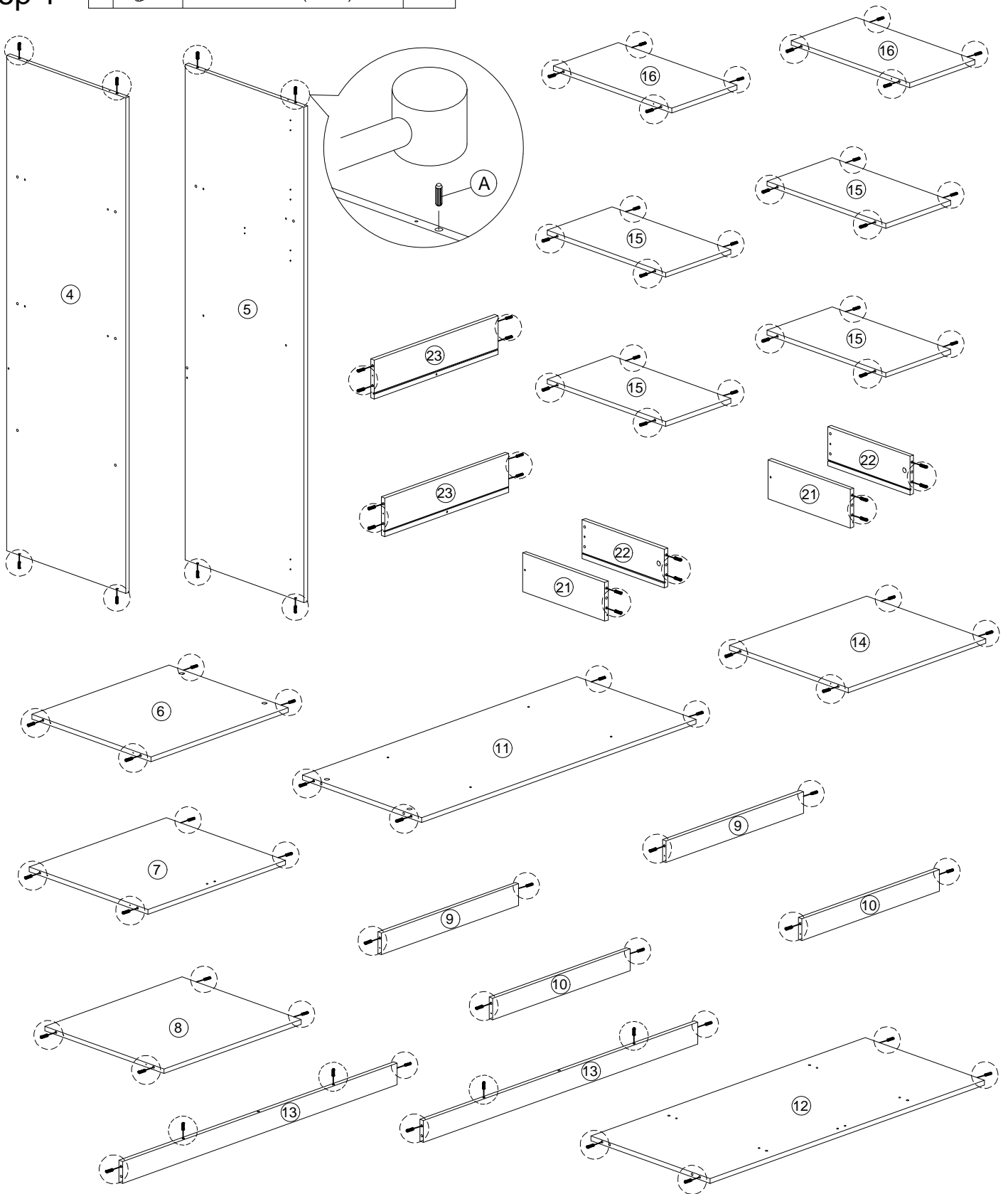
"L" Shaped - Right



# Assembly Instruction

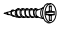
## Step 1

A  8x25mm Dowel (Wood) 88Pcs

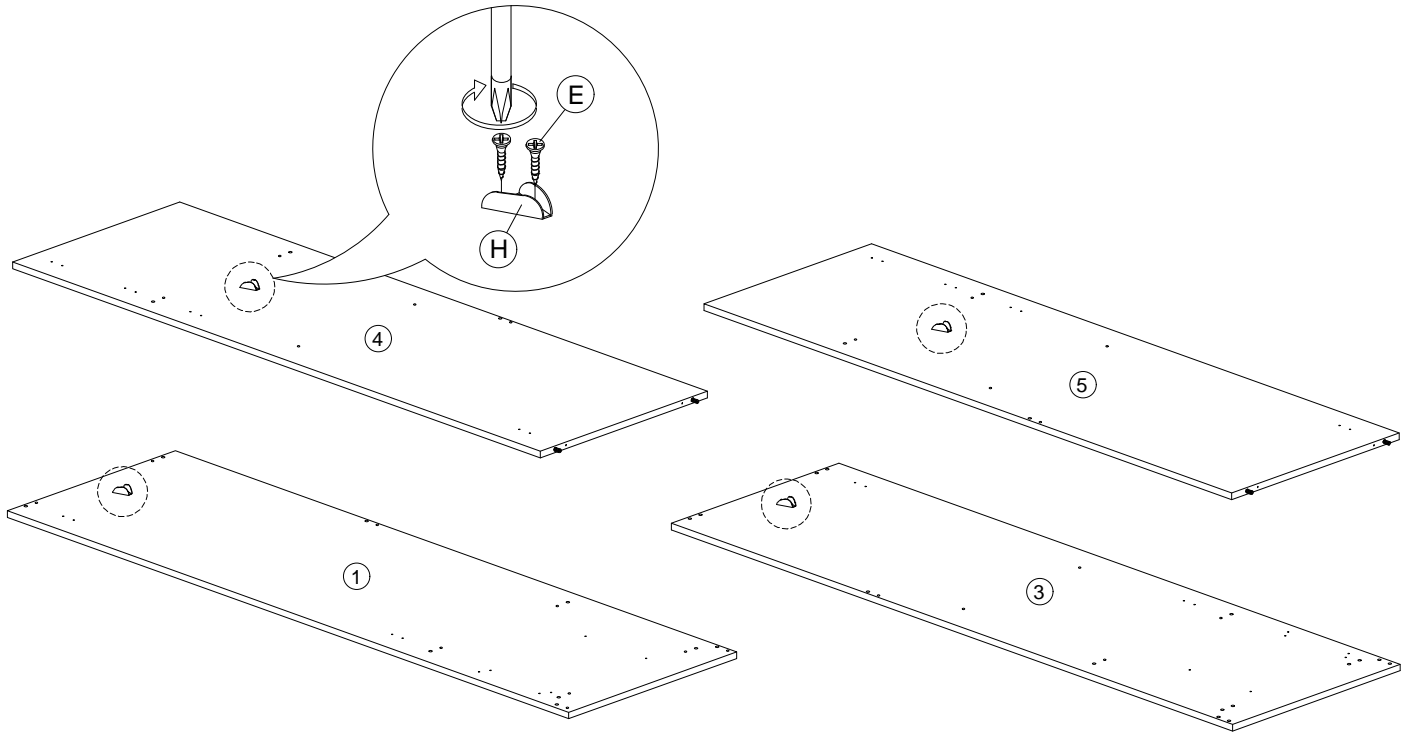


# Assembly Instruction

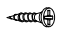

## Step 2


E		M3.5x16mm Screw	8Pcs
---	---	-----------------	------

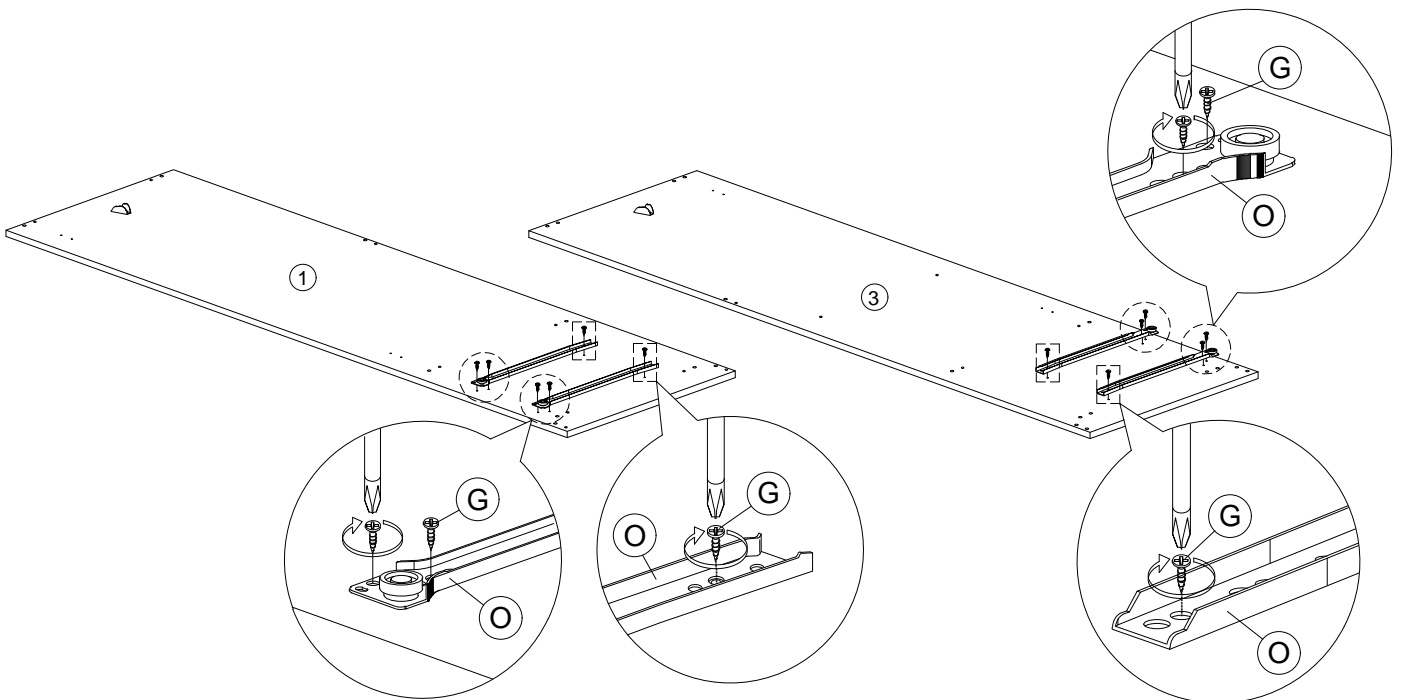
H		V Bracket	4Pcs
---	---	-----------	------



## Step 3

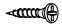
G		M3.5x12mm Screw	12Pcs
O		Drawer Slide 350mm - R	2Pcs


O		Drawer Slide 350mm - L	2Pcs
---	---	------------------------	------

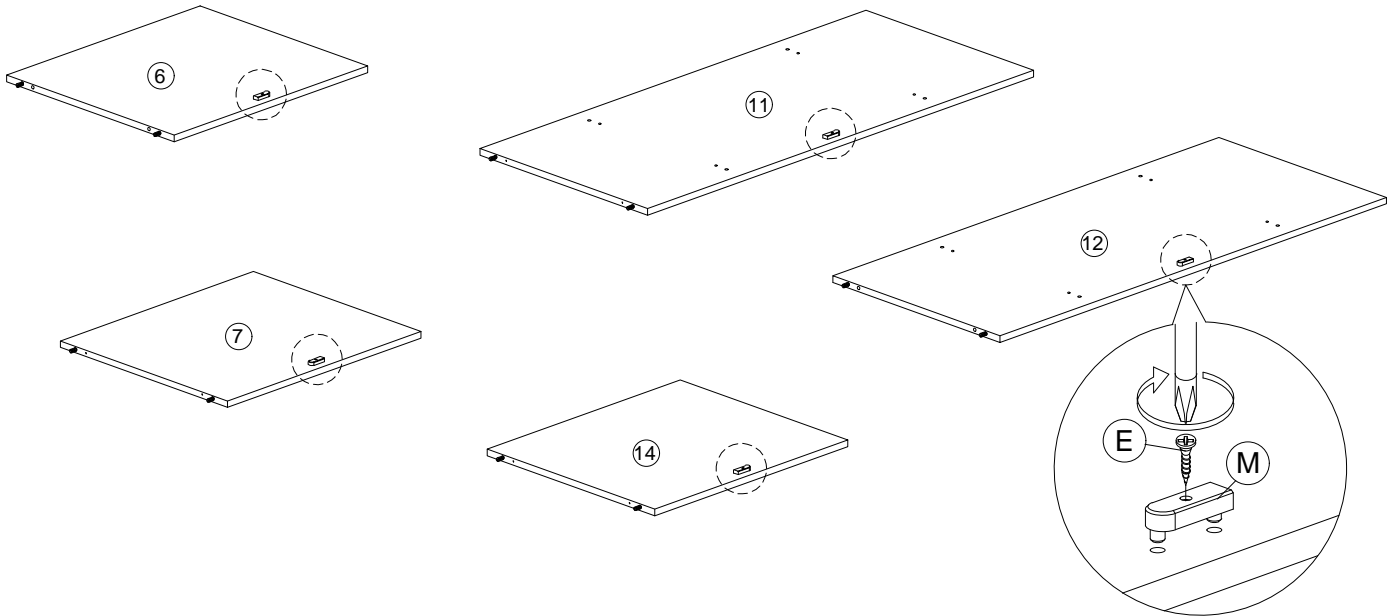


# Assembly Instruction

## Step 4

E		M3.5x16mm Screw	5Pcs
---	---	-----------------	------


M		2 Pin Stopper	5Pcs
---	---	---------------	------

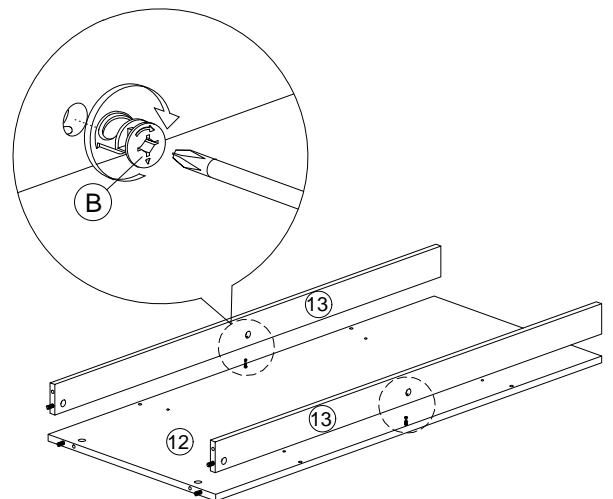
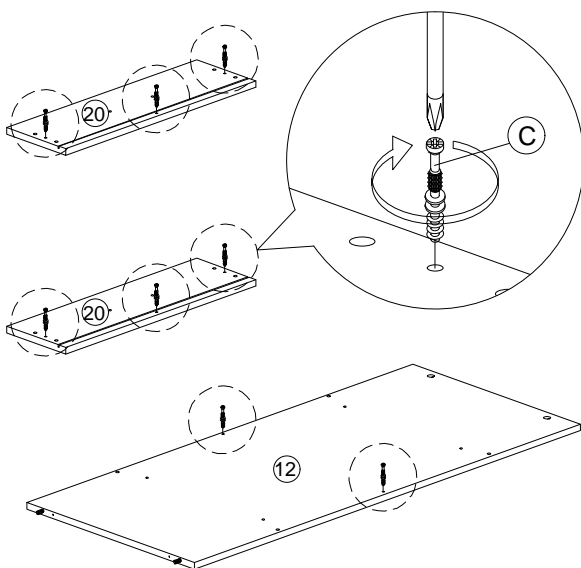


## Step 5

C		Myfix	8Pcs
---	---	-------	------


## Step 6

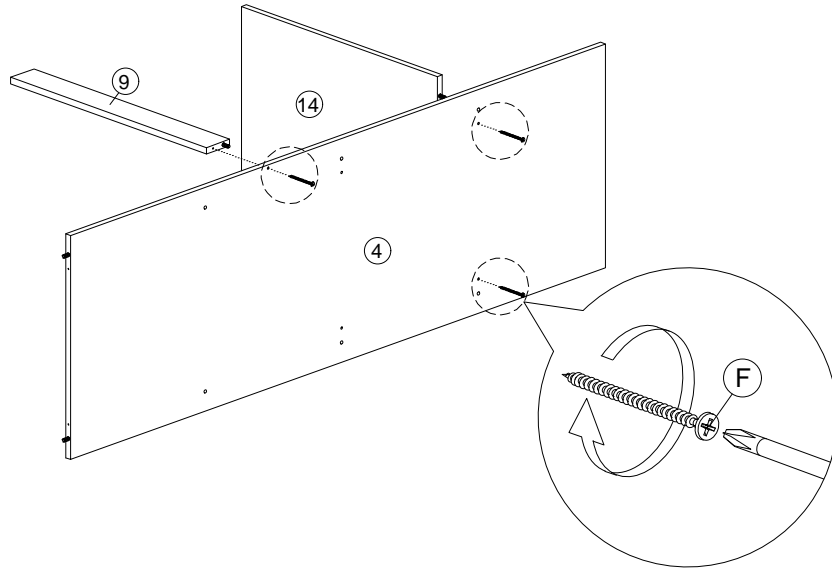
B		Minifix	2Pcs
---	---	---------	------




# Assembly Instruction

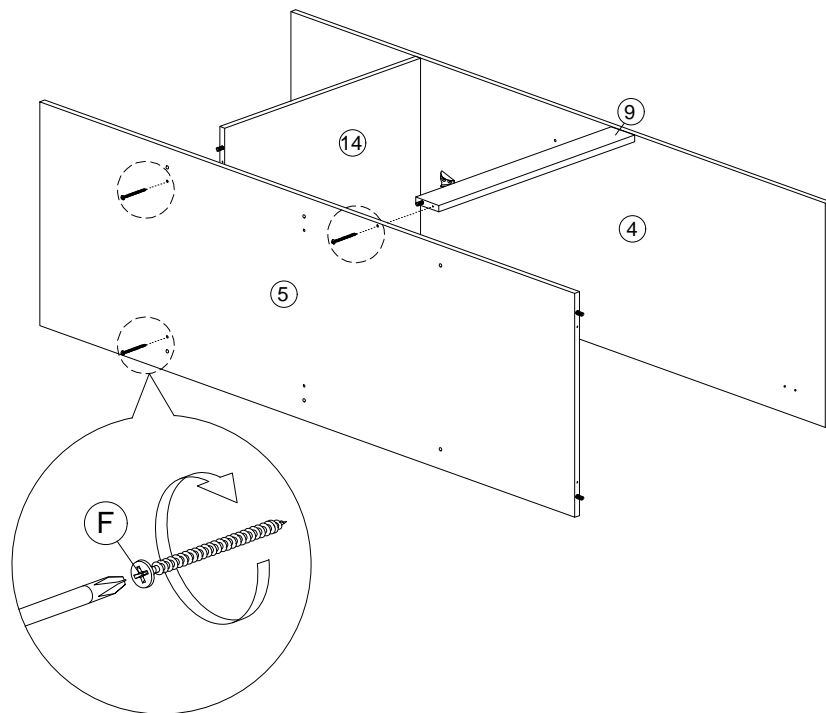
Step 7

F		M4x45mm Screw	3Pcs
---	---	---------------	------




Step 8

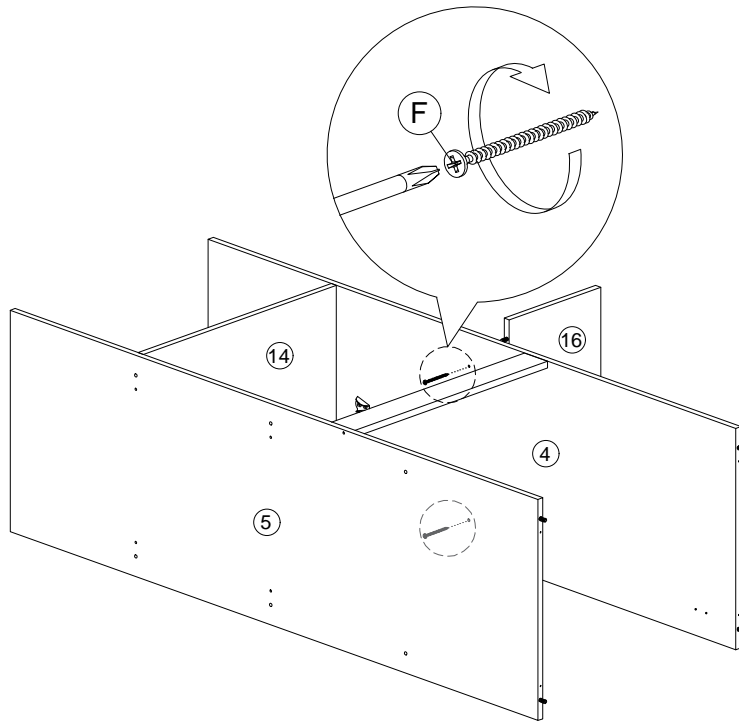
F		M4x45mm Screw	3Pcs
---	---	---------------	------




# Assembly Instruction

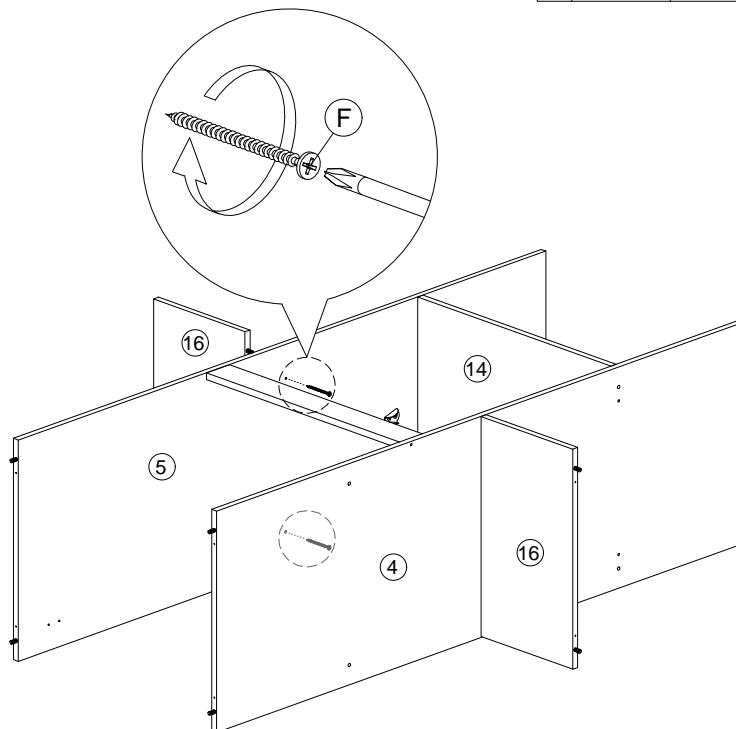
Step 9

F		M4x45mm Screw	2Pcs
---	---	---------------	------




Step 10

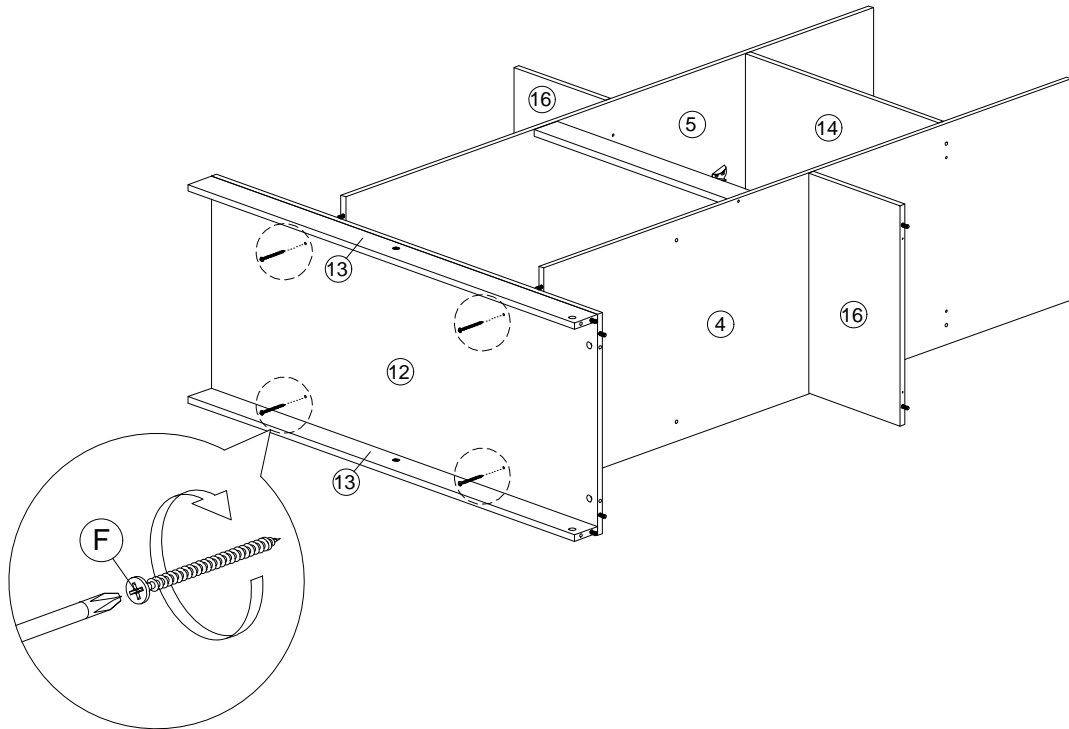
F		M4x45mm Screw	2Pcs
---	---	---------------	------




# Assembly Instruction

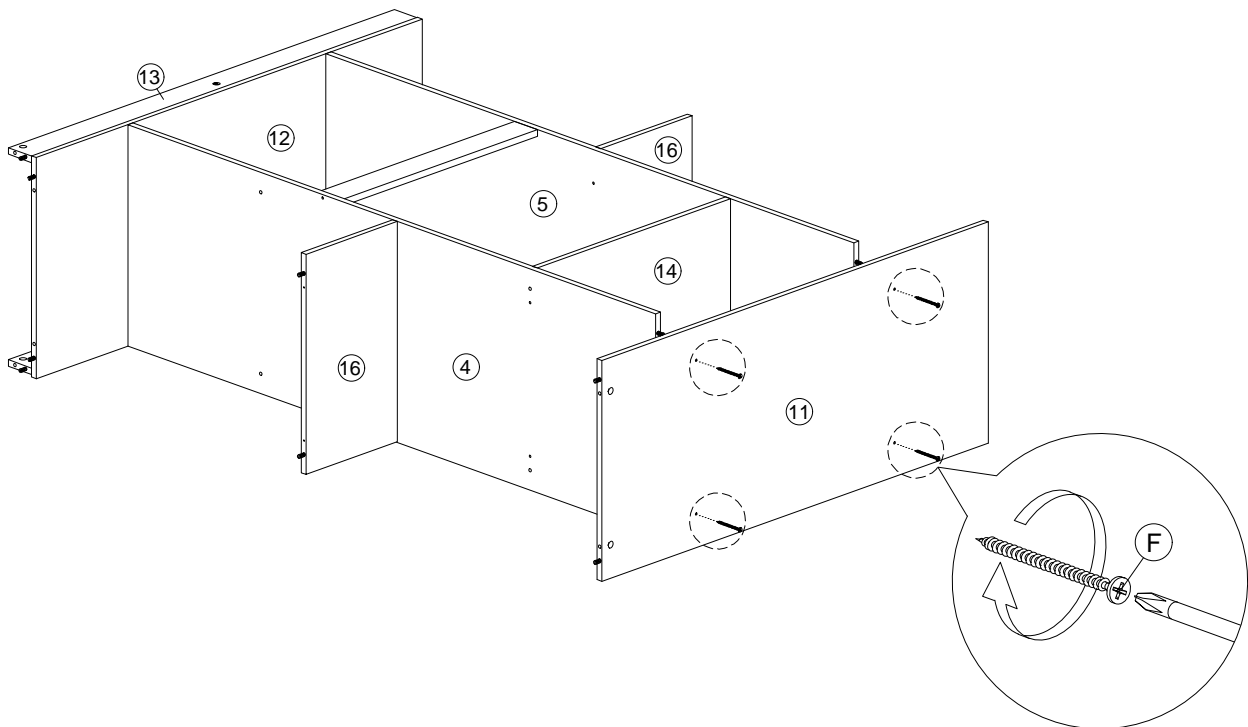
Step 11 

F		M4x45mm Screw	4Pcs
---	---	---------------	------



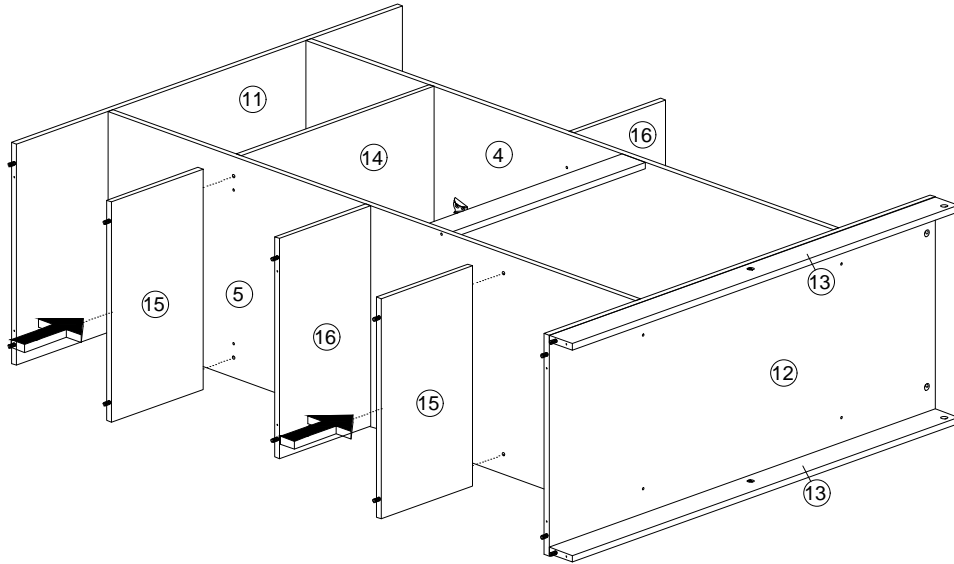
Step 12 

F		M4x45mm Screw	4Pcs
---	---	---------------	------




# Assembly Instruction

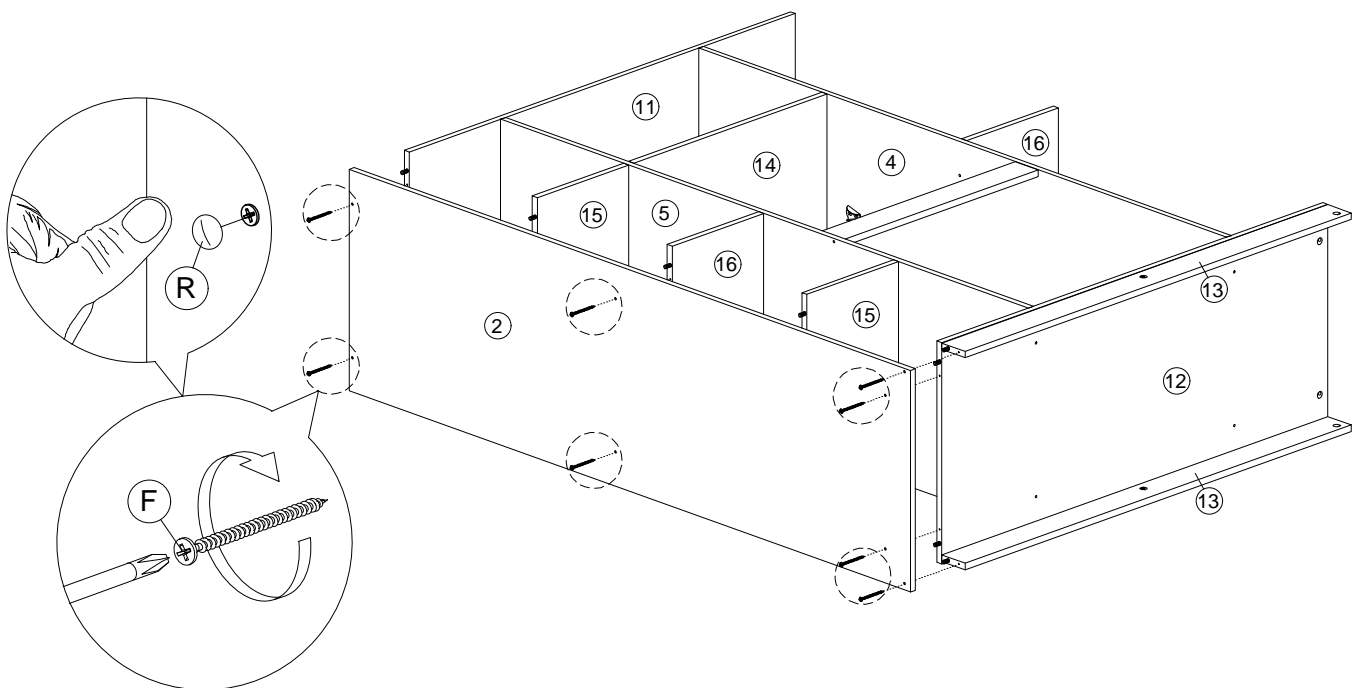
## Step 13



## Step 14

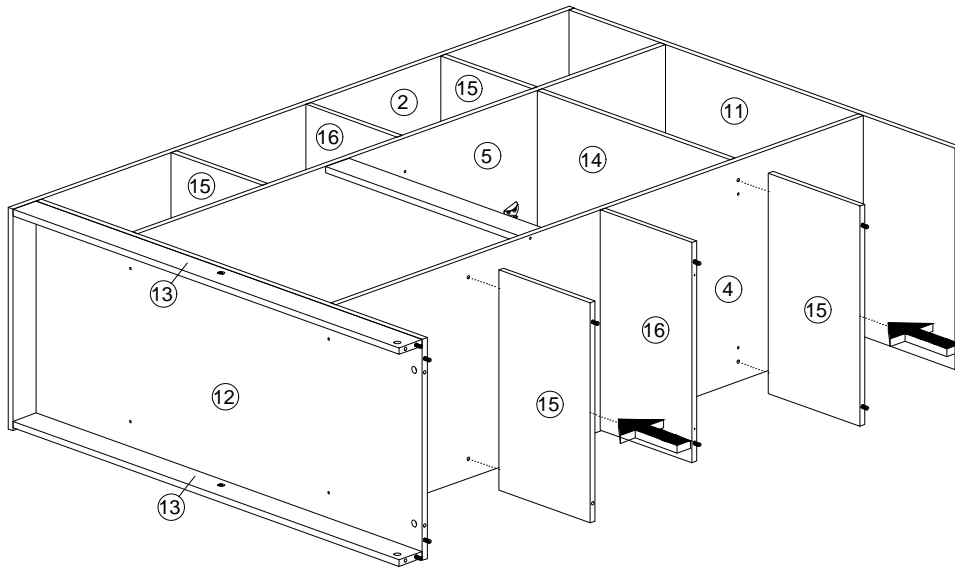
F  M4x45mm Screw 8Pcs

R  Sticker 8Pcs




# Assembly Instruction

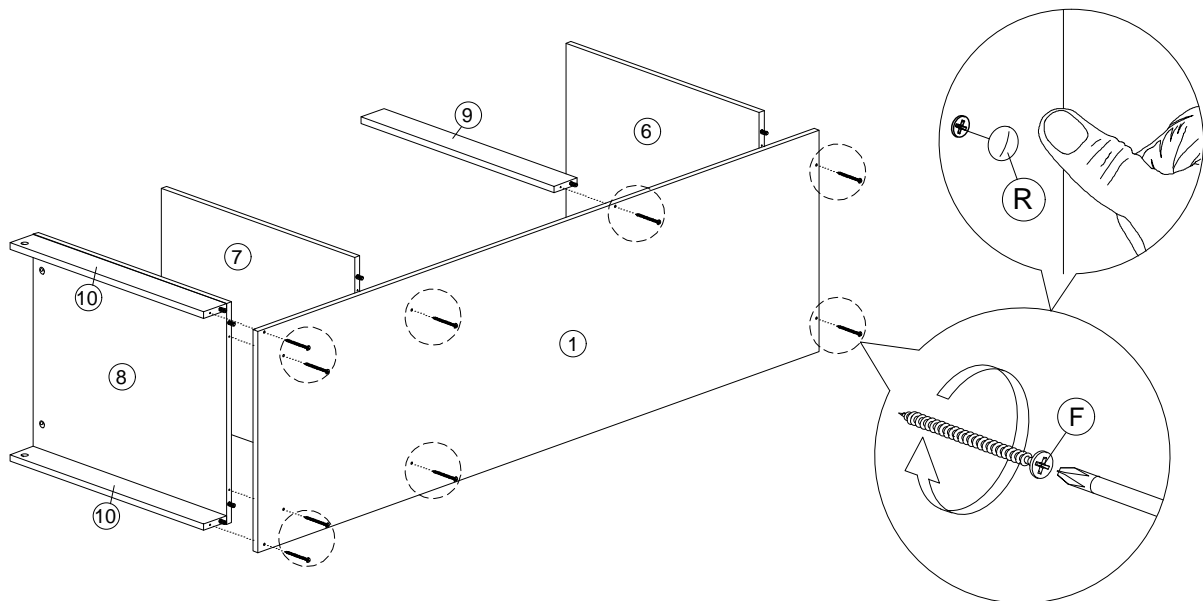
## Step 15



## Step 16



F  M4x45mm Screw 9Pcs

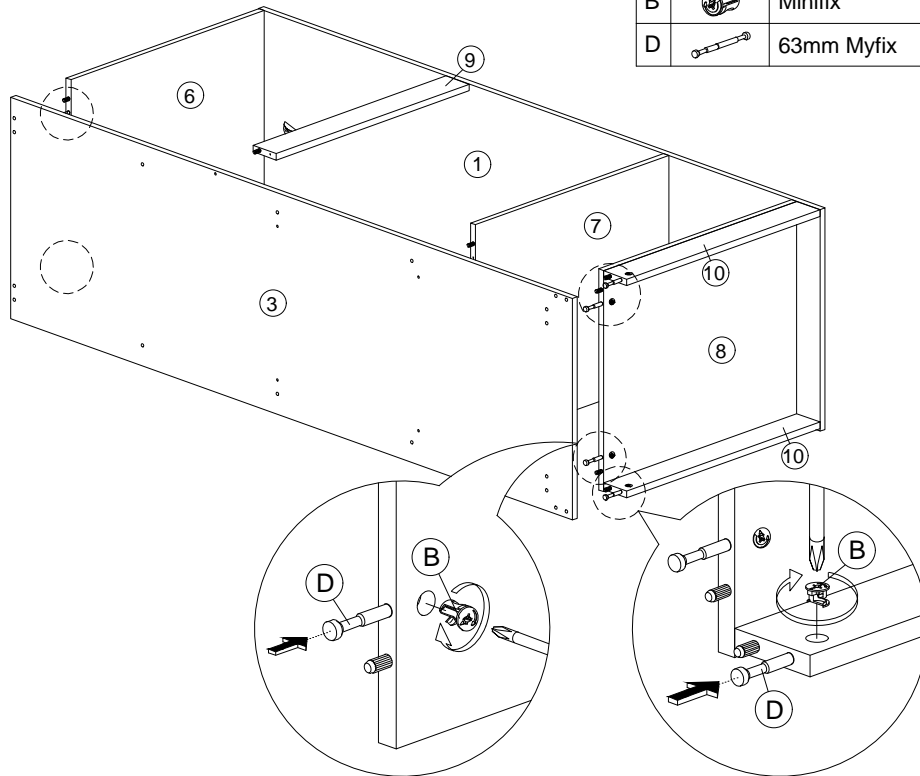
R  Sticker 9Pcs




# Assembly Instruction

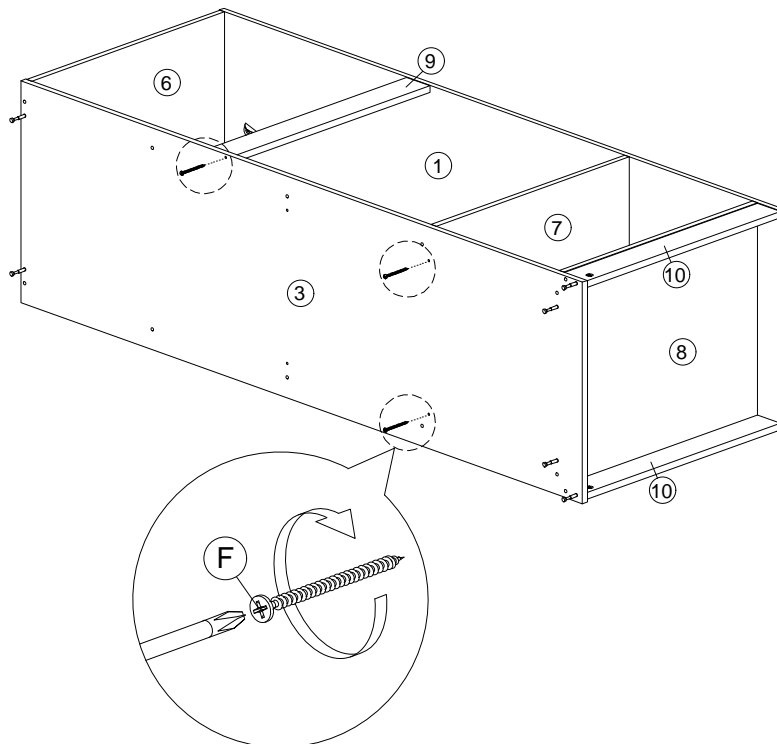
## Step 17

B		Minifix	6Pcs
D		63mm Myfix	6Pcs



## Step 18

F		M4x45mm Screw	3Pcs
---	---	---------------	------



# Assembly Instruction

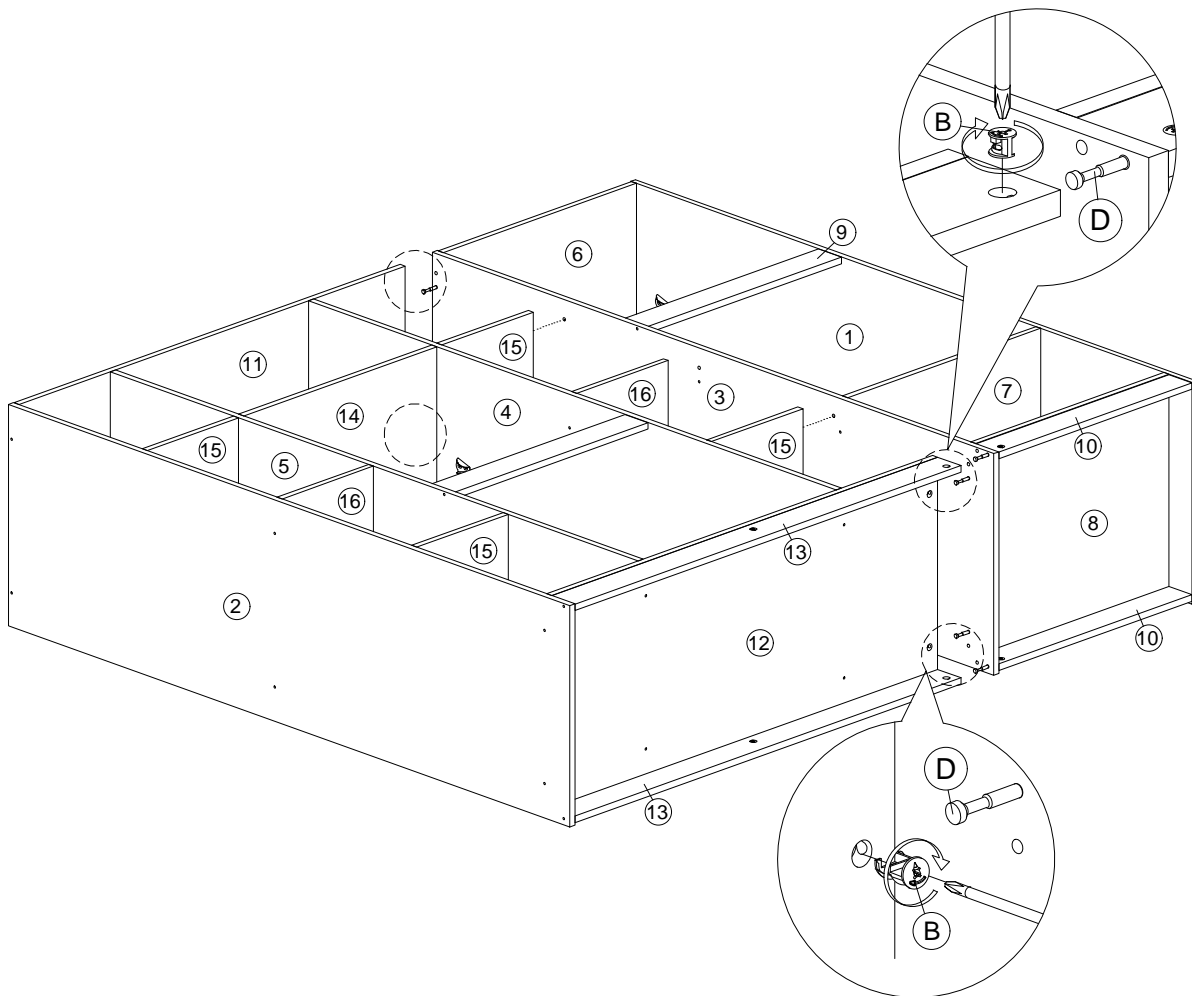
Step 19

B




Minifix

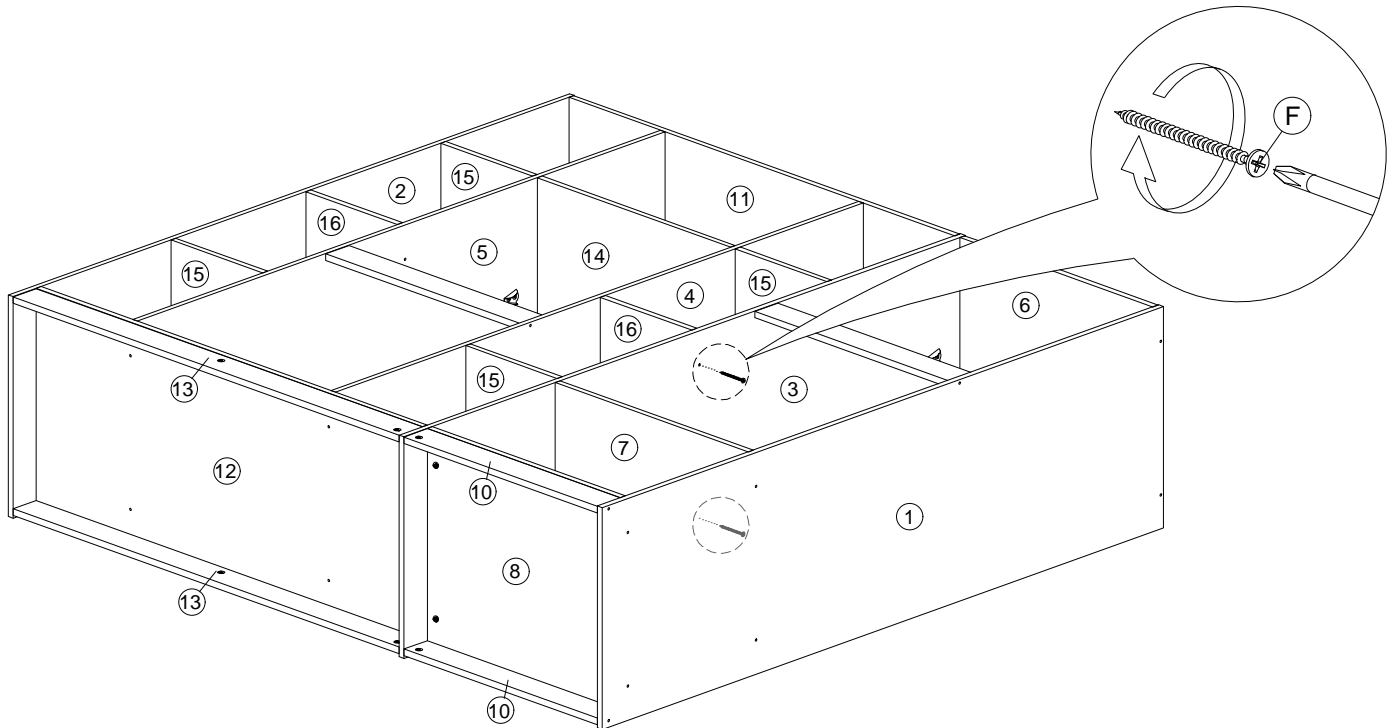
6Pcs




# Assembly Instruction

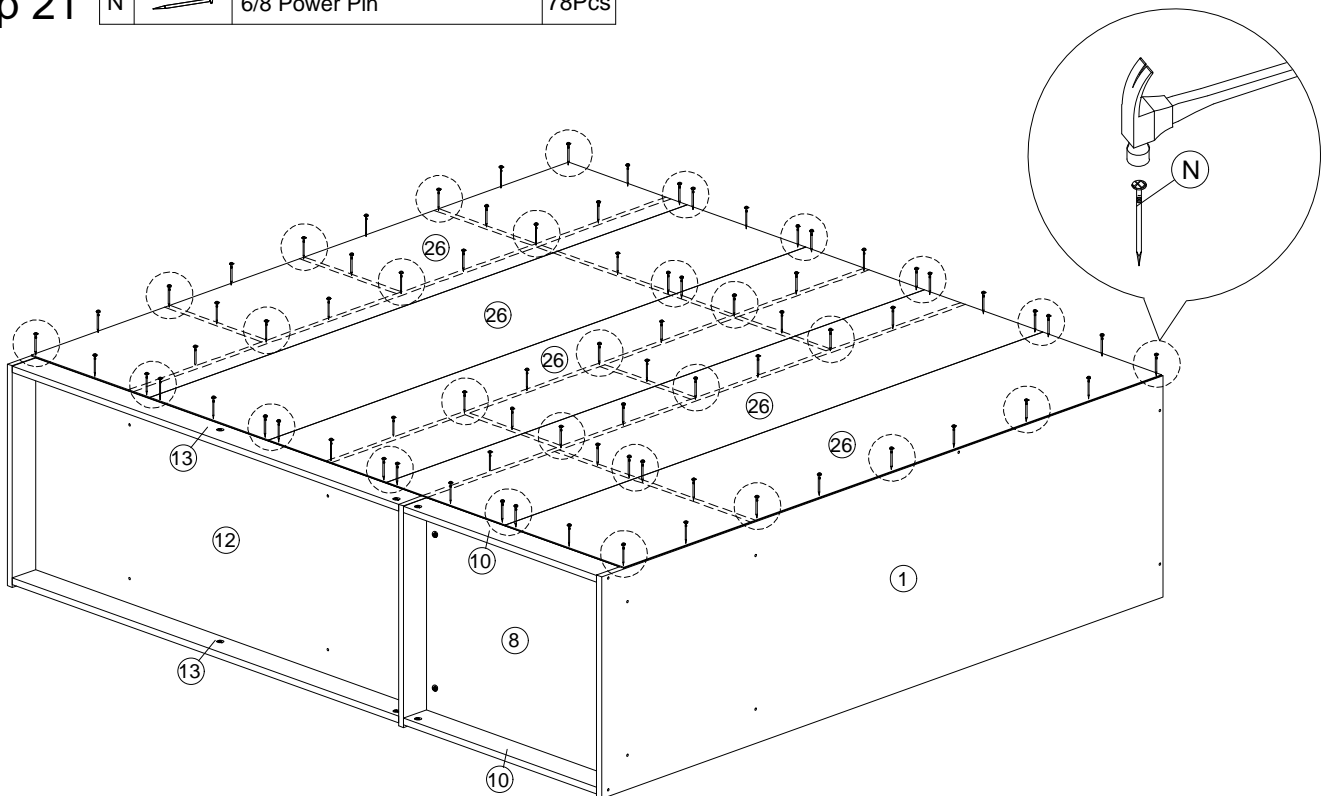
Step 20 

F		M4x45mm Screw	2Pcs
---	---	---------------	------



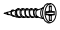
Step 21 

N		6/8 Power Pin	78Pcs
---	---	---------------	-------

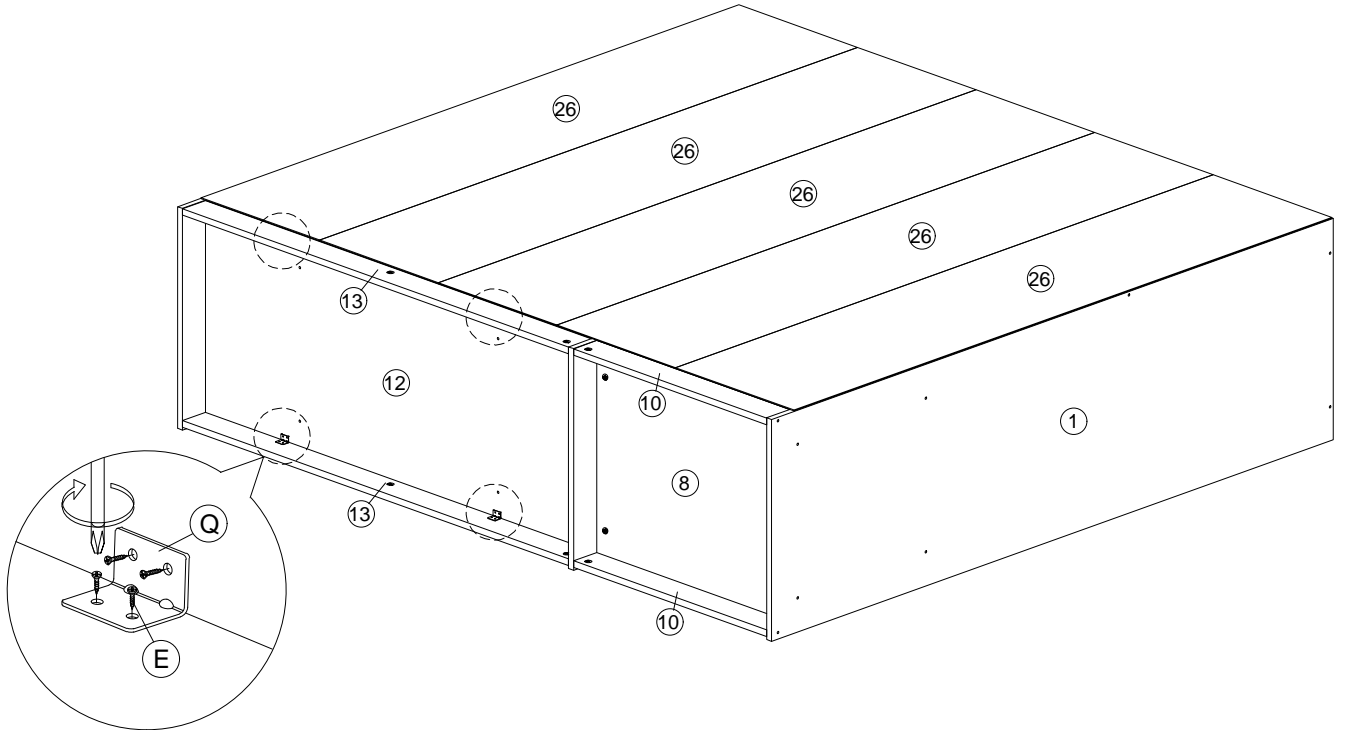


# Assembly Instruction

Step 22

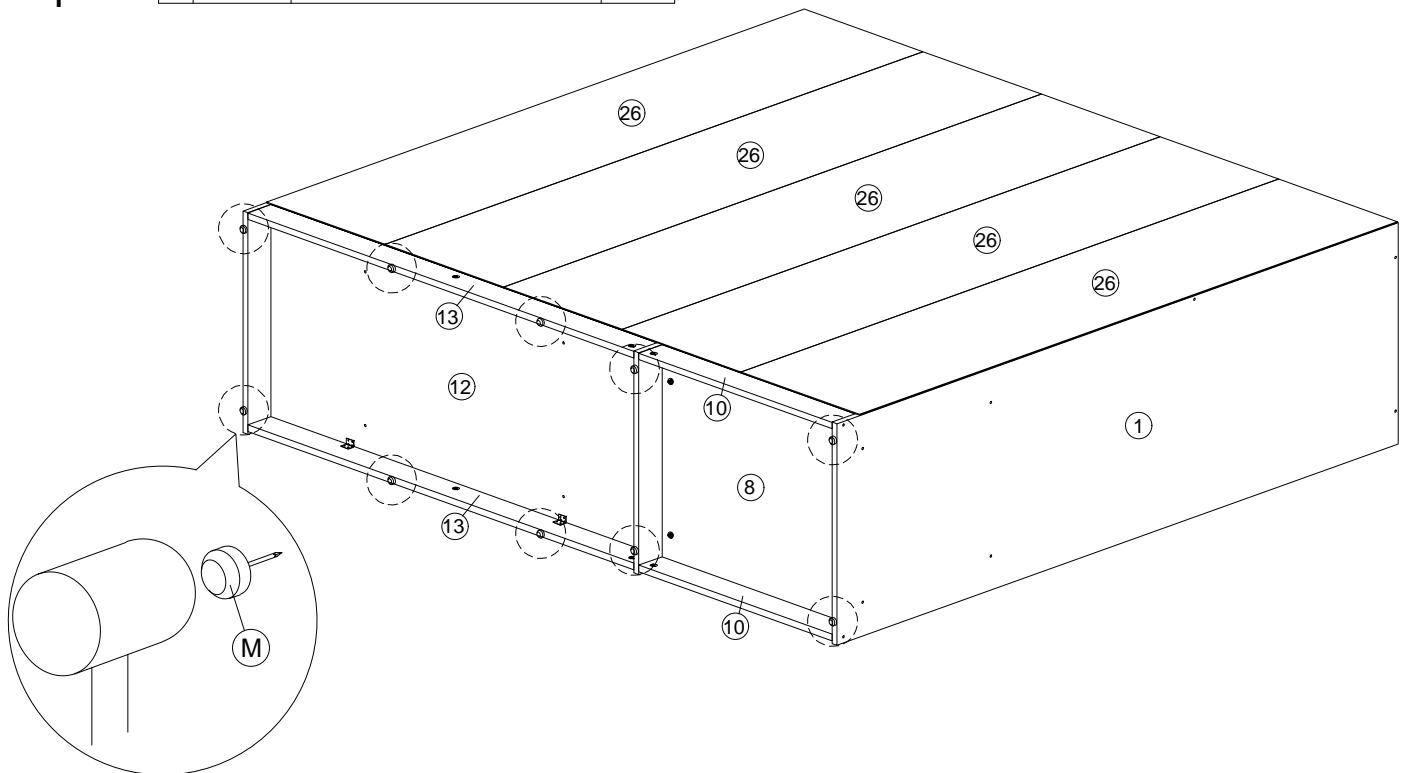
E  M3.5x16mm Screw 16Pcs

Q  L Bracket 4Pcs



Step 23

M  5/8 Nail With Pin 10Pcs



# Assembly Instruction

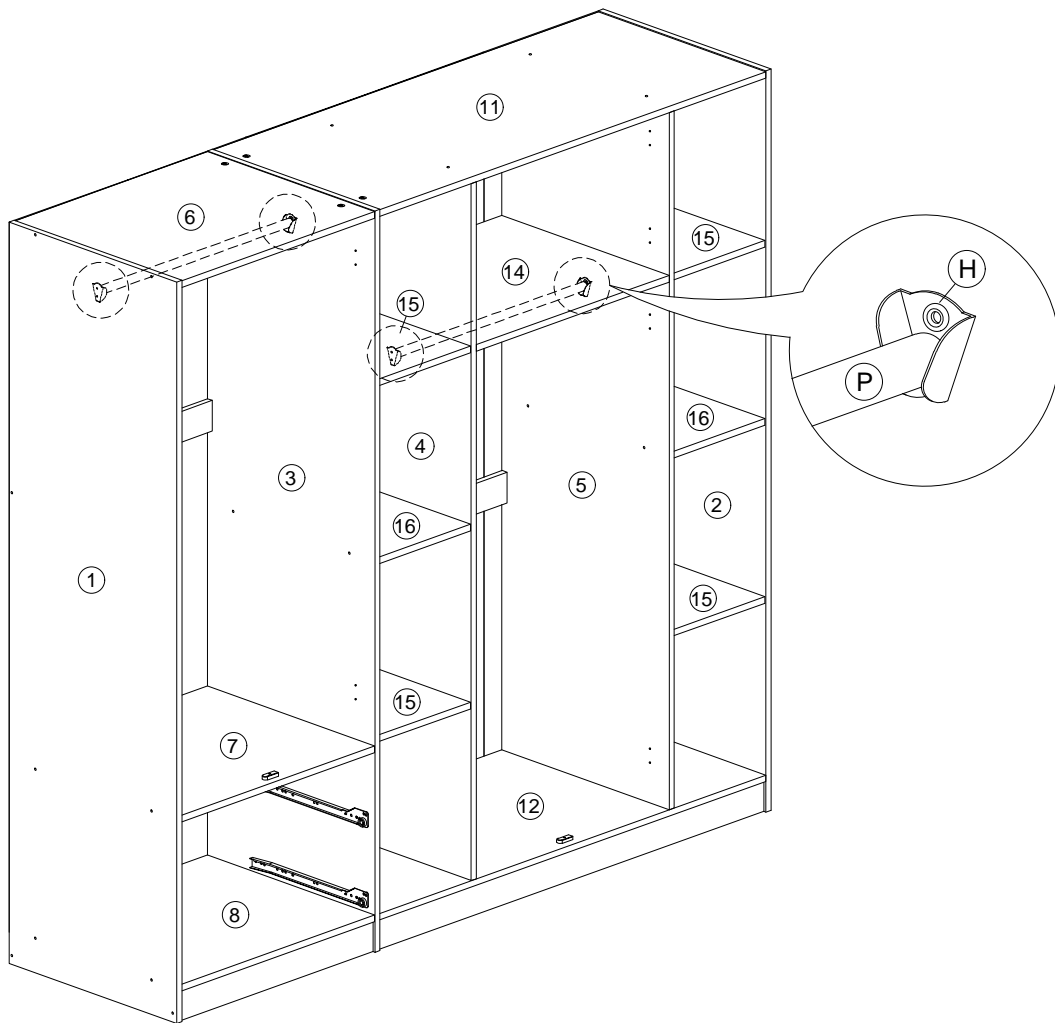
Step 24

P



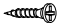
Aluminium Pipe(578mm)


2Pcs

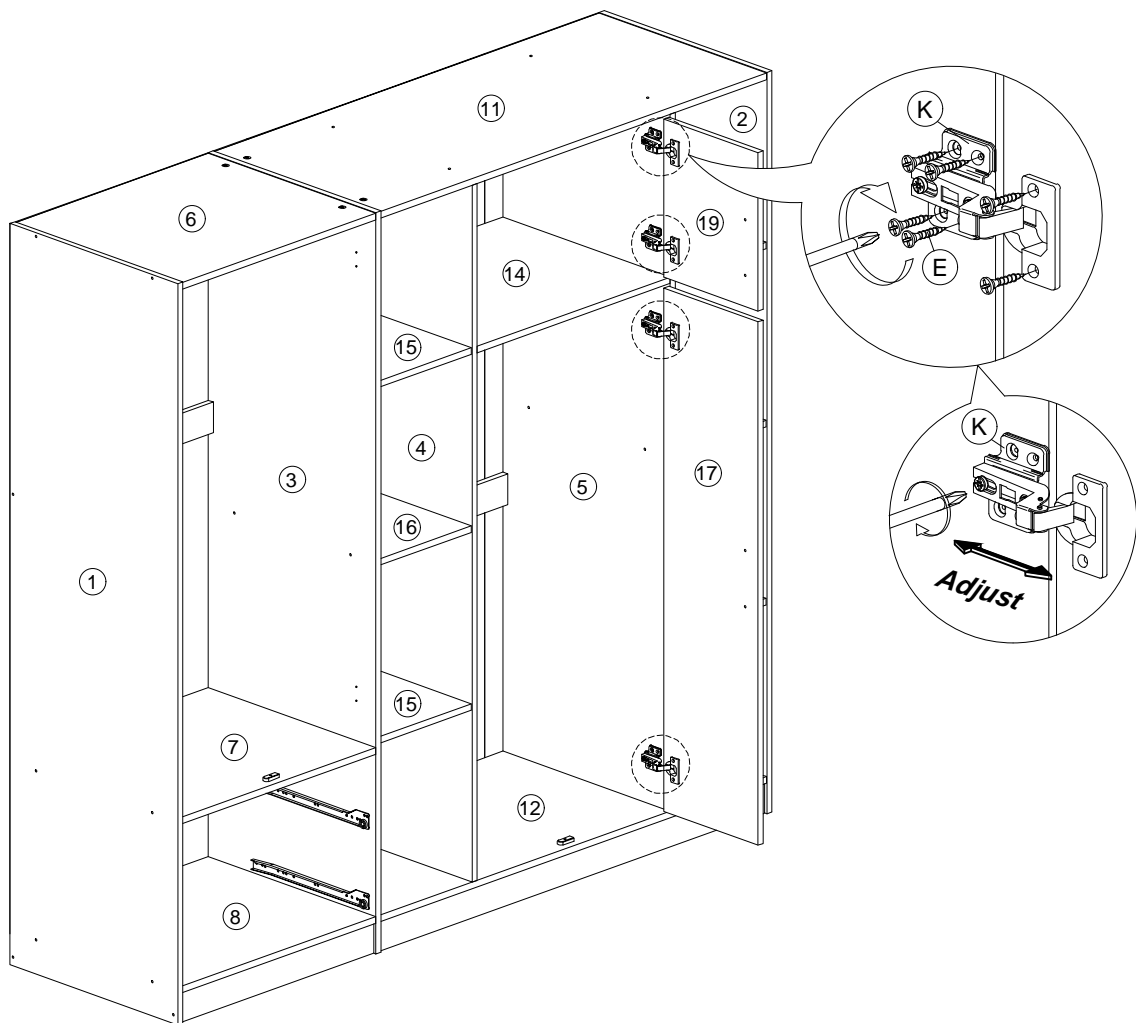


# Assembly Instruction

Step 25


E		M3.5x16mm Screw	24Pcs
---	---	-----------------	-------


K		Hinges 7/8	4Pcs
---	---	------------	------

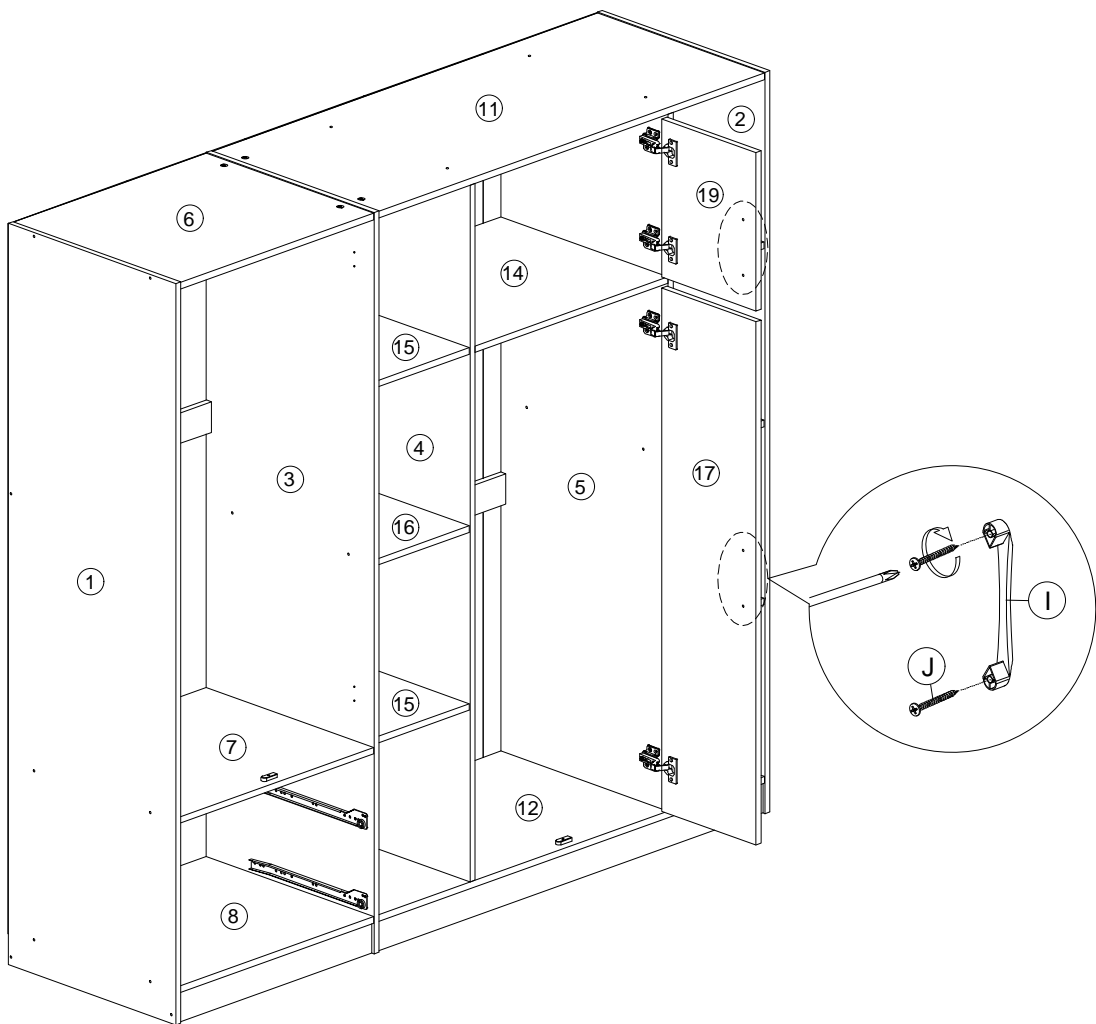


# Assembly Instruction

Step 26

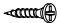
I  Handle KT59.128 2Pcs


J  M4x28mm Screw 4Pcs

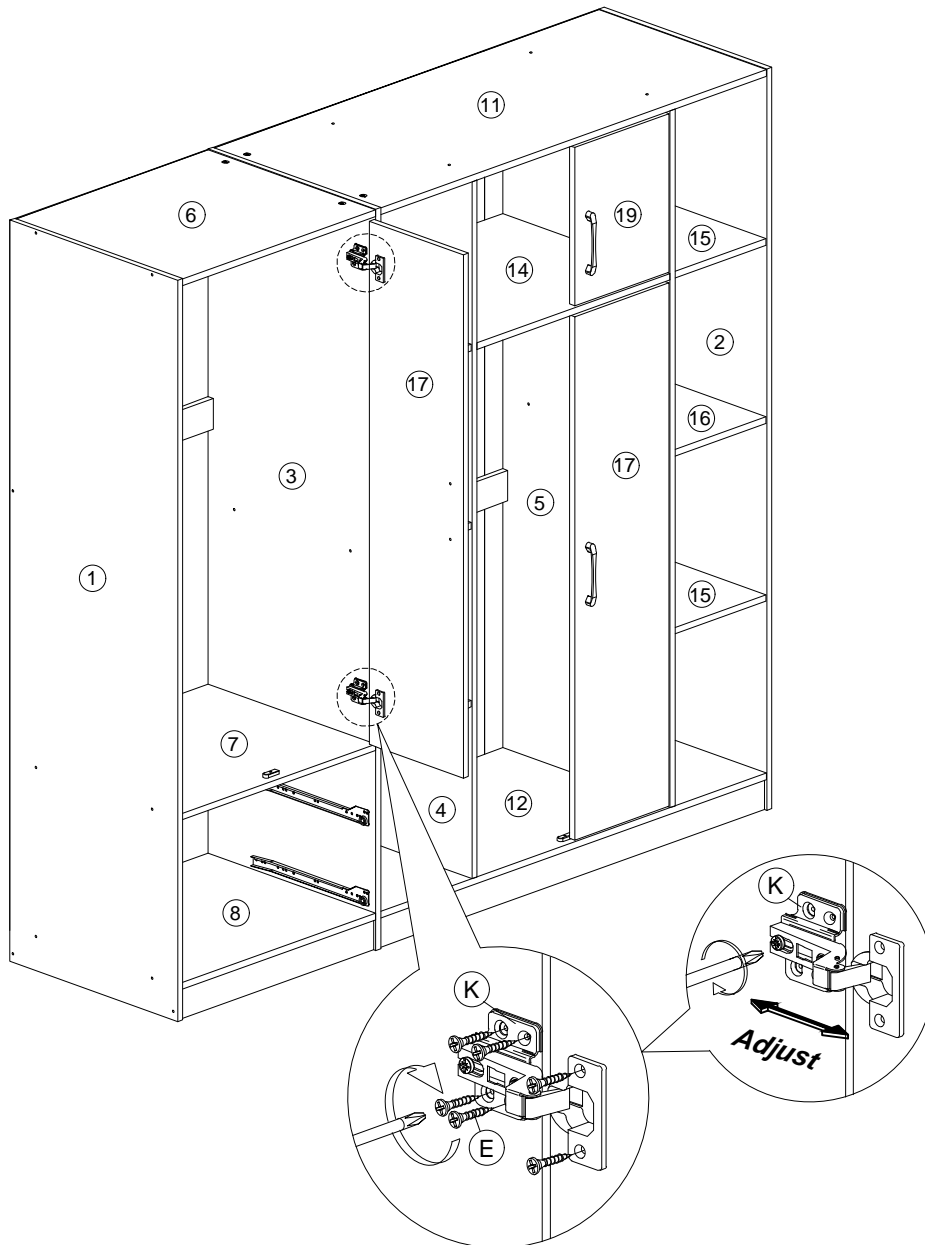


# Assembly Instruction

Step 27


E  M3.5x16mm Screw 12Pcs


K  Hinges 7/8 2Pcs

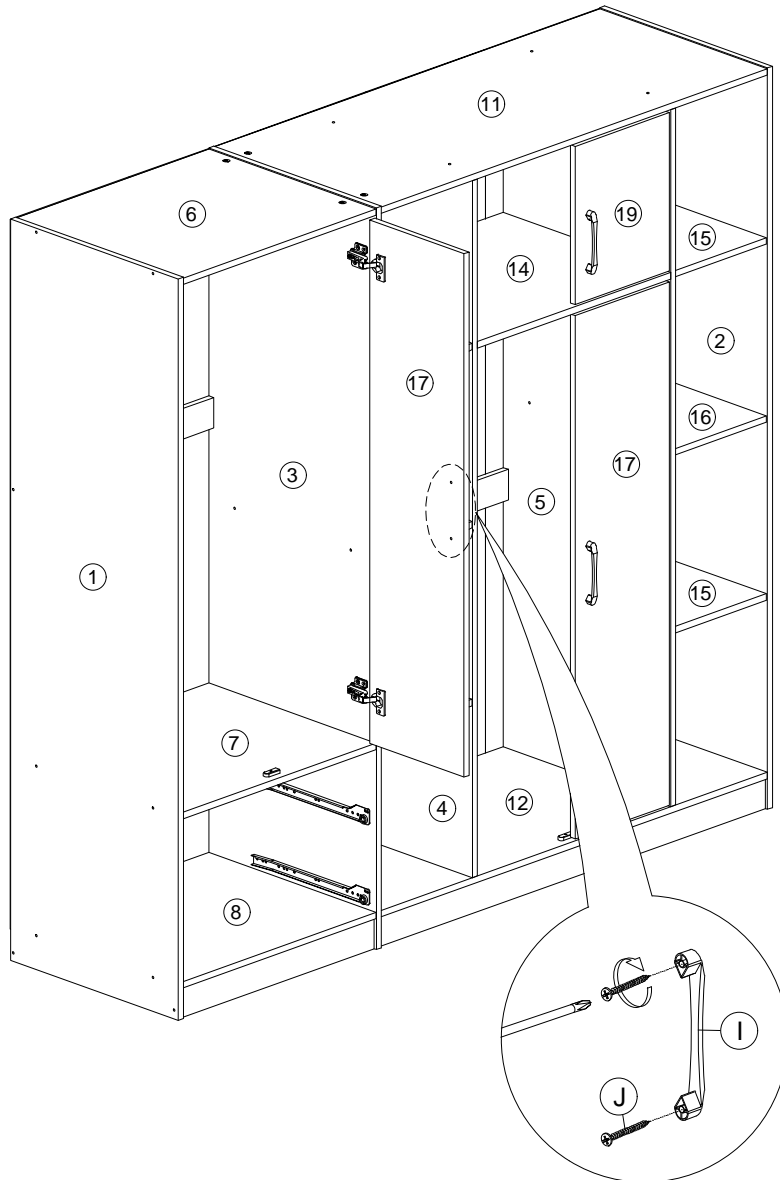


# Assembly Instruction

Step 28

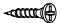
I		Handle KT59.128	1Pc
---	---	-----------------	-----


J		M4x28mm Screw	2Pcs
---	---	---------------	------

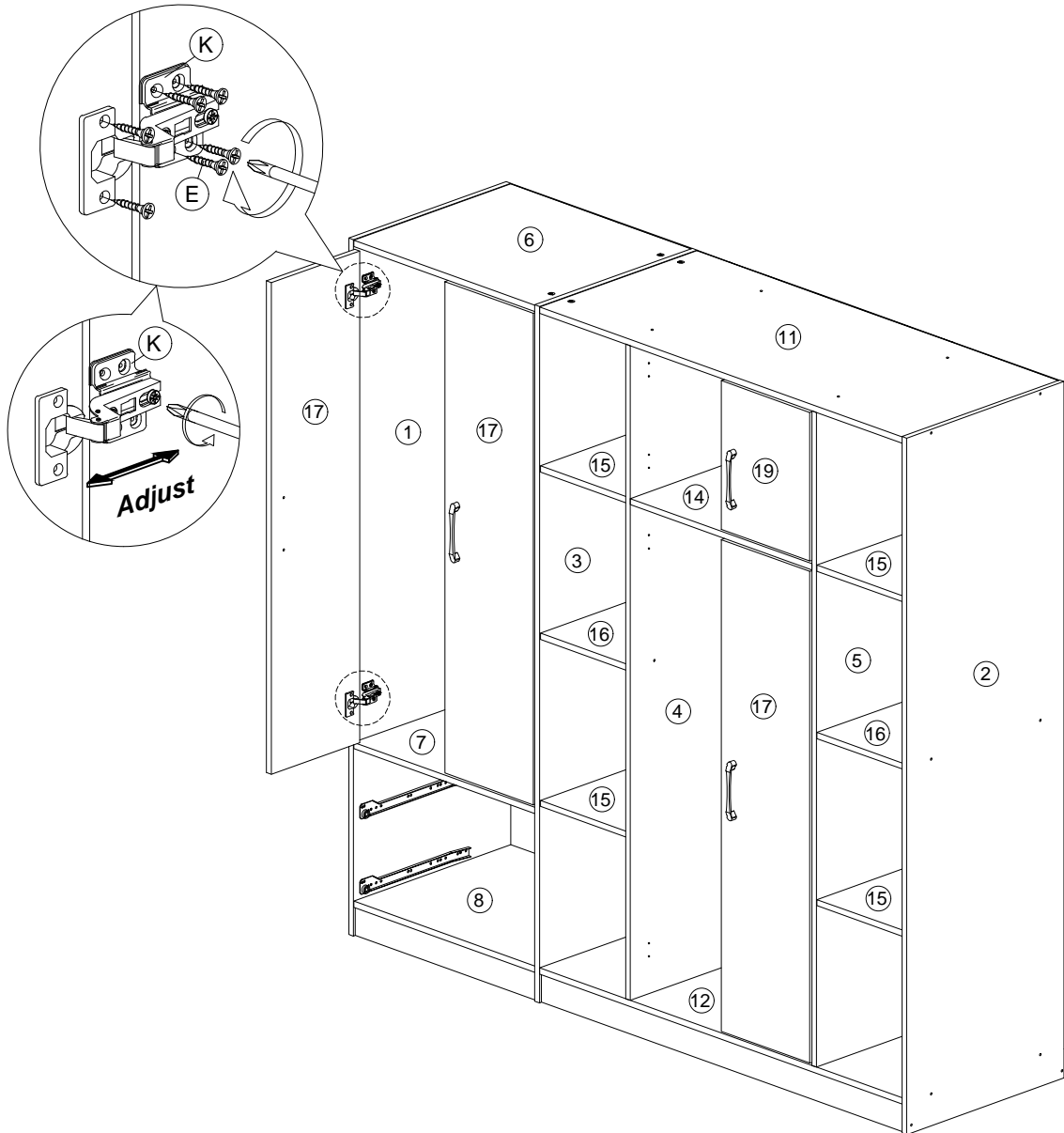


# Assembly Instruction

Step 29


E  M3.5x16mm Screw 12Pcs


K  Hinges 7/8 2Pcs

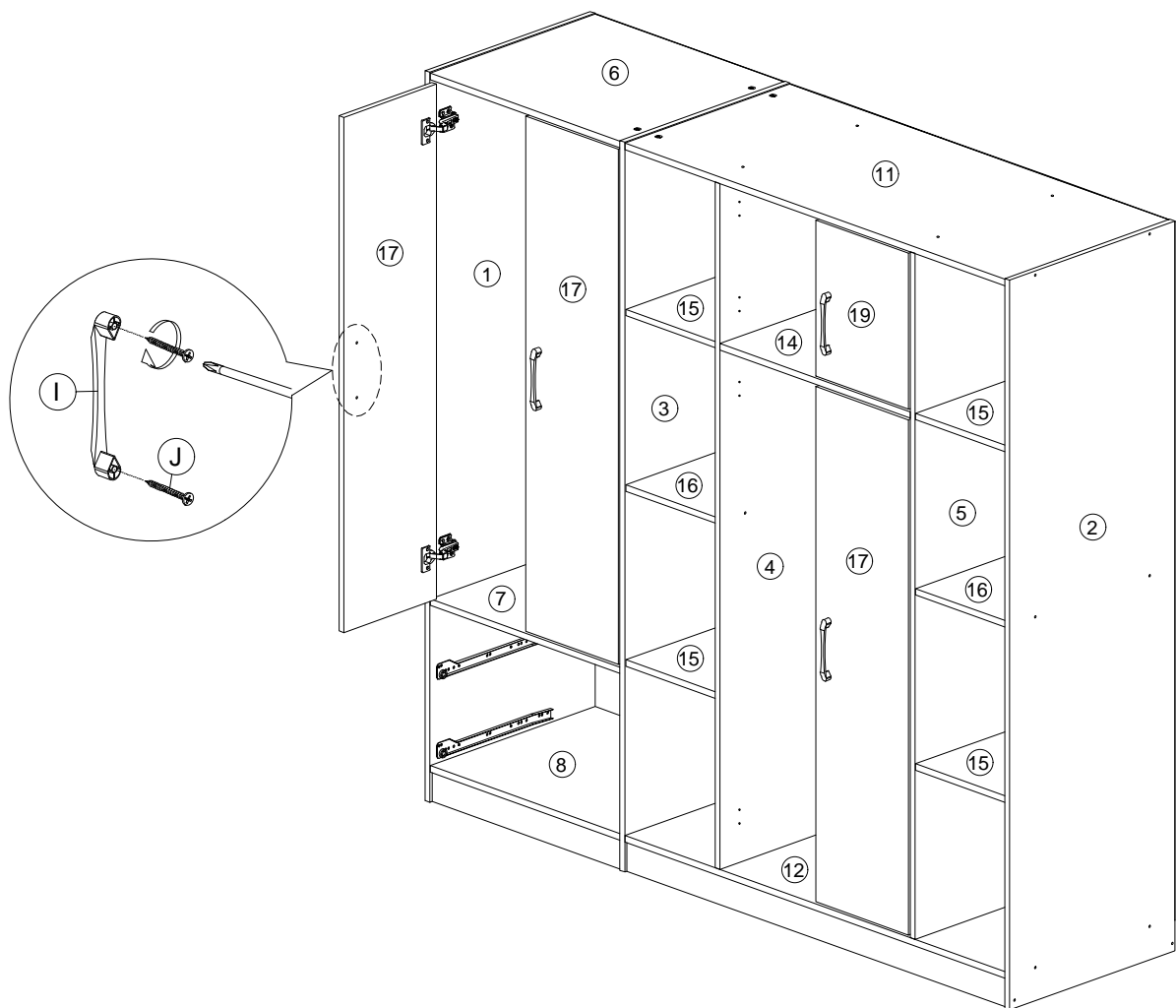


# Assembly Instruction

Step 30

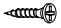
I		Handle KT59.128	1Pc
---	---	-----------------	-----


J		M4x28mm Screw	2Pcs
---	---	---------------	------

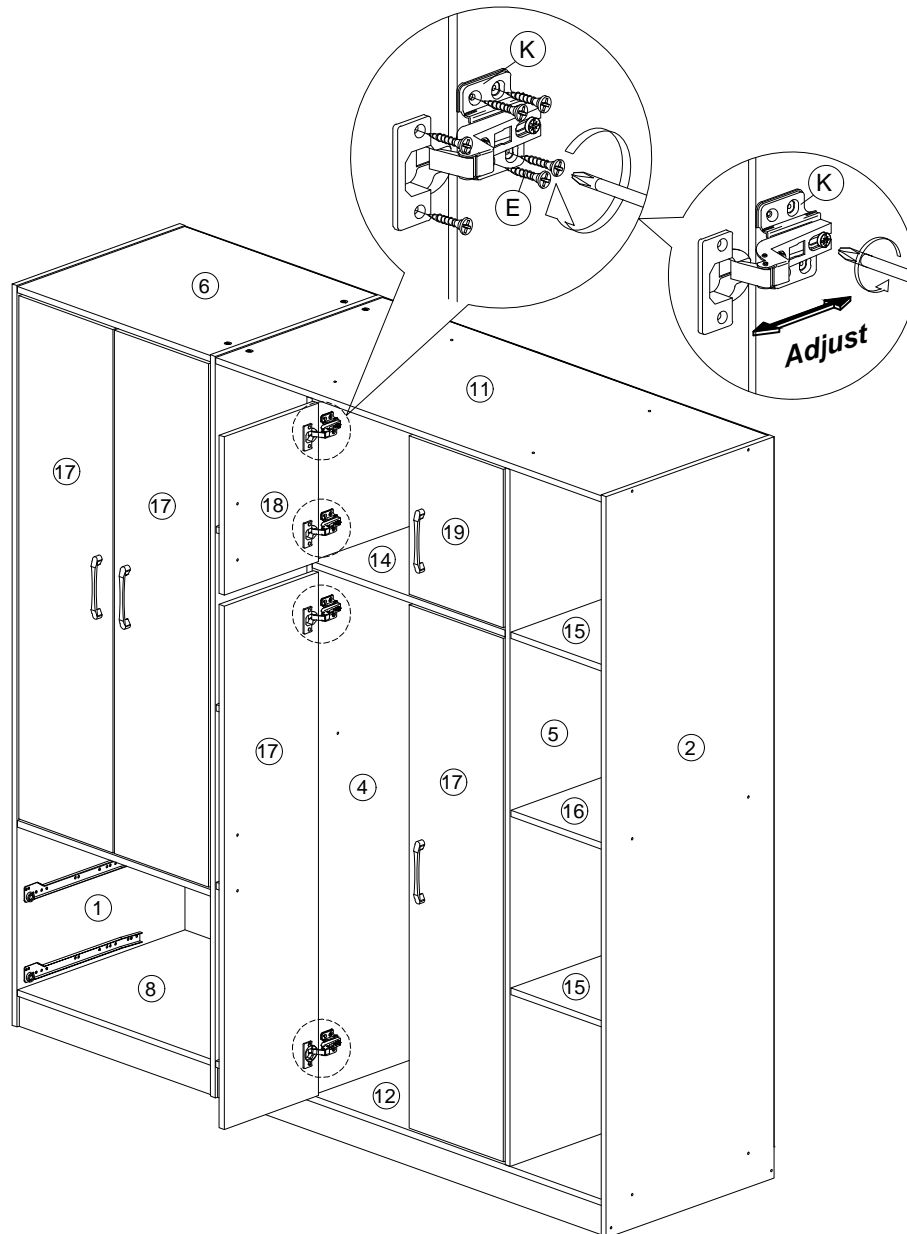


# Assembly Instruction

Step 31


E		M3.5x16mm Screw	24Pcs
---	---	-----------------	-------


K		Hinges 7/8	4Pcs
---	---	------------	------

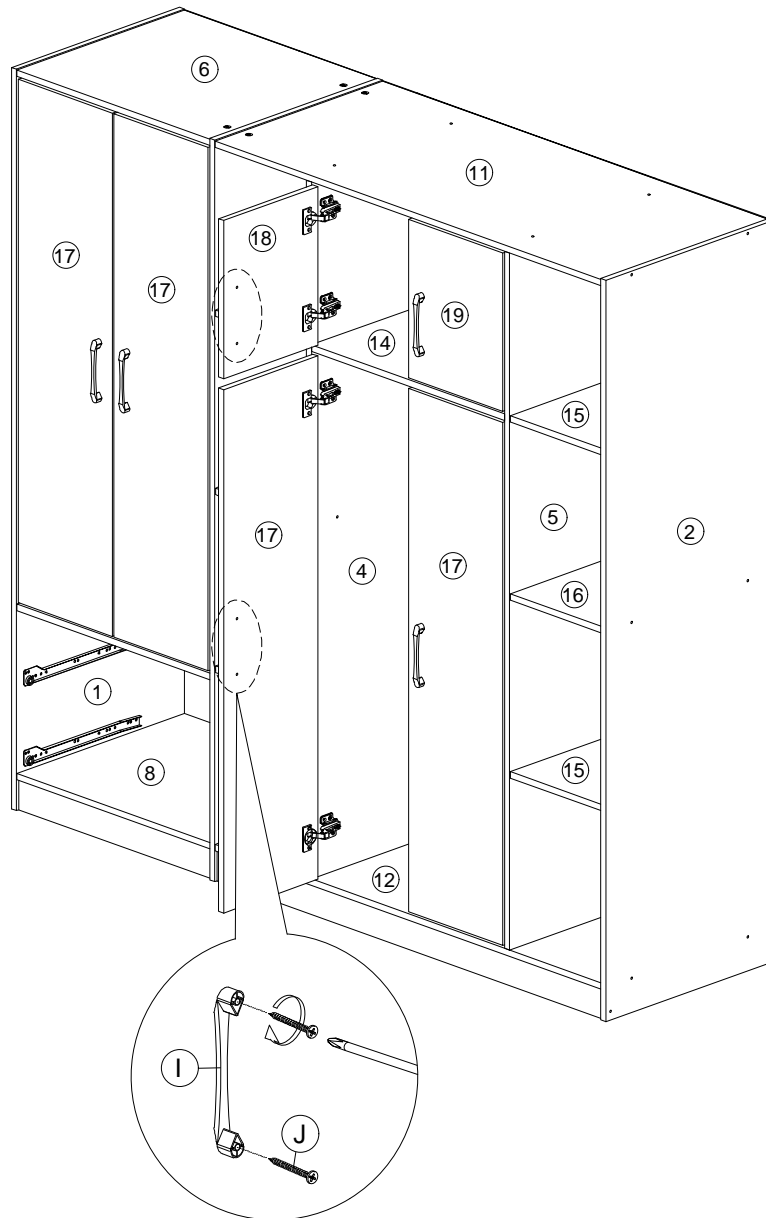


# Assembly Instruction

Step 32


I  Handle KT59.128 2Pcs

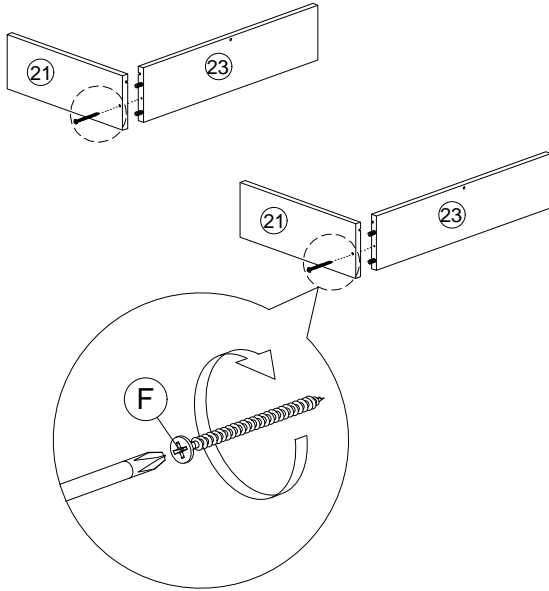
J  M4x28mm Screw 4Pcs




# Assembly Instruction

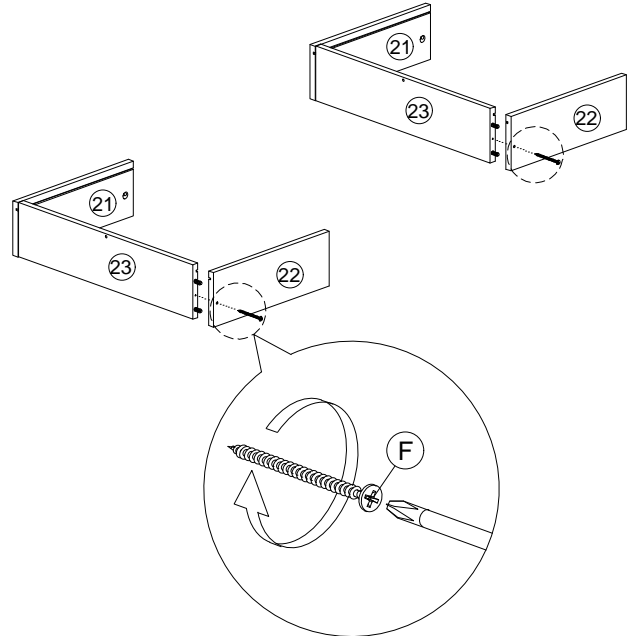
Step 33 

F		M4x45mm Screw	2Pcs
---	---	---------------	------




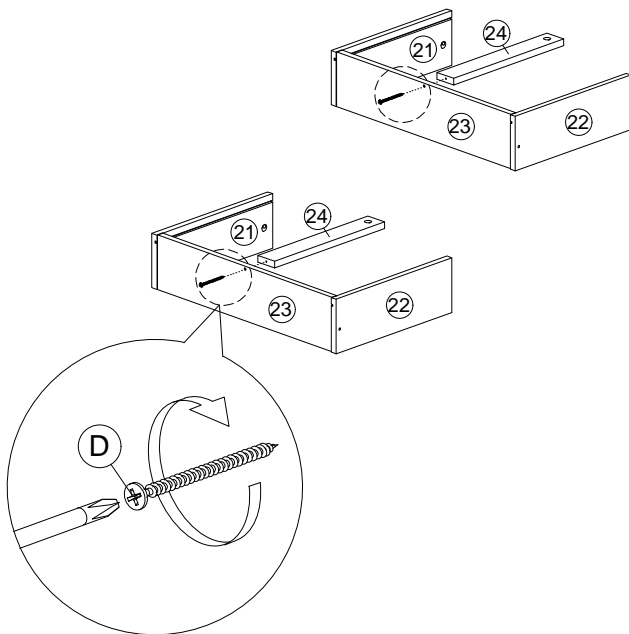
Step 34 

F		M4x45mm Screw	2Pcs
---	---	---------------	------

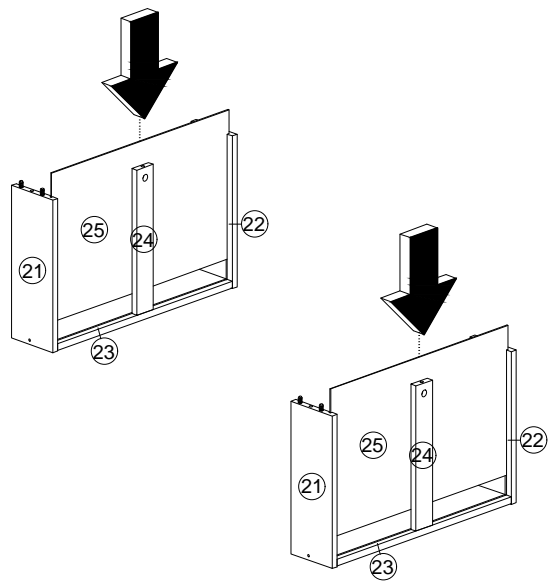


Step 35 

F		M4x45mm Screw	2Pcs
---	---	---------------	------



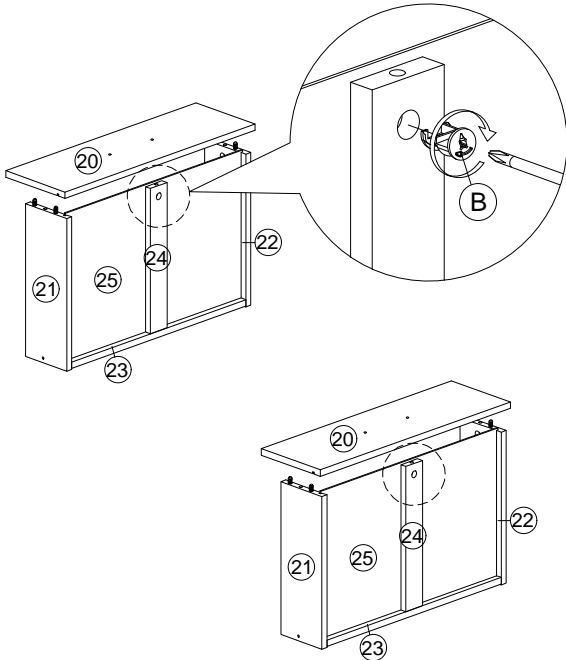
Step 36



# Assembly Instruction

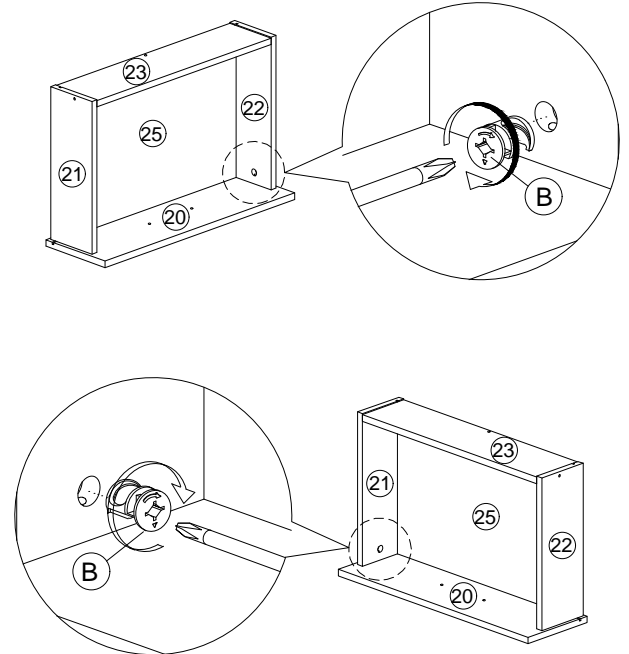
Step 37 

B		Minifix	2Pcs
---	---	---------	------



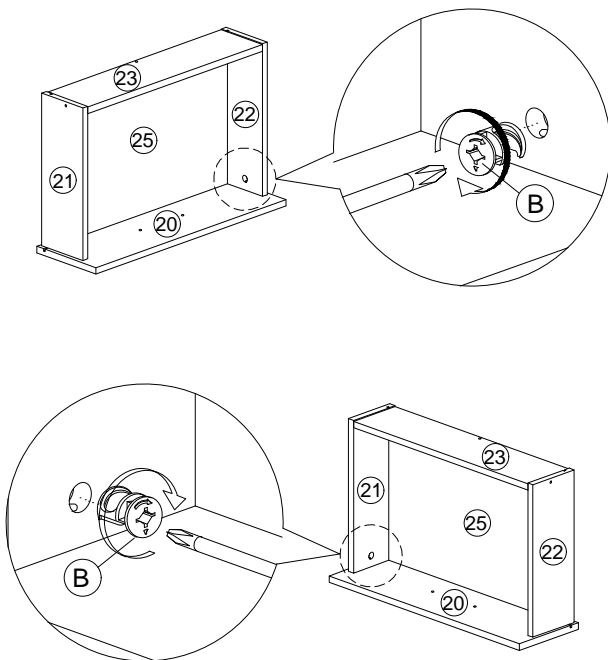
Step 38 

B		Minifix	2Pcs
---	---	---------	------





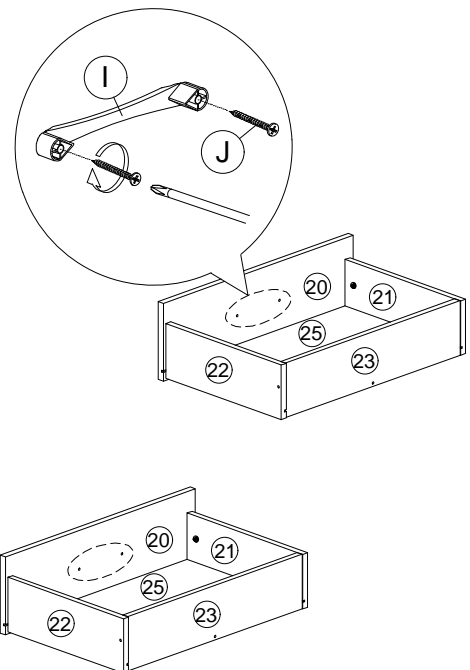
Step 39 

B		Minifix	2Pcs
---	---	---------	------





Step 40 

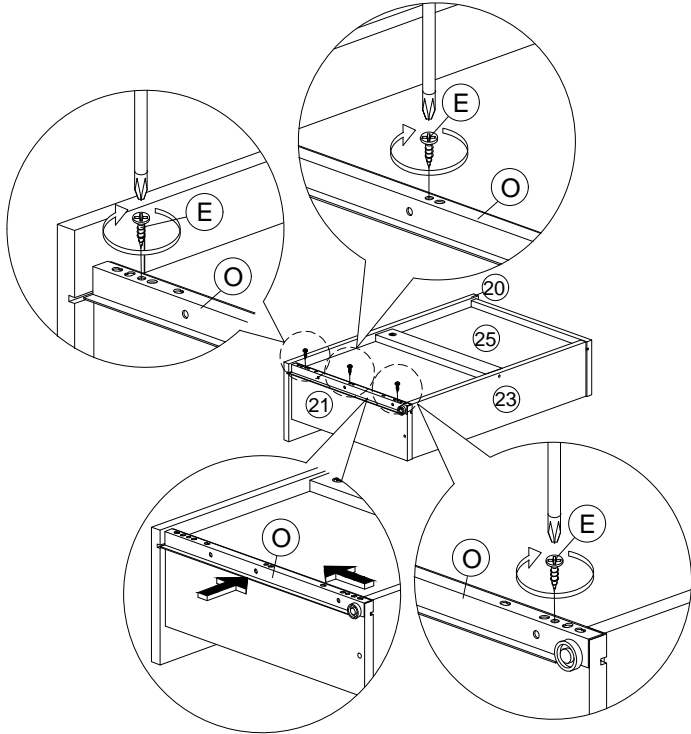
I		Handle KT59.128	2Pcs
J		M4x28mm Screw	4Pcs





# Assembly Instruction

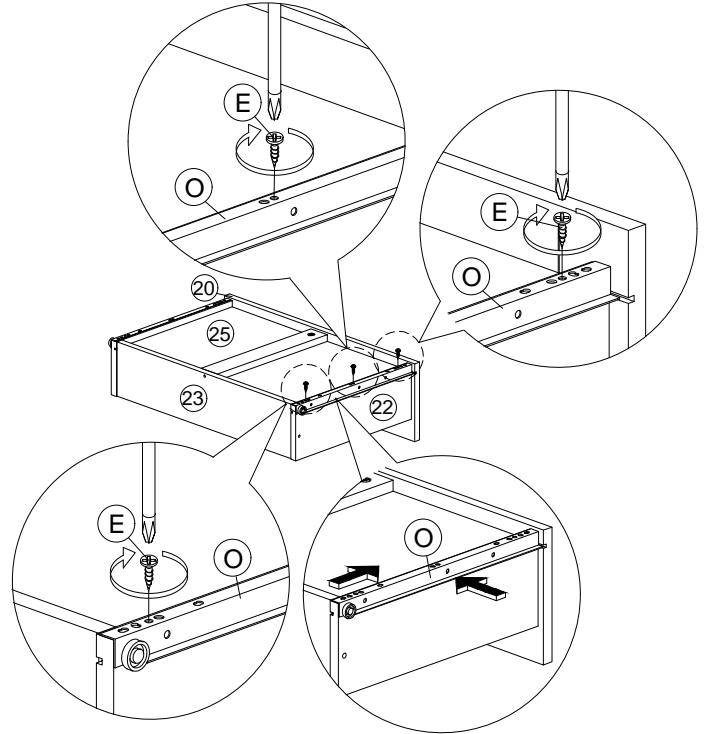
## Step 41

E		M3.5x16mm Screw	3Pcs
O		Drawer Slide 350mm - L	1Pc





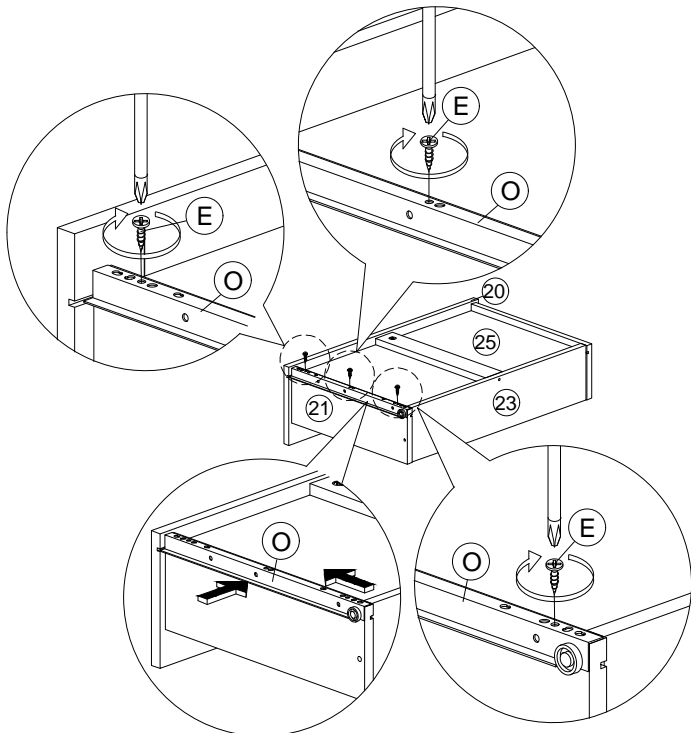
## Step 42

E		M3.5x16mm Screw	3Pcs
O		Drawer Slide 350mm - R	1Pc





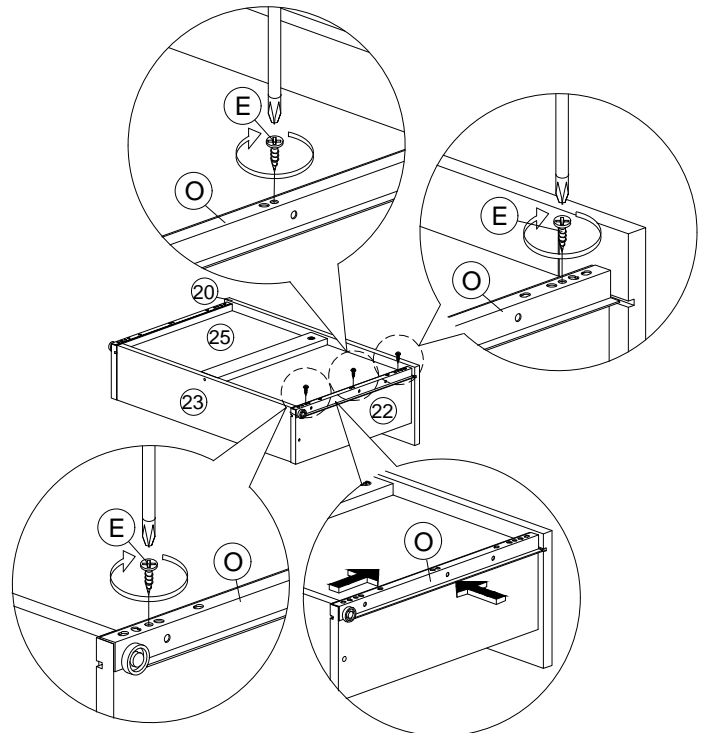
## Step 43

E		M3.5x16mm Screw	3Pcs
O		Drawer Slide 350mm - L	1Pc



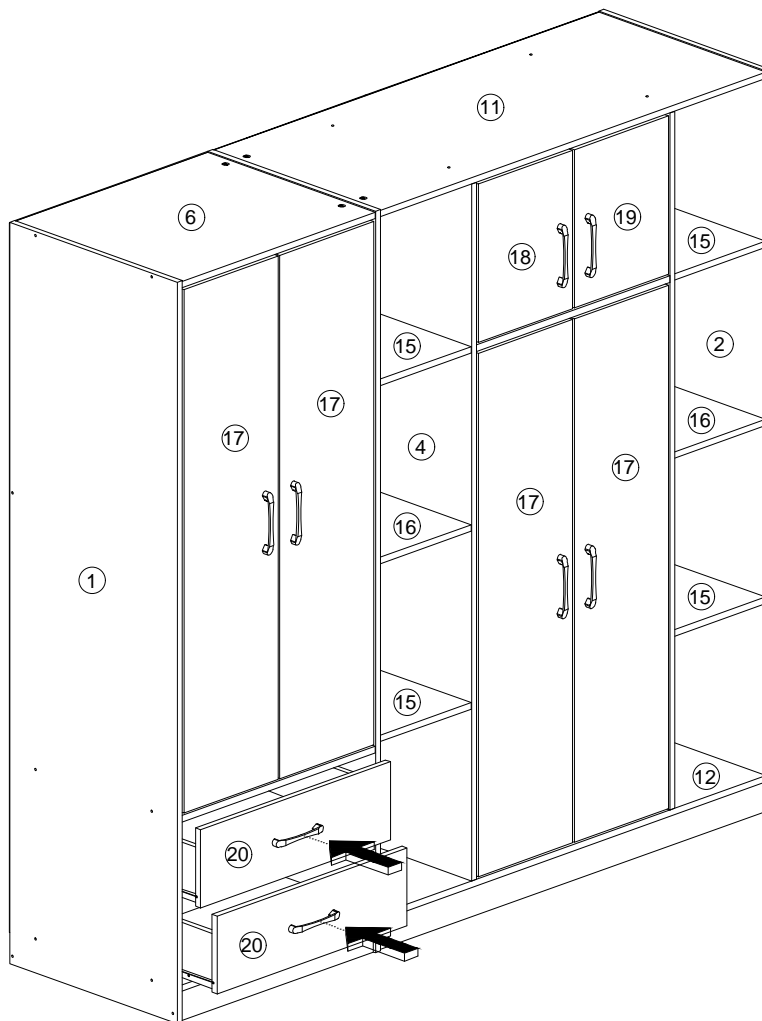
## Step 44

E		M3.5x16mm Screw	3Pcs
O		Drawer Slide 350mm - R	1Pc

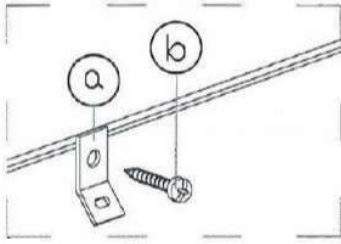


# Assembly Instruction

## Step 45

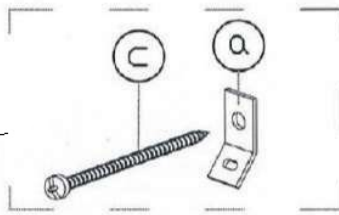
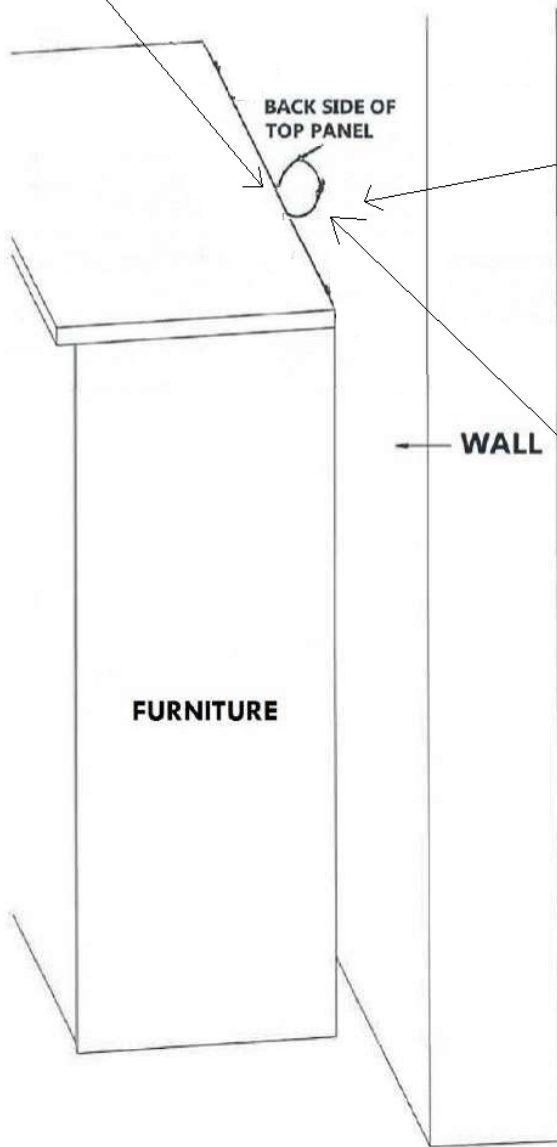


# FITTING OF ANTI-TIP SAFETY STRAP



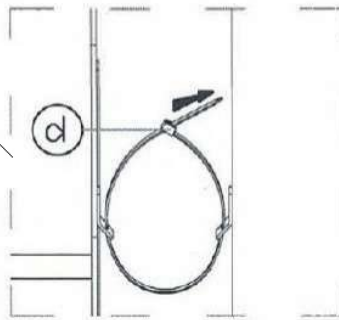
## STEP 1:

- Attach the mounting bracket (a) to the furniture in the solid part below the top panel a few inches away from the side of the unit.
- Screw (b) through the smallest hole of (a).



## STEP 2:

- Locate a stud in behind the wall to
- Place the other mounting bracket (a) on the wall stud 2 inches below the mounting bracket secured to the back of your unit.
- Attach to the wall stud using (c) through the smaller hole of (a).



## STEP 3:

- Repeat the same step a few inches away from the other side of the unit.
- Place the furniture into position so both mounting brackets are vertically in line.
- Lace the end of the restraint strap through the larger holes in each mounting bracket.
- Secure the straps and lock into place.

