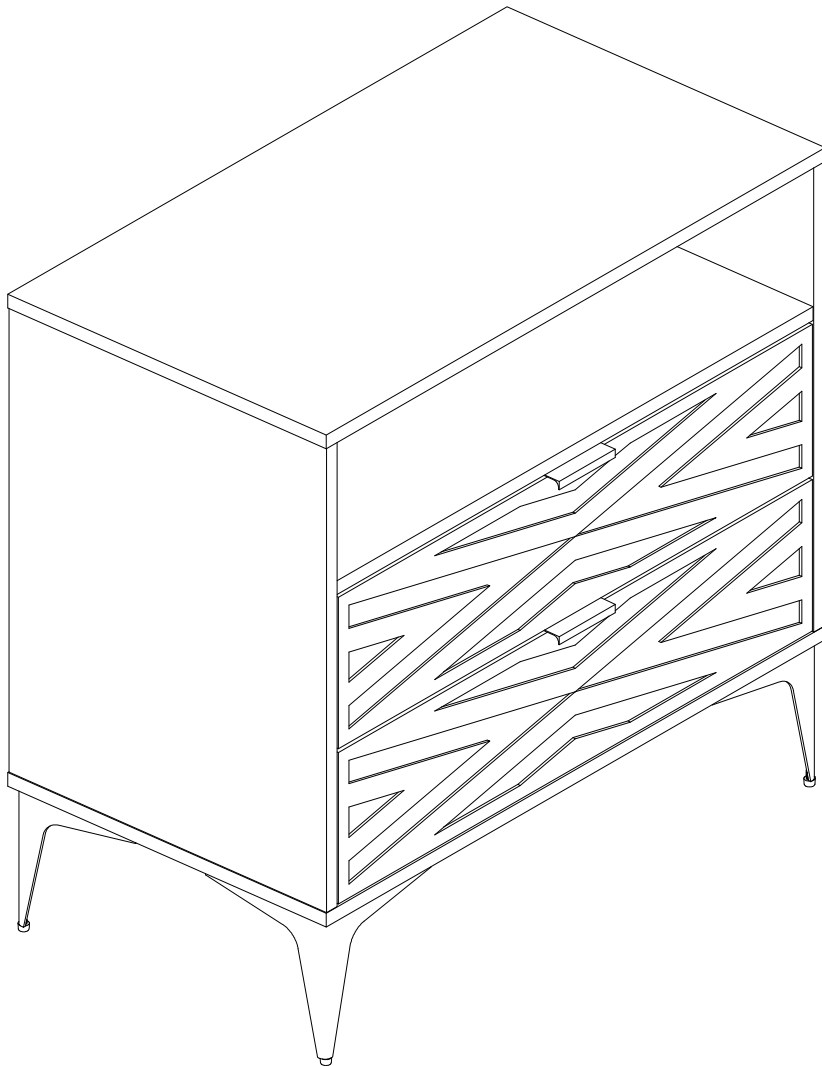


Owner Manual

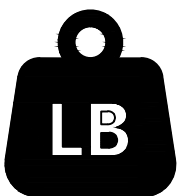


NOTE:

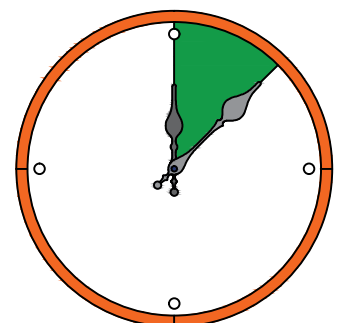
This brochure contains IMPORTANT safety info. Please read and keep for future reference.

MAINTENANCE AND WARNING

- 1.Keep furniture away from heat sources.
- 2.Do not clean furniture with harsh cleaner or polishes.Do not use detergents,solvents,abrasives,spray packs or leather cleaner. Use non-color mild soa with warm water to clean spills(Mix 1:10 soap to water).
- 3.Do not place furniture under direct sunlight,material will possibly fade over time.
- 4.Do not use on site dry cleaning machine.Children should not climb or jump on the furniture.
- 5.Do not write on furniture that is not protectedby a padded barrier.
- 6.Not for commercial use,only for residential use.

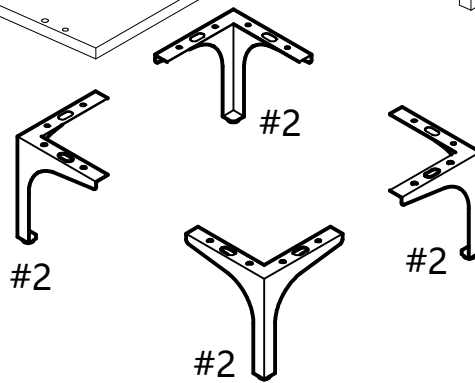
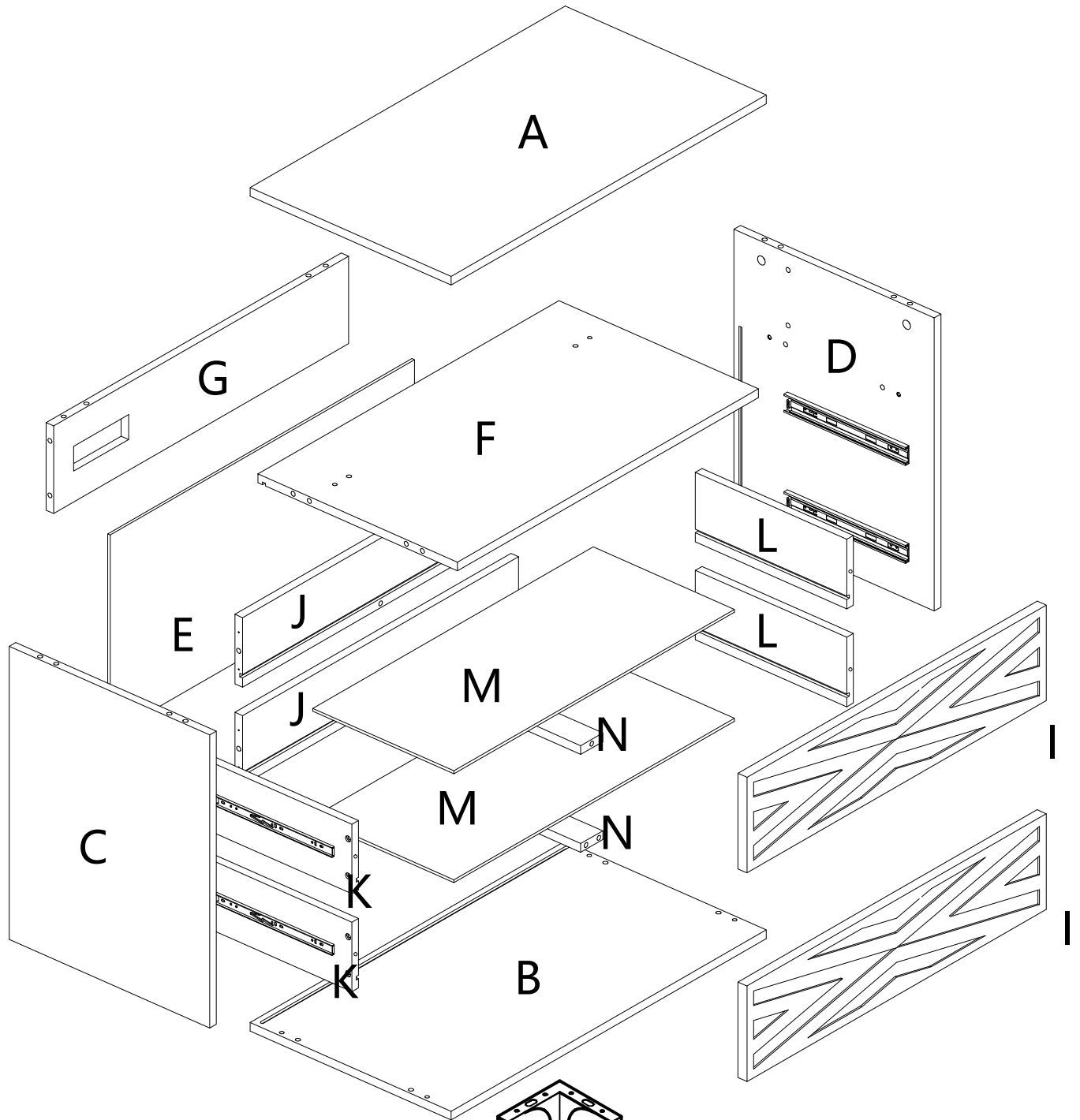


Weight Limitation
80 LBS



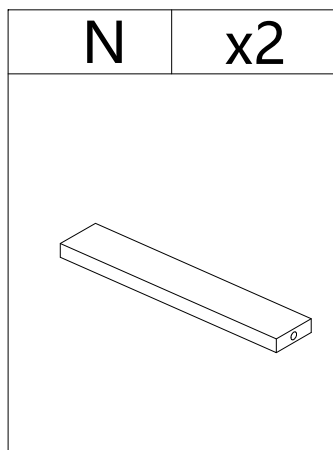
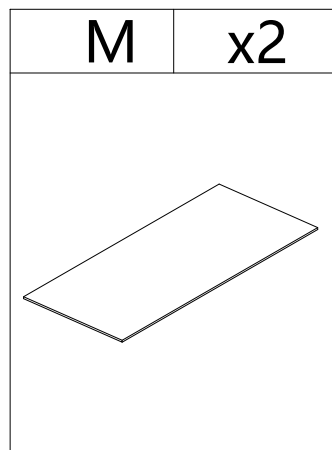
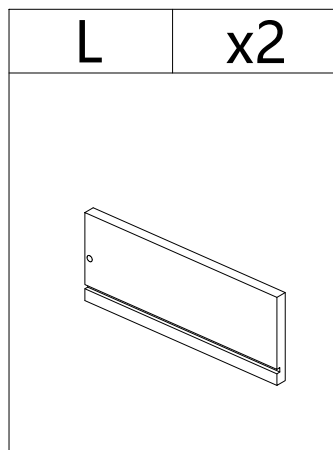
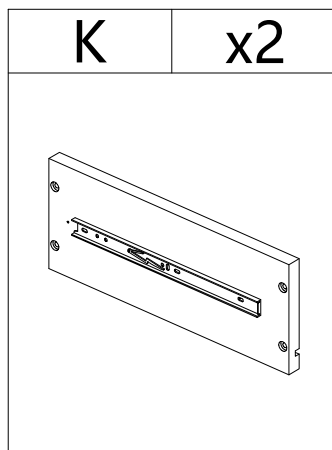
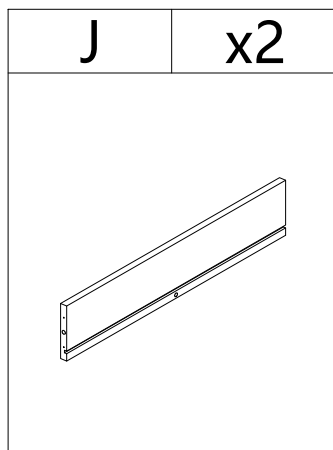
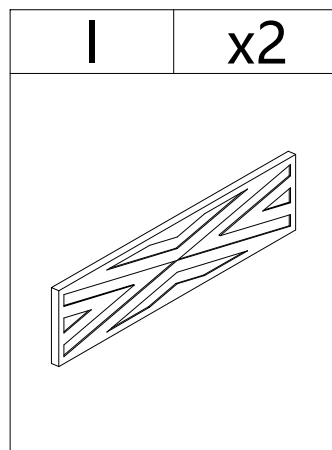
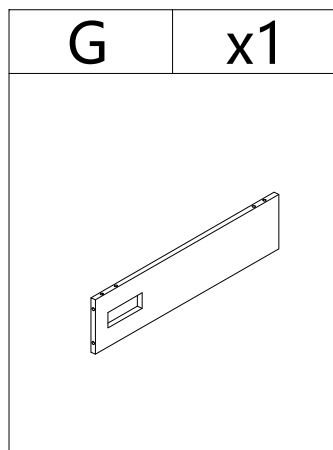
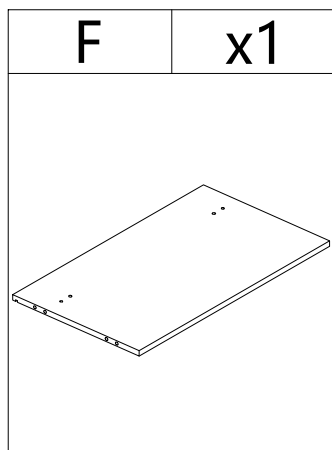
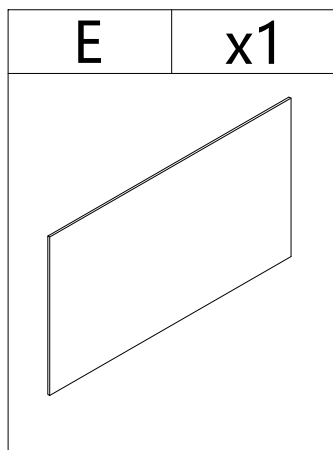
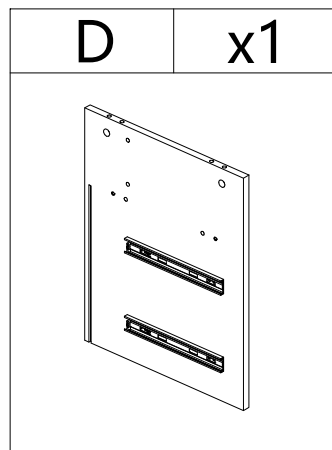
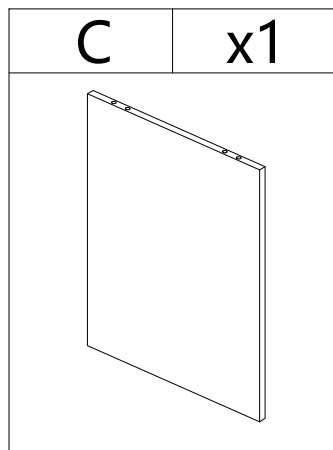
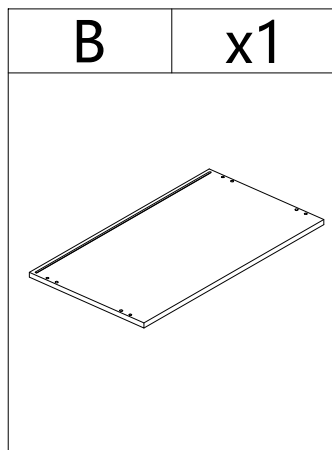
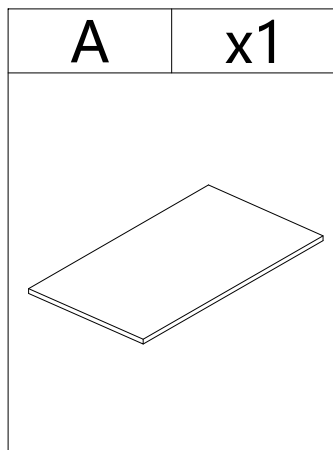
Around **45 min**

EXPLOSIVE VIEW

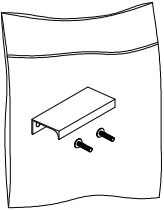
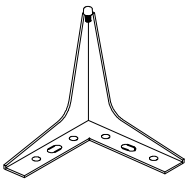


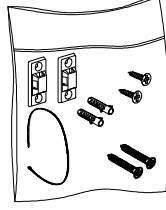
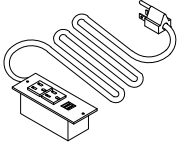
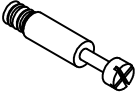





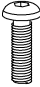
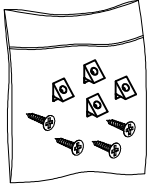


OVERVIEW

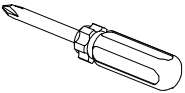

PARTS LIST 1








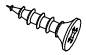
HARDWARE LIST



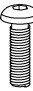
#1	x2	#2	x4	#3	x20	#4	x24	#5	x2	#6	x1
											
		H150MM		$\phi 8 * 1 - 1/2$ "		8*30MM					
#7	x14	#8	x14	#9	x2	#10	x2	#11	x6	#12	x8
											
		$\phi 15 * 12.5$ MM				$\phi 3 * 14$ MM		M6*50MM			
#13	x8	#14	x4								
											
M6*14MM											

TOOL LIST

#17	x1	#18	x1
			
		M6	

HARDWARE SPARE LIST

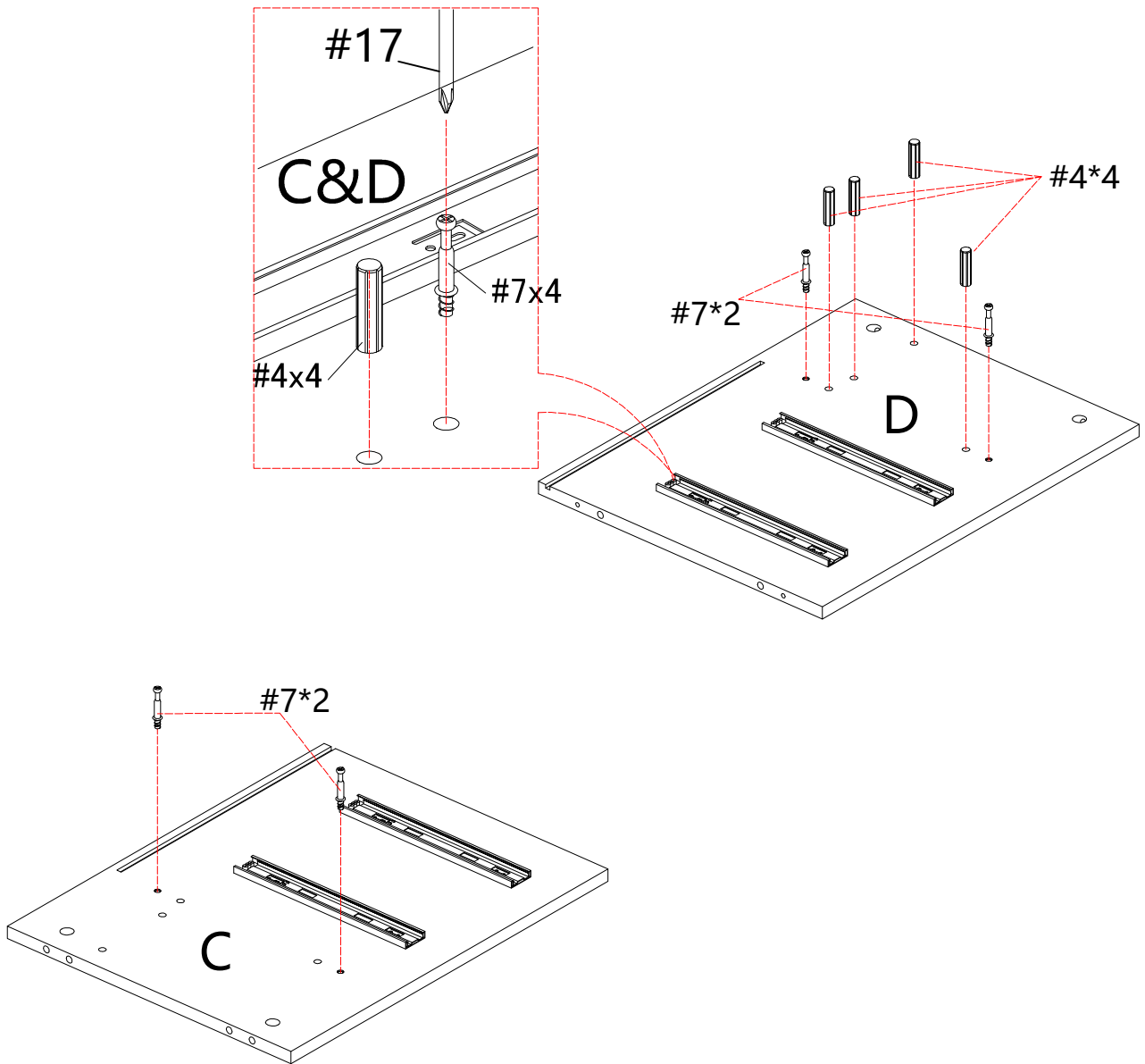
#3	x2	#4	x2	#7	x1	#8	x1	#9	x1	#10	x1
											
ø8*1-1/2 "		8*30MM				ø15*12.5MM				ø3*14MM	


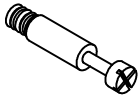
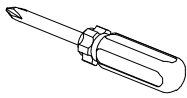
#11	x1	#12	x1	#13	x1
					
M6*50MM				M6*14MM	

ASSEMBLY INSTRUCTIONS

STEP-1

Insert wood dowel #4 by hand, insert bolt #7 into the corresponding hole in the side plate (C&D), and tighten bolt #7 with a #17 screwdriver.

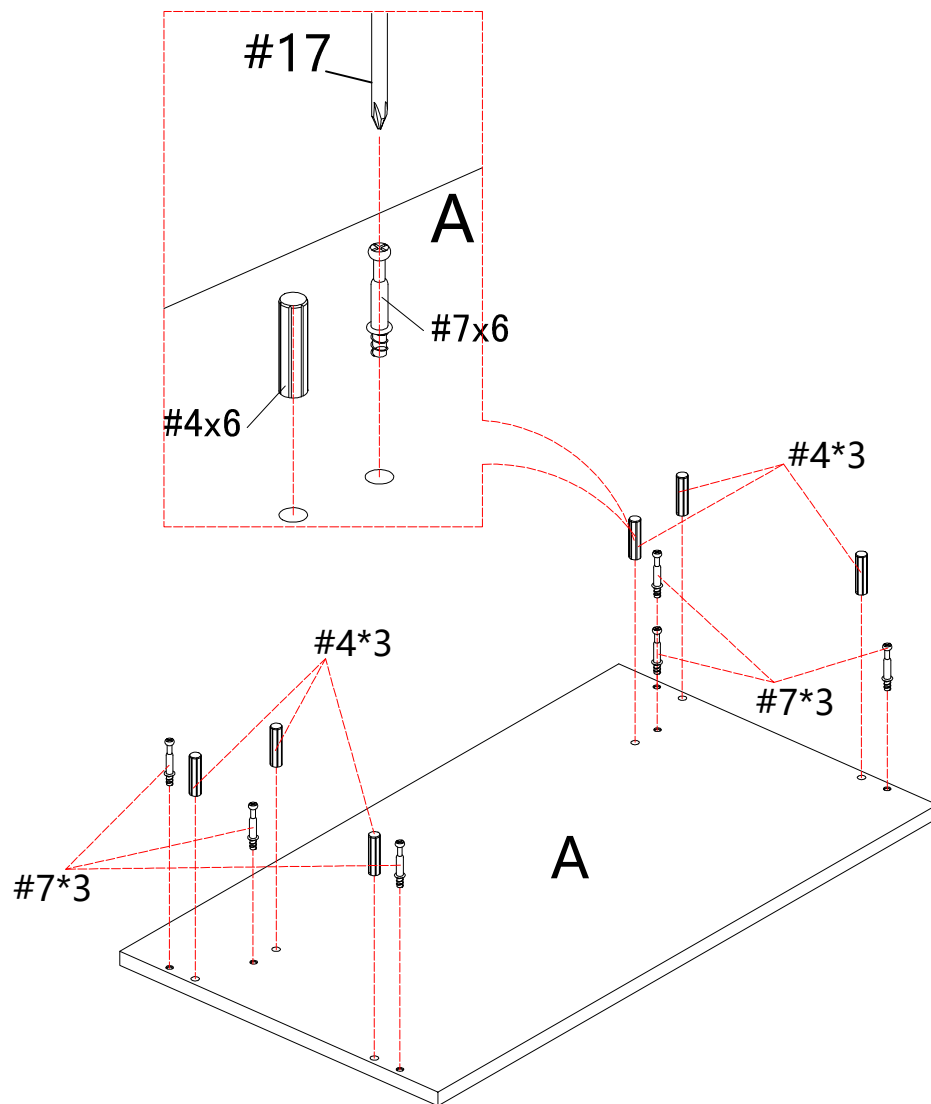



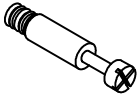
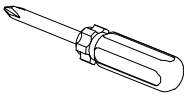
#4	x4	#7	x4	#17	x1
					
8*30MM					

ASSEMBLY INSTRUCTIONS

STEP-2

Insert wood dowel #4 by hand, insert bolt #7 into the corresponding hole in the side plate A, and tighten bolt #7 with a #17. screwdriver.

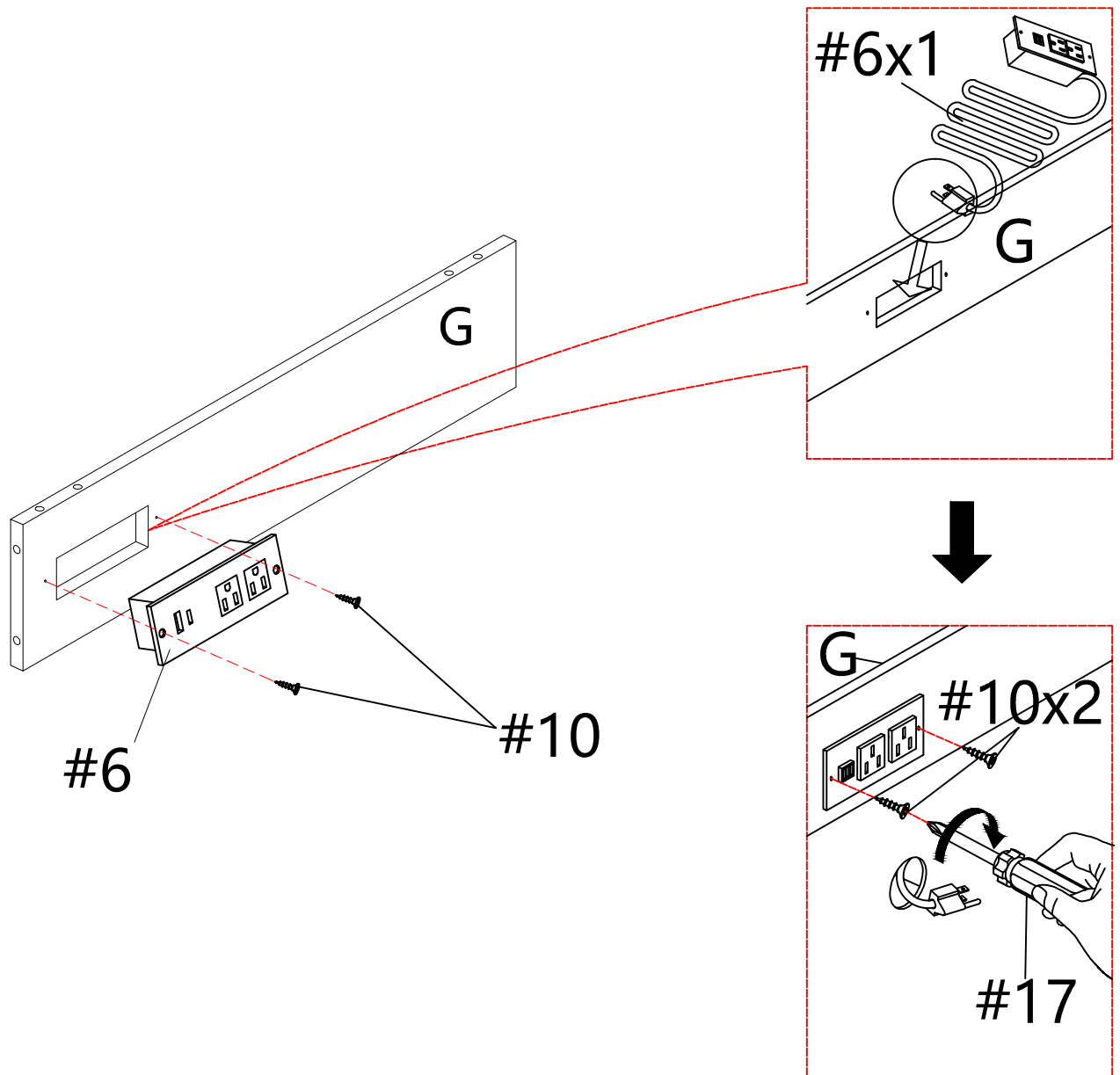


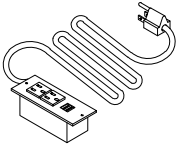

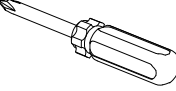
#4	x6	#7	x6	#17	x1
					
8*30MM					

ASSEMBLY INSTRUCTIONS

STEP-3

Connect socket #6 to part G using screw #10. and tighten it with screwdriver #17.

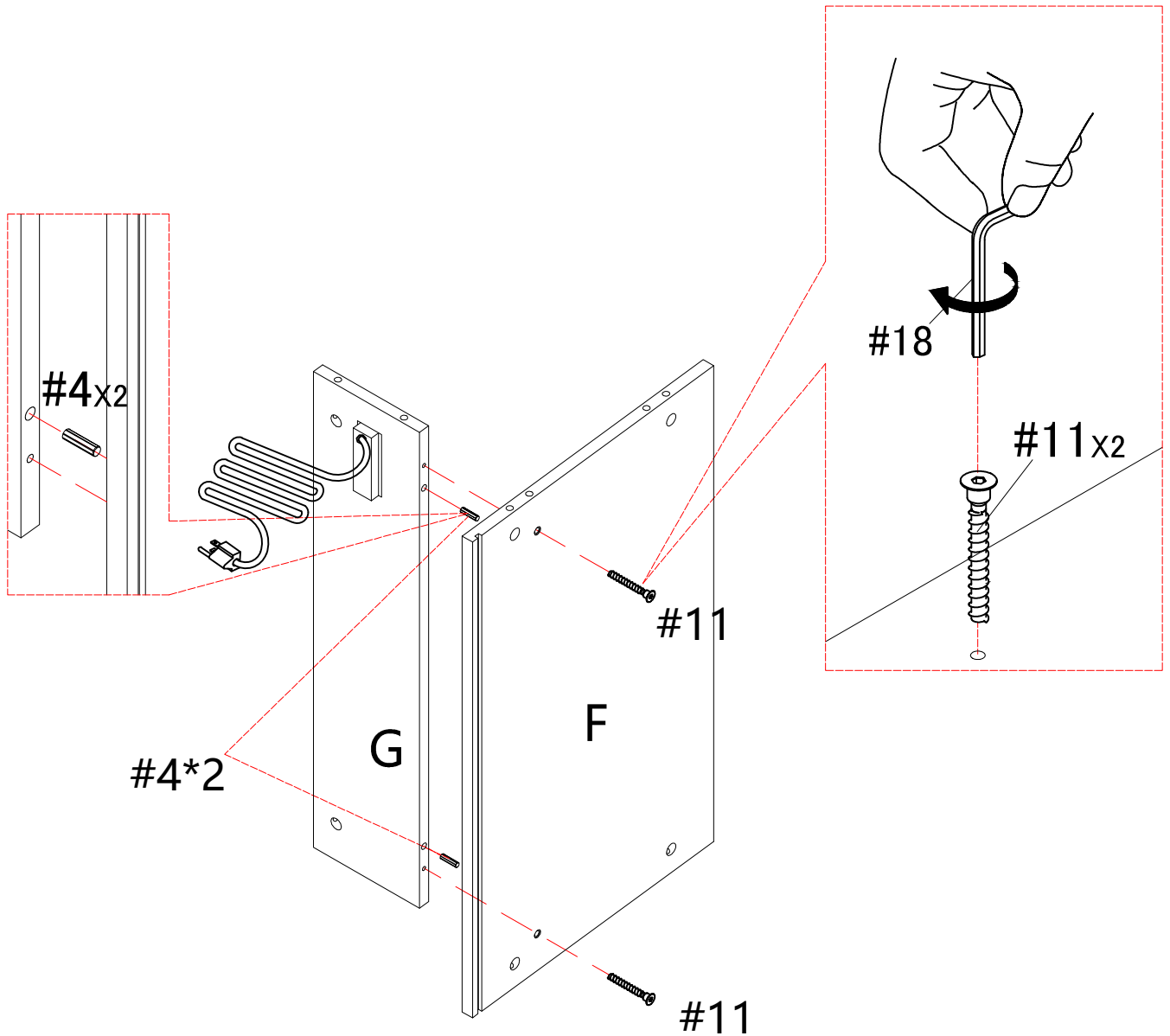





#6	x1	#10	x2	#17	x1
					
		ø3*14MM			

ASSEMBLY INSTRUCTIONS

STEP-4

Insert wood dowel #4 by hand, insert bolt #11 into the corresponding hole in the side plate (F&G), and tighten bolt #11 with a #18 screwdriver.

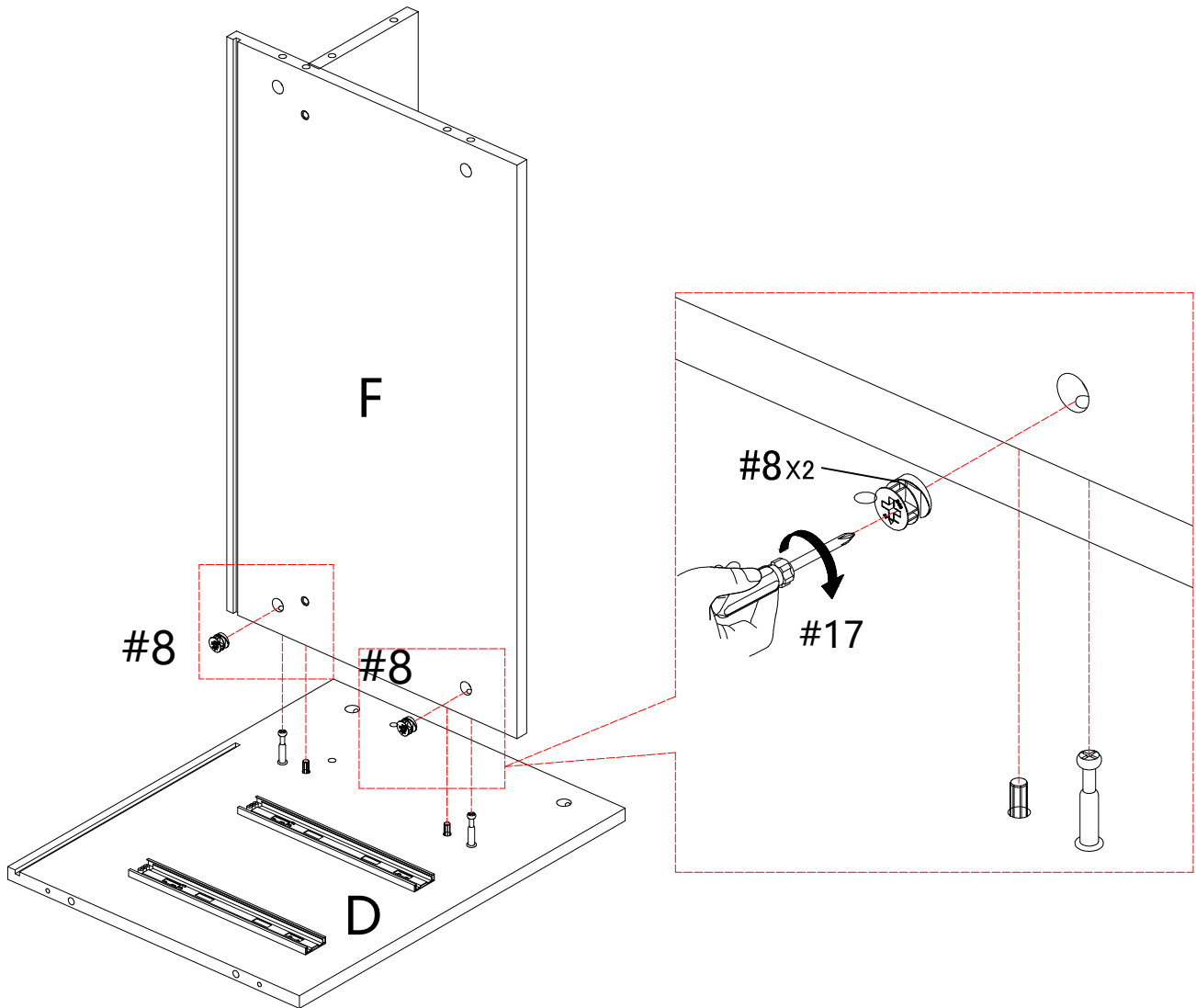



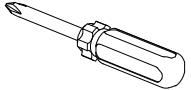
#4	x2	#11	x2	#18	x1
					
8*30MM		M6*50MM			

ASSEMBLY INSTRUCTIONS

STEP-5

Insert the panels (F&G) into the side panels (D), make sure all holes aligned and insert cam bolt #8 into the corresponding hole of panel (F), tighten cam bolt #8 with screwdriver #17.

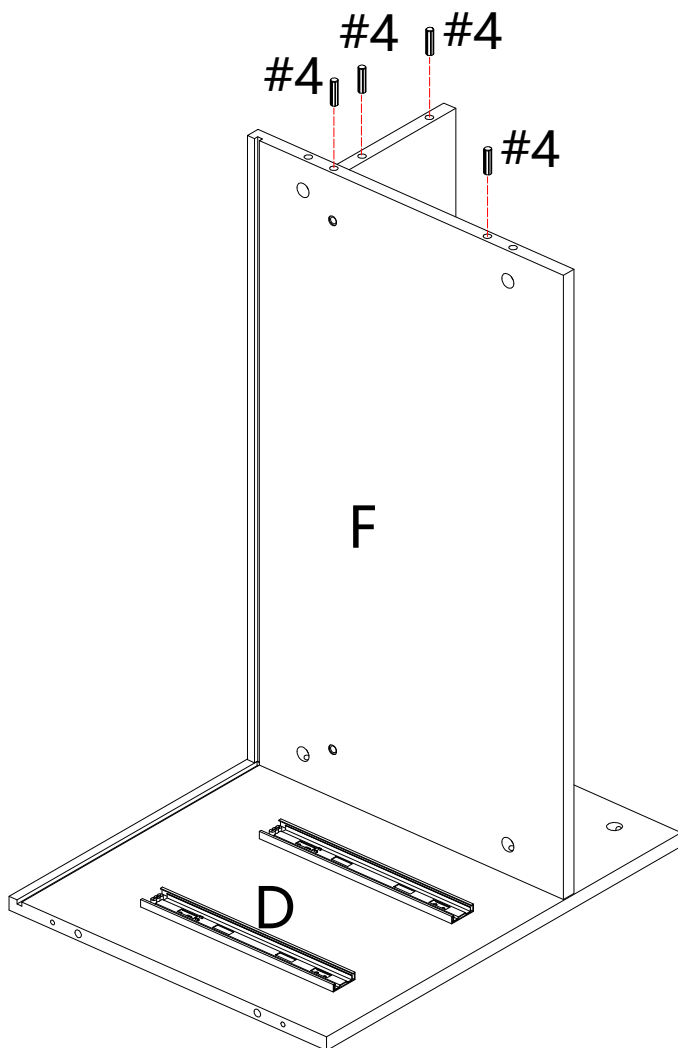



#8	x2	#17	x1
			
Φ15*12.5MM			

ASSEMBLY INSTRUCTIONS

STEP-6

insert wooden dowel #4 into the corresponding hole of panel(F&G).

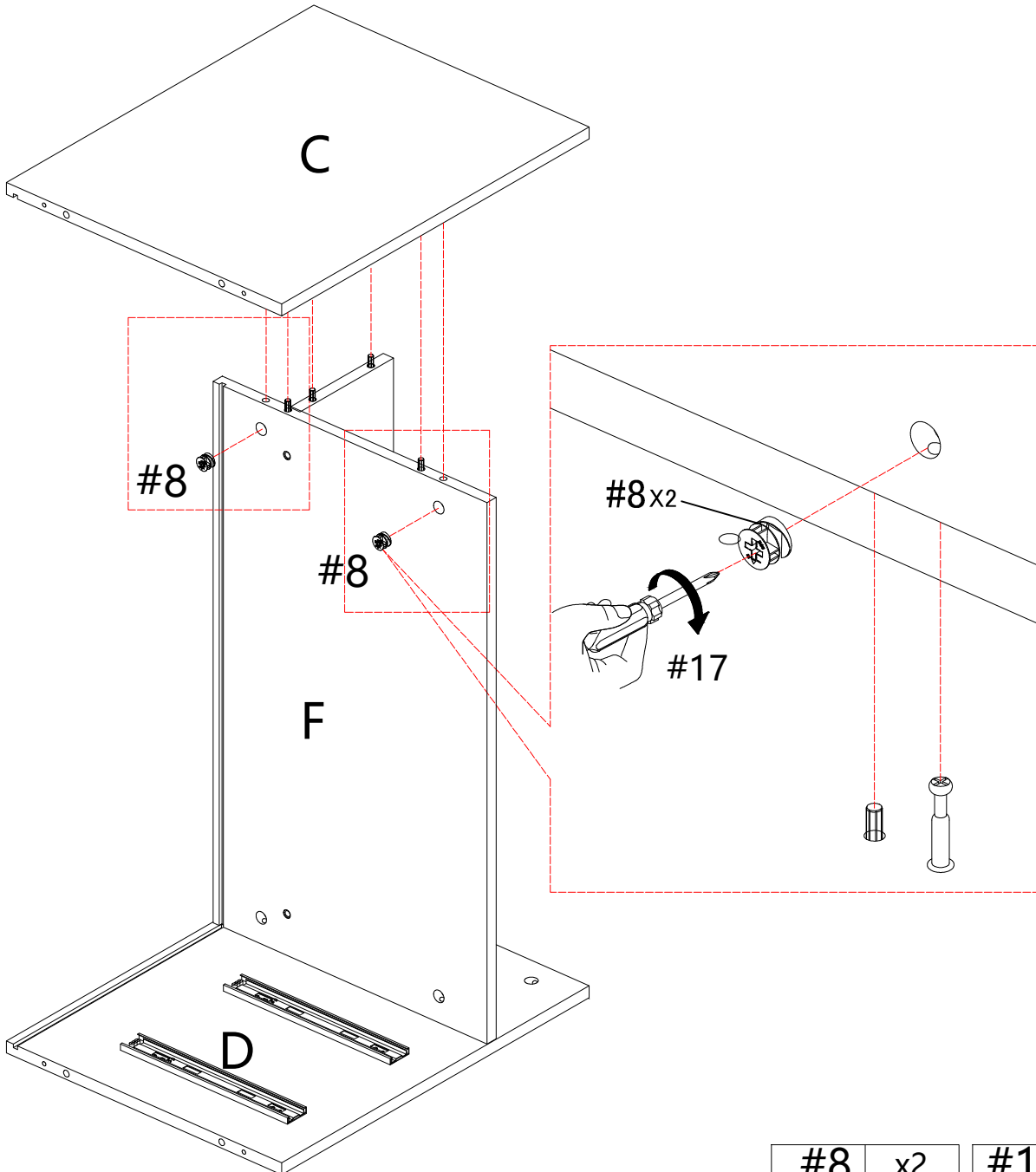



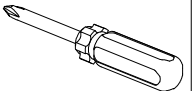
#4	x4
	
8*30MM	

ASSEMBLY INSTRUCTIONS

STEP-7

Insert the panels (C) into the panels (F&G),make sure all holes aligned and insert cam bolt #8 into the corresponding hole of panel (F) , tighten cam bolt #8 with screwdriver #17.

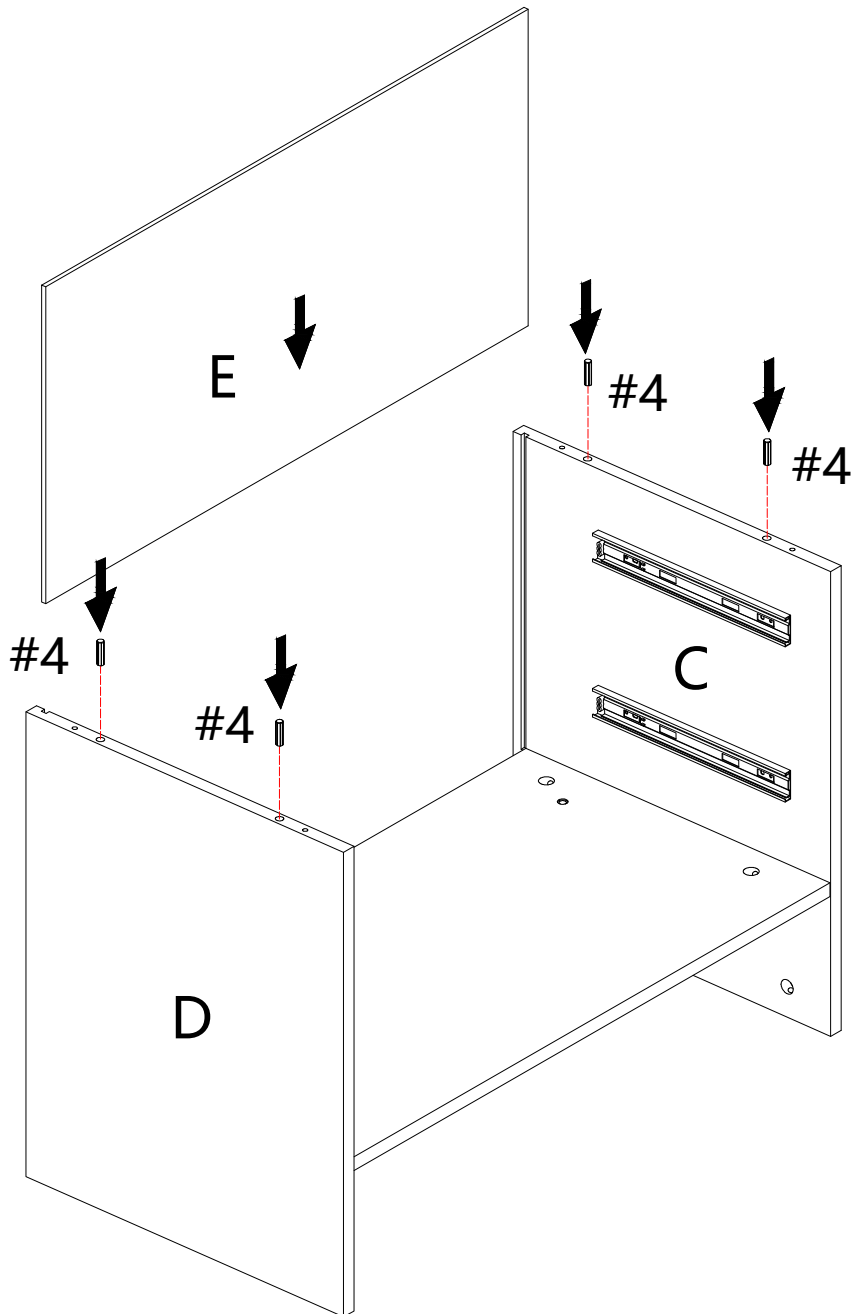



#8	x2	#17	x1
			
ø15*12.5MM			

ASSEMBLY INSTRUCTIONS

STEP-8

Carefully align and slide panel (E) into the groove along rear edge of pre-assemble step 7, and then insert wooden dowel #4 into the corresponding hole of panel (C&D).

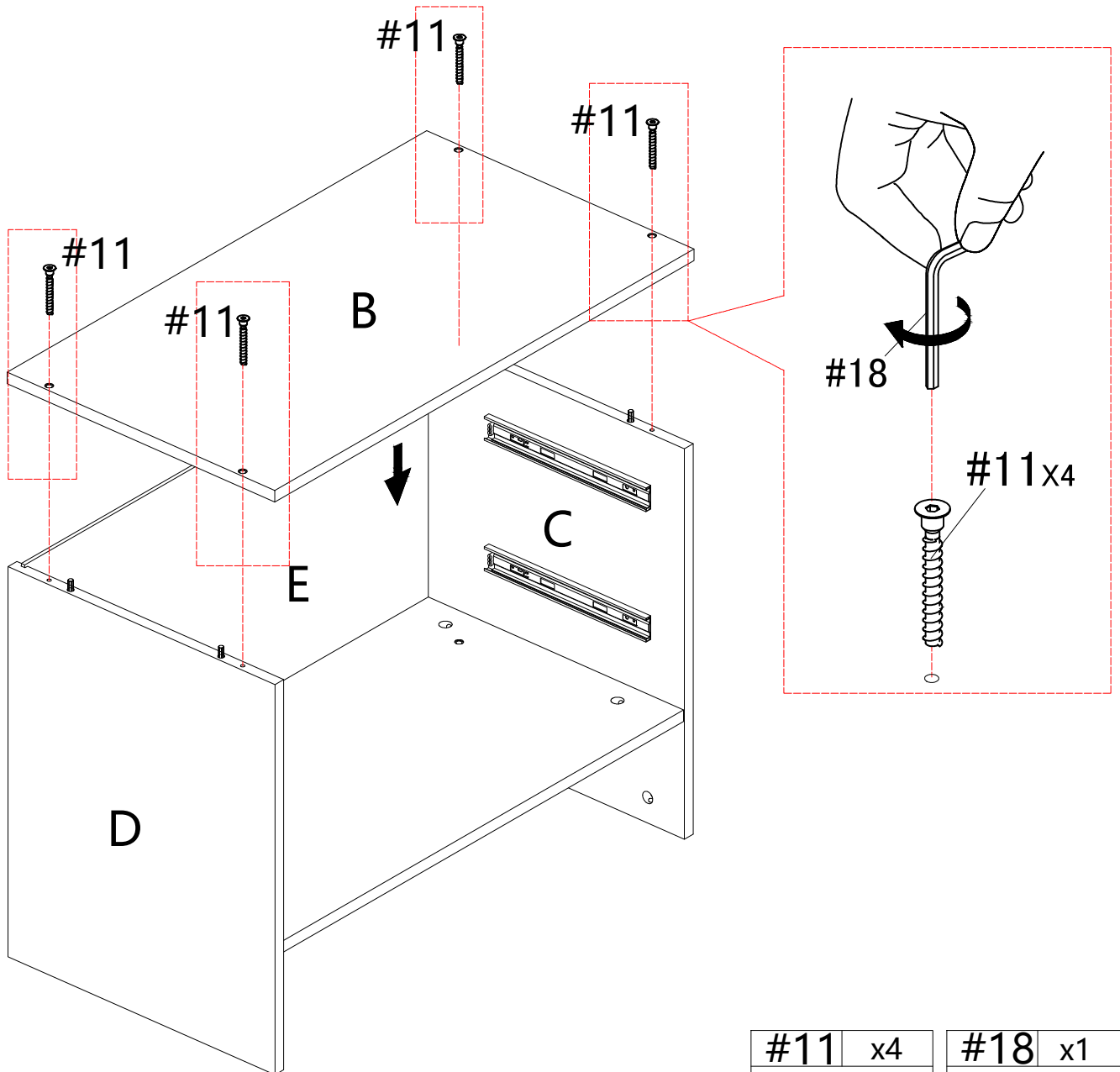




#4	x4
	
8*30MM	

ASSEMBLY INSTRUCTIONS

STEP-9

Insert bottom panel (B) into preassembly step 8, make sure all hole aligned and then use bolt #11 to attach them, tighten bolt #11 with allenkey #18.

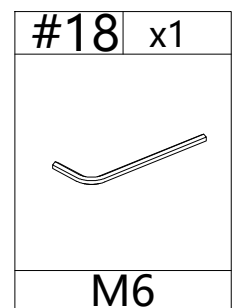
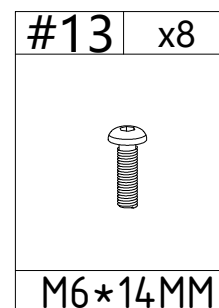
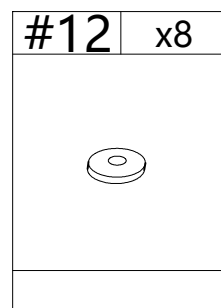
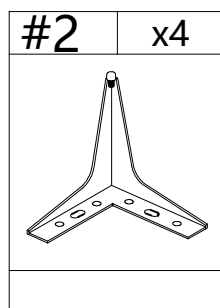
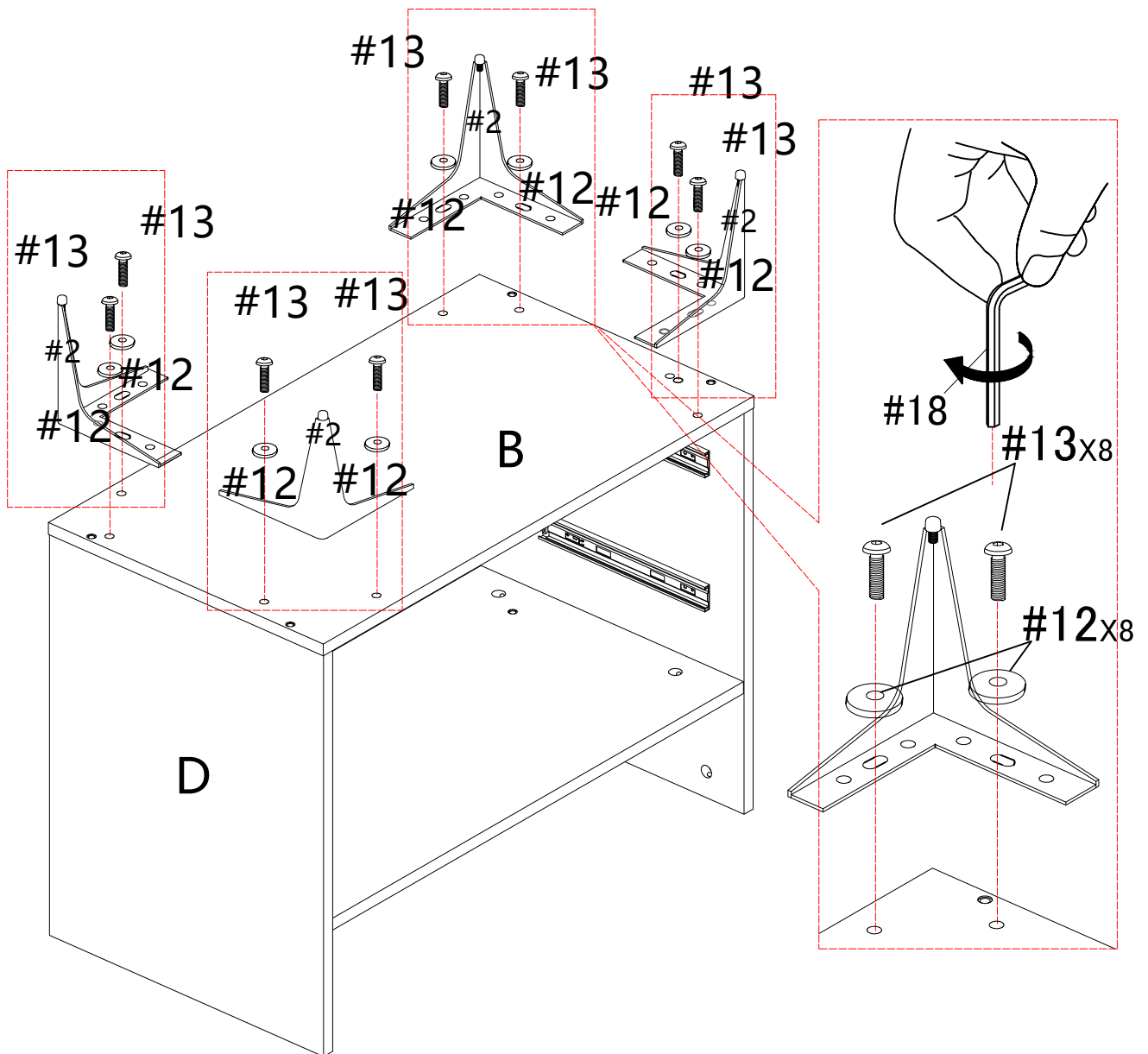


#11	x4	#18	x1
			
M6*50MM			

ASSEMBLY INSTRUCTIONS

STEP-10

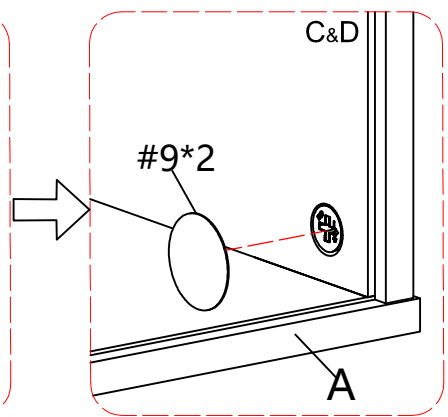
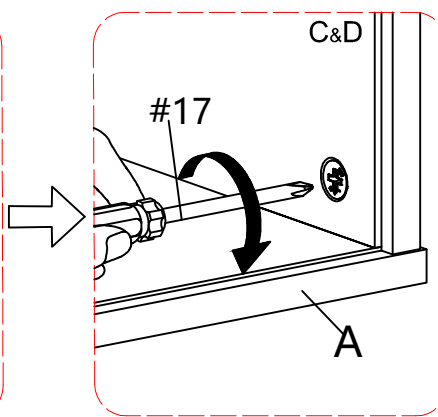
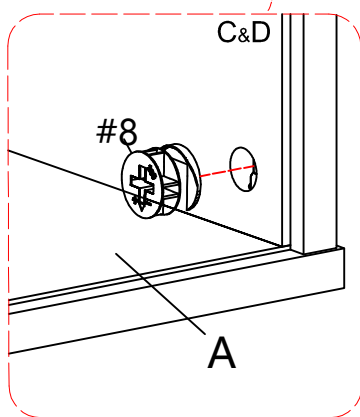
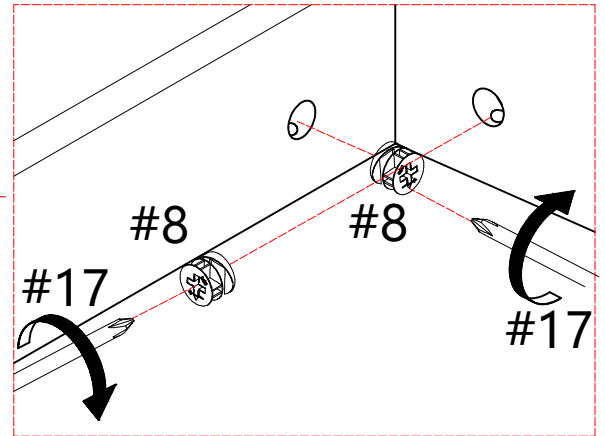
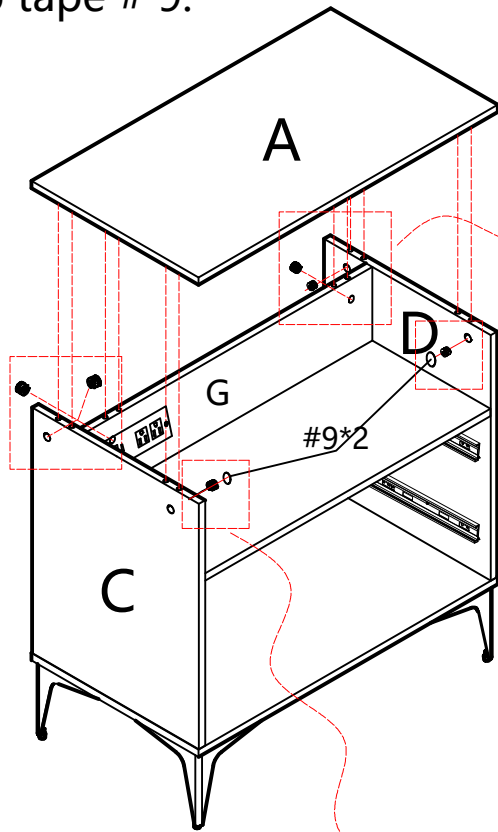
Insert part #2 into the corresponding position of panel (B), and then use flat washer #12 and bolt #13 to attach part #2 to part (B), make sure all holes aligned and tighten all bolts with screwdriver #18.



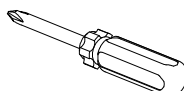


ASSEMBLY INSTRUCTIONS

STEP-11

Insert the panels (A) into the panels (C&D&G), make sure all holes aligned and insert cam bolt #8 into the corresponding hole of panel (C&D&G), tighten cam bolt #8 with screwdriver #17. After installation, cover the two screw holes in the C & D side panel with lap tape #9.

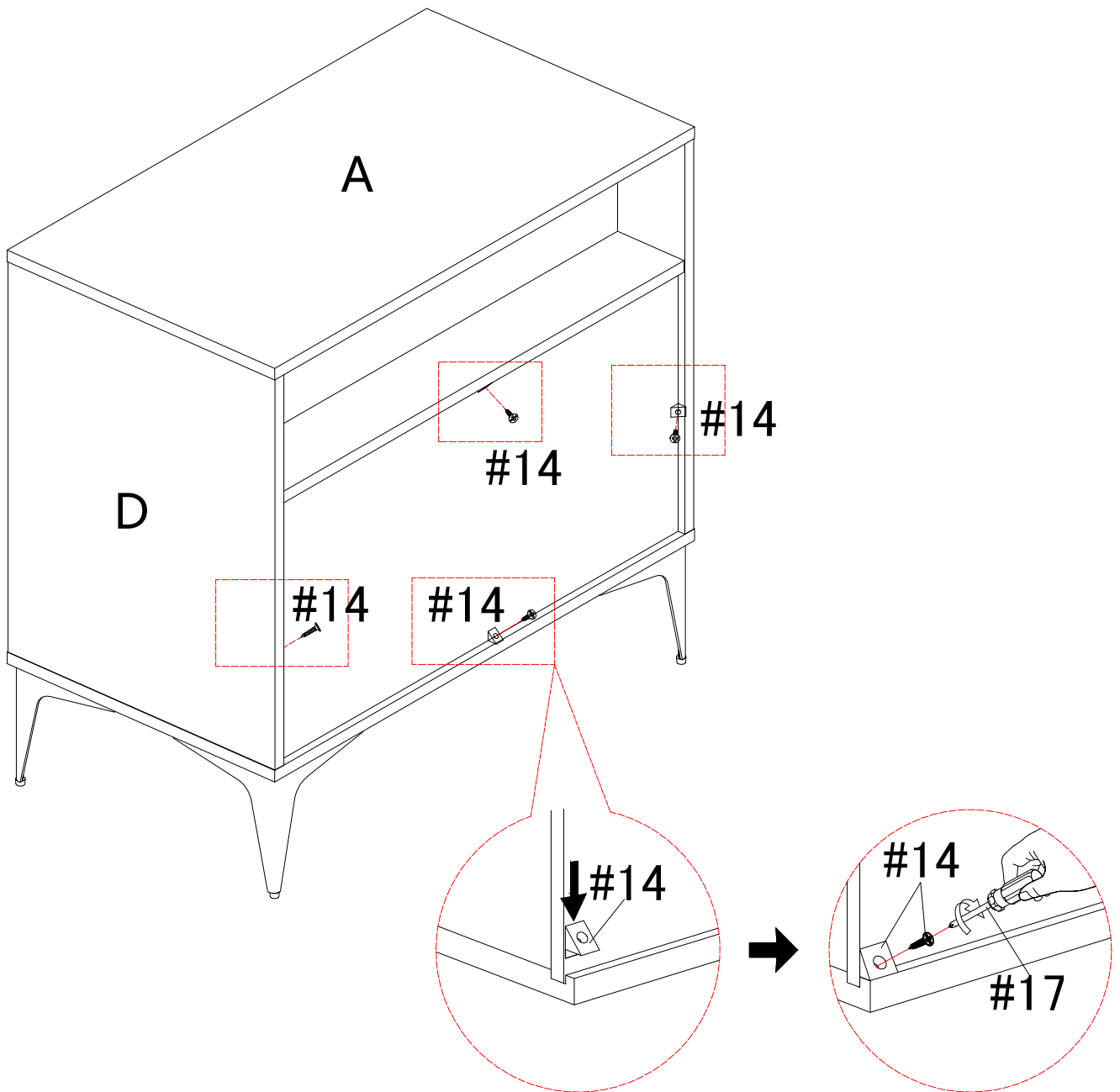


#8	x6	#9	x2	#17	x1
					
φ15*12.5MM					

ASSEMBLY INSTRUCTIONS

STEP-12

Use screw #14 to attach part #14 to bottom panel(F)&(B)&(C)&(D),tighten screw #14with screwdriver #17.

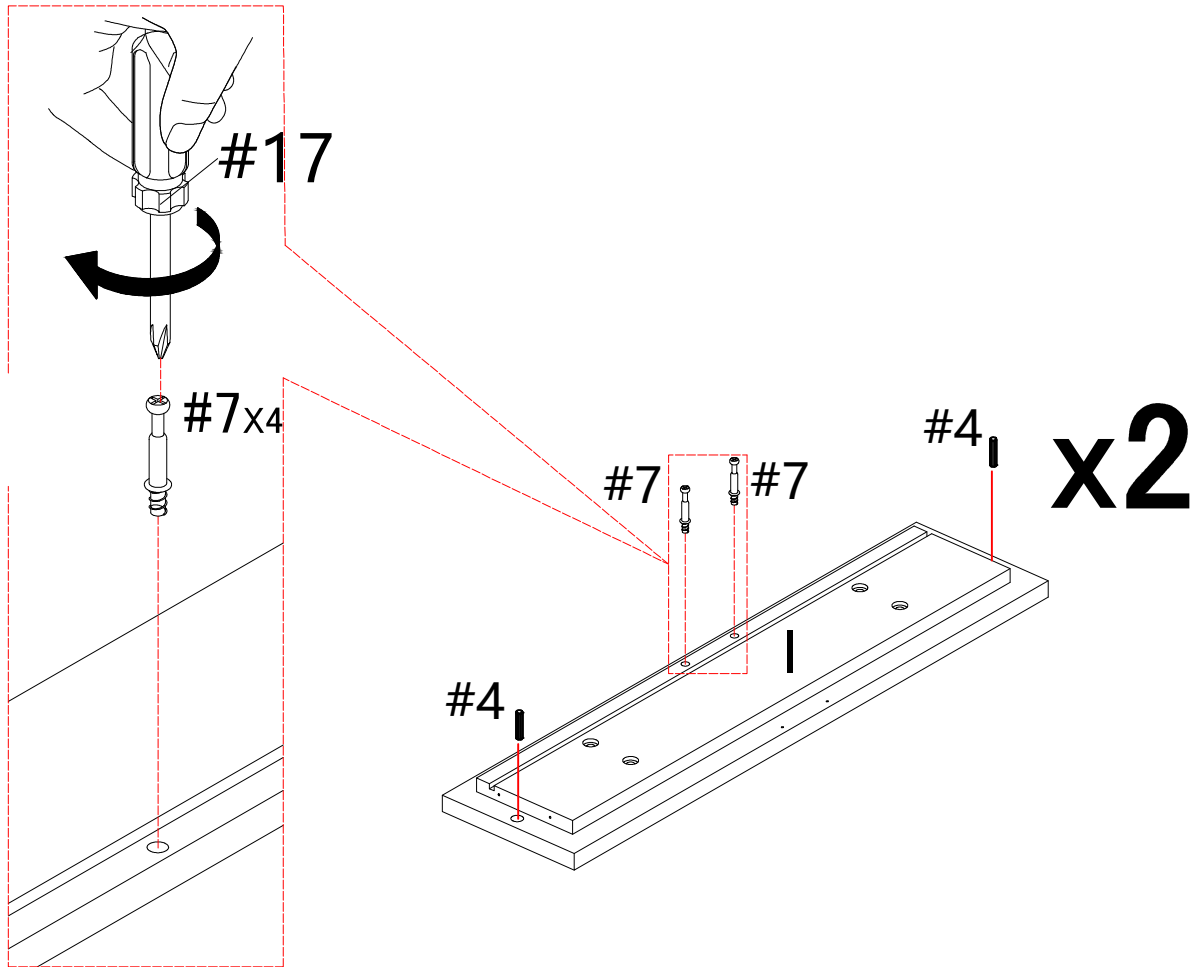



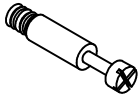
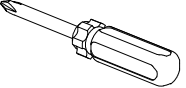
#14	x4	#17	x1

ASSEMBLY INSTRUCTIONS

STEP-13

1.insert wooden dowel #4 by hand, Insert the No. 7 bolt into the corresponding hole in panel I and tighten the No. 7 bolt with the No. 17 screwdriver.



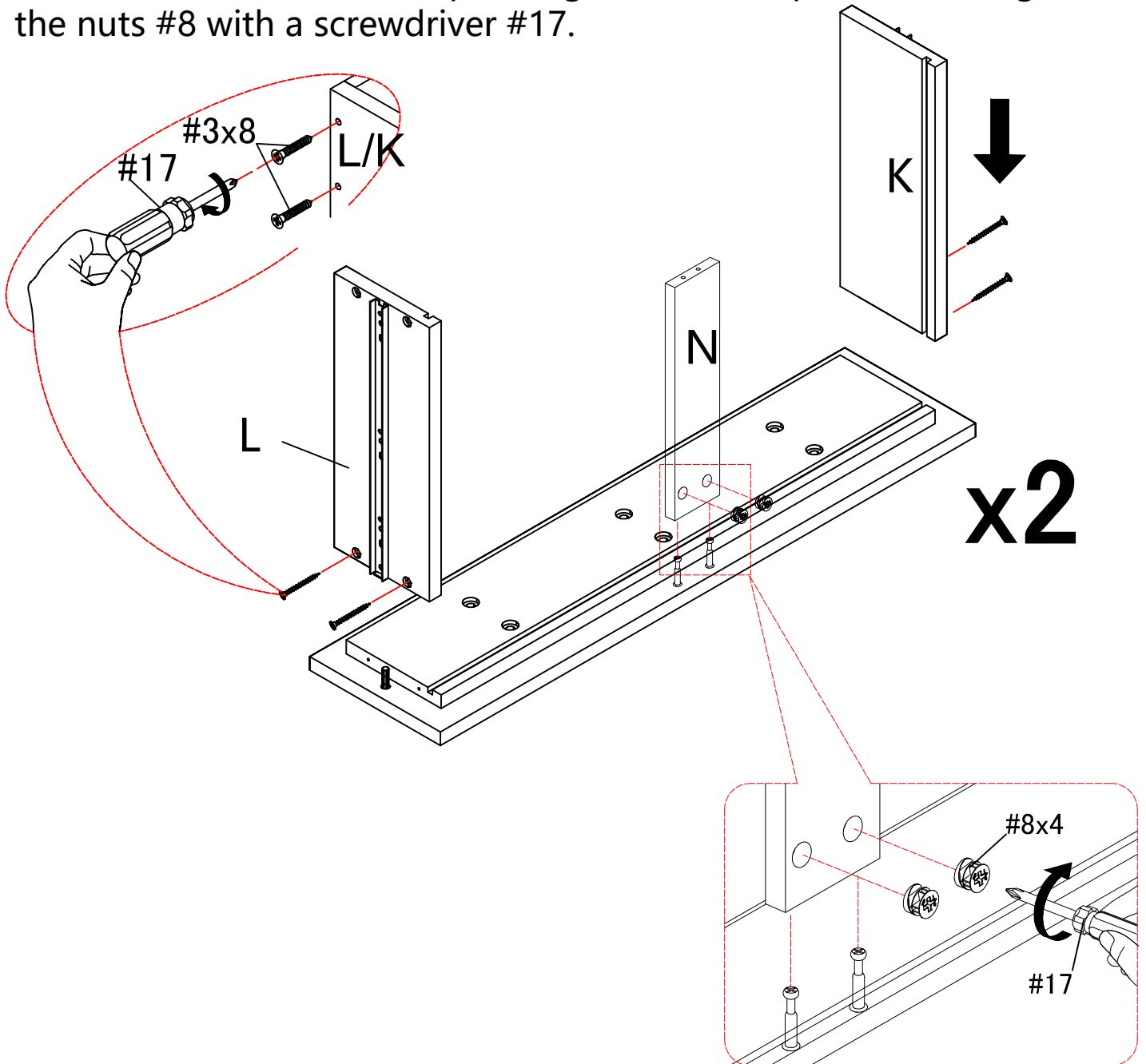
#4	x4	#7	x4	#17	x1
					
8*30MM					



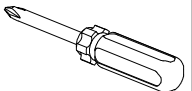
ASSEMBLY INSTRUCTIONS

STEP-14

Use screw #3 to attach drawer side(K)&(L)to drawer front (I),tighten bolt #3 with screwdriver#17.

2.Connect the part N with part (I). align the hole in the part (I),insert cam bolt #8 into the corresponding hole of side panel n,and tighten the nuts #8 with a screwdriver #17.

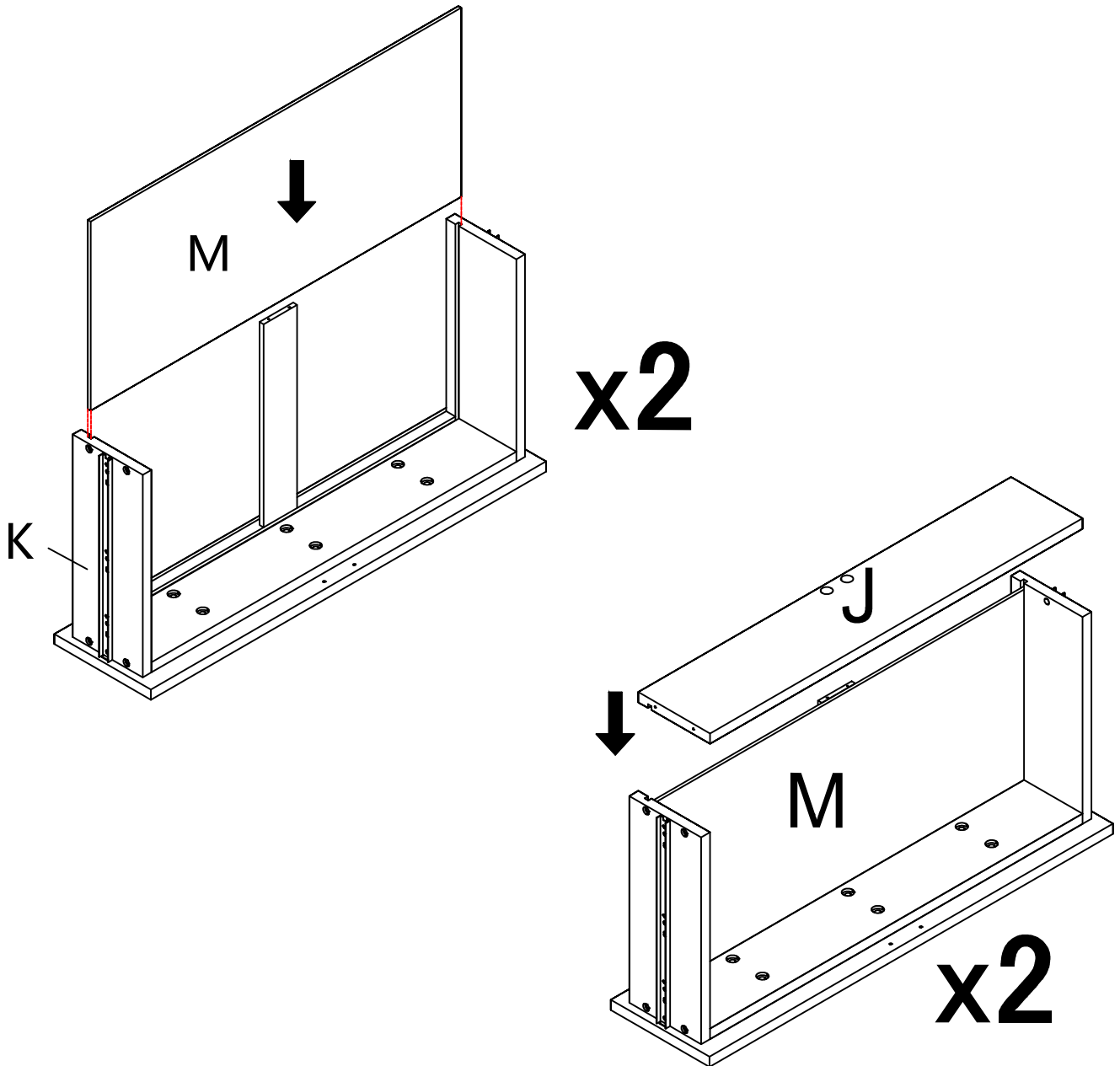


#8	x4	#3	x8	#17	x1
					
ø15*12.5MM		ø8*1-1/2 "			

ASSEMBLY INSTRUCTIONS

STEP-15

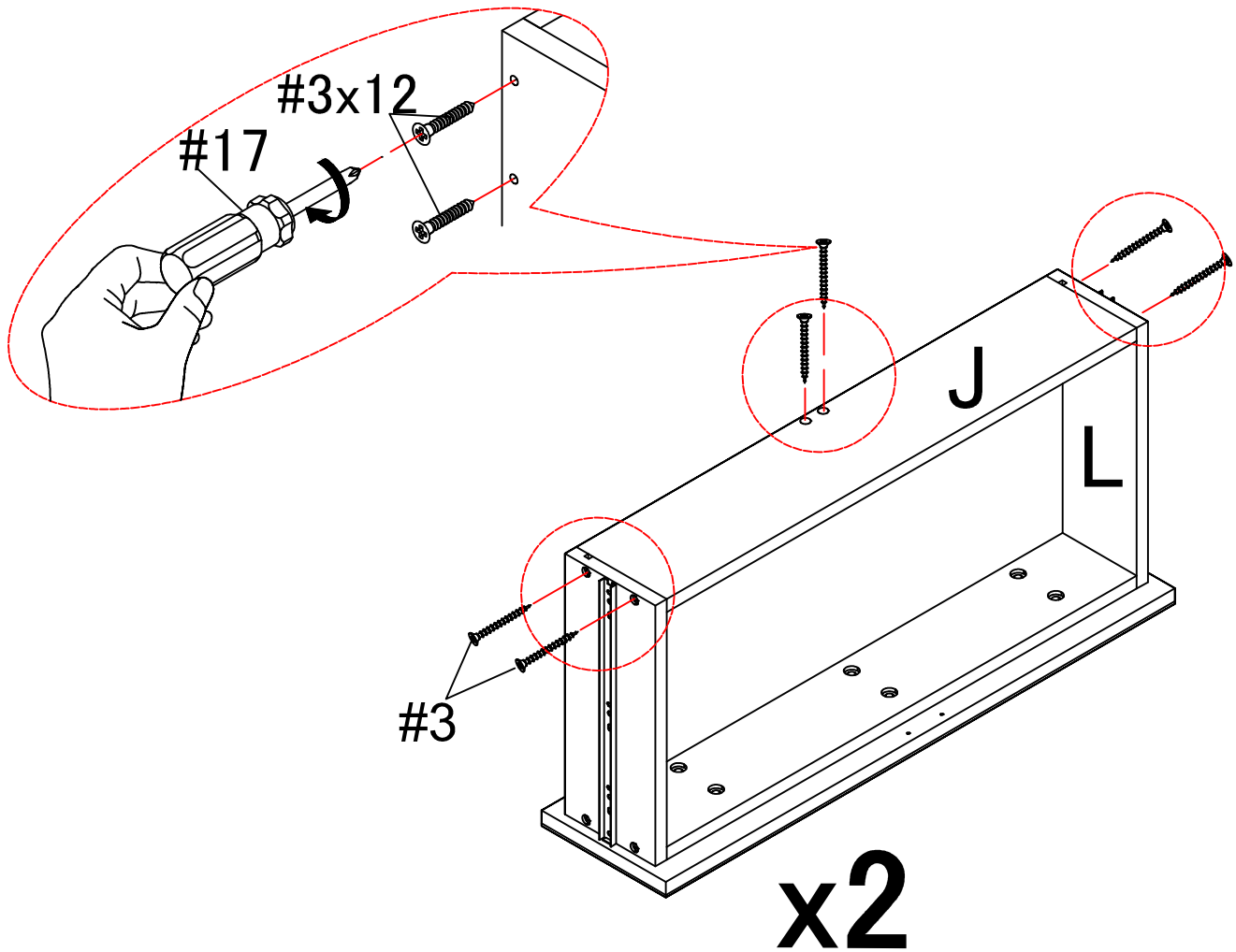
1. slide in the part (M) into the groove in part (K)&(L) . make sure they are also in groove in part (I).
2. Align the recess of part (J) with part (M).


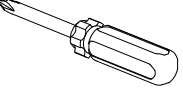


ASSEMBLY INSTRUCTIONS

STEP-16

Use screw #3 to panel (J)to panel (N) & (K) and (L) ,tighten bolt #3 with screwdriver#17.

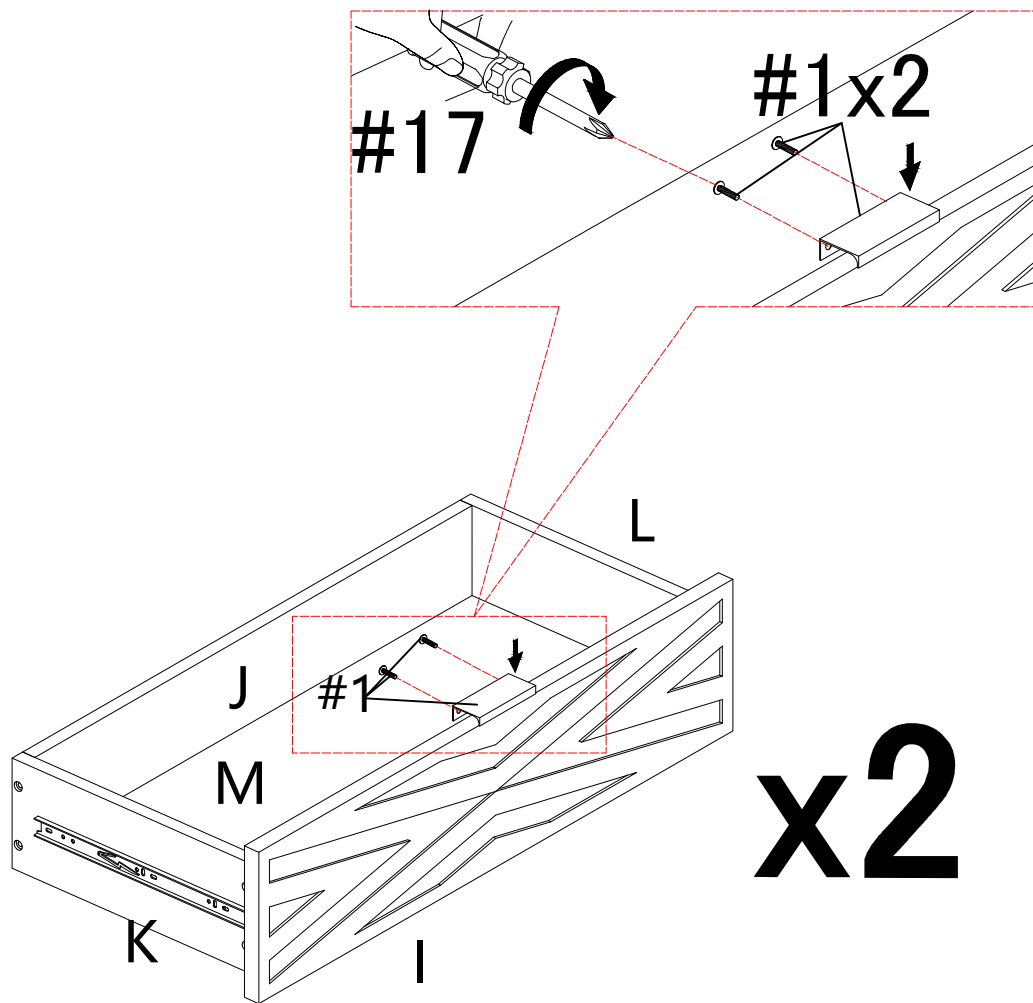


#3	x12	#17	x1
			
ø8*1-1/2 "			

ASSEMBLY INSTRUCTIONS

STEP-17

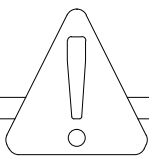
Use screw #1 to attach handle #1 to drawer front(l), tightenbolts #1with screwdriver #17.



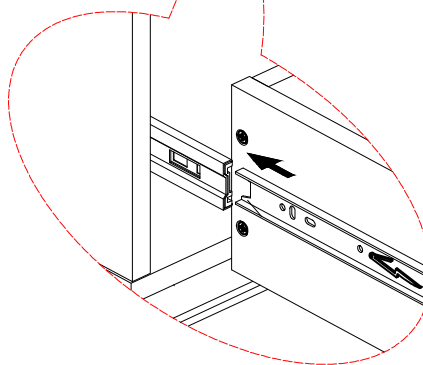
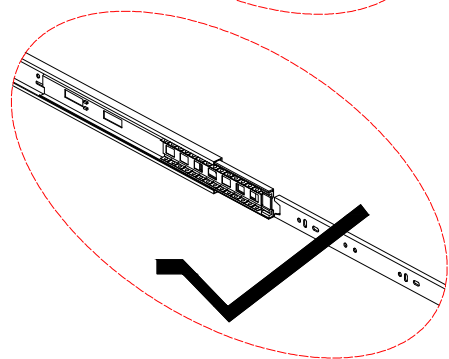
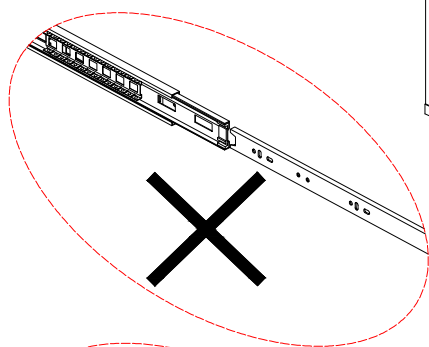
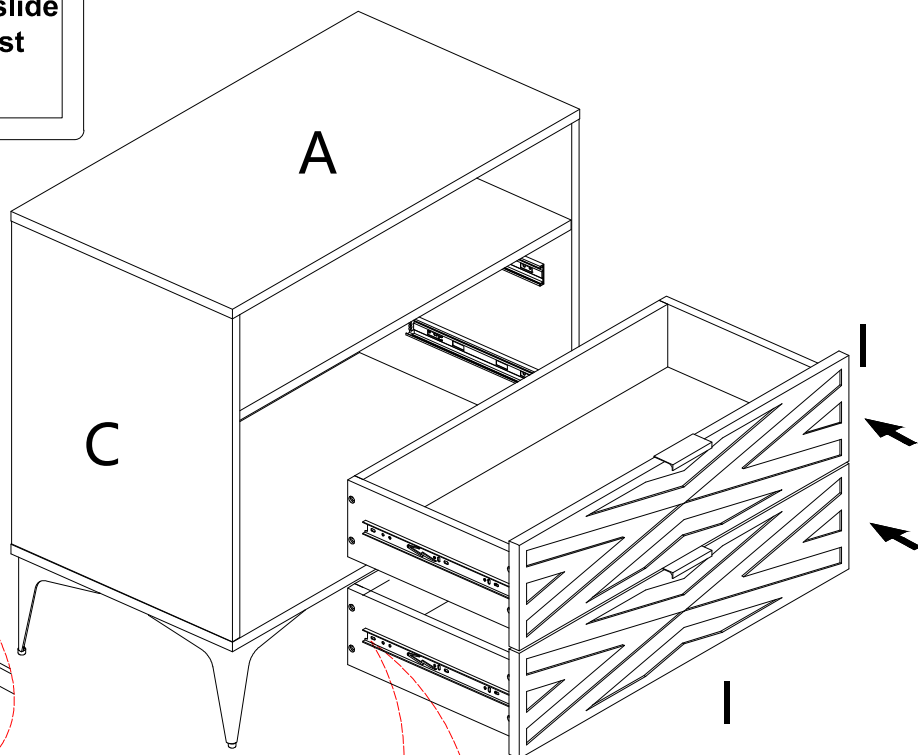
#1	x2	#17	x1

ASSEMBLY INSTRUCTIONS

STEP-18

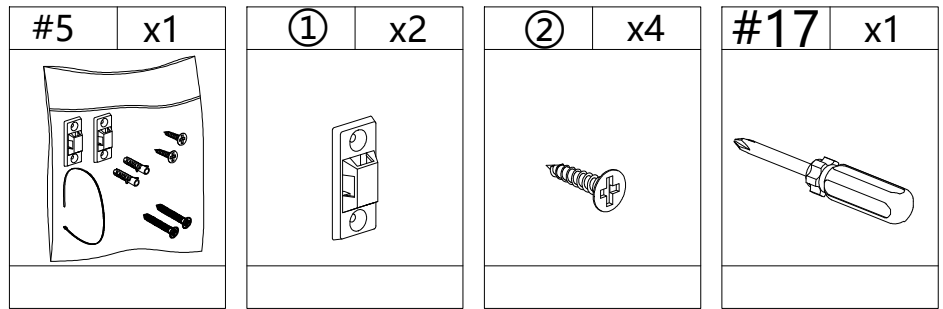


Attention: When installing the drawer, slide the steel ball slide rail of side panel to the most front as picture show.

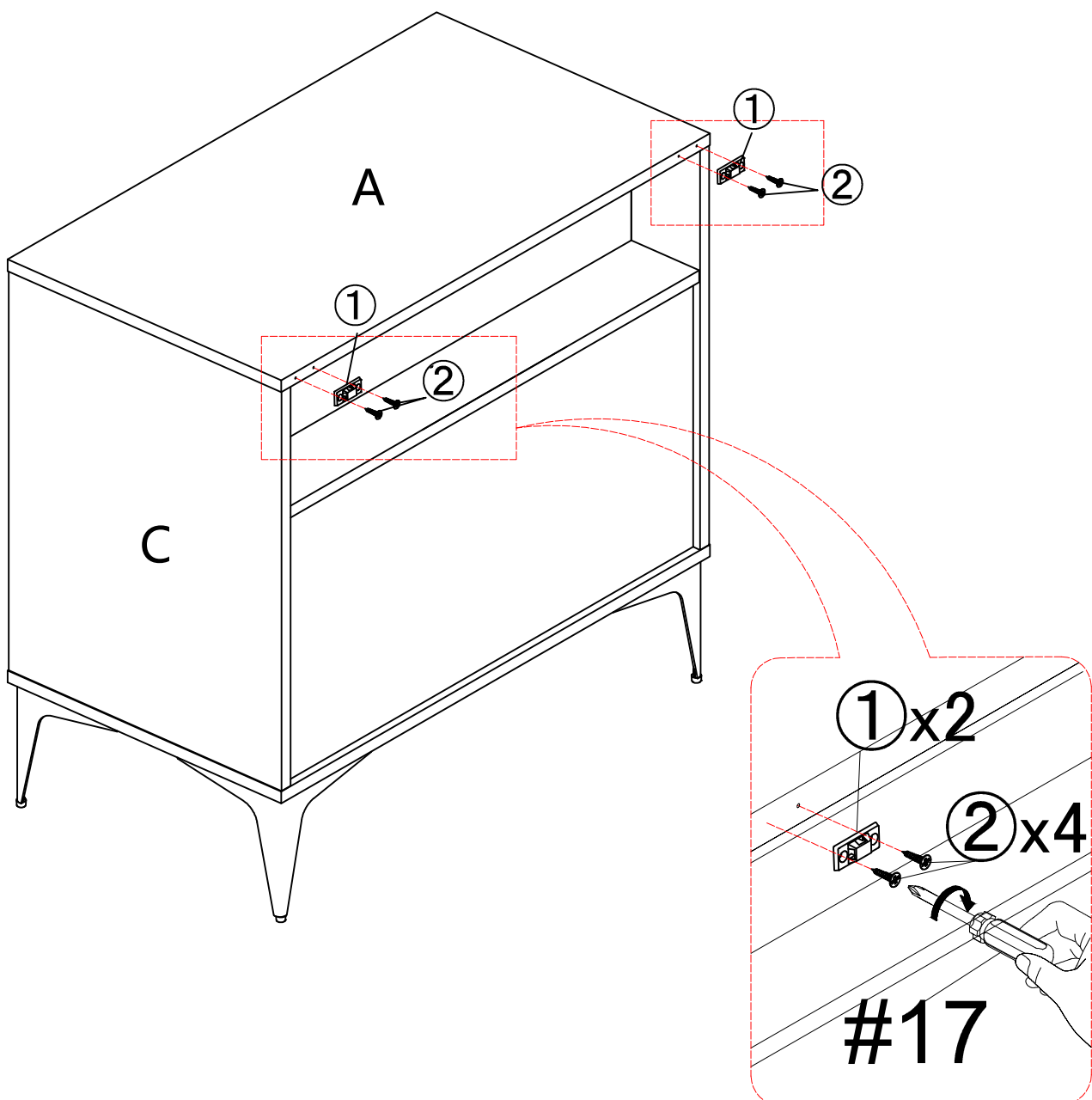


ASSEMBLY INSTRUCTIONS

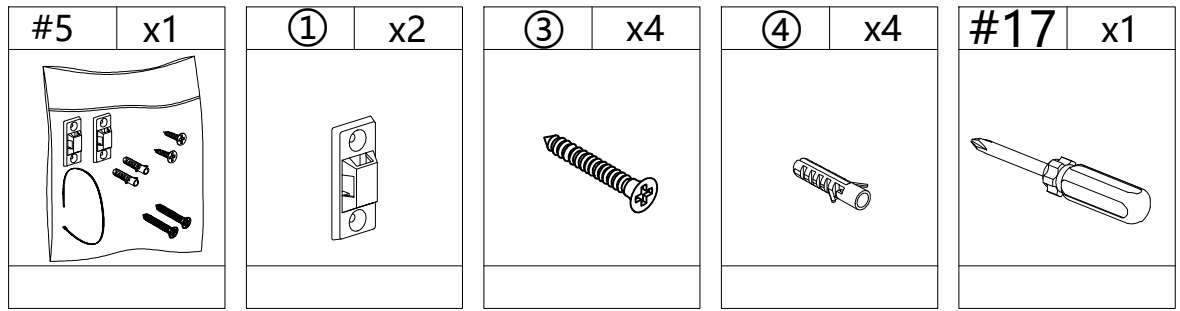
STEP-19



Use screw ② to attach plastic bracket ① to panel (A), make sure all holes aligned and tighten screw ② with screwdriver #17.

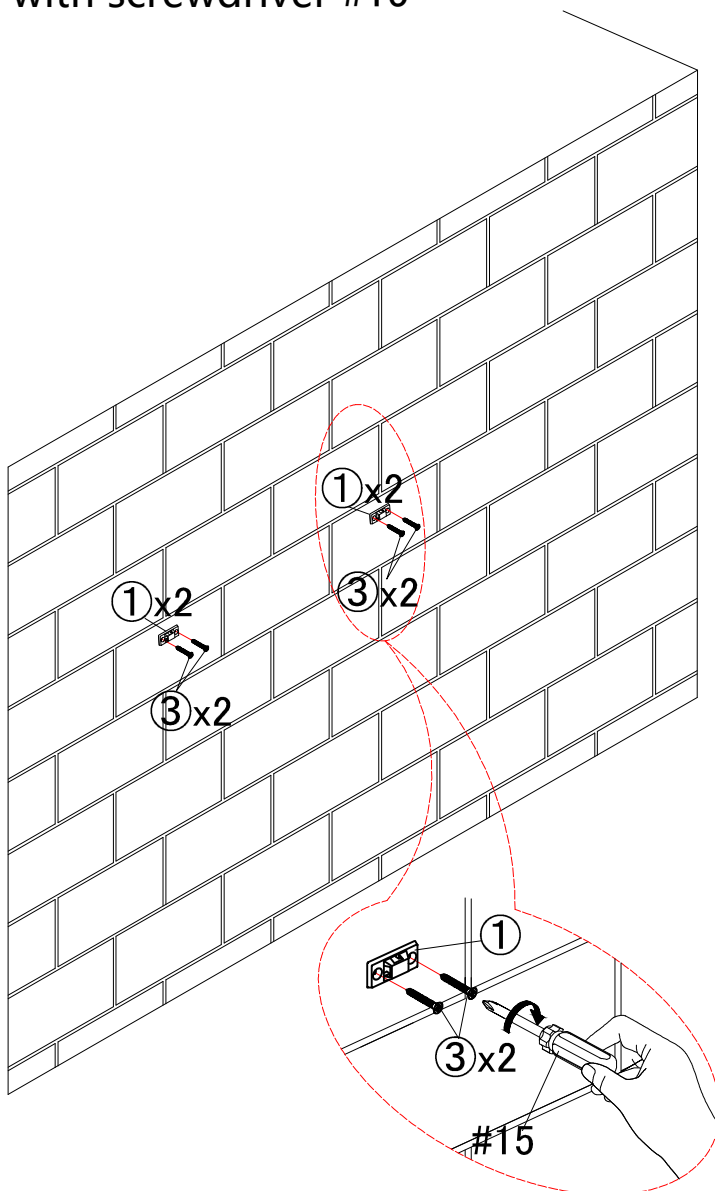


ASSEMBLY INSTRUCTIONS

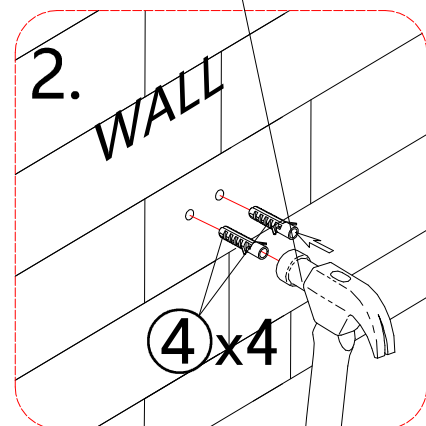
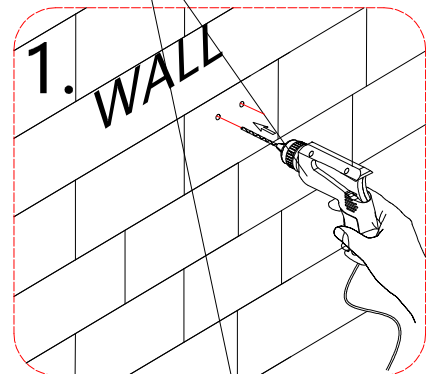


STEP-20

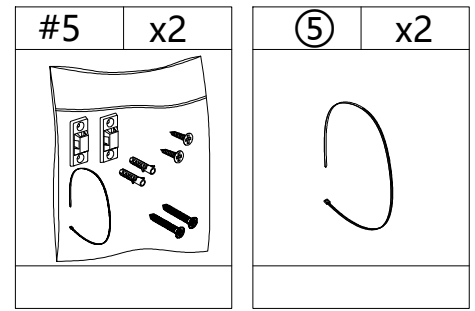
1. Mark the position on the wall, that corresponds to the location of bracket ① on the panel A; Drill and insert the expandable screw ④ by hammer.
2. Assemble the bracket ① to the wall. Align the hole in the bracket ① with the expandable screw ④, use screw ③ to attach it, tighten screw ③ with screwdriver #15



NOT PROVIDED

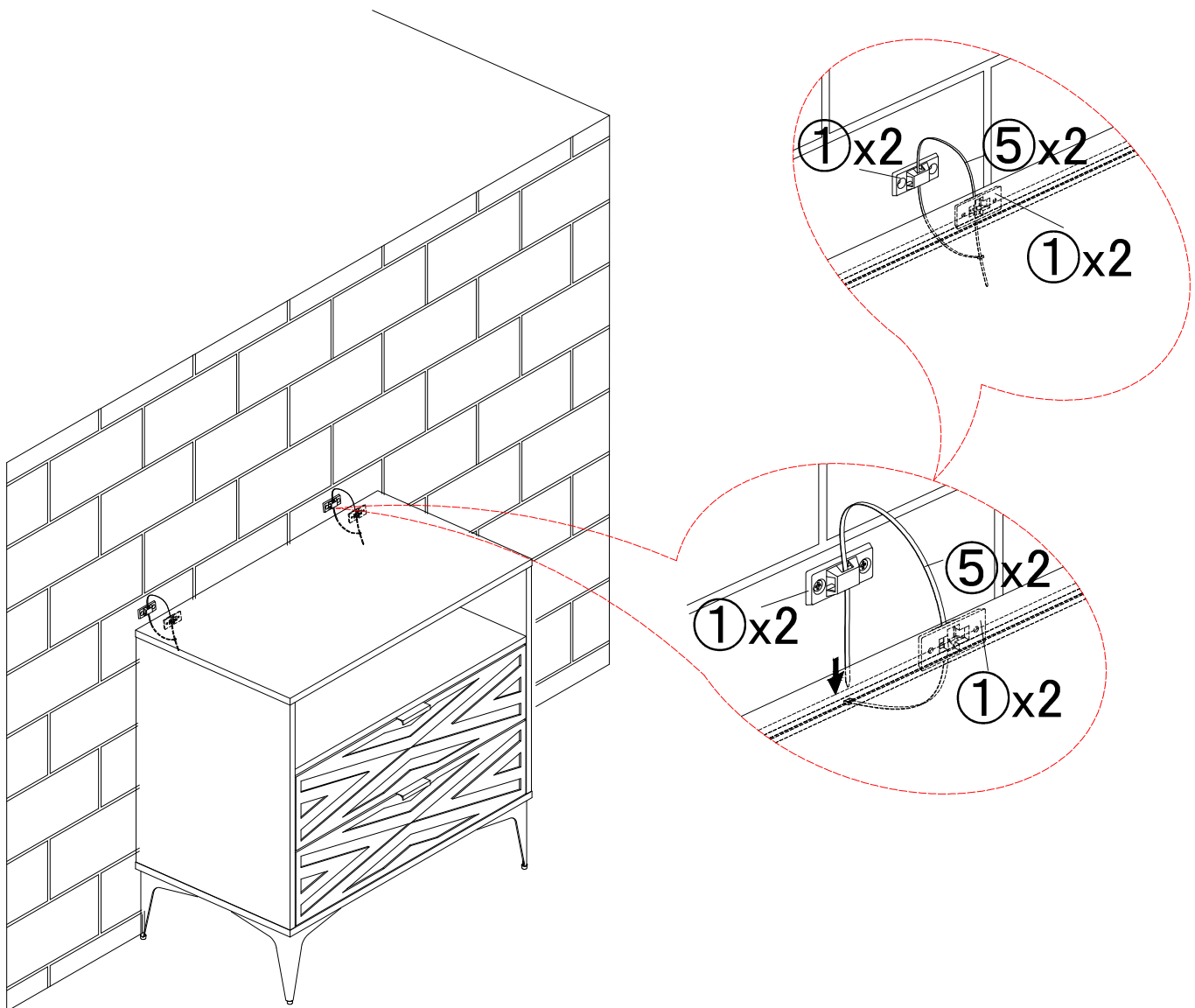


ASSEMBLY INSTRUCTIONS



STEP-21

3. Let the plastic belt ⑤ pass through bracket ① and pull tightly.



WARRANTY

1. We strive to offer high-quality products, and we also try our best to satisfy each and every customer that orders from us with product or service as needed.
2. We provide 30 days warranty starting from the time you receive the item. Each customer must provide a record of their order such as the order number, or item receipt for any items that are out of the warranty period you may also still receive.
3. Replacement parts by purchasing them with our company if they are available.