

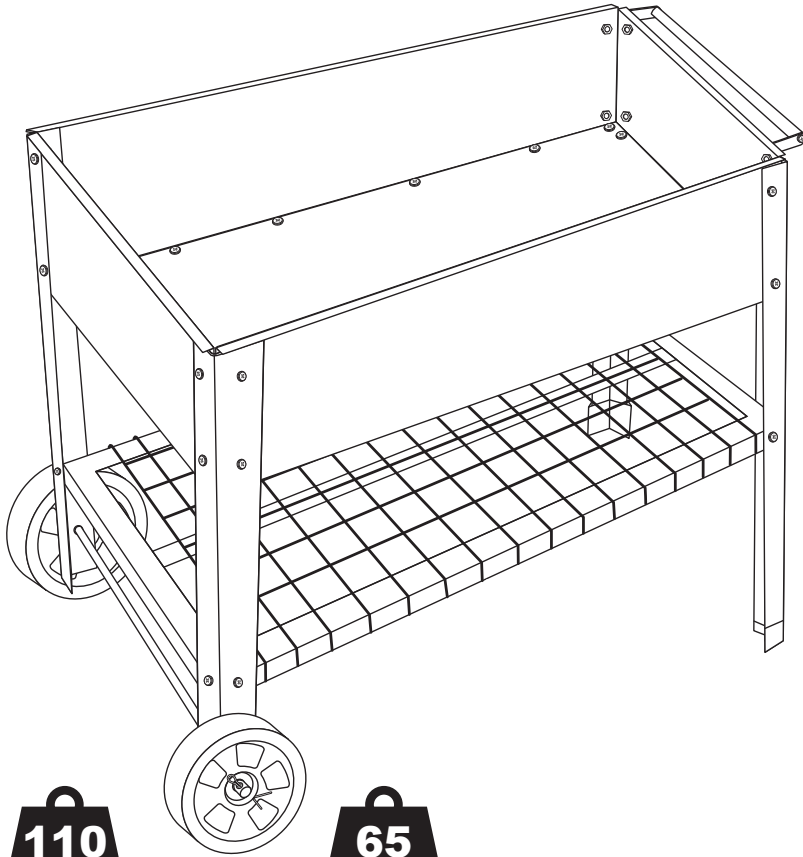
Purchase Date: \_\_\_ / \_\_\_ / \_\_\_ Order/Customer Reference Number: \_\_\_\_\_

Thank you for choosing. We stand behind our brand and the quality of the items we sell. Replacement parts or products can be requested with the 1-year warranty period. Proof of purchase must be provided. This includes the date of the purchase as well as photos of the product defect. Photos are used to determine the cause of the defect and to provide future quality control. The request will be reviewed, and replacement pieces will be sent at our discretion. If you have any questions, comments or concerns, feel free to contact us.

# STEEL RAISED GARDEN BED CART

Review all assembly and care information before using this product. Save this manual for future reference.

**Assemble components on a soft, clean surface to avoid damaging the finish.**



**110**  
pounds  
49.9 kg

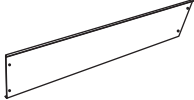

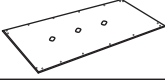
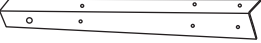




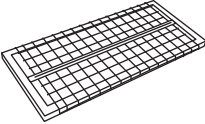



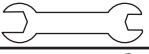
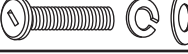

Weight Capacity  
Planter Box

**65**  
pounds  
29.5 kg

Weight Capacity  
Shelf



Inspect packaging to ensure all parts are accounted for before disposing of packing materials.  
Save the packing slip.

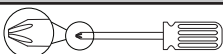
No.	PARTS	QTY.
A	 Side Panel	2
B	 End Panel	2
C	 Bed Panel	1
D	 Wheel Leg	2
E	 Handle Leg	2
F	 Wheel	2
G	 Washer	2
H	 Cotter Pin	2
I	 Shelf	1
J	 Handle Bracket	2
K	 Handle	1
L	 Shaft	1
M	 Spanner	1
N	 Handle Hardware	2
O	 Bolt Set	40



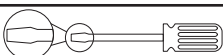
**CAUTION:**  
**SHARP EDGES**  
**USE EXTREME CAUTION**

◀ WEAR GLOVES DURING ASSEMBLY ▶

## TOOLS REQUIRED (not included)



Phillips Screwdriver



Regular Screwdriver

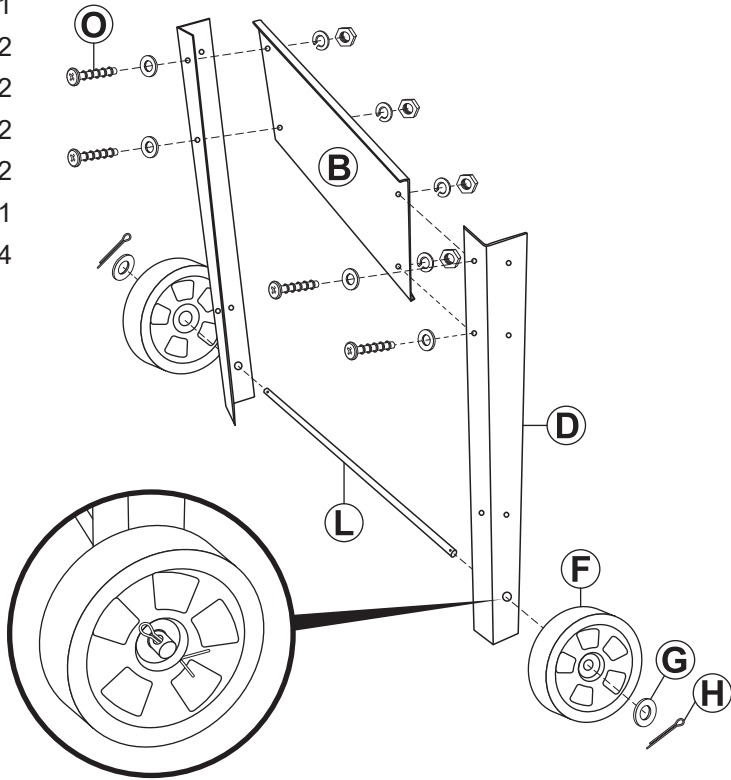
## WARNING

**CHOKING HAZARD** — This item contains small parts that can be swallowed by children. Keep children and pets away during assembly.

# ASSEMBLY

## STEP 1

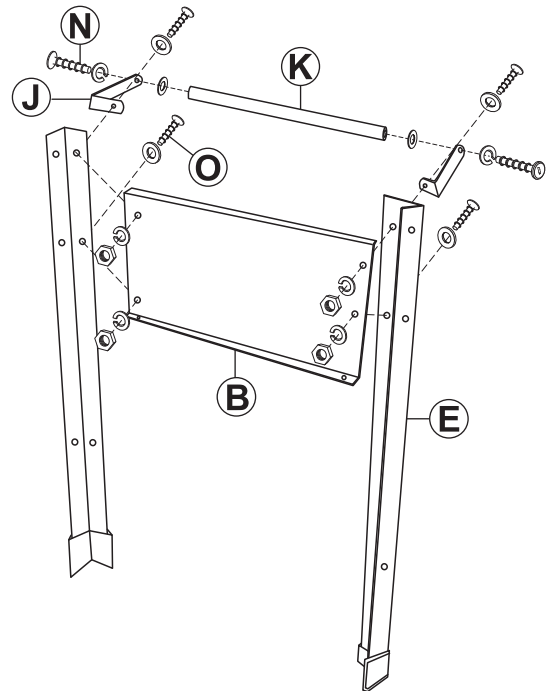
- B: 1
- D: 2
- F: 2
- G: 2
- H: 2
- L: 1
- O: 4



Do not fully tighten hardware until step 5 is complete.

## STEP 2

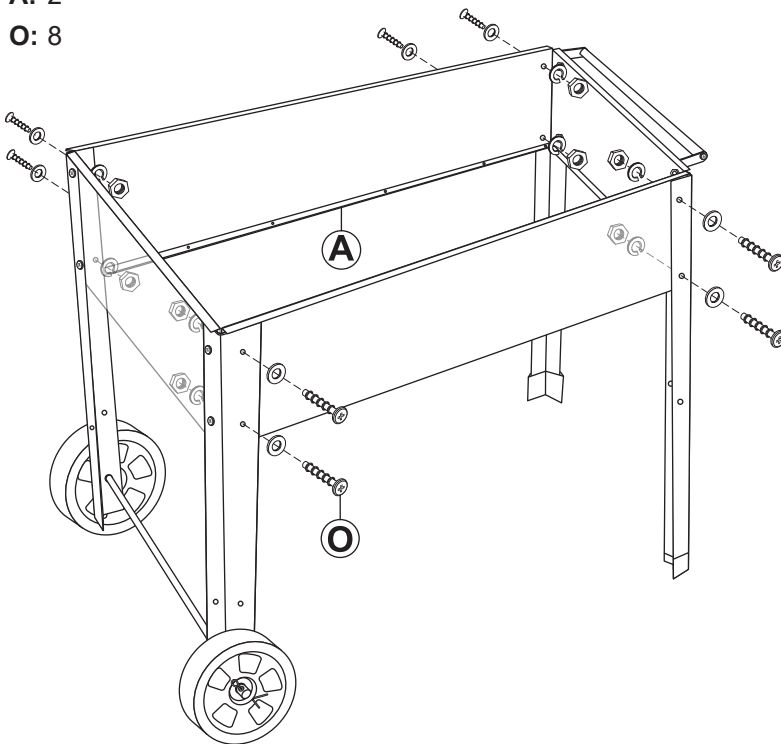
- B: 1
- E: 2
- J: 2
- K: 1
- N: 2
- O: 4



Do not fully tighten hardware until step 5 is complete.

## STEP 3

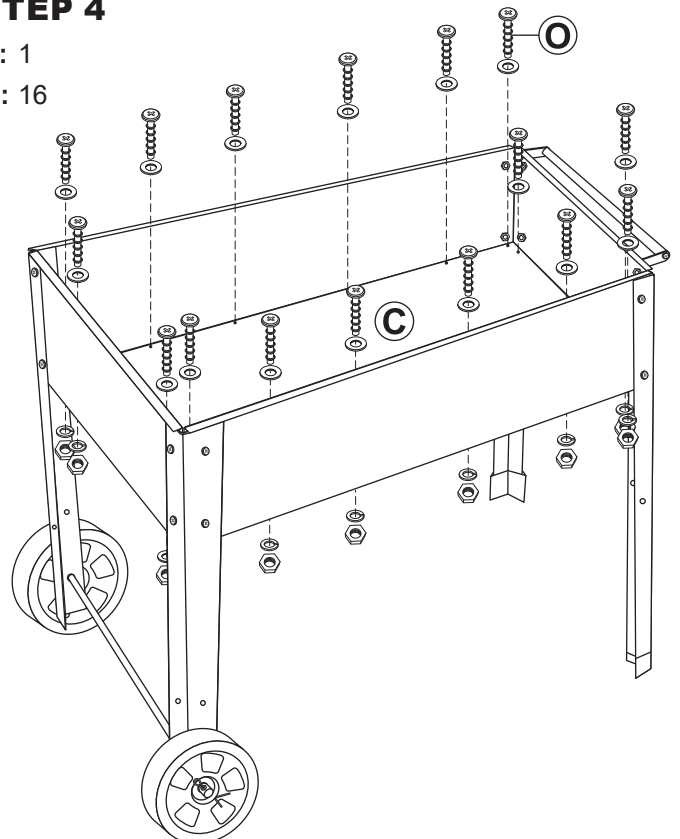
- A: 2
- O: 8



Do not fully tighten hardware until step 5 is complete.

## STEP 4

- C: 1
- O: 16

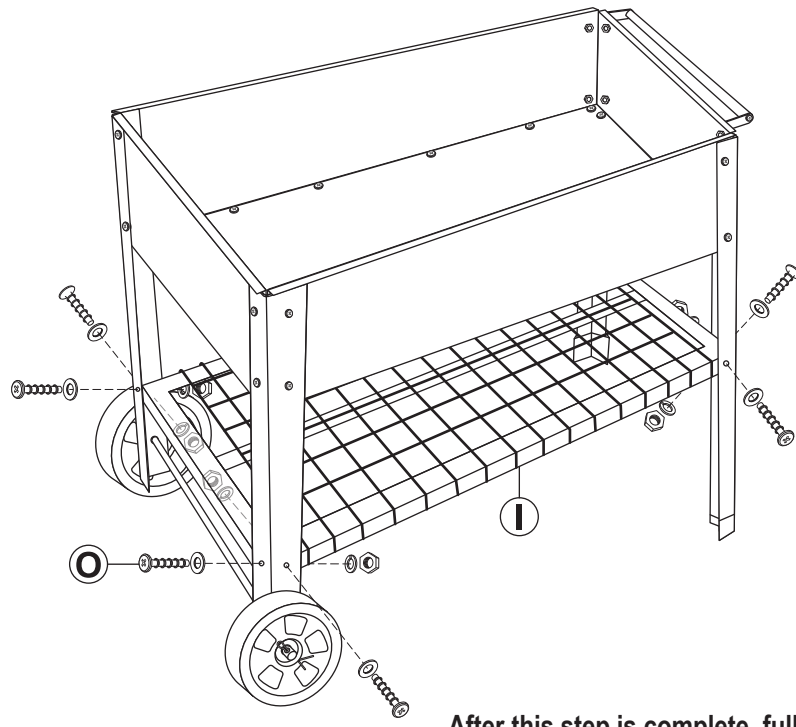


Do not fully tighten hardware until step 5 is complete.

## STEP 5

I: 1

O: 8



After this step is complete, fully tighten all hardware on the entire unit.

# Care & Maintenance

**SAFE USE:** Select a flat, level surface before filling and using the planter box. Do not sit, stand, or climb on any part of this unit. Do not exceed the weight capacity of the unit.

**INSPECT:** Periodically check all nuts and bolts and tighten as necessary. **NOTE:** The hardware is not weatherproof, long-term exposure to humidity and precipitation will result in rust.

**MOVING:** Use caution if moving the unit while it is full; ensure the handle is tightly secured, then lift to use the wheels and slowly push to move the garden bed cart to the desired location. Do not drag the garden bed as doing so may weaken assembly points and could cause breakage.

**CLEANING:** Wipe surfaces with a soft, damp cloth.

**EXPOSURE & MAINTENANCE:** Over time, sunlight and weather elements may degrade and change the color of this product. Maintain the appearance and prevent damage by emptying and storing in a warm, dry, indoor location during freezing temperatures and when not in use. Manufacturer is not liable for damage resulting from general use, misuse, and/or environmental conditions.

**SCRATCHES:** The powder coating is tough and durable but even under normal use, some scratching is inevitable. To prevent rust, wipe scratched areas to remove moisture. Scratches can be repaired with a rust-resistant paint.

**WARNING:** THE ONE-YEAR WARRANTY DOES NOT COVER DAMAGES OR DEFECTS CAUSED BY THE APPLICATION OF CHEMICAL TREATMENTS, PROTECTIVE COATINGS, TOUCH-UP PAINT, OR CLEANING PRODUCTS.

## ! HELPFUL HINT

Lining the planter box with landscaping fabric is recommended.

Lining the planter box can help insulate the soil against extreme temperatures, help retain soil moisture, prevent soil from escaping through the drainage holes, and could help maintain the overall appearance of the garden bed.

## SAFETY STATEMENTS & WARNINGS

- For residential use only.
- Do not exceed the weight capacity of the unit.
- Supervise children at all time when in proximity of this product.
- Inspect assembly points frequently and tighten loose hardware as necessary.
- Never use a pressure washer, harsh chemicals or abrasive materials to clean the unit.
- Avoid exposure to freezing weather; exposure to winter weather may cause the finish to crack and chip.

**Any modification to the product or failure to follow recommended care will void the product warranty.**

*If you experience issues with assembly or the product was damaged during shipping, please contact our customer service team through one of the methods mentioned at the top of page 1. Please have the item number and order information ready to expedite response time.*

### **WARNING!**

**Manufacturer and seller expressly disclaim any and all liability from personal injury, property damage or loss, whether direct or indirect, or incidental, resulting from the incorrect attachment, improper use, inadequate maintenance, or neglect of this product.**