

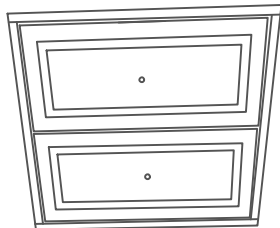
# MODEL : ISABELLA NIGHTSTAND

Read this instruction carefully. Refer hardware and furniture part list for guidance. Be sure all part is complete before you assemble. Place all wooden furniture part on a clean and flat soft surface to prevent from being scratched. Follow the figure to start assembling.

CAUTIONS :  
Keep all hardware part out of reach of children.

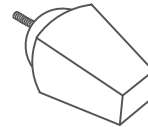


## PARTS LIST



NIGHT STAND

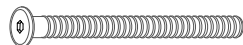
(A) 1 PC



LEGS

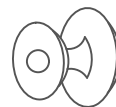
(B) 4 PCS

## HARDWARE LIST



JCBC M4 X 30 MM

(1) 2 PCS



HANDLE

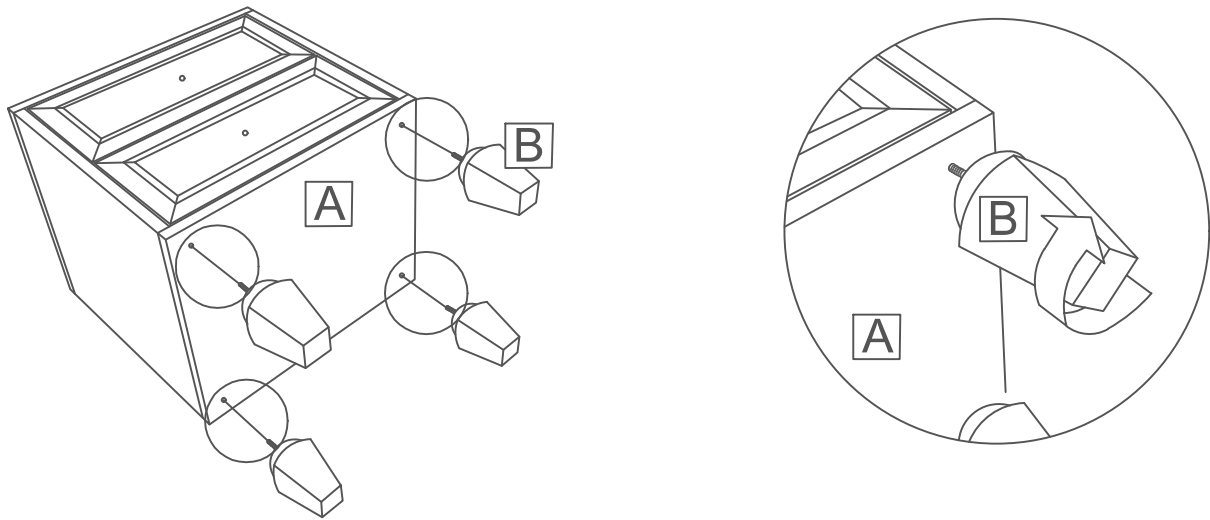
(2) 2 PCS



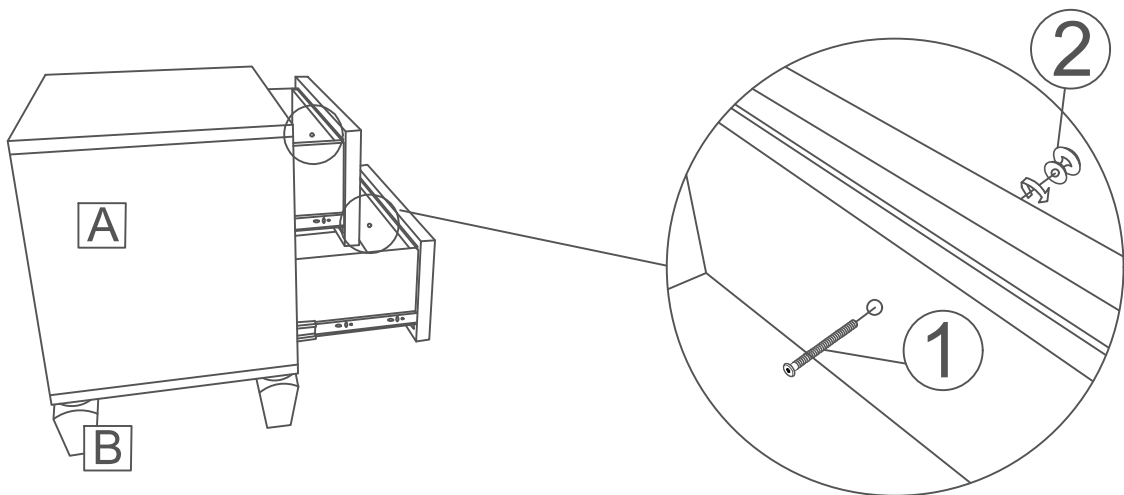
SCREWDRIVER

REQUIRED TOOL NOT INCLUDED

# STEP 1



# STEP 2



# STEP 3



COMPLETED ASSEMBLY