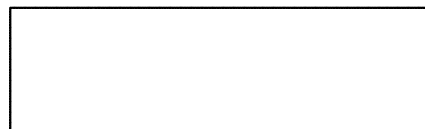


ASSEMBLY INSTRUCTIONS

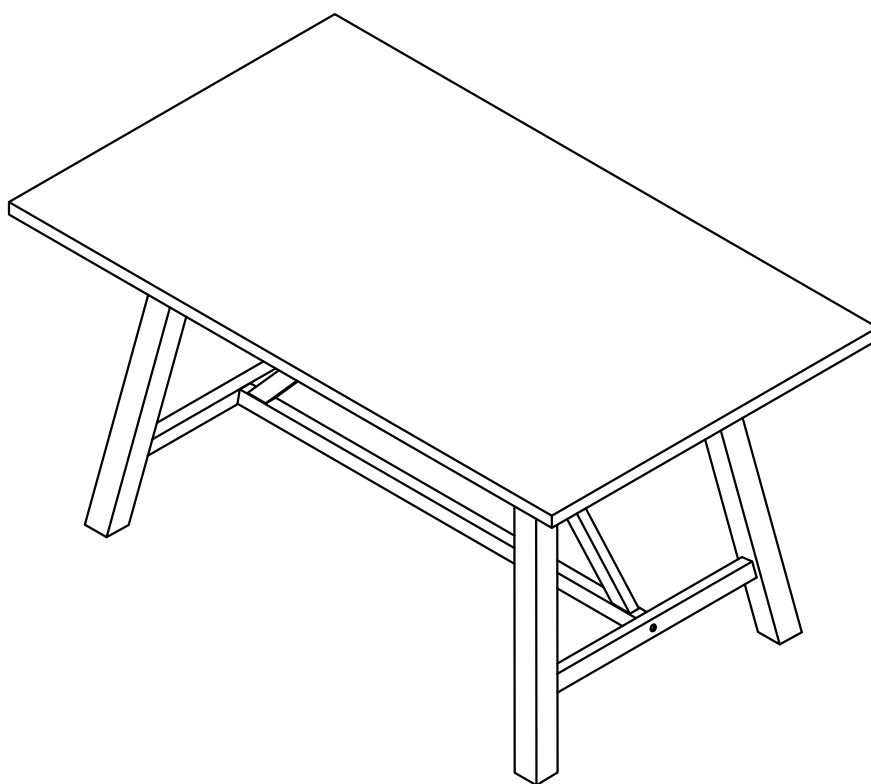
PLEASE DO NOT RETURN PRODUCT TO STORE

If you have any problem or concerns, please feel free to contact our customer
Service department. We will reply you as soon as possible

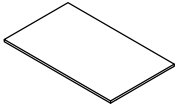

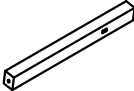



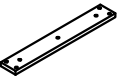







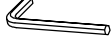


IMPORTANT NOTE :

- ** PLACE ALL PARTS ON A CLEAN AND SMOOTH SURFACE SUCH AS A RUG OR CARPET TO AVOID THE PARTS FROM BEING SCRATCHED.
- ** BEFORE YOU BEGIN, KINDLY FOLLOW THE ASSEMBLY INSTRUCTIONS STEP BY STEP.
- **DO NOT TIGHTEN ALL SCREWS AND BOLTS UNTIL THE CHAIR IS FULLY SET-UP.



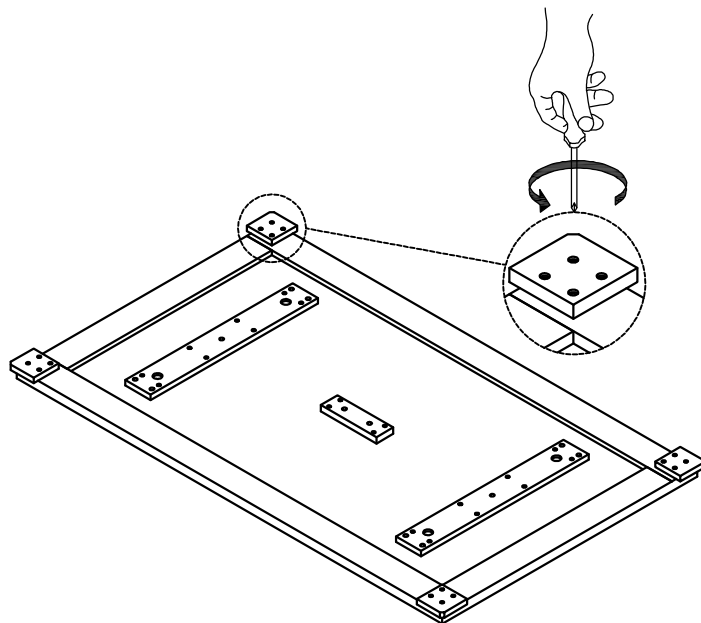
CARTONS ONLY ONE/ CARTONS SEULEMENT UN

PART LISTS				HARDWARE LISTS			
NO.	DESCRIPTION	SKETCH	Q'TY	NO.	DESCRIPTION	SKETCH	Q'TY
1	TABLE TOP		1 PC	A	BOLT Ø1/4" x 38mmL		4 PCS
2	LEG - R		2 PCS	B	BOLT Ø5/16" x 30mmL		10 PCS
3	LEG - L		2 PCS	C	BOLT Ø5/16" x 50mmL		4 PCS
4	SUPPORT		2 PCS	D	BOLT Ø1/4" x 45mmL		2 PCS
5	SIDE STRECHER		2 PCS	E	CREW Ø4 x 45mmL		4 PC
6	MIDDLE STRECHER		1 PC	F	SPRING WASHER Ø1/4" x 13mmL		14 PCS
7	VERTICAL STRECHER		2 PCS	G	FLAT WASHER Ø1/4" x 19mmL		14 PCS
				H	ALLEN KEY		1 PC

ASSEMBLY INSTRUCTIONS

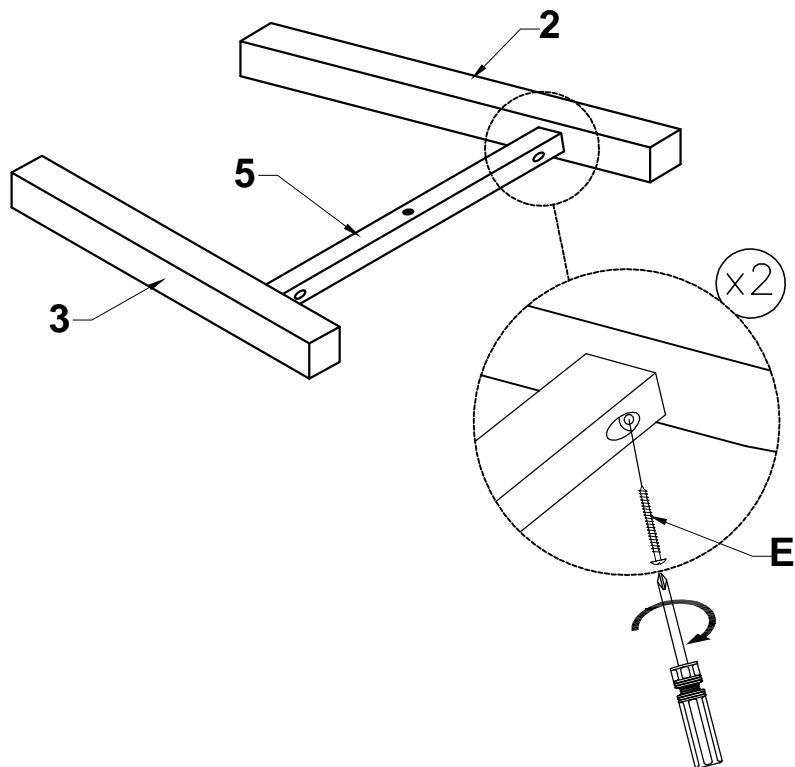
STEP 1:

Remove the corner protectors before assembly leg

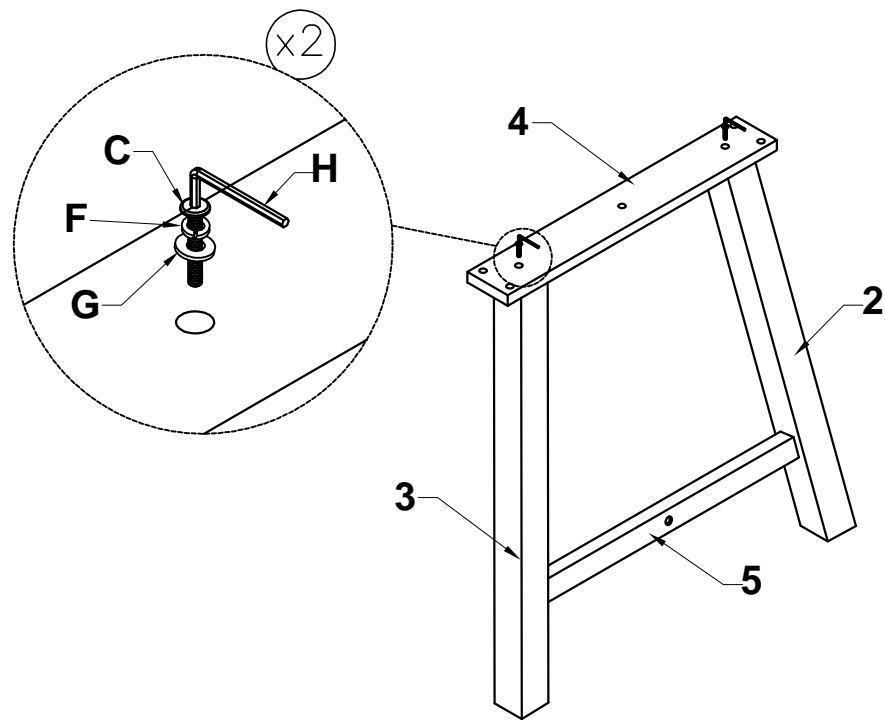


ASSEMBLY INSTRUCTIONS

STEP 2:

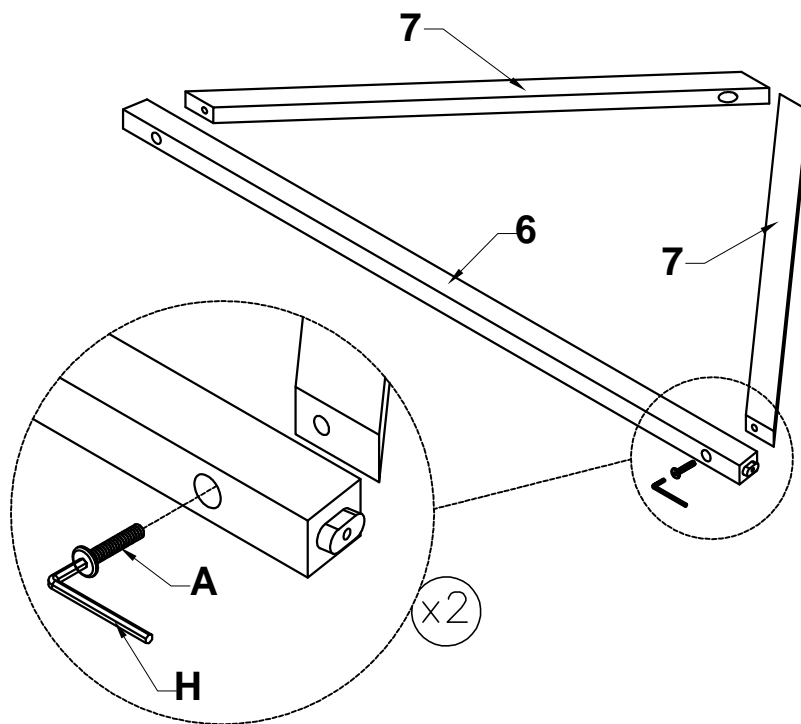


STEP 3:

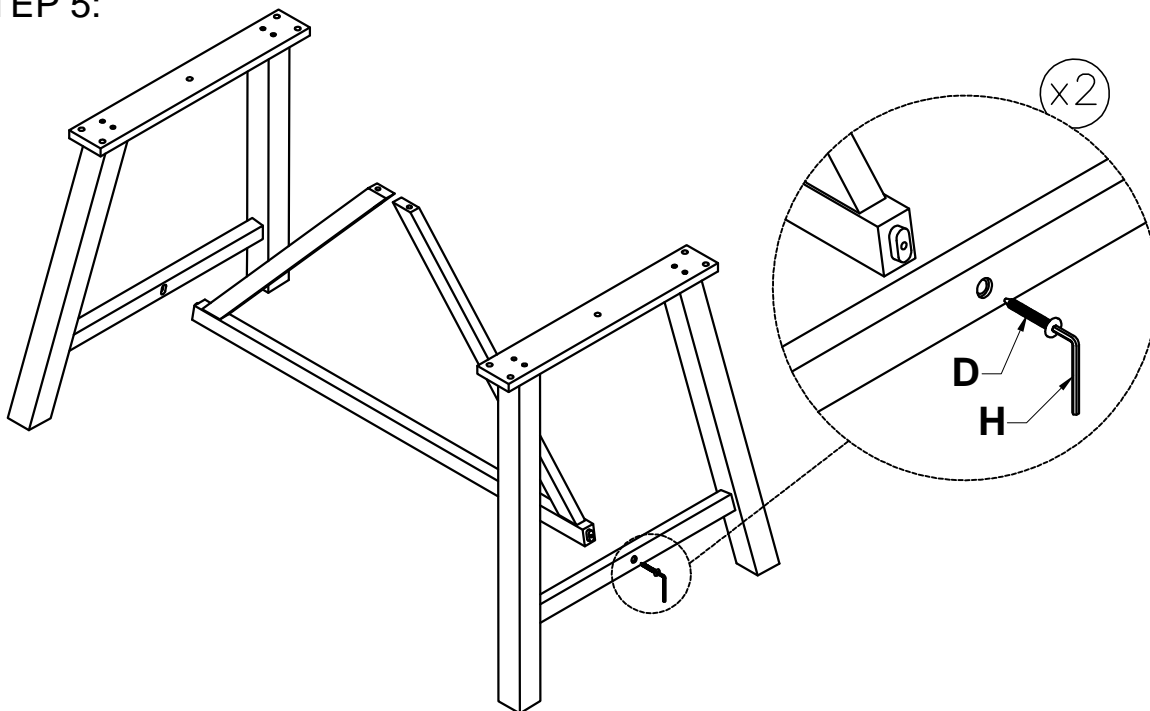


ASSEMBLY INSTRUCTIONS

STEP 4:

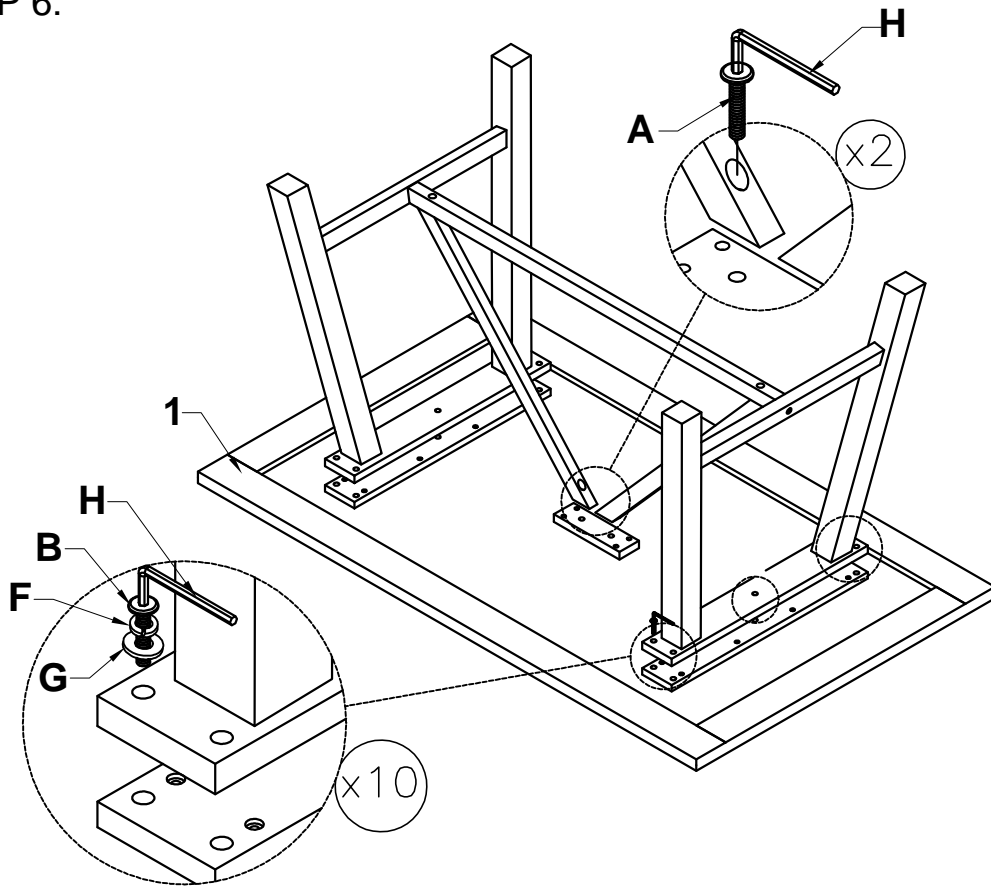


STEP 5:

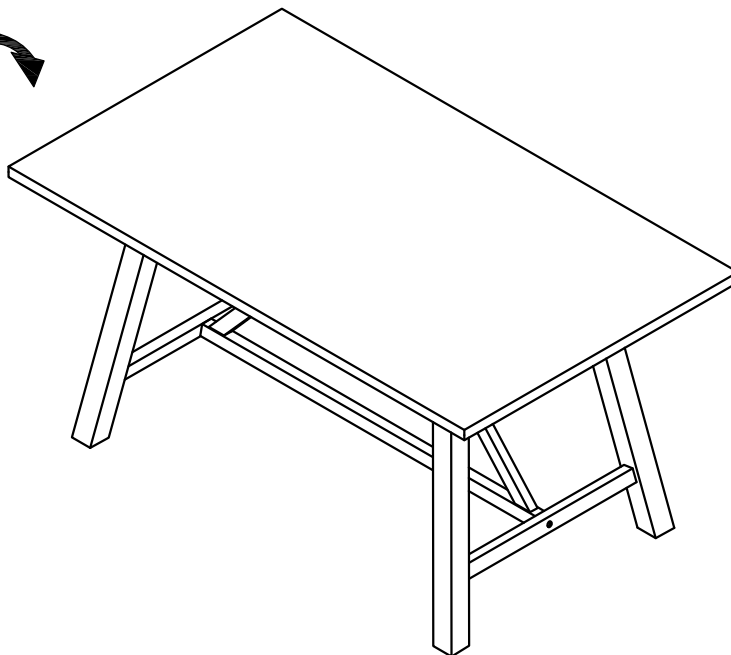


ASSEMBLY INSTRUCTIONS

STEP 6:



STEP 7:



ASSEMBLY INSTRUCTIONS

WF193778-DINING BENCH

PLEASE DO NOT RETURN PRODUCT TO STORE

If you have any problem or concerns, please feel free to contact our customer Service department. We will reply you as soon as possible

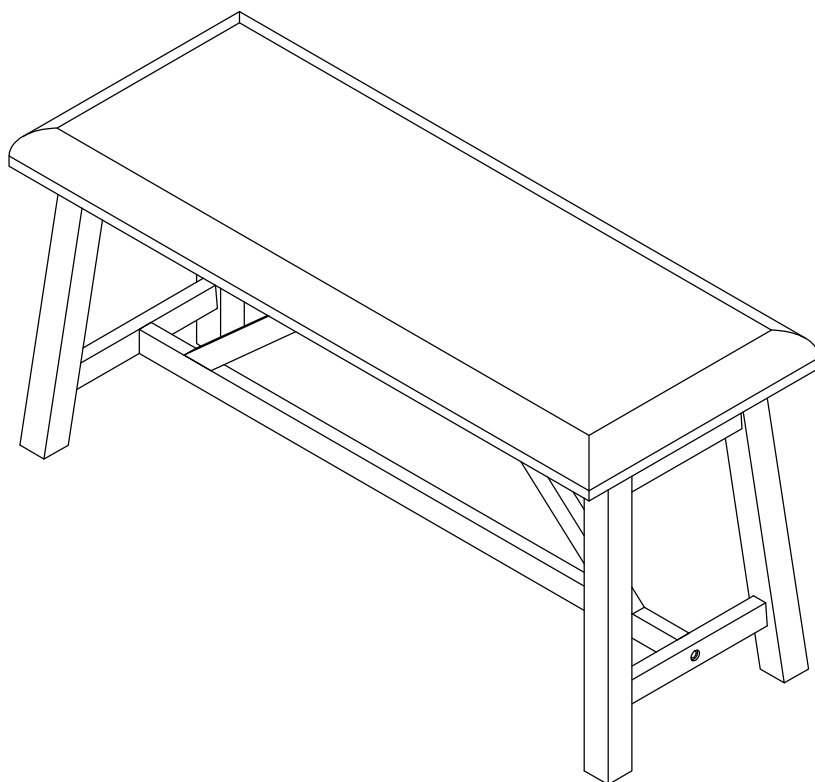


E-Mail: csr@merax.com

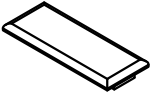




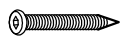


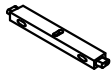



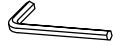
Tel: 626-912-8886 Ext.100

IMPORTANT NOTE :

- ** PLACE ALL PARTS ON A CLEAN AND SMOOTH SURFACE SUCH AS A RUG OR CARPET TO AVOID THE PARTS FROM BEING SCRATCHED.
- ** BEFORE YOU BEGIN, KINDLY FOLLOW THE ASSEMBLY INSTRUCTIONS STEP BY STEP.
- **DO NOT TIGHTEN ALL SCREWS AND BOLTS UNTIL THE CHAIR IS FULLY SET-UP.

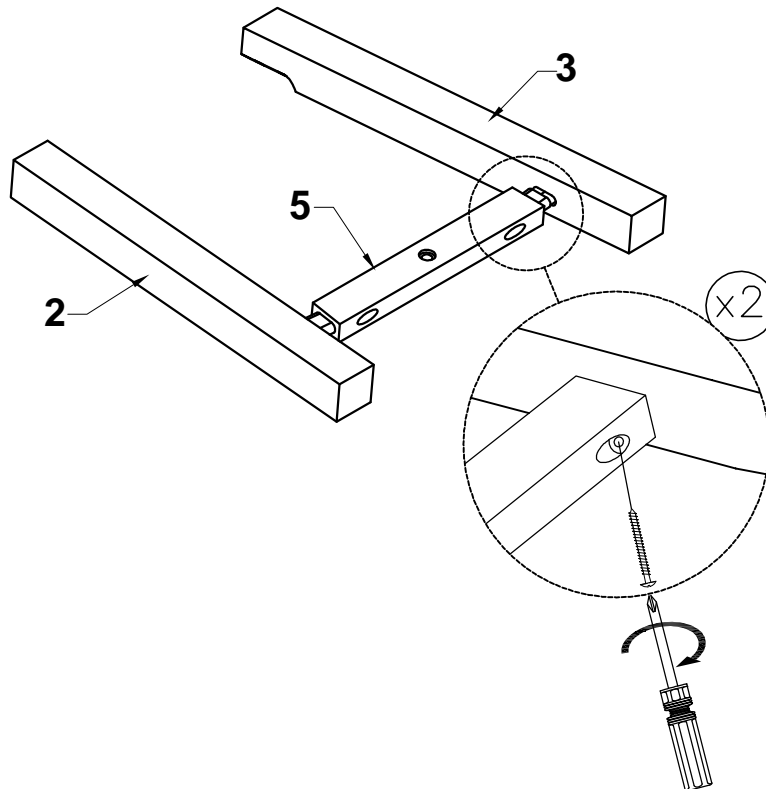


CARTONS ONLY ONE/ CARTONS SEULEMENT UN

PART LISTS				HARDWARE LISTS			
NO.	DESCRIPTION	SKETCH	Q'TY	NO.	DESCRIPTION	SKETCH	Q'TY
1	TABLE TOP		1 PC	A	BOLT Ø1/4" x 38mmL		4 PCS
2	LEG - R		2 PCS	B	BOLT Ø1/4" x 60mmL		8 PCS
3	LEG - L		2 PCS	C	BOLT Ø1/4" x 35mmL		2 PCS
4	MIDDLE STRECHER		1 PC	D	SPRING WASHER Ø1/4" x 13mmL		8 PCS
5	HORIZONTAL STRECHER		2 PCS	E	FLAT WASHER Ø1/4" x 19mmL		8 PCS
6	VERTICAL STRECHER		2 PCS	F	CREW Ø4 x 45mmL		4 PC
				G	ALLEN KEY		1 PC

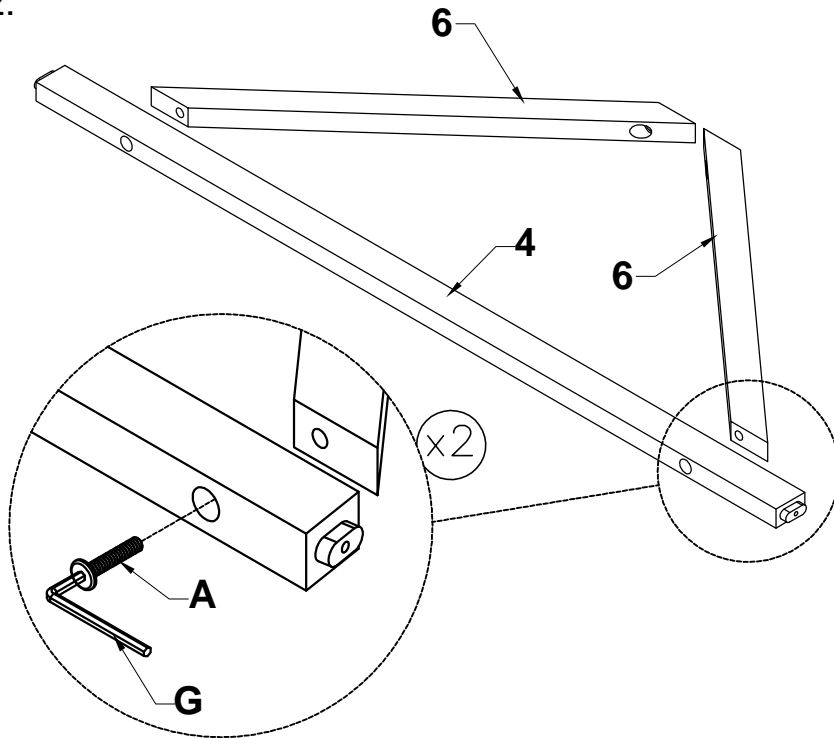
ASSEMBLY INSTRUCTIONS

STEP 1:

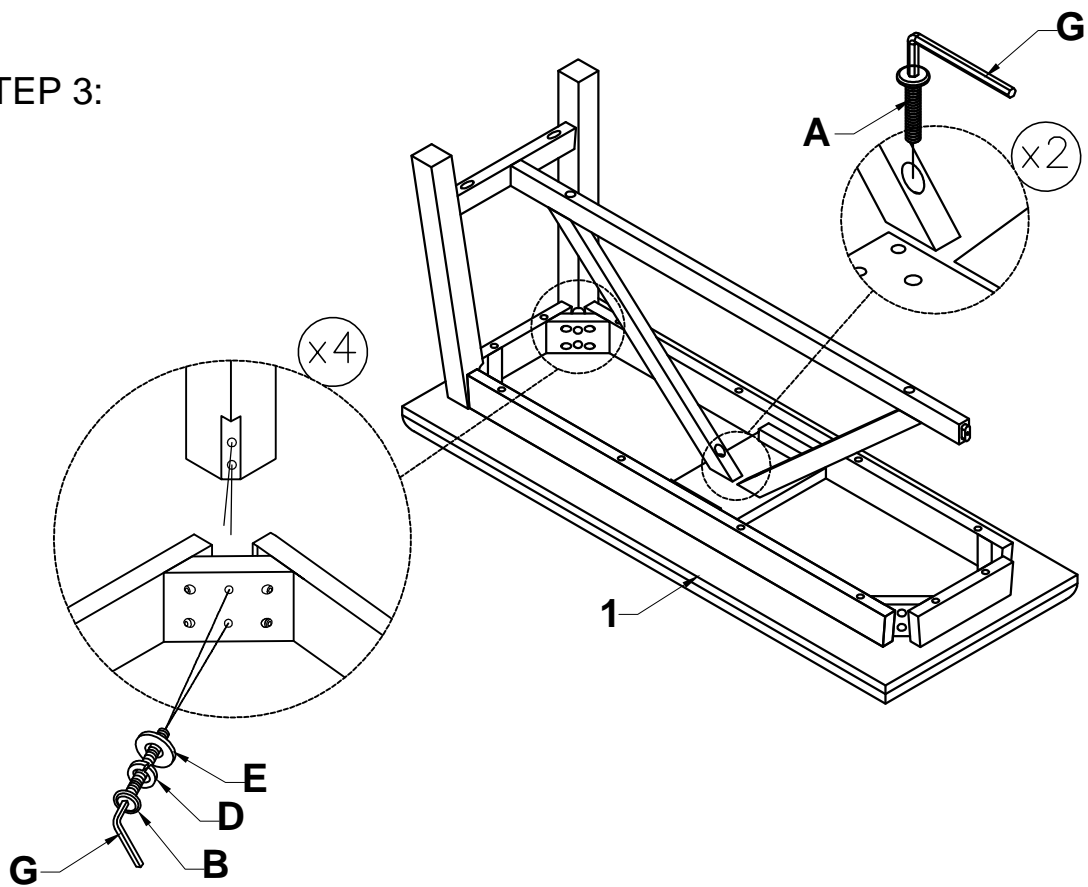


ASSEMBLY INSTRUCTIONS

STEP 2:

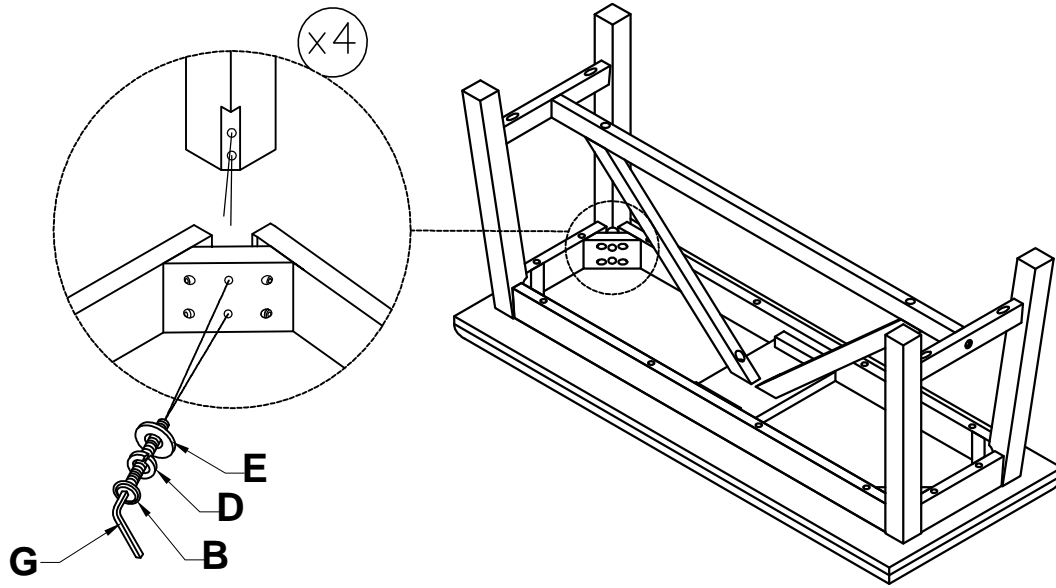


STEP 3:

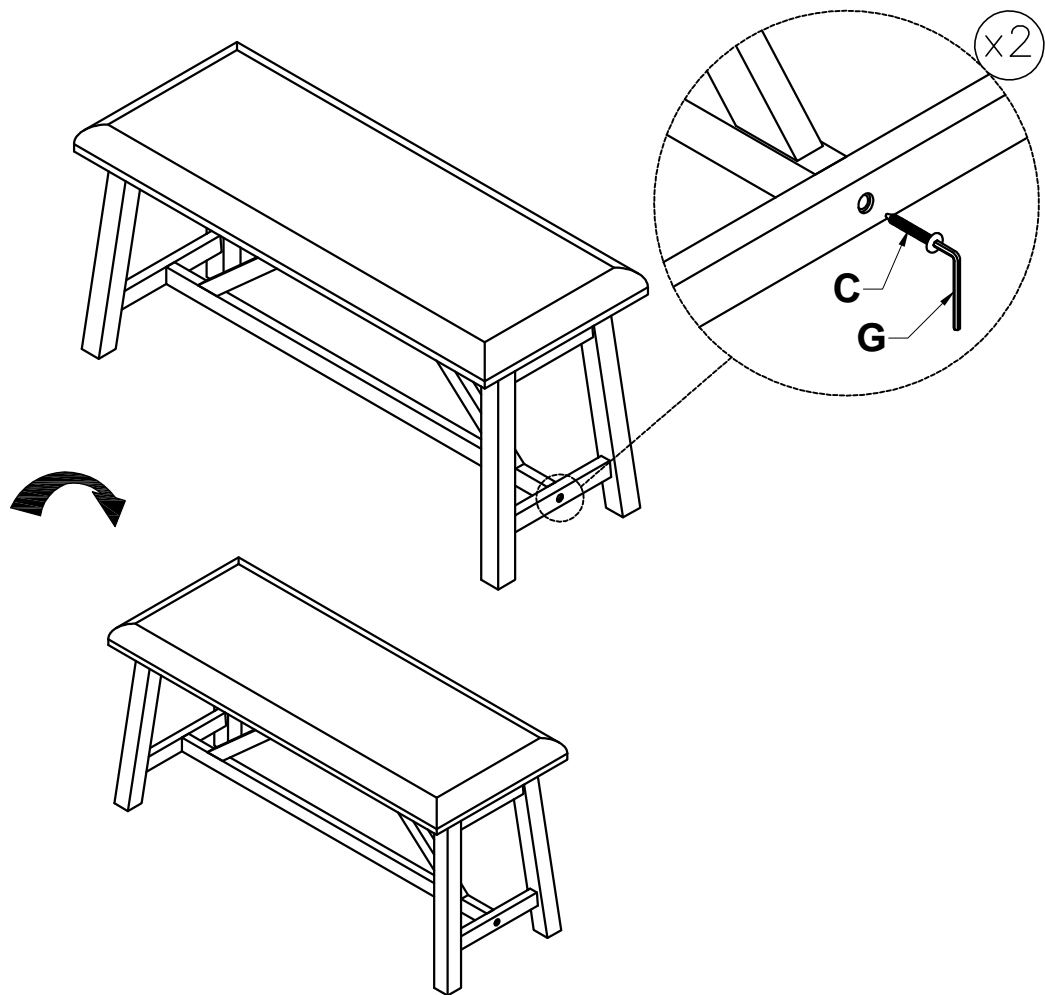


ASSEMBLY INSTRUCTIONS

STEP 4:



STEP 5:



ASSEMBLY INSTRUCTIONS

WF193778-DINING CHAIR

PLEASE DO NOT RETURN PRODUCT TO STORE

If you have any problem or concerns, please feel free to contact our customer
Service department. We will reply you as soon as possible

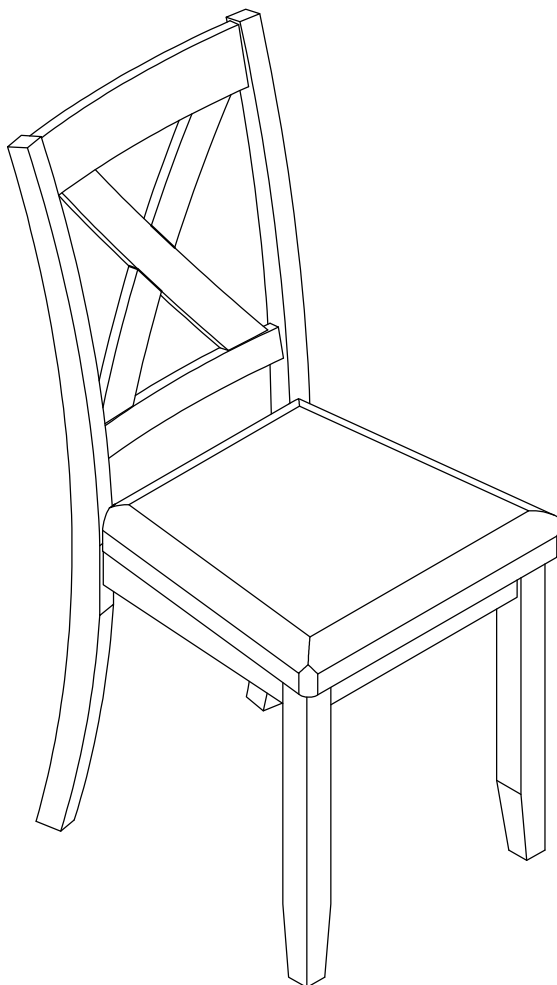


E-Mail: csr@merax.com

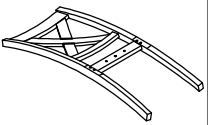

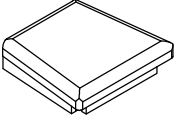

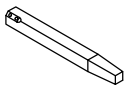




Tel: 626-912-8886 Ext.100

IMPORTANT NOTE :

- ** PLACE ALL PARTS ON A CLEAN AND SMOOTH SURFACE SUCH AS A RUG OR CARPET TO AVOID THE PARTS FROM BEING SCRATCHED.
- ** BEFORE YOU BEGIN, KINDLY FOLLOW THE ASSEMBLY INSTRUCTIONS STEP BY STEP.
- **DO NOT TIGHTEN ALL SCREWS AND BOLTS UNTIL THE CHAIR IS FULLY SET-UP.

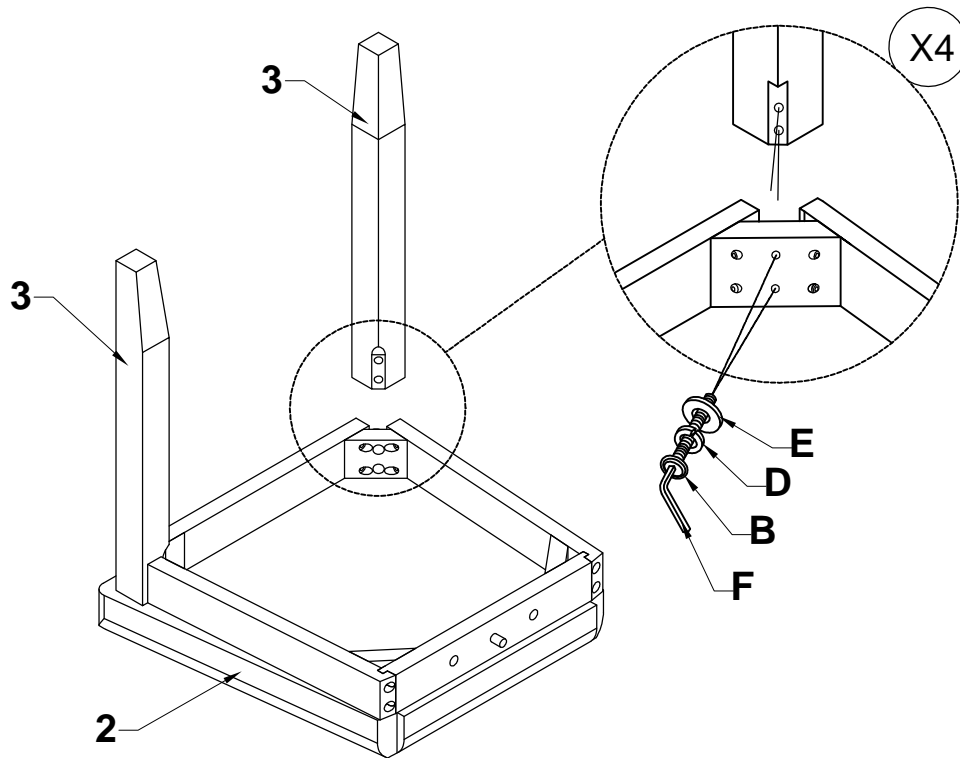


CARTONS ONLY ONE/ CARTONS SEULEMENT UN

PART LISTS				HARDWARE LISTS			
NO.	DESCRIPTION	SKETCH	Q'TY	NO.	DESCRIPTION	SKETCH	Q'TY
1	CHAIR BACK		4 PCS	A	BOLT Ø1/4" x 38mmL		8 PCS
2	SEAT FRAME		4 PCS	B	BOLT Ø1/4" x 60mmL		16 PCS
3	FRONT LEG		8 PCS	C	BOLT Ø1/4" x 75mmL		16 PCS
				D	SPRING WASHER Ø1/4" x 13mmL		40 PCS
				E	FLAT WASHER Ø1/4" x 19mmL		40 PCS
				F	ALLEN KEY		4 PCS

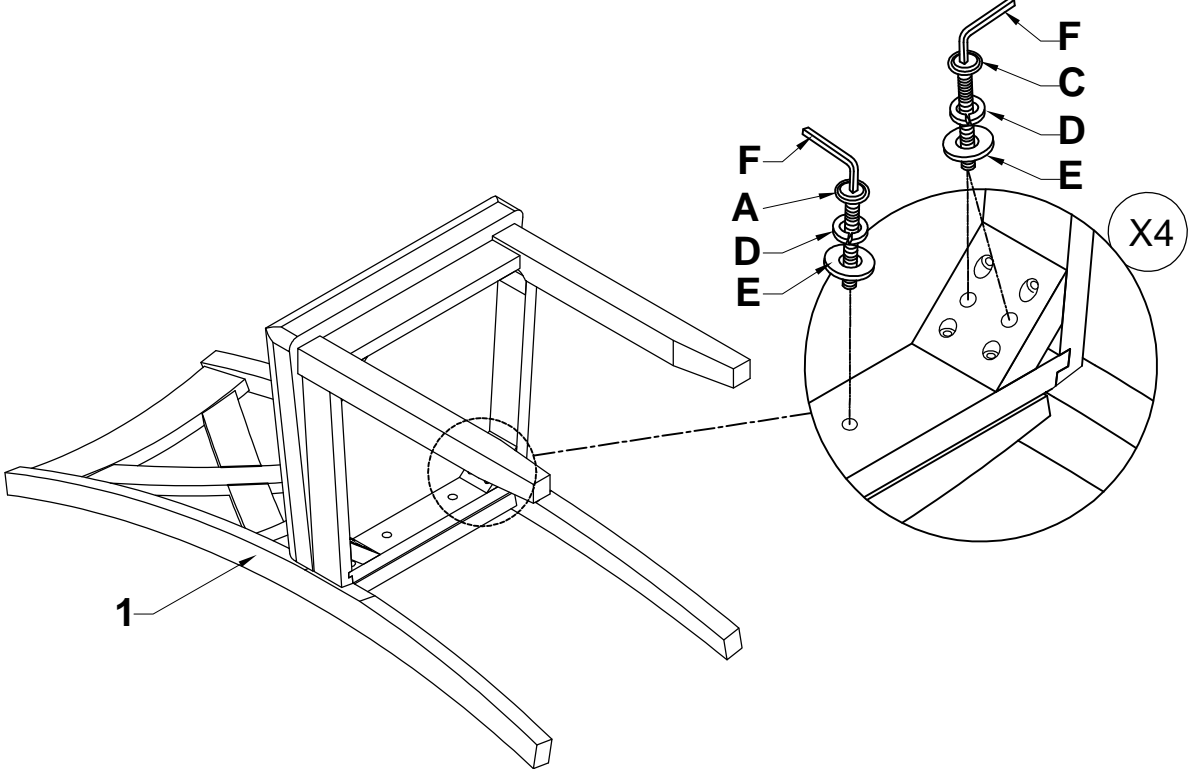
ASSEMBLY INSTRUCTIONS

STEP 1:



ASSEMBLY INSTRUCTIONS

STEP 2:



STEP 3:

