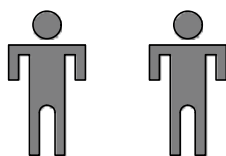
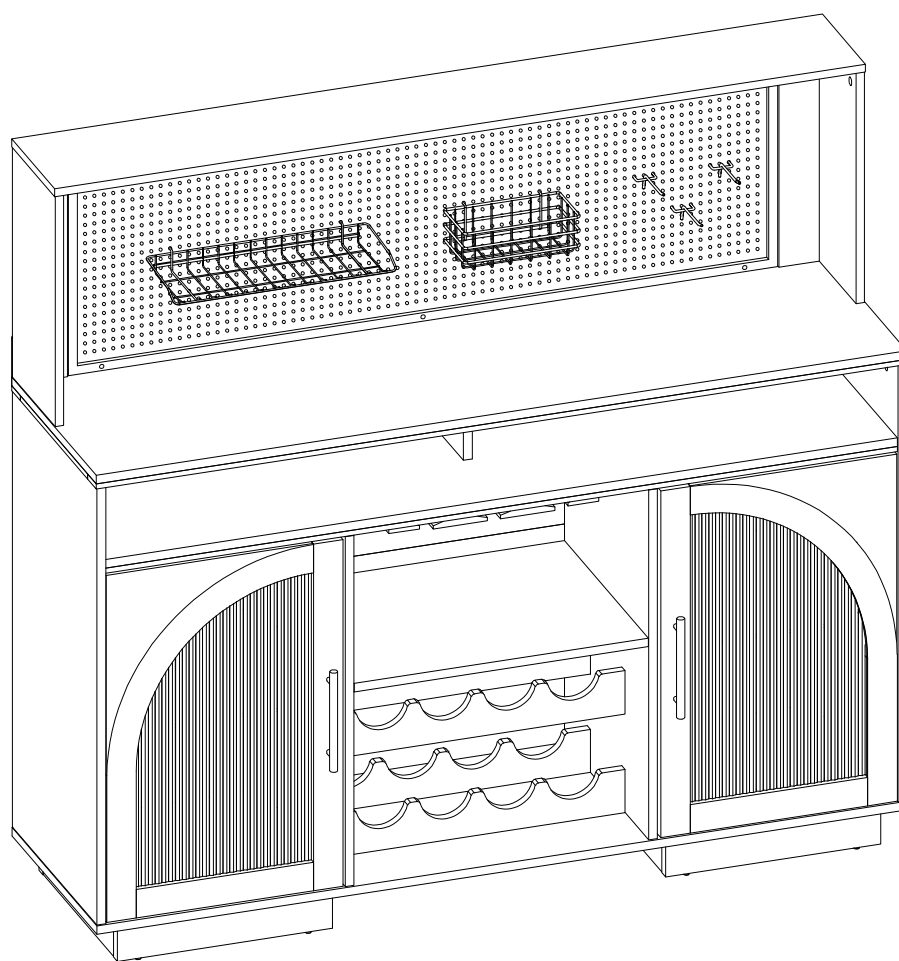


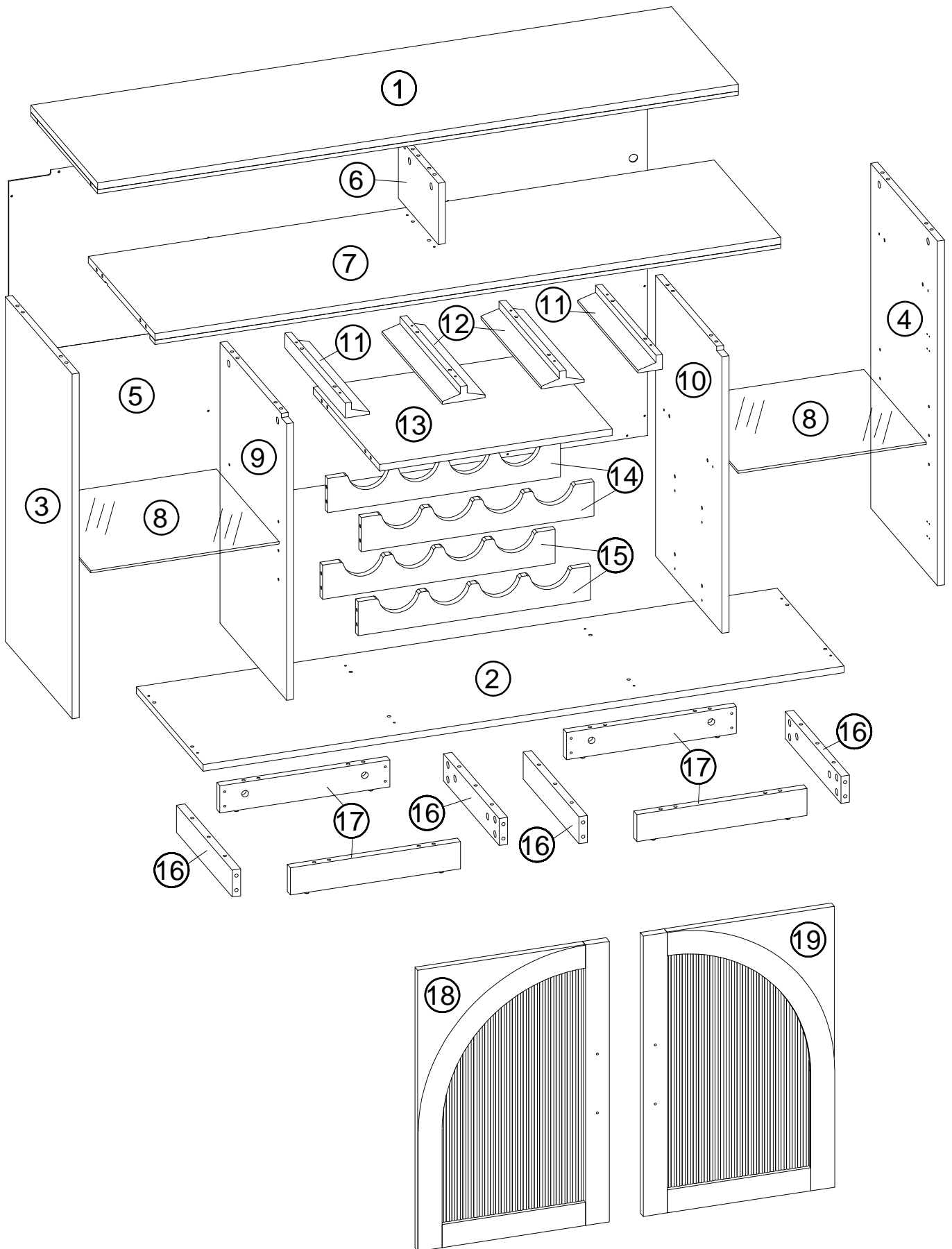
ASSEMBLY INSTRUCTIONS

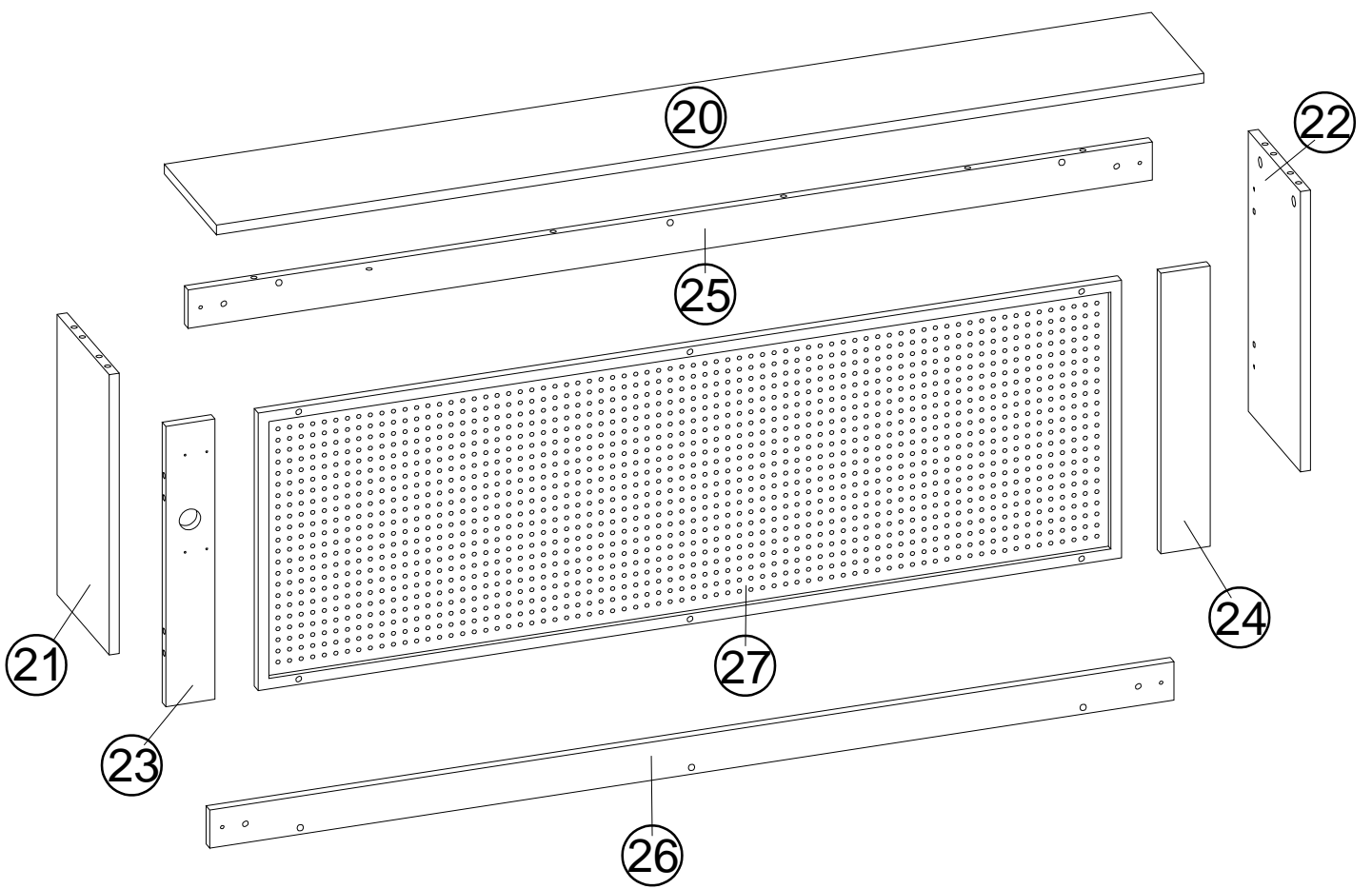
ITEM: MJ6005



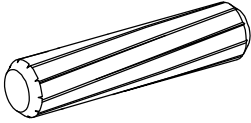



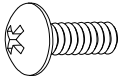
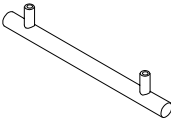
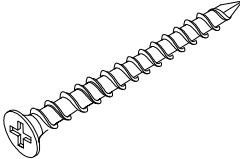
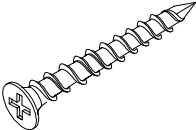
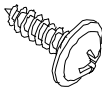
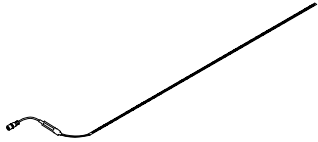
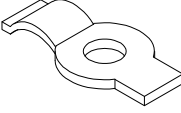
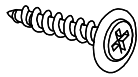
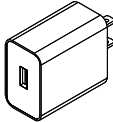
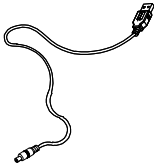

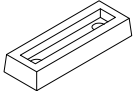
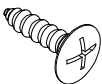
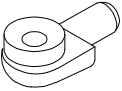
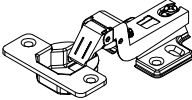
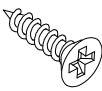
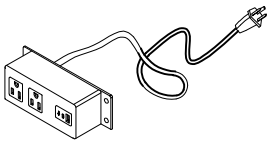
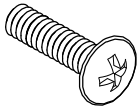
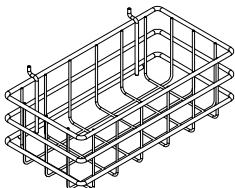
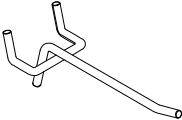
2 people for assembly

PACKAGE INCLUDE

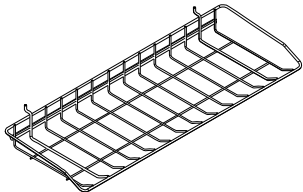
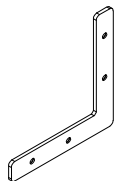
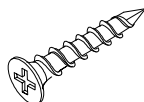
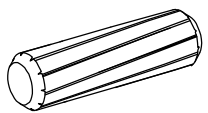
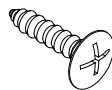
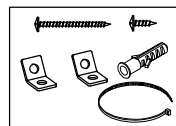




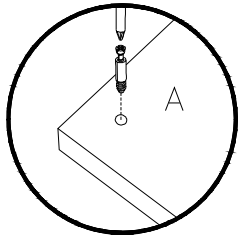
PACKAGE CONTENT

<p>$\phi 7.8 \times 30 \text{MM}$</p>  <p>A 66X+2</p>	 <p>B 14X+1</p>	<p>$\phi 6 \times 34 \text{MM}$</p>  <p>C 70X+2</p>	<p>$\phi 15 \times 12 \text{MM}$</p>  <p>D 70X+2</p>
<p>$\phi 5/32" \times 22 \text{MM}$</p>  <p>E 4X</p>	 <p>F 2X</p>	<p>$\phi 4 \times 50 \text{MM}$</p>  <p>G 10X+1</p>	<p>$\phi 4 \times 38 \text{MM}$</p>  <p>H 8X+1</p>
<p>$\phi 3.5 \times 15 \text{MM}$</p>  <p>I 22X+1</p>	 <p>J 1X</p>	 <p>K 5X+1</p>	<p>$\phi 3 \times 10 \text{MM}$</p> <p>Included In Insert Screws</p>  <p>L 5X+1</p>
 <p>M 1X</p>	 <p>N 1X</p>	<p>Remote Control</p>  <p>O 1X</p>	 <p>P 2X</p>
<p>$\phi 3 \times 12 \text{MM}$</p>  <p>Q 4X+1</p>	 <p>R 8X+1</p>	 <p>S 4X</p>	<p>$\phi 4 \times 14 \text{MM}$</p>  <p>T 24X+1</p>
 <p>U 1X</p>	<p>$1/4" \times 25 \text{MM}$</p>  <p>V 6X+1</p>	 <p>W 1X</p>	 <p>X 3X</p>

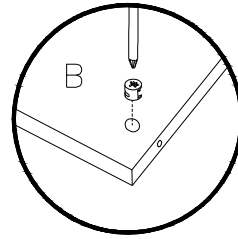
PACKAGE CONTENT

 <p>Y 1X</p>	 <p>Z 2X</p>	<p>Ø4X25MM</p>  <p>AA 12X+1</p>	<p>Ø7.8X20MM</p>  <p>BB 4X+1</p>
<p>Ø3.5X15MM</p>  <p>CC 4X+1</p>	 <p>DD 2X</p>		

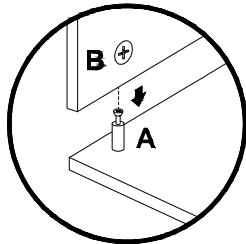
How to use the cam lock system



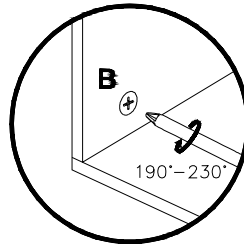
1. Screw cam bolt into panel



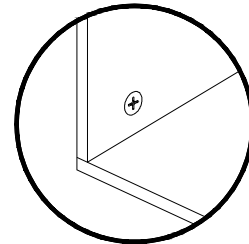
2. Push cam into panel - arrow feature on cam top points to panel edge



3. Align cam bolt(s) with cam(s) and insert all the way into cross-bored hole(s)

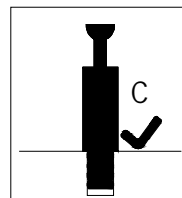
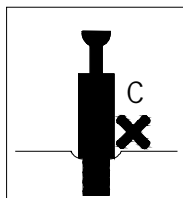
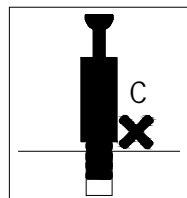
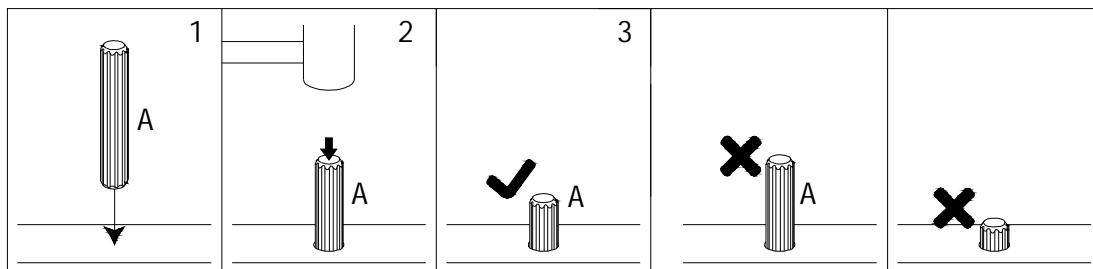


4. Rotate cam(s) clockwise 190°-230° to lock panels together



5. Panels should be tight against each other and connection should be rigid

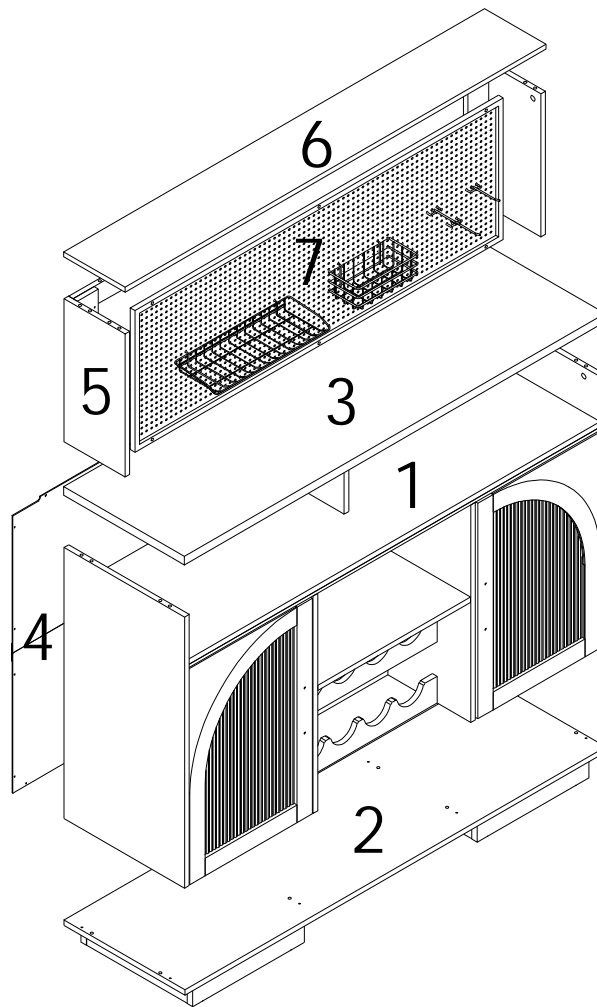
Insert the wood dowel (A) at least half way by tapping lightly with a rubber mallet, IF NECESSARY



⚠ WARNING

- Unit must be placed on a level surface or leveled with included hardware (when applicable).
- Do not sit or stand on or allow children to climb, sit or stand on the assembled product.
- For safety reasons, it is imperative that this unit be mounted to the wall.
- Do not use without installing the tip restraint.
- Unit can tip over causing severe injury or death.
- Do not exceed the recommended weight limits.
- Evenly distribute the weight on each level and always keep the heavier loads on the bottom.
- Before cutting, drilling or hammering into any wall or floor surface, verify the location of electrical, plumbing and gas lines. Cutting may cause serious injury.

Now you can assemble the item.



The installation process is divided into seven parts:

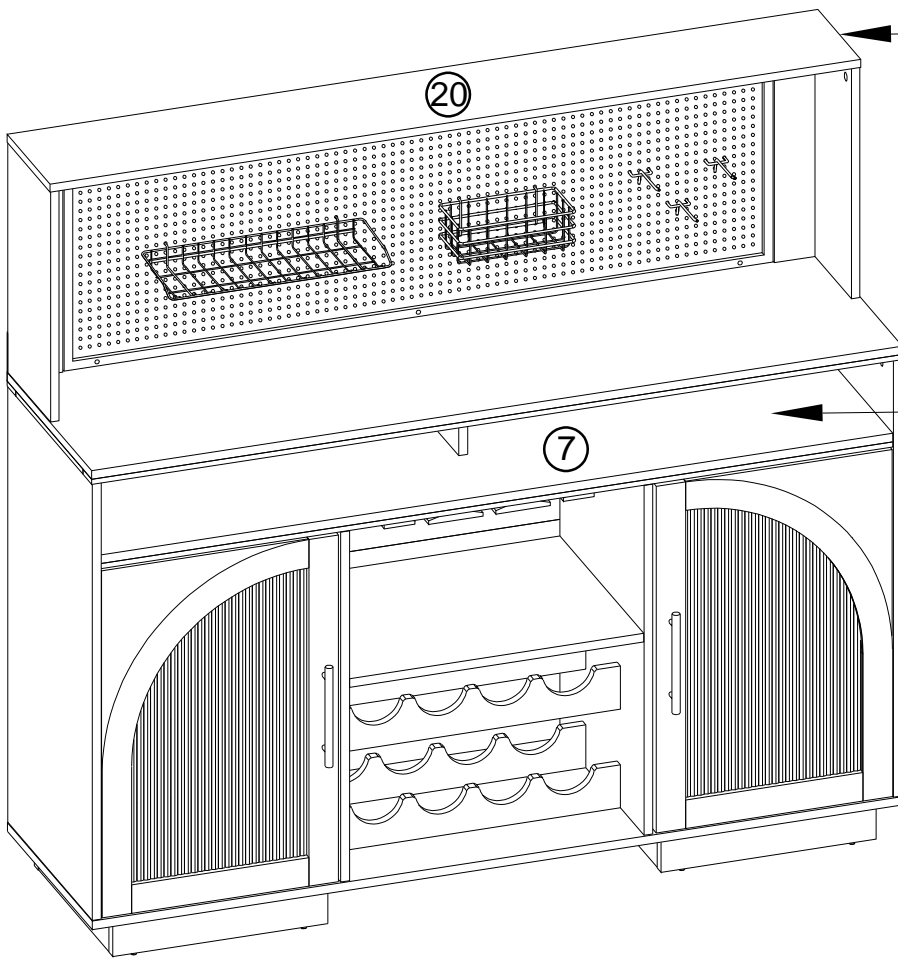
1. Install the lower cabinet body
2. Install the lower cabinet base part
3. Install the lower cabinet top part
4. Install the lower cabinet back panel
5. Install the upper cabinet body
6. Install the upper cabinet top panel
7. Install the upper cabinet Iron frame of the hole part

Tip:

Using an electric screwdriver will make assembly easier.

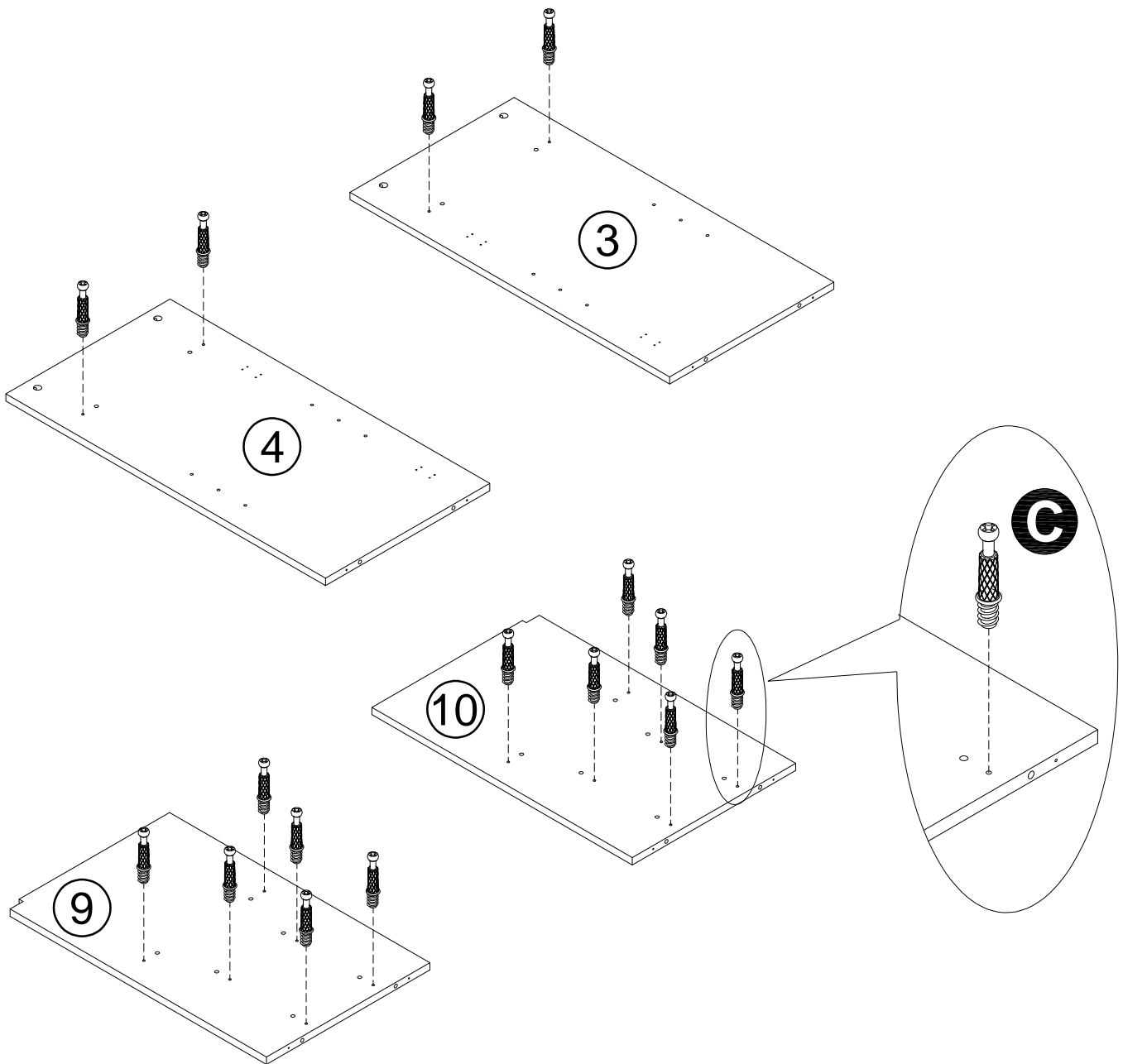
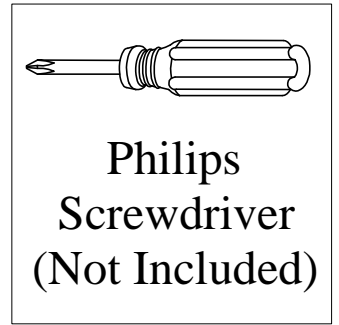
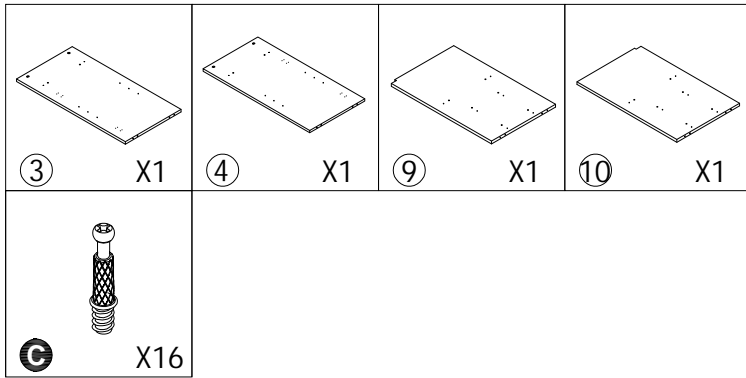
STEP 1

Option 1 assemble the light strips under the upper cabinet top panel

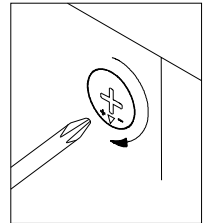
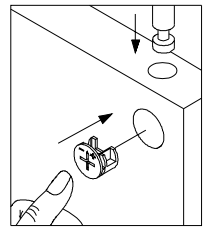
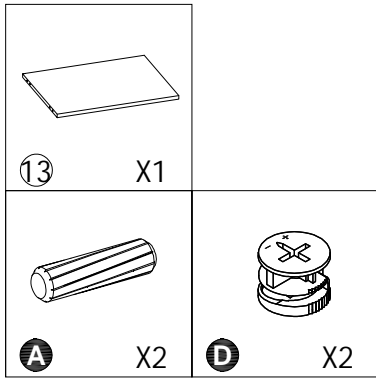


Option 2 assemble the light strips under the lower cabinet big panel

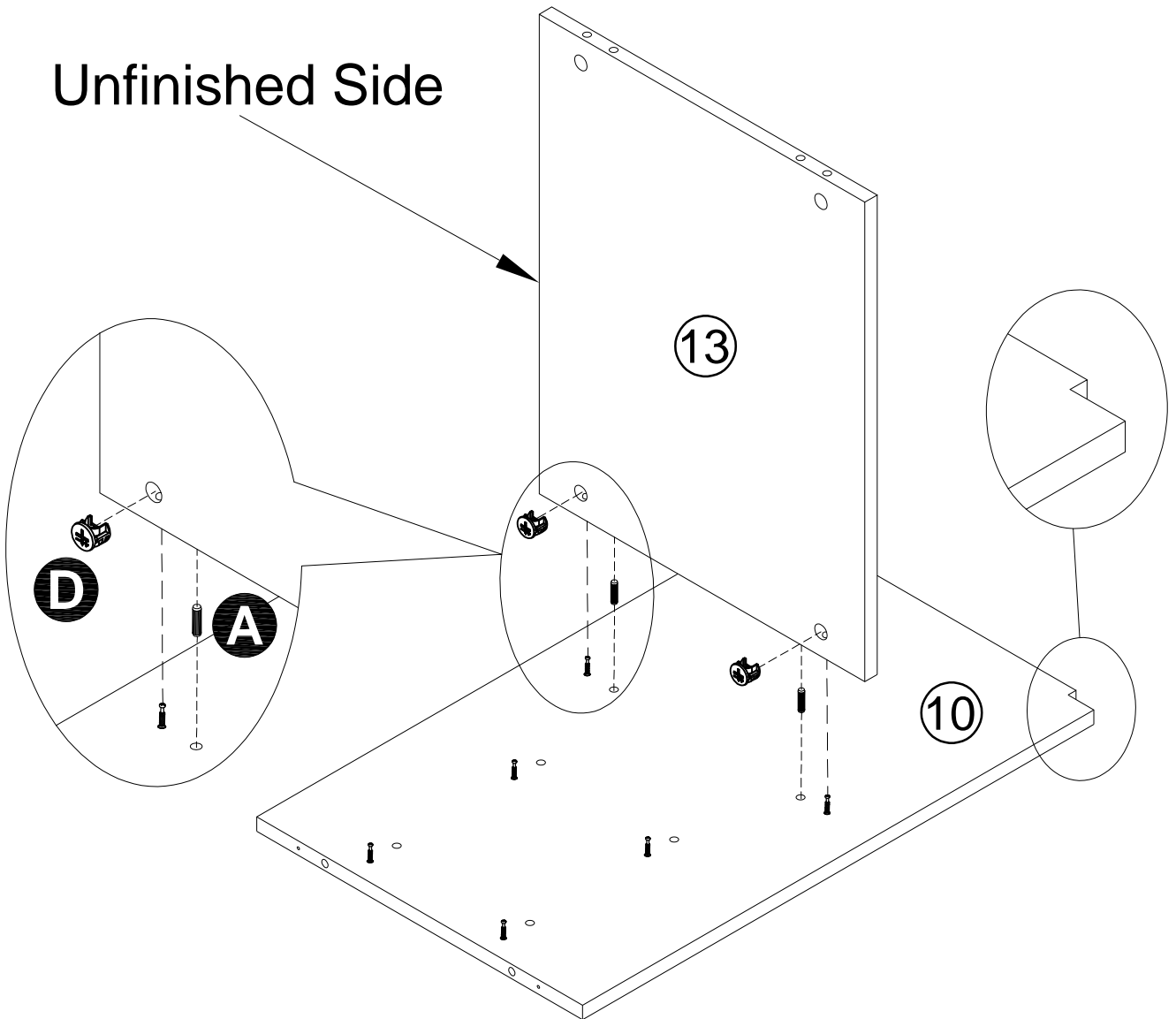
STEP 2



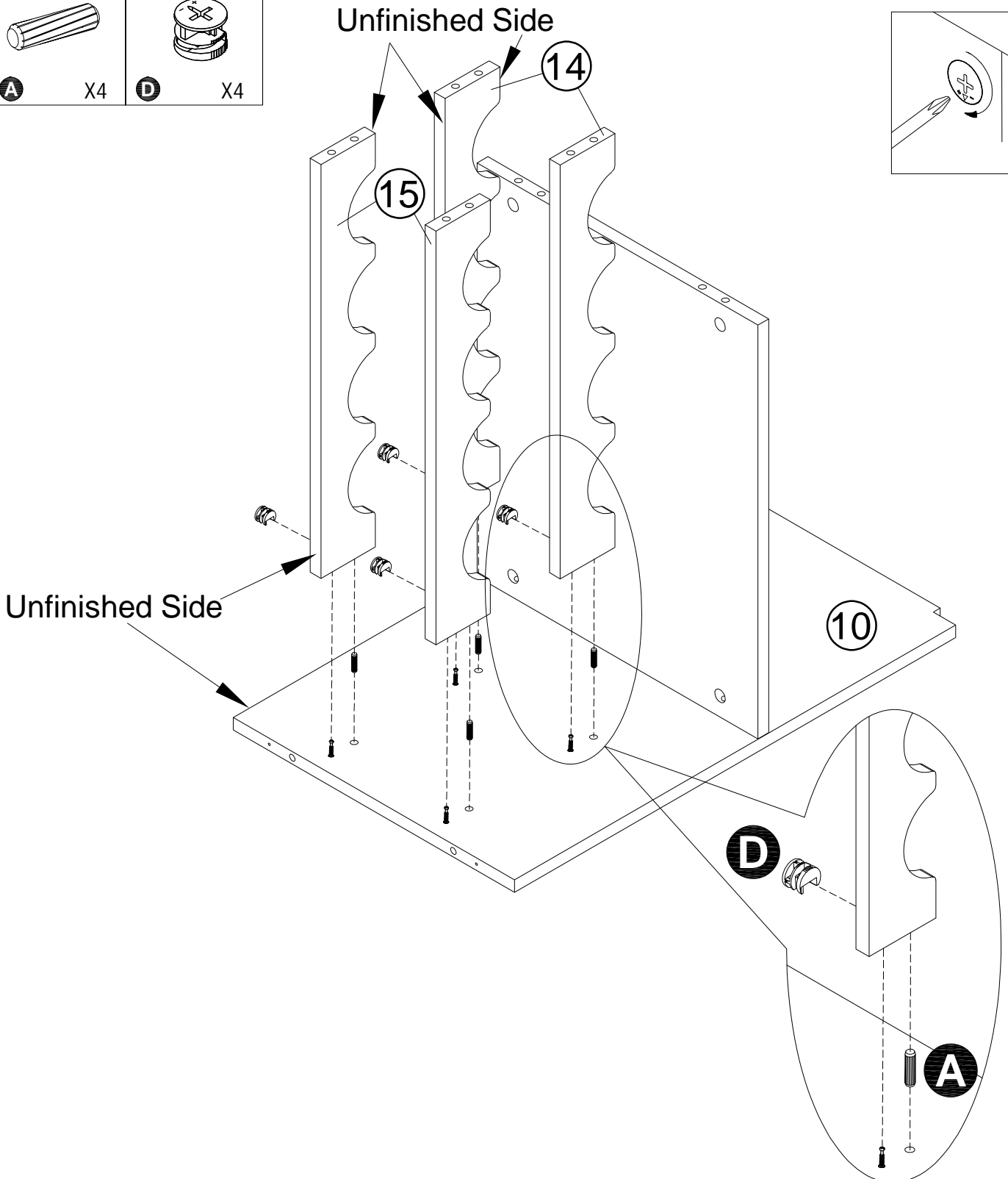
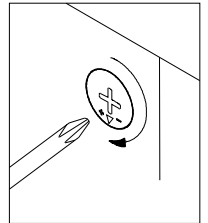
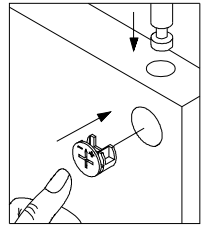
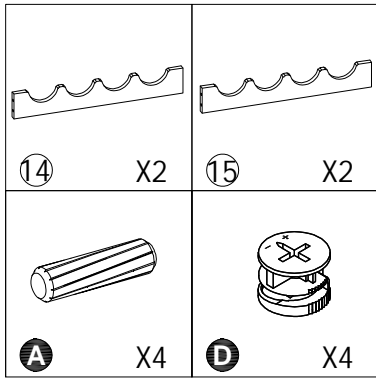
STEP 3



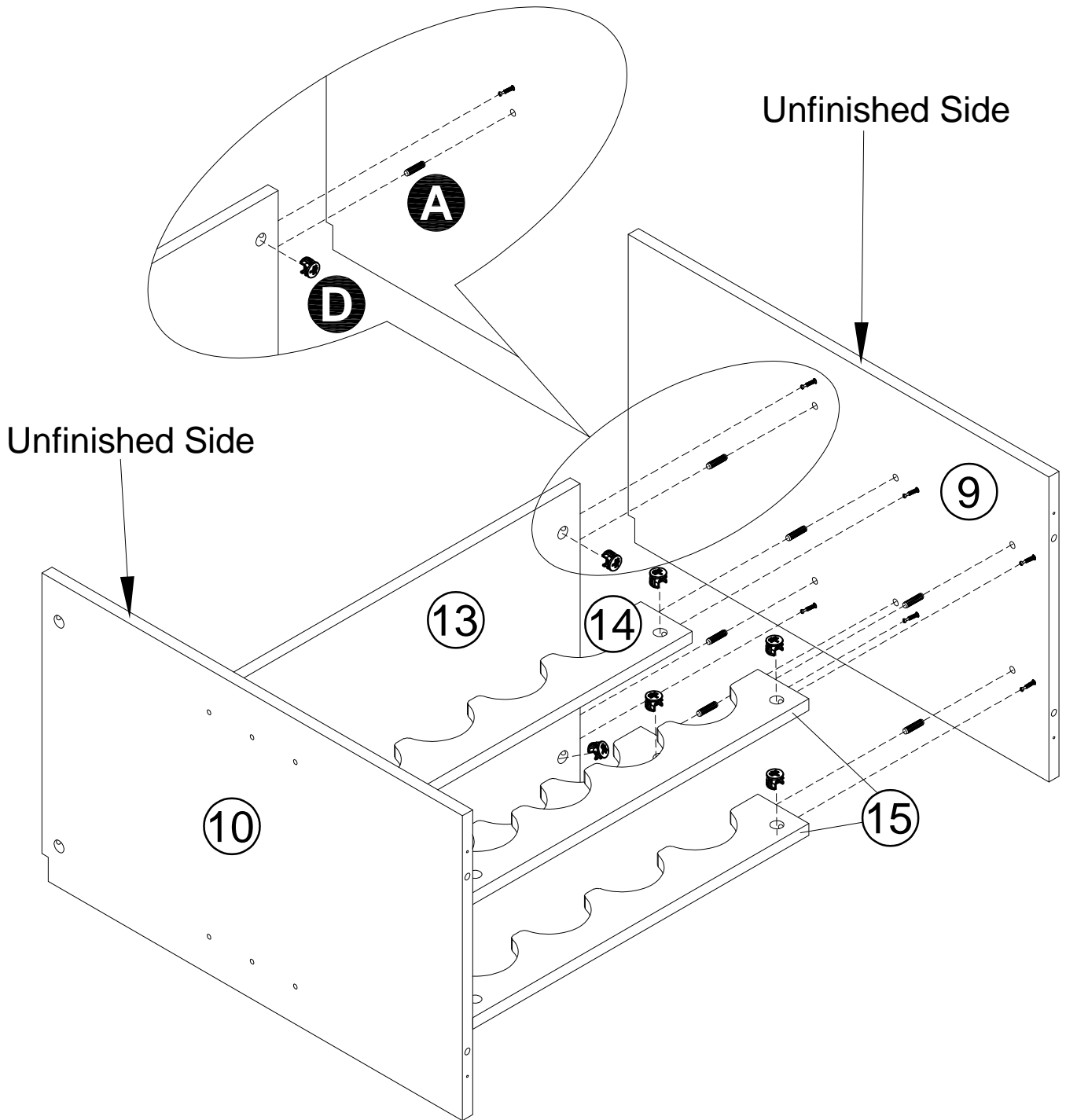
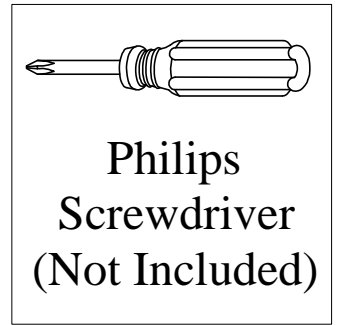
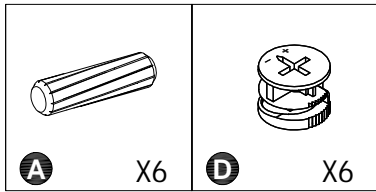
Unfinished Side



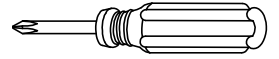
STEP 4



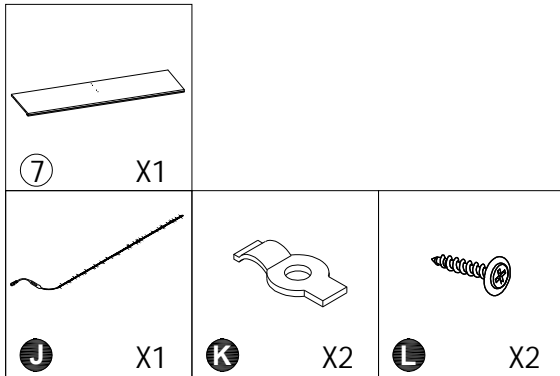
STEP 5



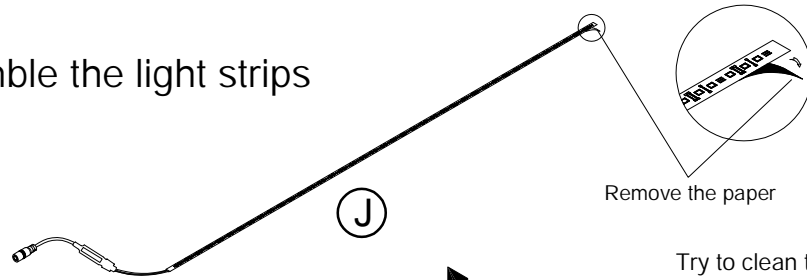
STEP 6



Philips
Screwdriver
(Not Included)

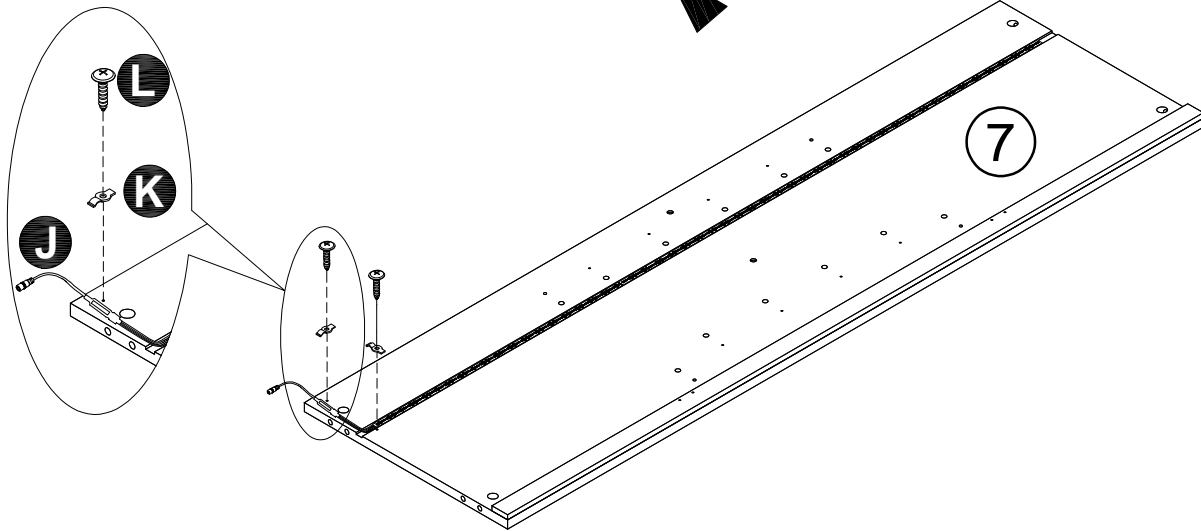


Option 1 assemble the light strips

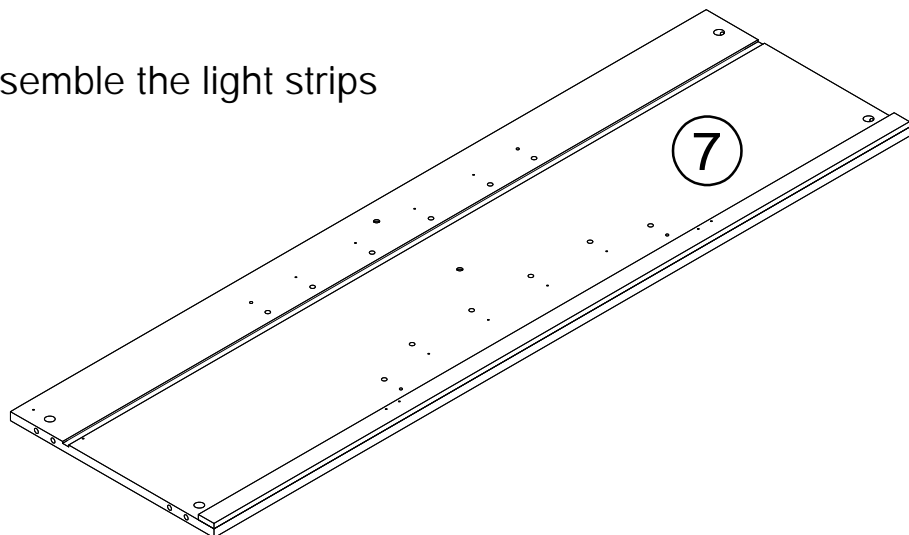


Remove the paper

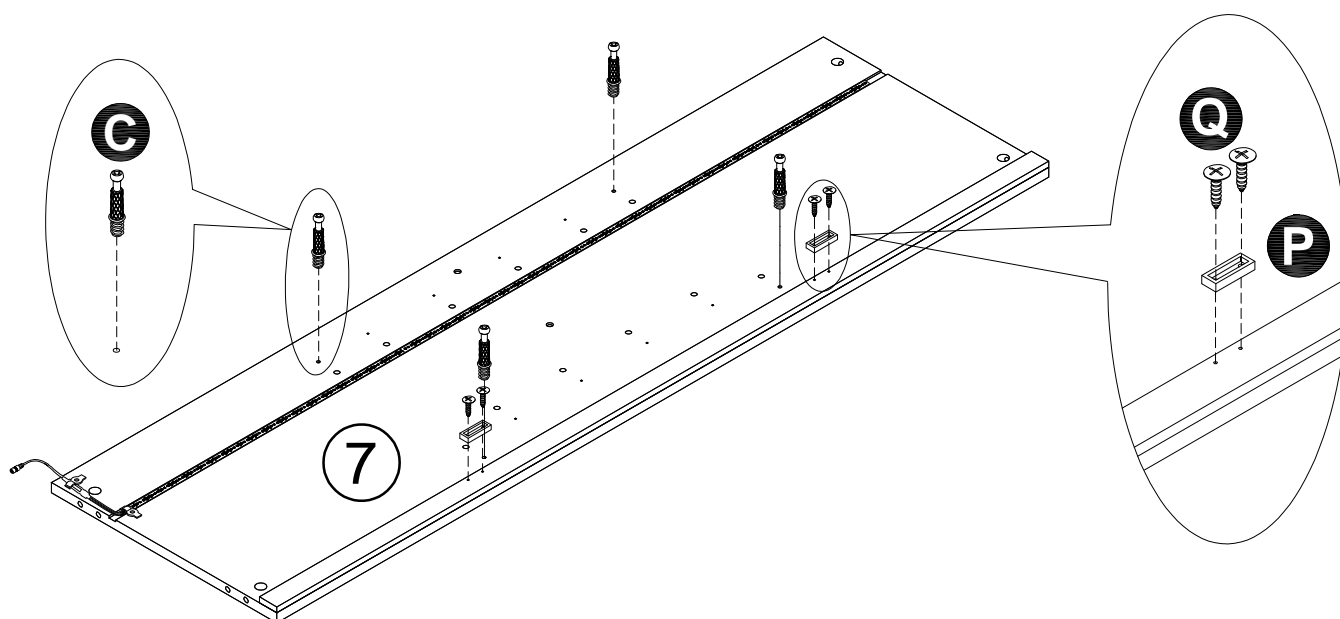
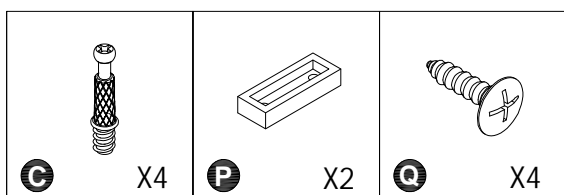
Try to clean the dust on the surface of the top panel and then paste the lamp strip



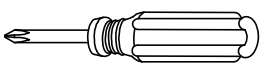
Option 2 do not assemble the light strips

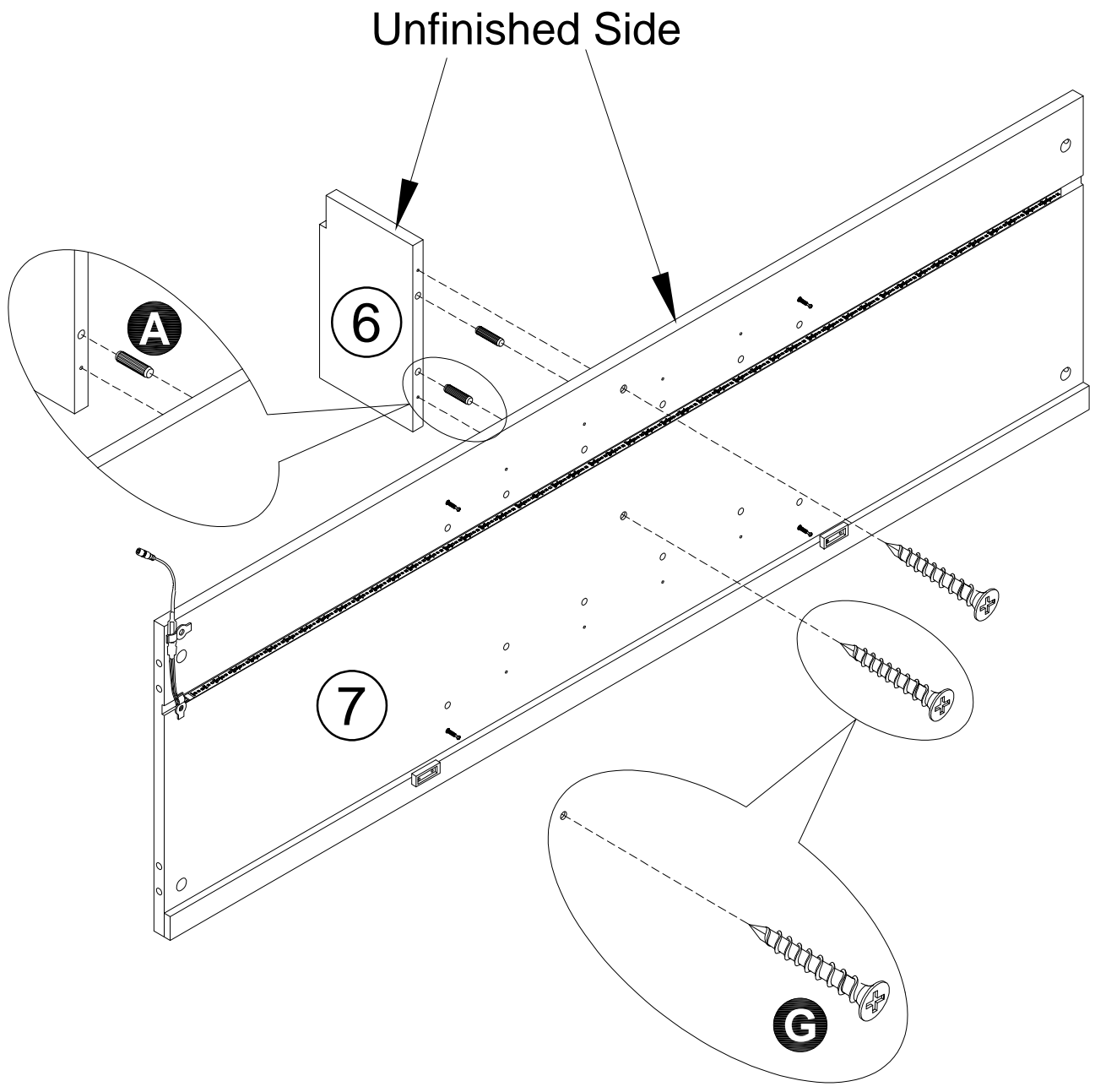
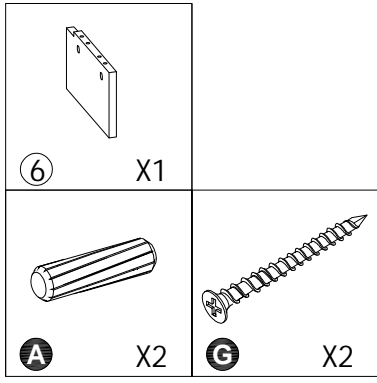


STEP 7

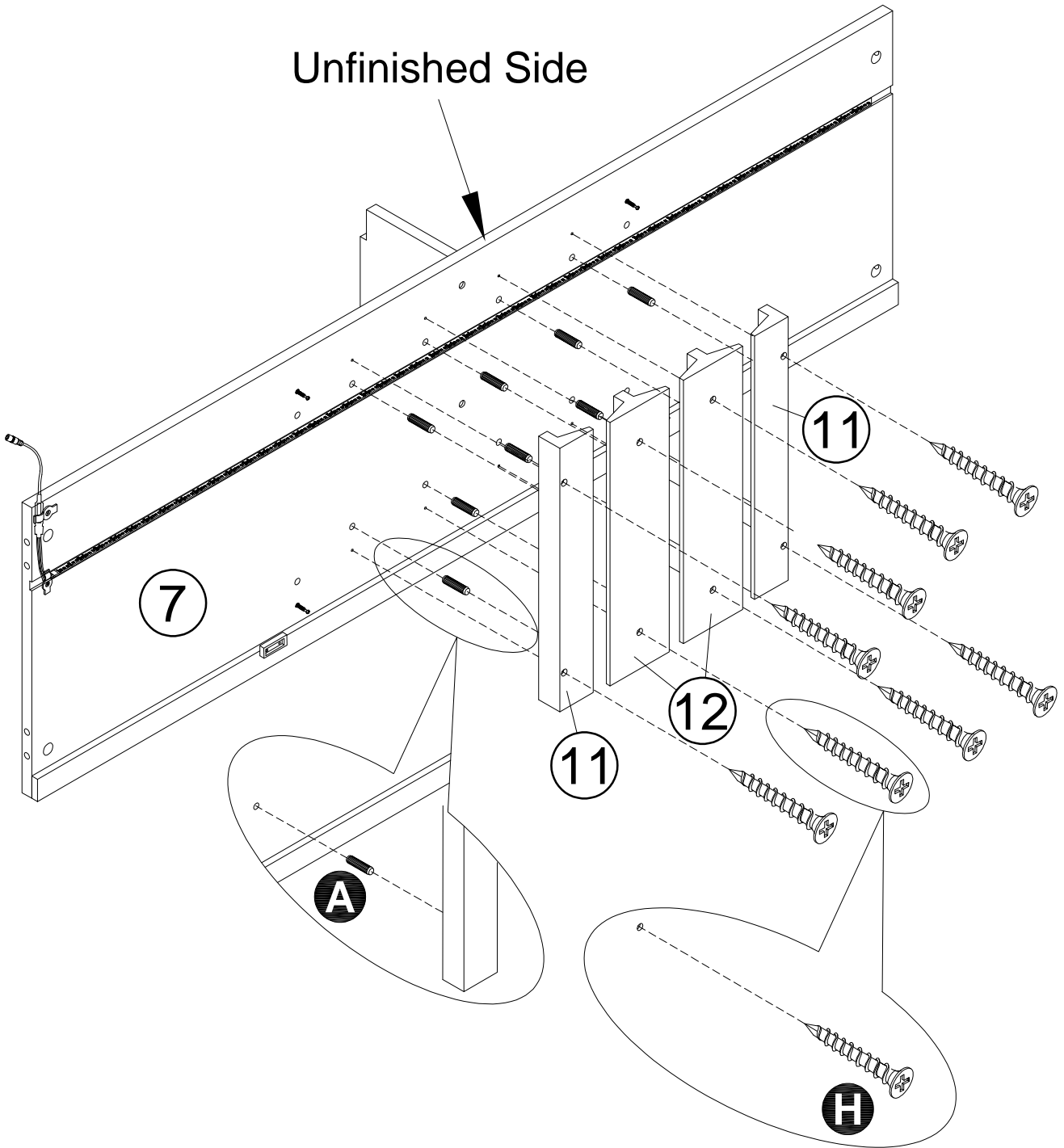
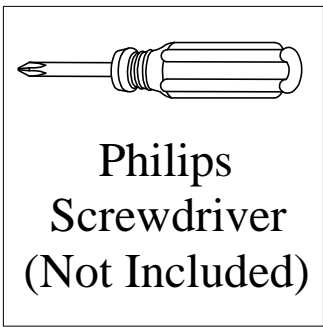
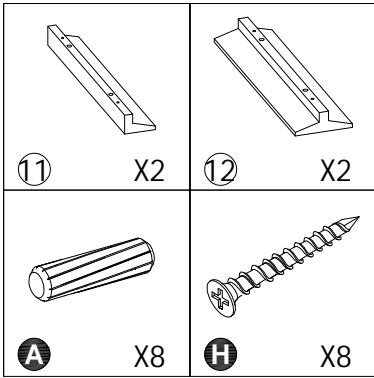


STEP 8

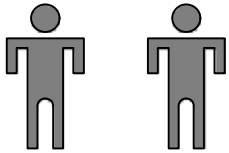
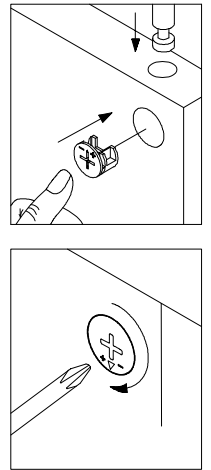
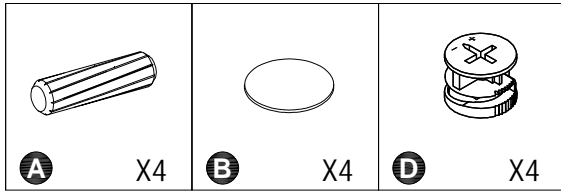

Philips
Screwdriver
(Not Included)



STEP 9



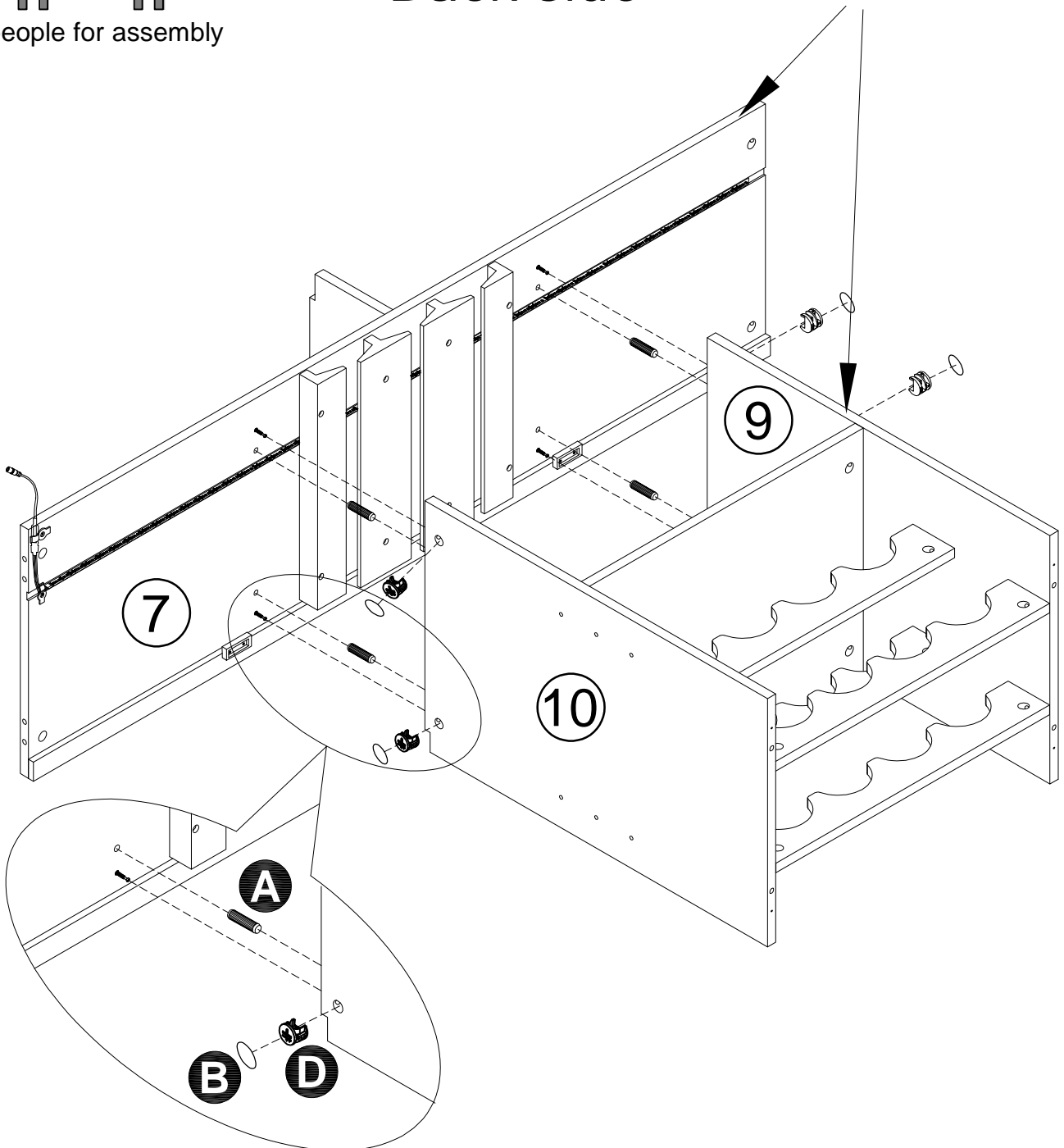
STEP 10



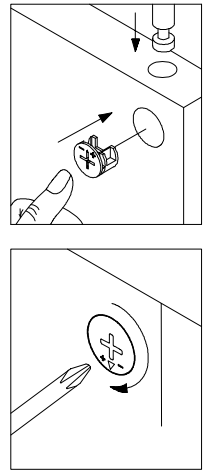
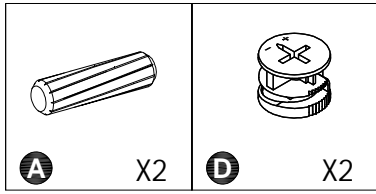
2 people for assembly

Back side

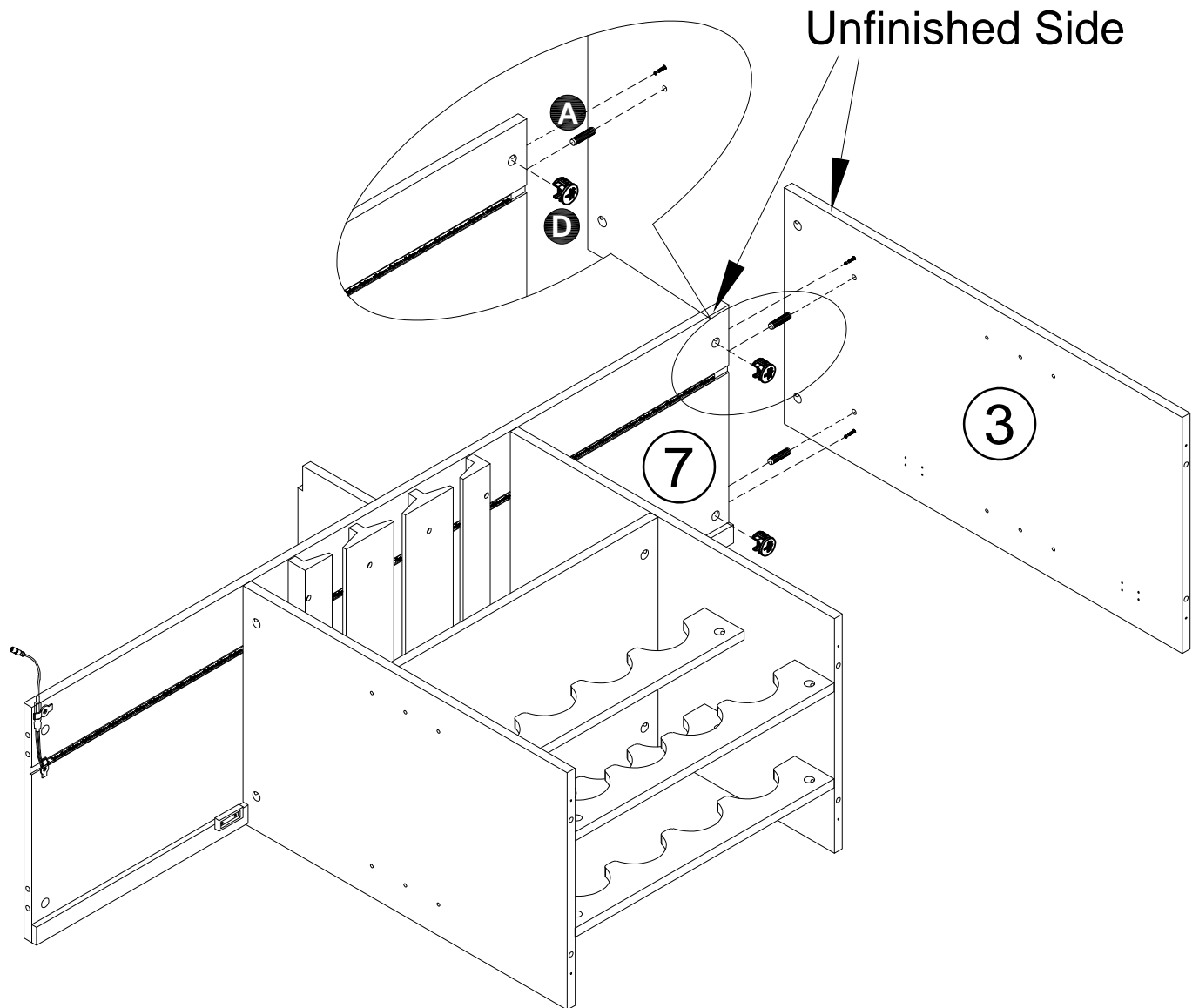
Unfinished Side



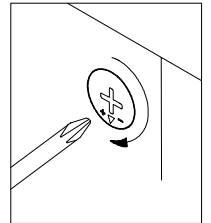
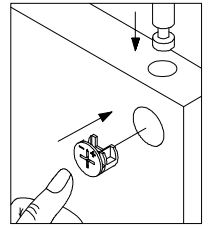
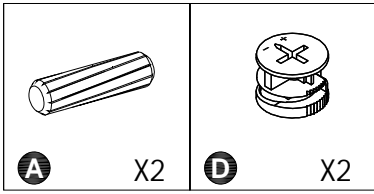
STEP 11



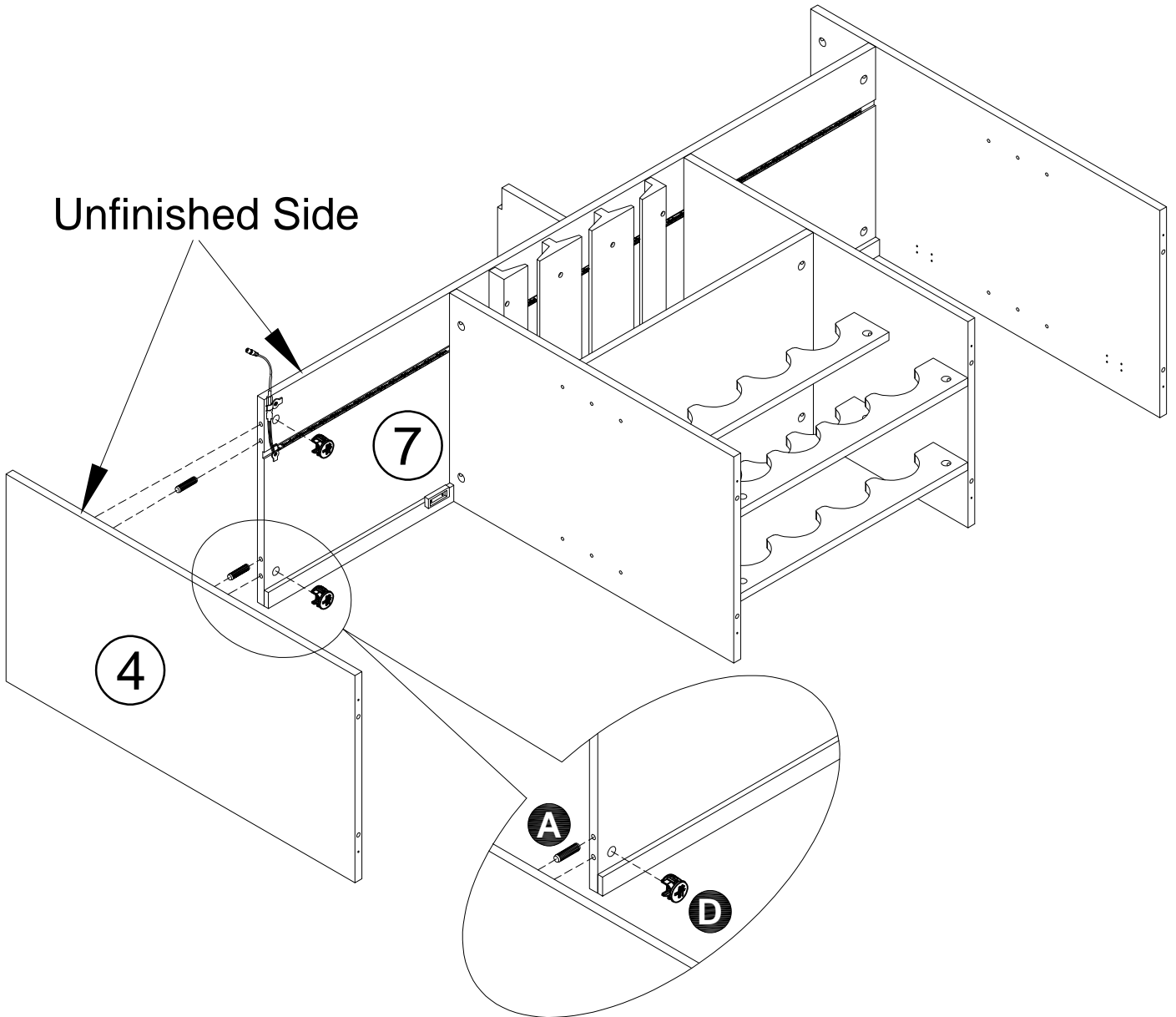
Back side







STEP 12

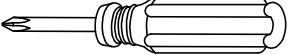


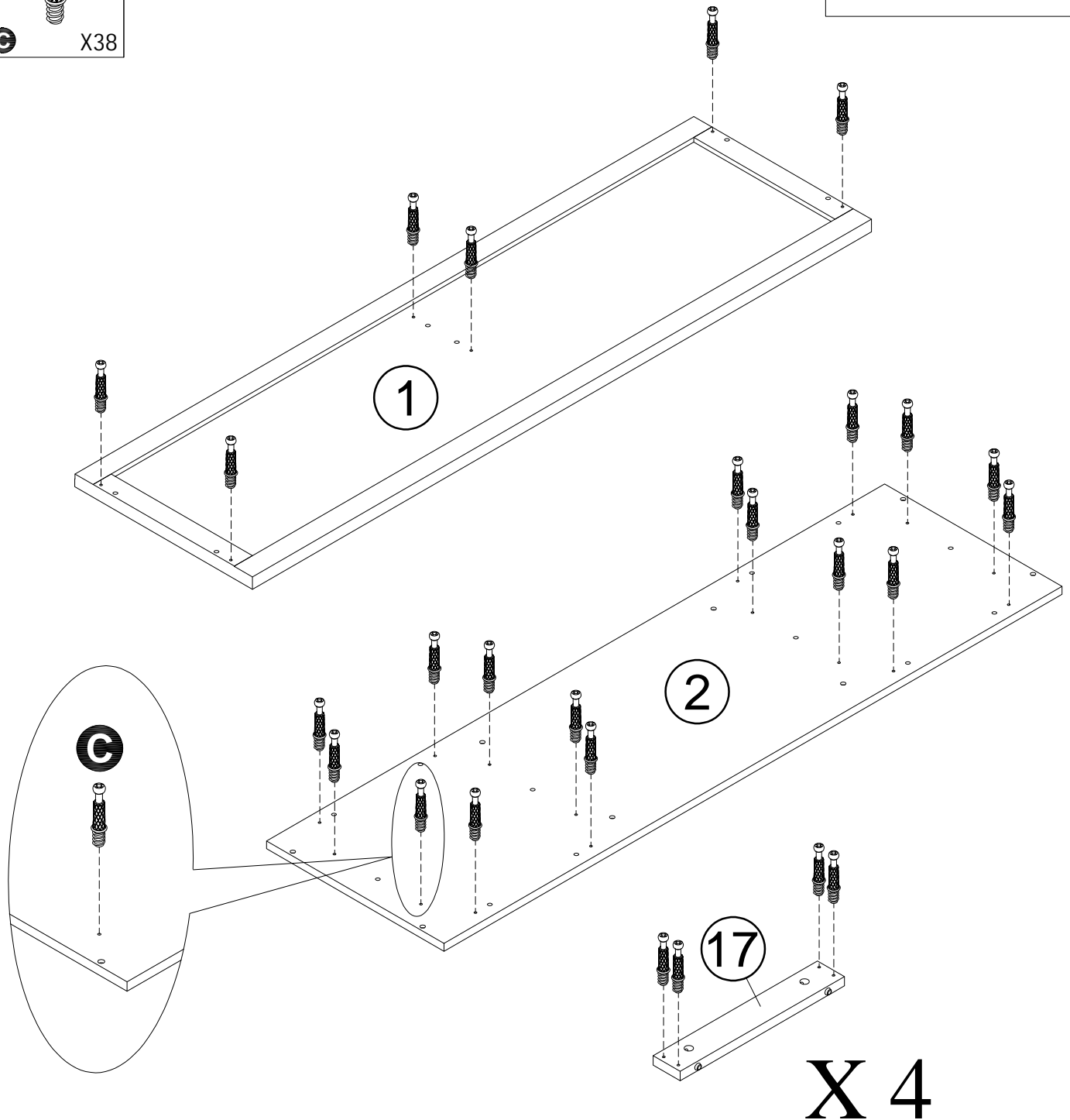
Back side



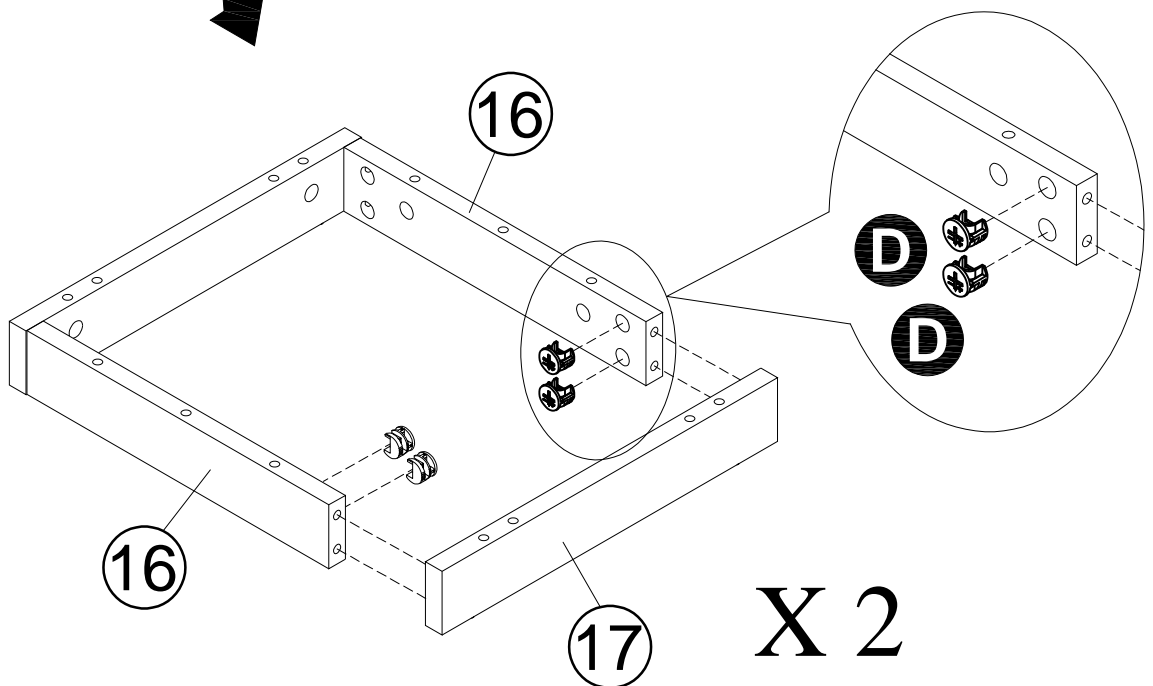
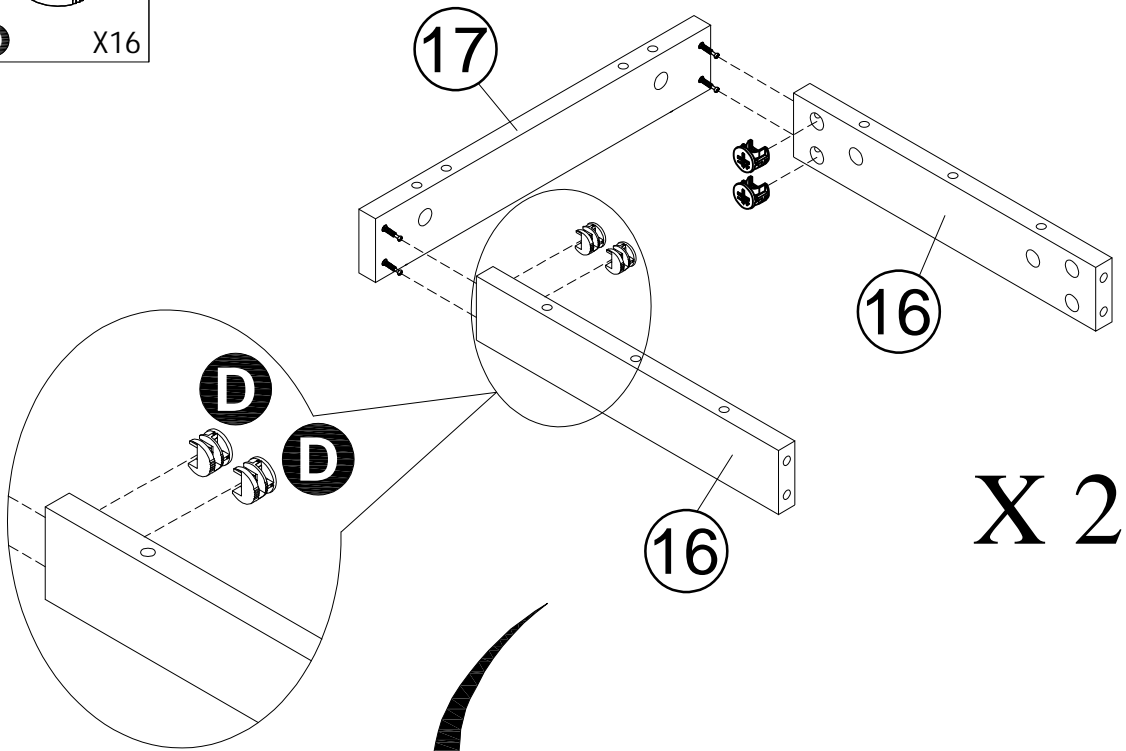
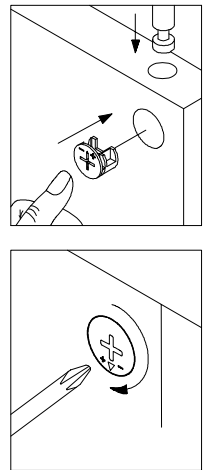
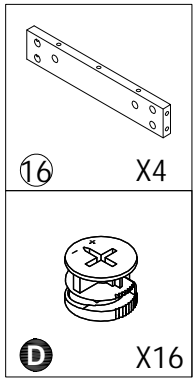
STEP 13

 ① X1	 ② X1	 ⑰ X4
 C X38		

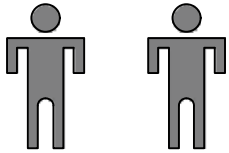
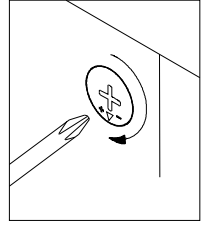
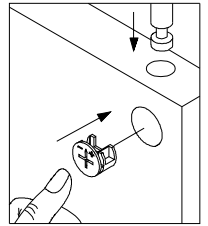
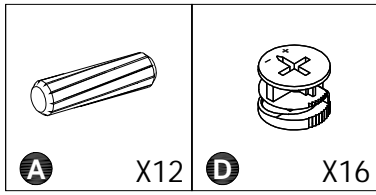

Philips
Screwdriver
(Not Included)



STEP 14

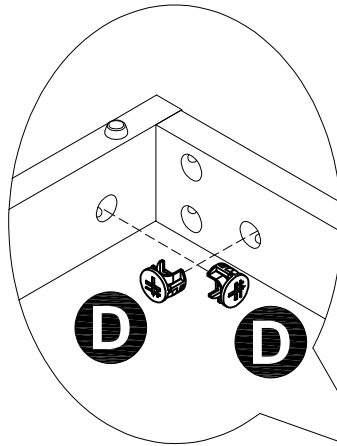


STEP 15

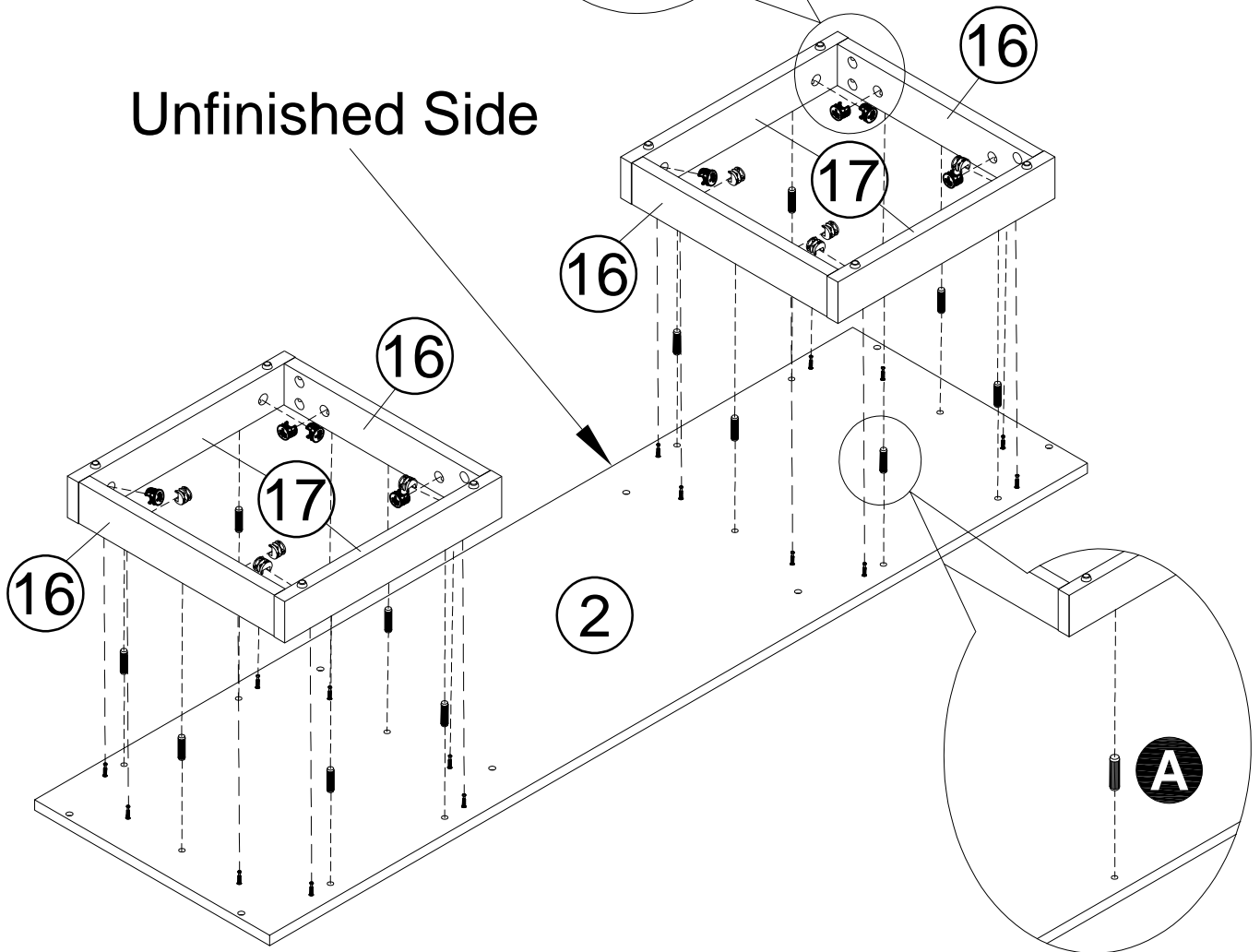


2 people for assembly

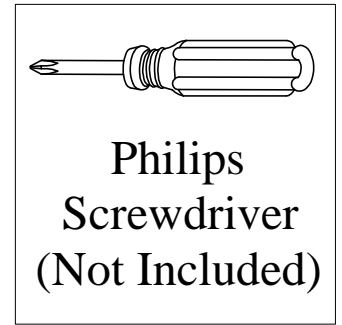
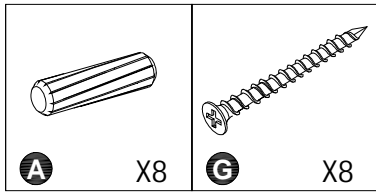
Back side



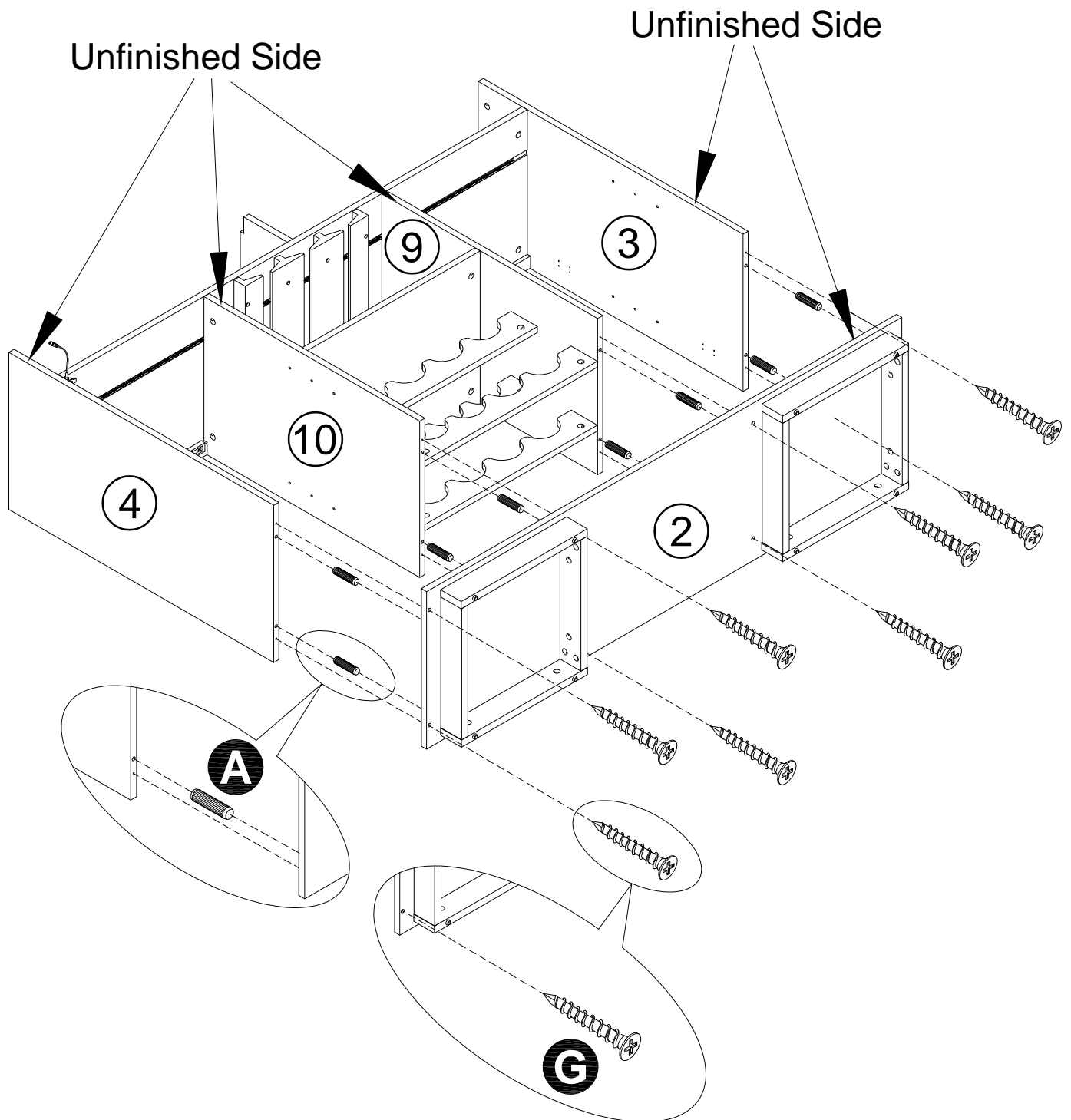
Unfinished Side



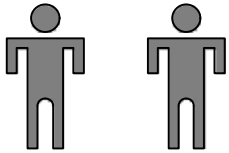
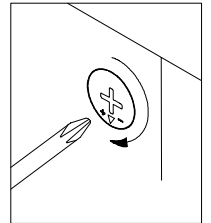
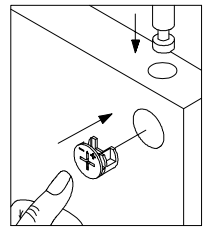
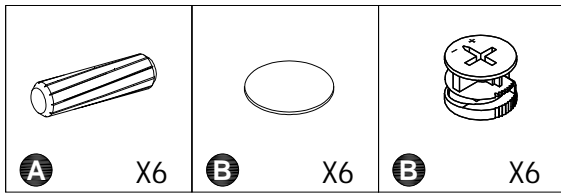
STEP 16



Back side



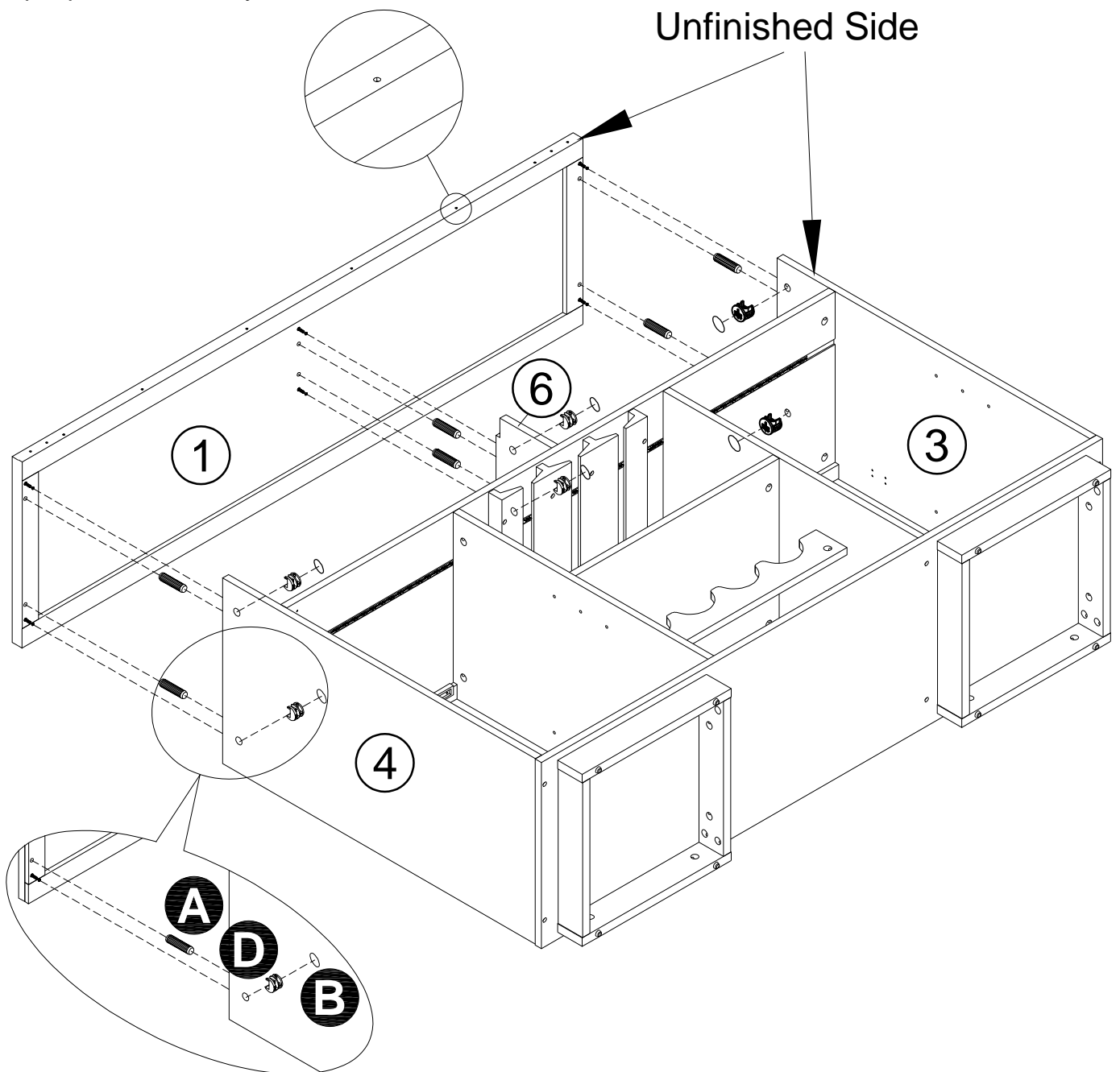
STEP 17



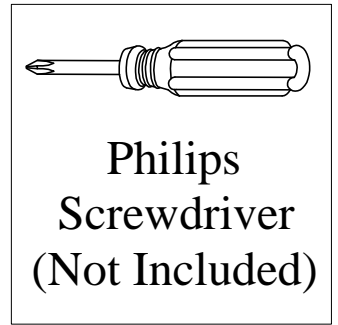
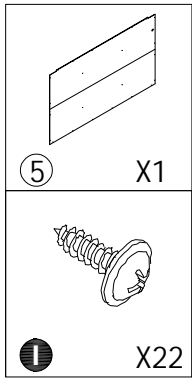
2 people for assembly

Back side

Unfinished Side

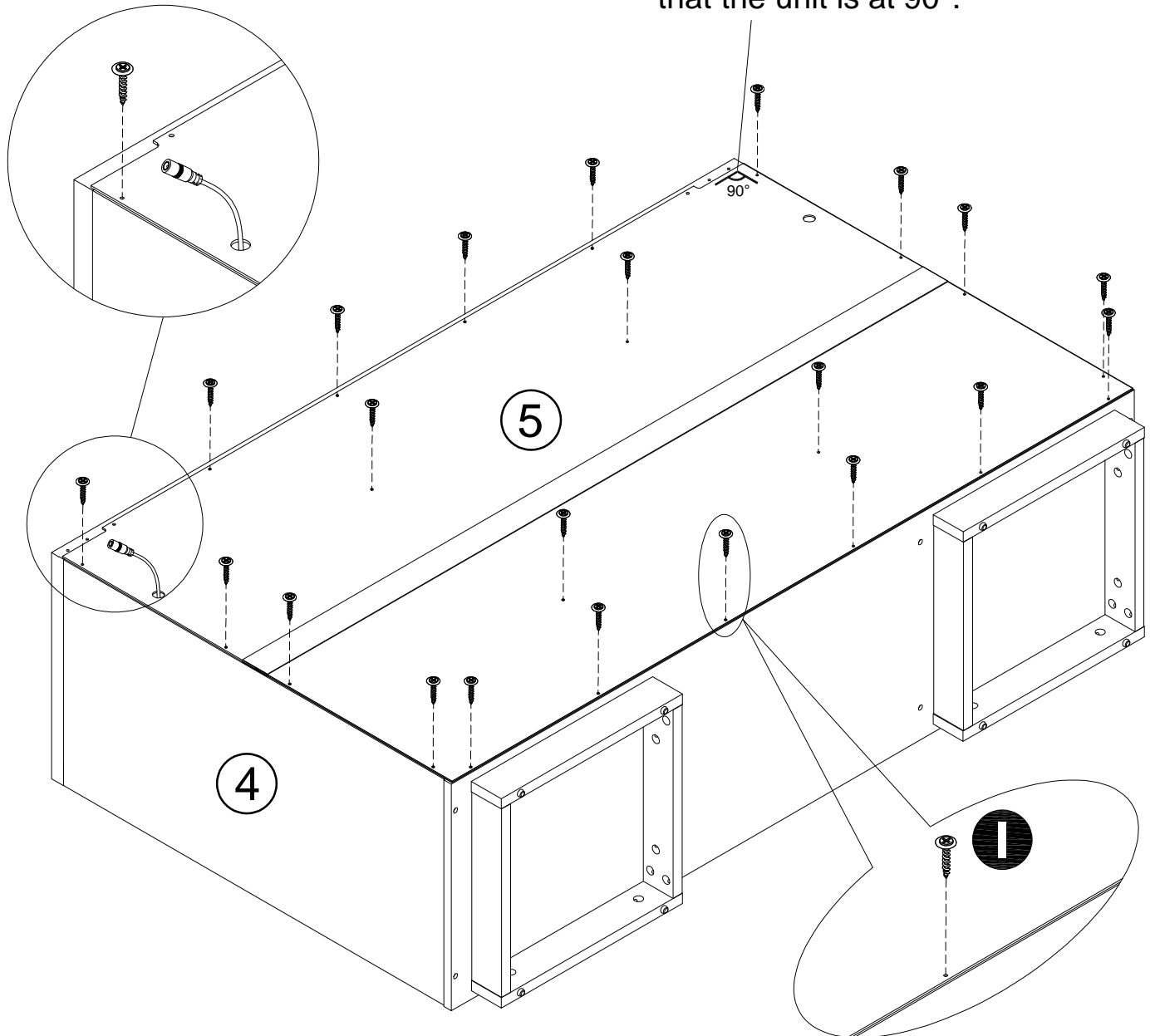


STEP 18

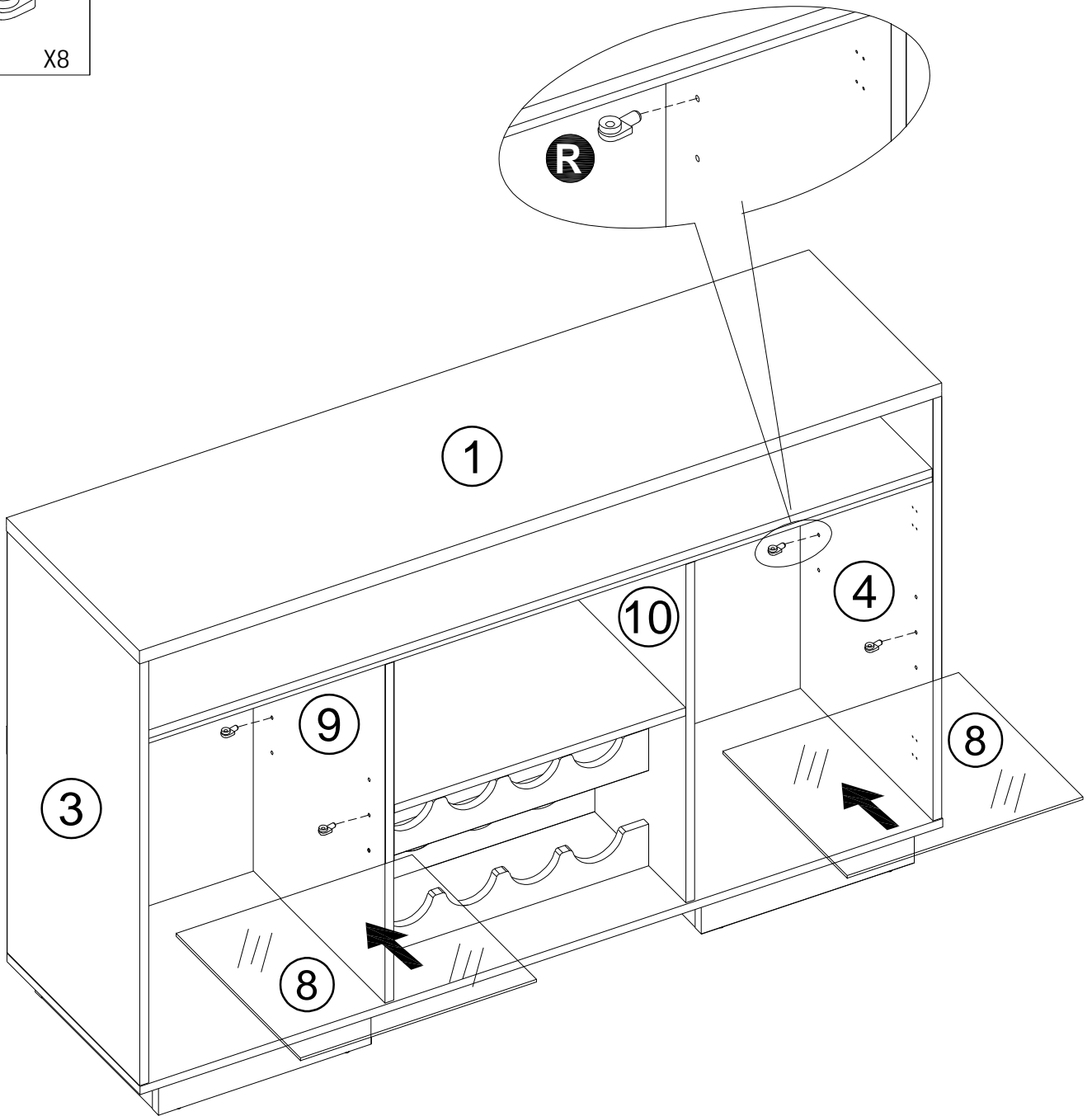
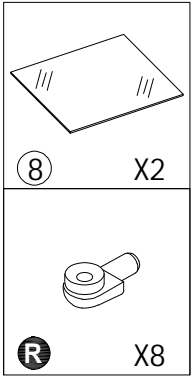


Back side

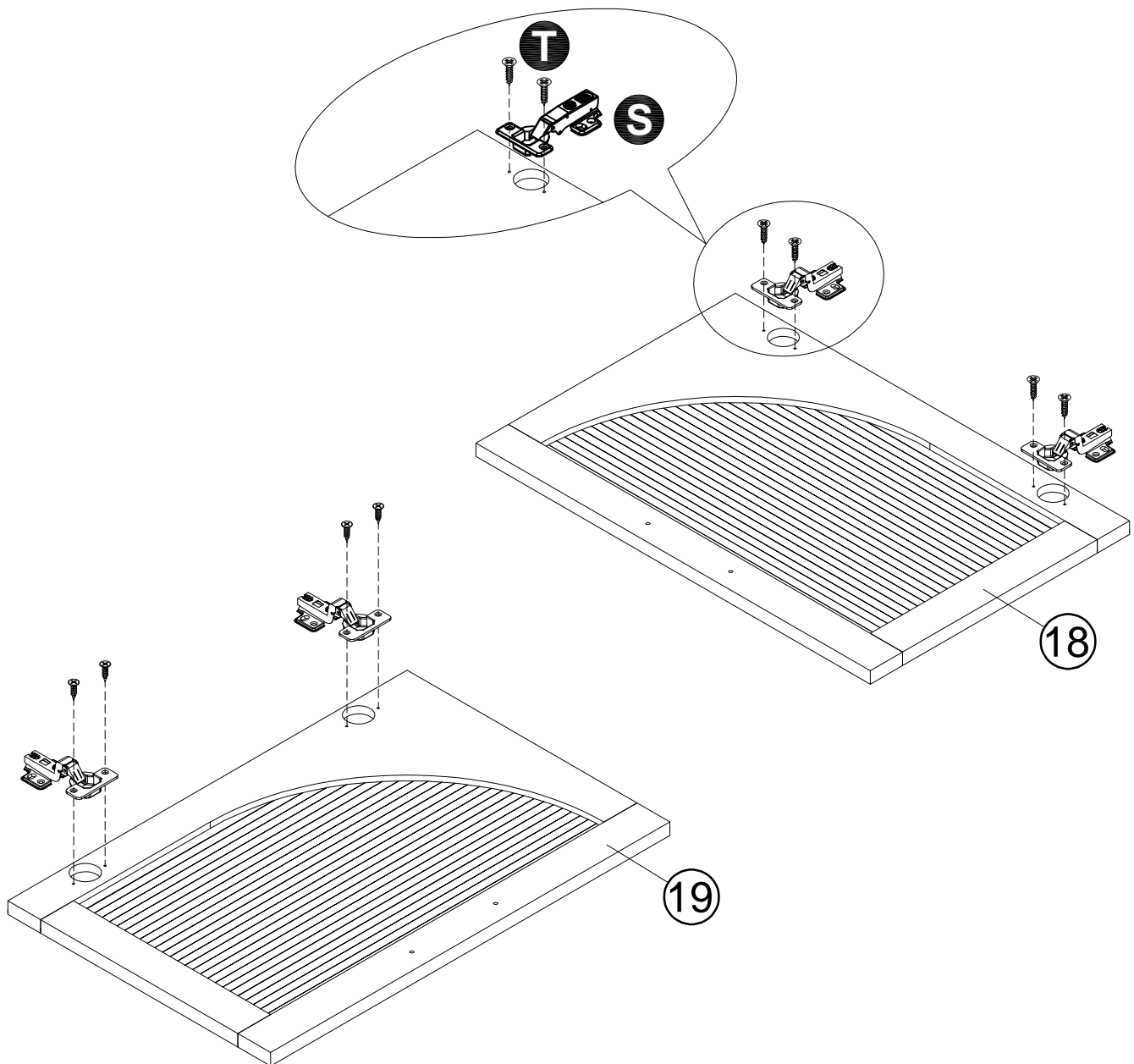
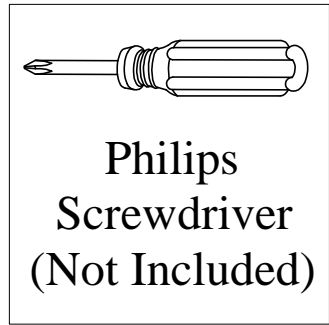
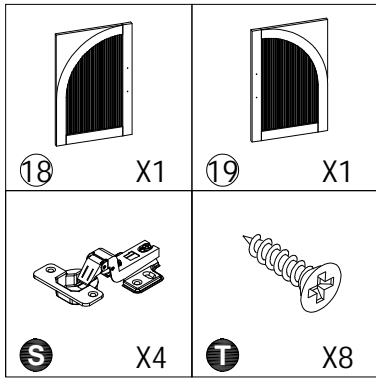
Before attaching the back panel be sure that the unit is at 90°.



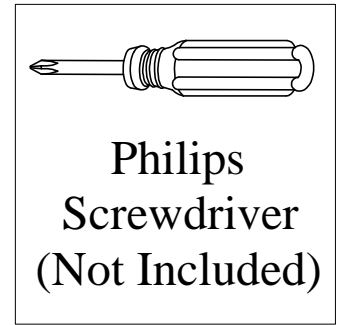
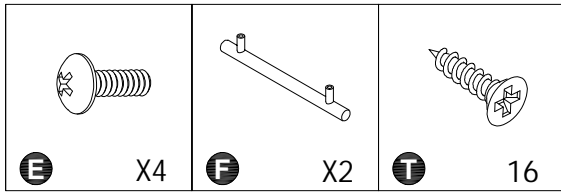
STEP 19



STEP 20



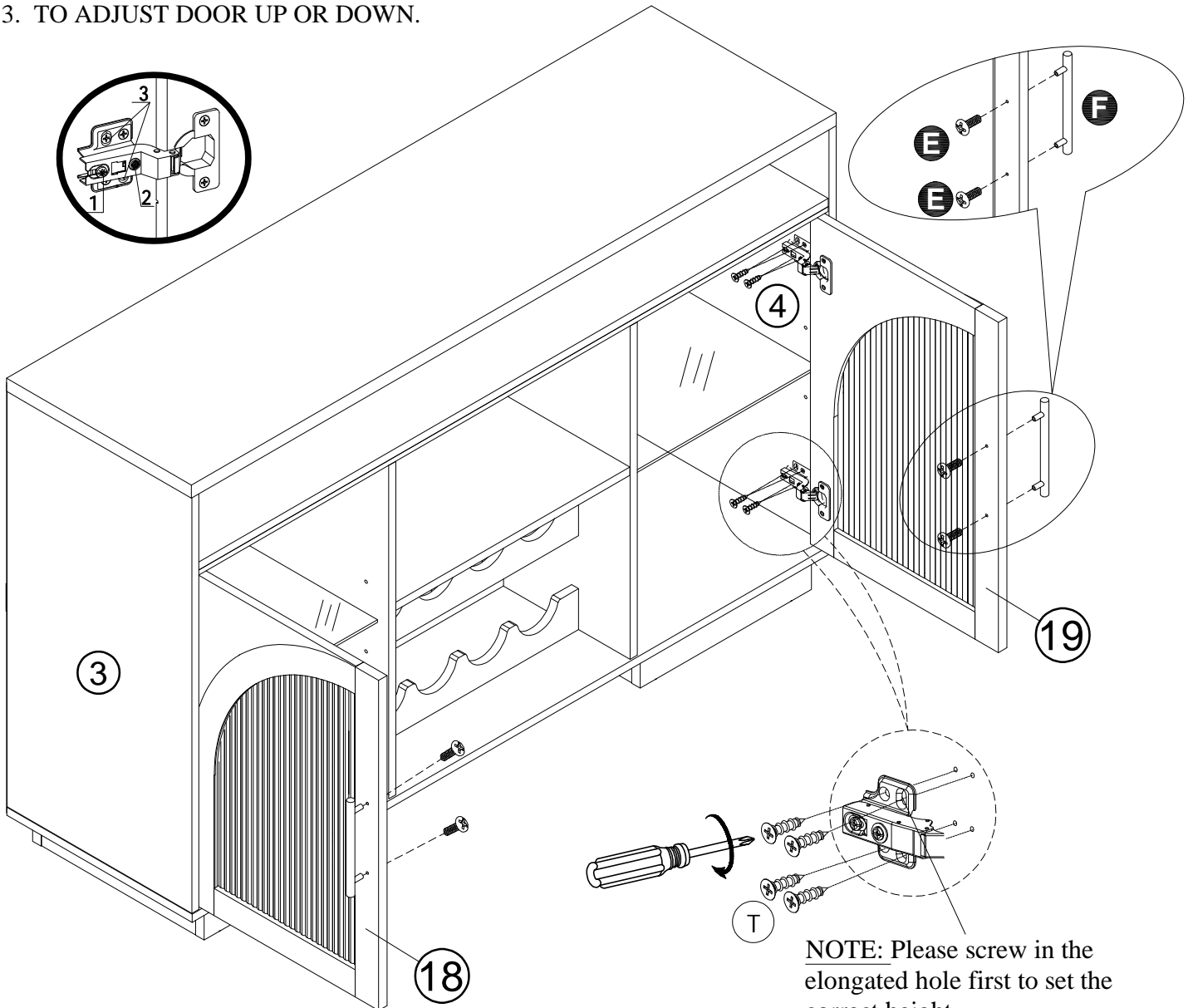
STEP 21



How to adjust the European adjustable hinges on doors

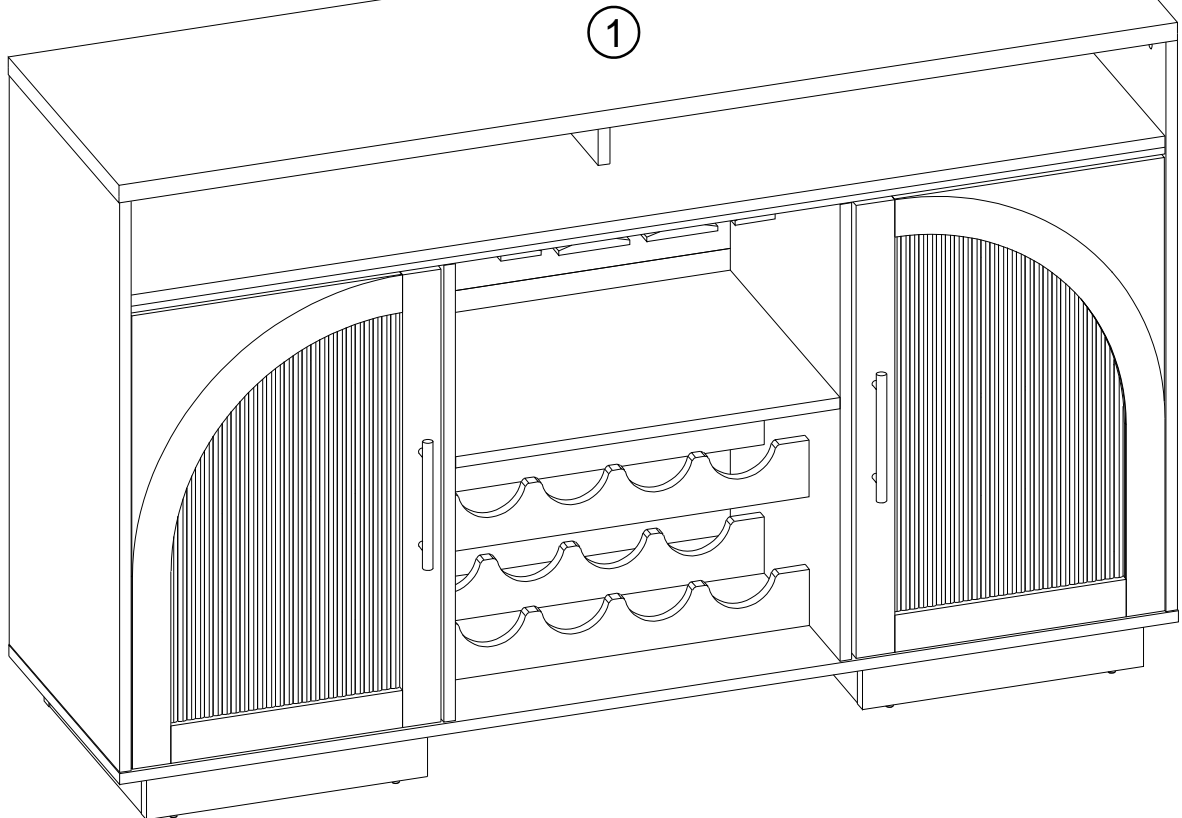
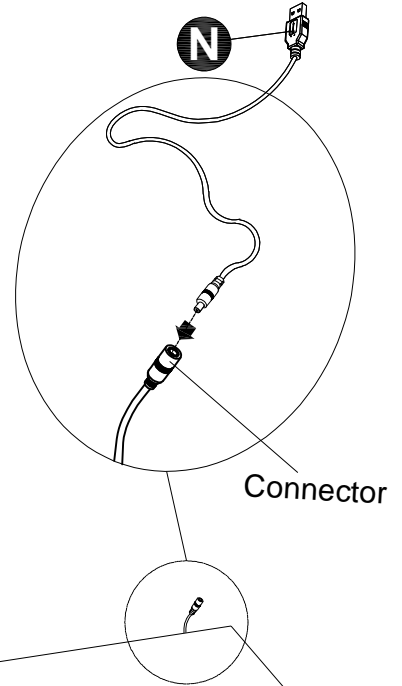
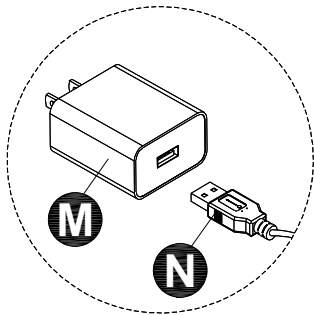
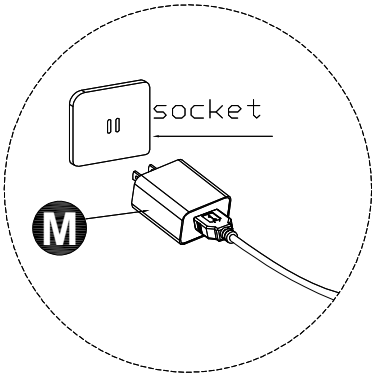
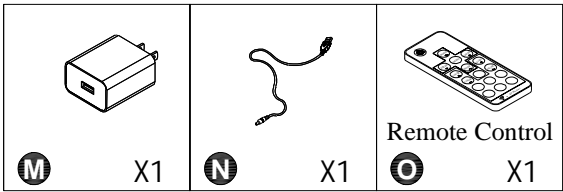
Shipping may cause doors to go out of alignment. If you find that the doors need to be adjusted slightly, turn the appropriate screw as illustrated.

1. TO ADJUST DOOR FORWARD OR BACKWARD.
2. TO ADJUST DOOR TO RIGHT OR TO LEFT.
3. TO ADJUST DOOR UP OR DOWN.

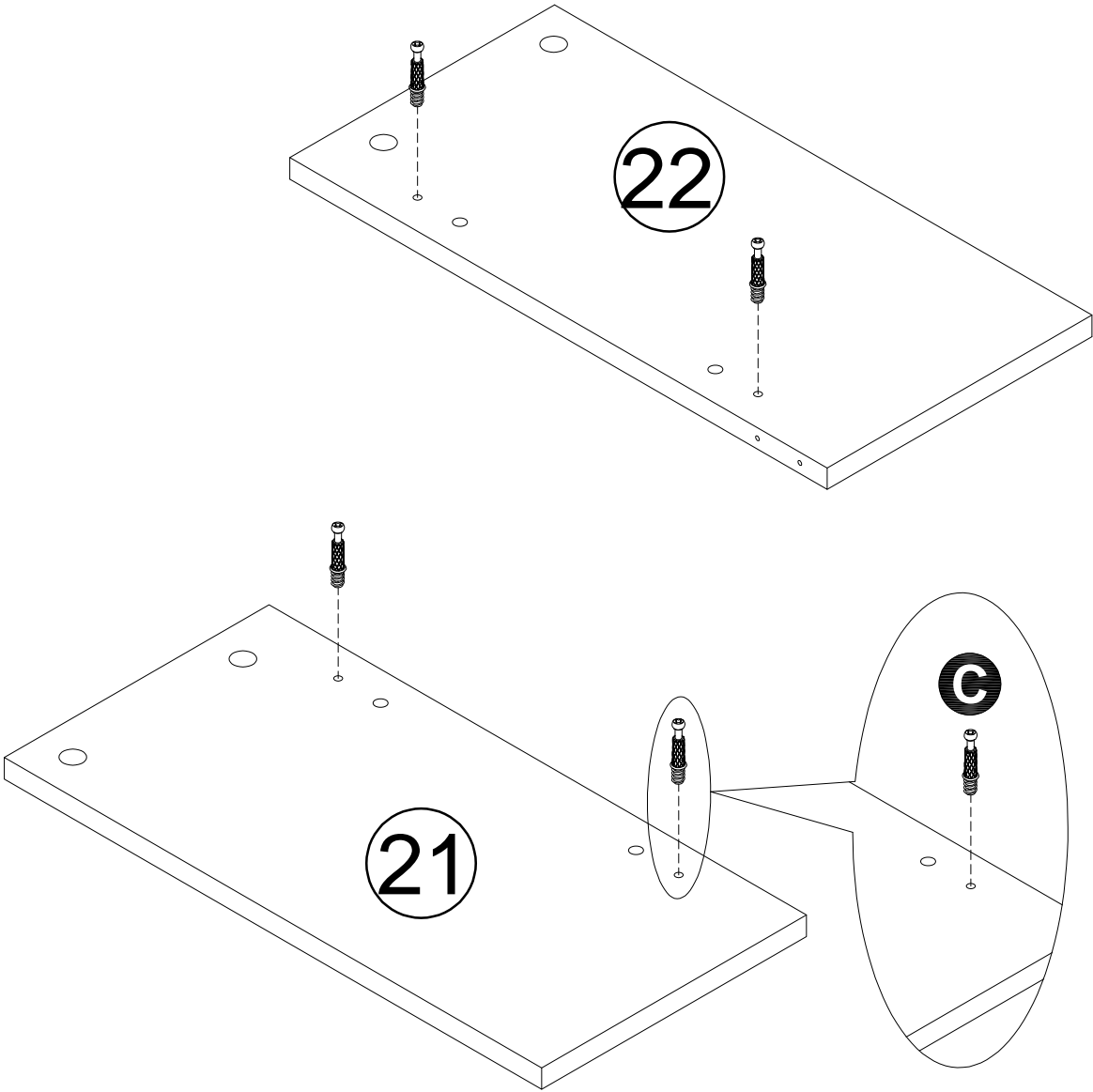
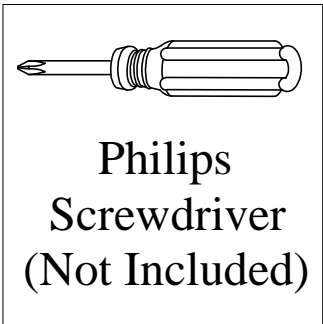
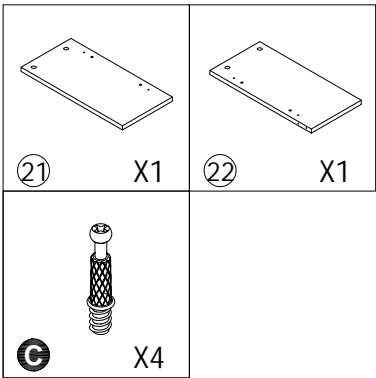


NOTE: Please screw in the elongated hole first to set the correct height.

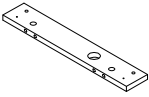
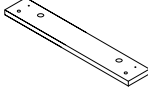
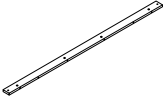
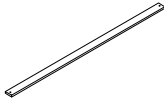

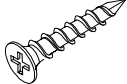
STEP 22

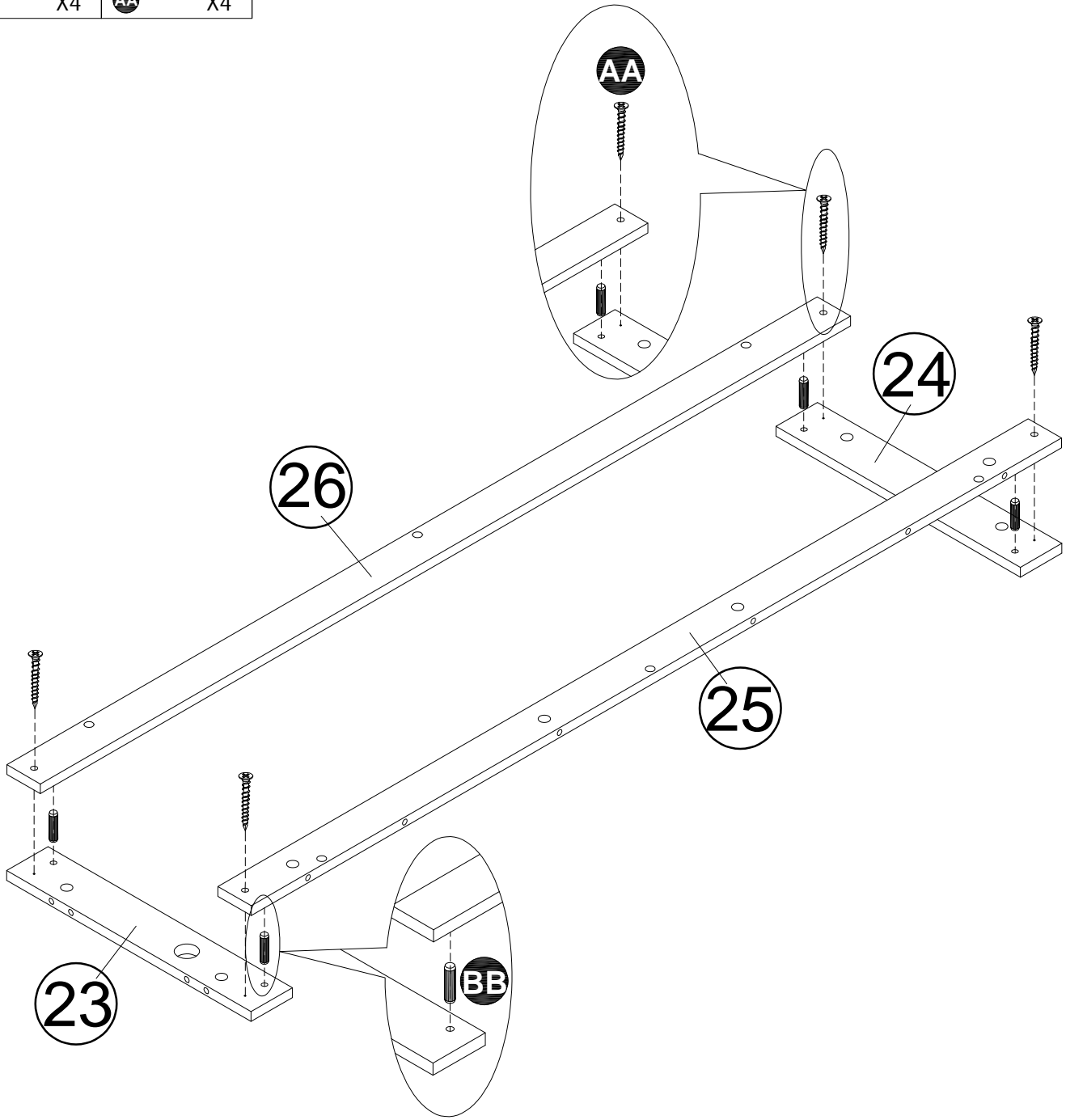


STEP 23

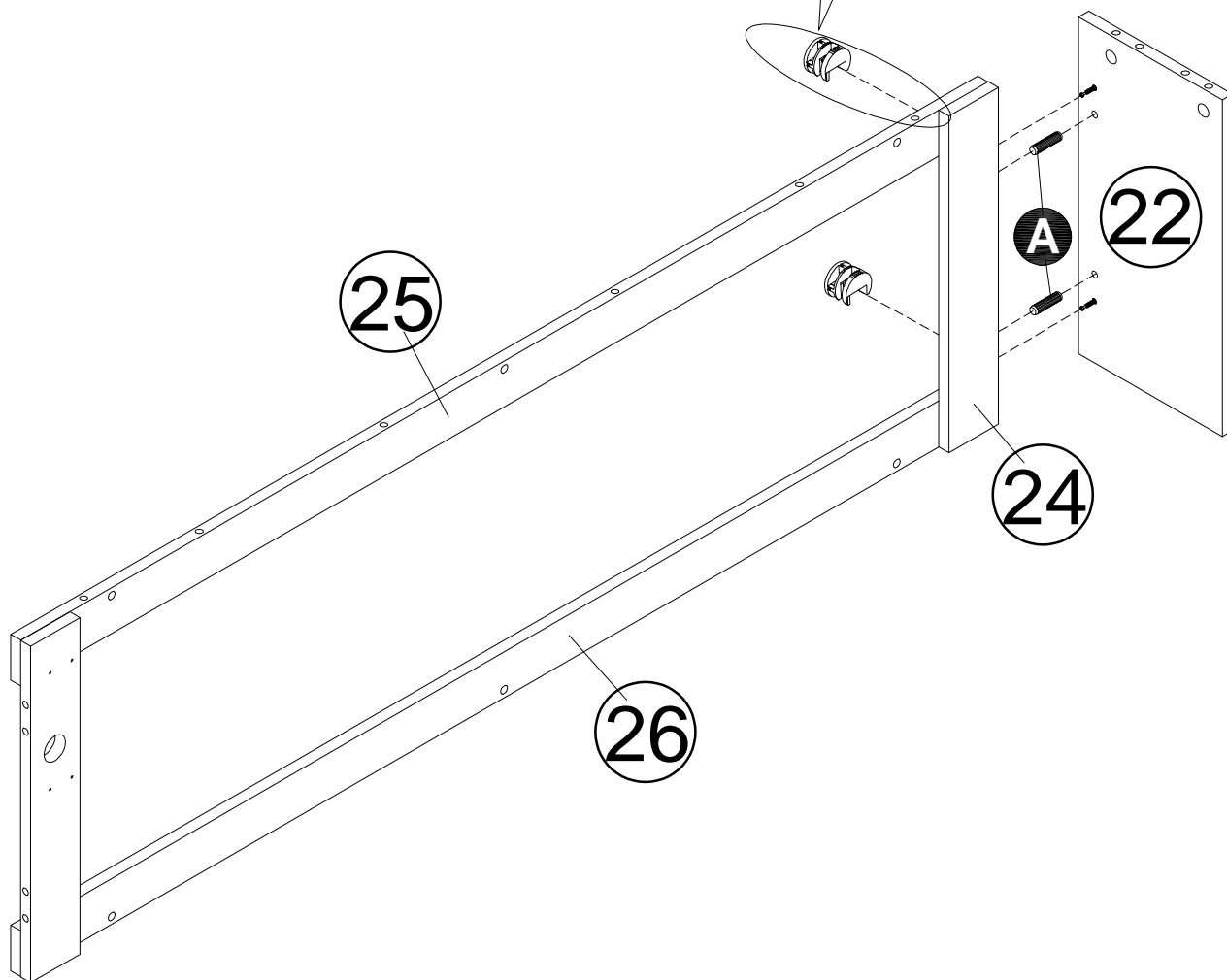
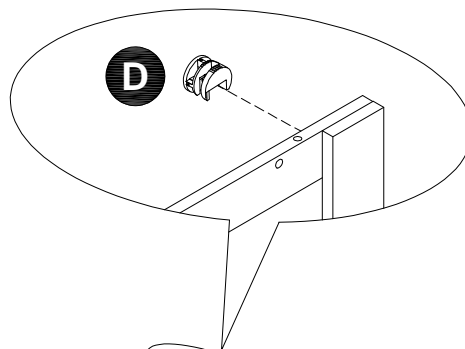
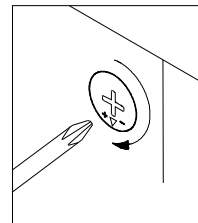
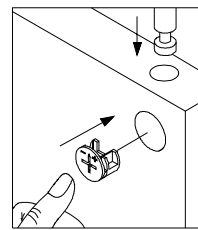
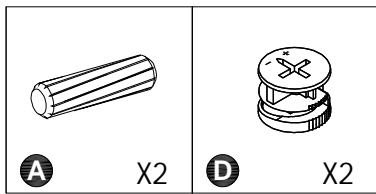


STEP 24

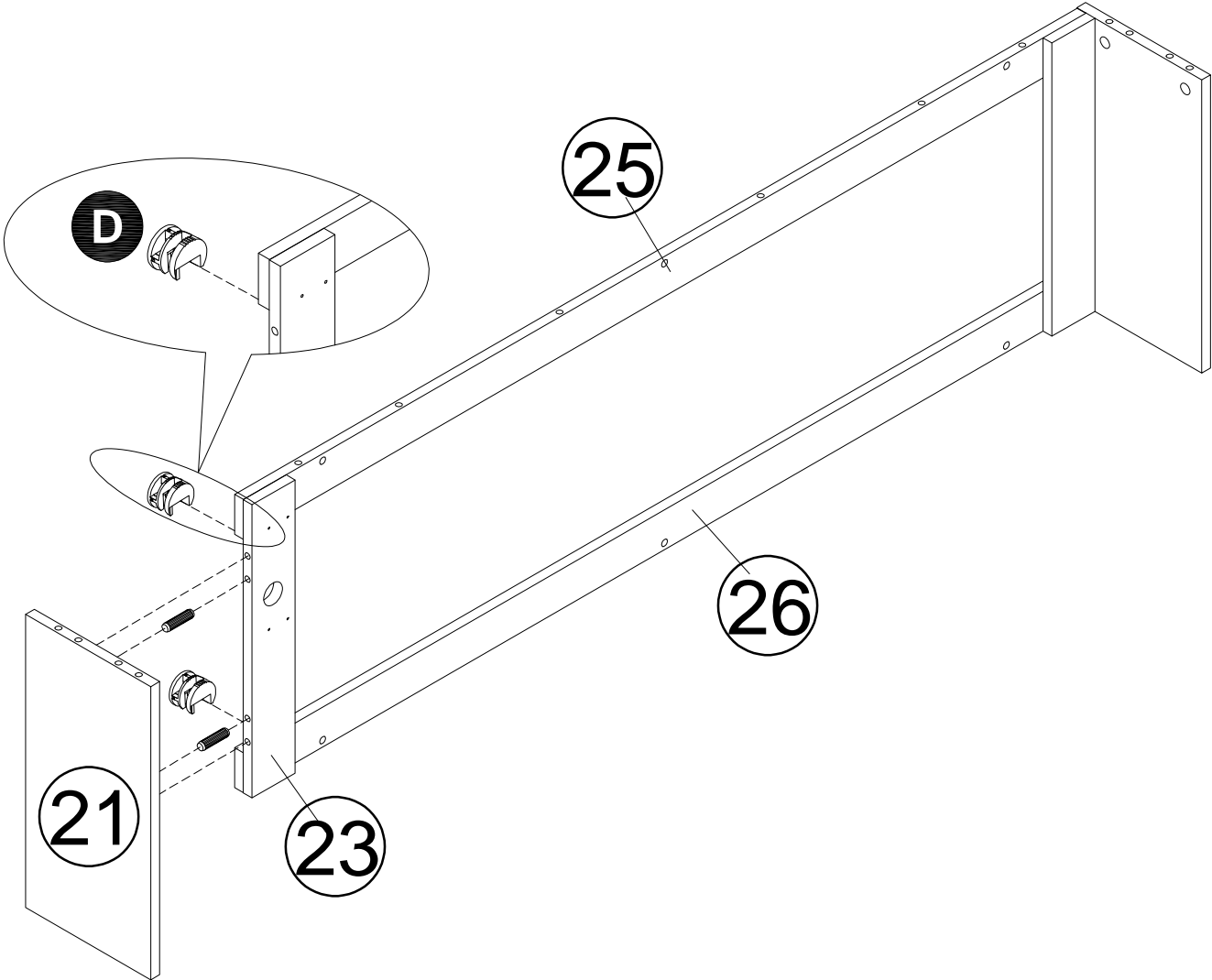
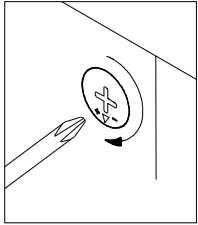
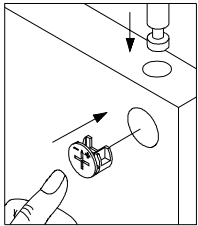
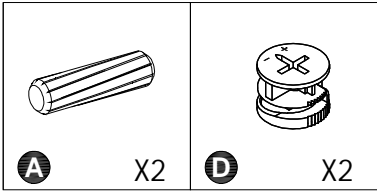
 ②3 X1	 ②4 X1	 ②5 X1	 ②6 X1
 BB X4	 AA X4		



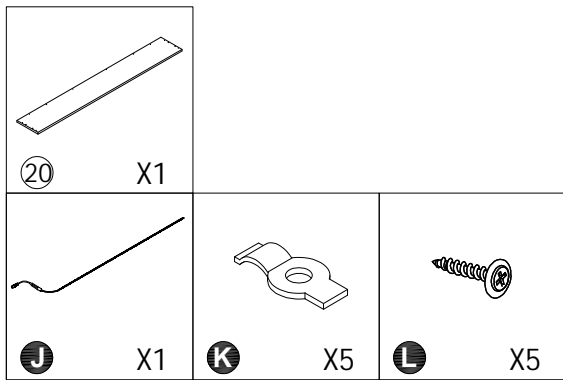
STEP 25



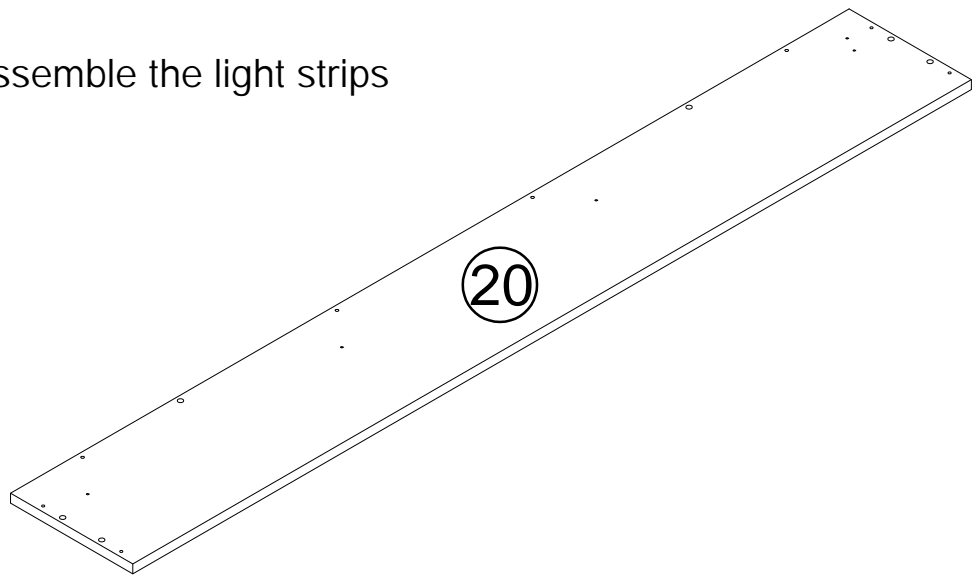
STEP 26



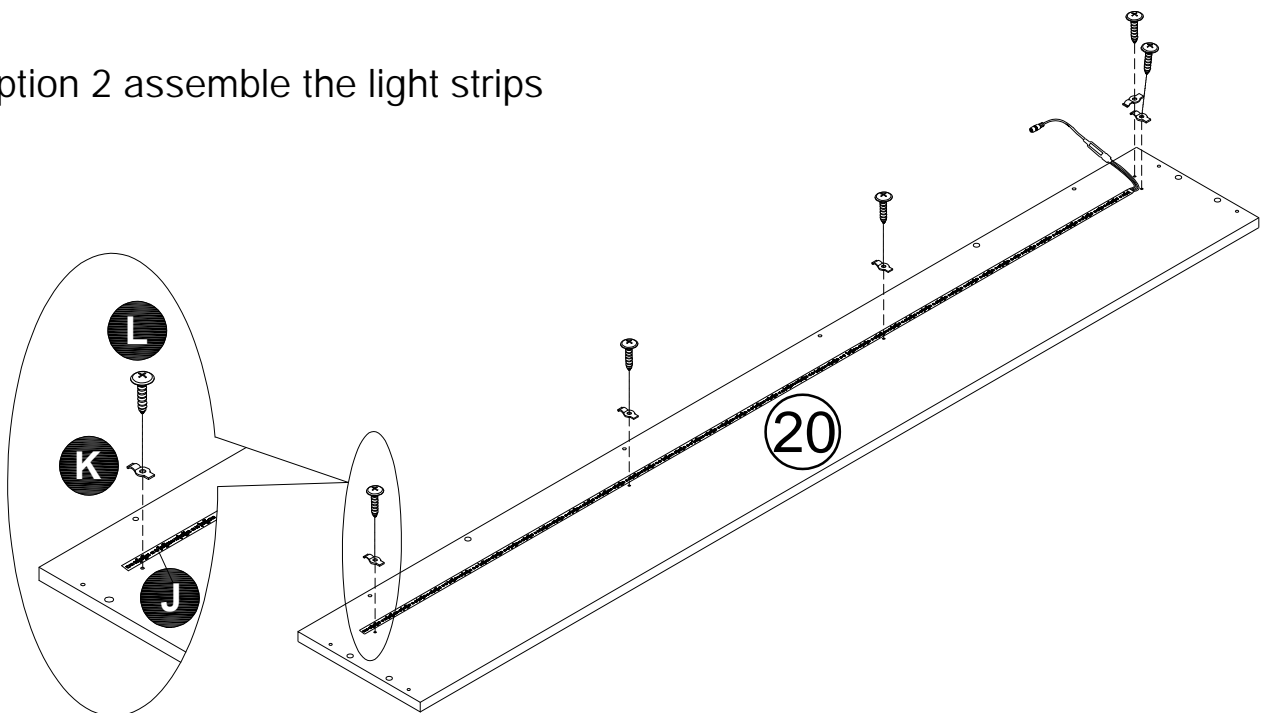
STEP 27



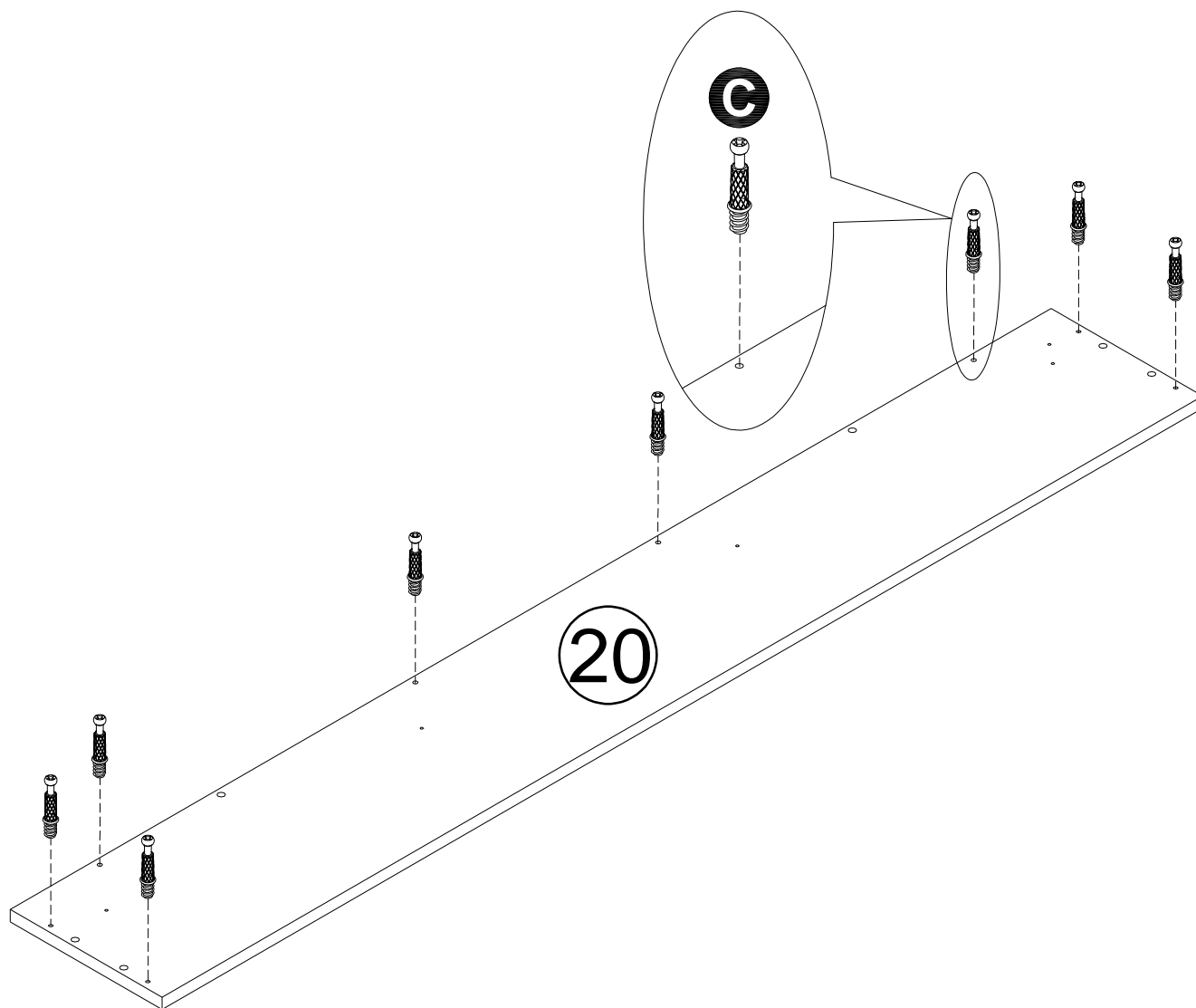
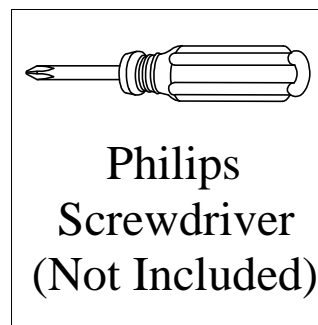
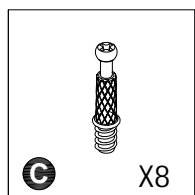
Option 1 do not assemble the light strips



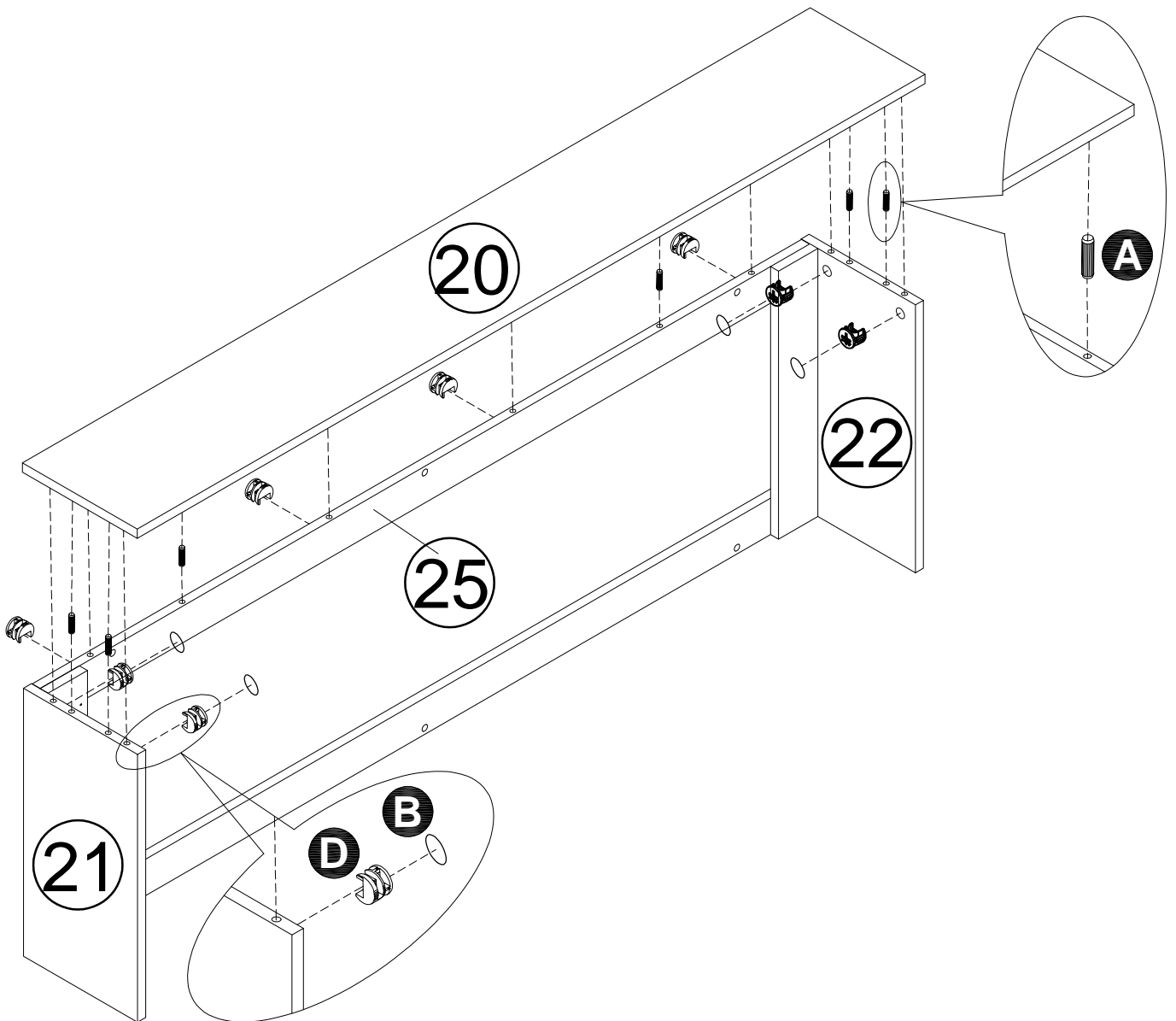
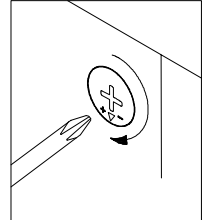
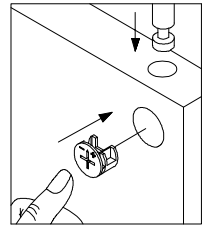
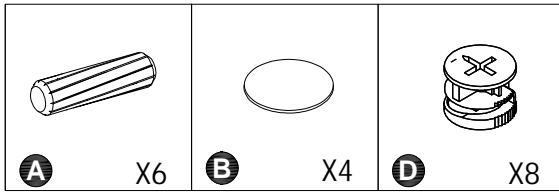
Option 2 assemble the light strips



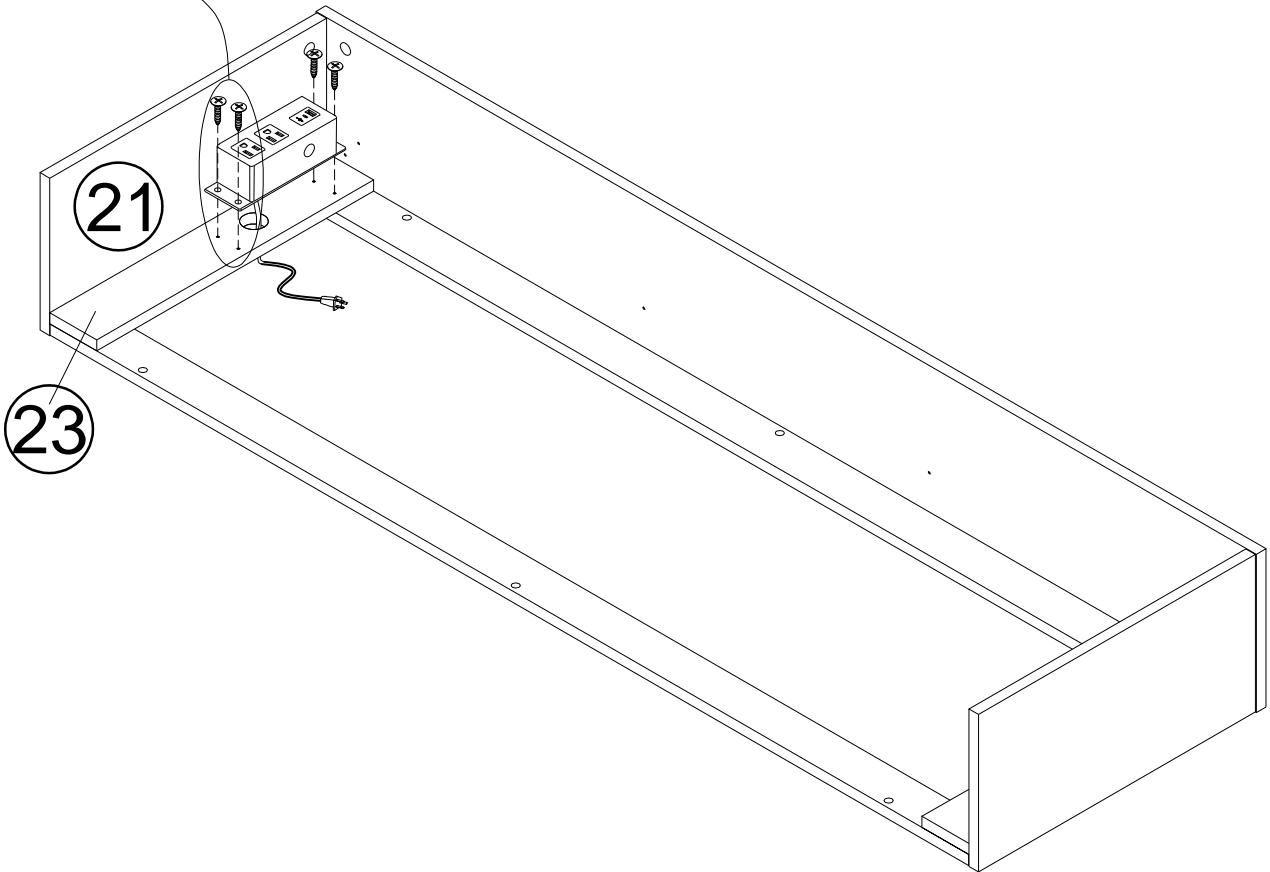
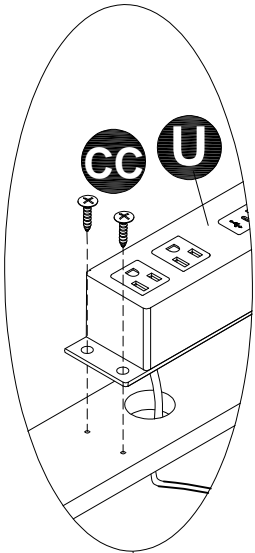
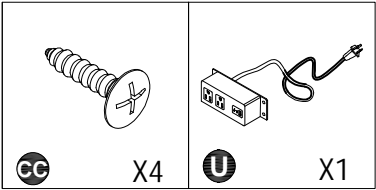
STEP 28



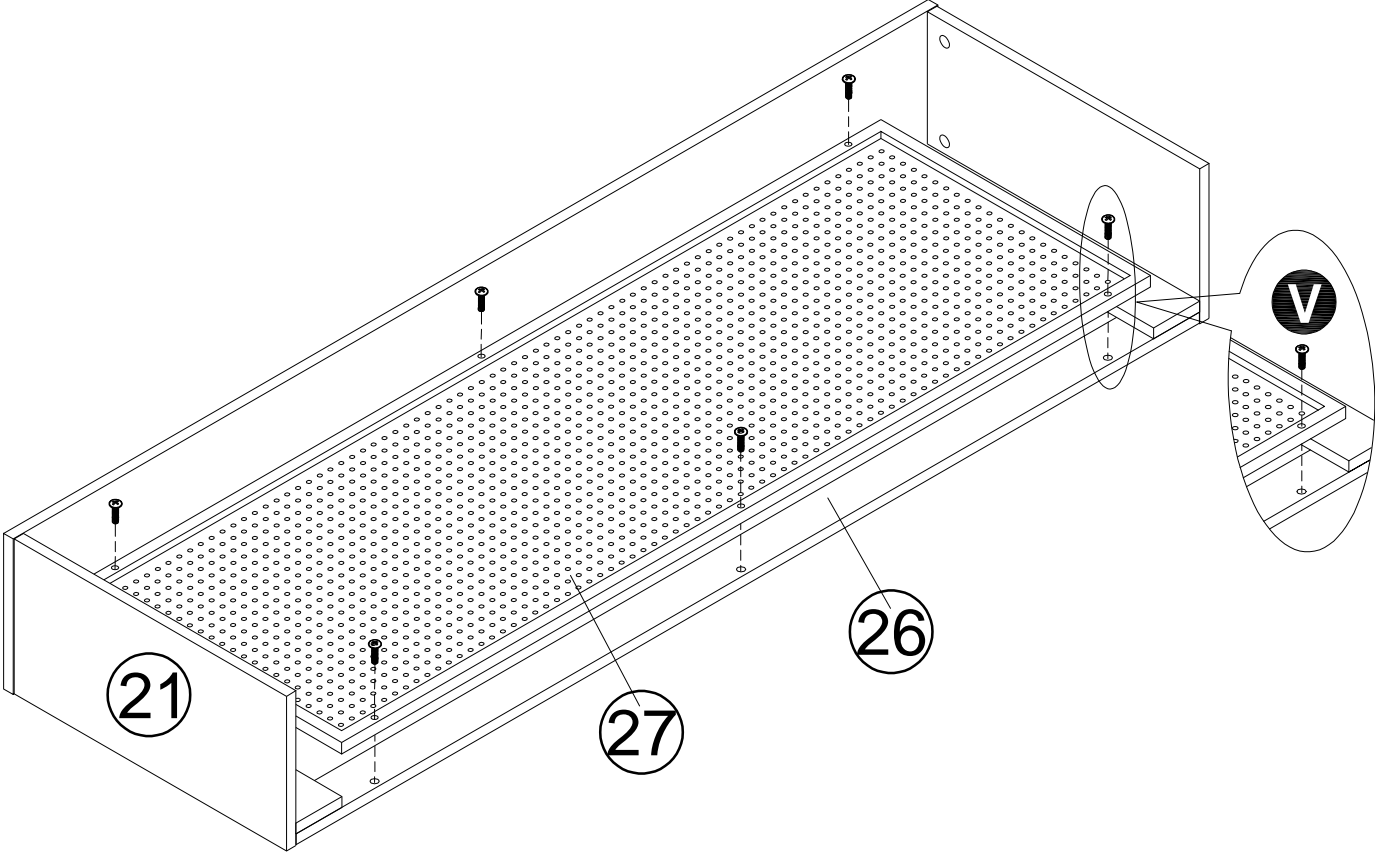
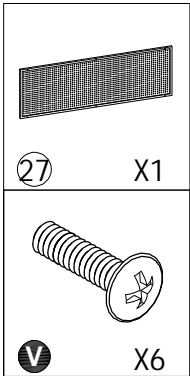
STEP 29



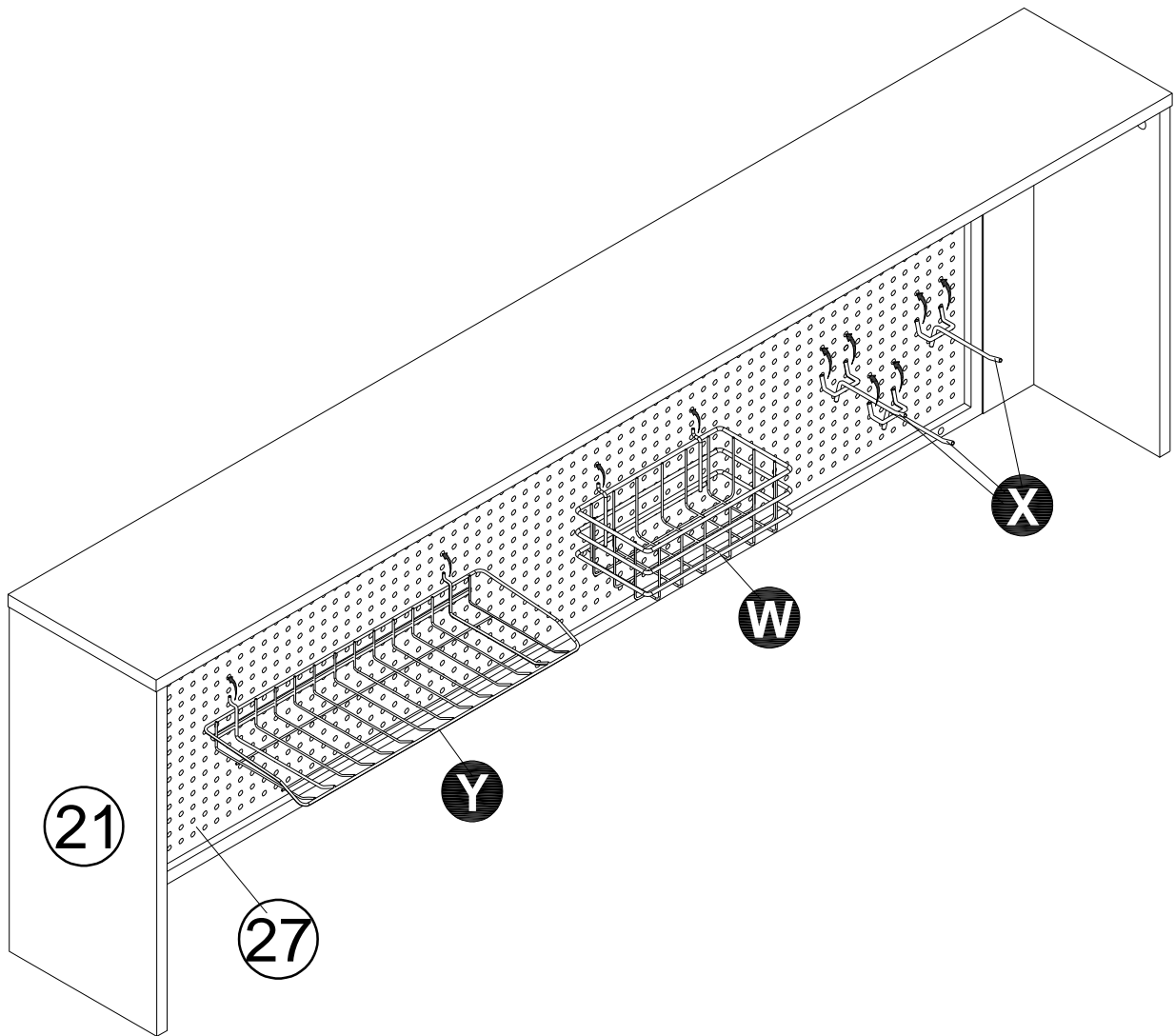
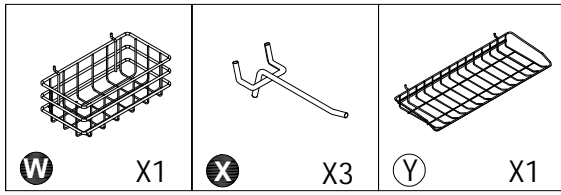
STEP 30



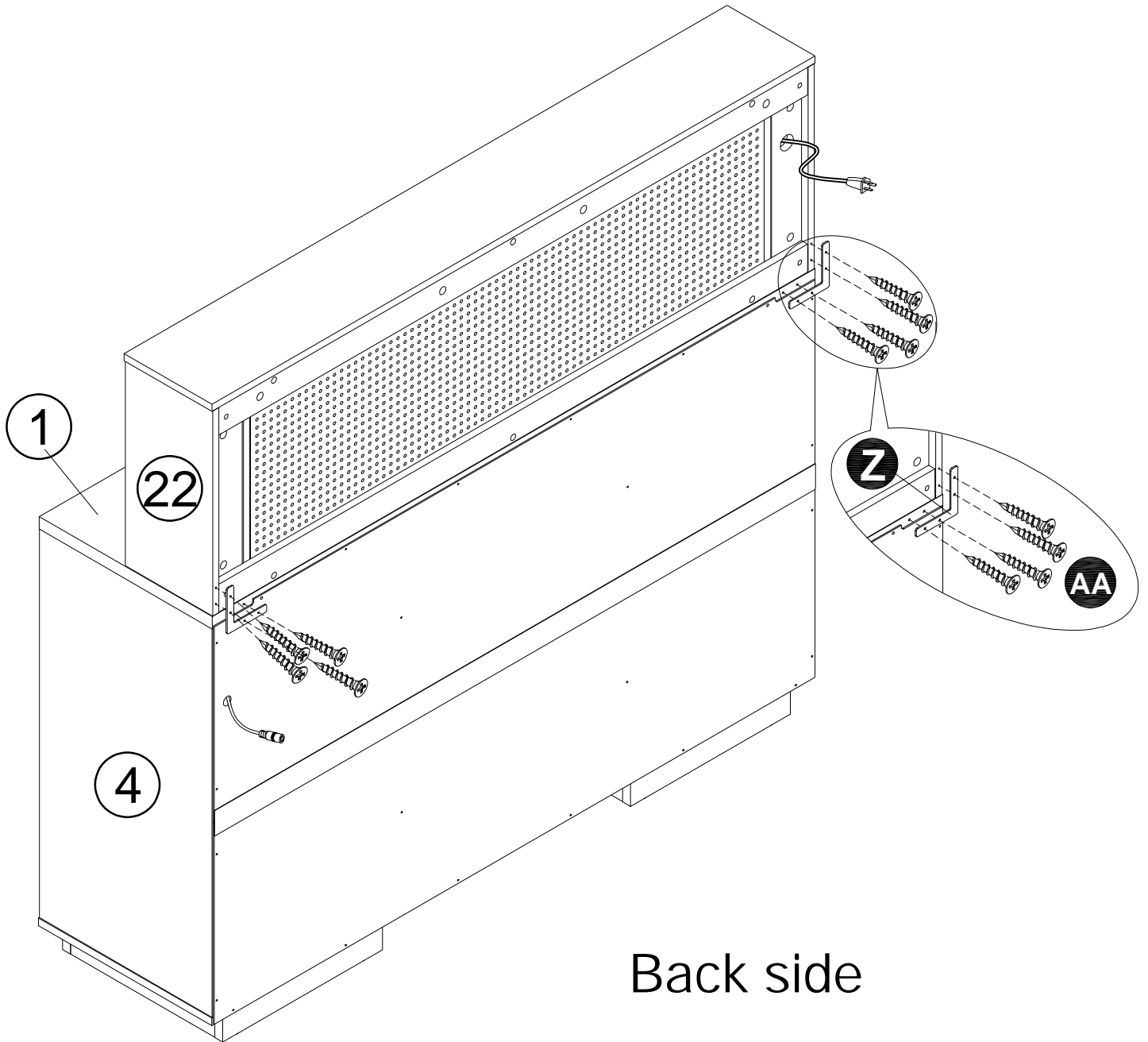
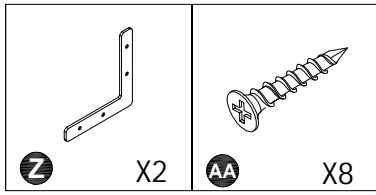
STEP 31



STEP 32

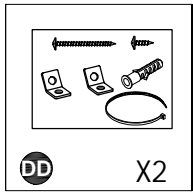


STEP 33



Back side

STEP 34

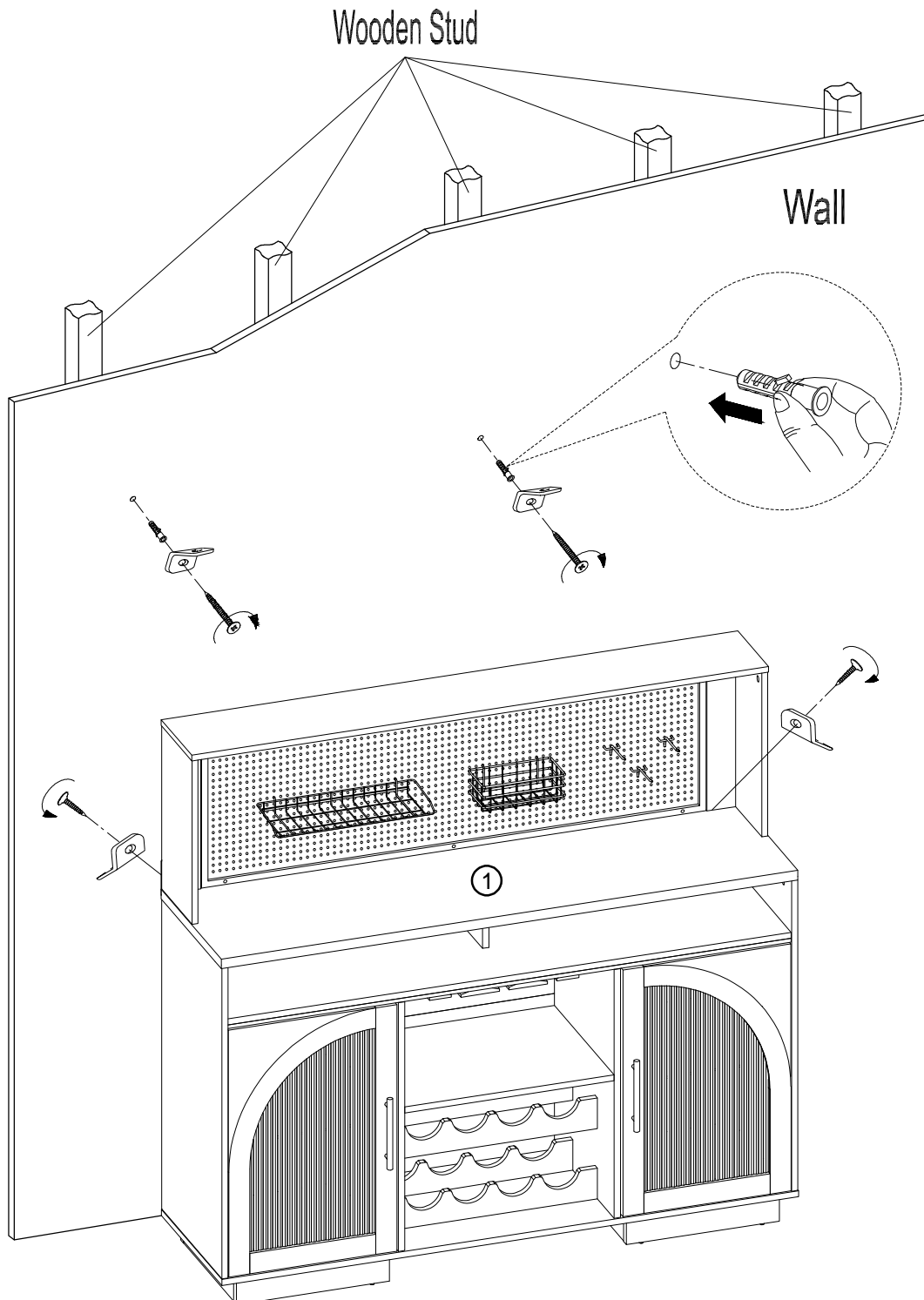


Warning/Avertissement/Advertencia

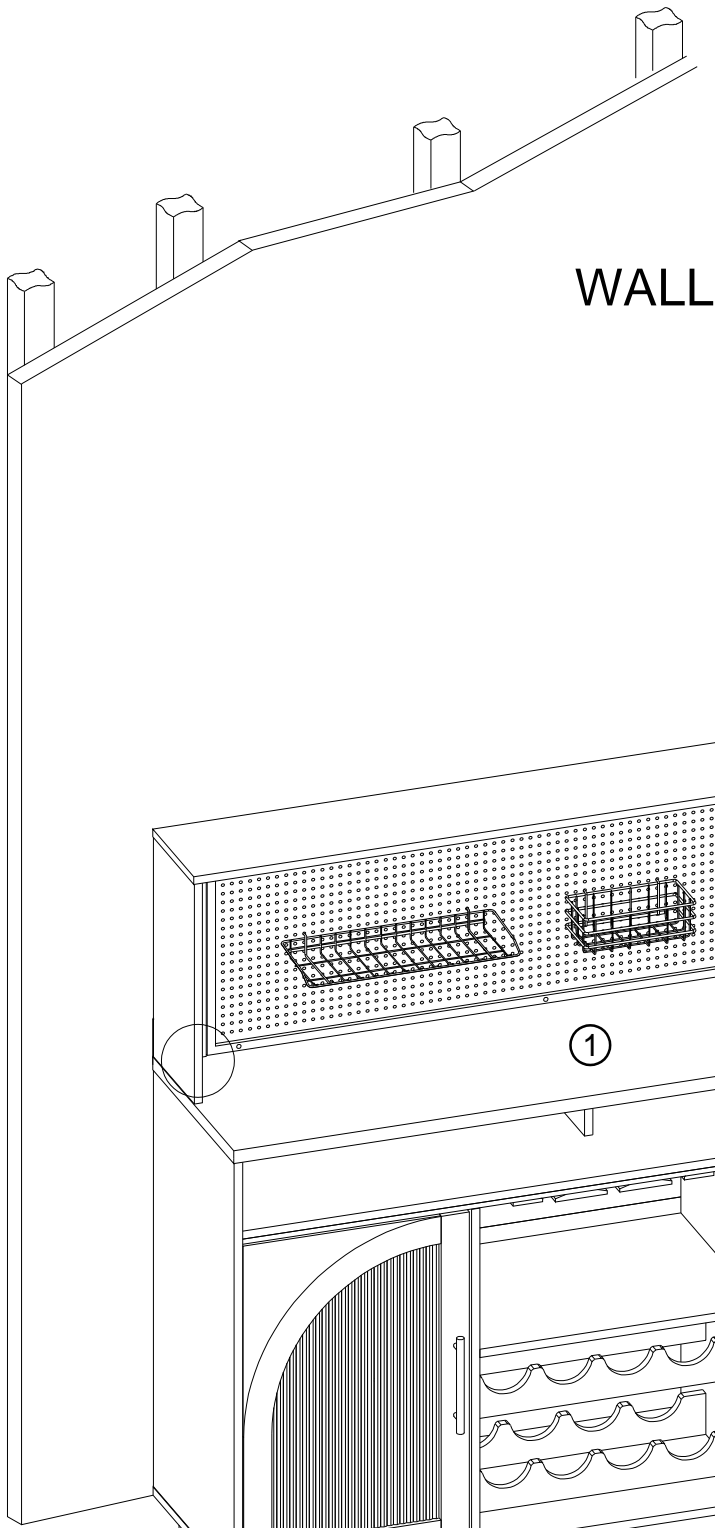
Young children can be seriously injured by tipping furniture. You must install the tipping restraint hardware with the unit to prevent the unit from tipping, causing any accidents or damage.

Les jeunes enfants peuvent se blesser grièvement si le meuble bascule. La trousse antibascule doit être installée pour prévenir la chute du meuble causant des accidents ou des dommages à l'unité.

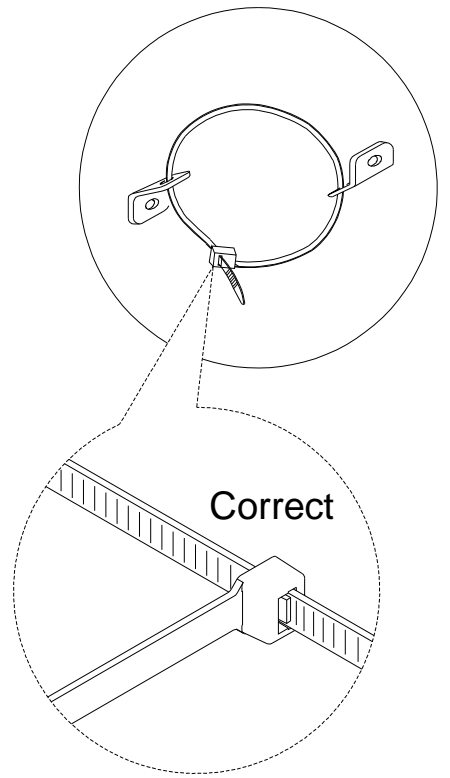
Los niños pequeños pueden sufrir graves por muebles que se caen. Debe instalar el herraje para restricción de movimiento con la unidad en servicio evitar que la unidad se vuelque, provocando accidentes o daños.



STEP 35

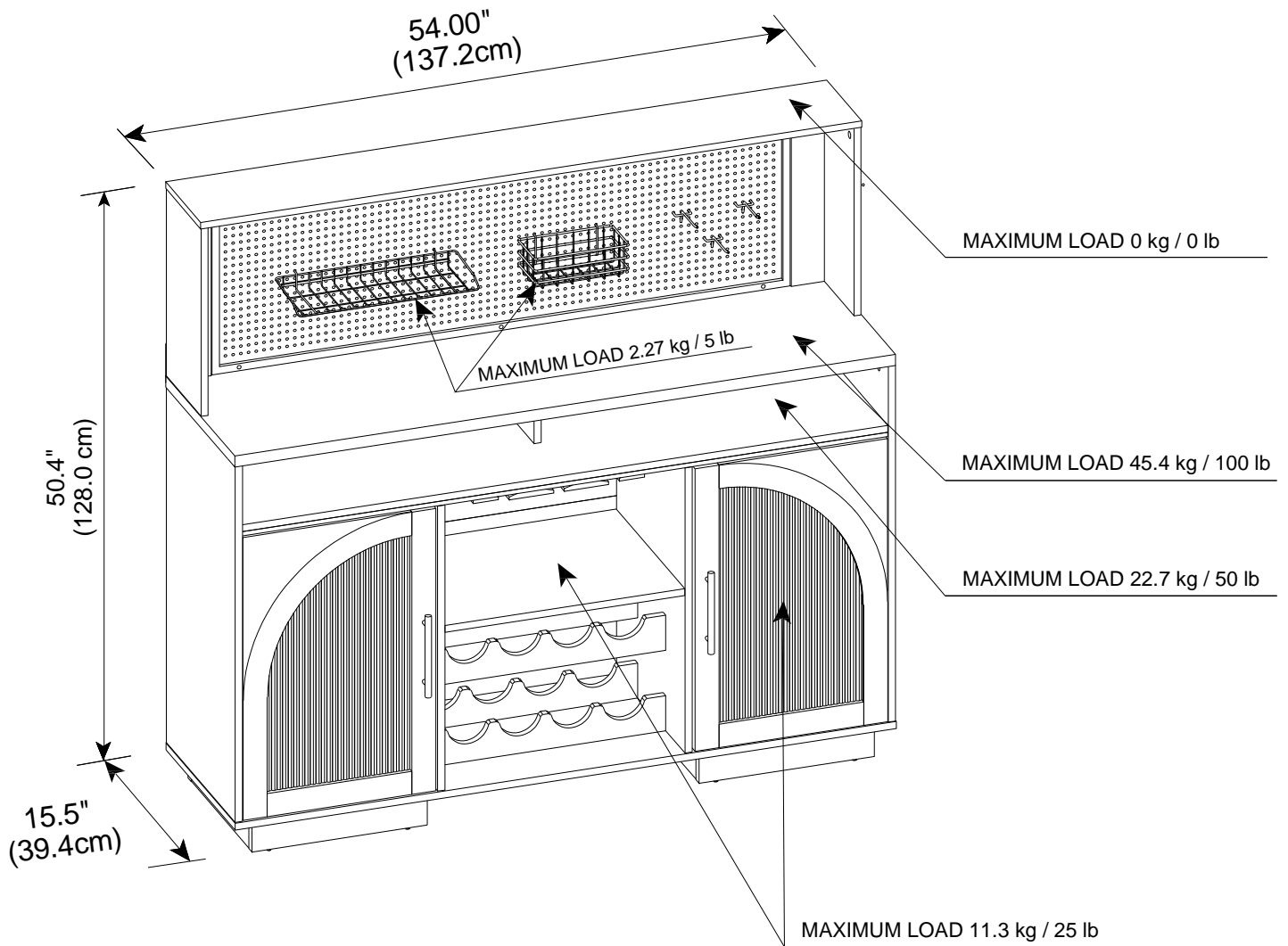


WALL



Correct

STEP 36



SPECIFICATIONS

ASSEMBLED DIMENSIONS(W x D x H)

54.0" x 50.4 " x 15.5"
137.2 x 128.0 x 39.4 cm

MAXIMUM WEIGHT CAPACITY

Top: 100 lb