

# Z Collection

Two Handle Roman Tub Faucet with hand-shower and Rough-in Valve



## Installation/Installation/Instalación

### **CUSTOMER SERVICE**

**TOLL-FREE 1-888-OK-ULTRA (658-5872)**

**UF65440 - Polished Chrome**

**UF65443 - PVD Brushed Nickel**

**UF65445 - Oil Rubbed Bronze**

**UF65447 - Matte Black**



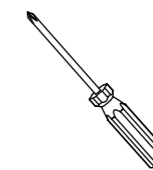
### Tools You Will Need / Outils dont vous aurez besoin / Herramientas necesarias



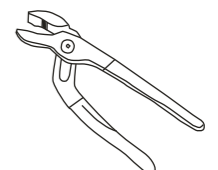
Adjustable Wrench  
Clé à molette  
Llave ajustable



Pipe Tape  
Ruban pour tuyau  
Cinta selladora para rosca



Phillips Screwdriver  
Tournevis cruciforme  
Destornillador cruciforme



Groove join pliers  
Pince multiprise  
Pinzas ajustables

### **SAFETY TIPS**

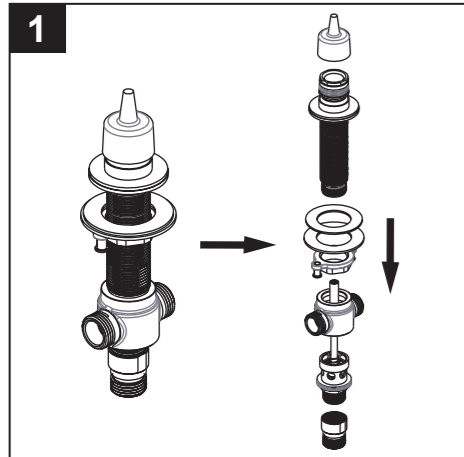
- If you use soldering for the installation of the faucet, the seats, cartridges and washers will have to be removed before using flame. Otherwise, warranty will be void on those parts.
- Cover your drain to avoid losing parts.
- 0°C~55°C.

### **CONSIGNES DE SÉCURITÉ**

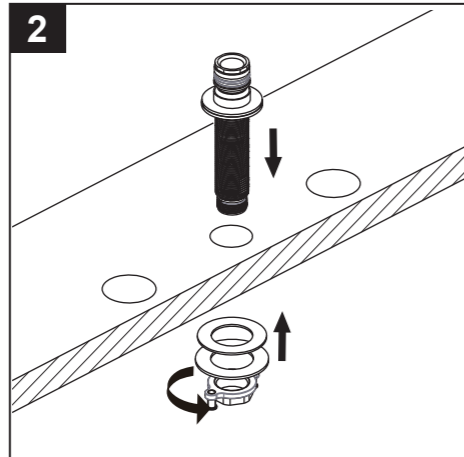
- Si vous posez le robinet par brasage, il est essentiel de retirer les sièges, les cartouches et les rondelles avant d'appliquer la flamme, faute de quoi la garantie sur ces pièces sera annulée.
- Couvrez le drain pour ne pas perdre des pièces.
- 0°C~55°C.

### **CONSEJOS DE SEGURIDAD**

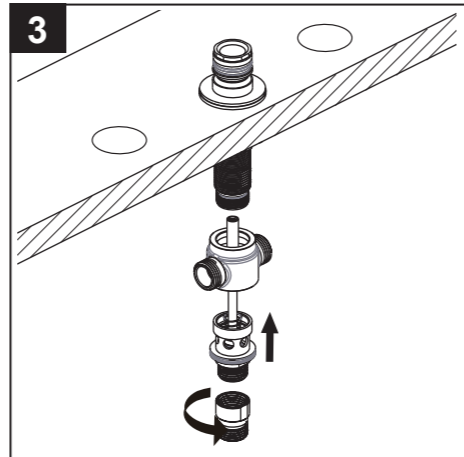
- En el caso de utilizar soldadura para instalar el grifo, remueva los asientos, cartuchos y arandelas antes de usar la llama. De lo contrario, se anulará la garantía para esos componentes.
- Tape la boca del desagüe para prevenir la pérdida de piezas pequeñas.
- 0°C~55°C.



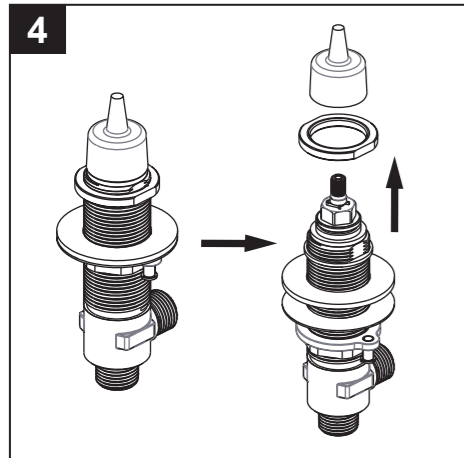
1 Remove the mud guard from the spout nipple-diverter assembly and unthread the diverter assembly.



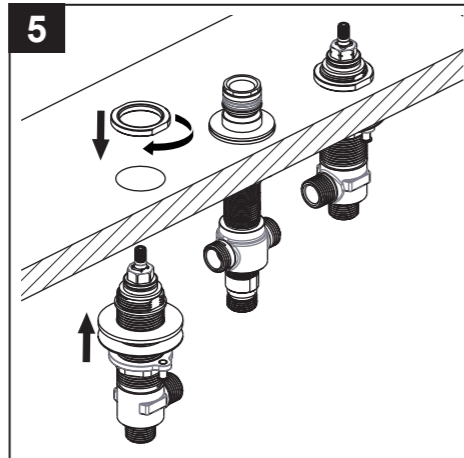
2 Slide the spout nipple down into the spout hole and secure by threading on the washer and nut.



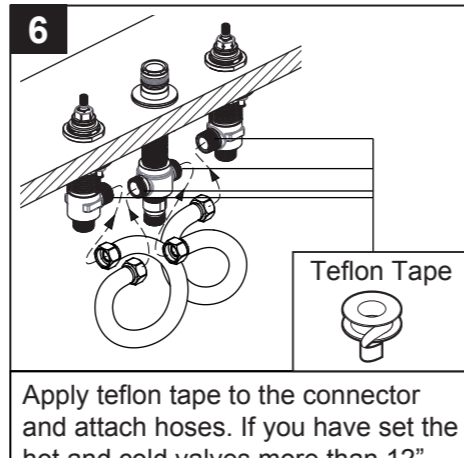
3 Re-attach the diverter assembly to the spout nipple.



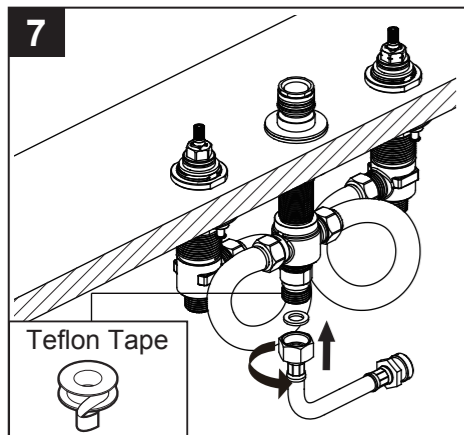
4 Remove the mud guards from the hot and cold valves.



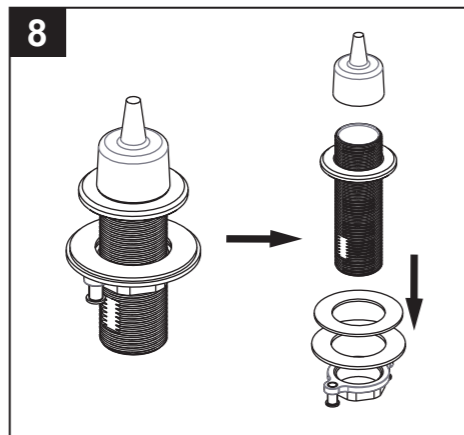
5 Push the hot and cold valves up from the bottom and thread on the valve nuts from the top to secure the valves.



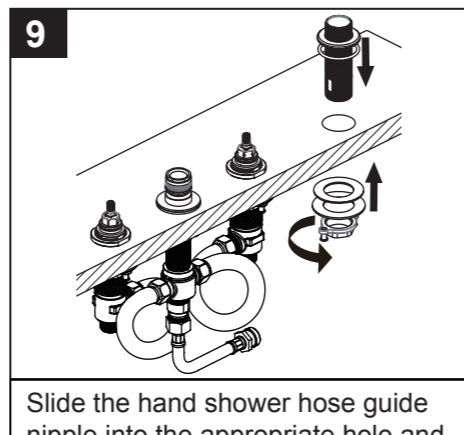
6 Apply teflon tape to the connector and attach hoses. If you have set the hot and cold valves more than 12" from the spout nipple-diverter assembly, please supply a code approved supply line.



7 Apply teflon tape to the bottom outlet on the spout nipple-diverter assembly and attach the rough hand shower hose with washer.



8 Remove the mud guard from the hand shower hose guide nipple and unthread the fixed assembly.



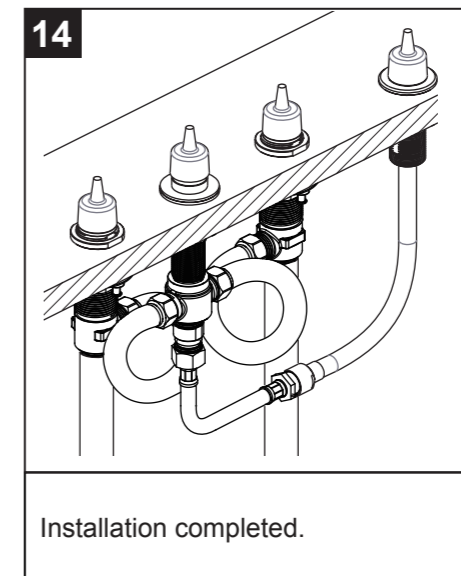
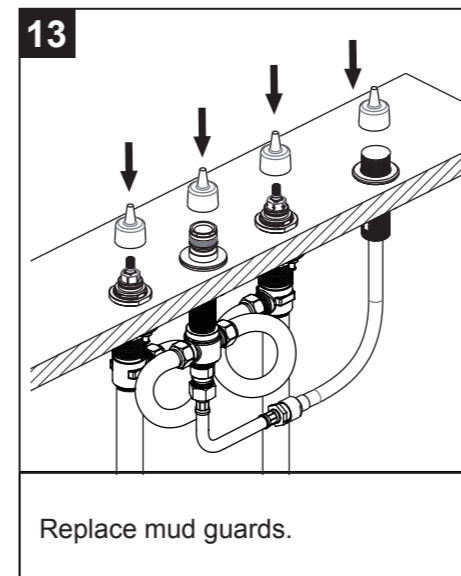
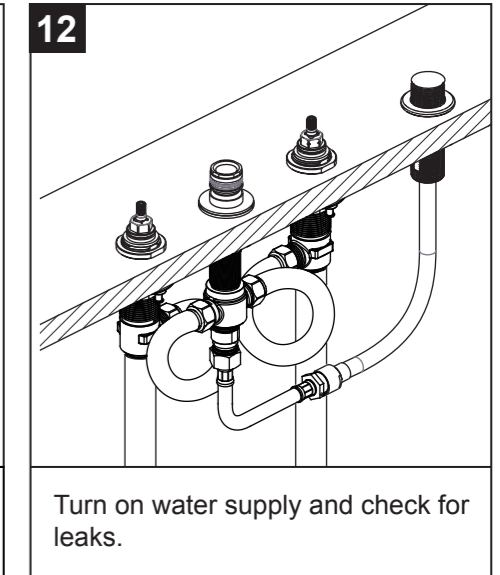
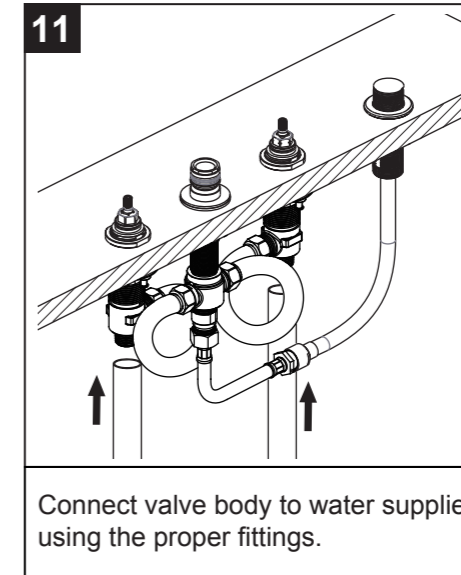
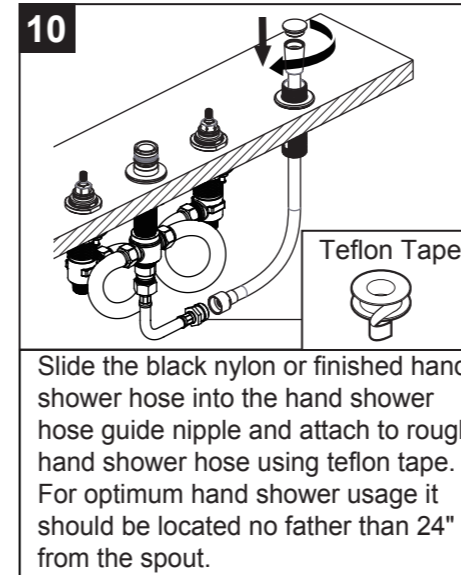
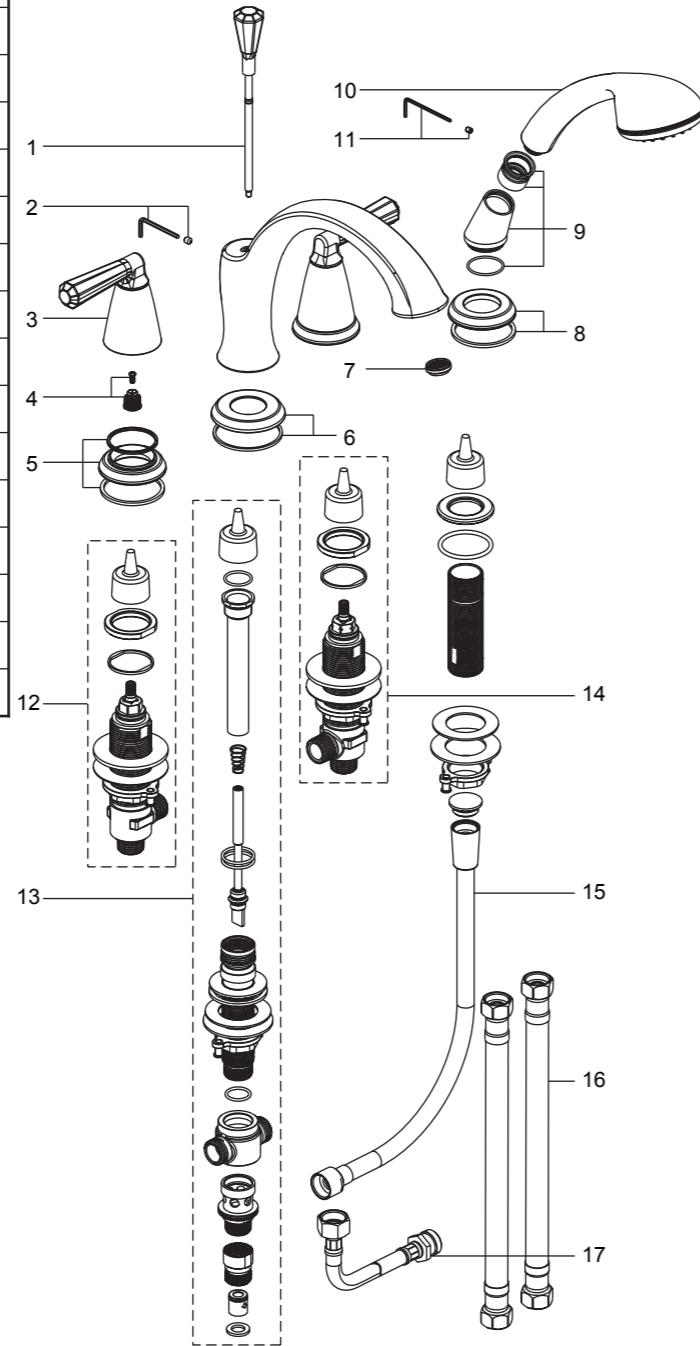
9 Slide the hand shower hose guide nipple into the appropriate hole and secure by threading on the nut and washer. For optimum hand shower usage, it should be located no farther than 24" from the spout.

Replacement Parts / Pièces de rechange / Repuestos

UF65440  
 UF65443  
 UF65445  
 UF65447



NO.	Description	Part No.
1	Diverter Knob & Rod Assembly	9Q225000CP/AP/HA/HBW
2	Deck Spout Set Screw & Allen Key	9Q1350NT
3	Handle	5C0001500CP/AP/HA/HBW0
4	Handle Adaptor	9Q224700PL
5	Handle Base Assembly	9Q224800CP/AP/HA/HBW
6	Base Assembly	9Q224900CP/AP/HA/HBW
7	Aerator	5E0M0115PL
8	Base Assembly	9Q225200CP/AP/HA/HBW
9	Shower Base Assembly	9Q225100CP/AP/HA/HBW
10	Hand Shower	5F0001400CP/AP/HA0
11	Hand Shower Set Screw & Allen Key	9Q1349NT
12	Hot Valve Body Assembly	9Q225300NT
13	Spout Diverter Assembly	9Q225500NT
14	Cold Valve Body Assembly	9Q225400NT
15	Hose	5G0M0191CP
16	Hose	5G0M0055CP
17	Diverter Assembly	51014144NC



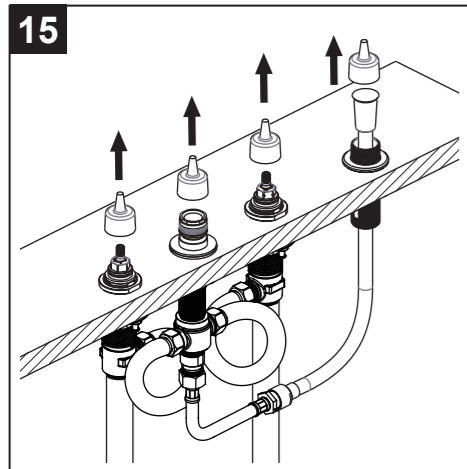
**Limited Lifetime Warranty**

Ultra Faucets warrants to the original purchaser that its products will be free from defects in workmanship and materials. All Ultra Faucets are provided with a life time limited warranty. This warranty does not cover any other labor or service charges associated with the removal, repair, or reinstallation of Ultra Faucets products. This express warranty does not apply to products that have been damaged as a result of misuse, abuse, negligence, accident, faulty installation or maintenance practices and/or used in any manner contrary to those recommended by the manufacturer.

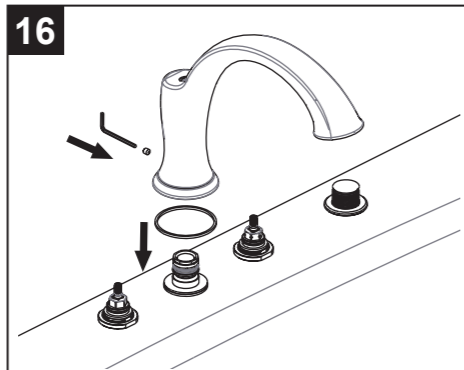
**Need help?** Please call our toll-free customer service line at 1-888-658-5872 for additional assistance or service.

**Besoin d'aide?** Veuillez communiquer avec notre service à la clientèle au numéro gratuit 1-888-658-5872 pour tous renseignements ou services complémentaires.

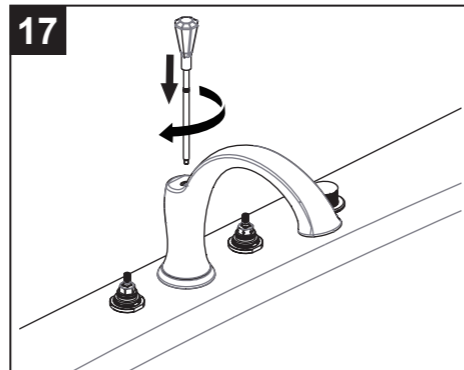
**¿Requiere asistencia?** Llame a nuestro Servicio al Cliente, sin costo, al 1-888-658-5872 para asistencia adicional o servicio.



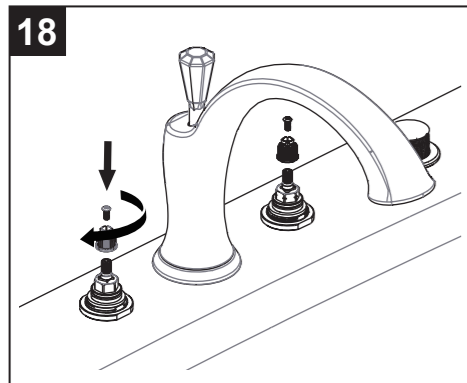
Turn the water supply off and remove the mud guards.



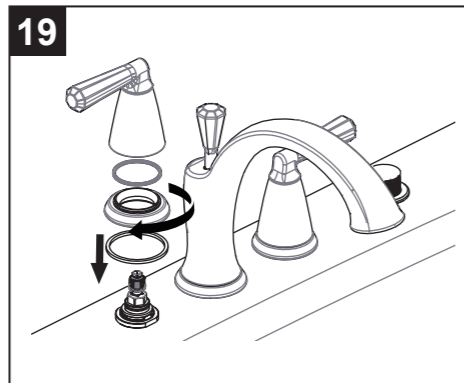
Place the spout washer under the spout and install spout on spout nipple-diverter assembly. Be sure the spout is firmly resting on the deck. Secure the spout with the setscrew.



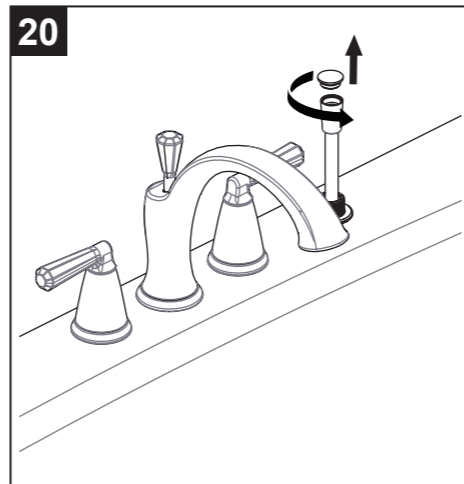
Insert diverter knob and rod assembly into the spout and thread the assembly onto the diverter rod in the spout diverter assembly. Pull the diverter rod and knob up and down to test the connection.



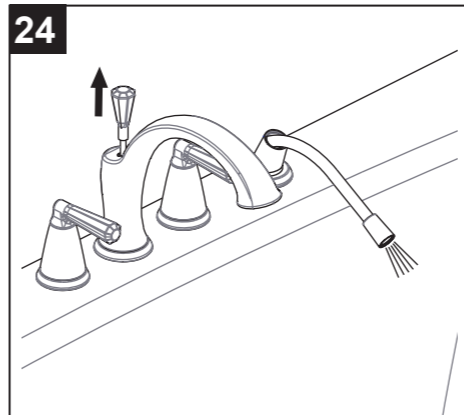
Insert the bush and screw into the hot valve. Secure the assembly by turning the screw clockwise. Repeat for cold valve.



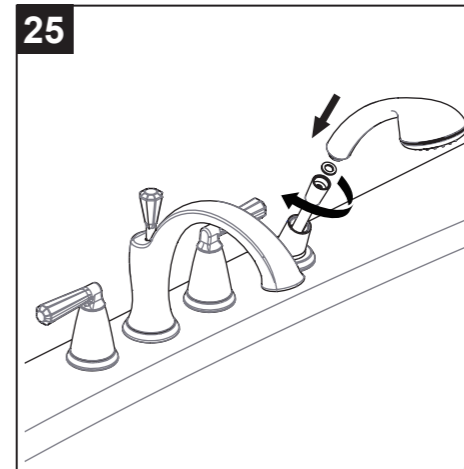
Place the washer over the hot valve. Align the handle and place the handle and escutcheon assembly into the valve. Secure the assembly by turning the escutcheon clockwise. Repeat for cold valve.



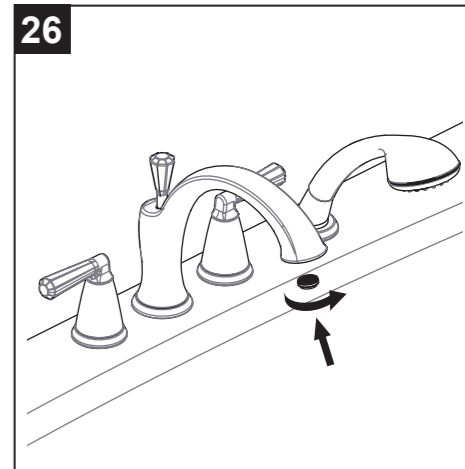
Remove the plastic cover.



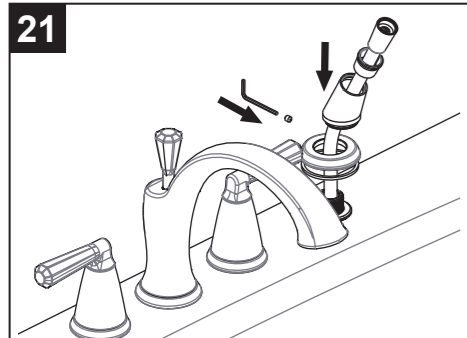
Leaving the water on, pull the hose to its farthest extension and point it into the tub. Pull the diverter knob to its top position. Flush the debris for one minute. Turn off the valves.



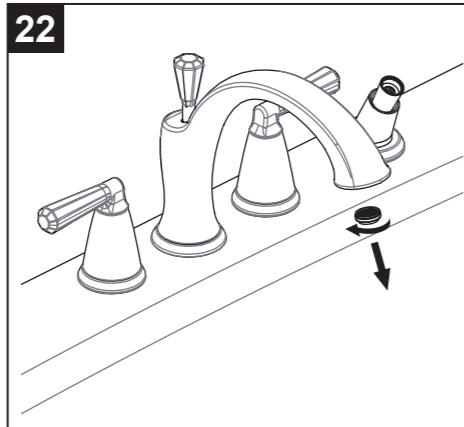
Attach the hand shower to the black nylon or finished hose.



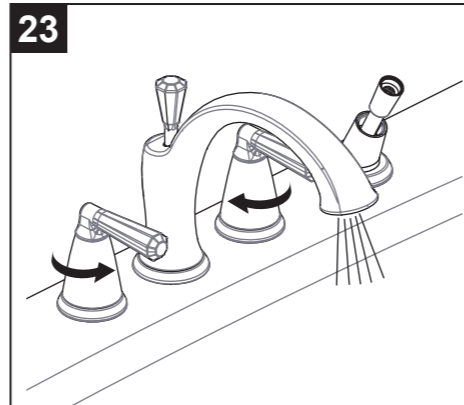
Re-install the aerator with tool.



Pull black nylon or finished hose through the hand shower nipple bracket. Slide the hand shower washer, bracket and hose guide over the hose. Secure the assembly with the setscrew. Note, make sure the hose does not slip under the deck.



Remove the aerator with tool. Turn the water supply on.



Make sure the diverter knob is in the down position. Turn the faucet handles on full for one minute to flush debris.



Installation complete.