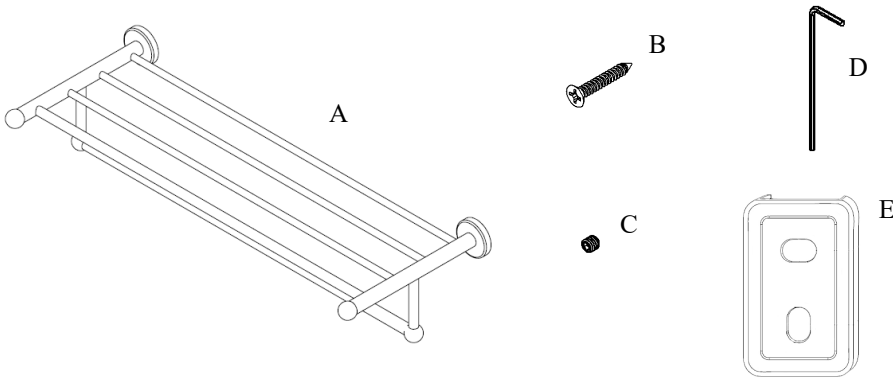


# Ember Towel Shelf With Bar Installation Guide



Parts Included	QTY
A - Towel Shelf w/ Bar	1
B - Screw	4
C - Set Screw	2
D - Allen Key	1
E - Bracket	2

Description	Finish	Weight (lb)	WxHxD (mm)	WxHxD (Inches)	Metal Type
Ember Towel Shelf w/ Bar	Chrome	2.3	636 x 130 x 238	25 x 5.1 x 9.4	Brass
Ember Towel Shelf w/ Bar	Brushed Nickel	2.3	636 x 130 x 238	25 x 5.1 x 9.4	Brass
Ember Towel Shelf w/ Bar	Polished Nickel	2.3	636 x 130 x 238	25 x 5.1 x 9.4	Brass

**Warranty:** 2 Years

**Care & Maintenance:** A periodic wash using warm water and a soft cloth will retain the high quality finish of your product for many years to come. ON NO ACCOUNT should any household bleaches, detergents, abrasive polishes, steel wool or other cleaning agents be used on this item.

