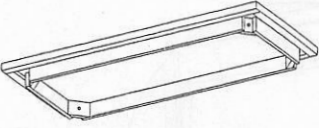
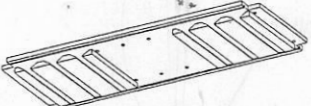

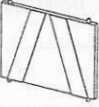



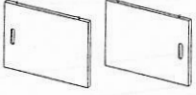
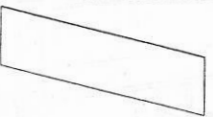
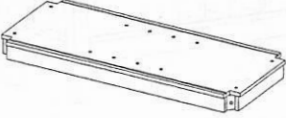


ASSEMBLY INSTRUCTION

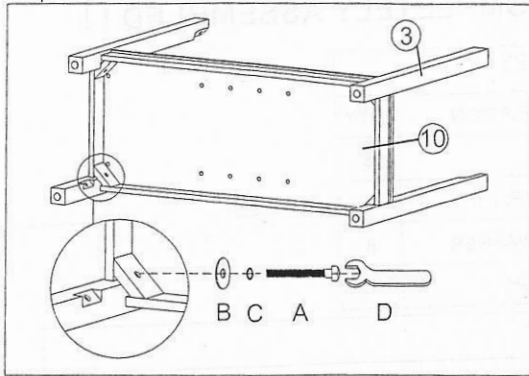
NOTE : THIS ITEM NOT RECOMMENDED FOR COMMERCIAL USE
KEEP THIS DOCUMENT FOR REFERENCE IN CASE PARTS ARE NEEDED
DO NOT TIGHTEN SCREWS UNTIL COMPLETELY ASSEMBLED !!

HARDWARE LIST			
NO		DESCRIPTION	QTY
A		BOLT	8
B		WASHER	8
C		LOCK WASHER	8
D		WRENCH	1

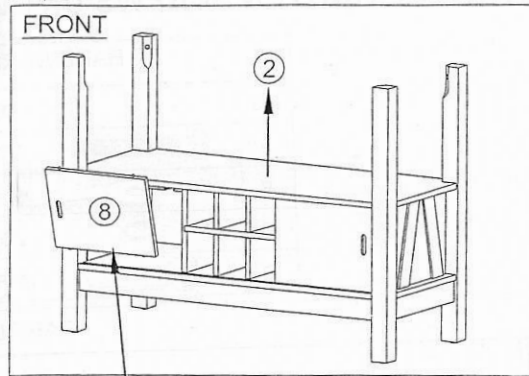
PART LIST			
NO			QTY
1		TABLE TOP	1 PC
2		TOP PANEL	1 PC
3		LEG	4 PCS
4		SIDE PANEL	2 PCS
5		SIDE PANEL WINE RACK	2 PCS
6		VERTICAL WINE RACK	2 PCS
7		MIDDLE PANEL	1 PC
8		DOOR PANEL	2 PCS
9		BACK PANEL	1 PC
10		BOTTOM PANEL	1 PC

ASSEMBLY INSTRUCTION

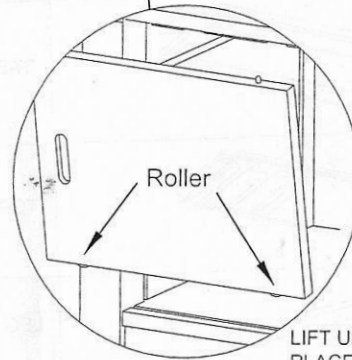
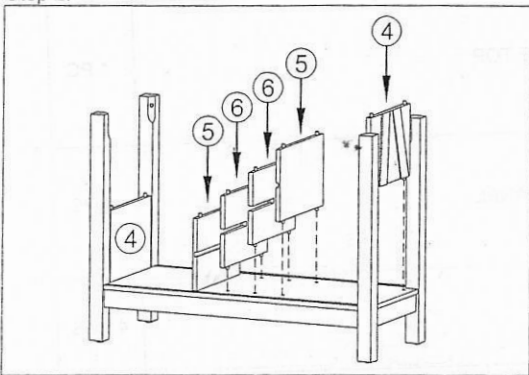
Step 1.



Step 5.

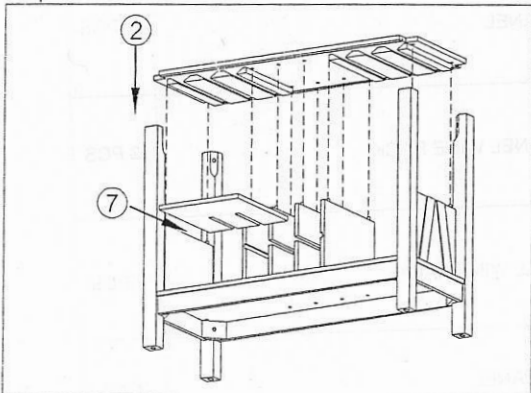


Step 2.

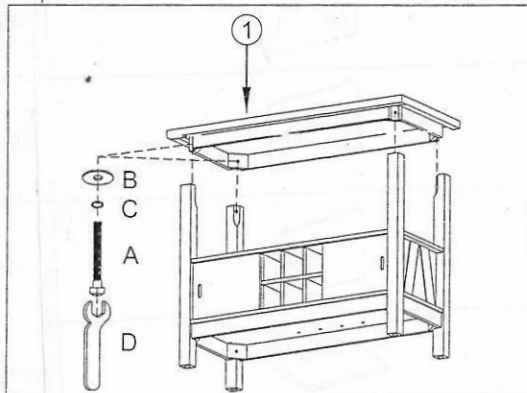


LIFT UP TOP PANEL (2) TO PLACE THE DOOR PANEL (8) INTO THE FLUTE

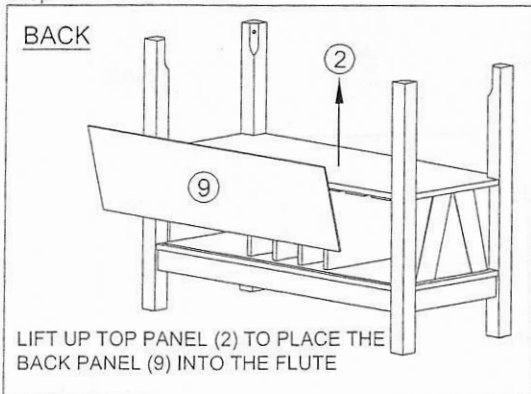
Step 3.



Step 6.



Step 4.



LIFT UP TOP PANEL (2) TO PLACE THE BACK PANEL (9) INTO THE FLUTE

