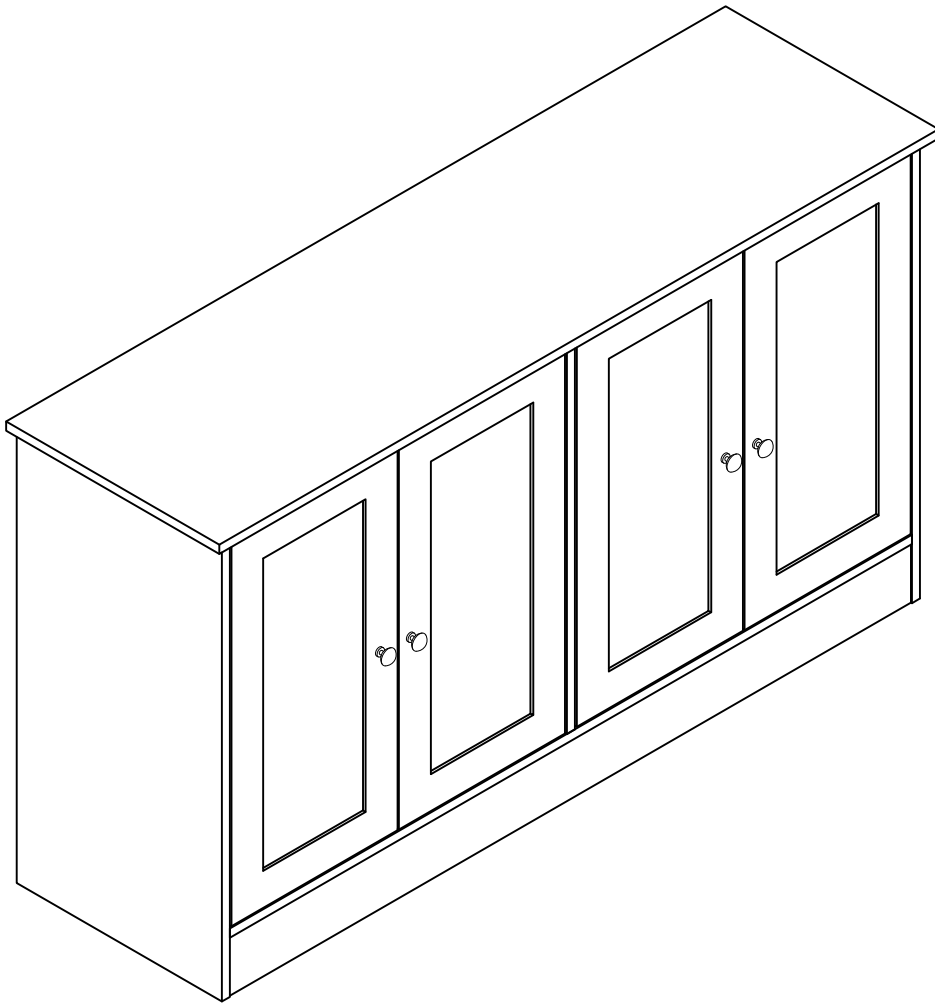


Storage Cabinet



WARNING

Serious or fatal injury may occur from unexpected assembly or use.

1. During the assembly process, keep all parts away from babies or children.
2. Always securely fix this product to the wall. Make sure the wall area to be drilled is free from hidden electrical wires, water and gas pipes.
3. Use of tip-over restraints may only reduce, but not eliminate the risk of tip-over.
4. Unless specially designed to accommodate, do not set heavy objects on top of this product.
5. Place the heaviest items on the lowest shelf.
6. Never allow children to climb or bang on drawers, doors or shelves.

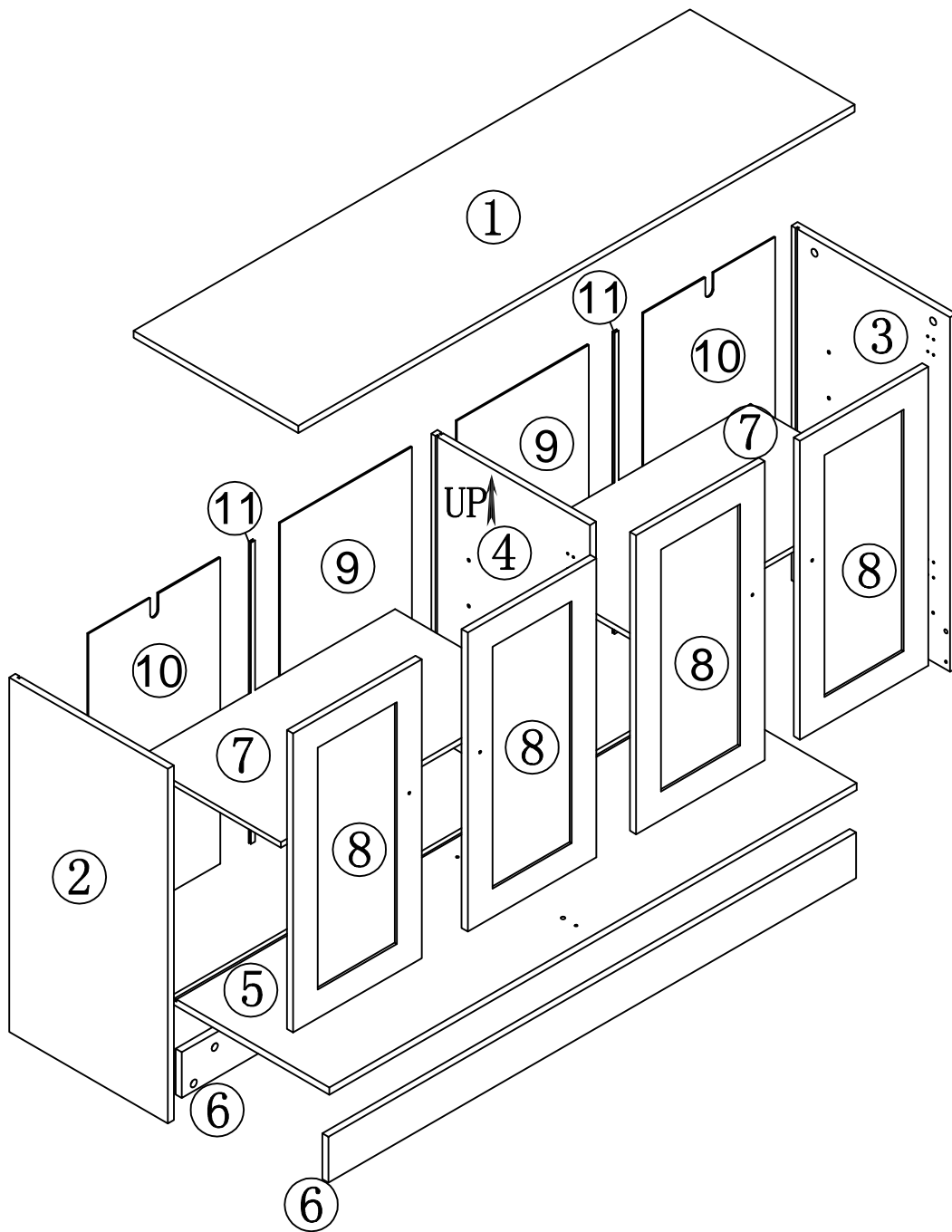
WARNING



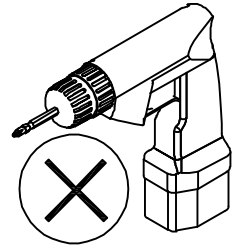
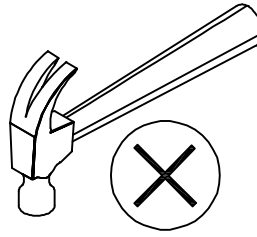
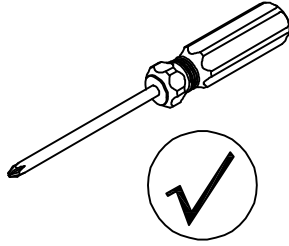
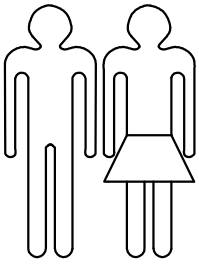
Children have died from furniture tipover. To reduce the risk of furniture tipover:

- **ALWAYS** install tipover restraint provided.
- **NEVER** put a TV on this product.
- **NEVER** allow children to stand, climb or hang on drawers, doors, or shelves.
- **NEVER** open more than one drawer at a time.
- Place heaviest items in the lowest drawers.

Parts List (EN) / Teile Liste (DE)

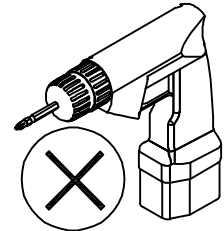
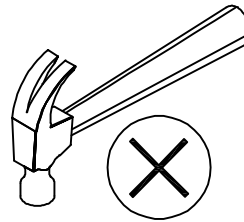
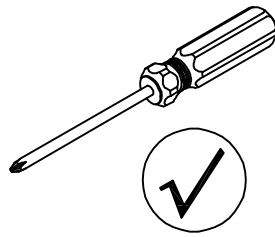
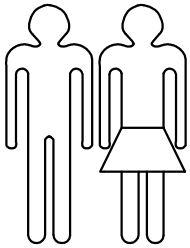



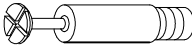


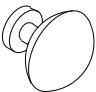
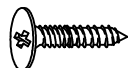


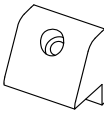

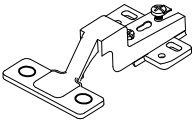
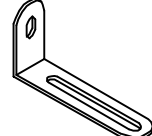
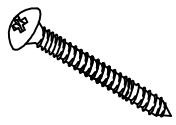
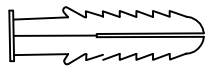
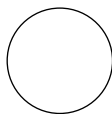
Parts List (EN) / Teile Liste (DE)



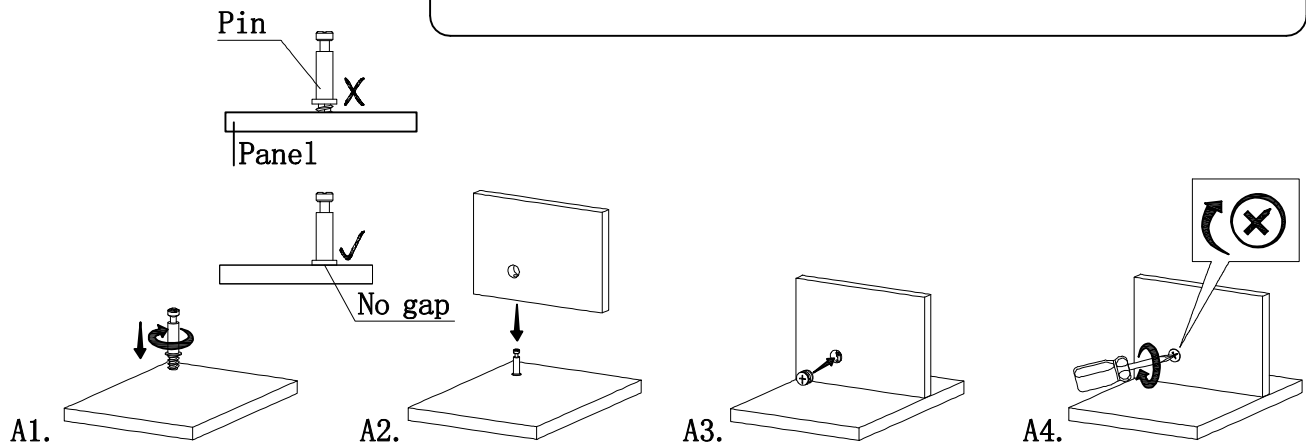
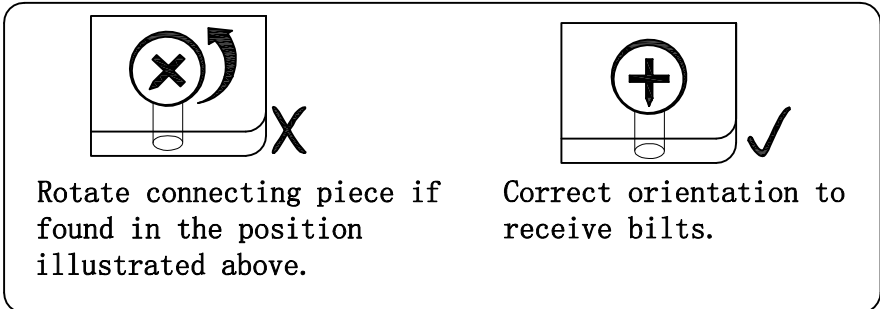
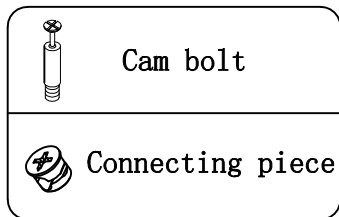
<p>①</p> <p>1250*400*15mm 1PC</p>	<p>②</p> <p>735*370*15mm 1PC</p>	<p>③</p> <p>735*370*15mm 1PC</p>	<p>④</p> <p>619*366*15mm 1PC</p>
<p>⑤</p> <p>1189*368*15mm 1PC</p>	<p>⑥</p> <p>1189*100*15mm 2PCS</p>	<p>⑦</p> <p>585.5*331*12mm 2PCS</p>	<p>⑧</p> <p>613*289*15mm 4PCS</p>
<p>⑨</p> <p>628.5*297.5*3mm 2PCS</p>	<p>⑩</p> <p>628.5*297.5*3mm 2PCS</p>	<p>⑪</p> <p>618*10*5mm 2PCS</p>	

Hardware List (EN) / Teile Liste (DE)



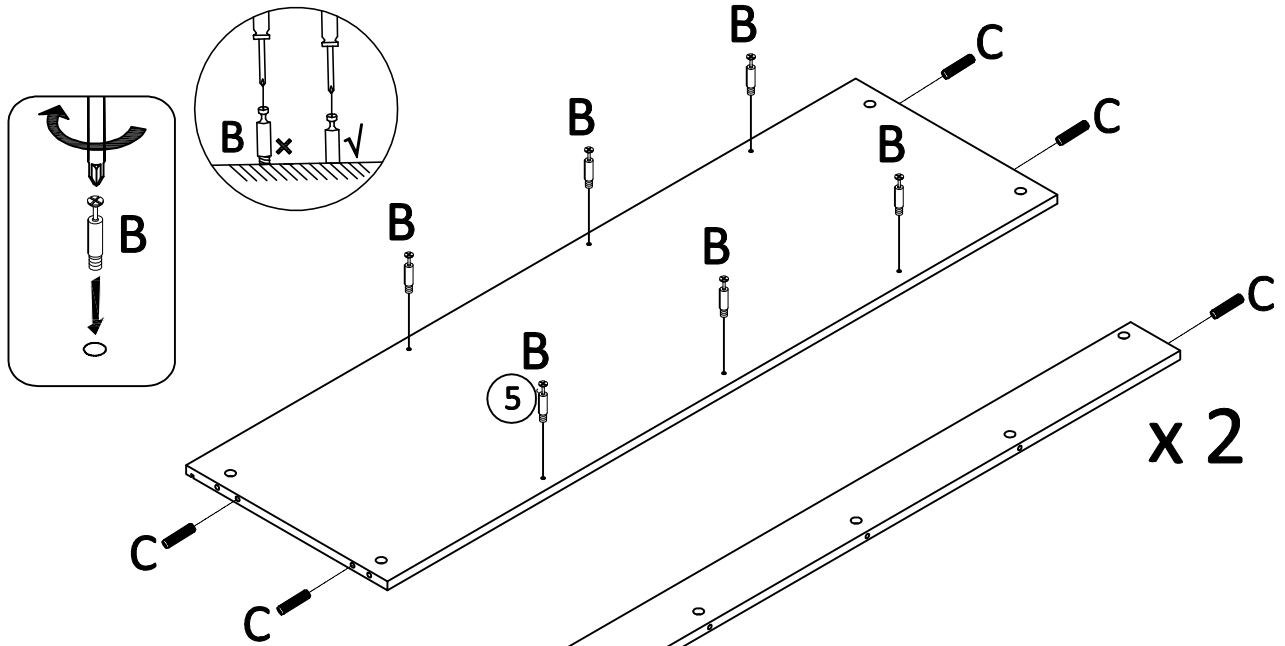
A ⁺¹  Ø15*9mm 22 PCS	B ⁺¹  Ø6*29mm 22 PCS	C ⁺¹  Ø8*30mm 16 PCS	D  M4*20mm 4 PCS
E  φ30*20mm 4PCS	F ⁺¹  Ø3.5*15mm 50PCS	G  Ø10*3mm 4PCS	H  Ø6*17mm 8PCS
I  16*16*11mm 4 PCS	J  Ø3*15mm 4 PCS	K  Ø35 8PCS	L  65*15*35 mm 2PCS
M  Ø4*40mm 2PCS	N  Ø6*30 mm 2PCS	O ⁺¹  15PCS	

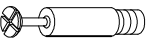

CAM BOLT INSTALLATION AS BELOW:



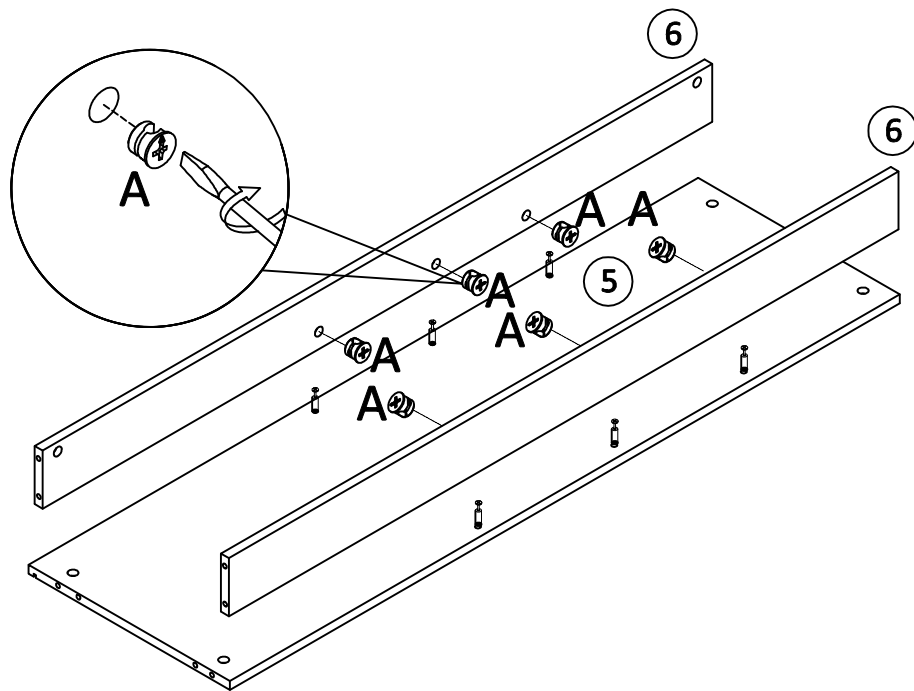
Assembly (EN) /Montageschritte (DE)


STEP 1

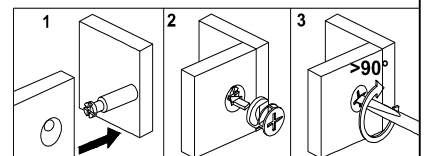


	B * 6 PCS
	C * 8 PCS

STEP 2

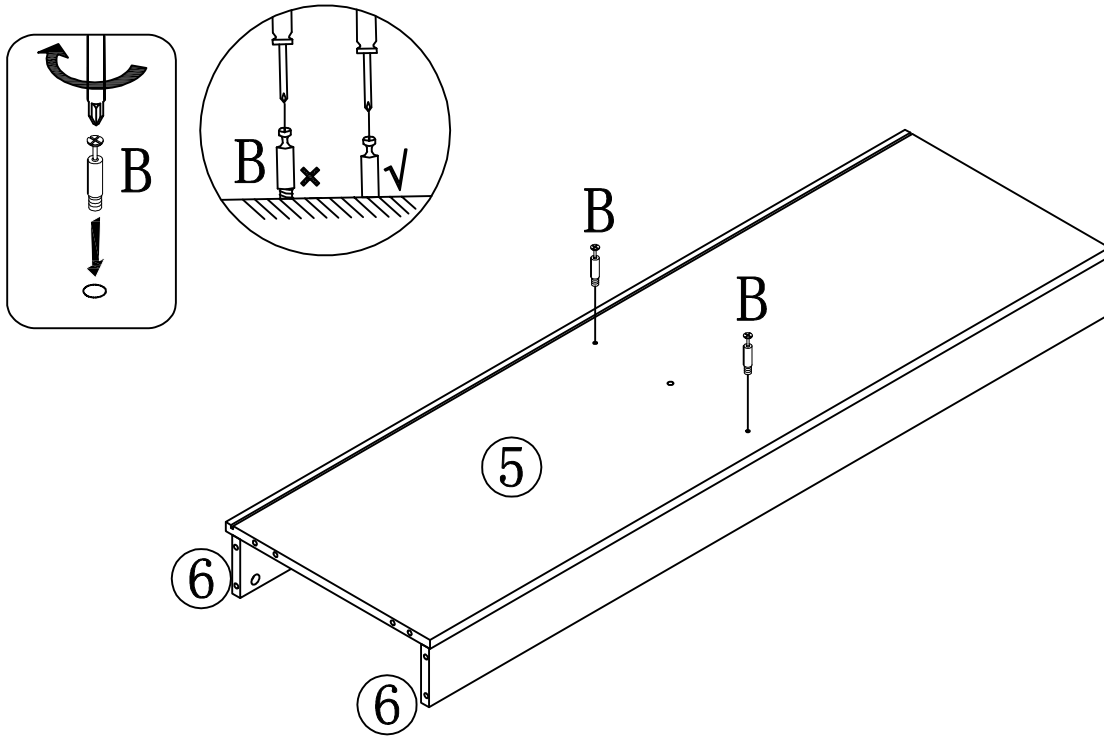


	A * 6 PCS
---	-----------



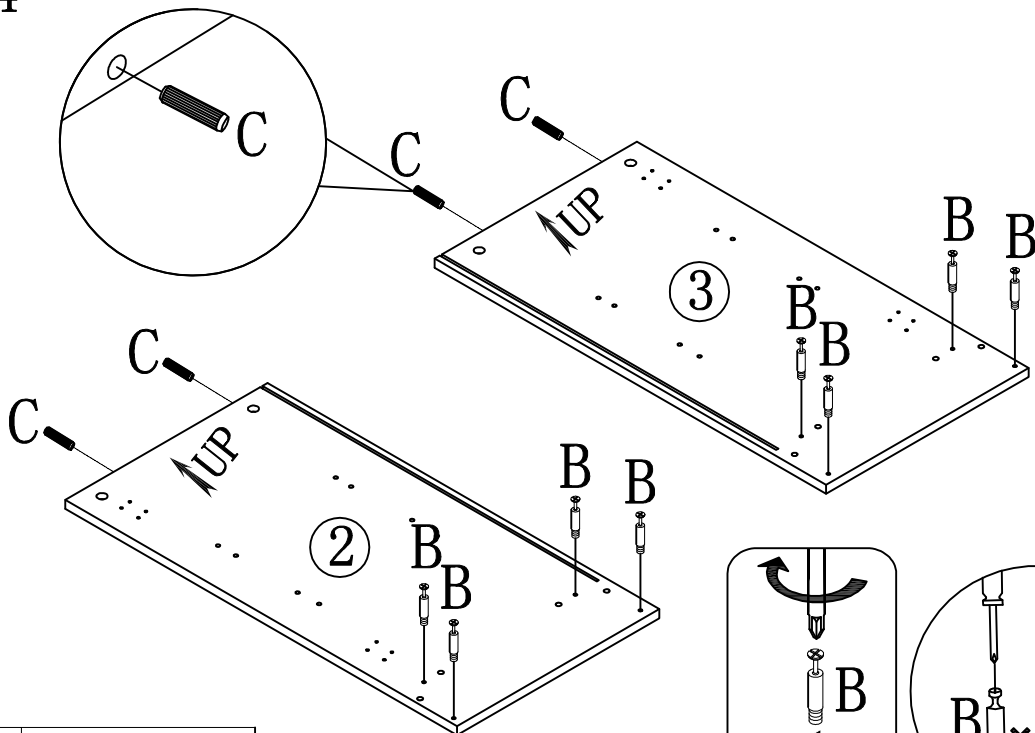
Assembly (EN) / Montageschritte (DE)

STEP 3




	B * 2PCS
---	----------

STEP 4

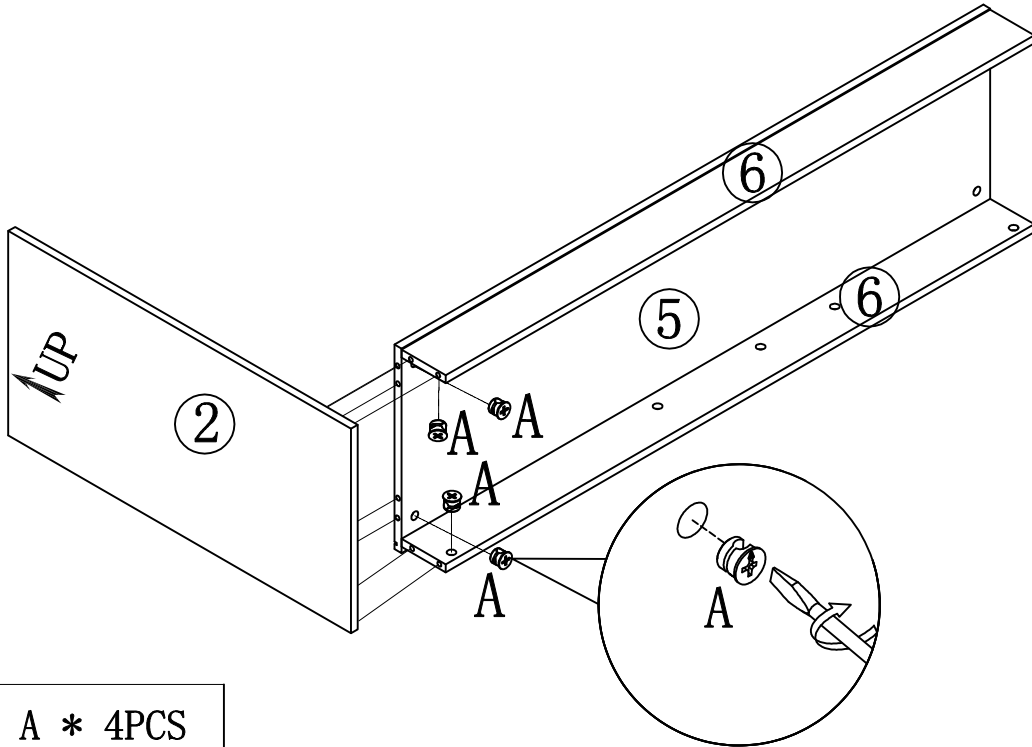
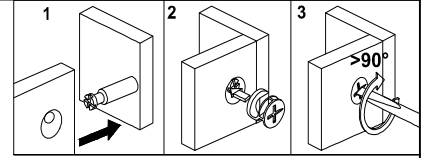


	B * 8PCS
---	----------

	C * 4PCS
---	----------

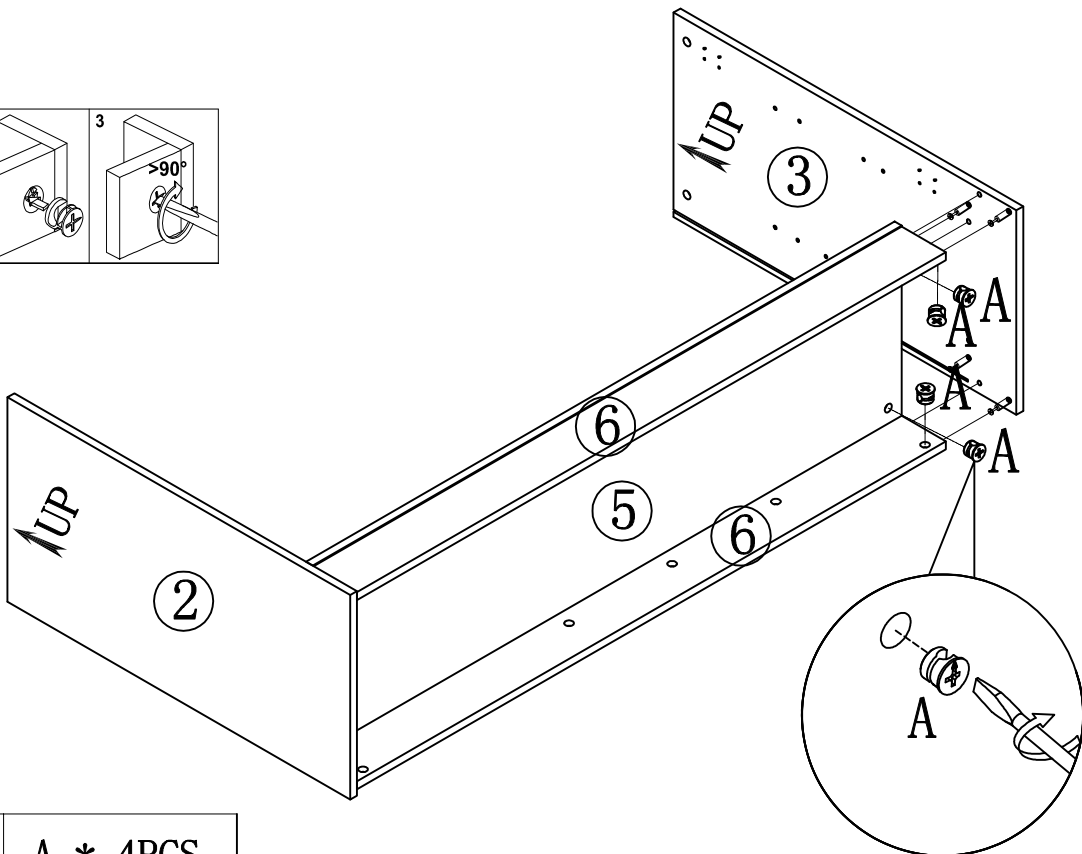
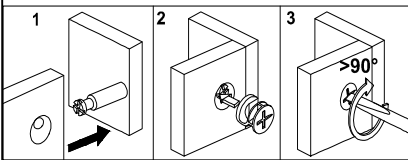
Assembly (EN) /Montageschritte (DE)

STEP 5



A * 4PCS

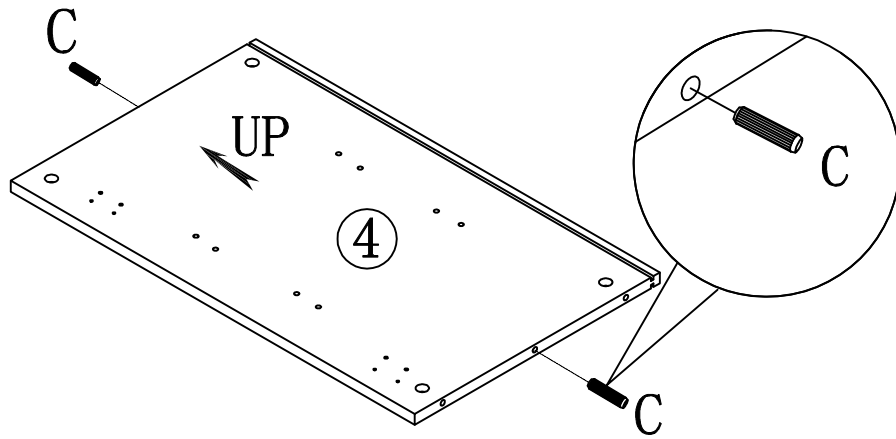
STEP 6



A * 4PCS

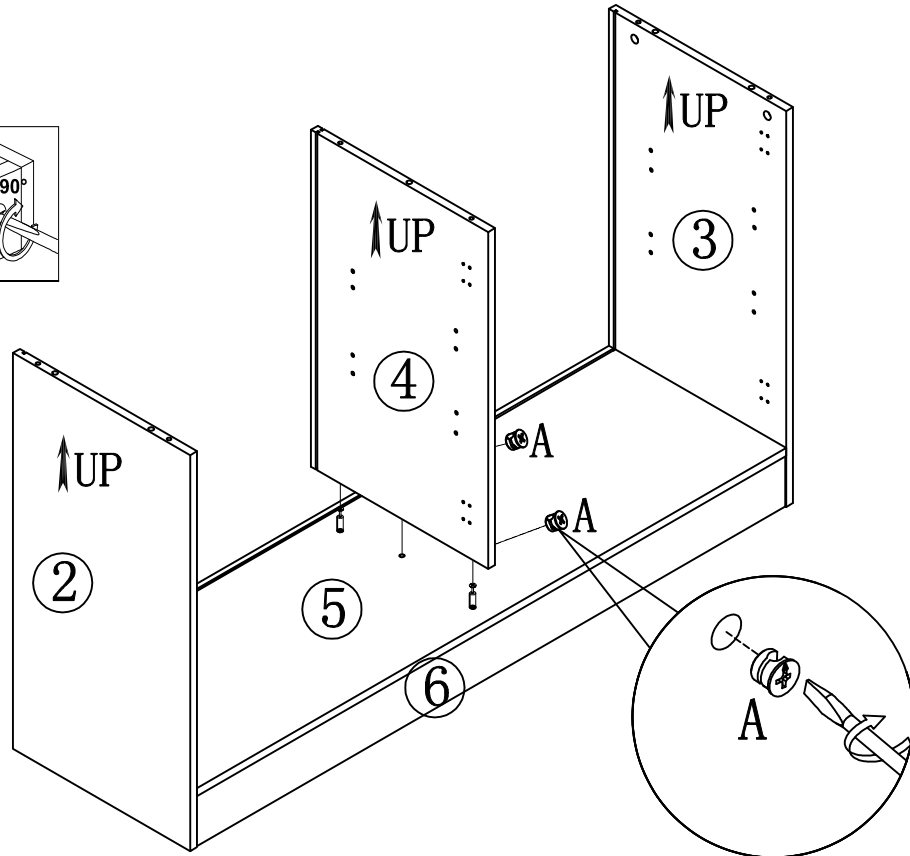
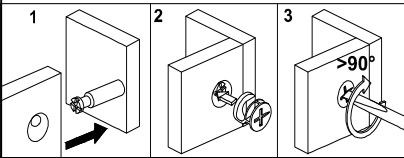
Assembly (EN) /Montageschritte (DE)

STEP 7



C * 2 PCS

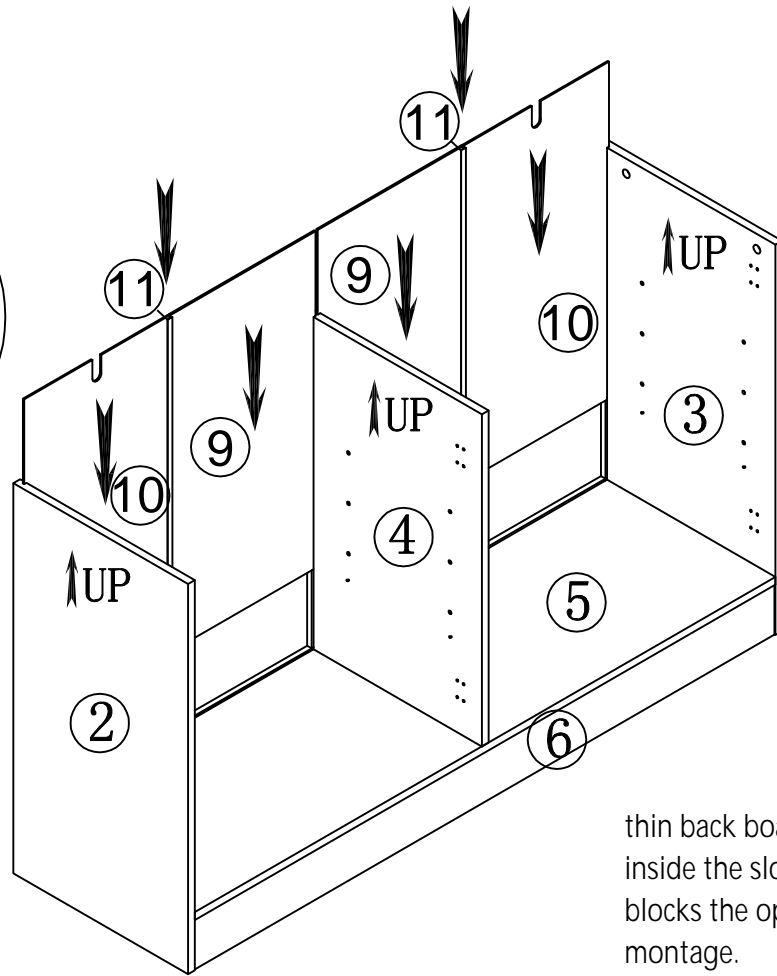
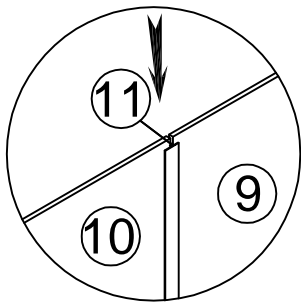
STEP 8



A * 2PCS

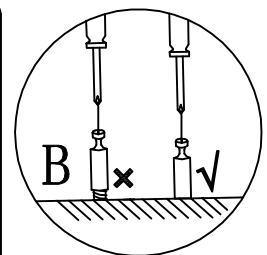
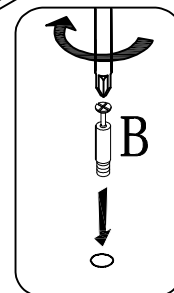
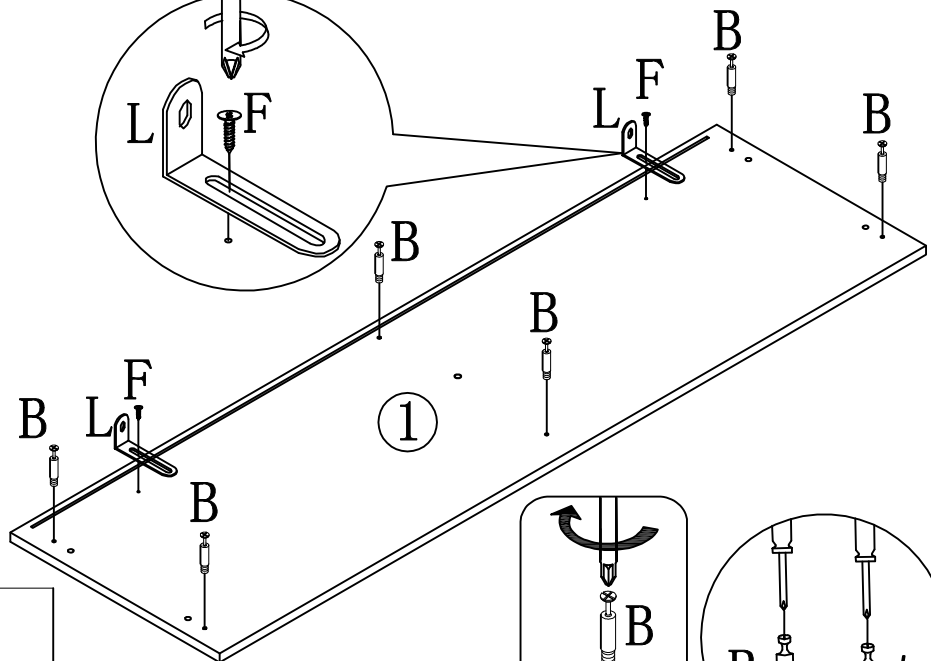
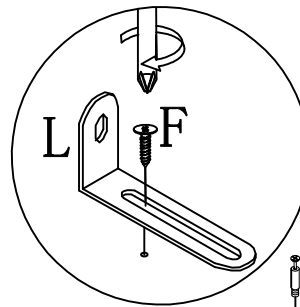
Assembly (EN) /Montageschritte (DE)

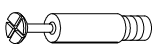


STEP 9



thin back board needs to be inside the slot, otherwise blocks the opposite plate montage.

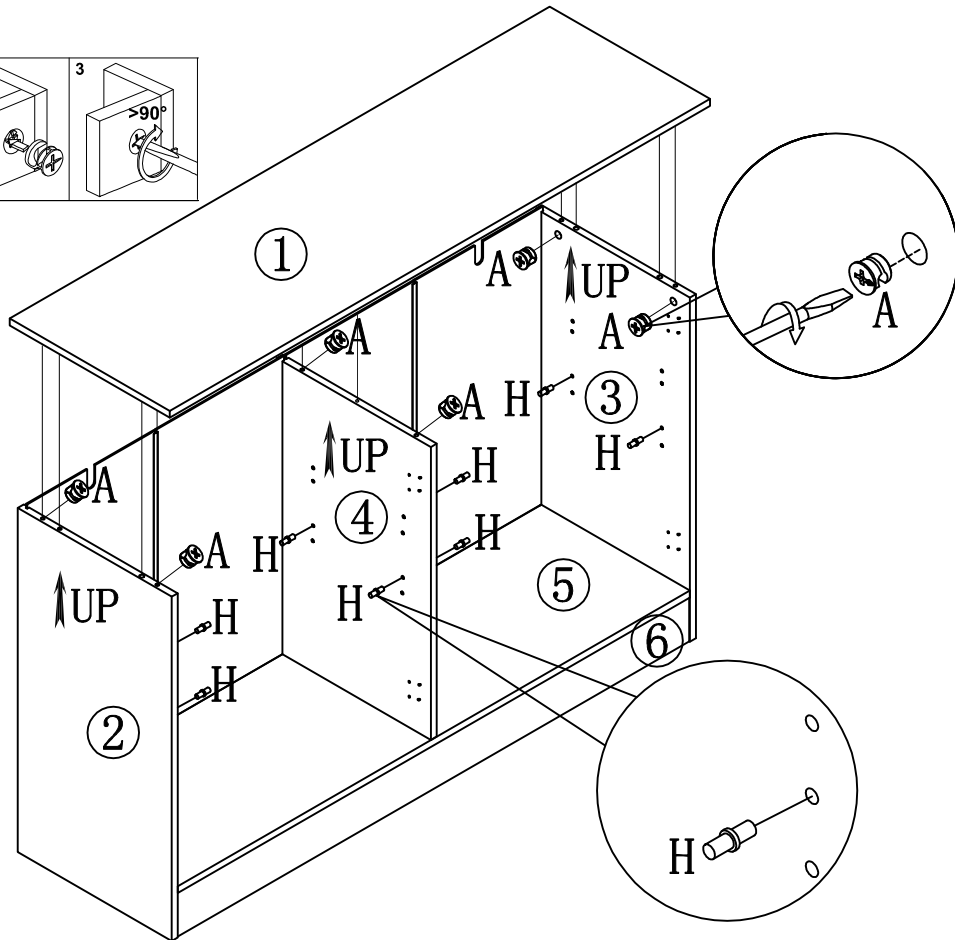
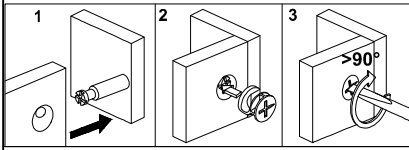
STEP 10



	B *6PCS
	F * 2PCS
	L * 2PCS

Assembly (EN) / Montageschritte (DE)

STEP 11

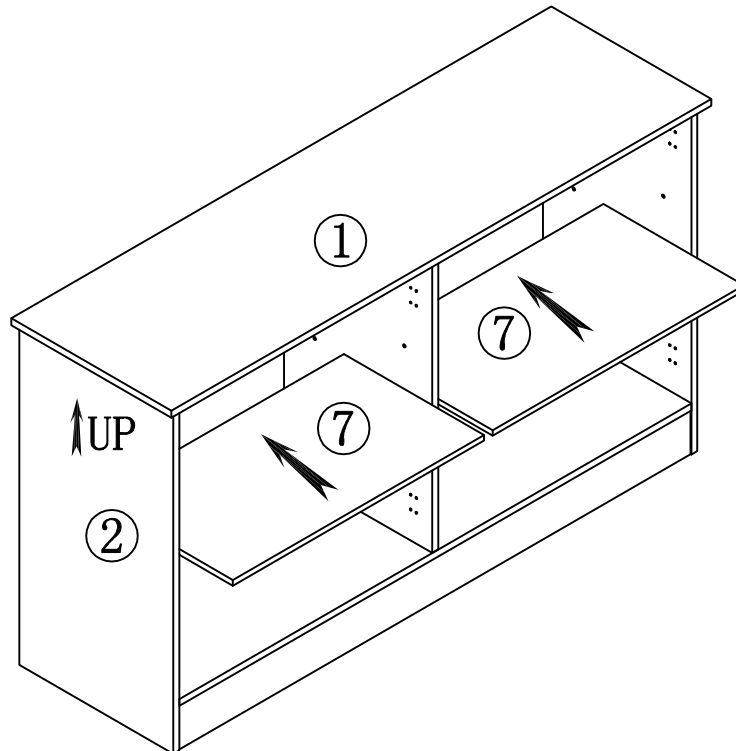


A * 6PCS



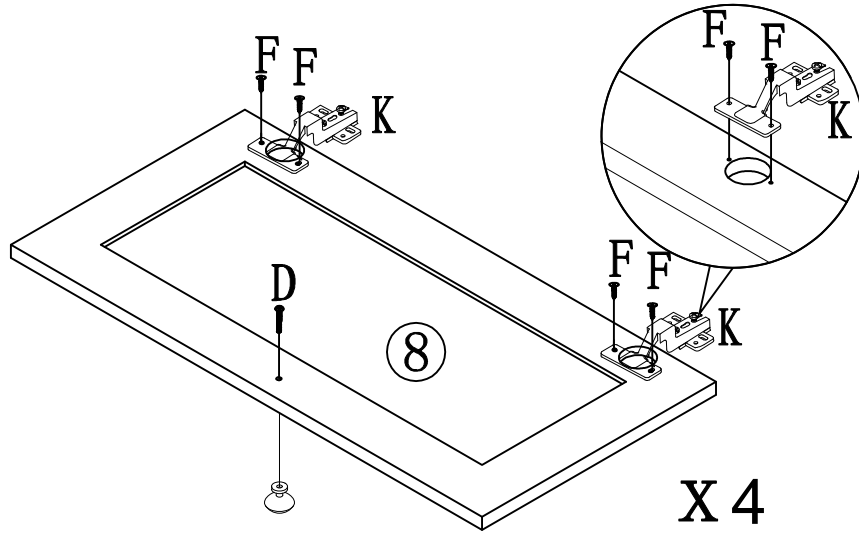
H * 8PCS




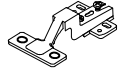
STEP 12



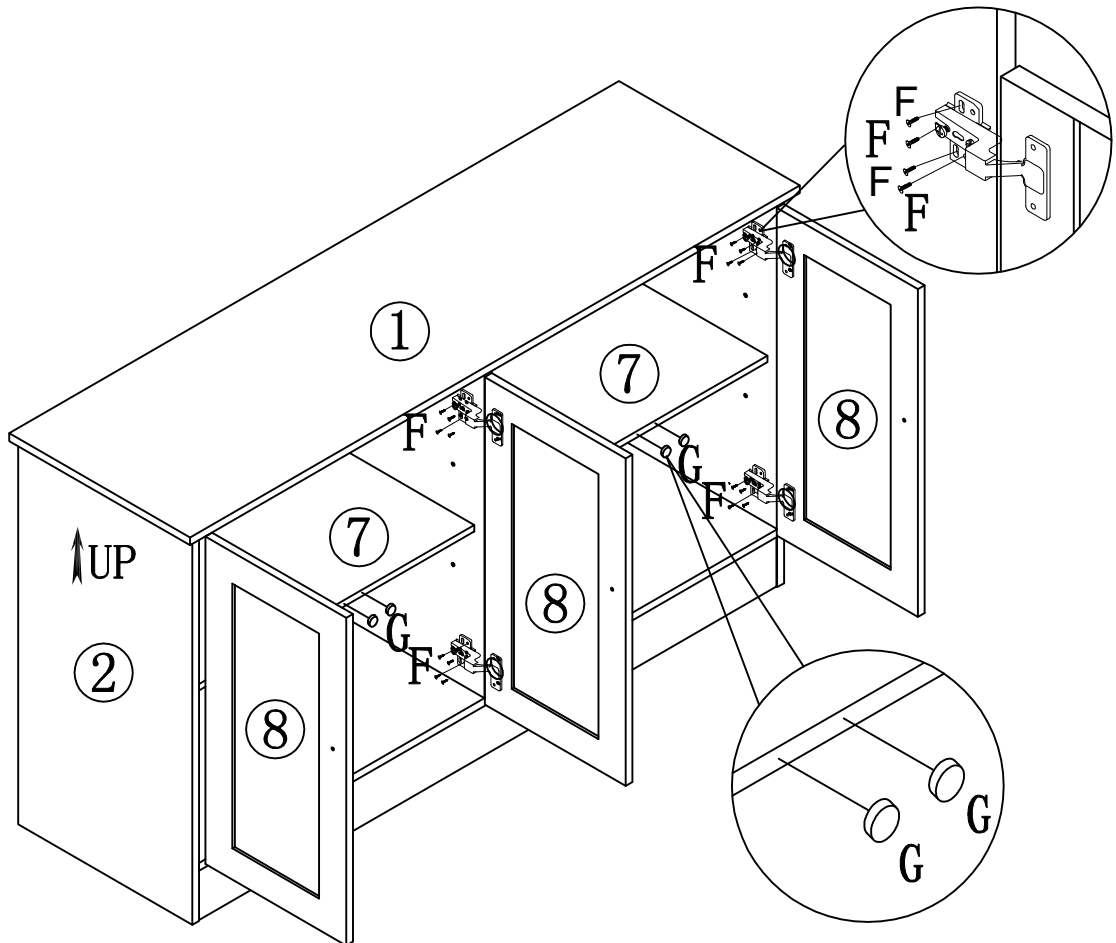
Assembly (EN) /Montageschritte (DE)



STEP 13



	D * 4 PCS		F * 16PCS
	E * 4 PCS		K * 8 PCS

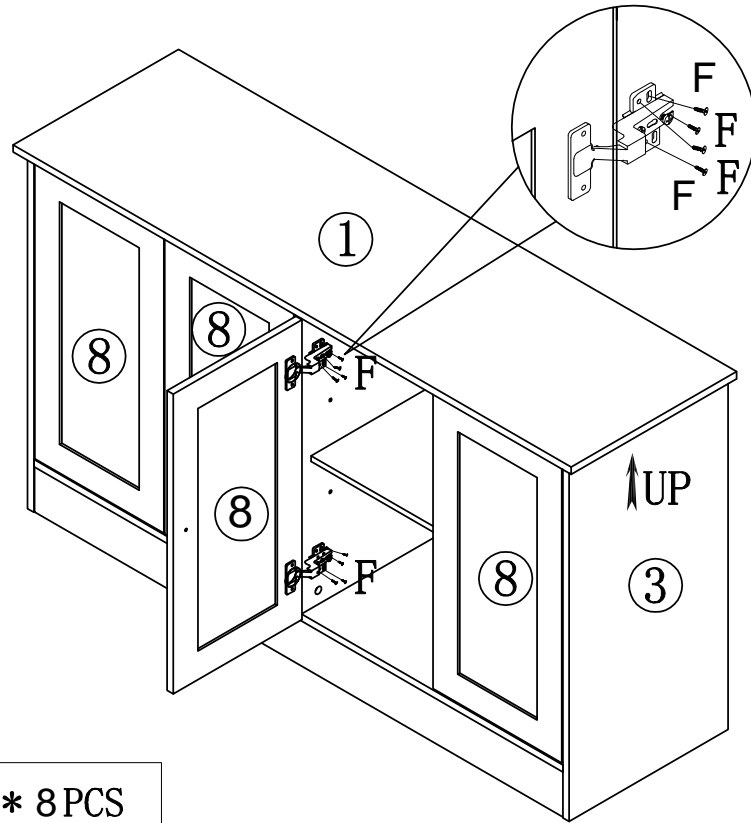
STEP 14



	F * 24 PCS		G * 4PCS
---	------------	---	----------

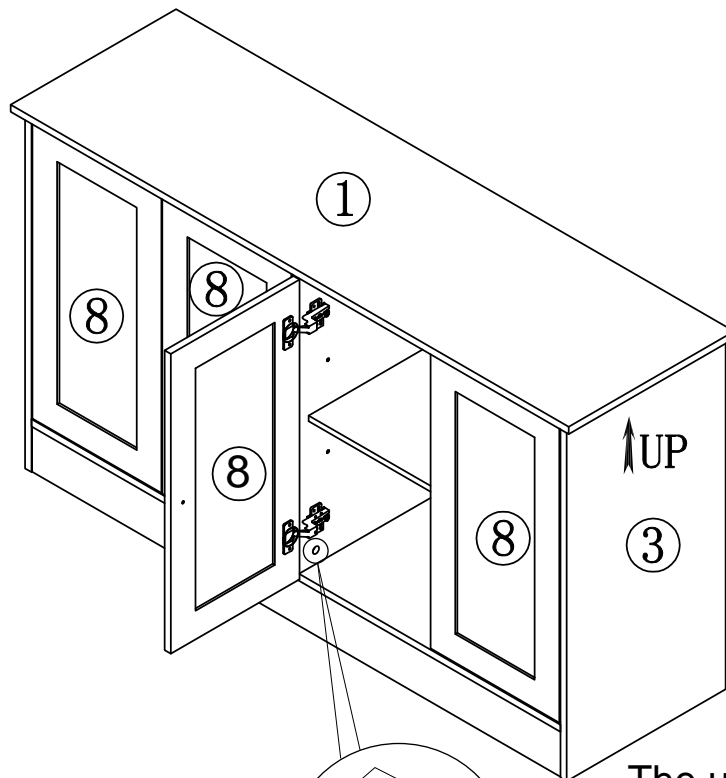
Assembly (EN) /Montageschritte (DE)

STEP 15



F * 8 PCS

STAP 16



The upper and lower holes in these three places can be attached with hole sticker O.



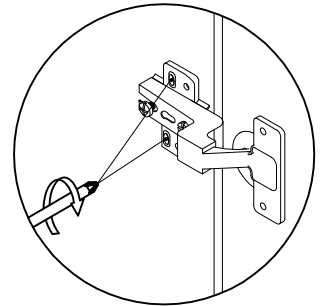
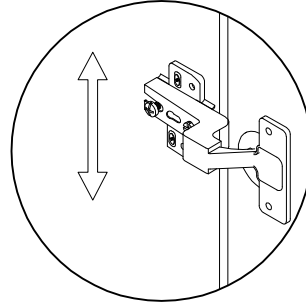
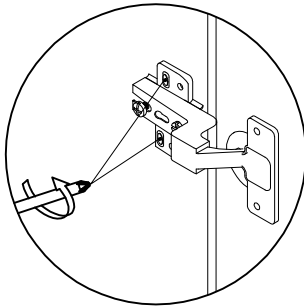
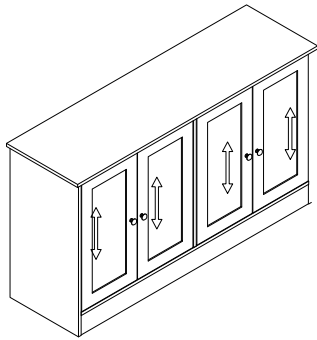
O*15PCS

Assembly (EN) /Montageschritte (DE)

STEP 17



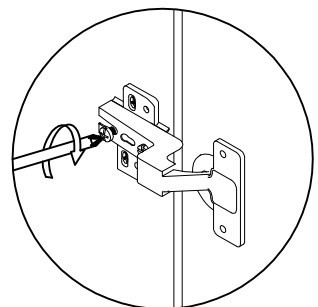
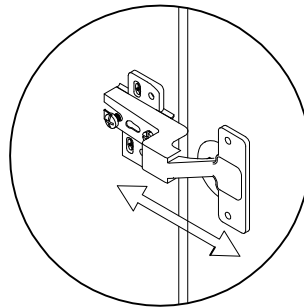
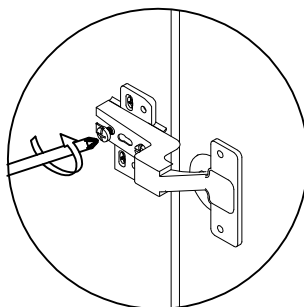
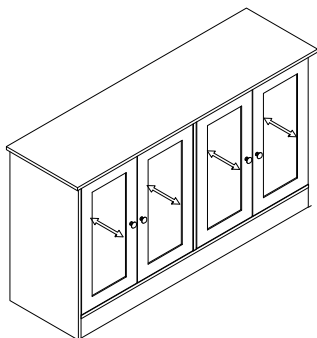
NOTE : If you notice that the cabinet doors are not properly aligned, such as significant gaps or vertical or horizontal misalignment, please adhere to the following adjustment instructions.



lose these 2 screws

move hinge up/down

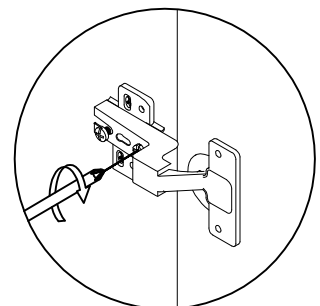
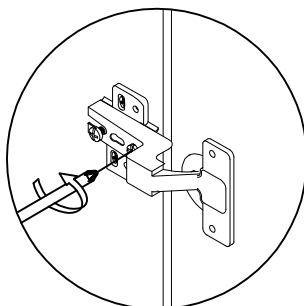
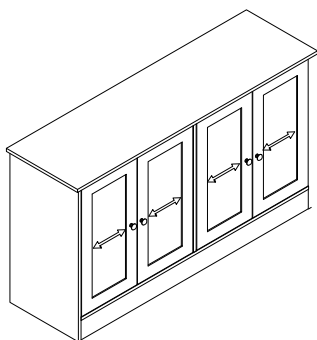
tighten these 2 screws again



lose this screw

shift hinge in/out

tighten this screw again

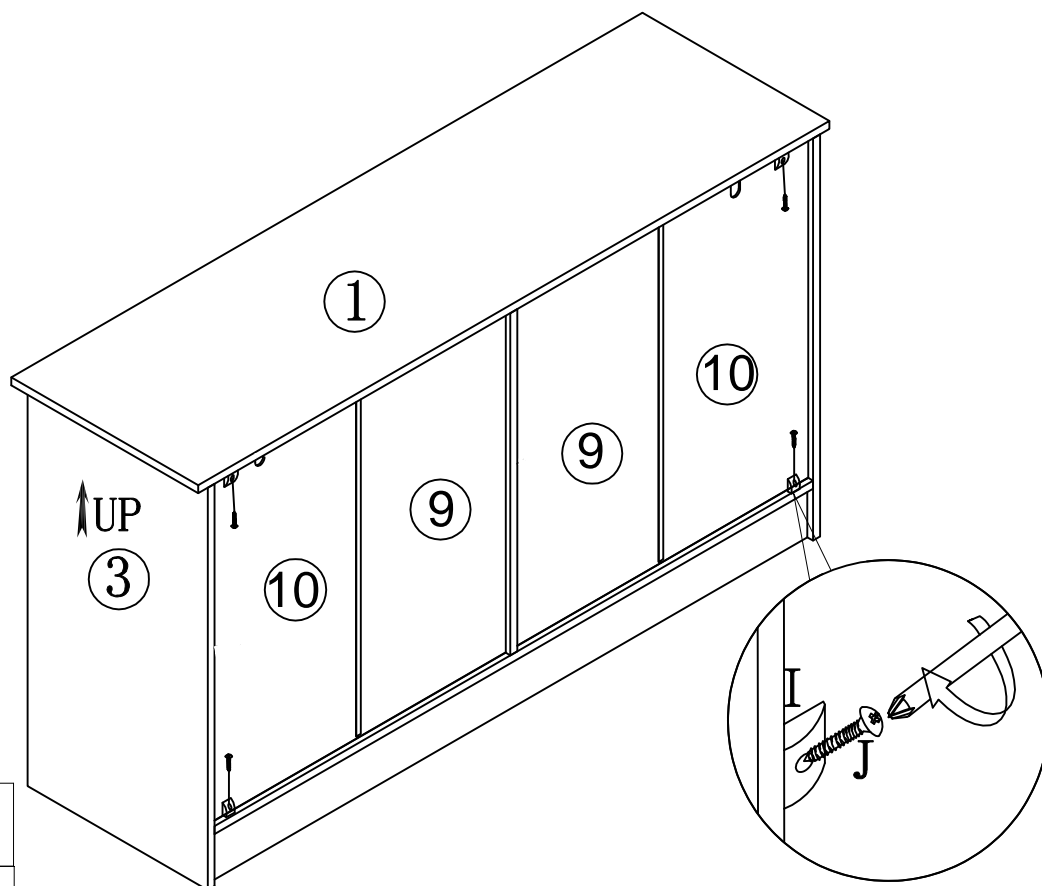


lose this screw would get hinge/door closer to side board

tighten this screw would get hinge/door away from side board

Assembly (EN) /Montageschritte (DE)

STEP 18

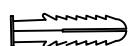
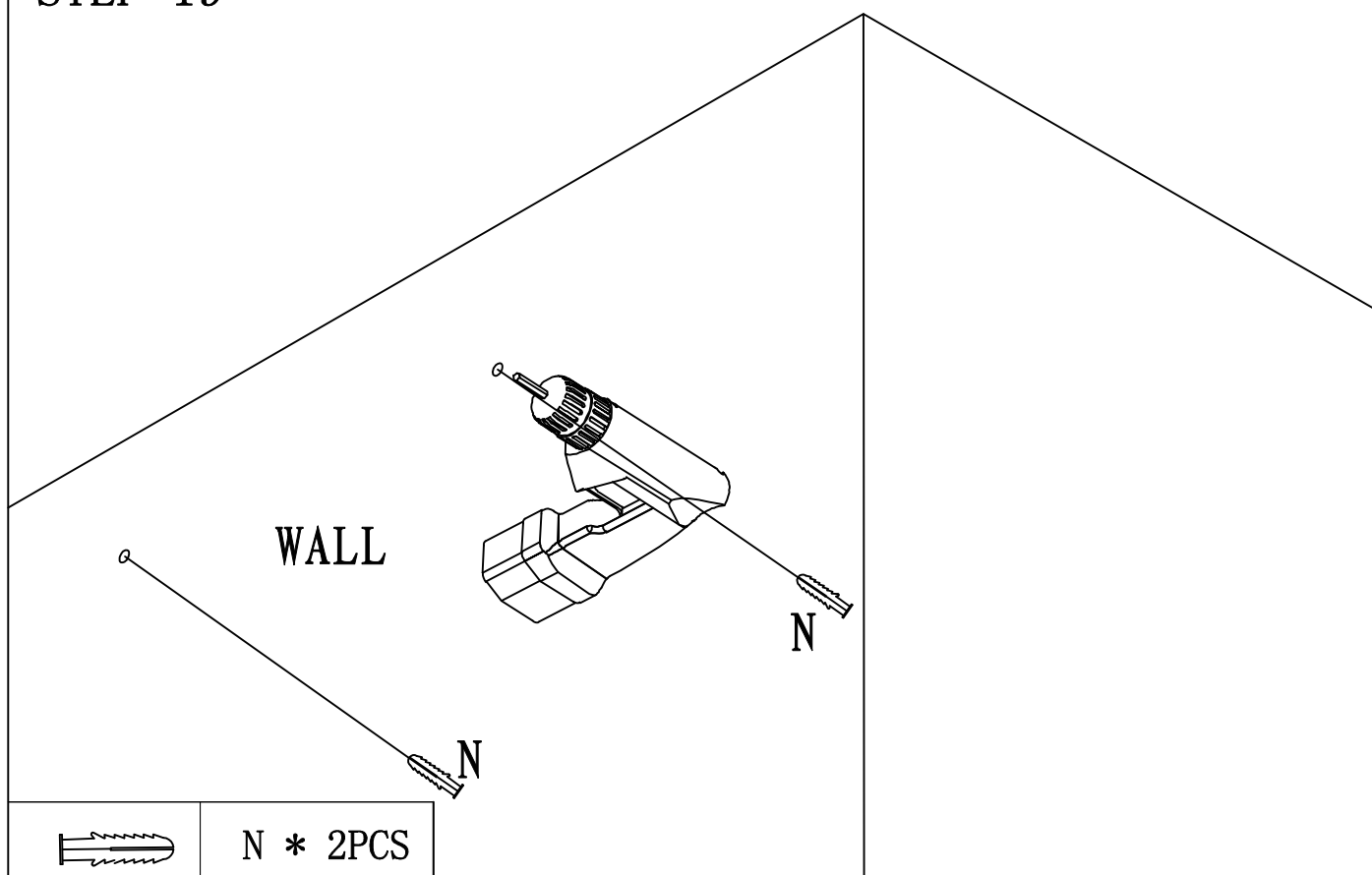


I * 4 PCS



J * 4 PCS

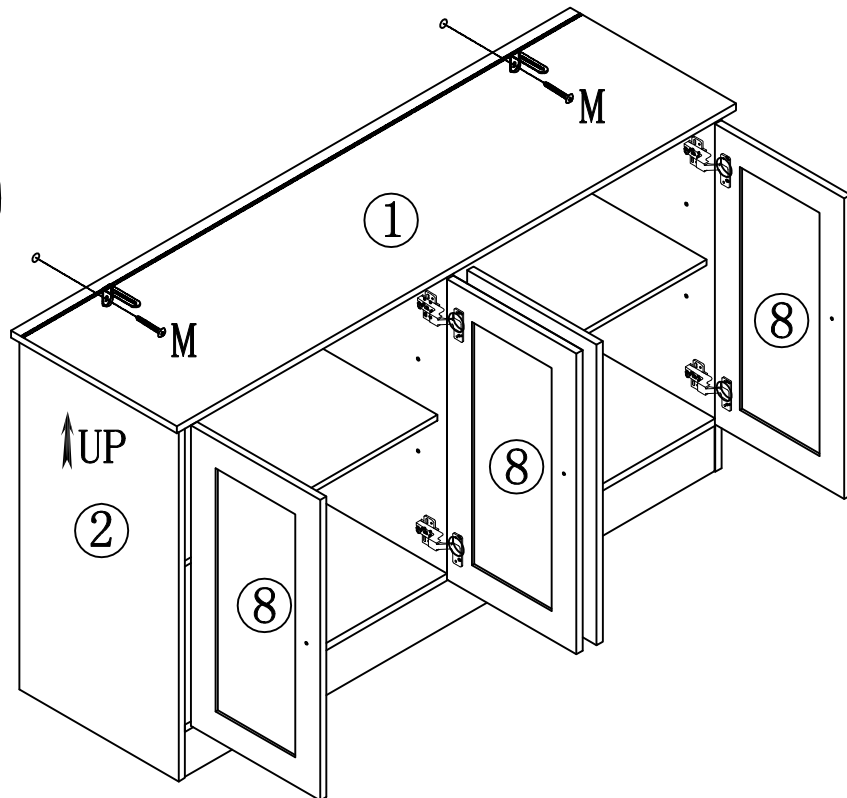
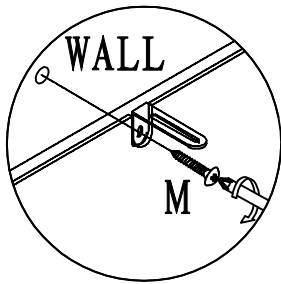
STEP 19



N * 2PCS

Assembly (EN) /Montageschritte (DE)

STEP 20



Note: Toppling preventer must be installed other wise there is a risk of tipping.



M *2PCS

STEP 21

