

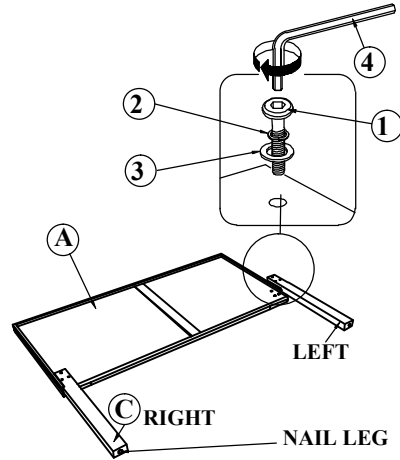
# ASSEMBLY INSTRUCTION

**STEP 1** Attach Head Board Leg ( C ) to Head Board ( A ) as shown using JCBC BOLT( 1 )with Spring Washer ( 2 ), Flat washer ( 3 ) and securing with ALLEN KEY ( 4 ).

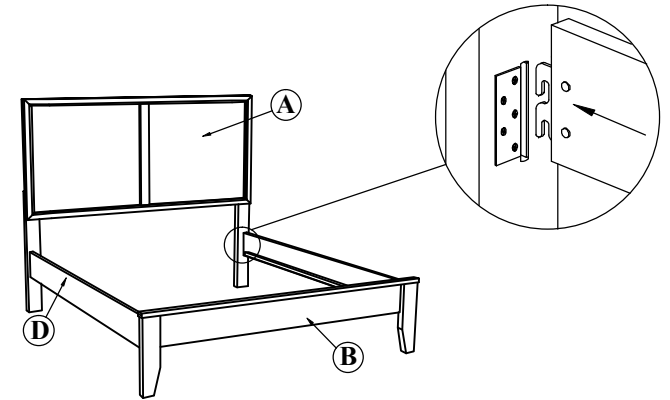
**(BOX 1)**

BOX OF HEADBOARD

NO	ITEM	QTY
A	HEADBOARD	1 PC
B	FOOTBOARD	1 PC
C	HB LEG L&R	2 PCS
D	SLAT	3 PCS
E	BED SLAT SUPPORT	3 PCS



**STEP 2 :** Hook SIDE RAIL ( F ) TO HEAD BOARD ( A ) closely and push down to fit. repeat step 2 with other end of rail to hook onto FOOTBOARD ( B ).



**(BOX 2)**

BOX OF SIDE RAIL

NO	ITEM	QTY
F	SIDE RAIL	2 PCS

**STEP 3** Fix the Bed Slats Support ( E ) to Bed Slats ( D ) as Shown and fix the Bed Slats to Side Rail ( F ) by using Flat Head Chipboard Screw ( 5 ). Loosen or Tighten the Adjuster as necessary to level the bed. Bed assembly should be done in final location to ensure stability.

**(BOX 1)**

HARDWARE LIST

NO	ITEM	QTY
1	JCBC BOLT M6 x 30MM BLK	6 PCS
2	SPRING WASHER 1/4" RBW	6 PCS
3	FLAT WASHER 1/4" ID x 13mmOD BLK	6 PCS
4	ALLEN KEY m4 x 65mm BLK	1 PC
5	FLAT HEAD CHIPBOARD SCREW m4 x 32mm RBW	6 PCS

