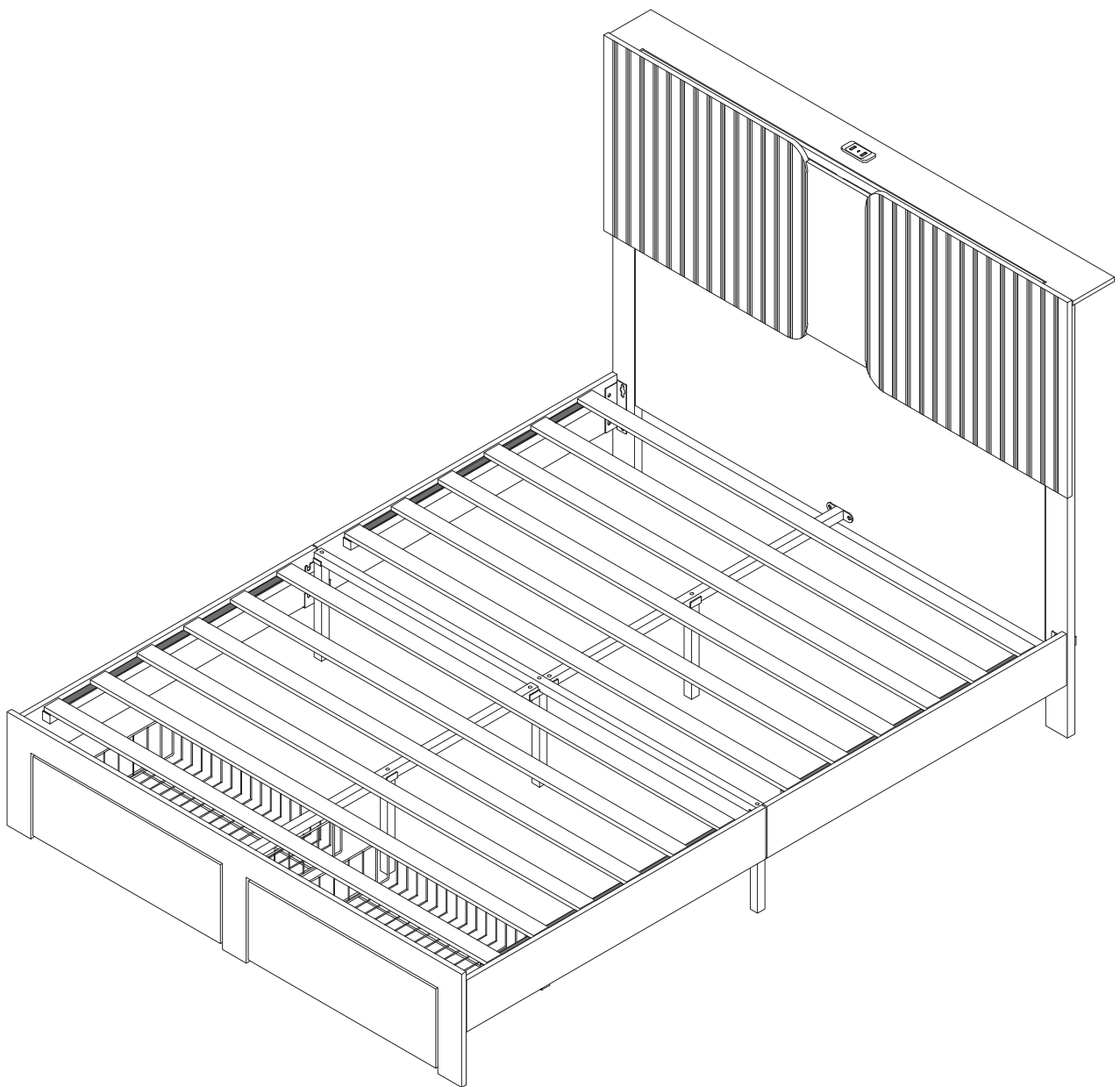


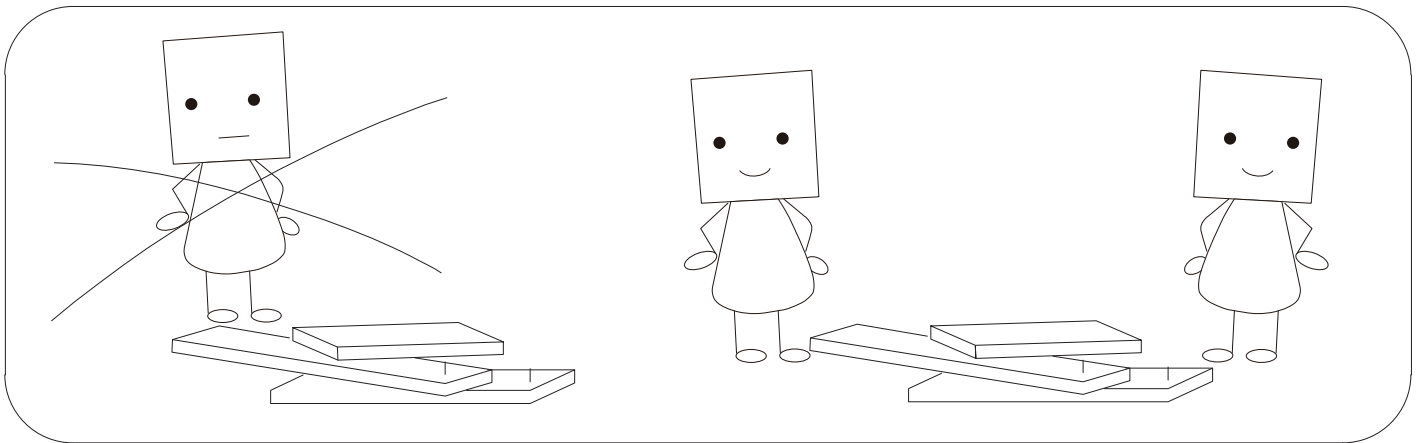
# ASSEMBLY INSTRUCTION



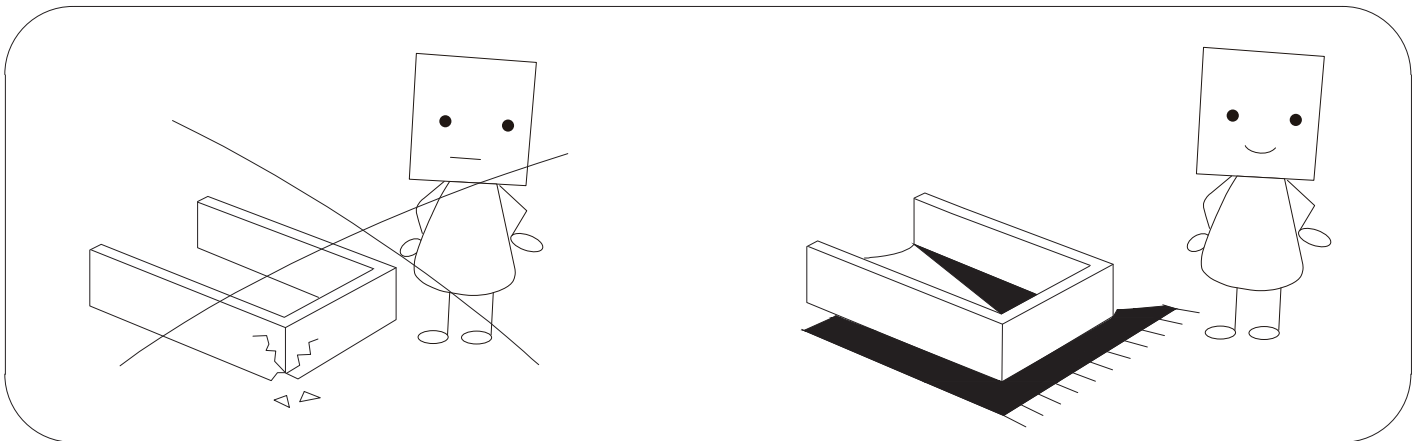


# WARNING

Need Two Or More People To Complete

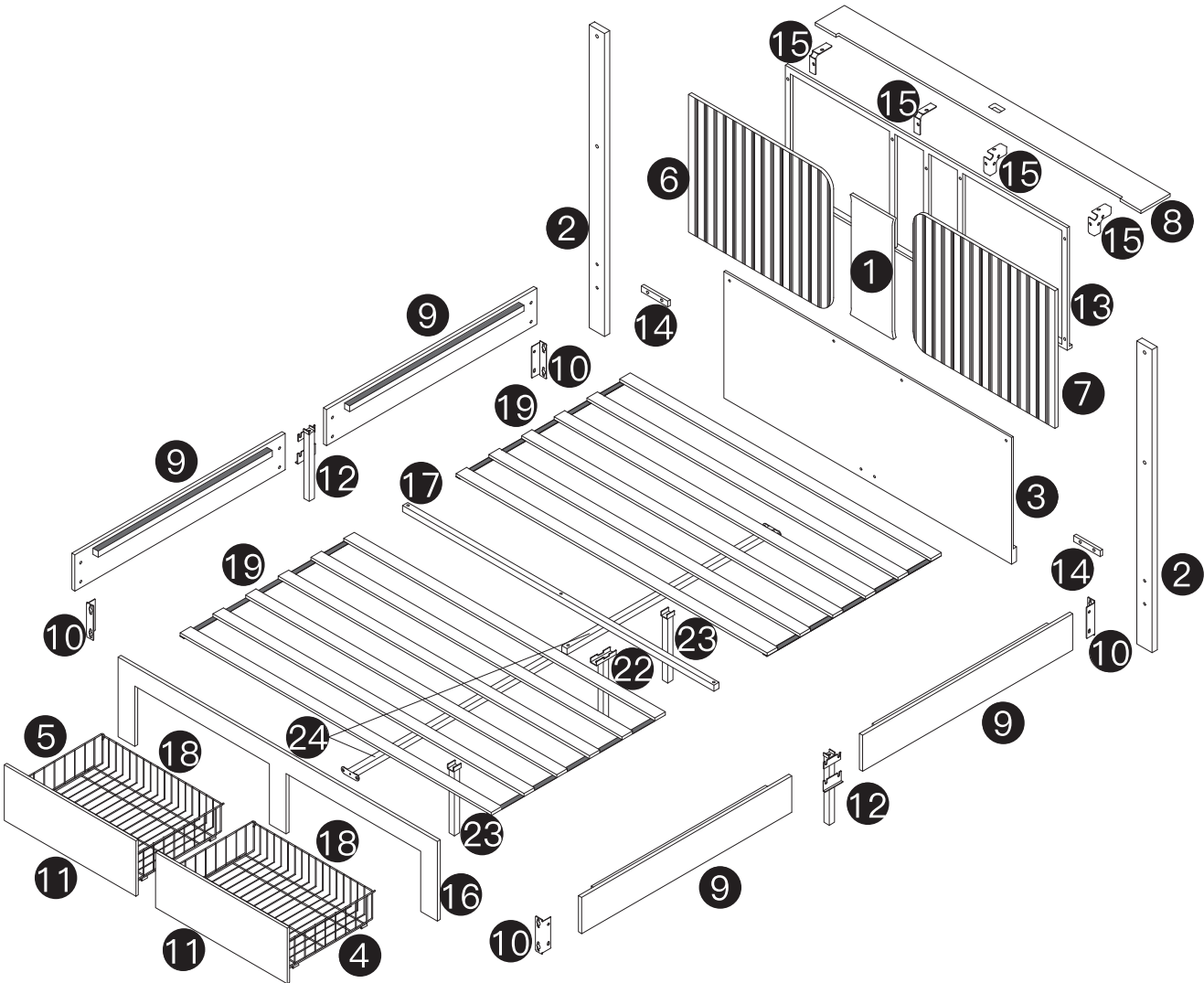


Assemble Item On a Clean Flat Surface



- Please check you have all hardware before assembling.
- Please ensure you have the name of the item and hardware part required and quantity.
- If you have any questions, please contact us by original purchase platform.  
we will reply you ASAP.

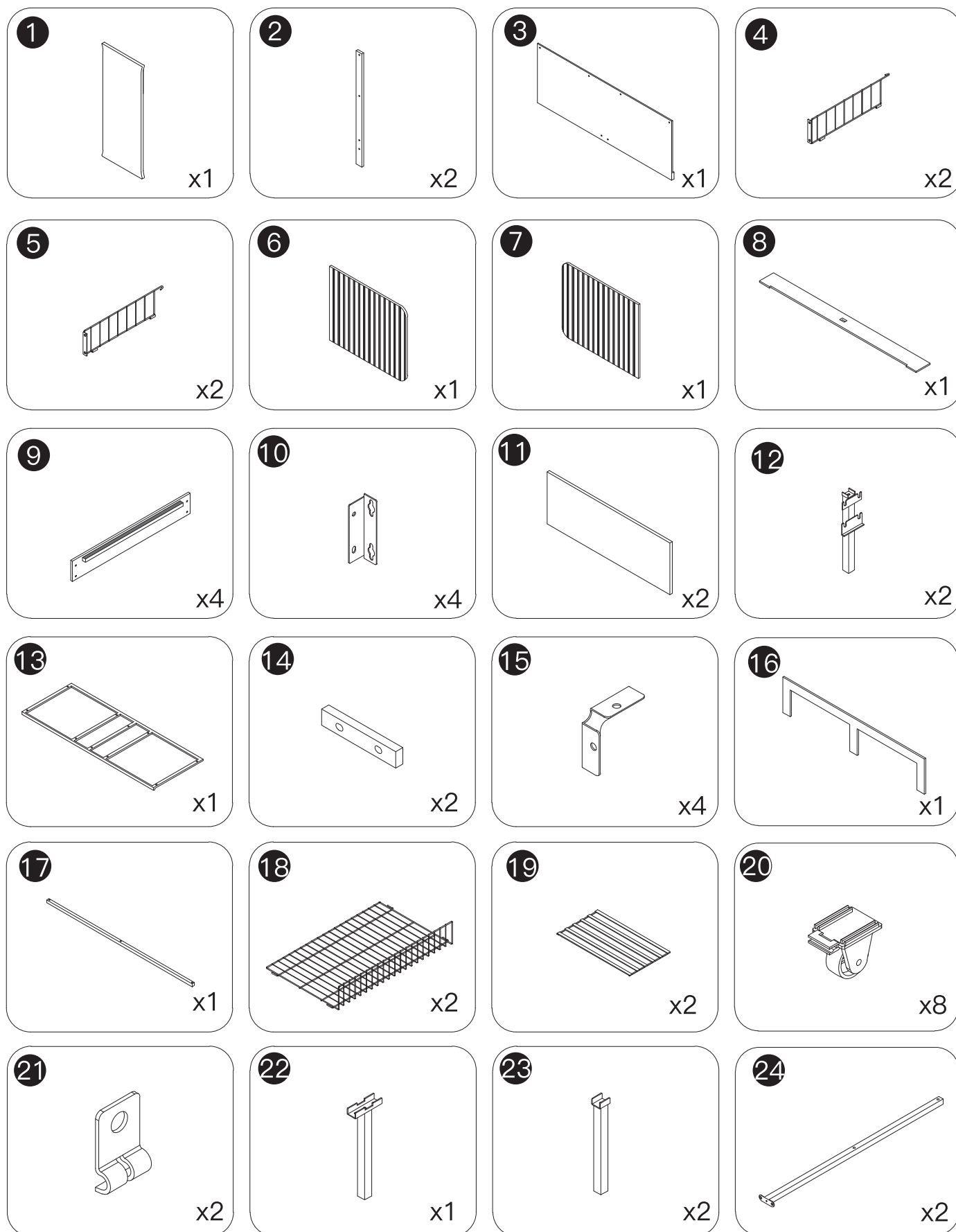
# EXPLODED DRAWING:

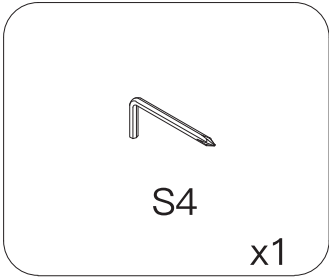
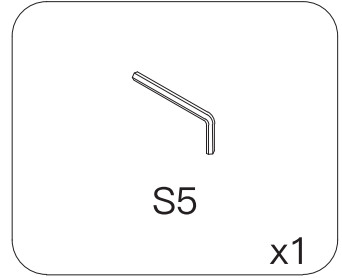
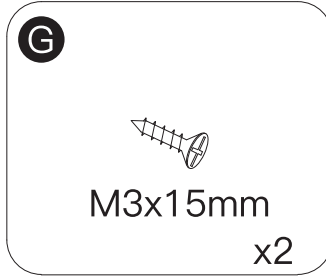
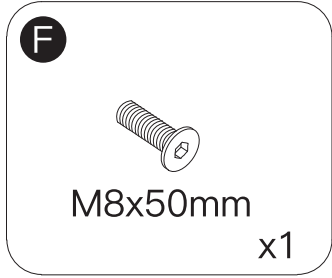
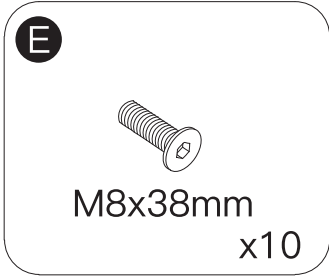
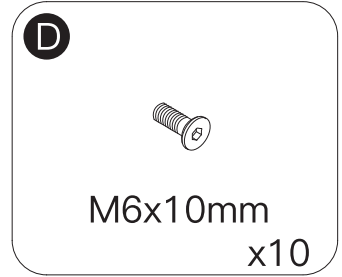
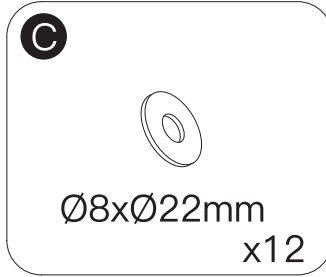
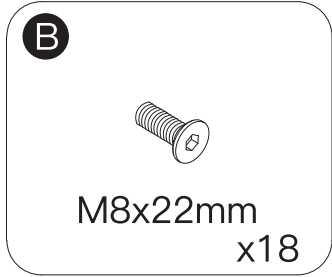
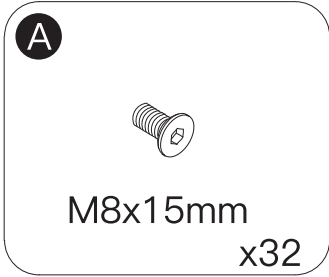
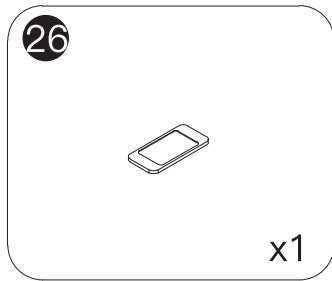
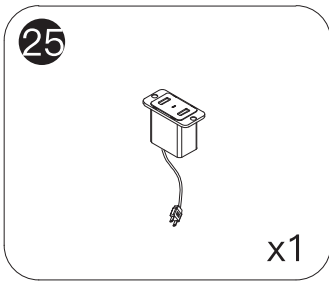


Please check all parts and accessories according to the parts list before assembling, make sure all contents are sufficient and in good condition.

If there is any parts missing or defective, please contact us with purchase platform message immediately to get replacement parts.

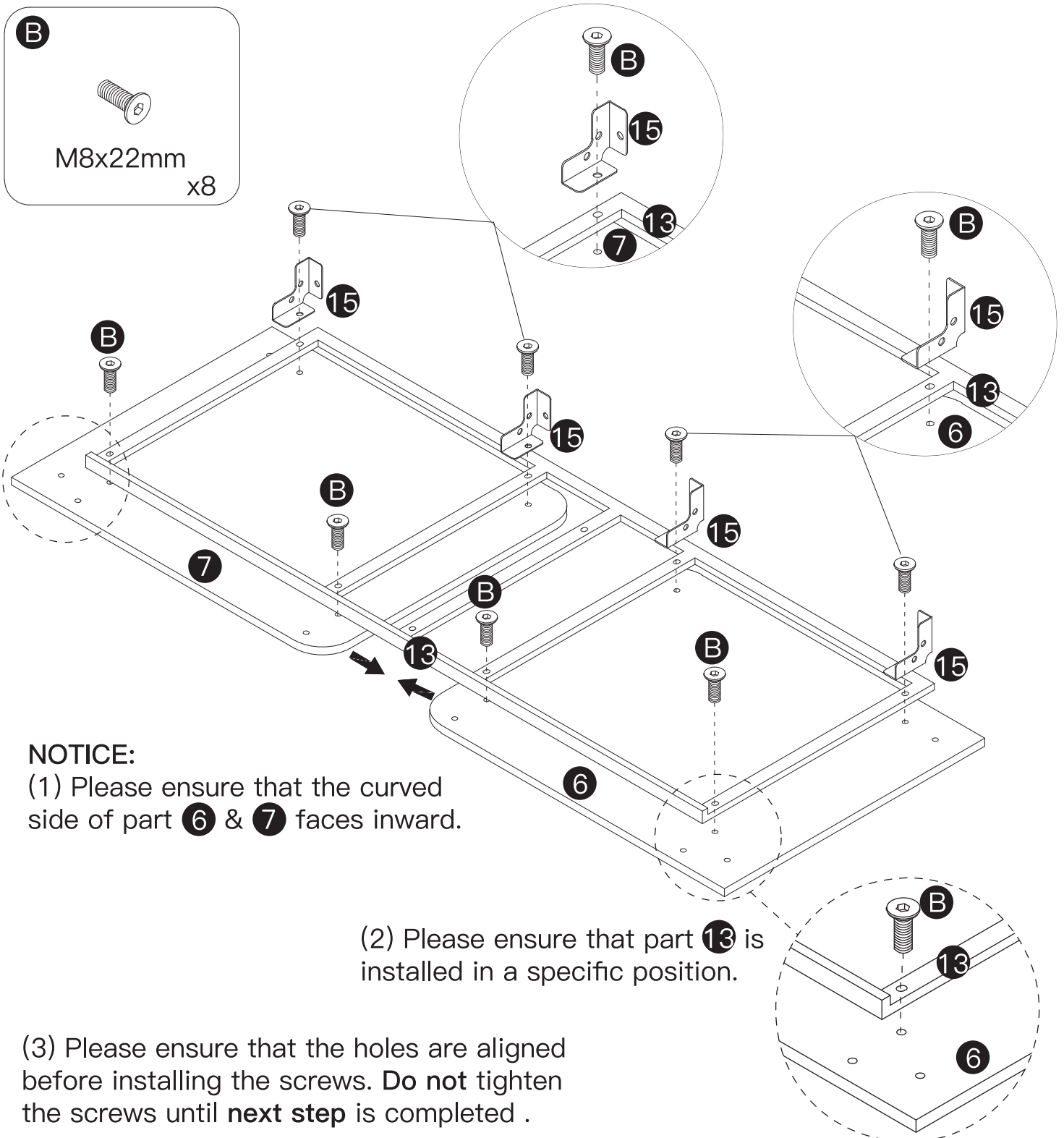
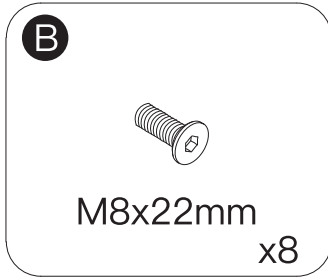
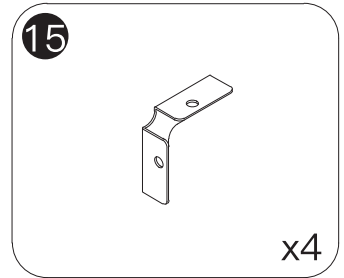
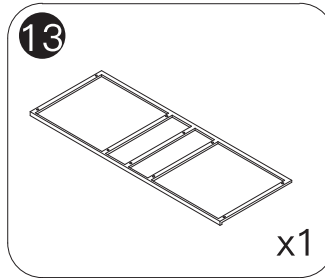
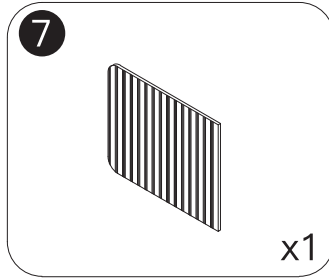
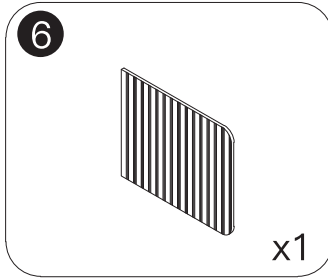
## PARTS:





# HOW TO INSTALL

## STEP 1



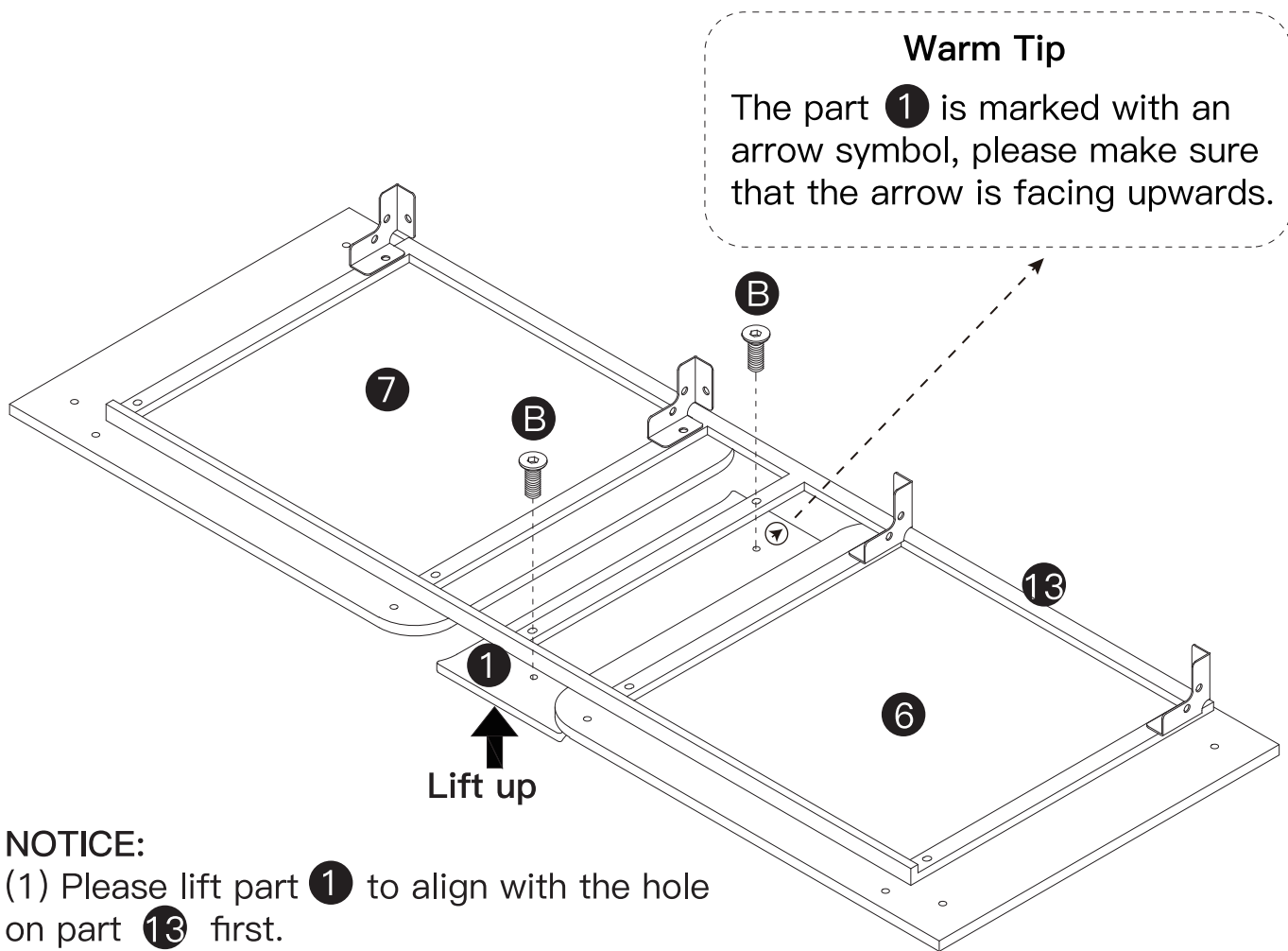
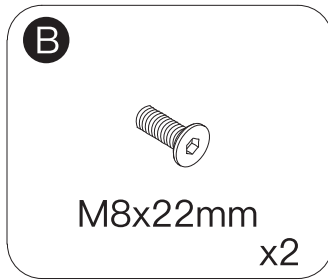
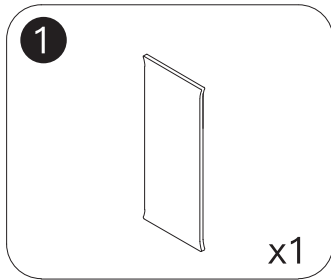
### NOTICE:

(1) Please ensure that the curved side of part 6 & 7 faces inward.

(2) Please ensure that part 13 is installed in a specific position.

(3) Please ensure that the holes are aligned before installing the screws. Do not tighten the screws until next step is completed.

## STEP 2



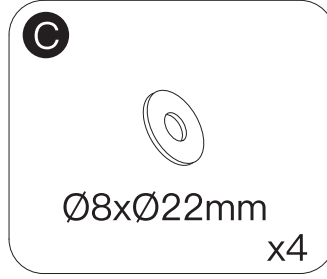
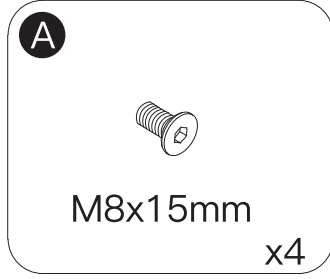
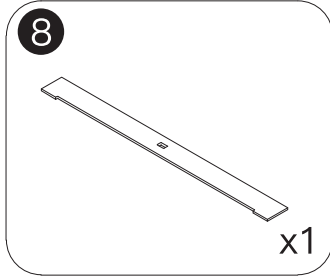
### NOTICE:

(1) Please lift part 1 to align with the hole on part 13 first.

(2) Use one screw to slightly secure part 1, then install another screw.

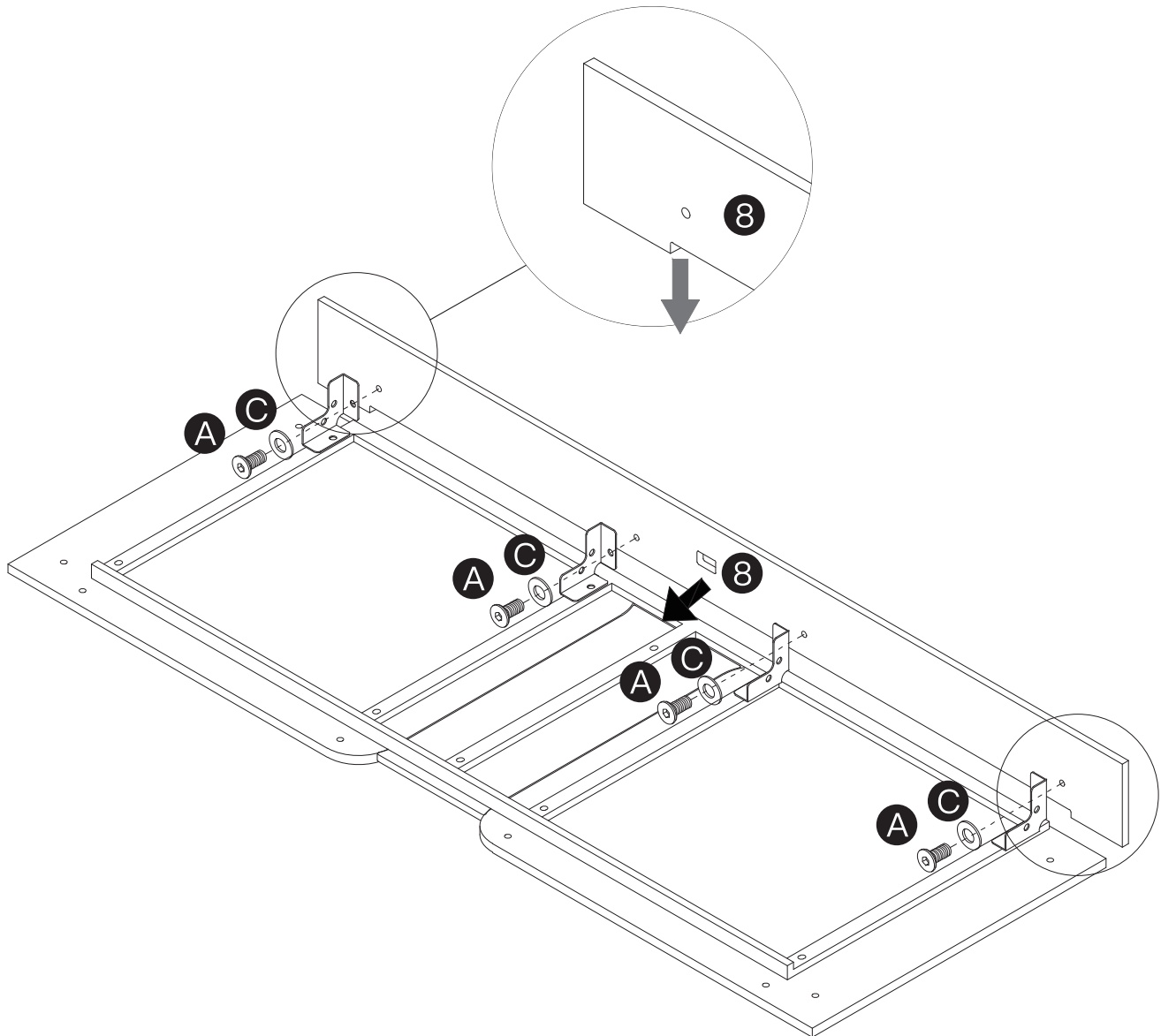
(3) Please ensure that part 1 is smoothly embedded in the middle of parts 6 & 7 before tightening the screws.

# STEP 3

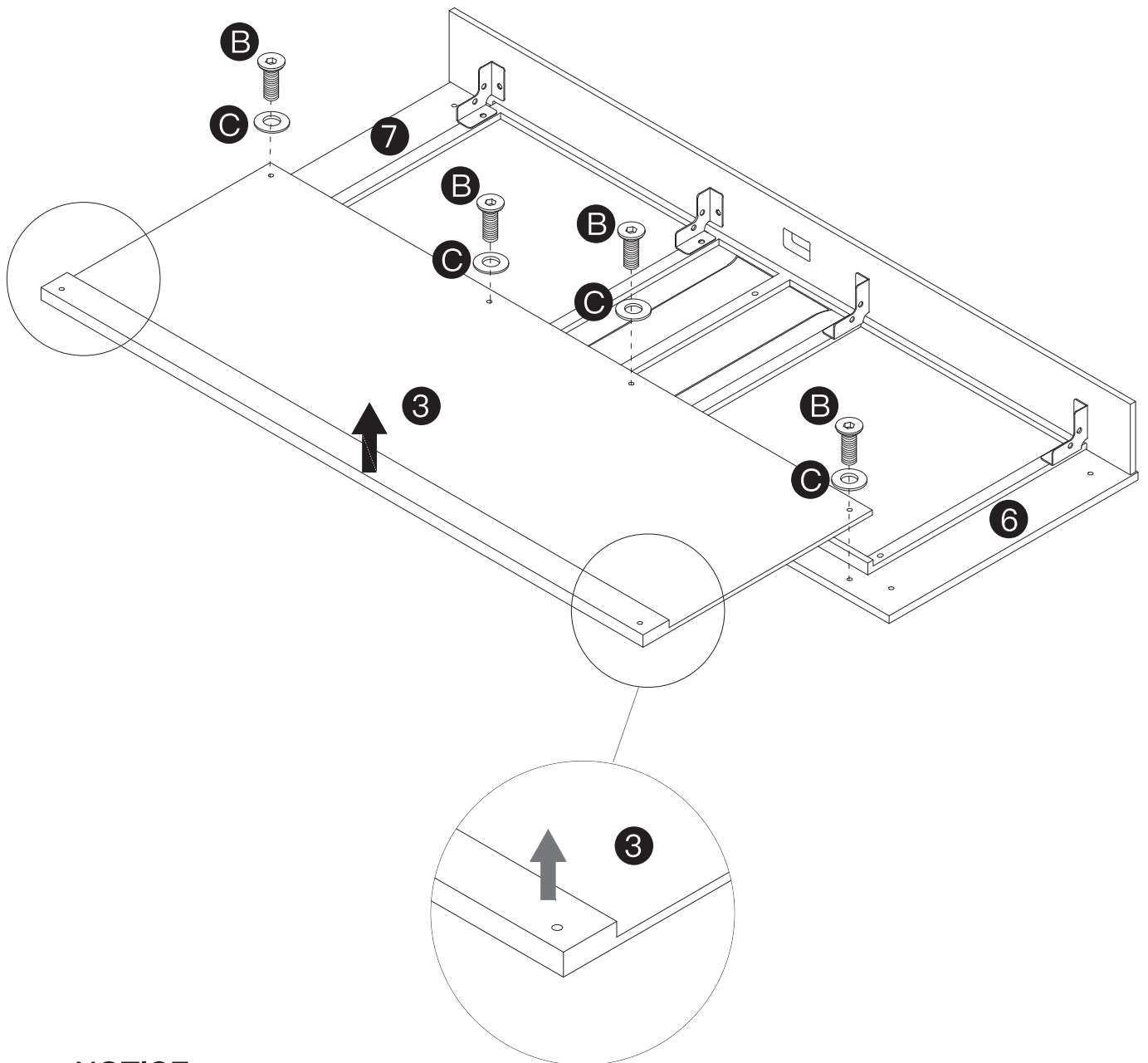
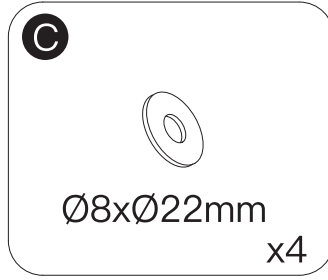
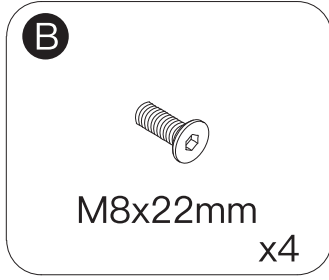
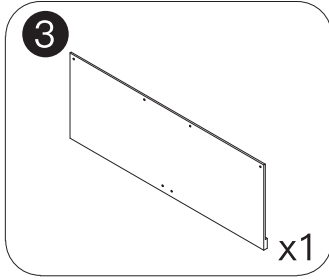


## NOTICE:

Please ensure that the side with 4 holes of part **8** is facing inward and the groove facing downwards.



# STEP 4

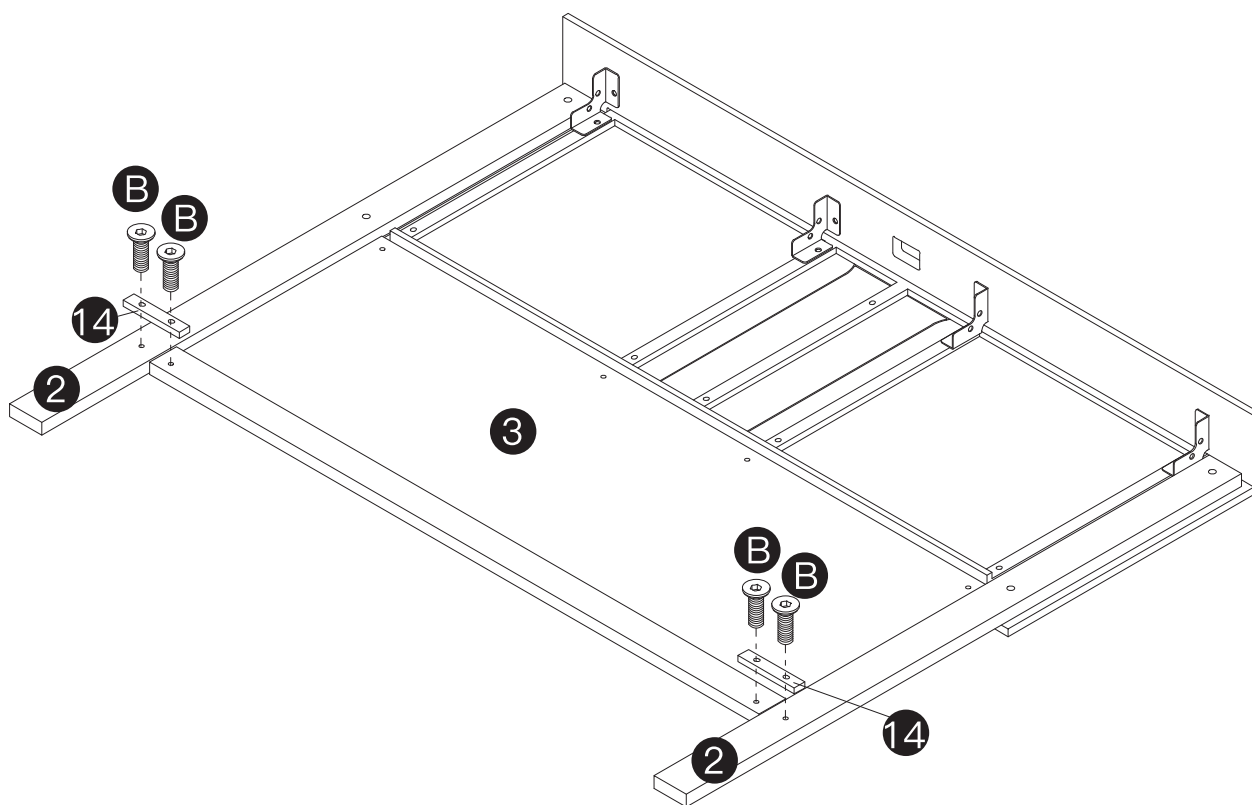
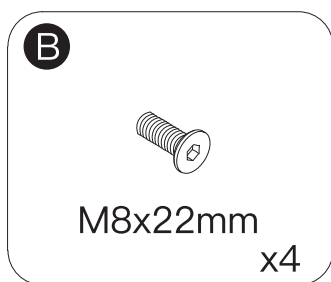
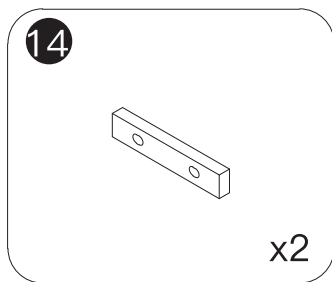


## NOTICE:

Please ensure that the specific side of part **3** is facing upwards.



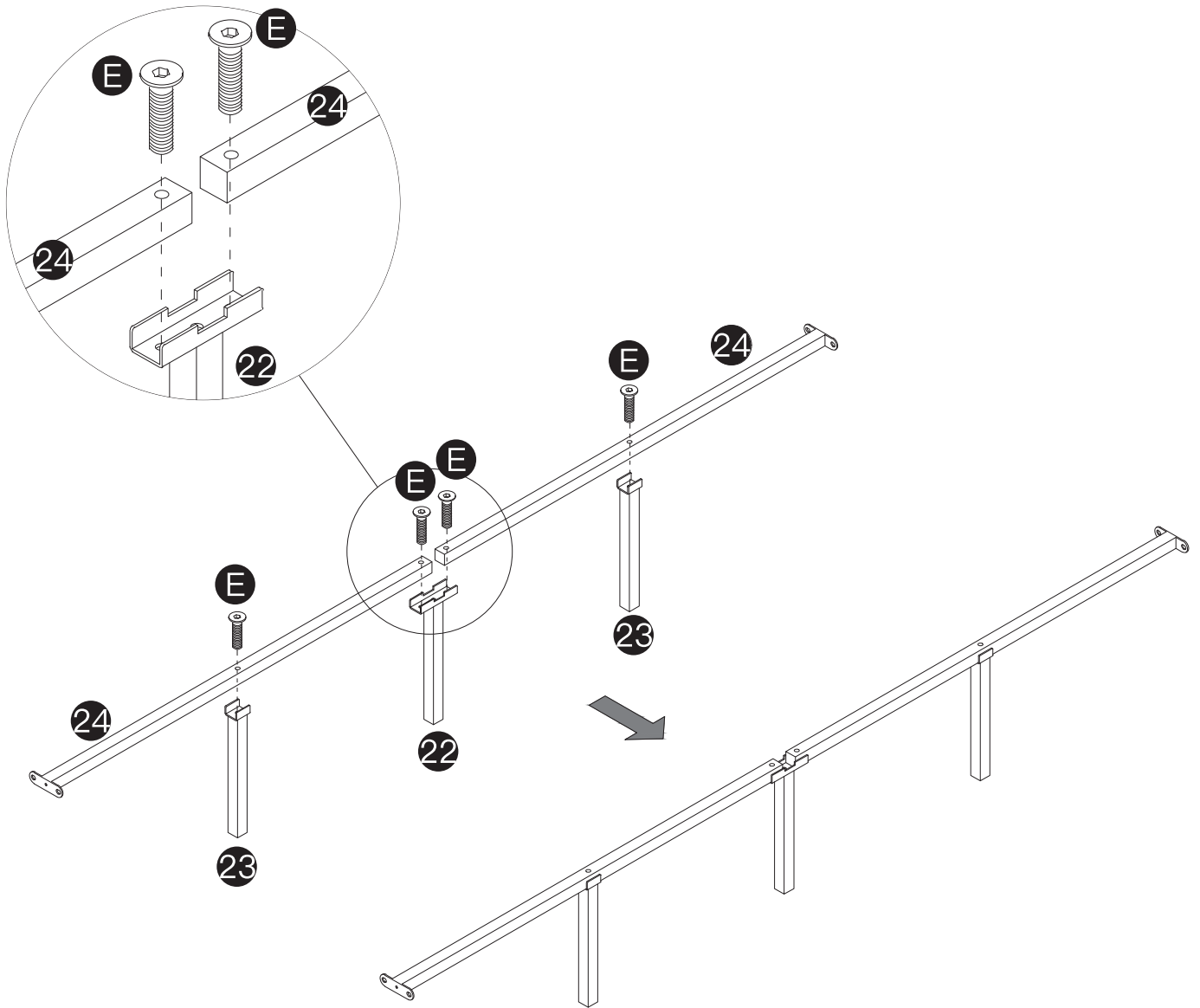
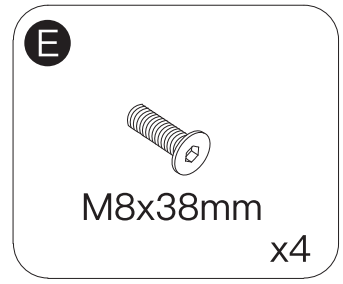
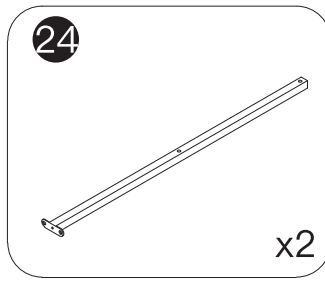
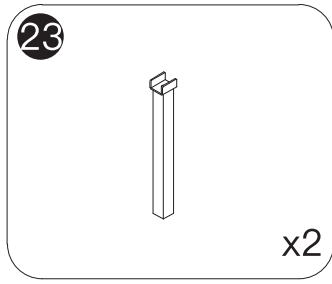
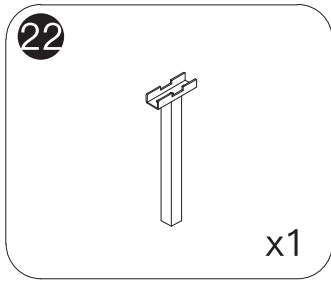
# STEP 6



**NOTICE:**

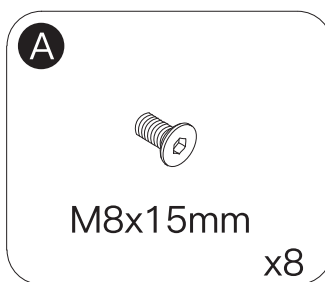
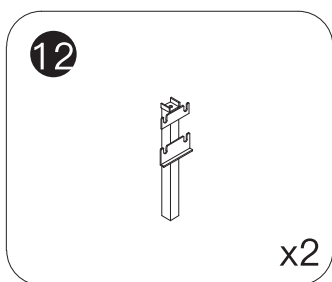
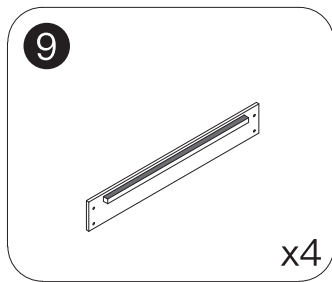
Lifting part 3 will make part 14 easier to install.

# STEP 7



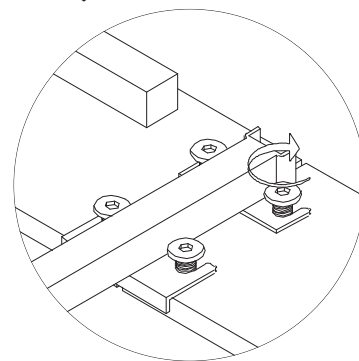
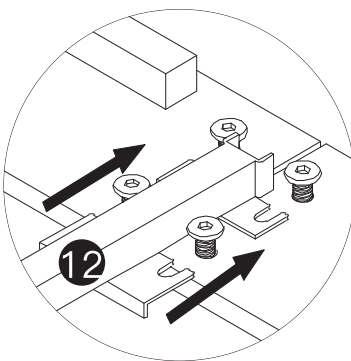
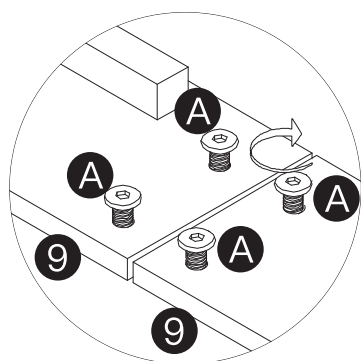
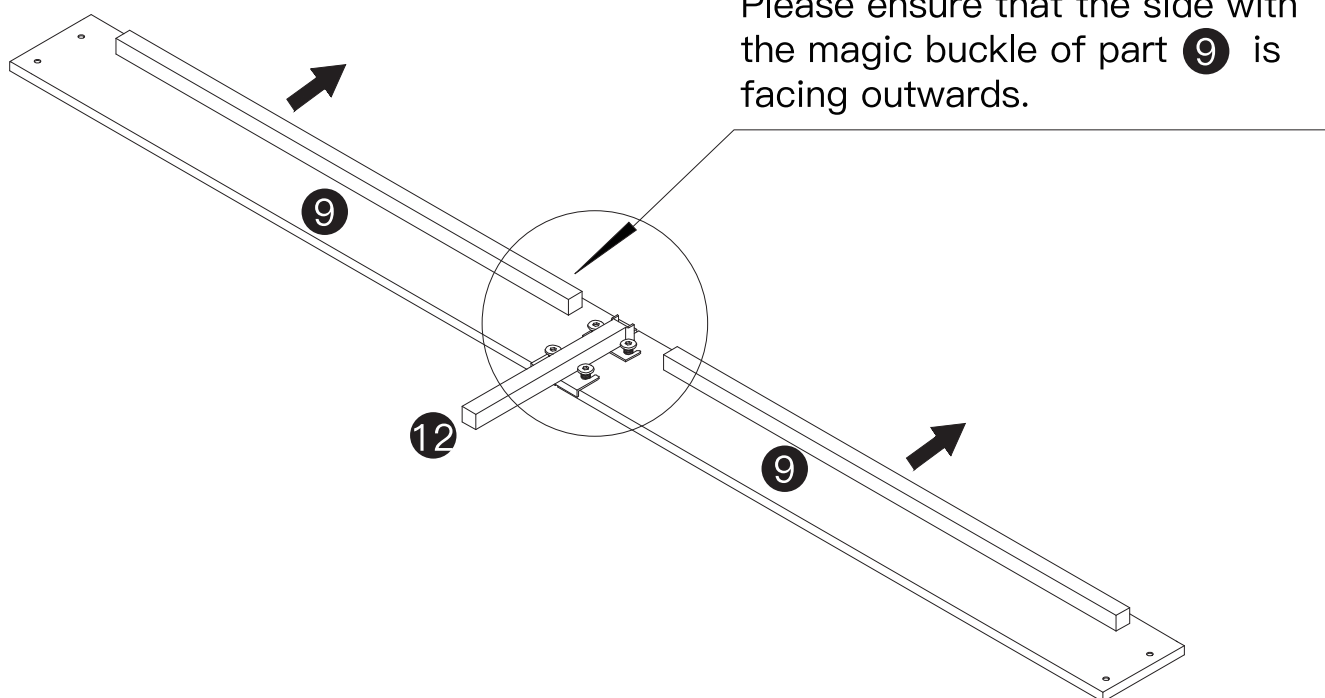
x1

# STEP 8



## NOTICE:

Please ensure that the side with the magic buckle of part 9 is facing outwards.



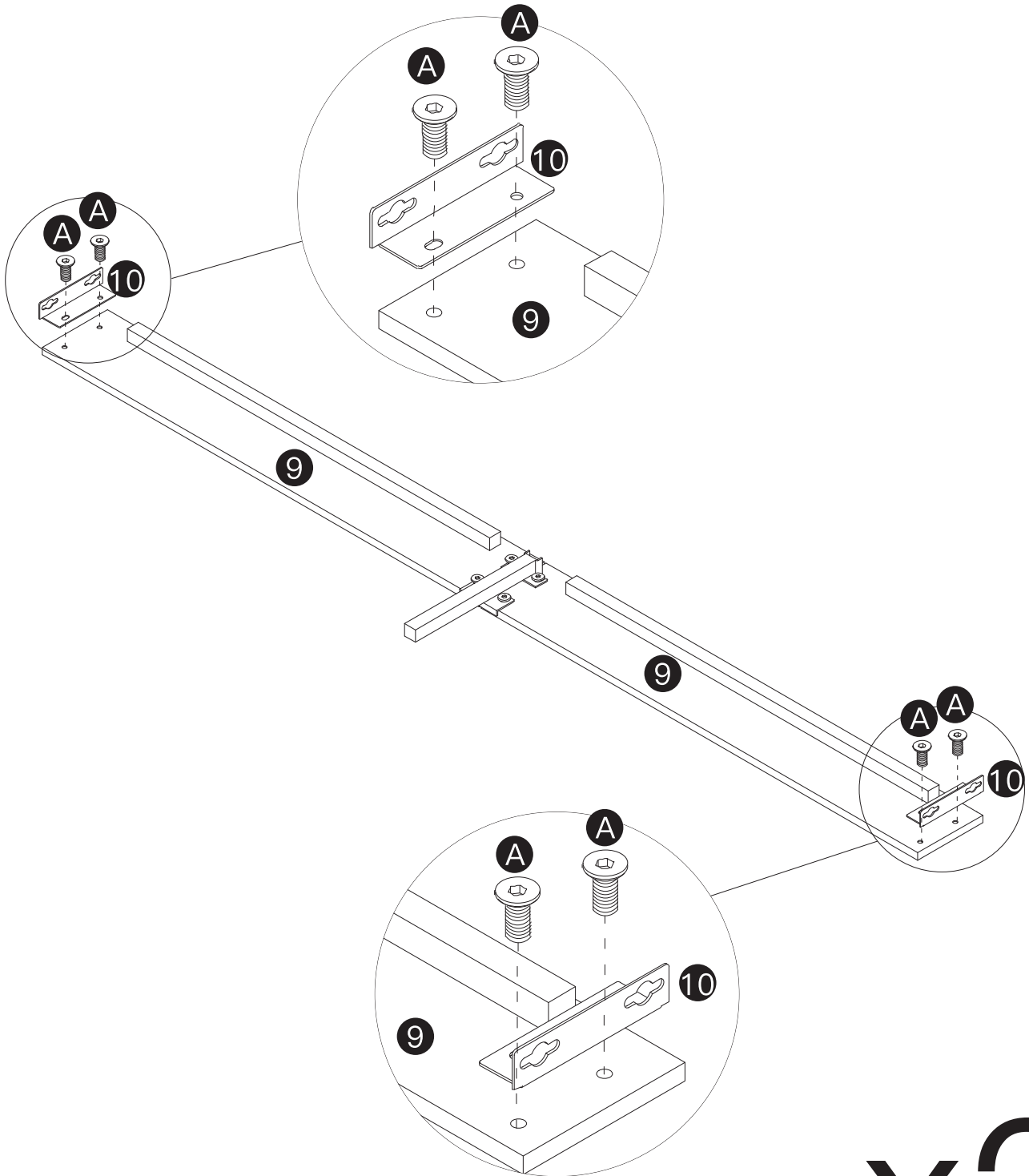
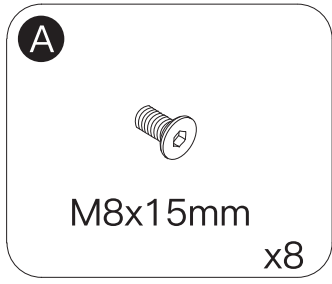
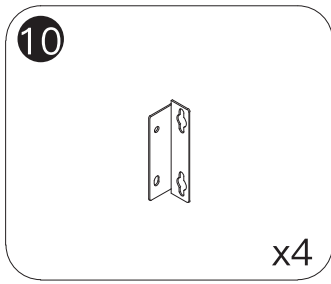
Please screw part A in 1/2 at the marked position to make assembly easier.

Hang part A onto part 12 .

Tighten part A on part 12 after hooking up.

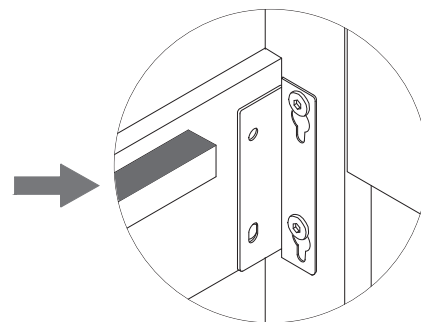
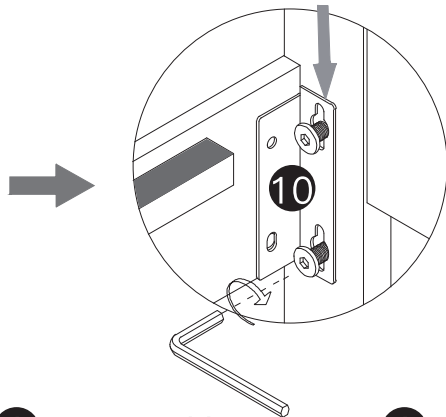
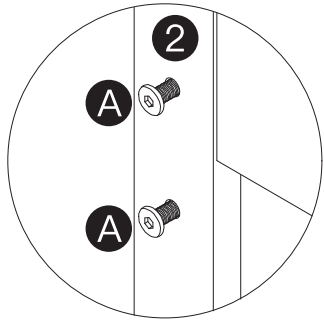
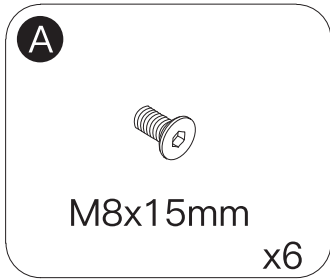
# x2

# STEP 9



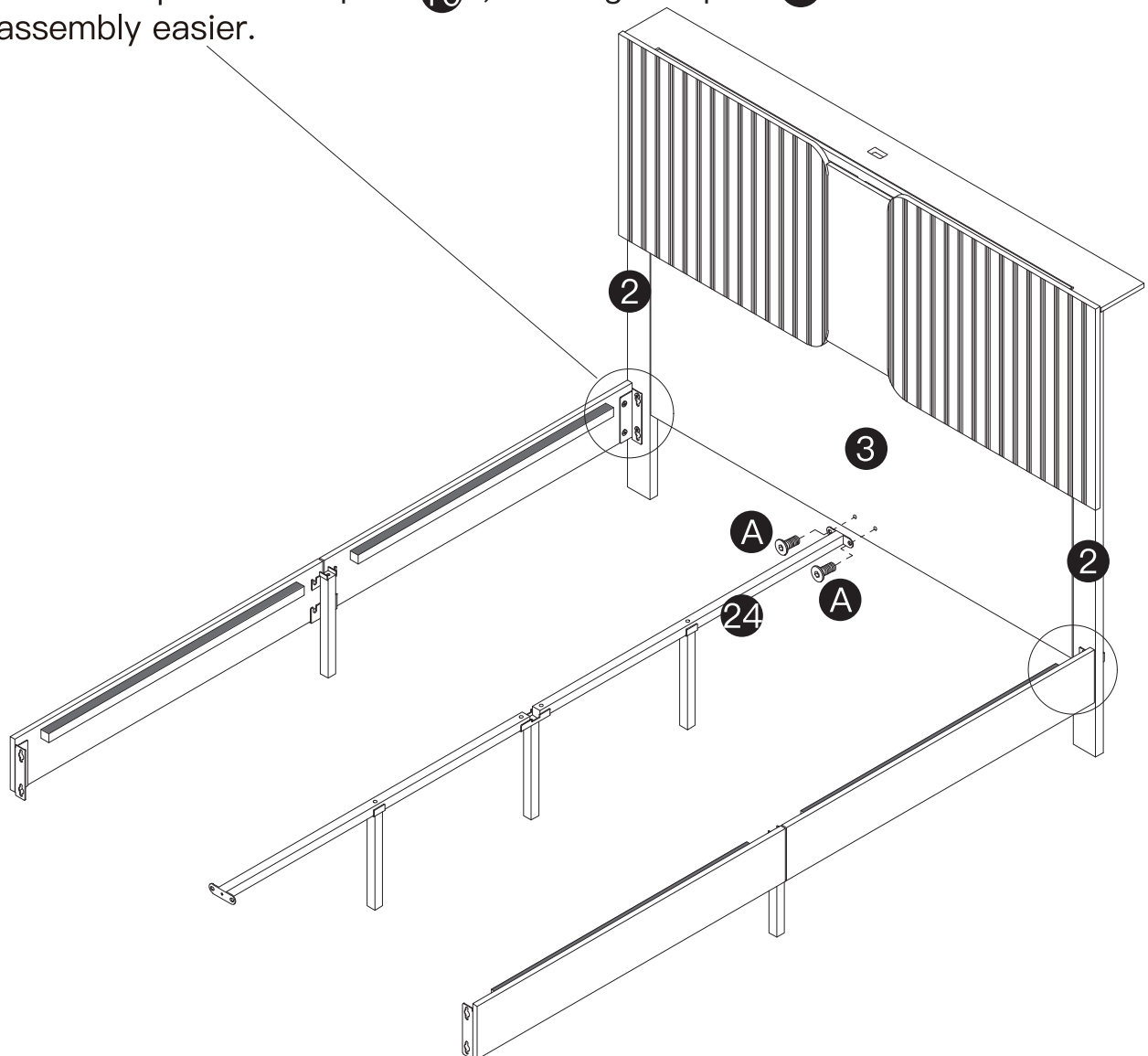
x2

# STEP 10

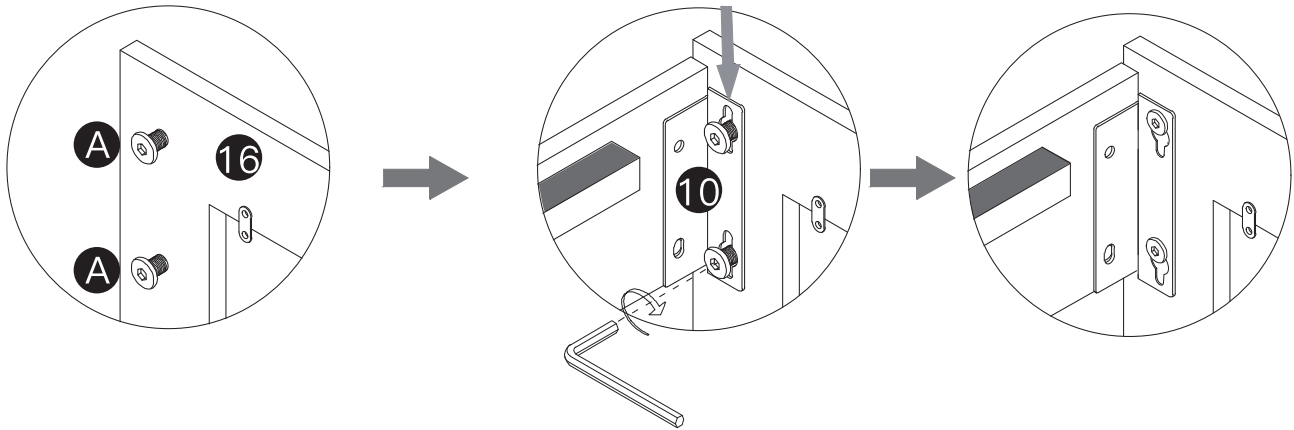
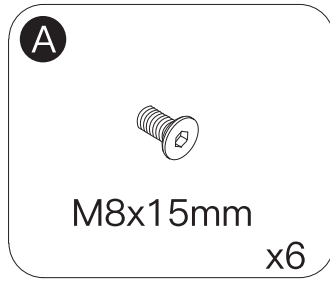
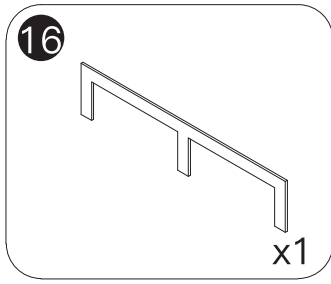


Please screw part **A** in 1/2 at the marked position to make assembly easier.

Hang part **A** onto part **10** , then tighten part **A** .

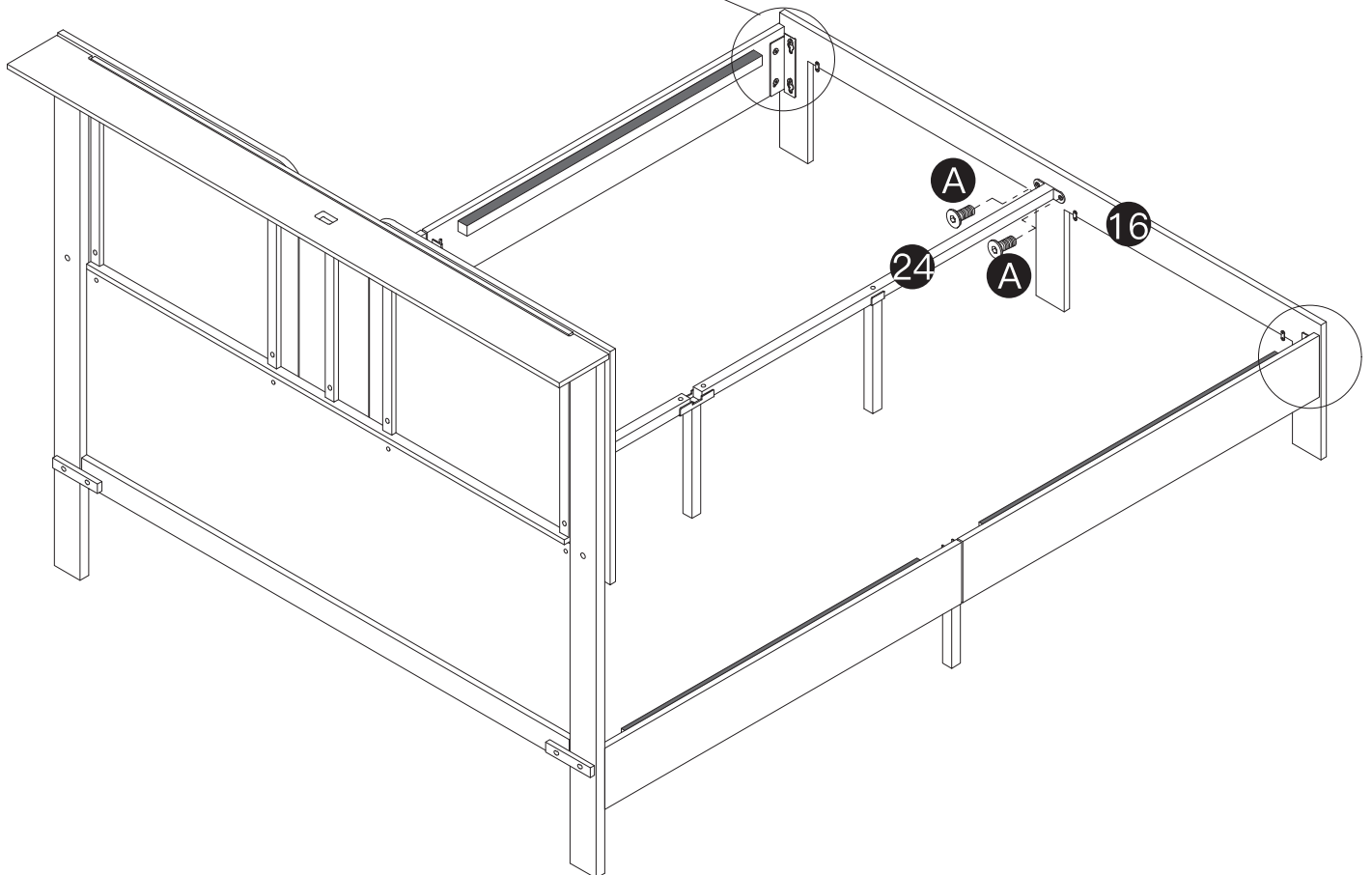


# STEP 11

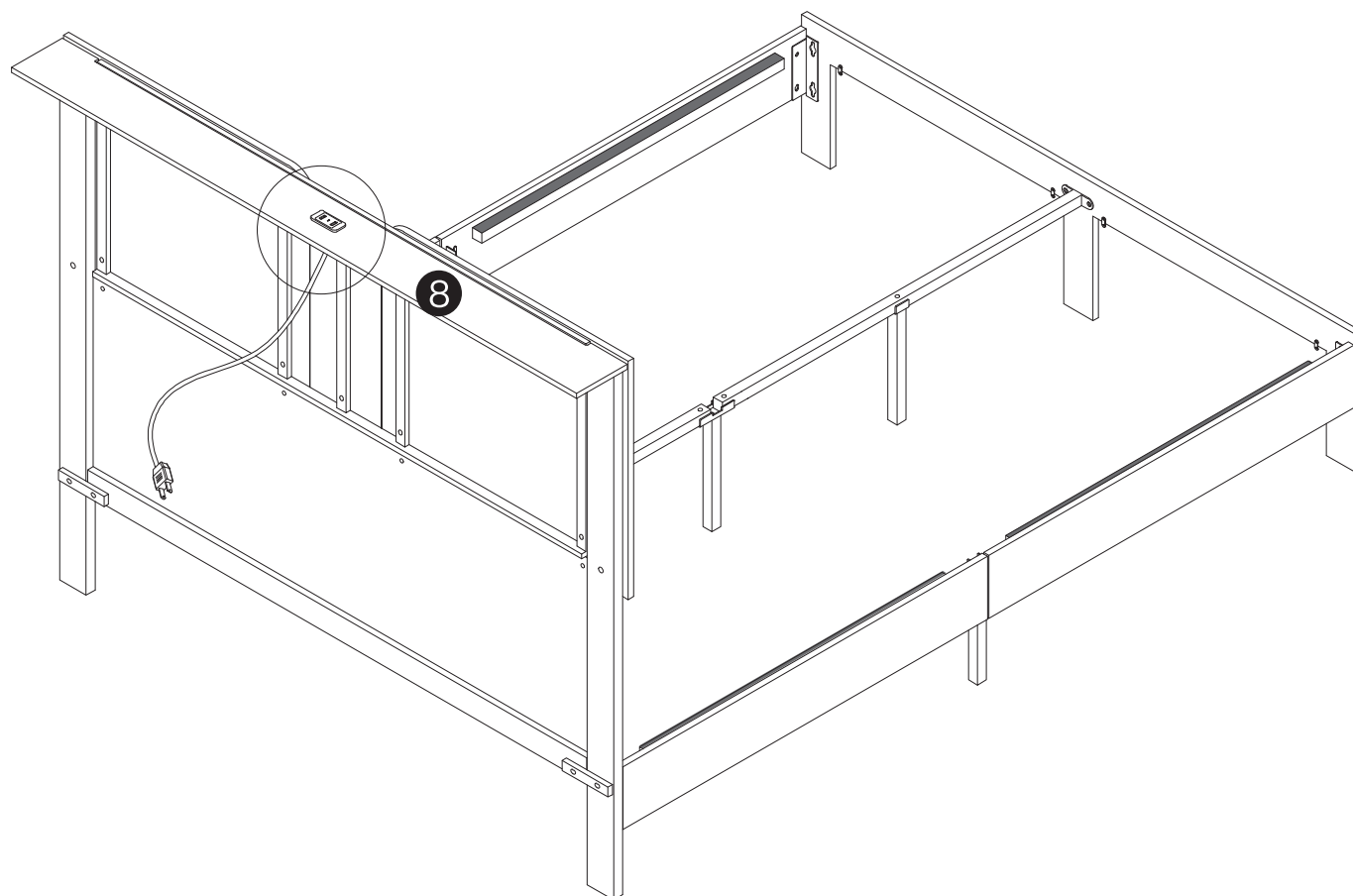
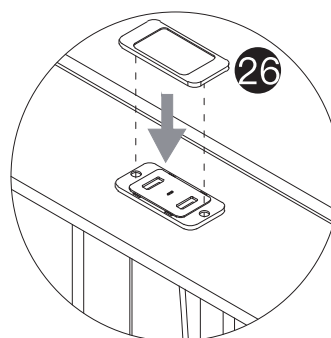
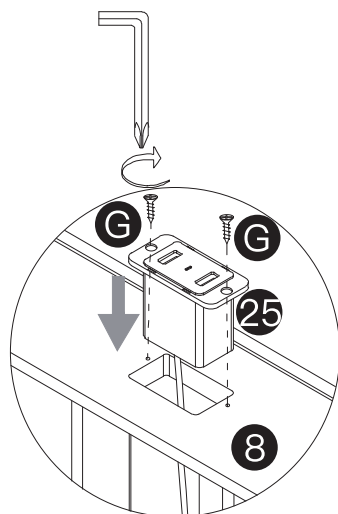
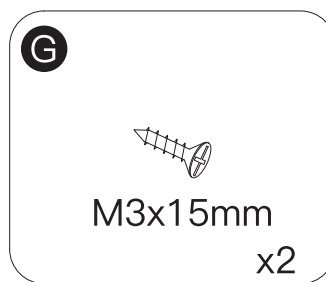
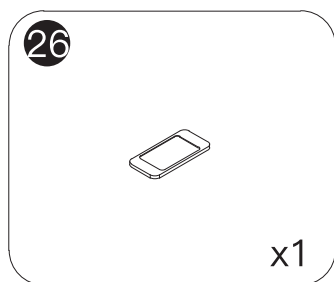
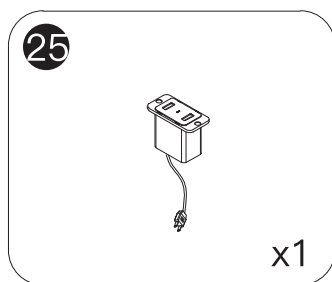


Please screw part **A** in  
1/2 at the marked position  
to make assembly easier.

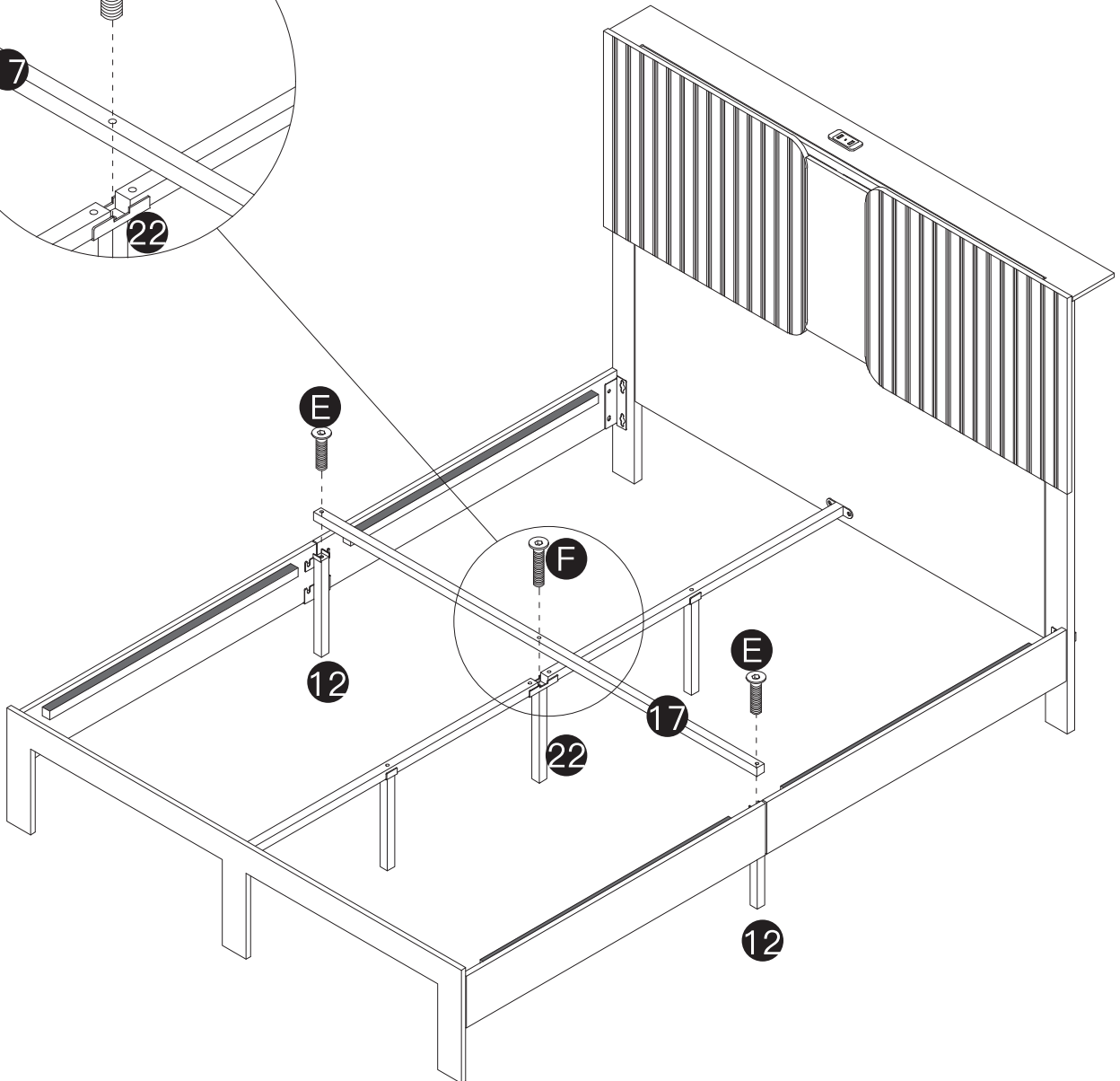
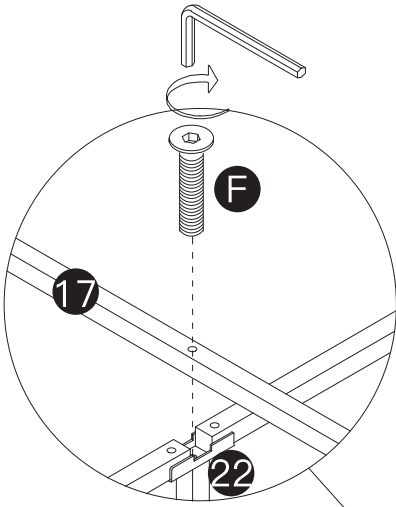
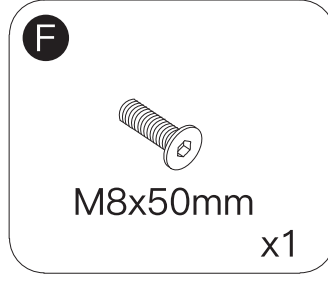
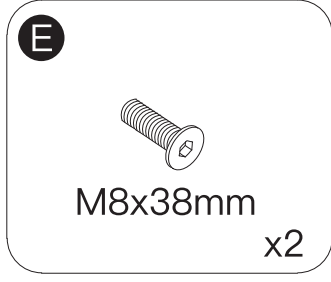
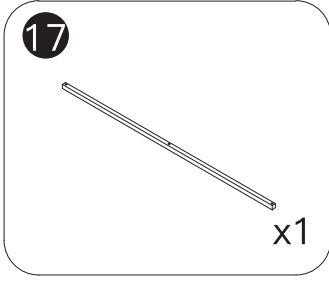
Hang part **A** onto  
part **10** , then tighten part **A** .



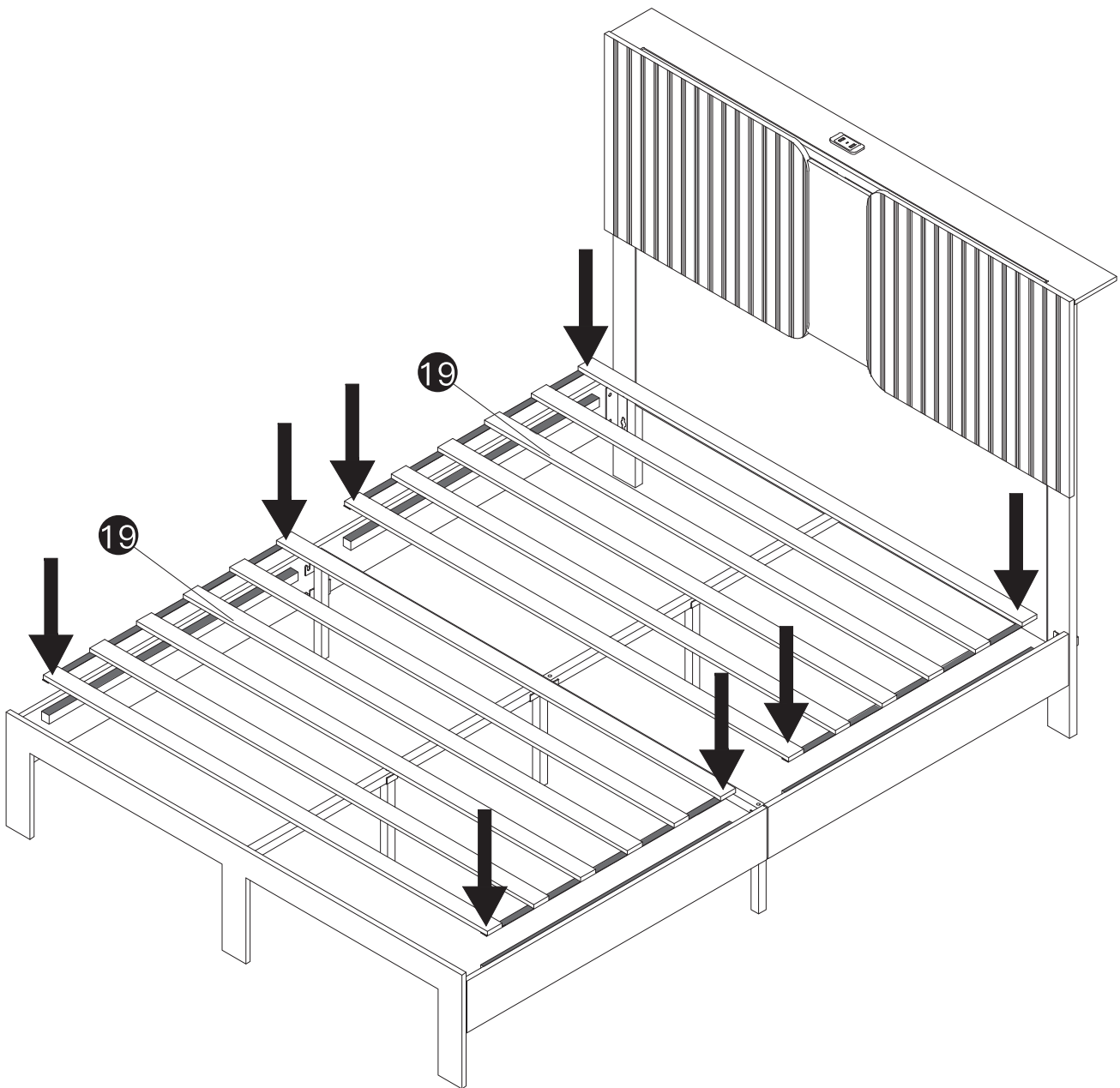
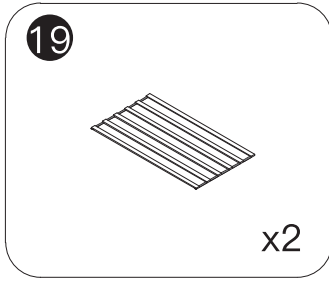
# STEP 12



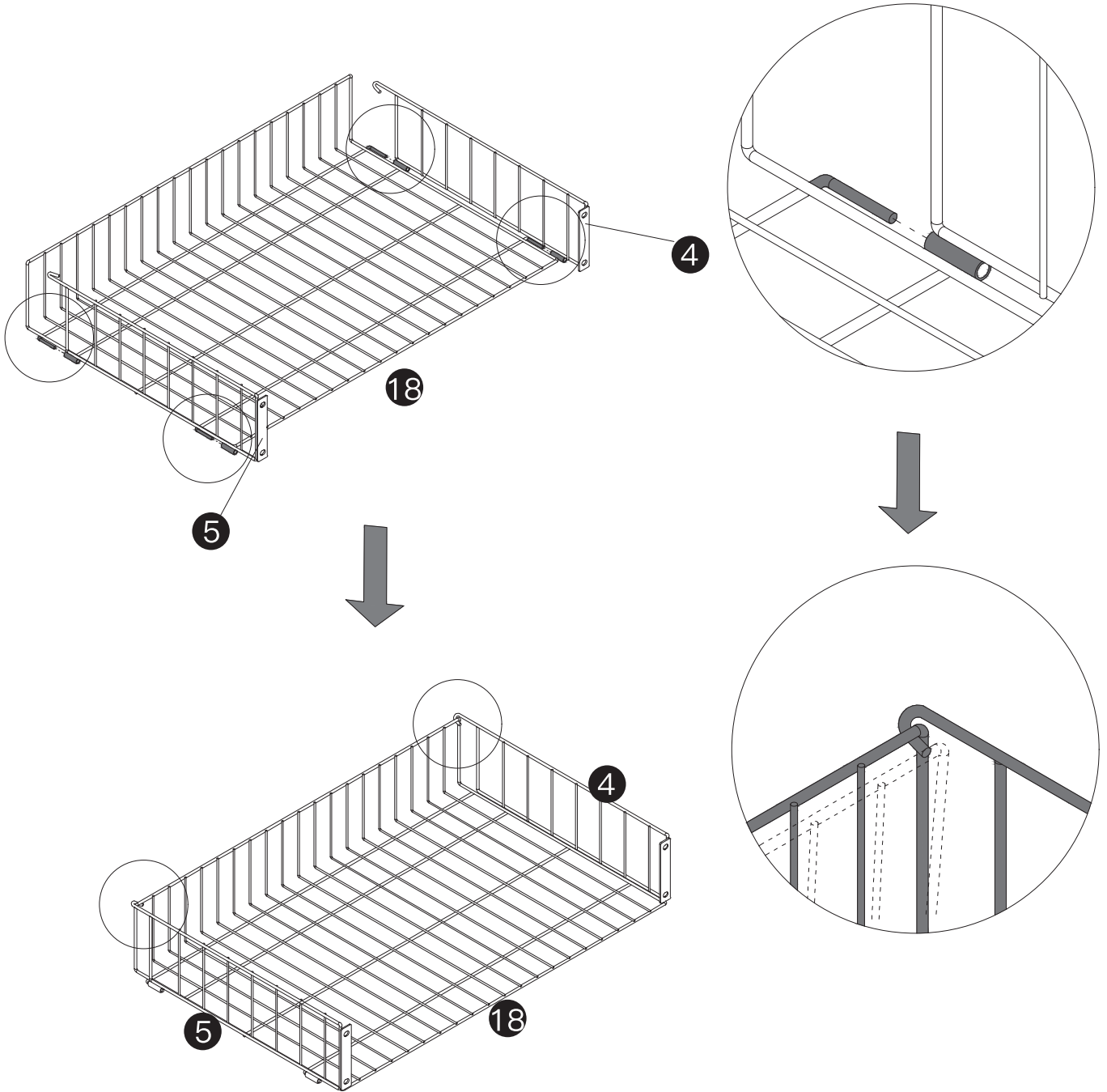
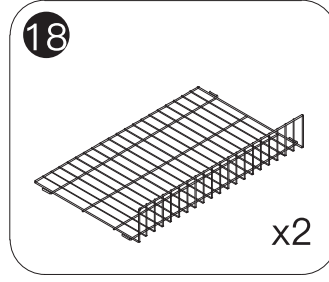
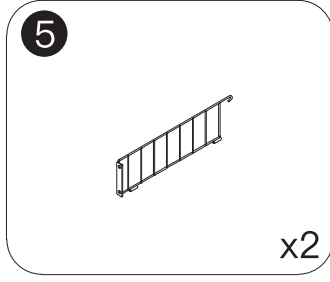
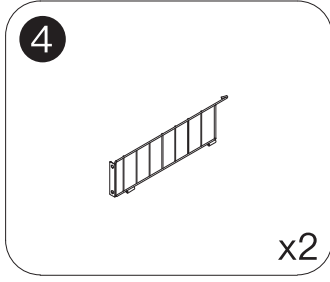
# STEP 13



# STEP 14

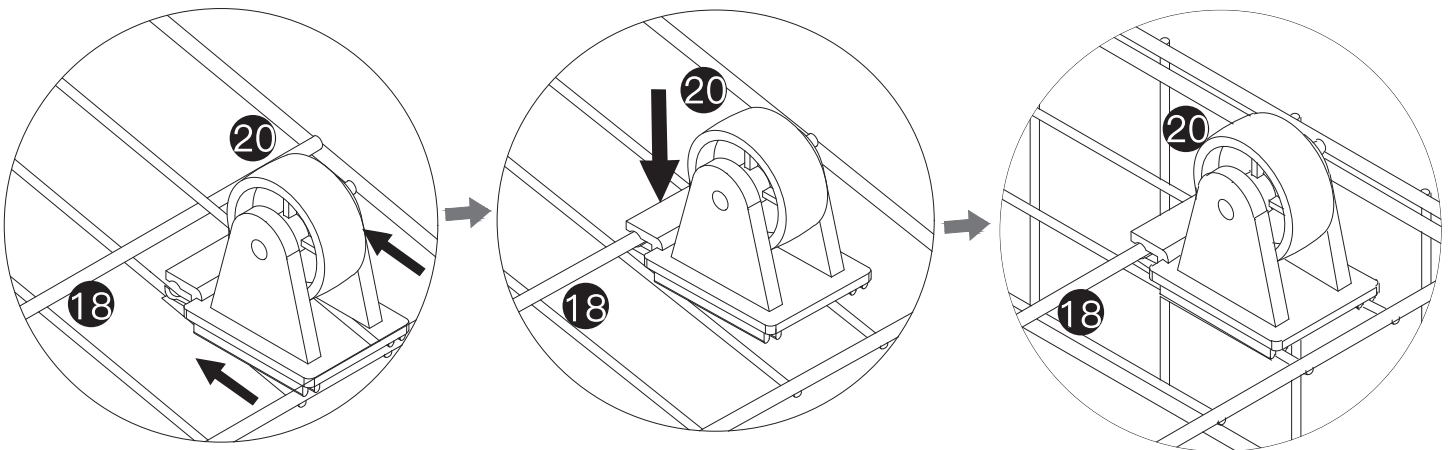
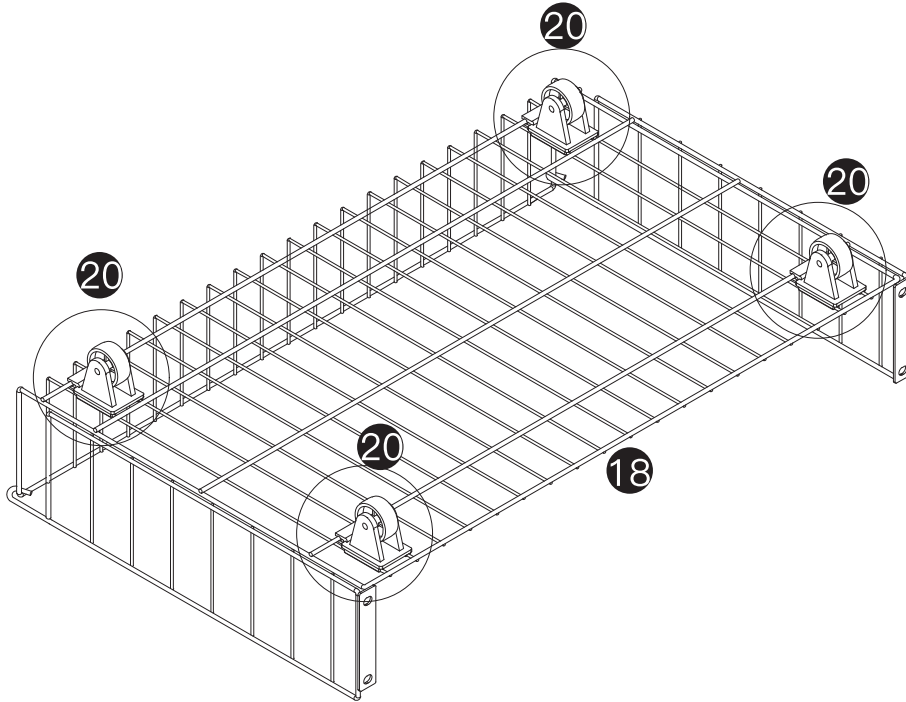
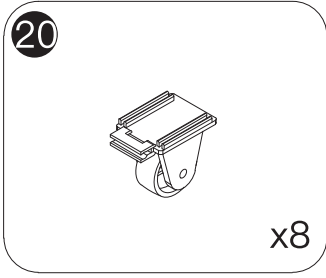


# STEP 15



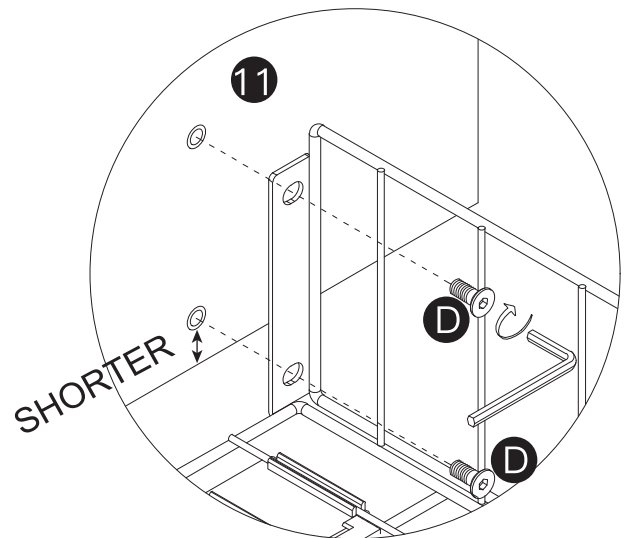
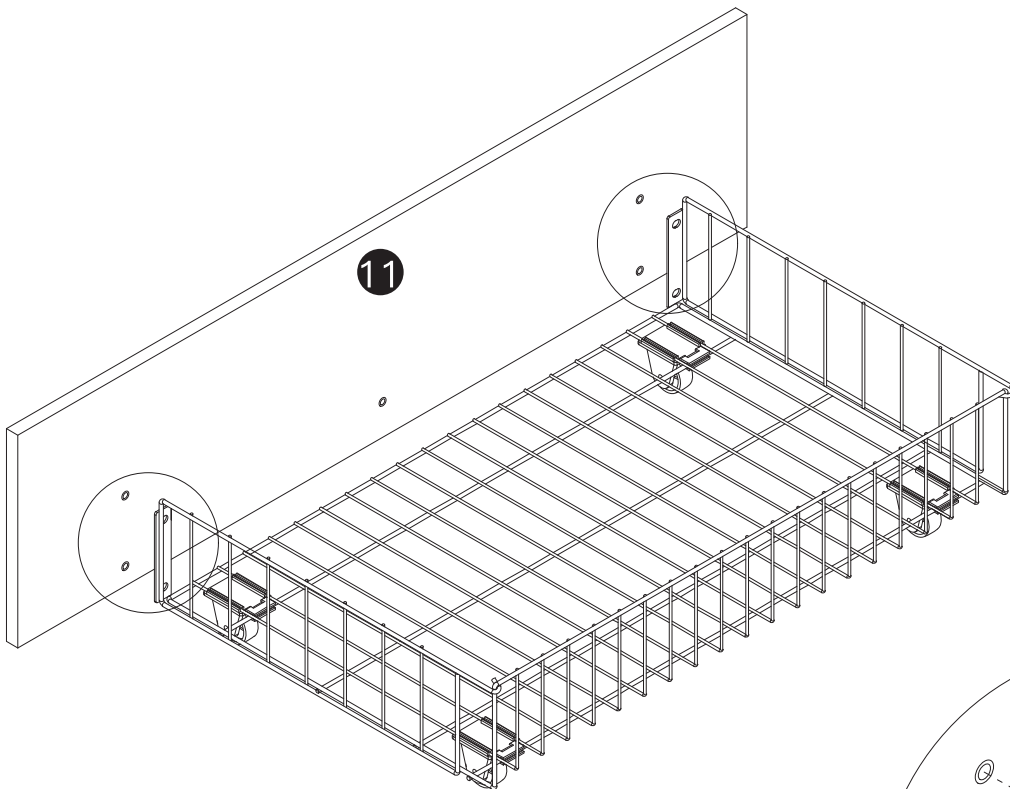
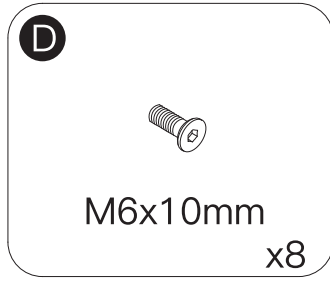
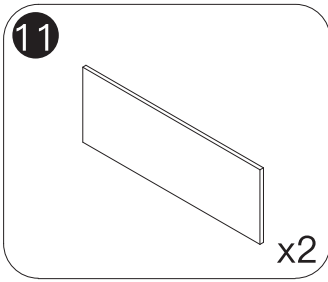
x2

# STEP 16



x2

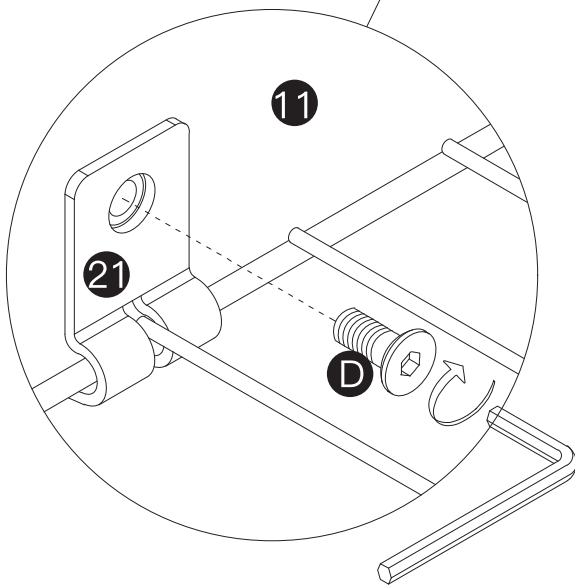
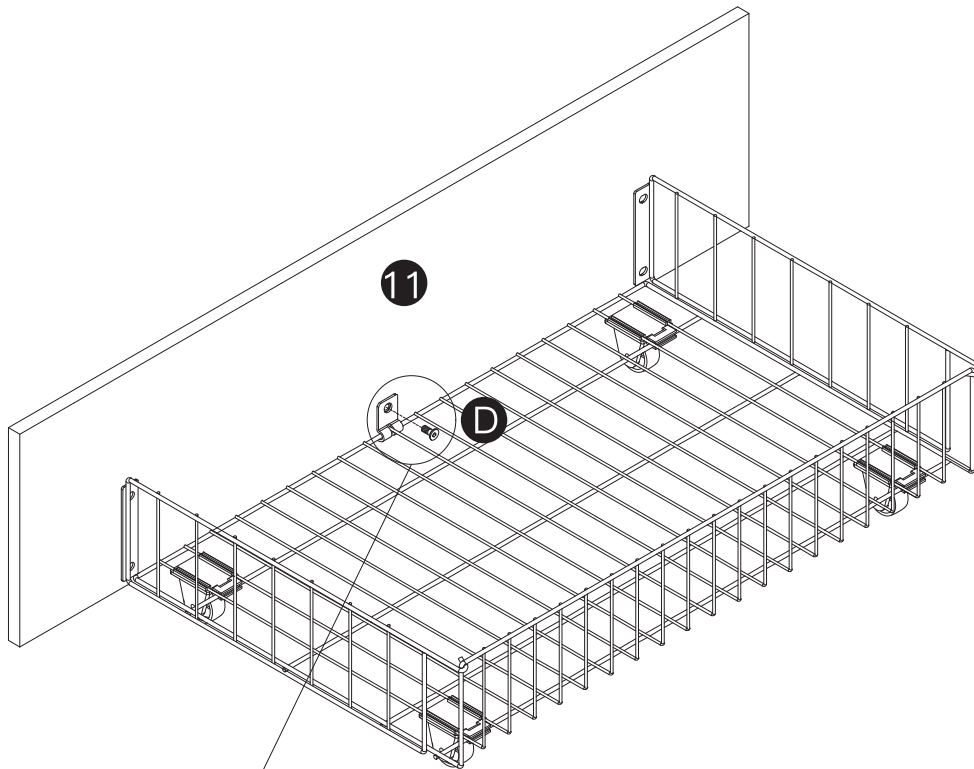
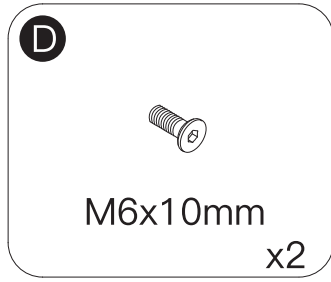
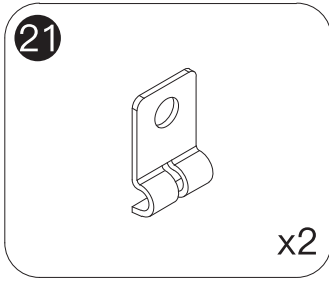
# STEP 17



**NOTICE:**  
Make sure the frame is installed on the shorter side of the front panel.

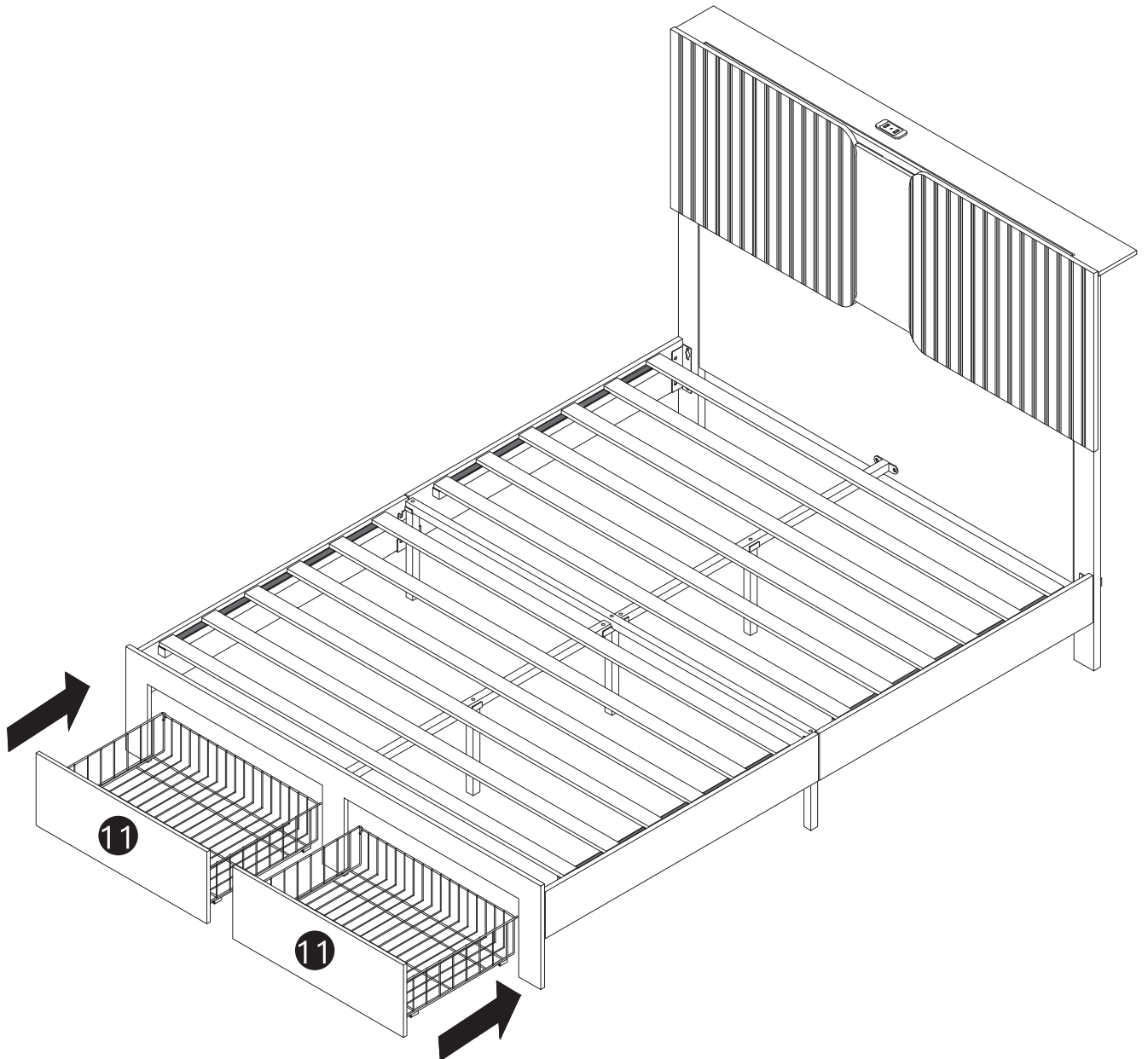
x2

# STEP 18



x2

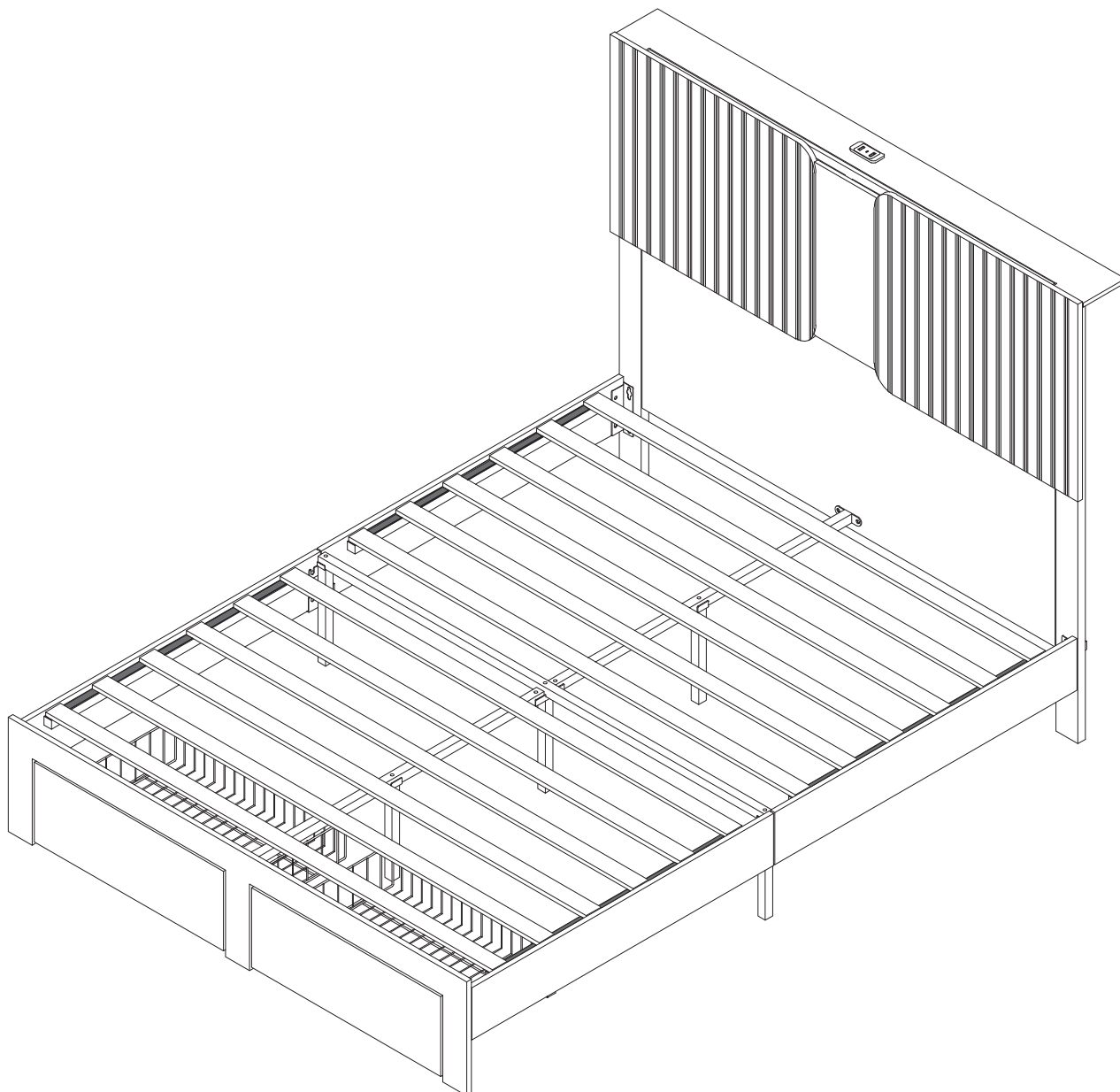
# STEP 19



# STEP 20

## Warm Tips

- (1) Please place the assembled bed against the wall.
- (2) Do not jump or play on the bed.



## After-Sale Support

**Dear Customer,**

Thank you for choosing to purchase our products! We attach great importance to your shopping experience and hope to ensure that you are satisfied with this purchase.

Should you have any questions, please contact us through the original purchase platform. We will reply your messages as soon as possible, please kindly wait for the response from our team.

Thank you again for your understanding and support! If you have any other questions, please feel free to contact us at any time.

Best Regards,  
After sales service team