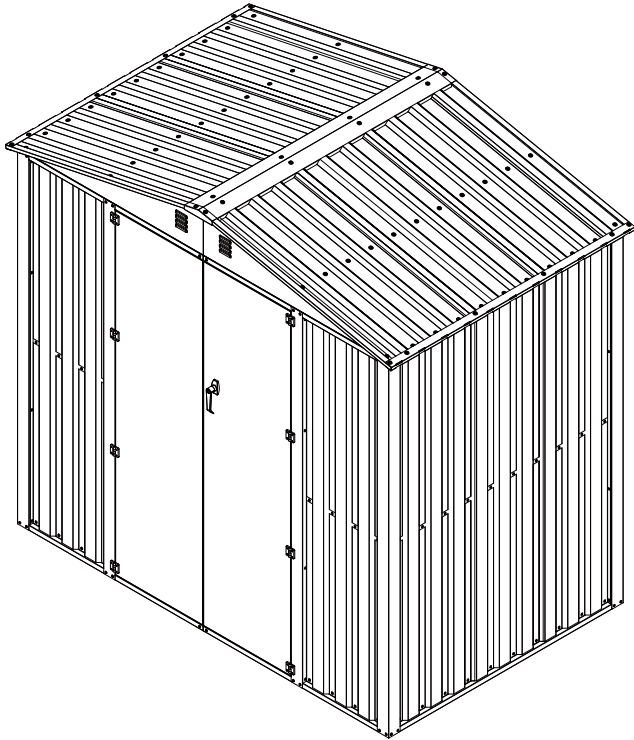


4'X6' OUTDOOR STORAGE SHED

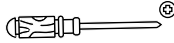
Modern Chic Collection



**Please prepare following tools before installation.
(These tools are not Included in our package)**



Electric Screwdriver



+ Manual Screwdriver



Spanner



Ladder

Tools Included in package



Gloves X 1 Pair

ATTENTION:

Please read this instruction carefully before start and follow it strictly during installation. Ensure that there is no problem later due to installation errors.

Installation Notes

Please check the quantity of all the components before installation, (Please refer to the Component Lists) to render a general view of the product. Please make sure you've received the coherent product before installation. If there is any problem, please contact us directly.

Make sure the colored panels are facing outwards and all the holes are matched. The panels are textured. Please install the panels in specified order just as indicated by this installation manual. All the lines and holes must be accurately matched to make the storage shed more stable. Please ensure that all screws are tightened to prevent the product from falling apart.

There is a protective film on the surface to protect the product, please tear it off after installation to get the final presentation. If you did not damage the film during installation, it can also remain on the product to as protection.

Please place the product on flat ground to prevent leaning and collapse. If the ground is uneven, the door may not be closed.

Safety Precautions

We recommend **two adults** to complete the installation, thus it will make the installation process easier and safer.

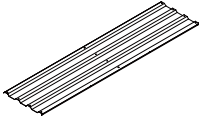
The gloves must be worn to prevent hand cuts during installation.

Take care when using power tools near water the use of a residual current device, (RCD) is advised. Please use the electric driver carefully during screwing to prevent the screw from slipping and hurting your hand. (We recommend that beginners to use a manual screwdriver for installation.) Be careful, do not fall when installing the roof. Please keep steady the ladder and make sure the product placed on flat ground.

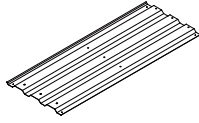
PLEASE KEEP THIS INSTRUCTION FOR FUTURE REFERENCE.



Component List - Carton 1



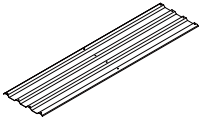
A x 6



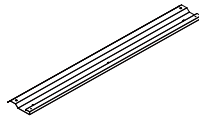
E x 6



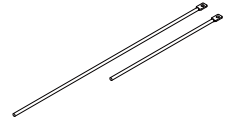
Y x 1



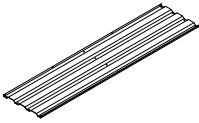
B x 5



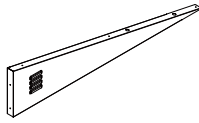
F x 4



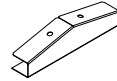
Z x 2



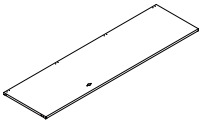
C x 2



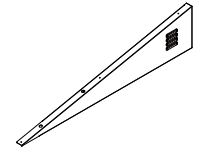
A-R-L x 2



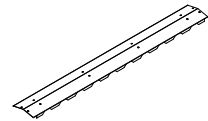
a x 2



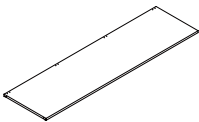
D-R x 1



A-R-R x 2



A-V x 1



D-L x 1

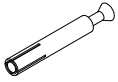


X x 8



b x 417





c x 8



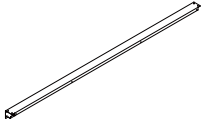
e x 90



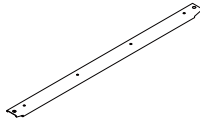
d x 1



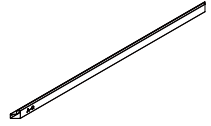
Component List - Carton 2



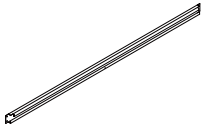
A-G x 4



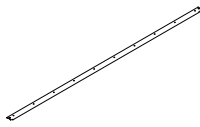
A-L x 2



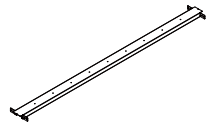
A-Q x 2



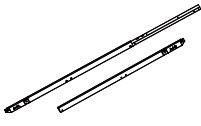
A-H x 2



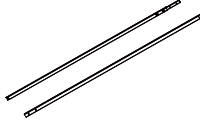
A-M x 2



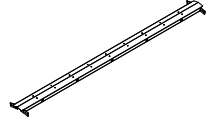
A-S x 2



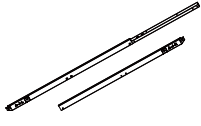
A-I x 2



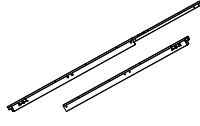
A-N x 2



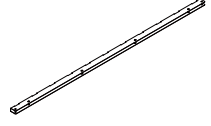
A-T x 1



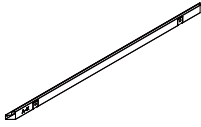
A-J x 2



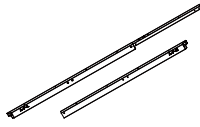
A-O x 2



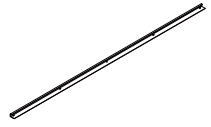
A-U x 2



A-K x 2



A-P x 2



f x 1



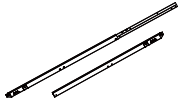
Before Installation

DO NOT FULLY TIGHTEN ALL SCREWS UNTIL ASSEMBLY IS COMPLETED.



Shed Base Frame Assemble

1.1

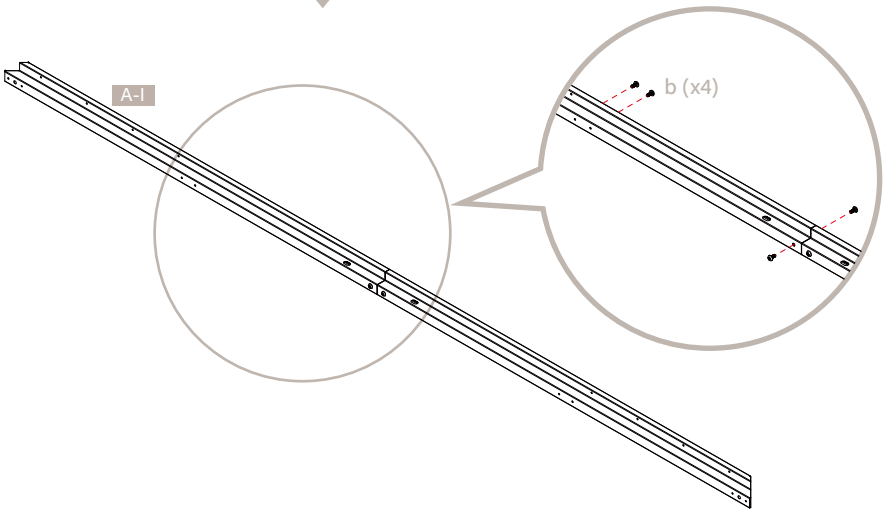
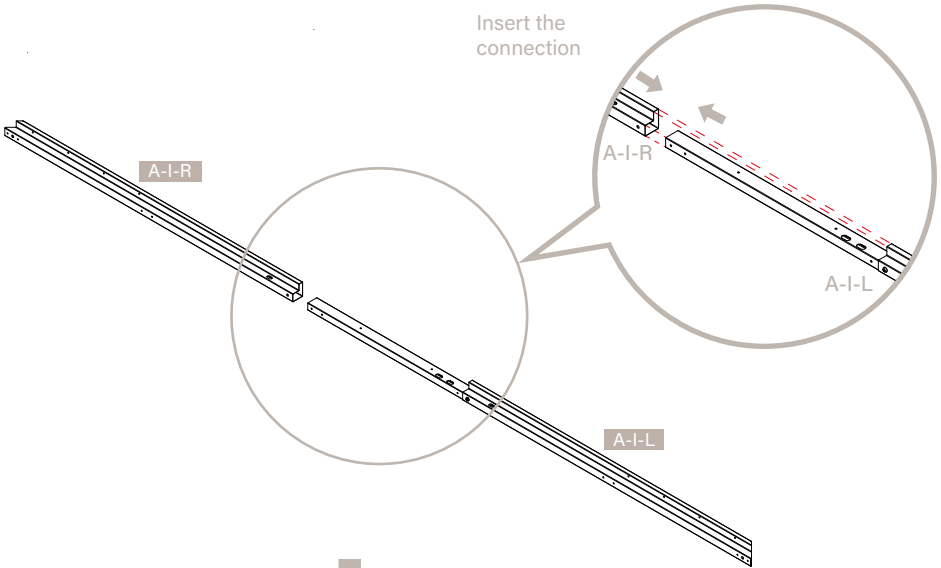


A-I (x2)

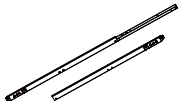


M4 X 10 b (x4)

Insert the connection



1.2

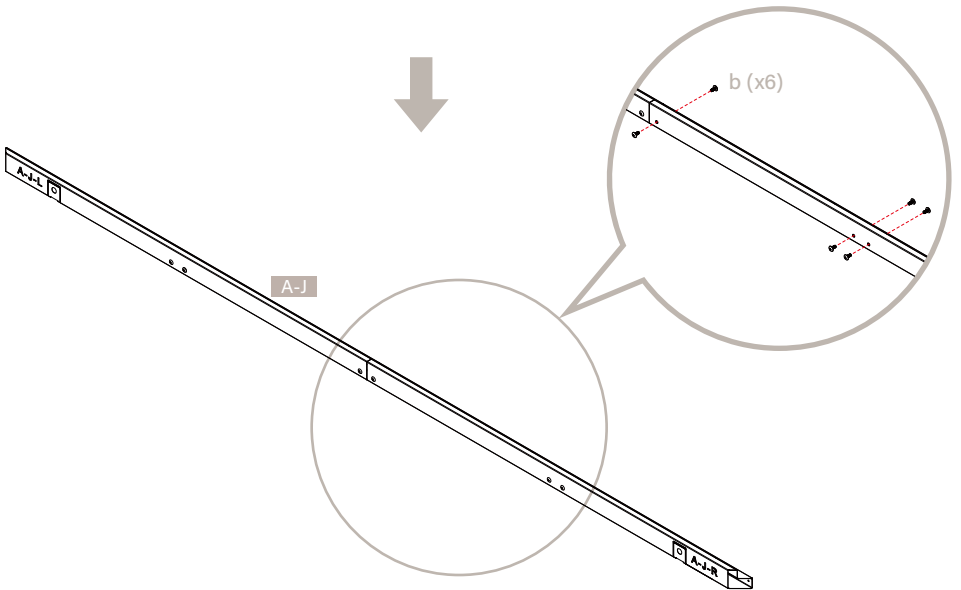
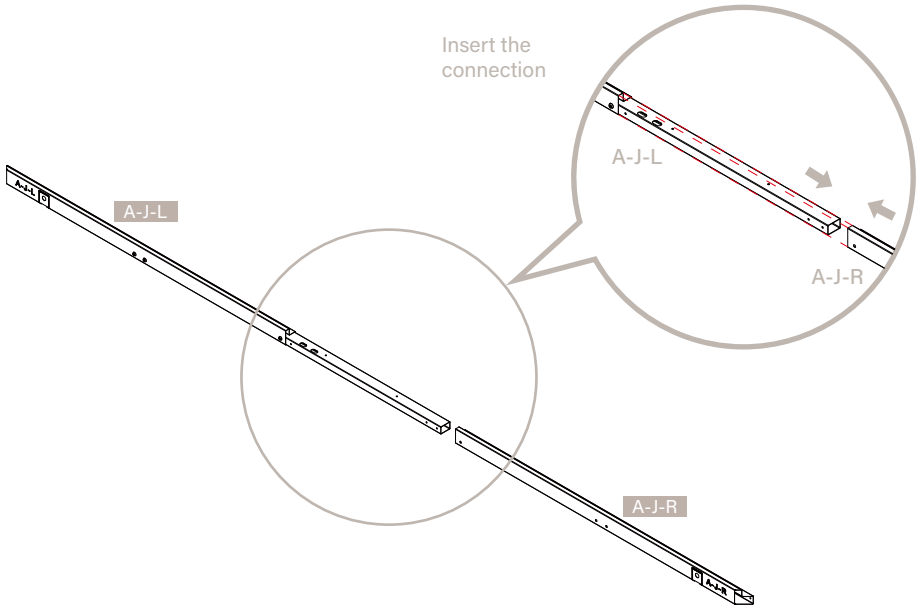


A-J (x2)

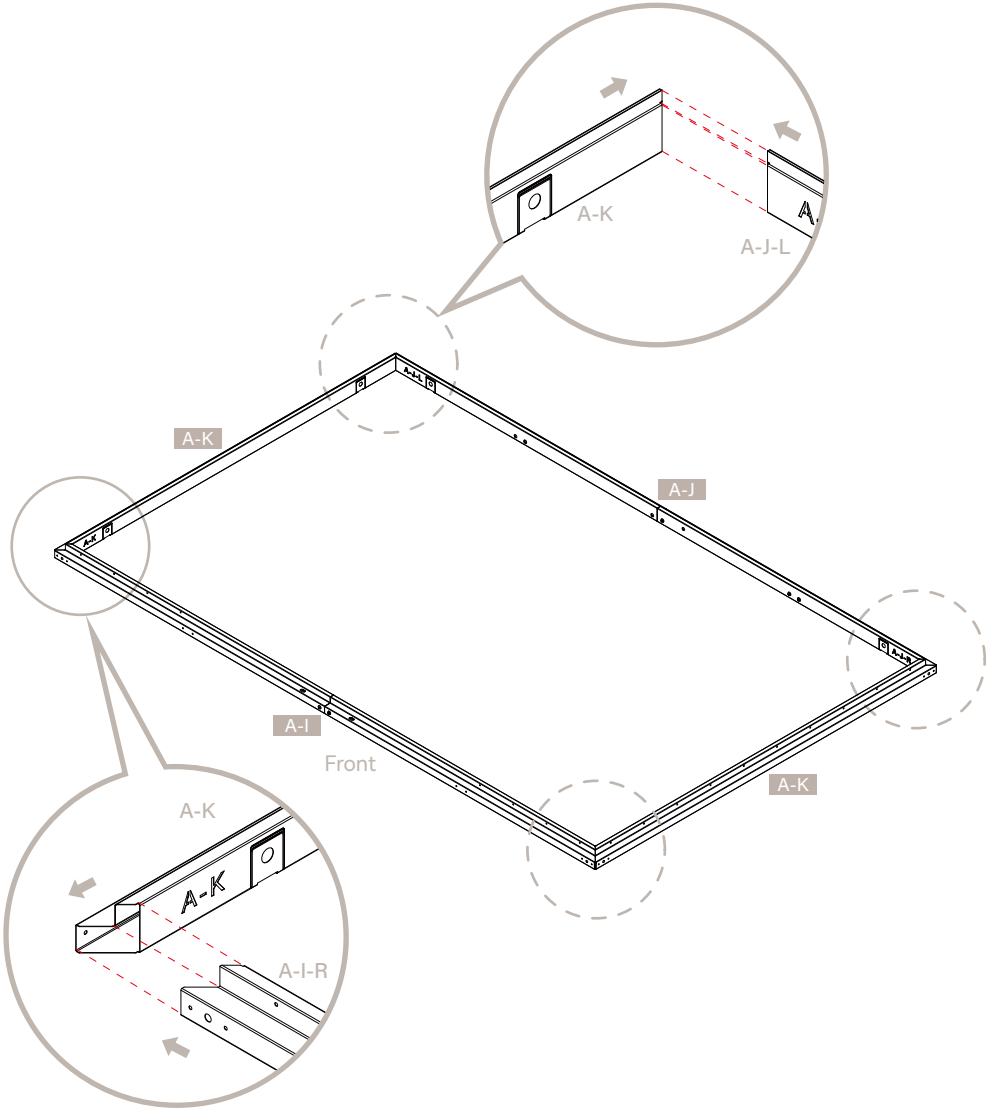
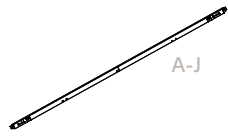
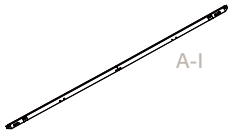


M4 X 10 b (x6)

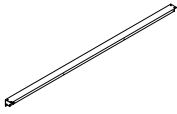
Insert the connection



1.3



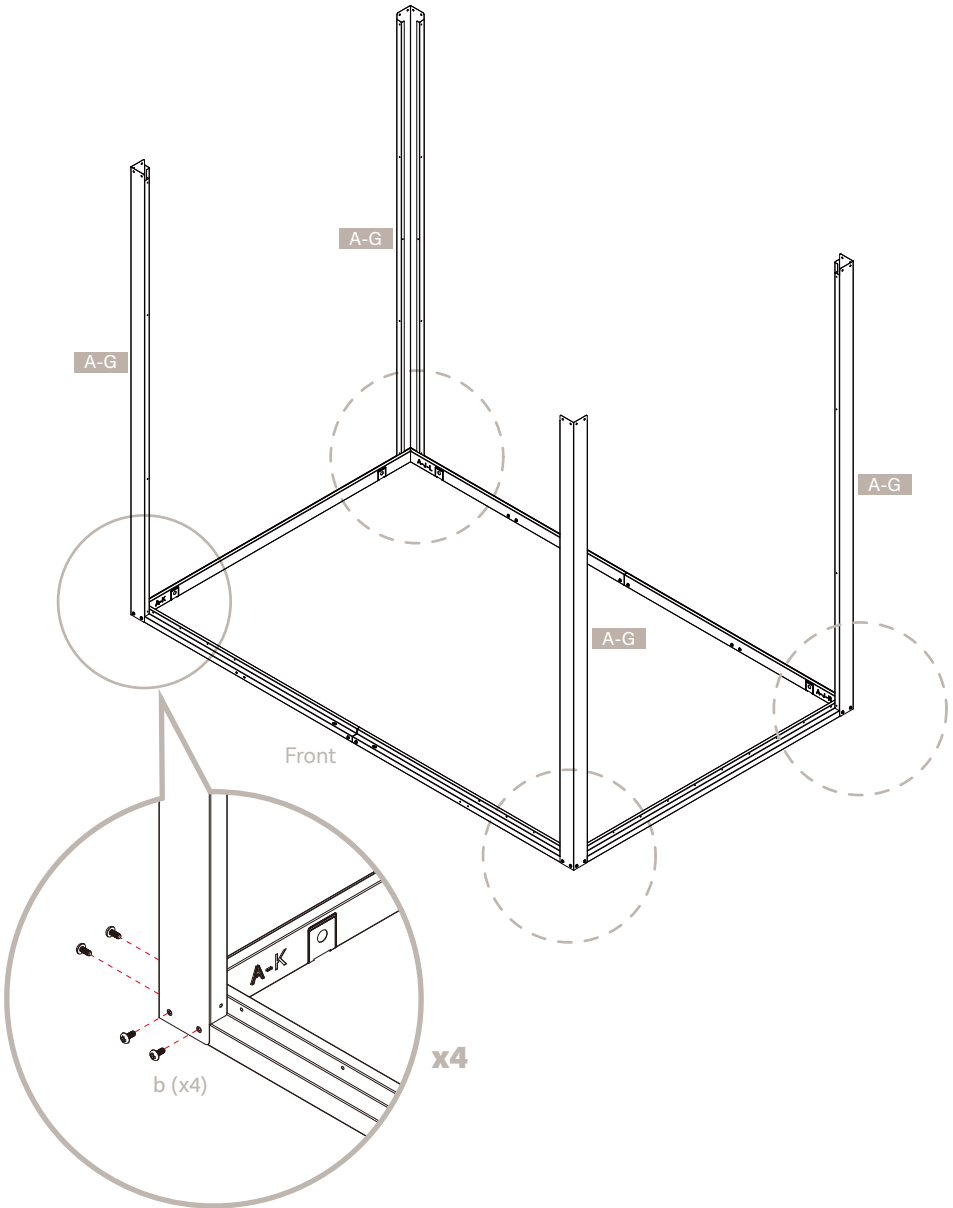
1.4



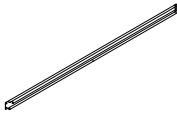
A-G (x4)



M4 X 10 b (x16)



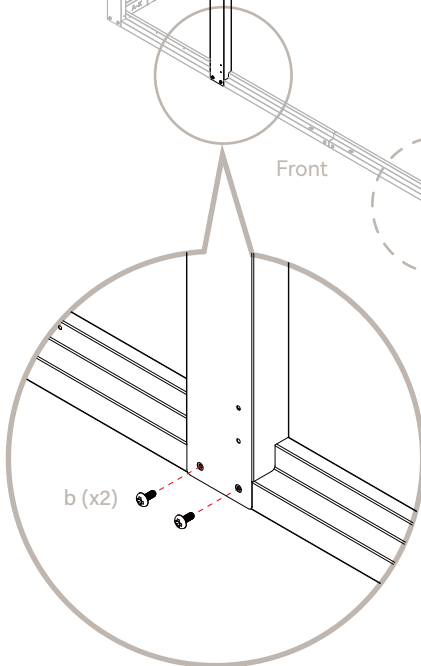
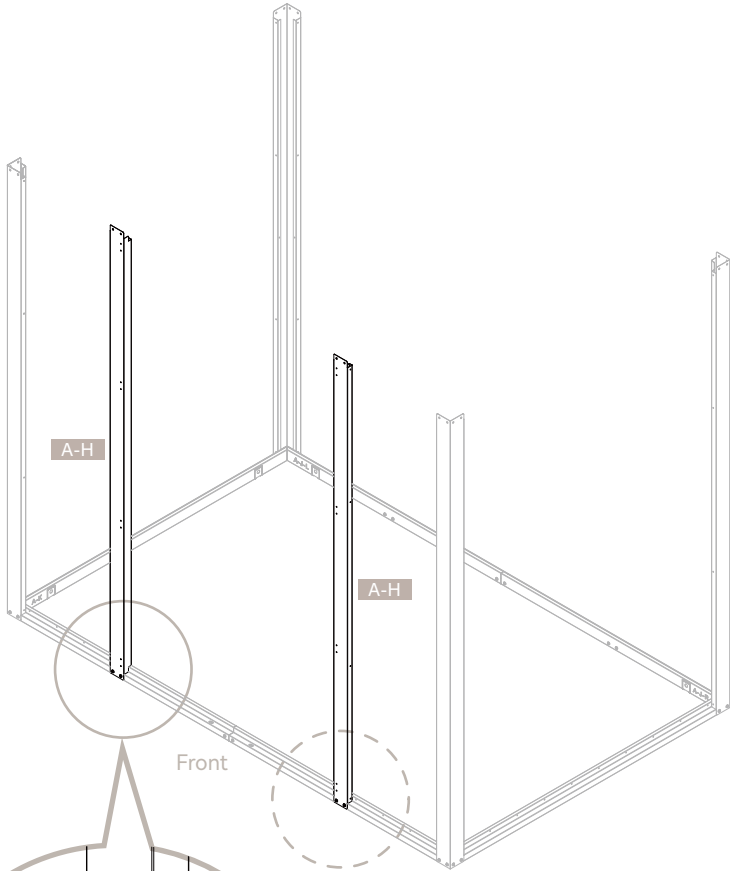
1.5



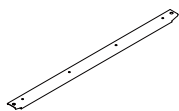
A-H (x2)



M4 X 10 b (x4)



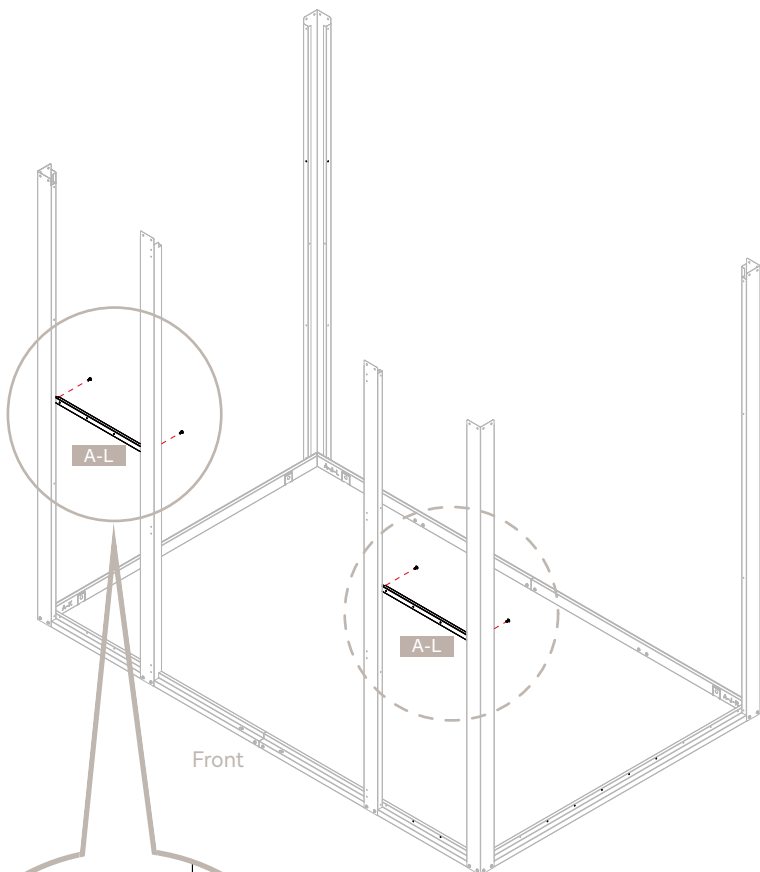
1.6



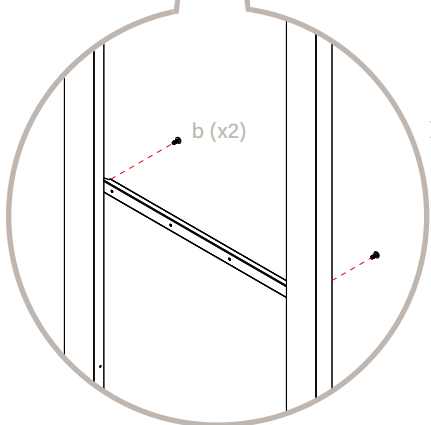
A-L (x2)



M4 X 10 b (x4)



Front

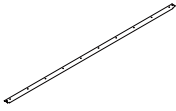


b (x2)

x2



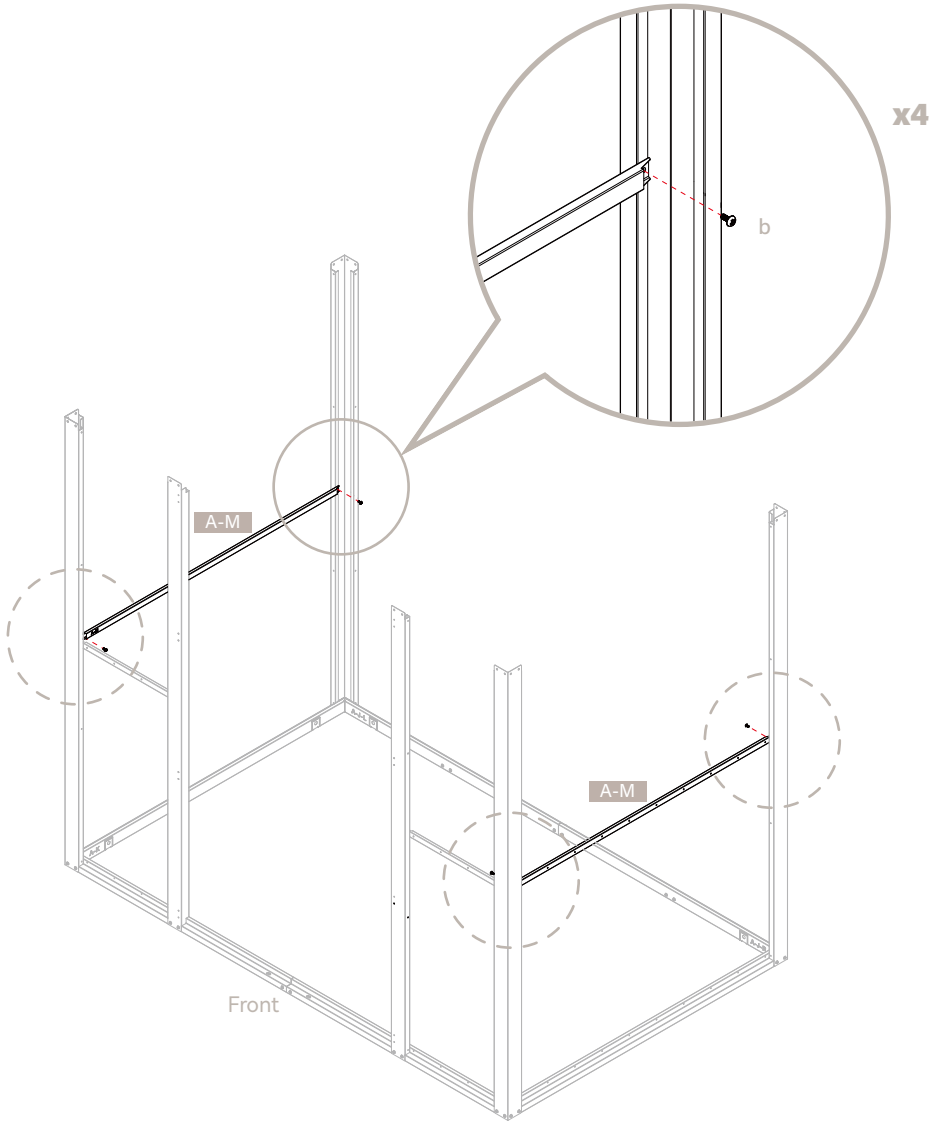
1.7



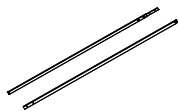
A-M (x2)



M4 X 10 b (x4)



1.8

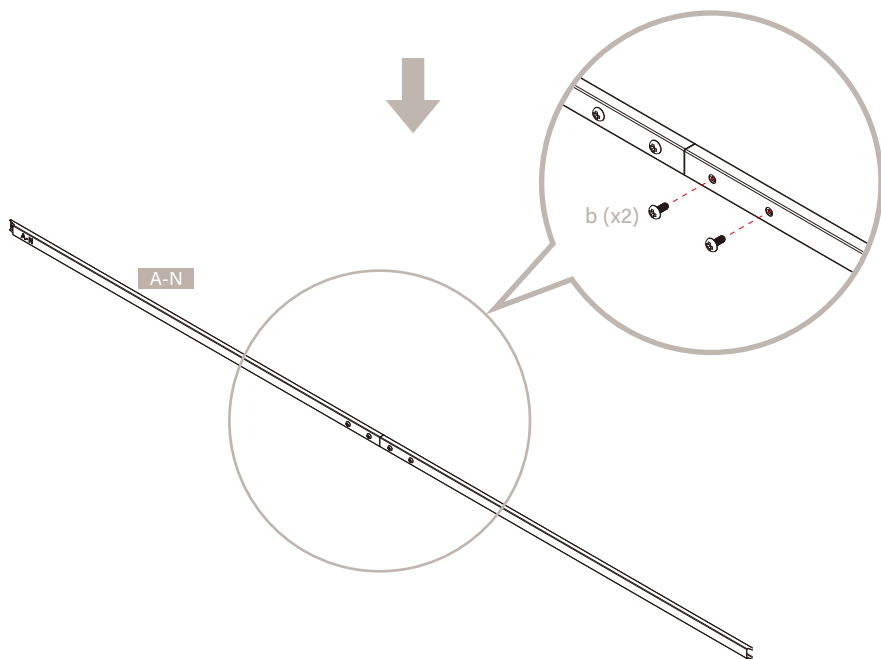
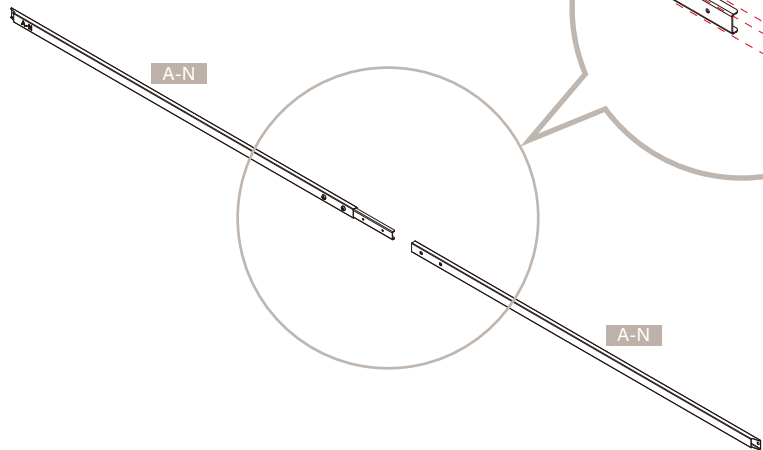


A-N (x2)



M4 X 10 b (x2)

Insert the connection



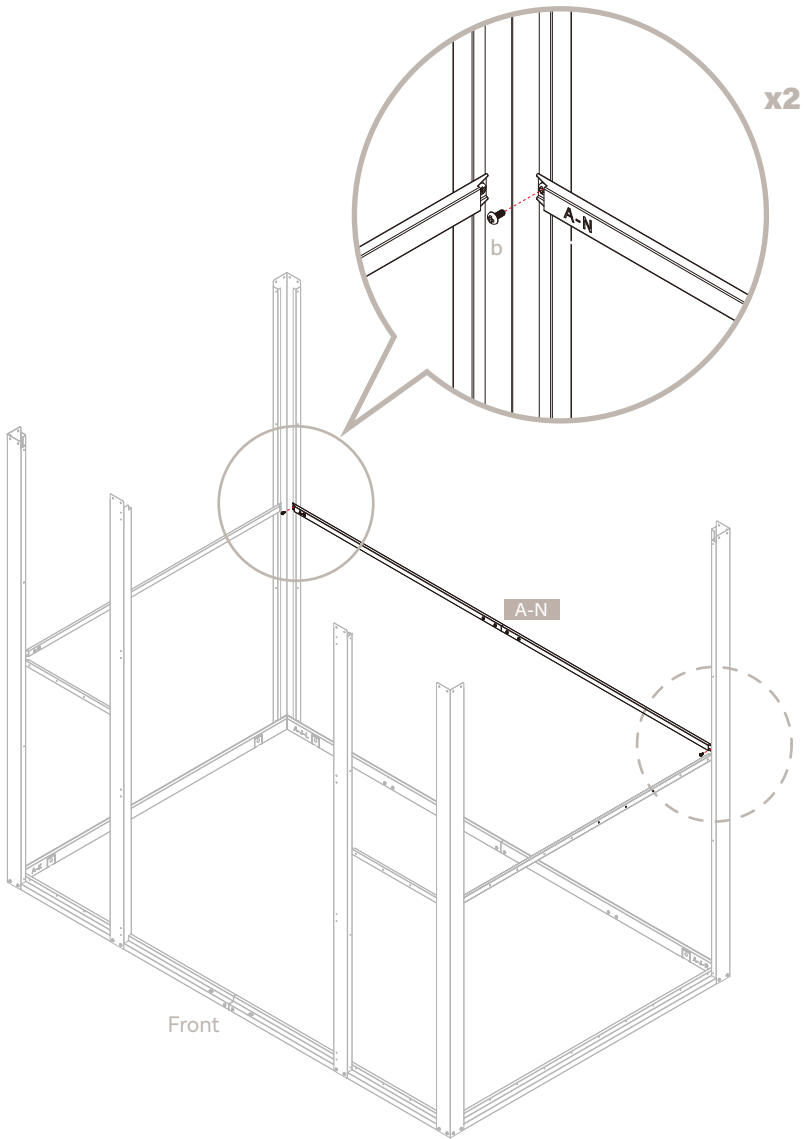
1.9



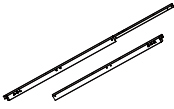
A-N



M4 X 10 b (x2)



2.0

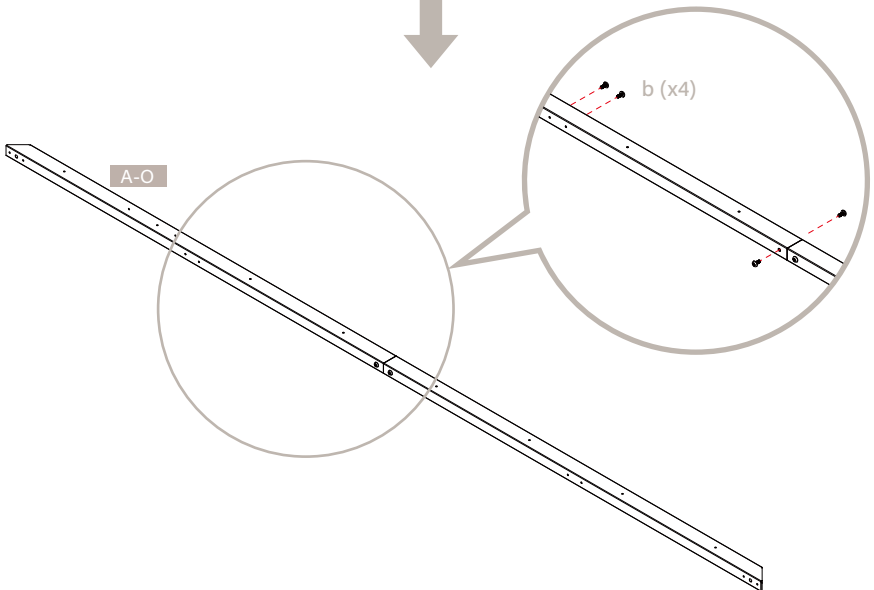
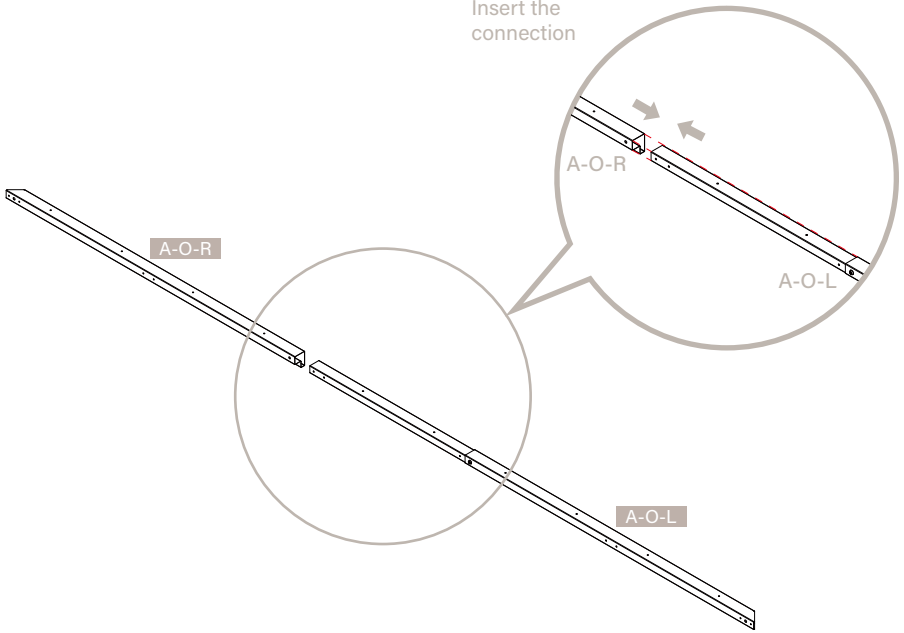


A-O (x2)

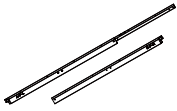


M4 X 10 b (x4)

Insert the connection



2.1

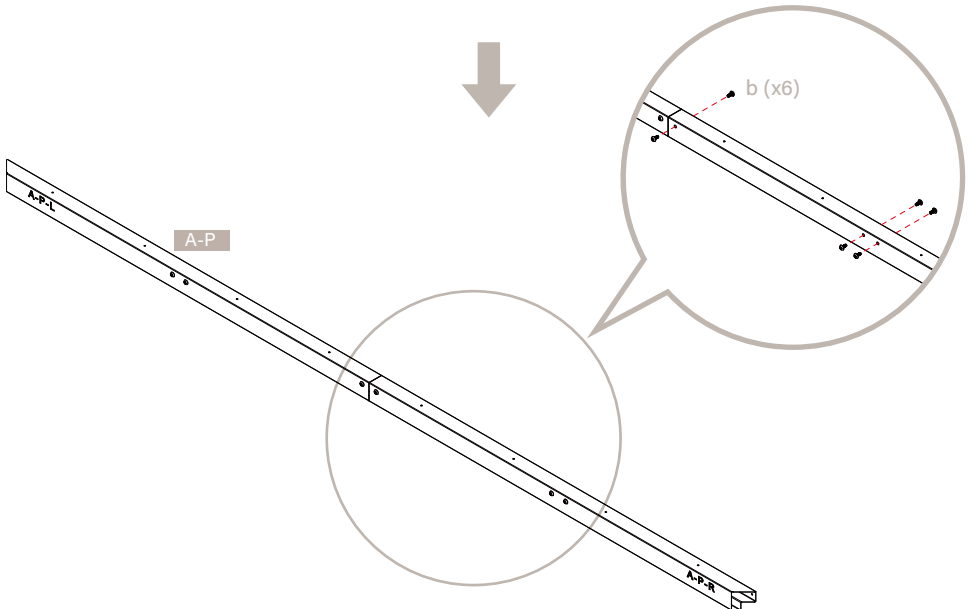
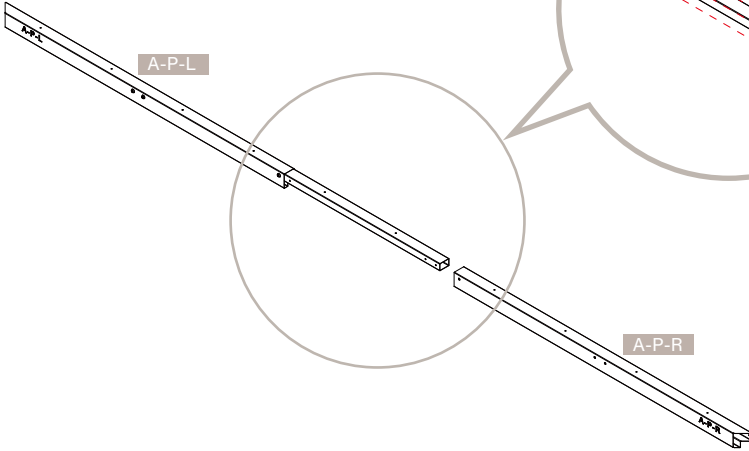


A-P (x2)

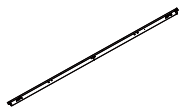


M4 X 10 b (x6)

Insert the connection



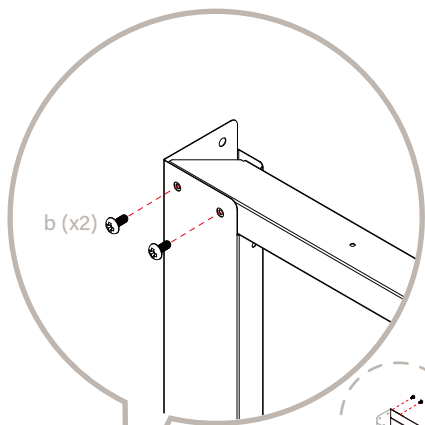
2.2



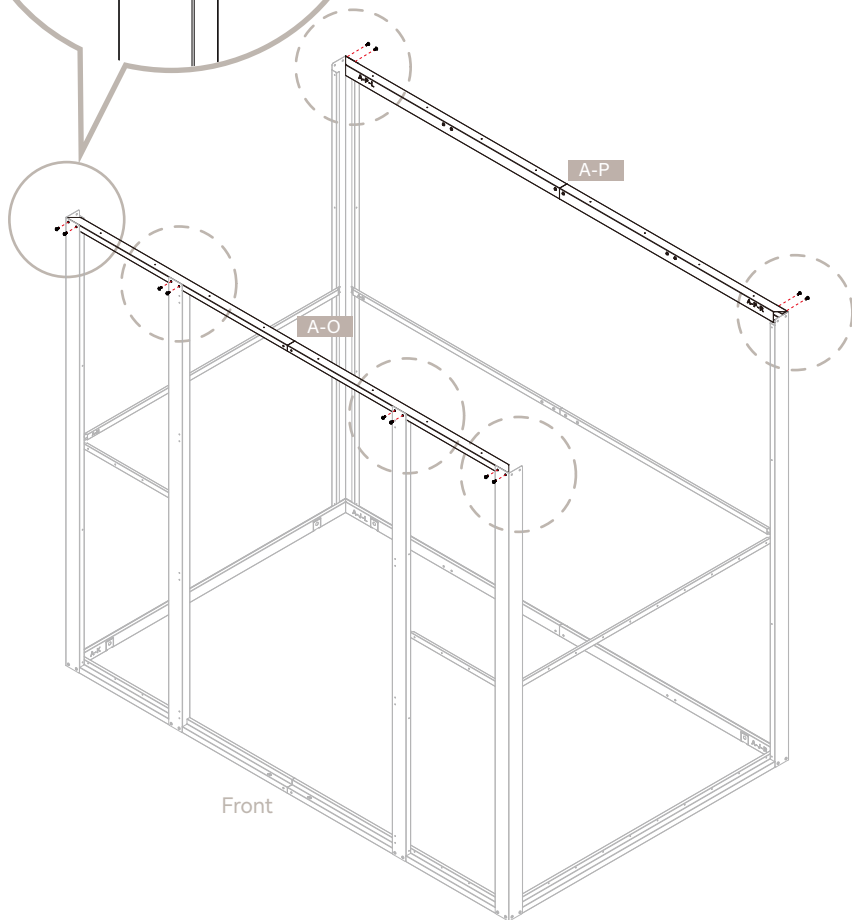
A-P (x2)



M4 X 10 b (x12)



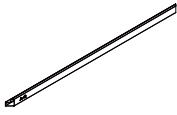
x6



Front



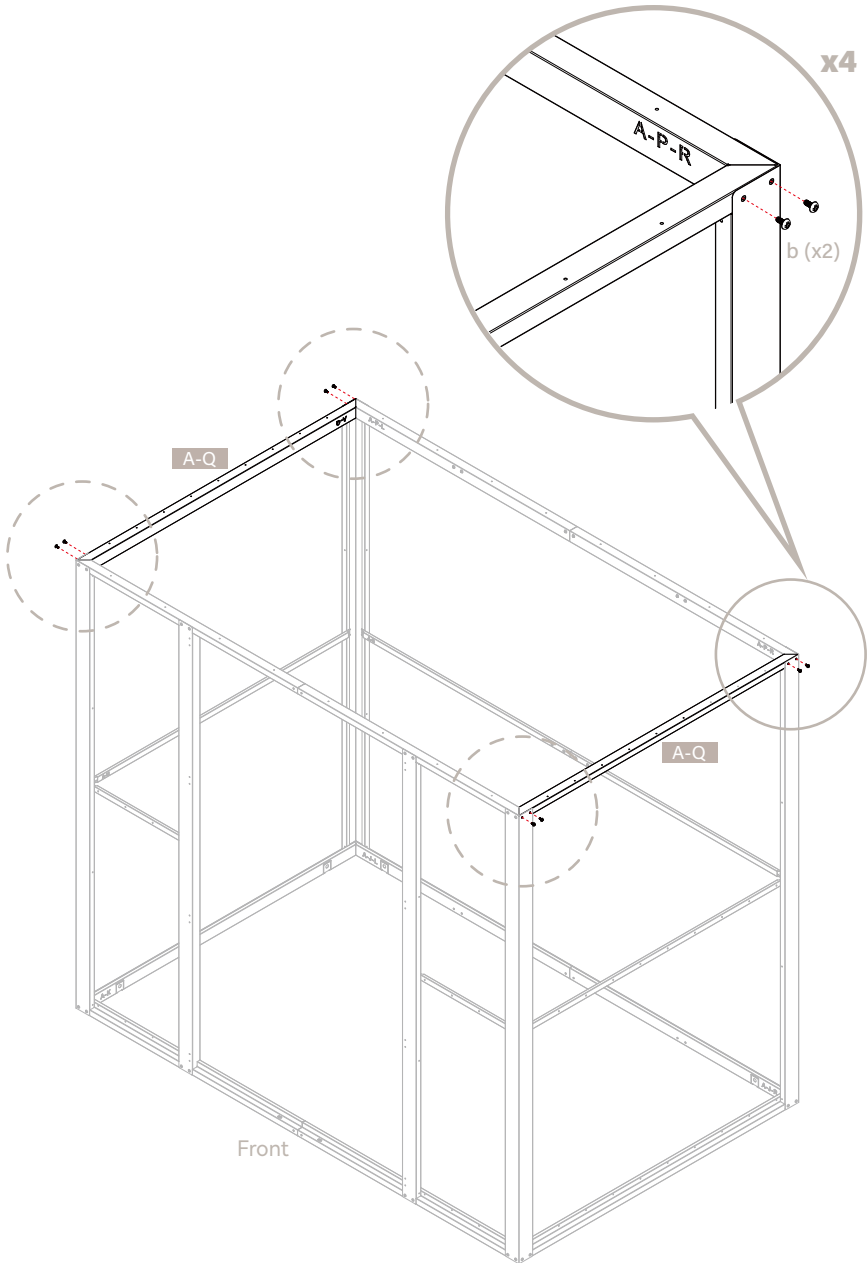
2.3



A-Q (x2)

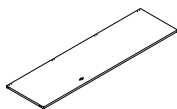


M4 X 10 b (x8)



Door Assemble

3.1



D-R



Y



e (x2)

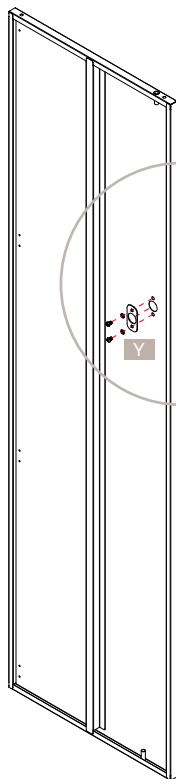
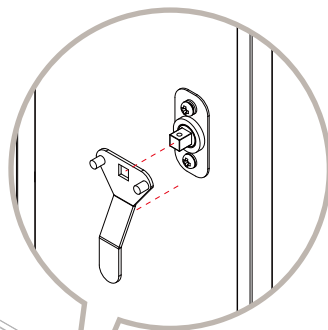
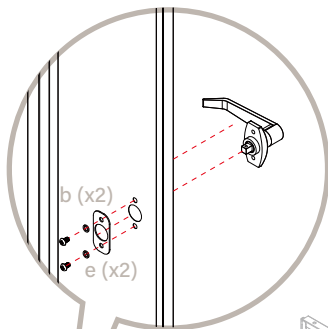


M4 X10

b (x2)

D-R

Inside



D-R

Y

Y

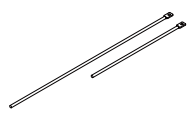


D-R

Y



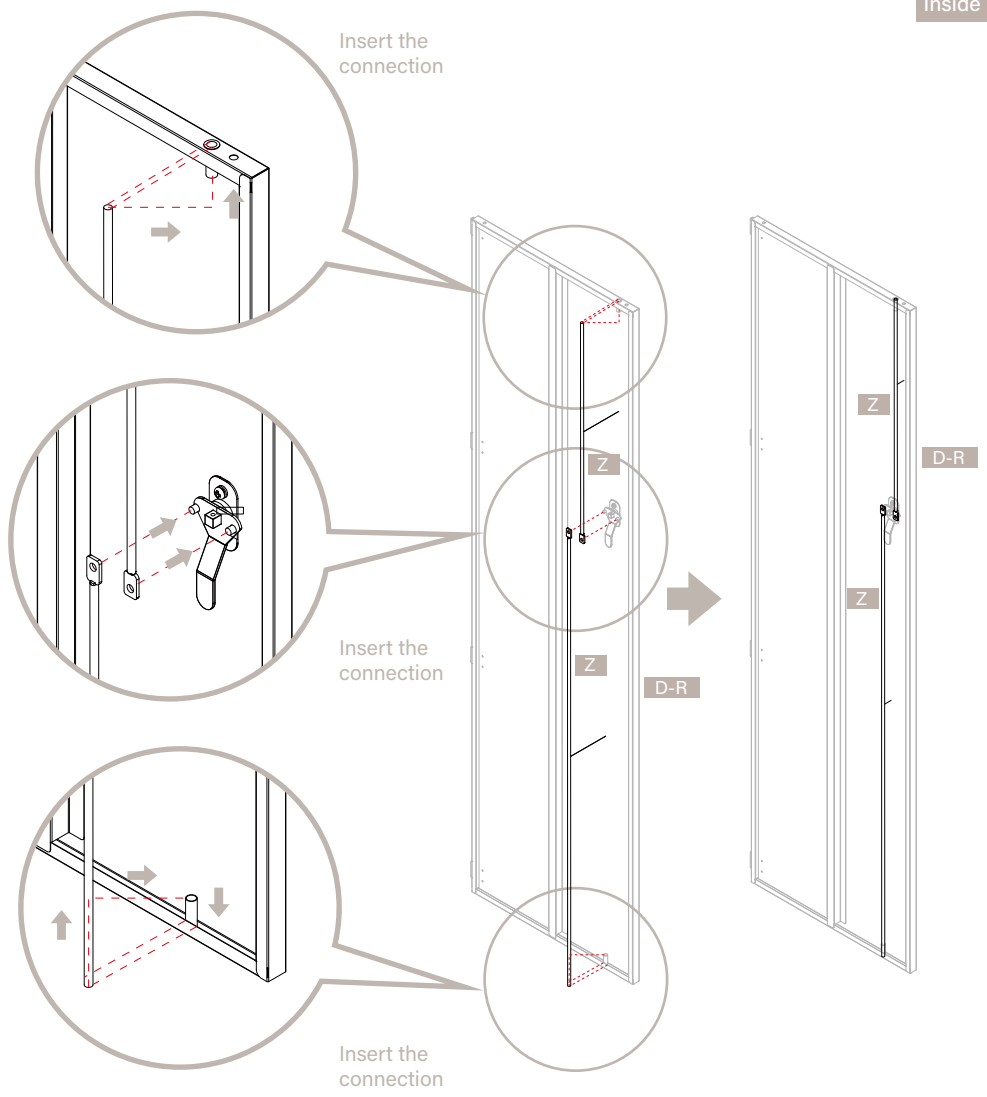
3.2



Z (x2)

D-R

Inside



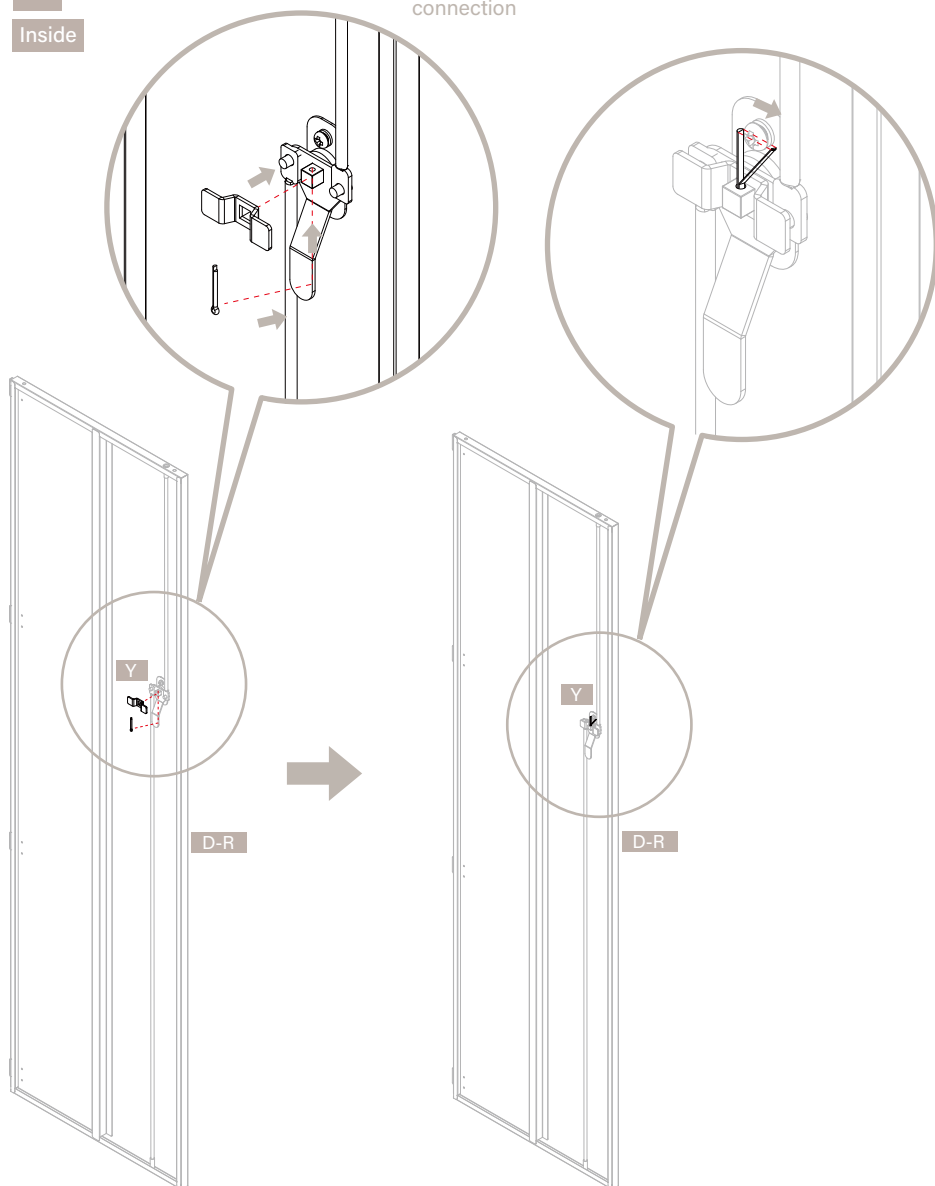
3.3



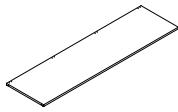
D-R

Inside

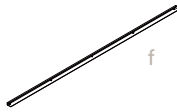
Insert the connection



3.4



D-L



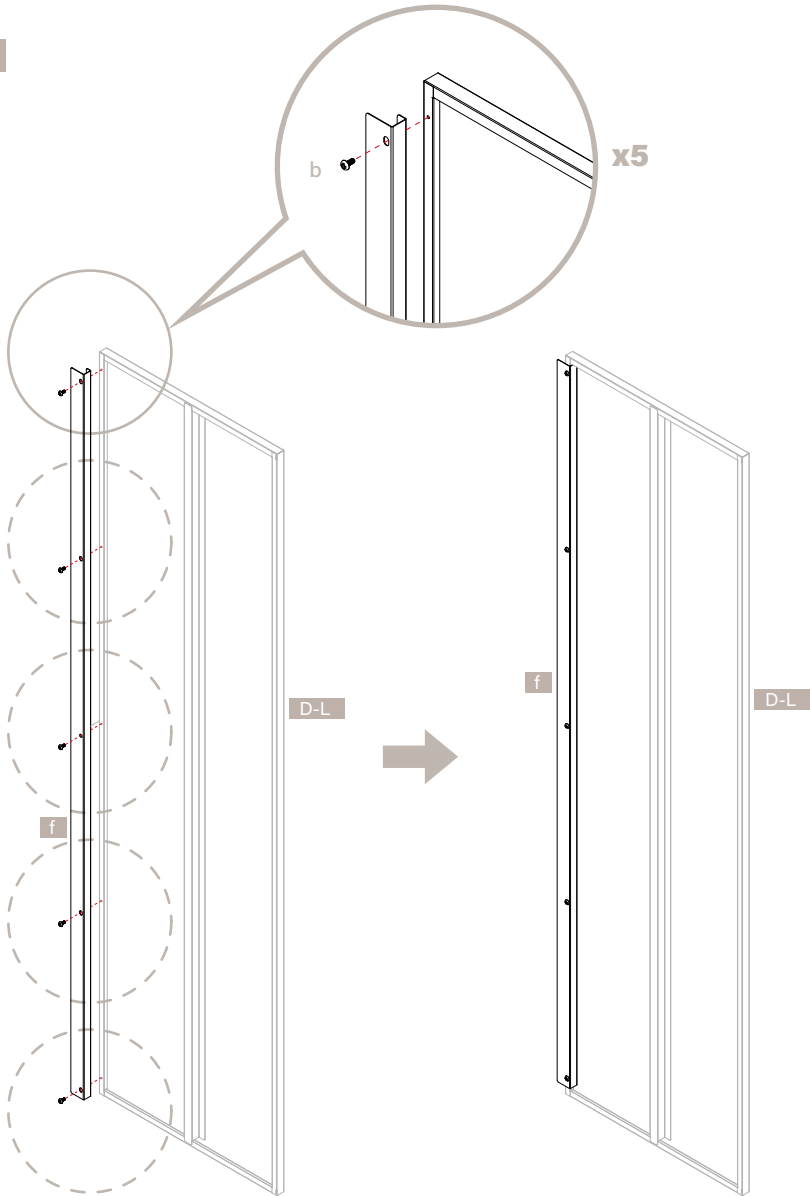
f



M4 X 10 b (x5)

D-L

Inside



3.5

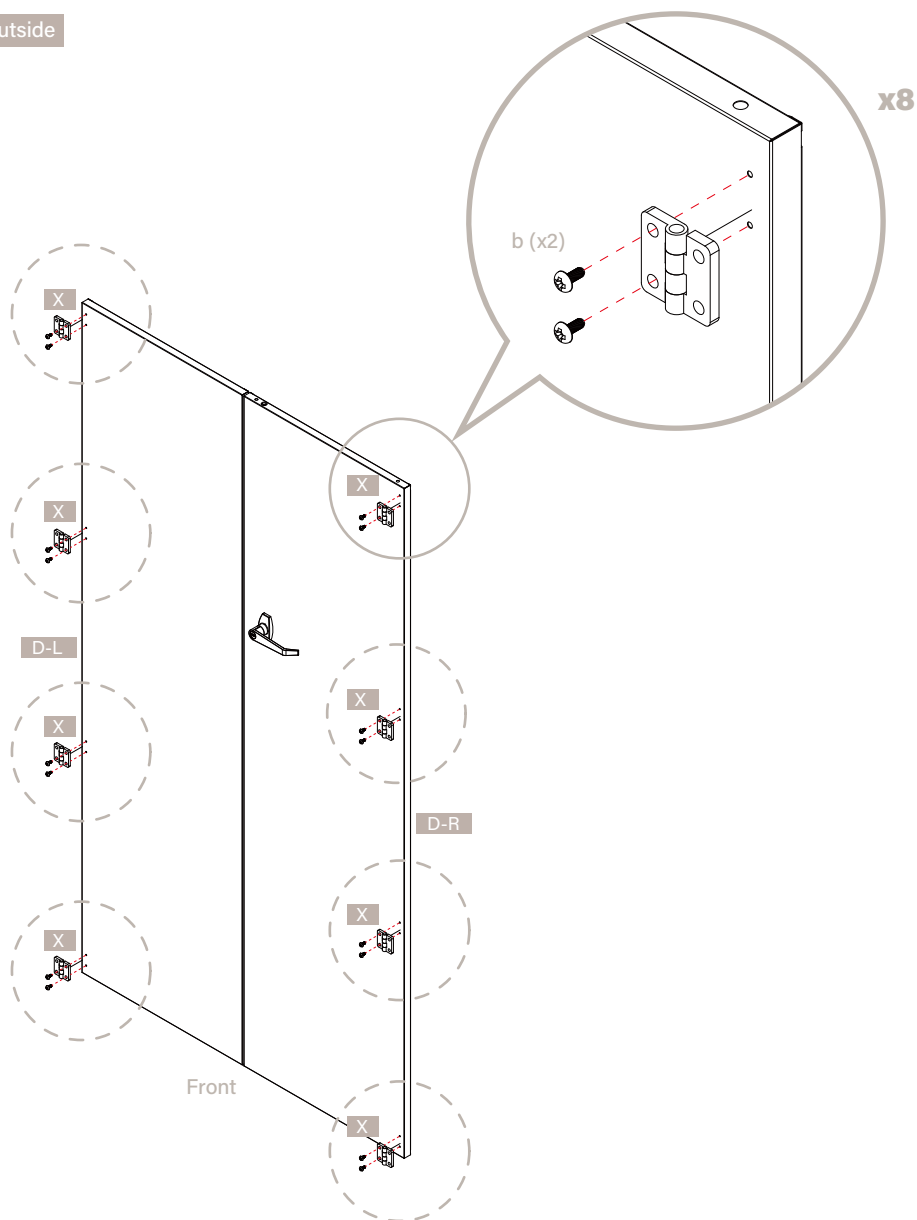


X (x8)



M4 X 10 b (x16)

Outside

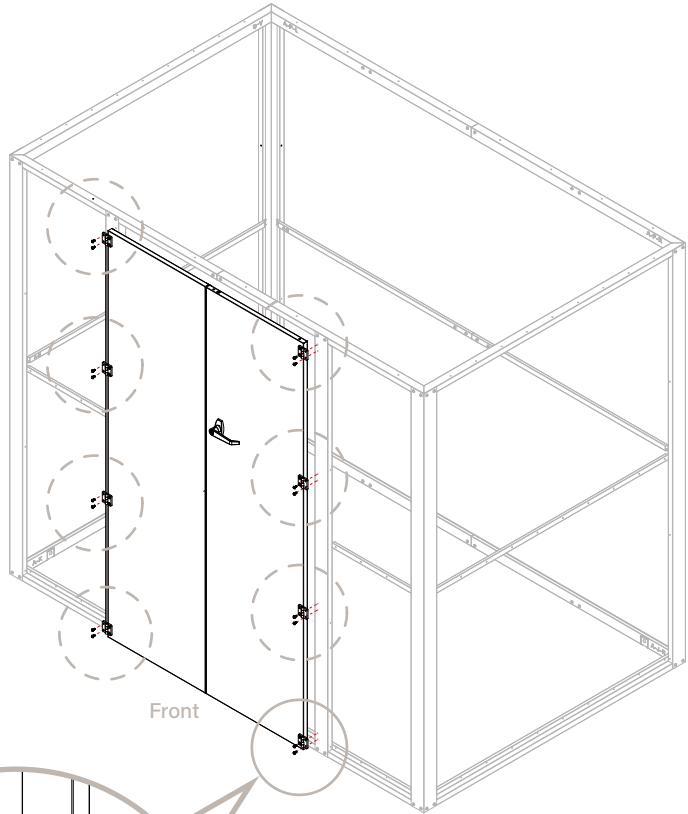


3.6



M4 X 10 b (x16)

Outside



Front

x8

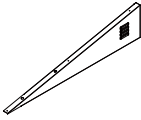
b (x2)



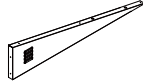
Shed Top Frame Assemble



4.1



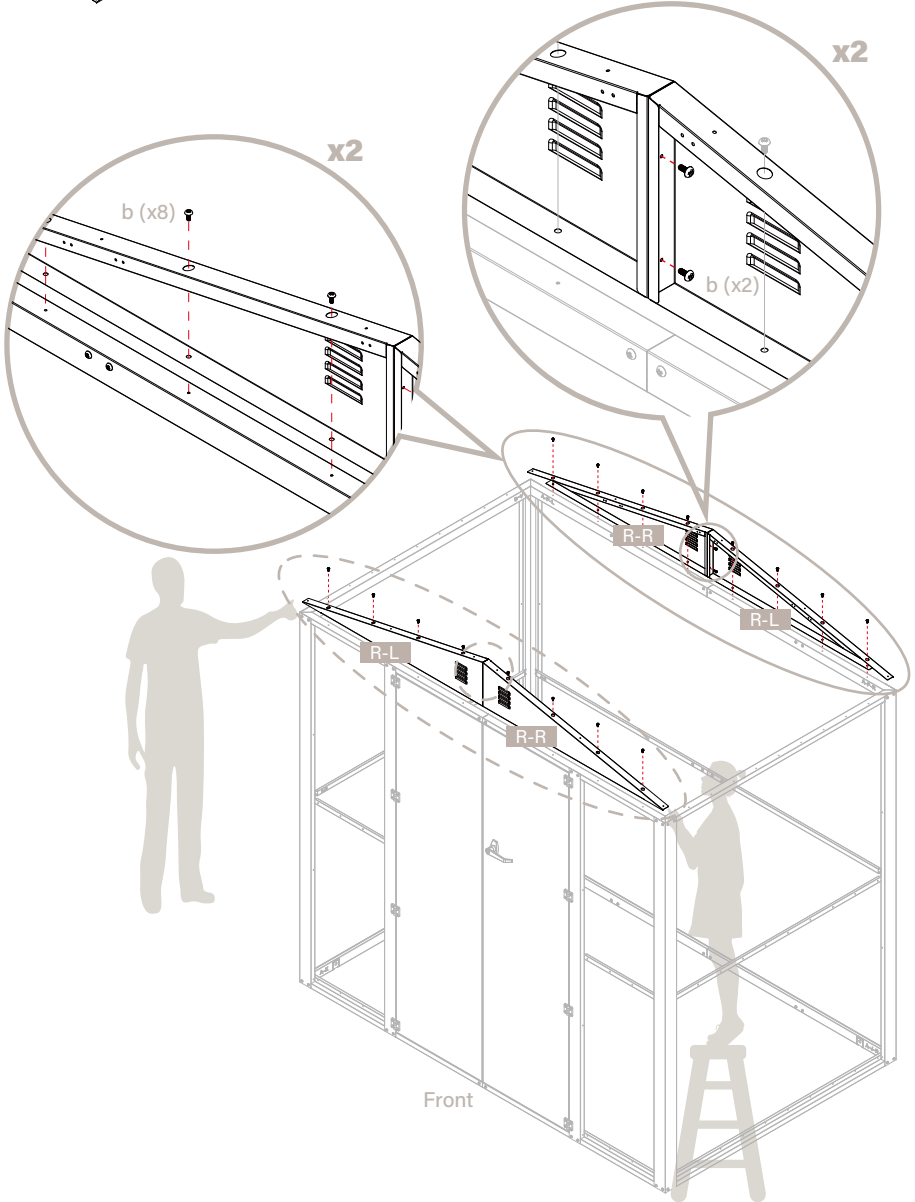
A-R-R (x2)



A-R-L (x2)

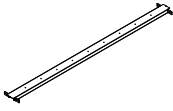


M4 X 10 b (x20)





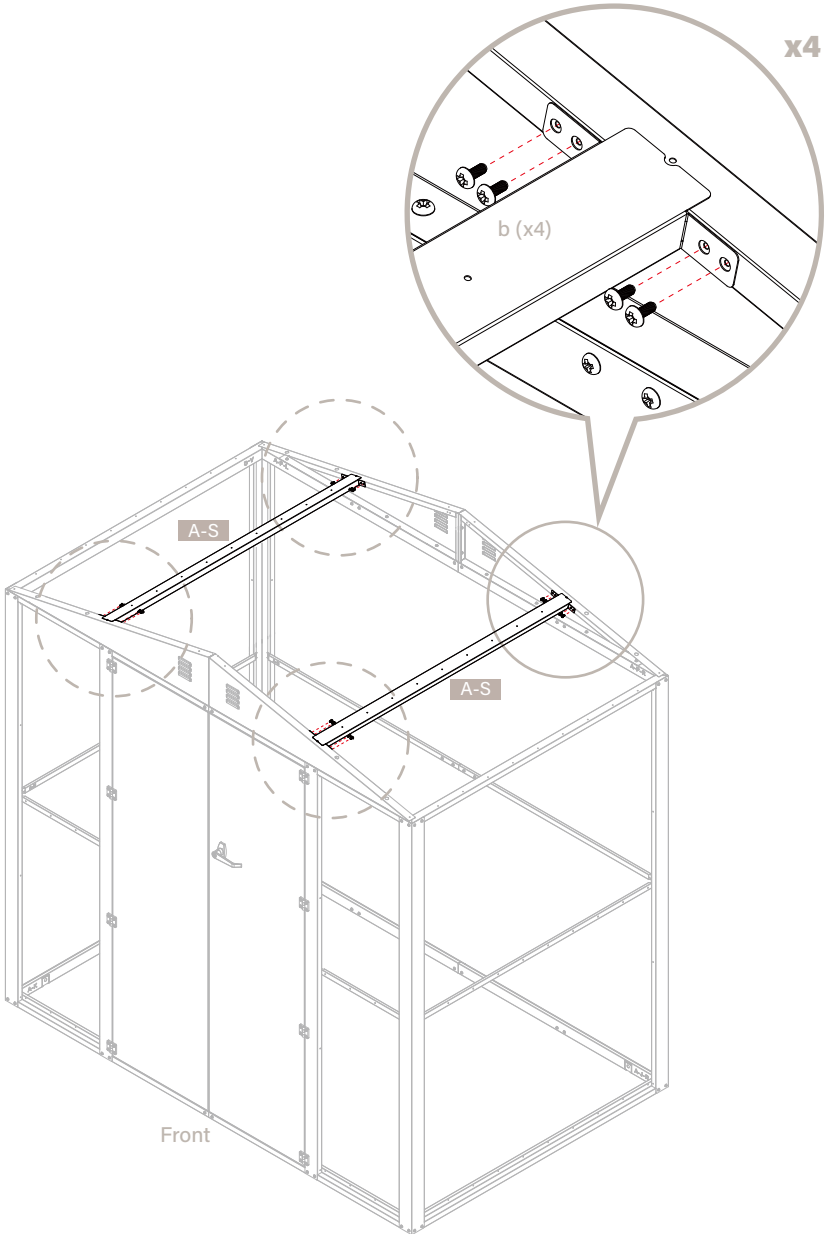
4.2



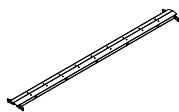
A-S (x2)



M4 X 10 b (x16)



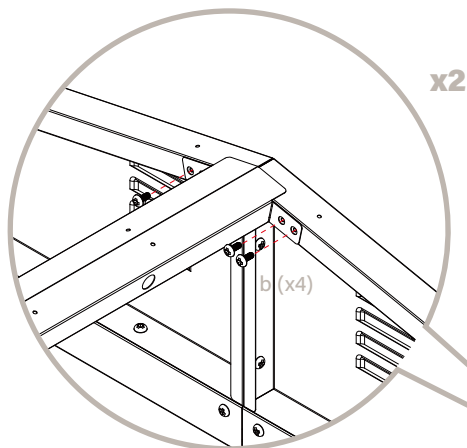
4.3



A-T

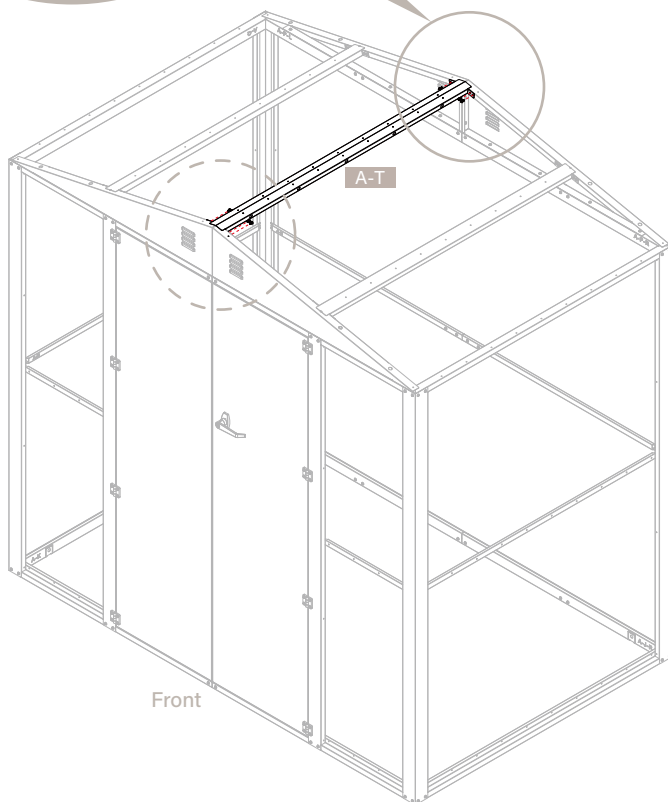


M4 X 10 b (x8)



x2

b (x4)

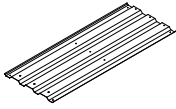


A-T

Front



Shed Top Panels Assemble

5.1


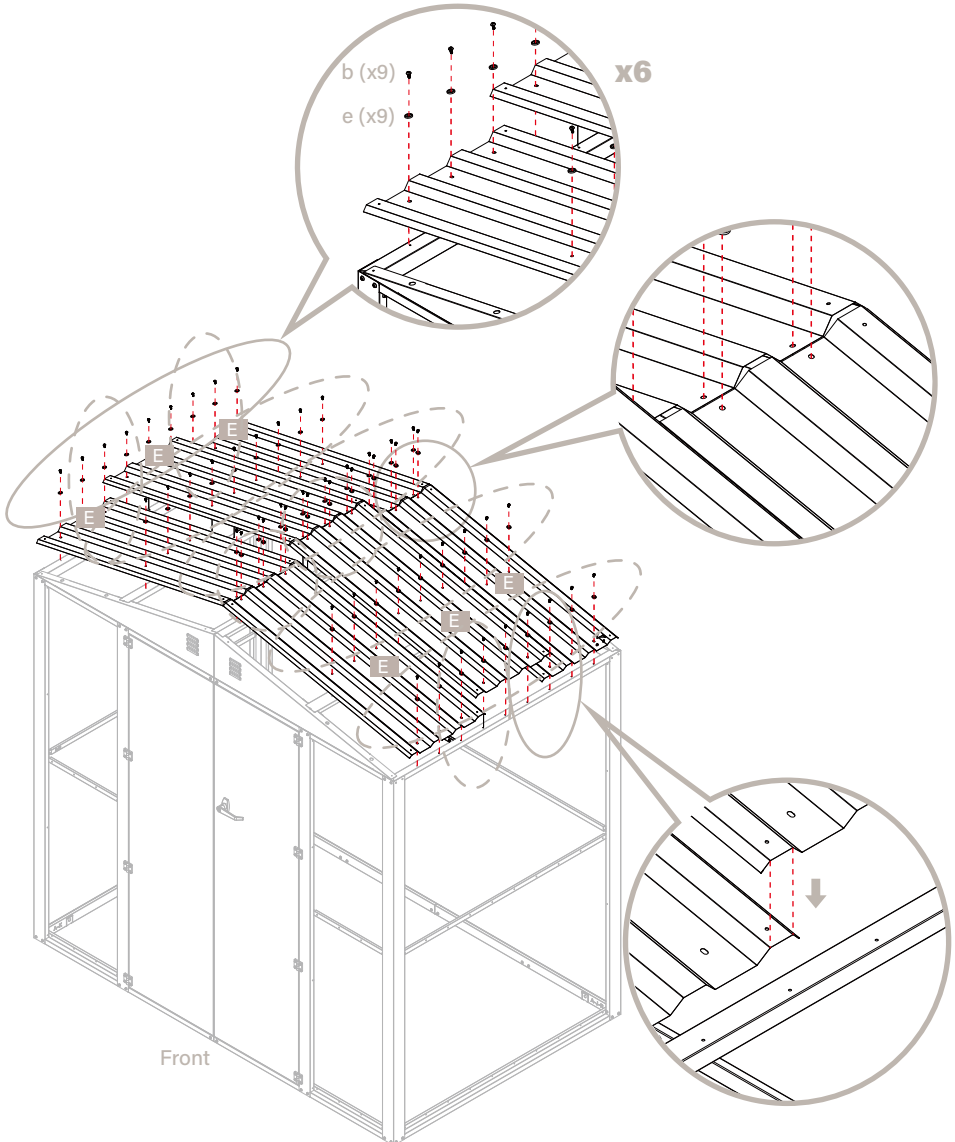
E (x6)

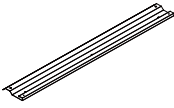


e (x54)



M4 X 10 b (x54)





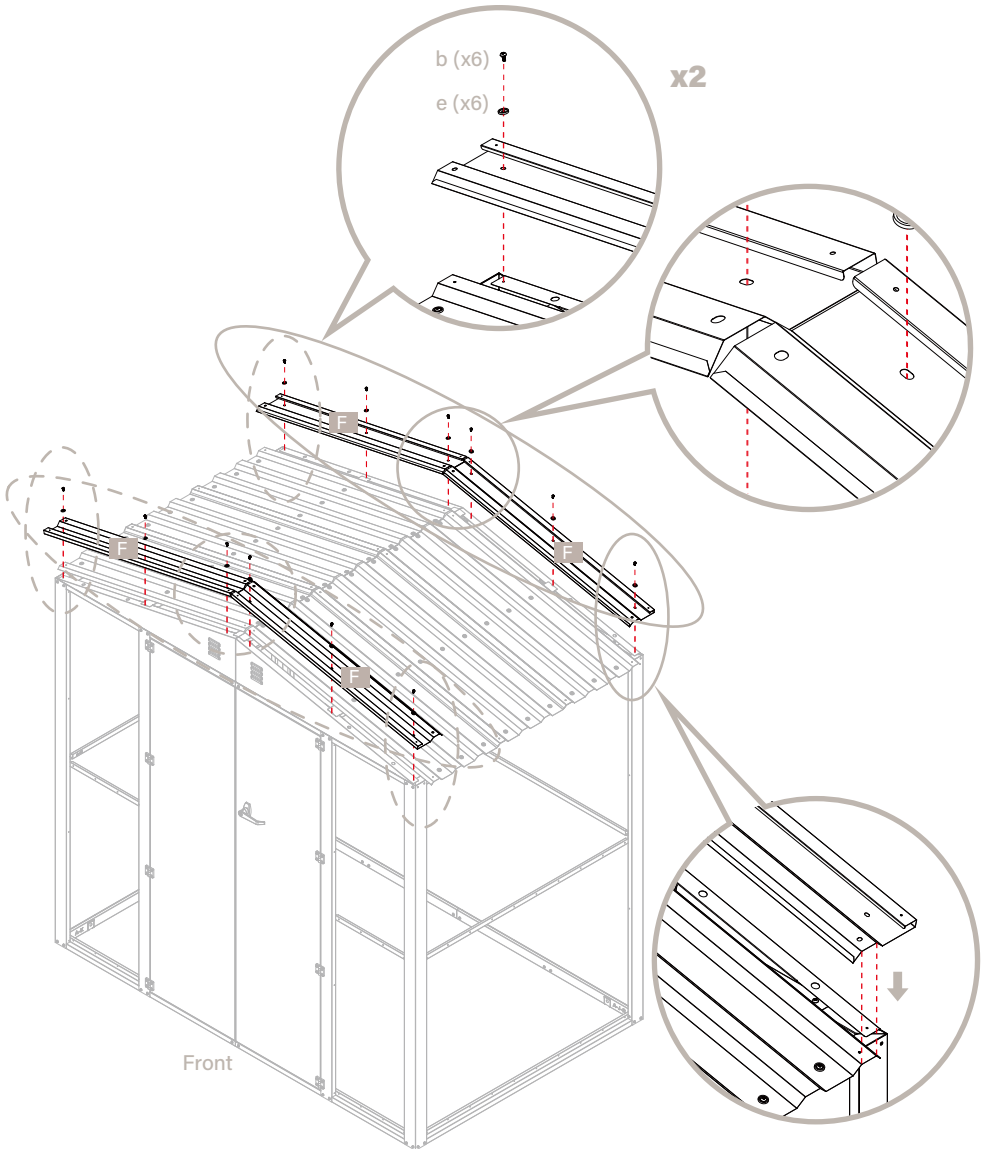
F (x4)



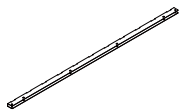
e (x12)



M4 X 10 b (x12)



5.3



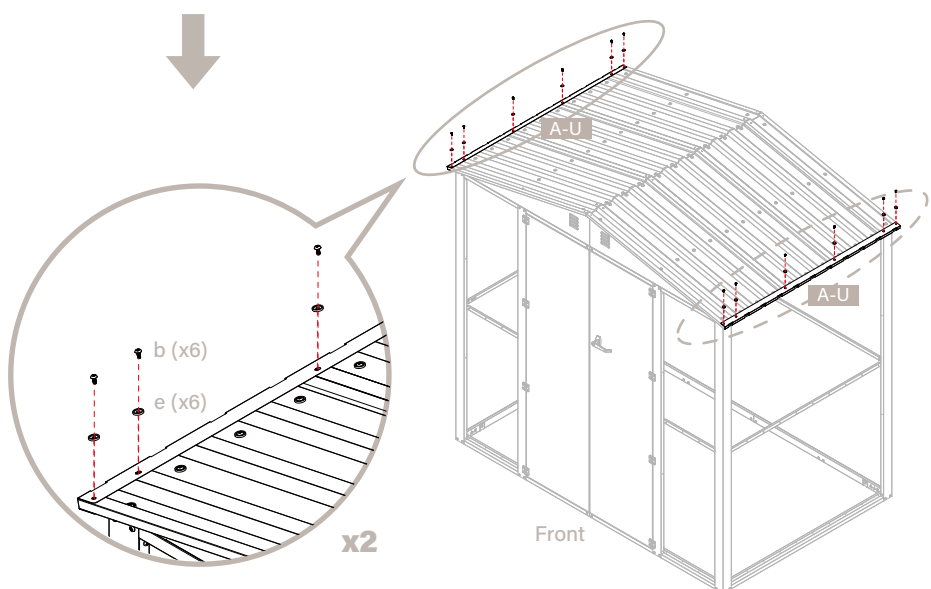
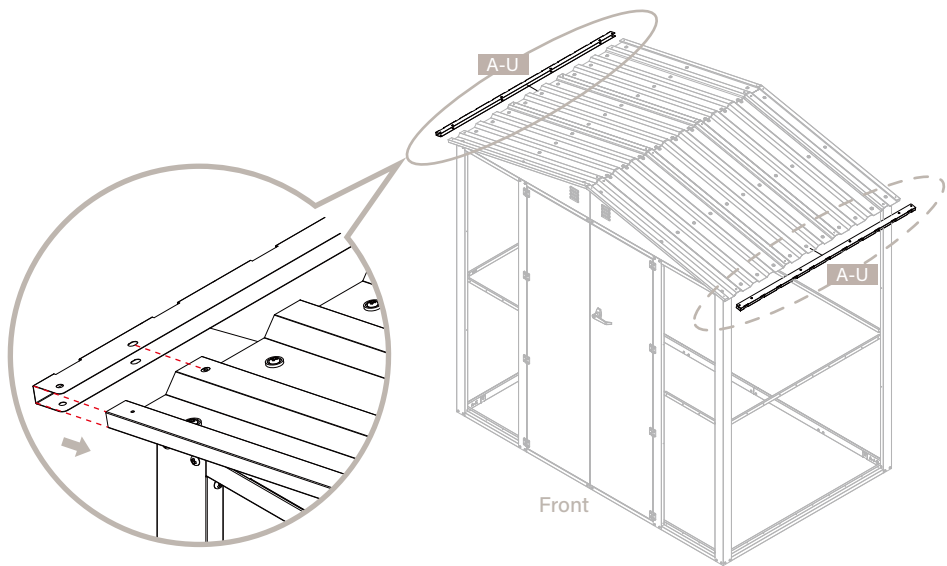
A-U (x2)



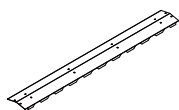
e (x12)



M4 X 10 b (x12)



5.4



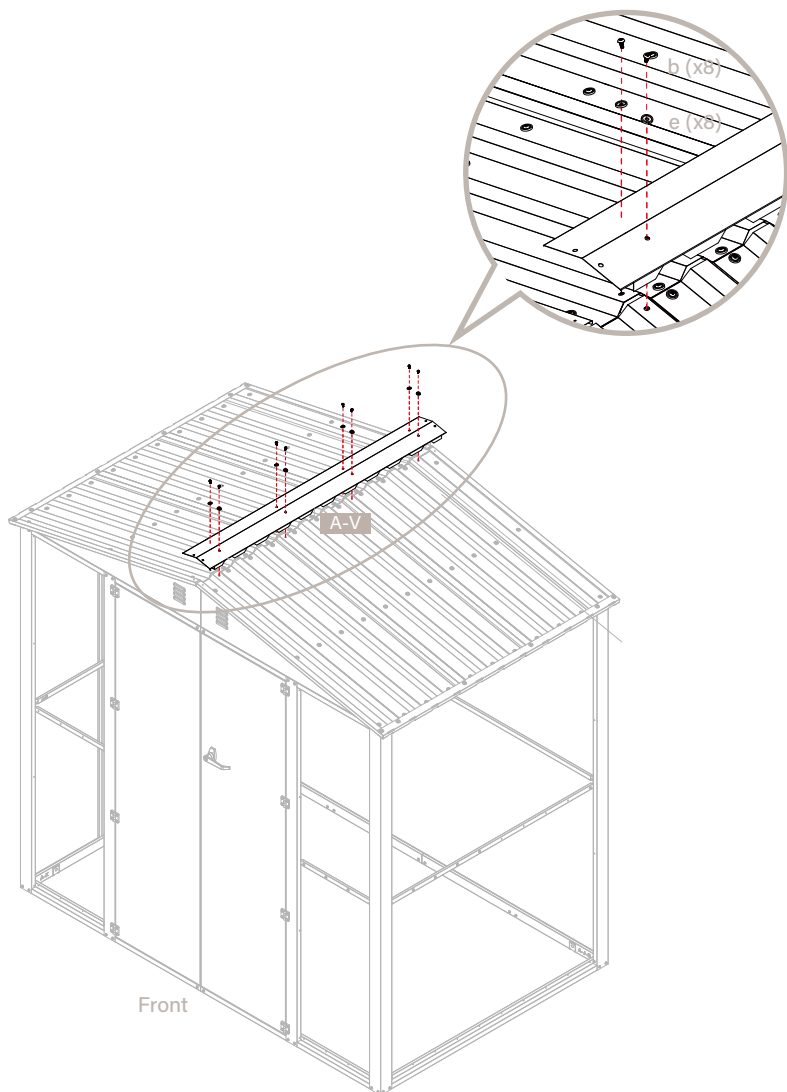
A-V



e (x8)



M4 X 10 b (x8)



5.5



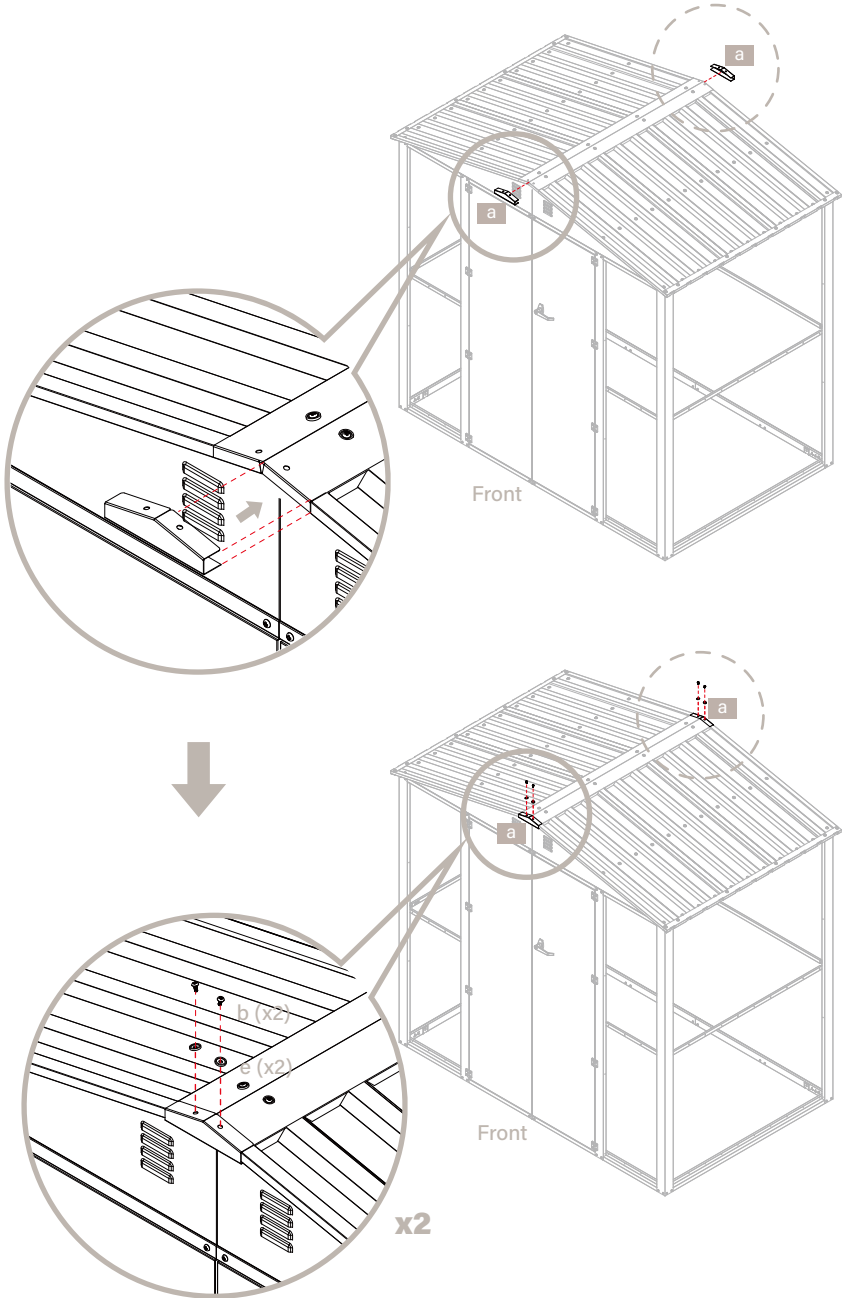
a (x2)



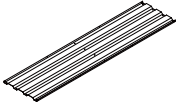
e (x4)



M4 X 10 b (x4)



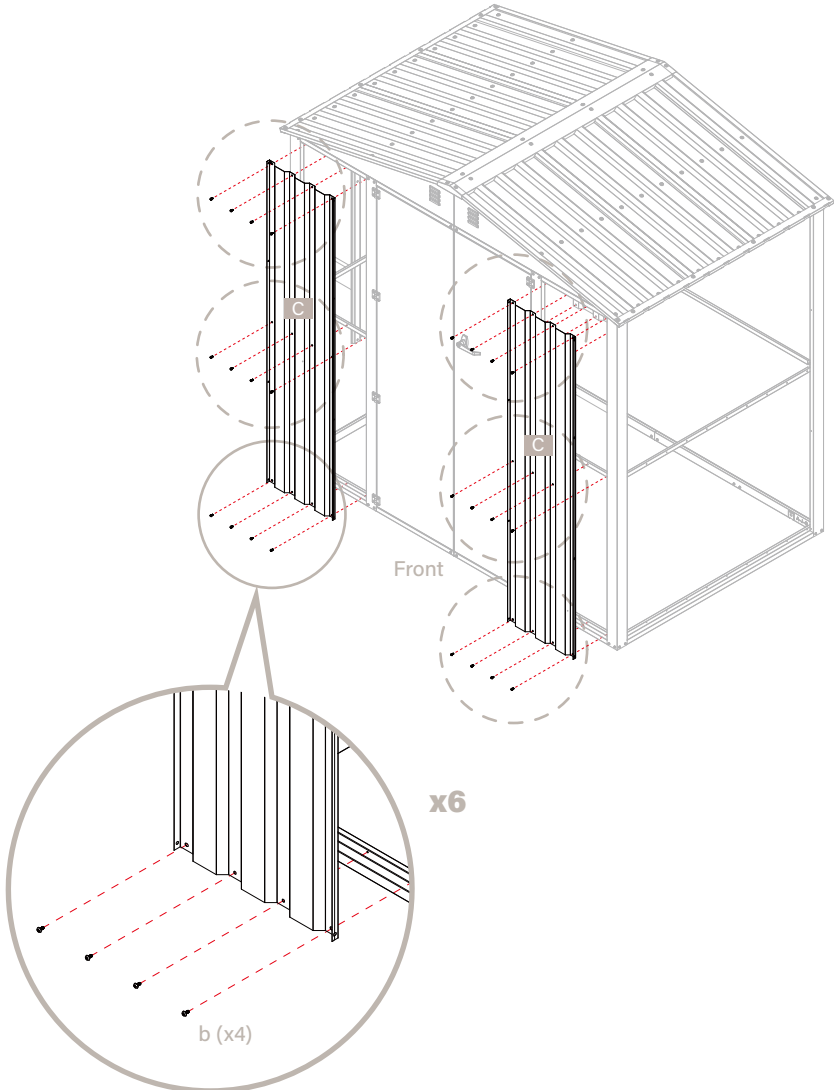
Shed Side Panels Assemble

6.1

C (x2)



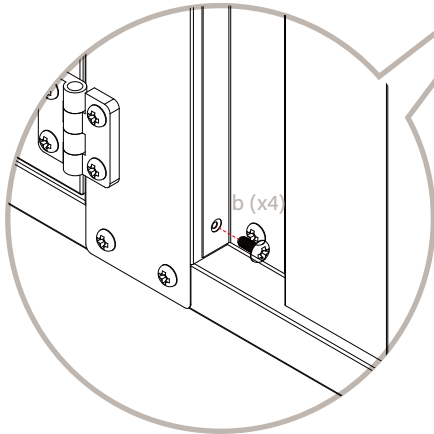
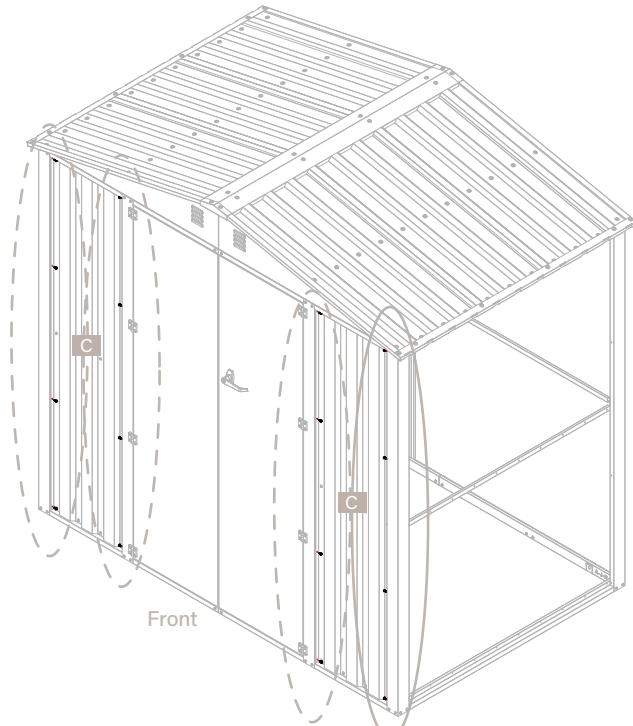
M4 X 10 b (x24)



6.2



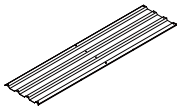
M4 X 10 b (x16)



x4



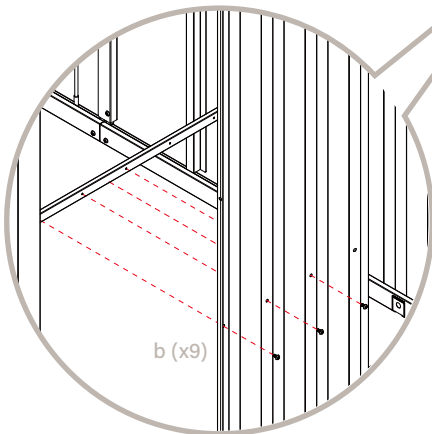
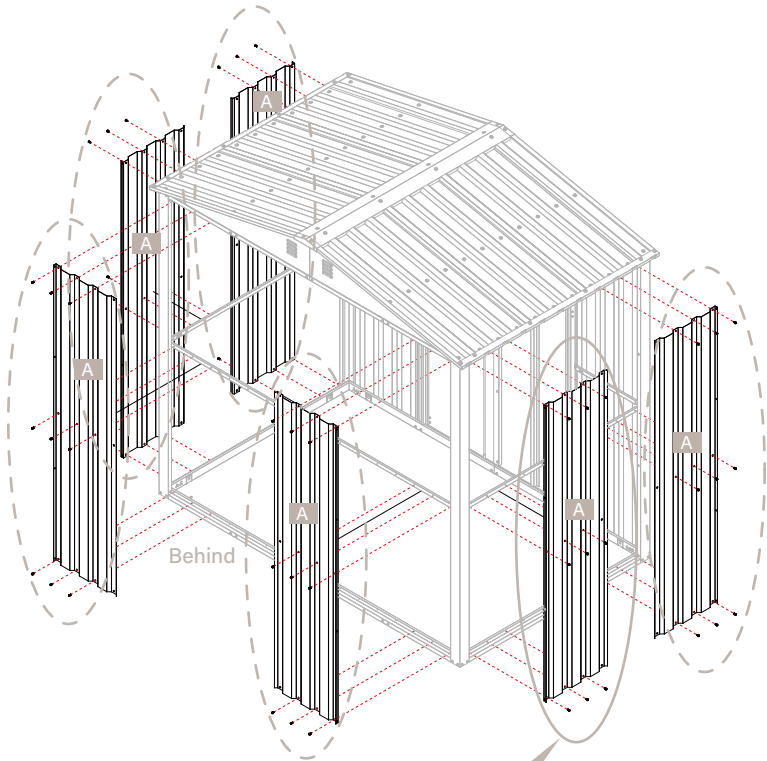
6.3



A (x6)



M4 X 10 b (x54)



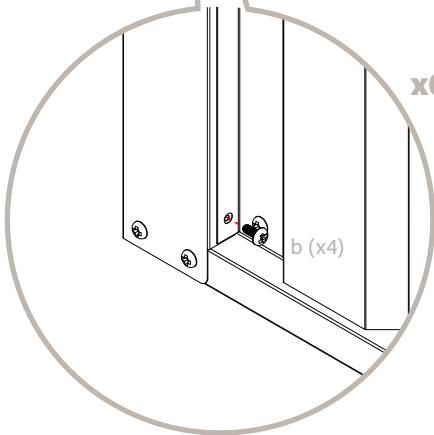
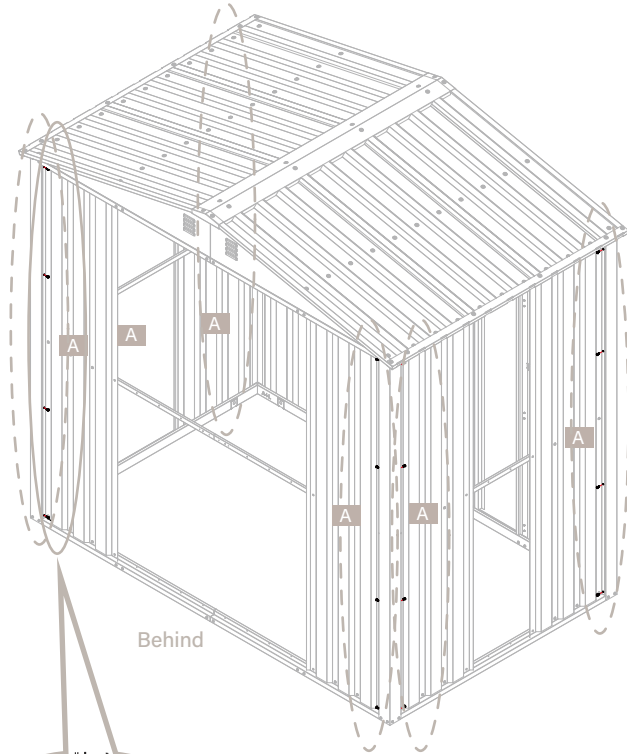
x6



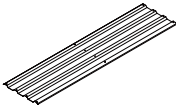
6.4



M4 X 10 b (x24)



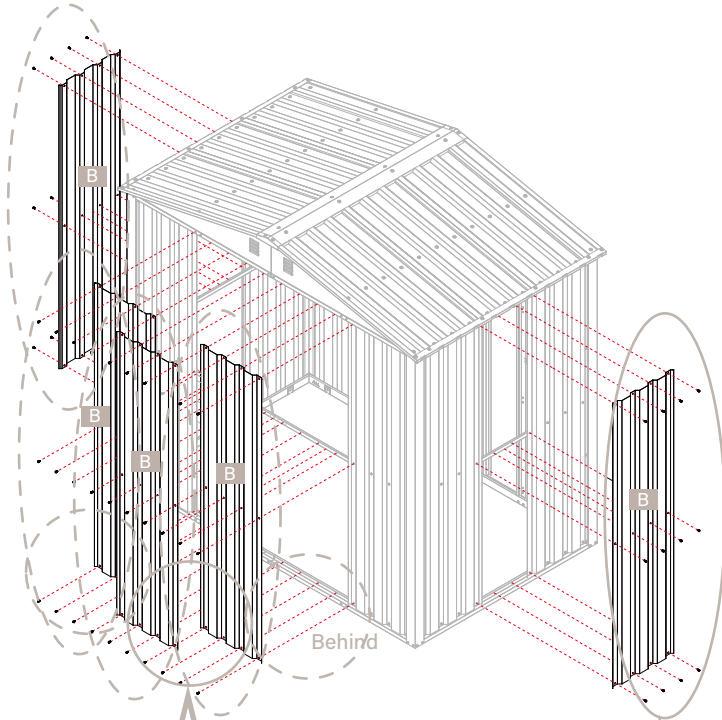
6.5



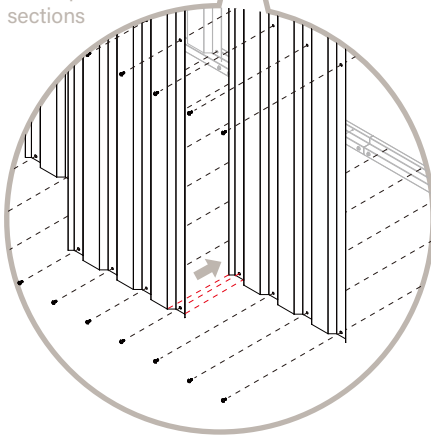
B (x5)



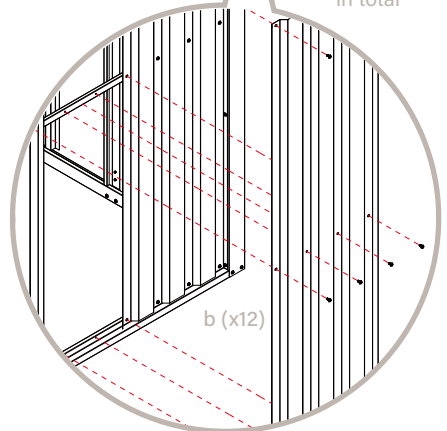
M4 X 10 b (x54)



Overlap in the sections



54 screws in total

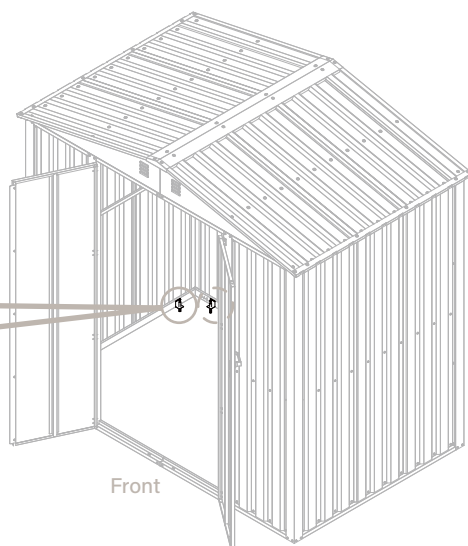
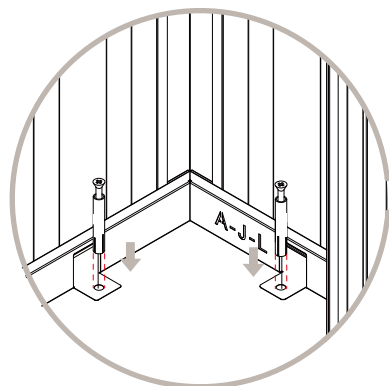
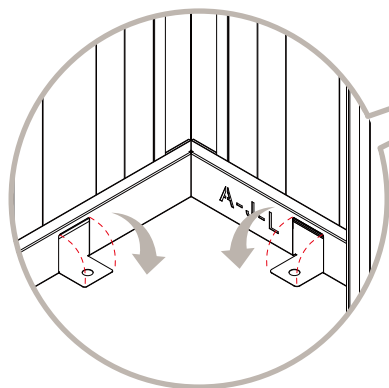
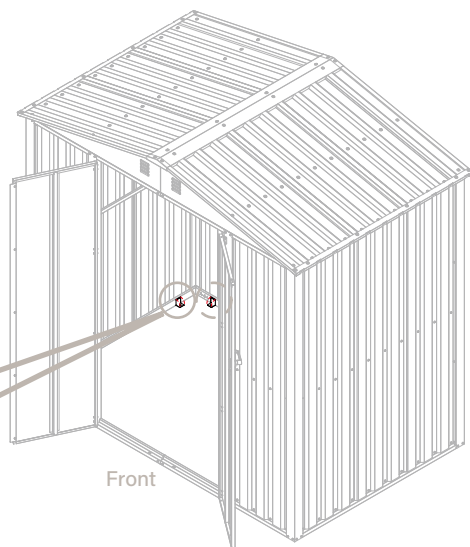
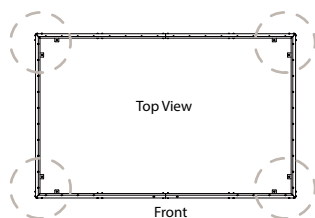


Reinforce Frame

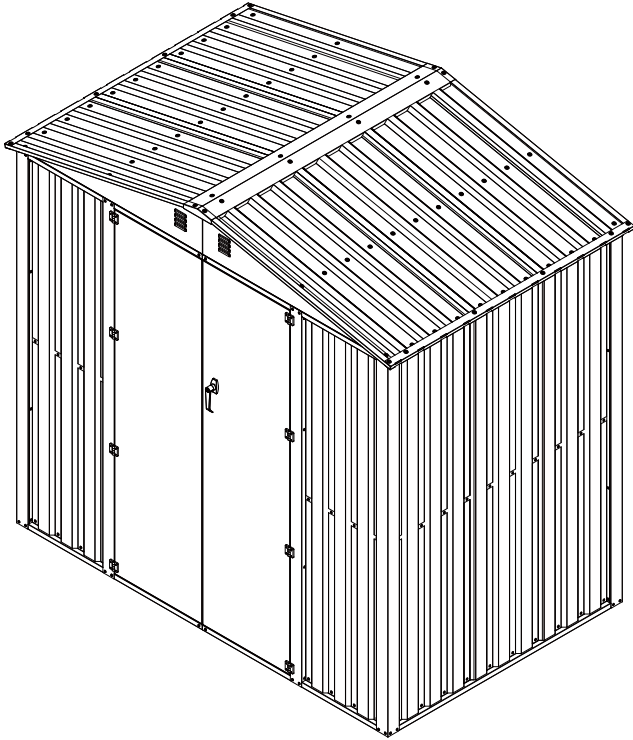
7.1



c (x8)



Complete





CUSTOMER SERVICE LETTER



LAUSAINT HOME CARES ABOUT EVERY CUSTOMER'S SHOPPING EXPERIENCE.



BEFORE RETURNING THE ITEM TO OUR WAREHOUSE

please contact us via email at customerservice@lausaint.com and provide the following details:

1. Purchase platform and order ID.
2. Product name or SKU.
3. Traceability code on the installation manual (such as: YQxxYxxW).
4. Close-up pictures clearly exhibiting product details (such as damaged packaging, faulty parts, damaged components, or missing parts). Please CIRCLE them on the installation manual.

Note: We will reply to you within 24 working hours after receiving your email.



Shipping Questions:

1. If you order an item with multiple packages, the packages will be delivered separately. The total number of boxes is indicated on the packaging.
2. Before contacting us regarding missing parts, please check and ensure that you have received **all** the boxes. In general, **all** boxes will arrive within 3 business days.
3. Please feel free to contact us if there is any delay.