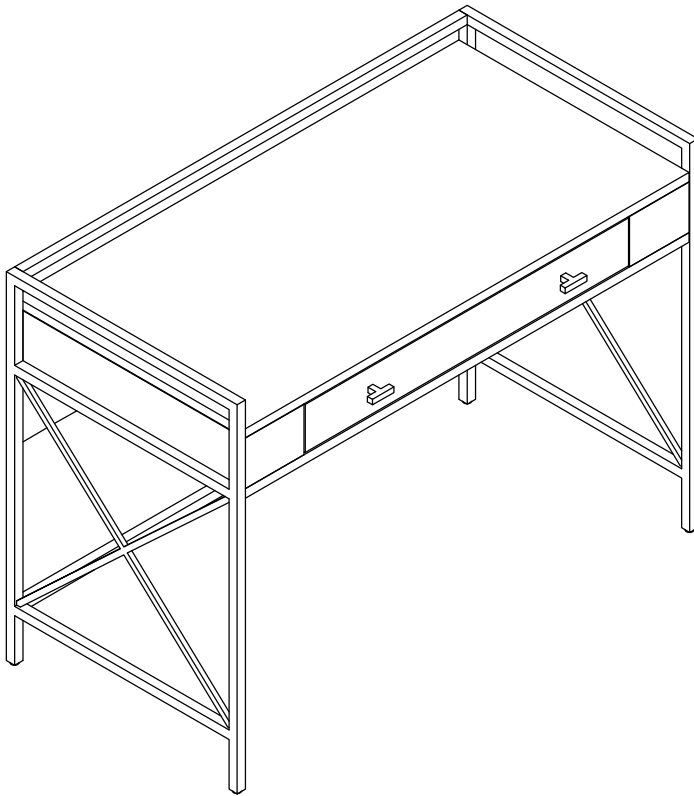


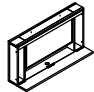
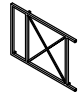

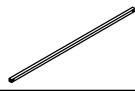




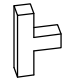

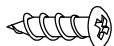
## Assembly Instructions, #9240-WTGL Claudette Desk

**Note:**

*A packet with complete set of hardware can be found by pulling the red ribbon that's easily visible upon opening the box.*

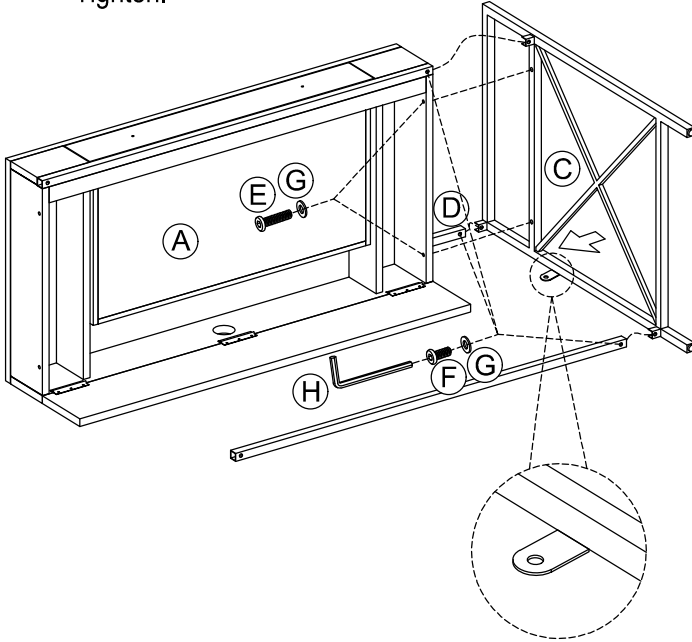


### Parts List

|   |                  |   |    |
|---|------------------|---|----|
| A | Top Assembly     |    | 1  |
| B | Left Side Frame  |   | 1  |
| C | Right Side Frame |  | 1  |
| D | Metal rails      |  | 2  |
| E | Long Bolts       |  | 4  |
| F | Short Bolts      |  | 6  |
| G | Flat Washers     |  | 10 |
| H | Allen Wrench     |  | 1  |
| I | Drawer Pulls     |  | 2  |
| J | Machine Screws   |  | 2  |
| K | Screws           |  | 2  |

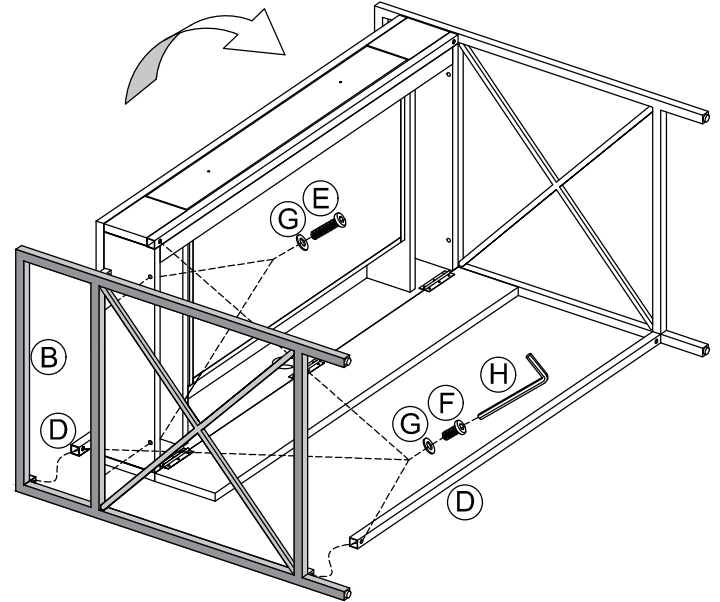
### Step 1

- 1.1)** Move up the desk top assembly at one top corner slightly to insert the metal tube onto side frame's metal tube, also make sure the side frame's metal tab goes underneath of the top assembly's back panel. Insert 2 metal rails onto right side frame, fasten top assembly and two metal rails with 3 short bolts and 3 washers. Do not tighten.
- 1.2)** Fasten the side panel of the top assembly onto the right side frame with 2 long bolts and 2 washers. Tighten.



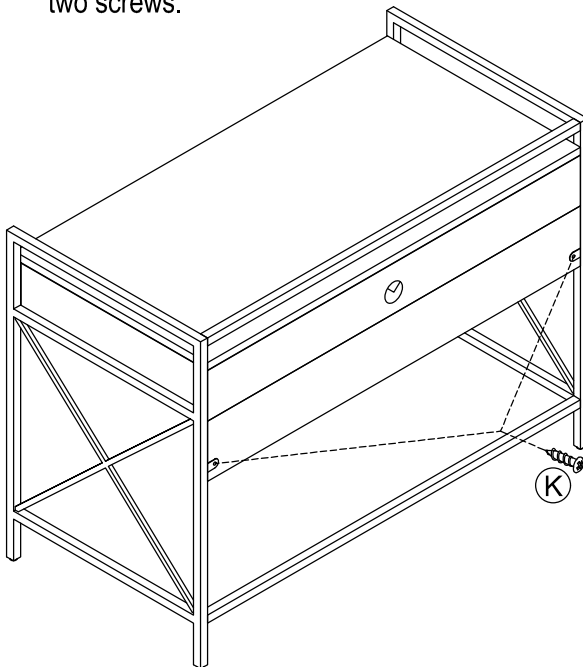
### Step 2

- 2.1)** Do the same assembly steps on the left side as step 1.1 and step 1.2.
- 2.2)** Push side frames onto metal rails leaving no gap between the metal frames and drawer box, tighten all bolts on step 1.1 and 2.1.
- 2.3)** Lift desk in direction of arrow below, two people recommended for lift.



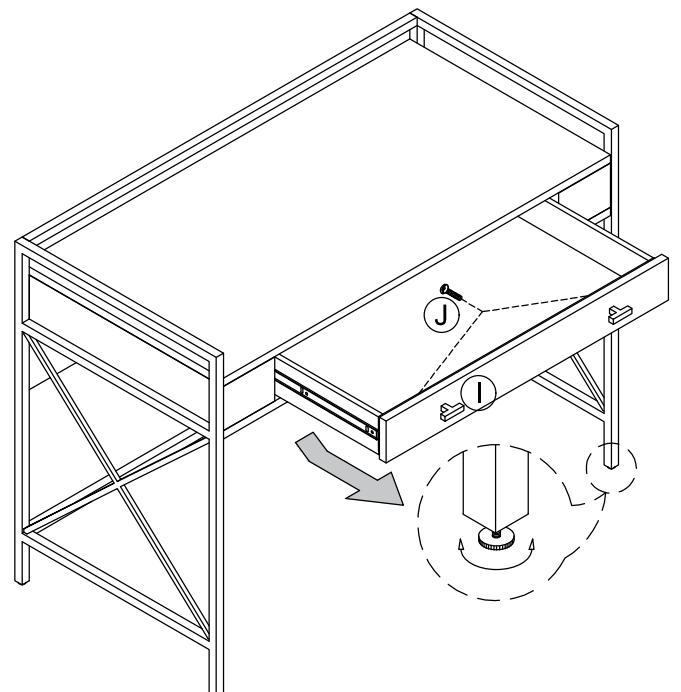
### Step 3

- 3.1)** Fasten the tabs of metal frames to the back panel with two screws.



### Step 4

- 4.1)** Pull out the drawer and fasten drawer pulls with machine screws.
- 4.2)** Adjust the levelers at the bottom of legs if needed.



Wire management hole on back of desk: pull the disk out, run wires, and snap disk back in place.

