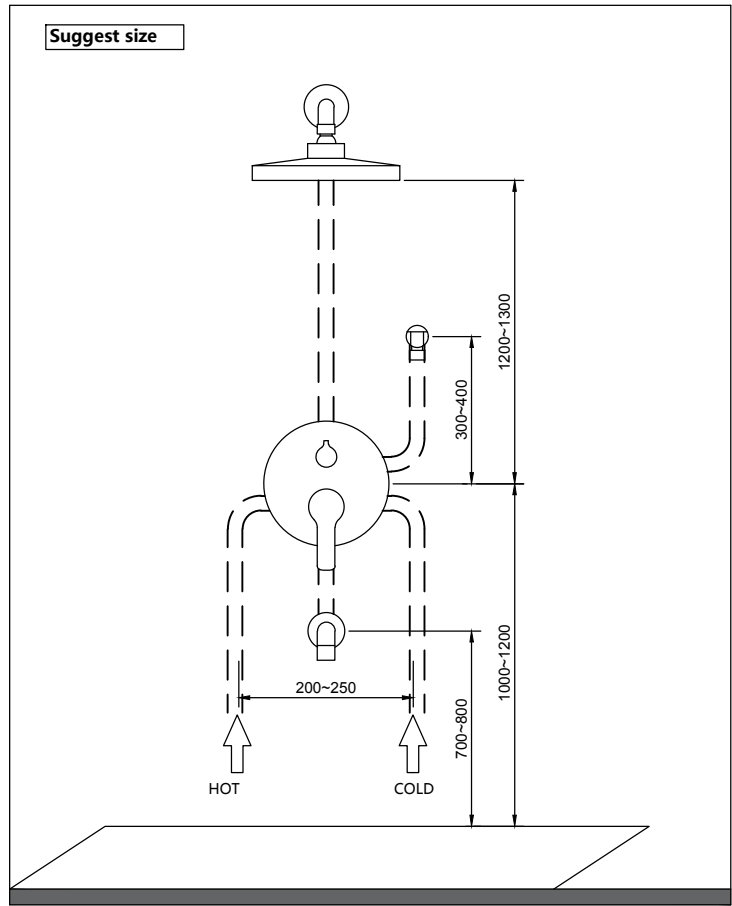
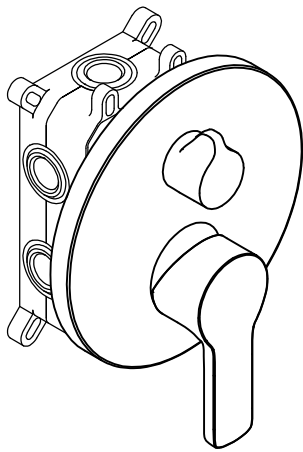


# Dark wall embedded system

## Installation instructions

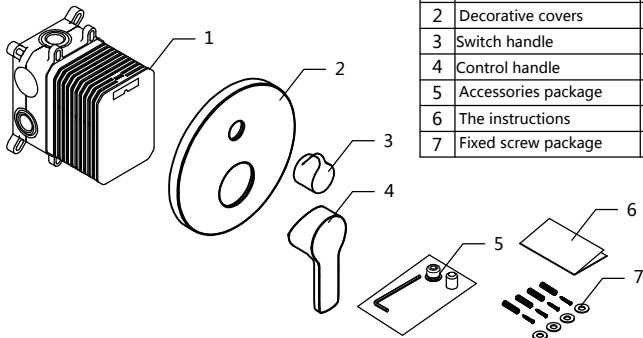


### The crates

### Setup instructions

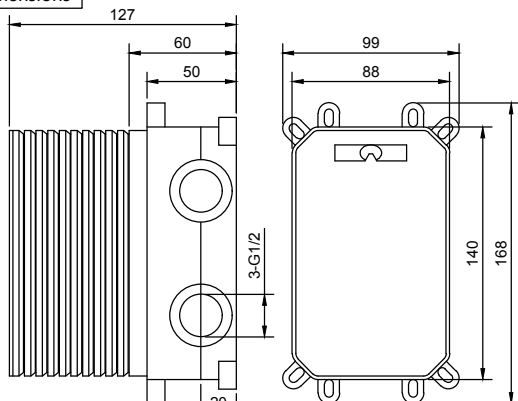
Check whether the parts is complete

#### Accessories list



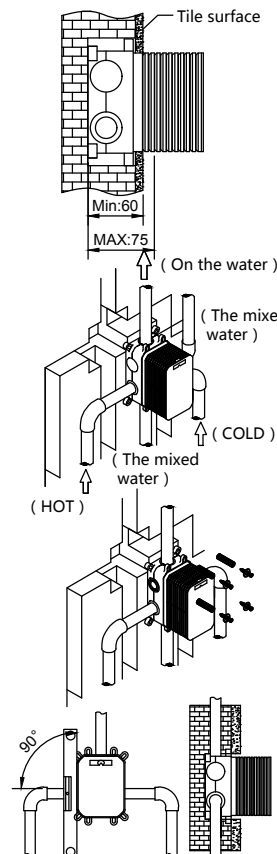
NO	Name	QTY
1	The double function body	1
2	Decorative covers	1
3	Switch handle	1
4	Control handle	1
5	Accessories package	1
6	The instructions	1
7	Fixed screw package	1

#### Basic dimensions



Note: this manual unit is "mm"

#### —Solid wall installation



1. Basic size, according to the embedded box to open the hole on solid wall, should consider to install the metope of the distance between 60-75, for example, after blank wall in the shop, the ceramic tile surface to increase the thickness of the 20 mm, so PiQiang in the depth of the hole should be chosen 40 to 55 mm;
2. Hole bottom should remain flat so that subsequent adjustment embedded box of vertical and horizontal convenient installation for the principle;
3. Pay attention to the direction of the up and down or so embedded box, on the left by hot water pipes, right after the cold water pipes, pick up and down the mixed water pipes;
5. After the pipe connection, according to the pipeline arrangement, and open the corresponding channel slot tube in the blank wall;
6. Embedded box fixed before, to embed box and trial test and pipe water clean connection pipe, and test before mixing water channels should be open;
7. Test before open the switch valve core, open the water to test around inlet pipe is connected closely with no leakage and the water pipe test after closing open state, whether to test on the mixed water pipe connection without leakage; At the same time clean tube foreign bodies in case of influencing water control valve function;
8. Will be embedded in a box into the solid wall with a self tapping screw is fixed on the wall;
9. With parallel ruler for correction of embedded box of horizontal and vertical direction to embed box into a level with the ground, and metope as 90°; In the absence of good correction will influence the control panel installation effect;