

Features

- 22" (559mm) x 19" (483mm).
- Constructed of KOHLER® Cast Iron.
- Wall-mount installation.
- With factory installed K-8040-2A Triton faucet with pop-up drain and aerator.
- With overflow.
- ADA compliant when installed with lever-handle faucet.
- Shelf-back.

Components

Additional included component/s: Hanger (1), and Overflow ferrule (1).



ADA

Codes/Standards

ASME A112.19.2/CSA B45.1

NSF 61

NSF 372

ADA

ICC/ANSI A117.1

All applicable US Federal and State material regulations


KOHLER® Lifetime Limited Warranty for Cast Iron Components

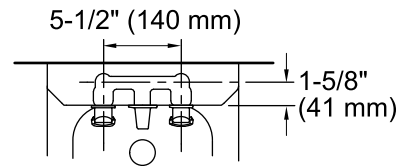
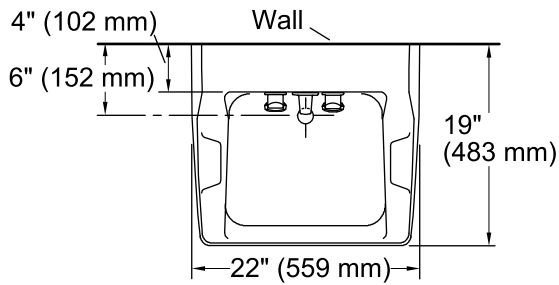
See website for detailed warranty information.

Available Color/Finishes

Color tiles intended for reference only.

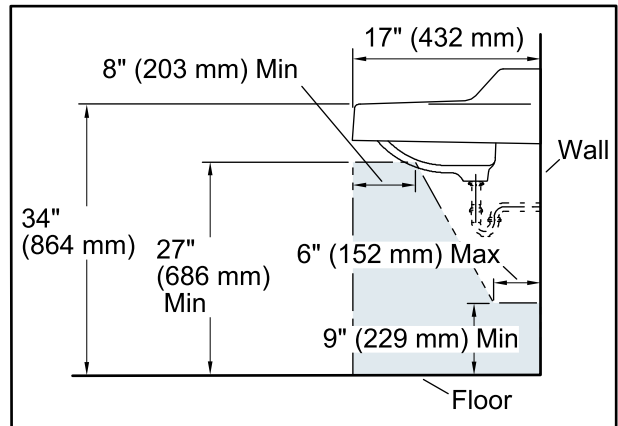
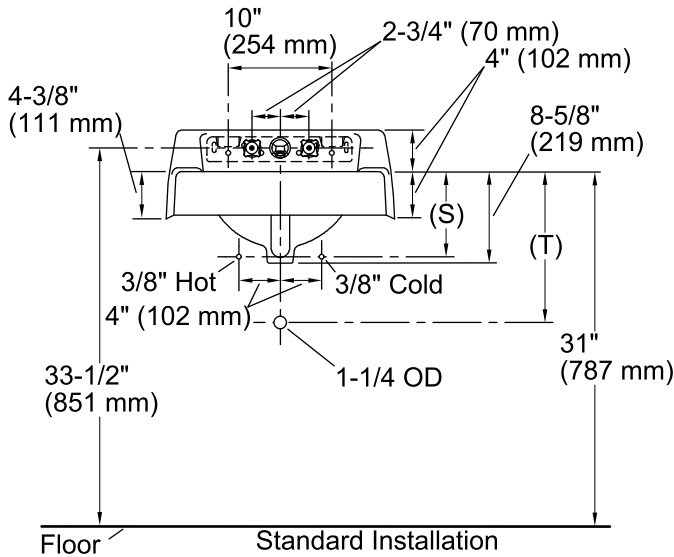
Color	Code	Description
-------	------	-------------

	0	White
--	---	-------



Faucet Detail

(T) Pop-up drain 14-1/4" (362 mm),
drain 13-3/8" (340 mm)
(S) 8" (203 mm) (Based on 12" (305 mm)
riser which may require cutting).



Recommended ADA Installation

Technical Information

All product dimensions are nominal.

Installation: Wall-mount

Drain hole: 1-11/16" (43 mm)

Notes

Install this product according to the installation guide.

ADA compliant when installed to the specific requirements of these regulations.