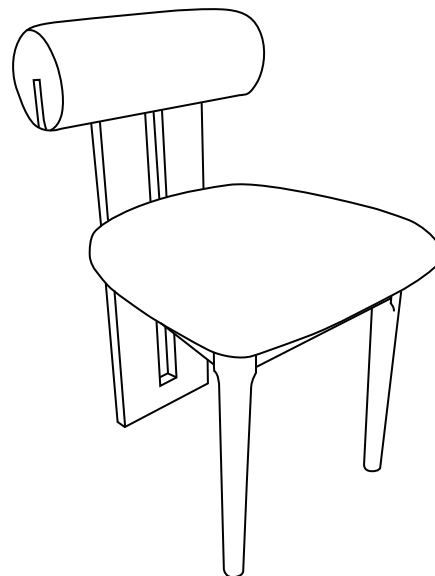


DINING CHAIR

L01

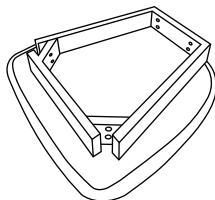


. Please keep instructions for future reference.

. Check the quantity and irregularity of parts and hardware before you start.

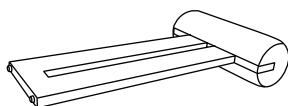
PARTS

#1 1pc



Seat

#2 1pc



Backrest w/leg

#3 2pcs



Front leg

HARDWARE

#A 4pcs



M8*35mm

#B 4pcs



M8*55mm

#C 8pcs



φ14mm

#D 8pcs



φ13mm

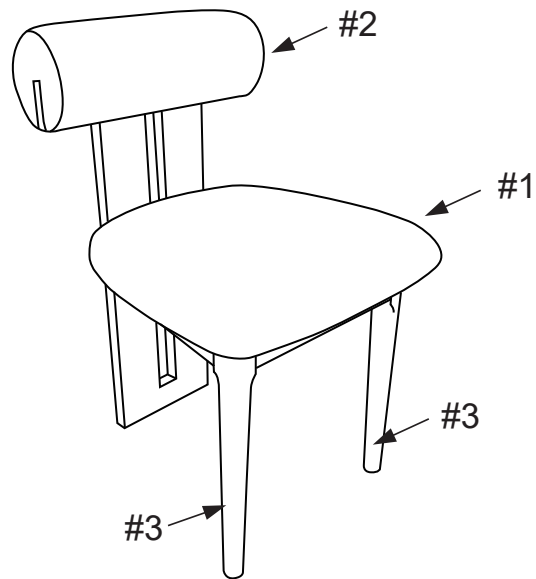
#E 1pc



M8

ASSEMBLY INSTRUCTIONS

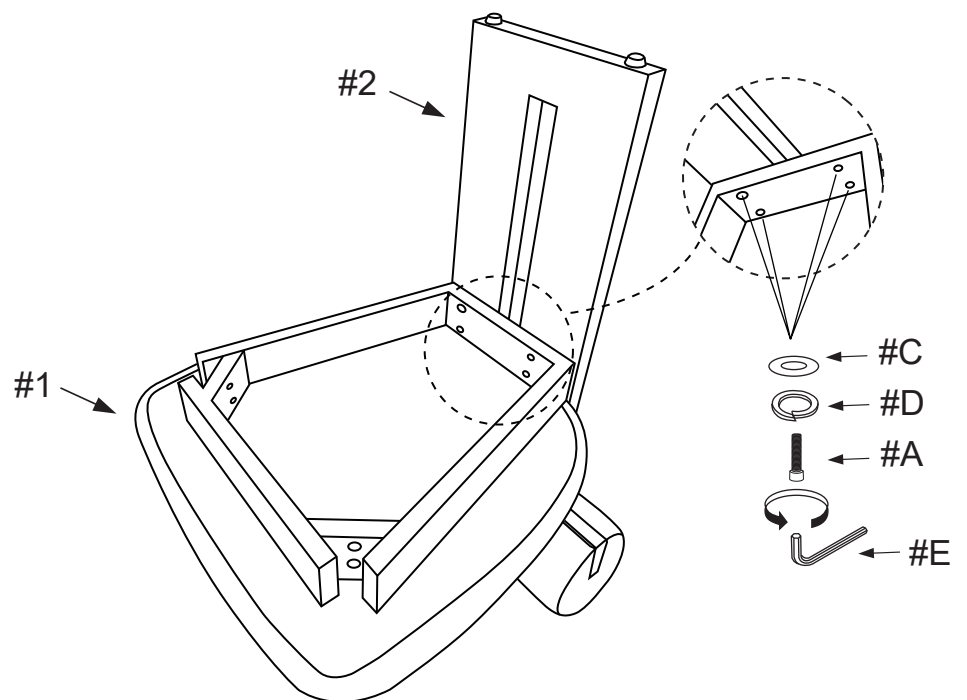
1



2

- Part #1 x1pc
- Part #2 x1pc
- Hardware #A x4pcs
- Hardware #C x4pcs
- Hardware #D x4pcs
- Hardware #E x1pc

Align seat (#1) to the chair back (#2), then secure by using bolts (#A) with washers (#C,D).



ASSEMBLY INSTRUCTIONS

3

Part #3 x2pcs

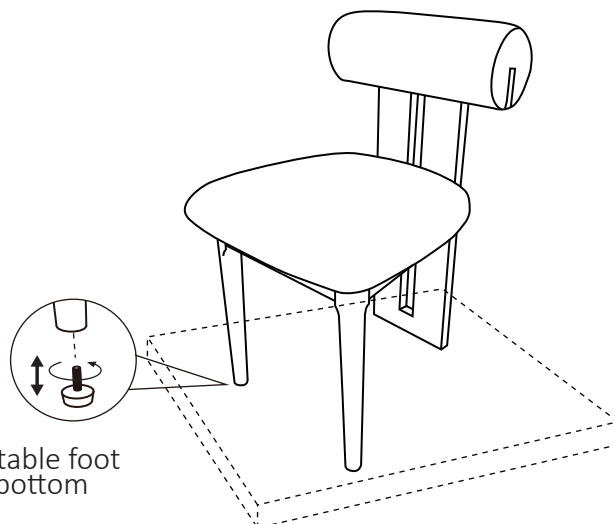
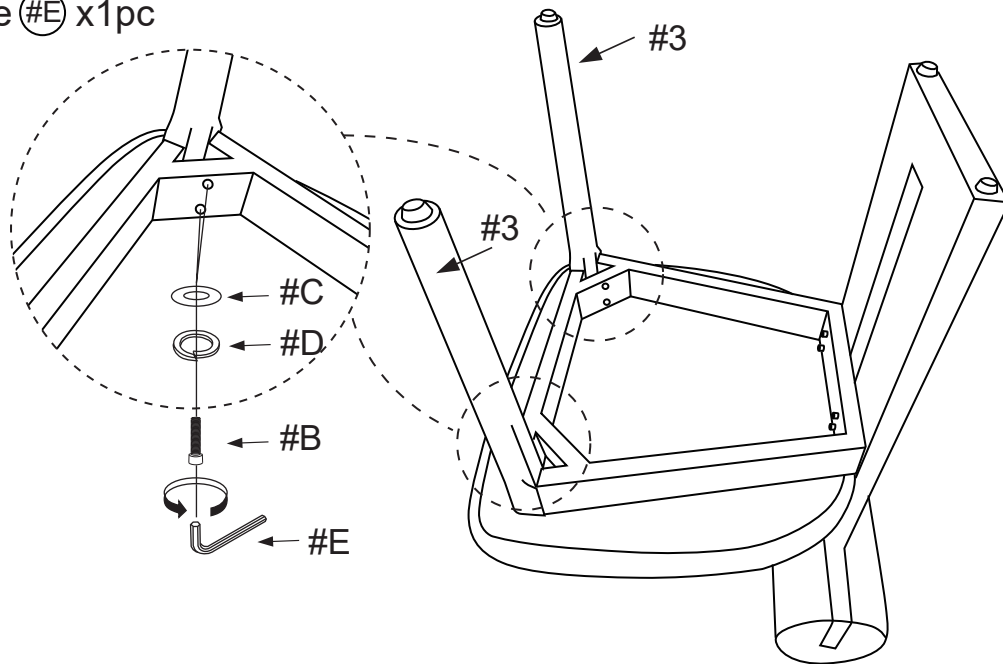
Hardware #B x4pcs

Hardware #C x4pcs

Hardware #D x4pcs

Hardware #E x1pc

Secure corner holes of the seat (#1) to the front leg (#3) by using bolts (#B) with washers (#C,D).



ASSEMBLY COMPLETED



Please ensure the furniture rests on an even and flat surface. If the product wobbles or feels loose, double-check all bolts and/or screws are properly tightened and secured.



Keep this handy!

Please retain this instruction manual and any order-related information for future reference.



Lift, don't drag!

To avoid damage to product please always LIFT the product when transporting or adjusting the placement.