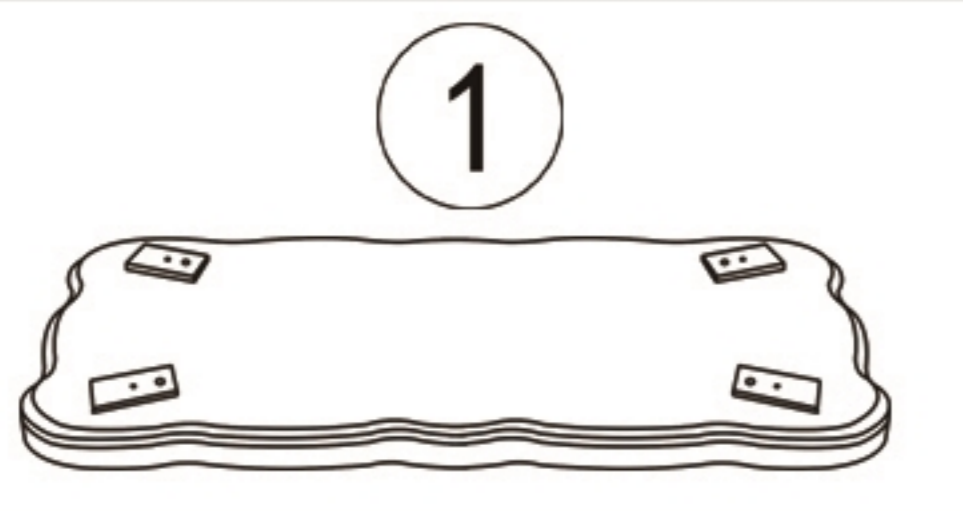
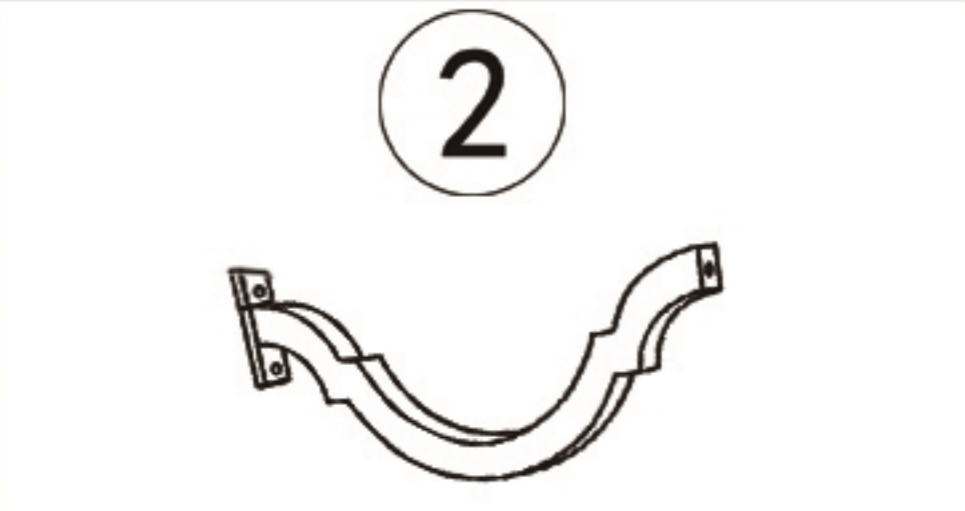
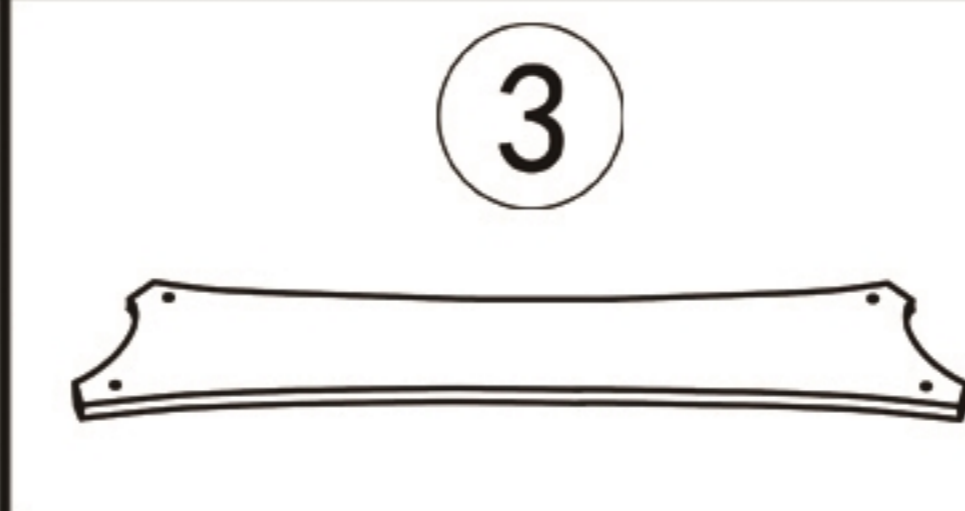
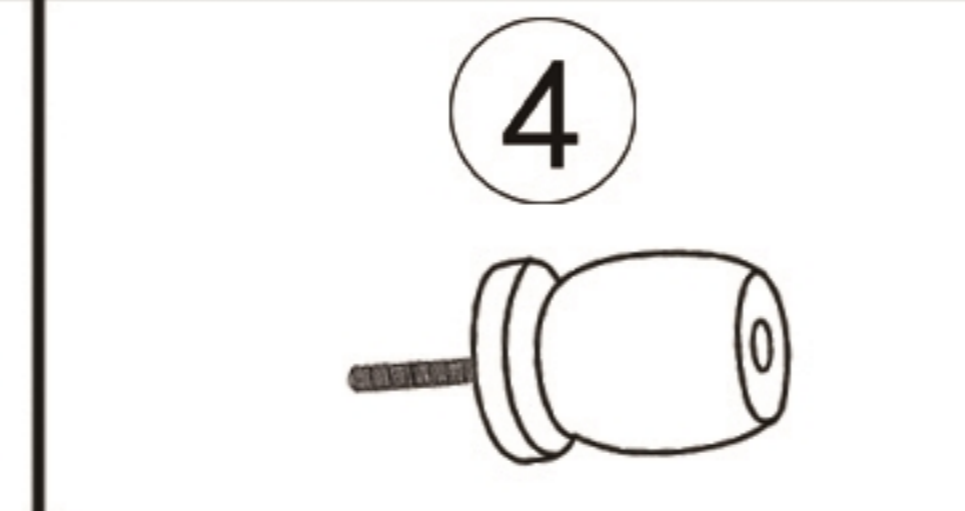


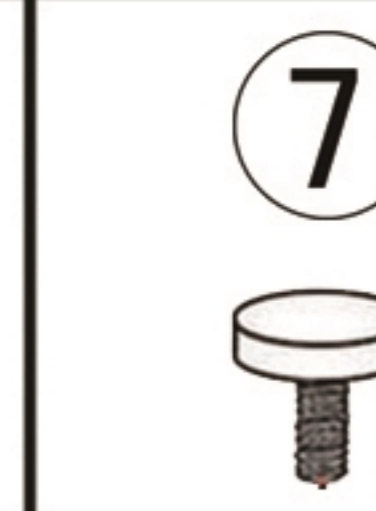
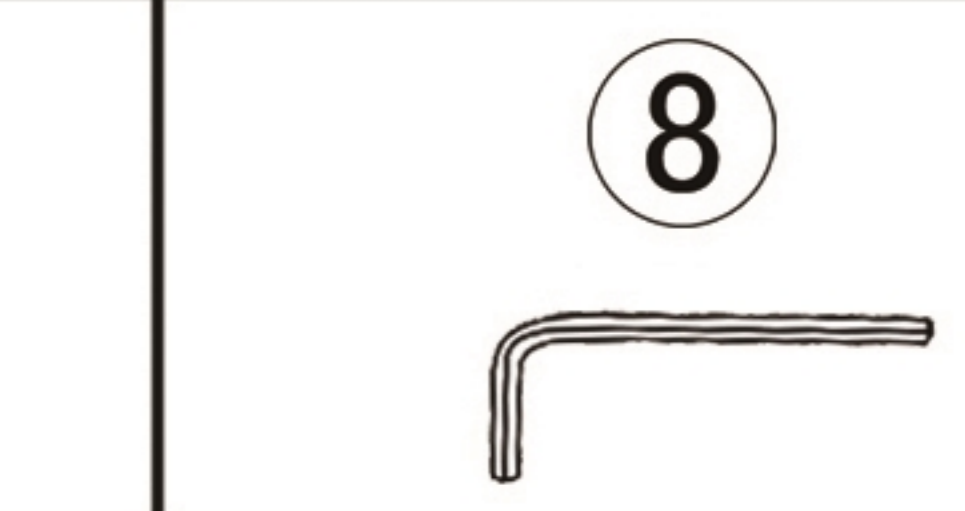
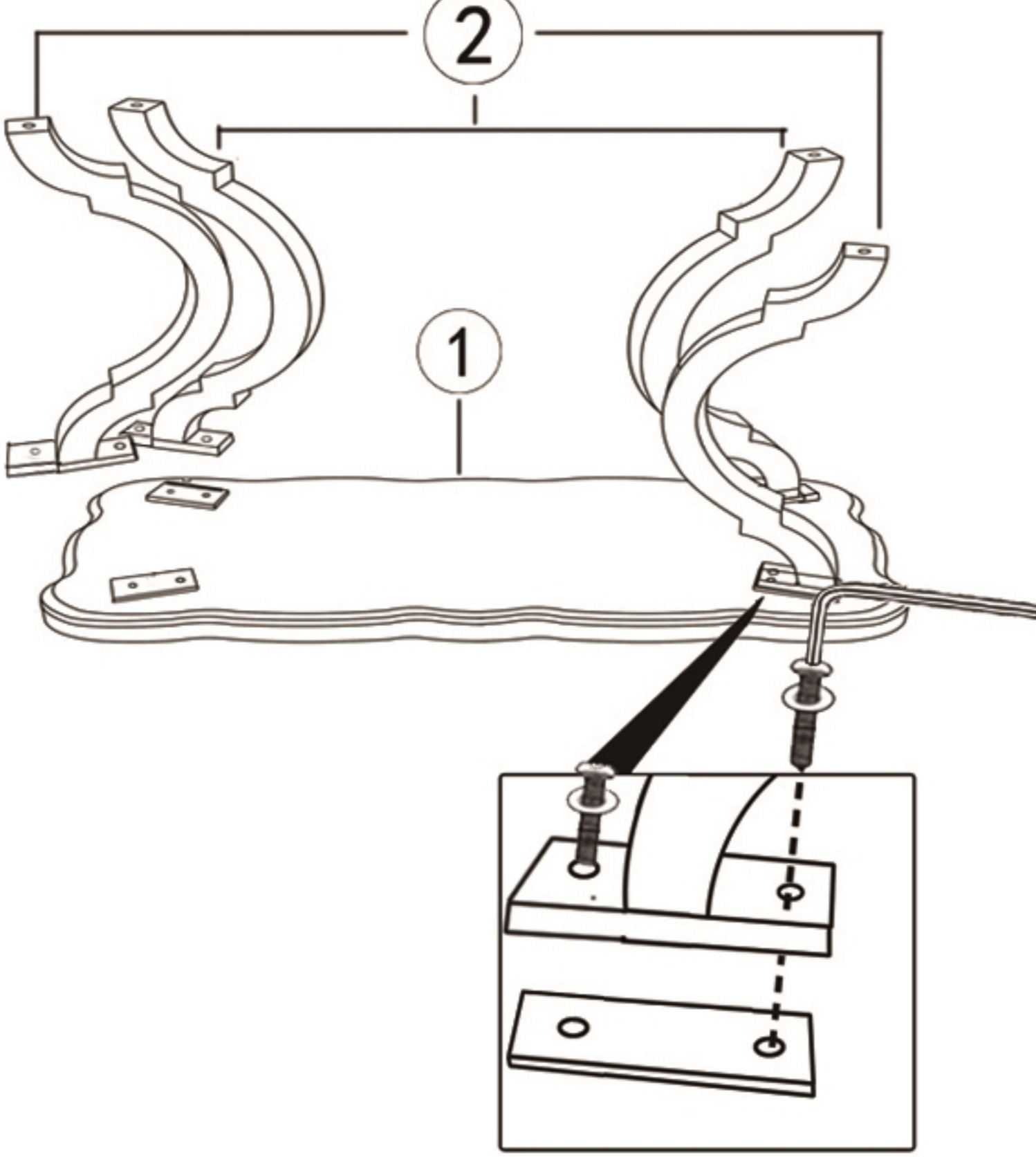


Assembly Instruction

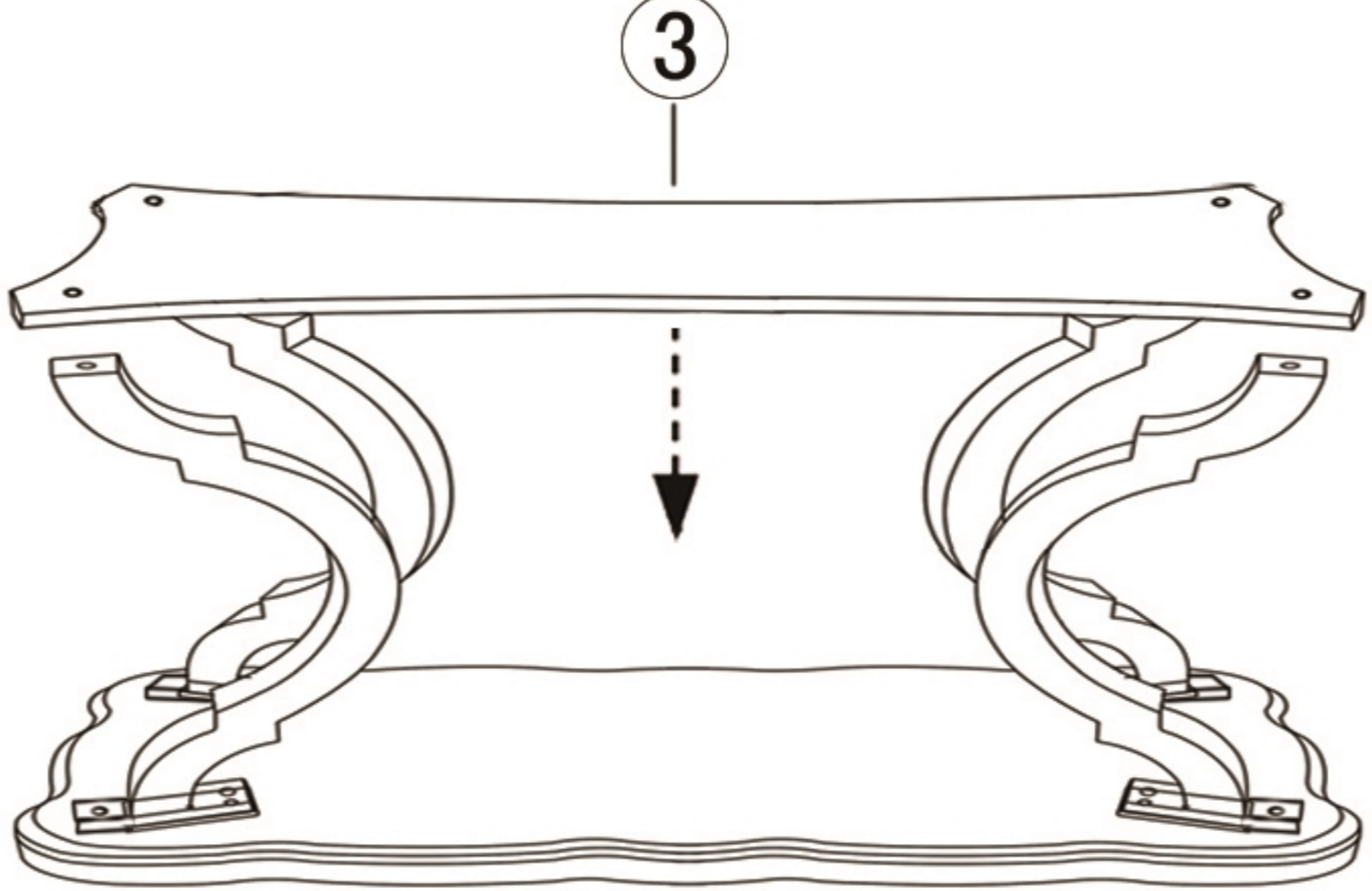
PARTS					PARTS				
QTY	1	4	1	4	QTY	8	8	4	1

STEP 1

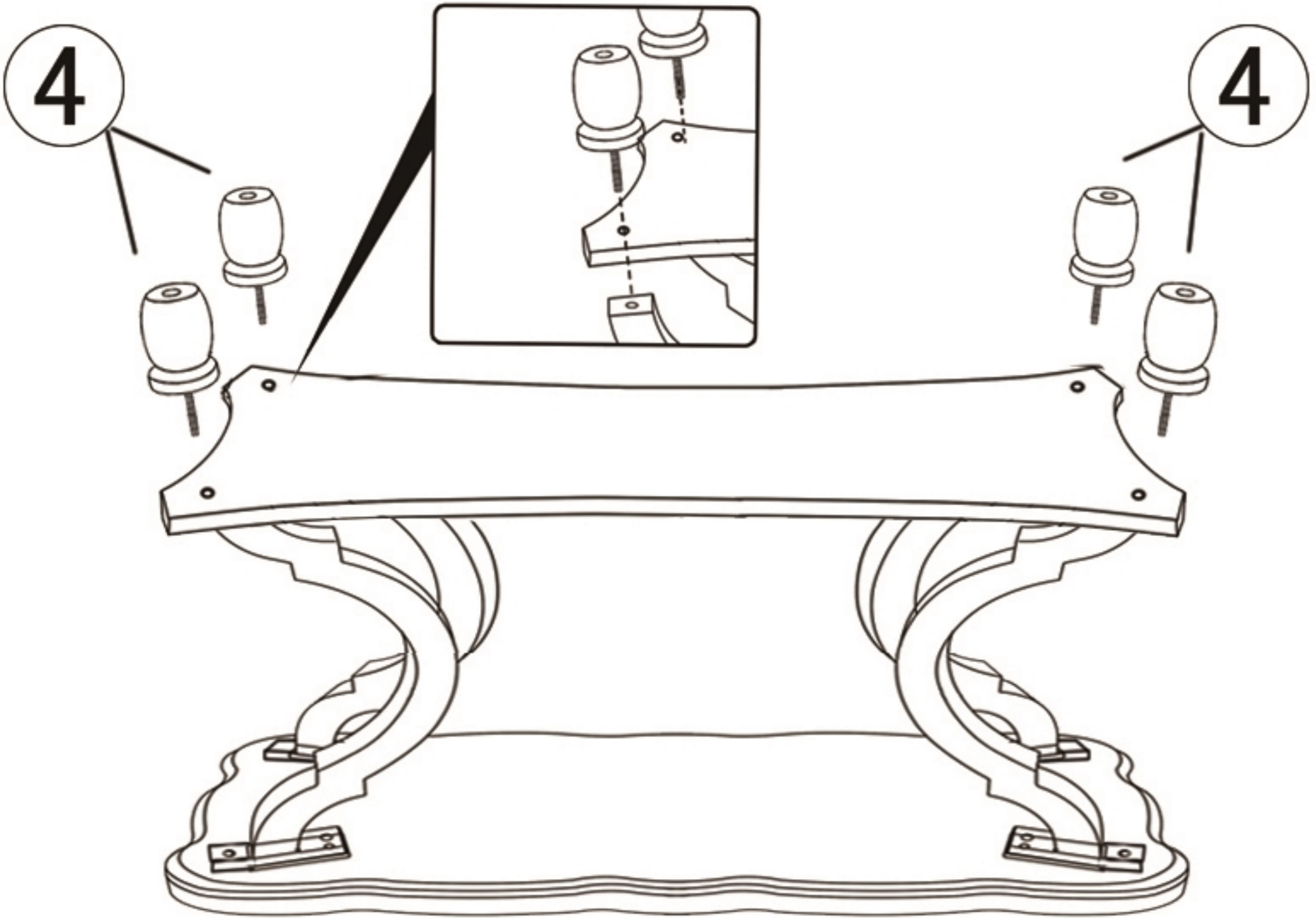


Caution: Do not screw tight on step 1

STEP 2

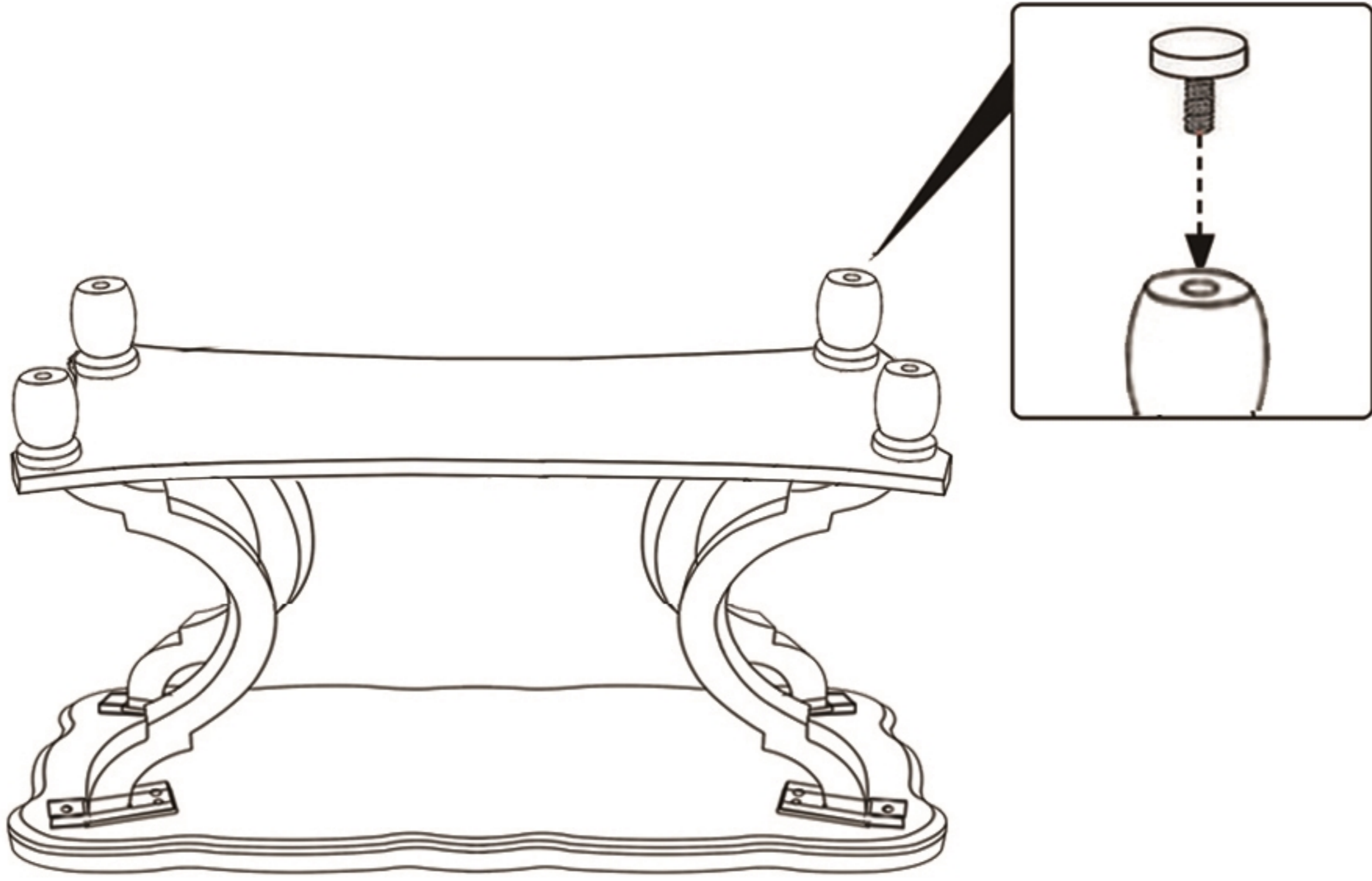


STEP 3



Step 3: After screw tight the bottom legs, please screw bolts tight on table top

STEP 4



Step 4: Test feet on floor, please adjust the feet levelers if uneven



READY FOR USE