

SQUARE TABLE ASSEMBLY INSTRUCTIONS

IMPORTANT

THE PRODUCT YOU HAVE PURCHASED WILL GIVE YOU MANY YEARS OF SERVICE IF YOU FOLLOW THE GUIDELINES FOR ITS SAFE ASSEMBLY AND PERIODIC MAINTENANCE AND CLEANING.

ASSEMBLE ON A SOFT CLEAN SURFACE.

DO NOT USE ANY TOOLS OTHER THAN THOSE PROVIDED.

DO NOT FOR ANY REASON USE A POWER TOOL TO ASSEMBLE THIS PRODUCT.

ITS USE WILL INVALIDATE ANY CLAIM YOU MAY HAVE AND COULD MAKE THIS PRODUCT UNSAFE.

DEPENDING ON THE AMOUNT OF USE THIS PRODUCT RECEIVES IT MAY BE NECESSARY TO TIGHTEN UP THE FIXINGS FROM TIME TO TIME. THIS IS COMPLETELY NORMAL FOR ANY FLAT PACK FURNITURE.

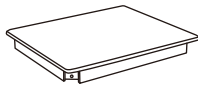
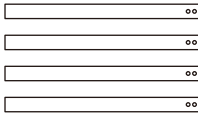
DO NOT OVERTIGHTEN FIXINGS.

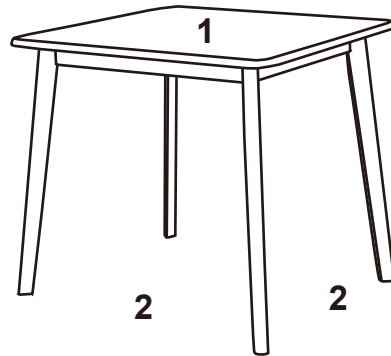
FOR CLEANING, YOU MAY USE A DAMP CLOTH (NOT WET). DO NOT USE POLISH, DETERGENT OR CHEMICAL CLEANERS.

THE SURFACE OF THIS ITEM IS NOT HEAT RESISTANT.





ALWAYS USE A PLACE MAT UNDER HOT OR COLD ITEMS TO PREVENT MARKING.

PARTS LIST (FOR ONE TABLE)

NO.	DESCRIPTION	QTY
1	TOP PLATE 	1PC
2	LEGS 	4PCS



HARDWARE LIST (FOR ONE TABLE)

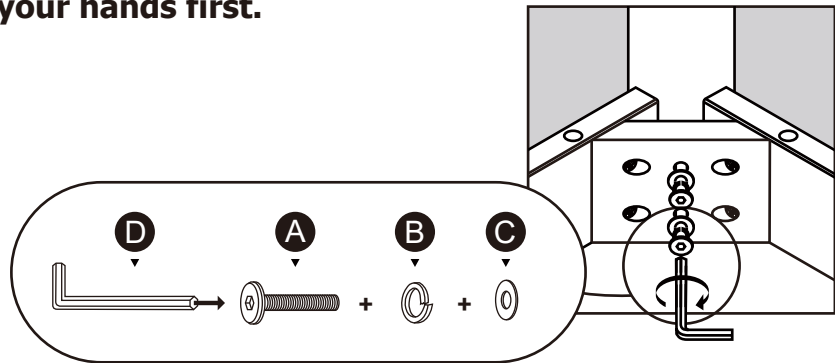
NO.	DESCRIPTION	QTY
A	BOLTS 	8PCS
B	SPRING WASHER 	8PCS
C	WASHER 	8PCS
D	ALLEN KEY 	1PC

STEP 1

Install to each bolt in the order of spring washer and washer.

Assemble each legs into the corners of the table.

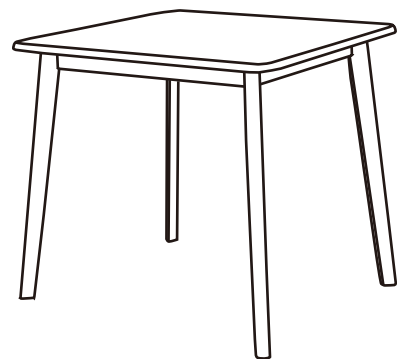
It's easier to tighten with your hands first.



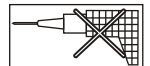
STEP 2

After carefully flipping the product with two or more people,

Tighten again with the Allen key (D).



THE USE OF POWER TOOLS TO ASSEMBLE THIS PRODUCT WILL INVALIDATE ANY CLAIM AND MAY DAMAGE THIS PRODUCT MAKING IT UNSAFE.



FAQ

Q: I am missing parts and cannot finish assembly.

A: Contact us using the QR code, and we'll ship missing parts to you right away.

Q: The table wobbles after full assembly. What can I do?

A: Try loosening the parts a little, and re-tightening them to adjust balance.

In most cases, the flooring is uneven. Wooden products like this table will balance itself out after a week or two of usage.

Please contact us if the problem persists.

