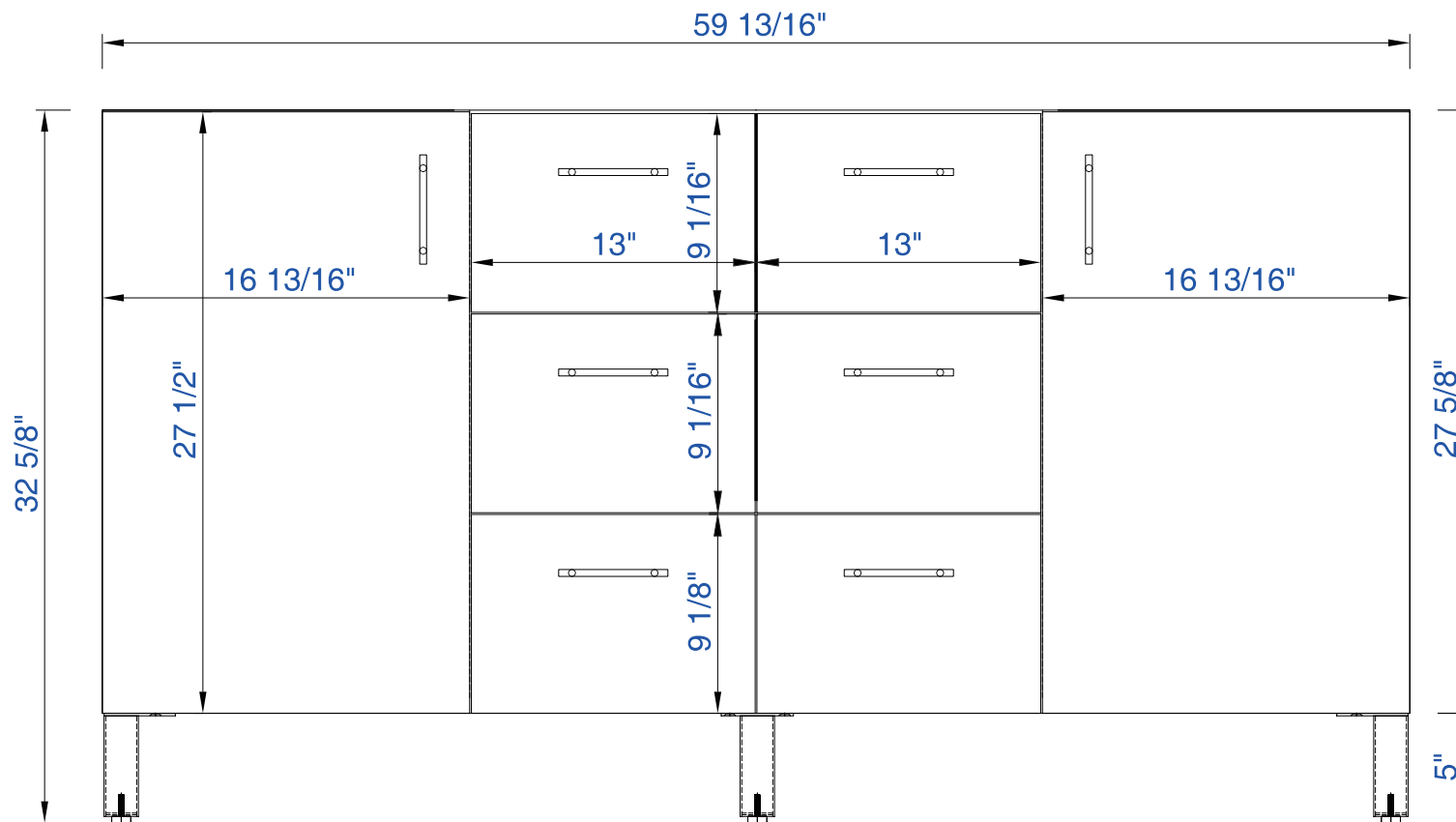
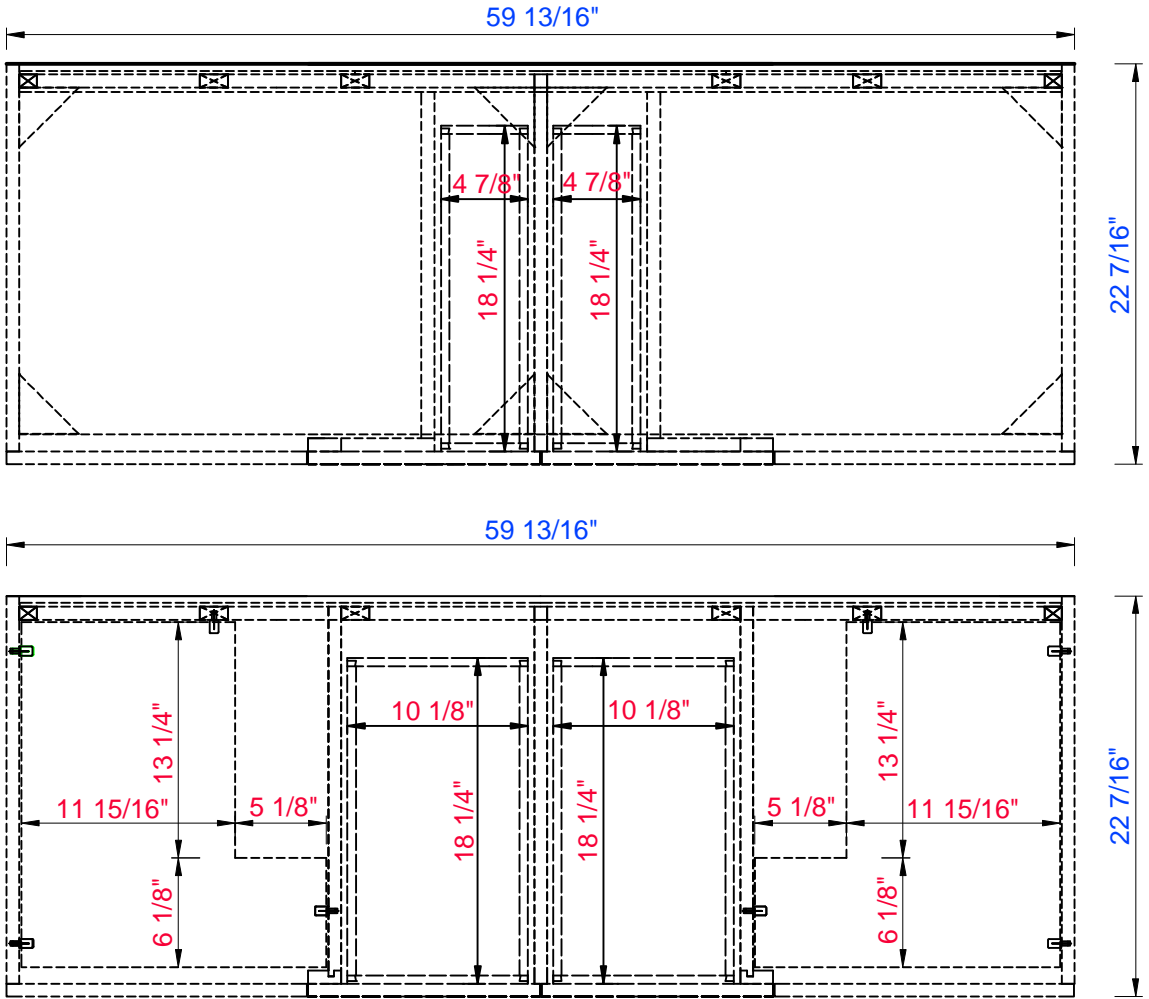


# 60" Cabinet

Diagrams with Dimensions  
page 01 of 03

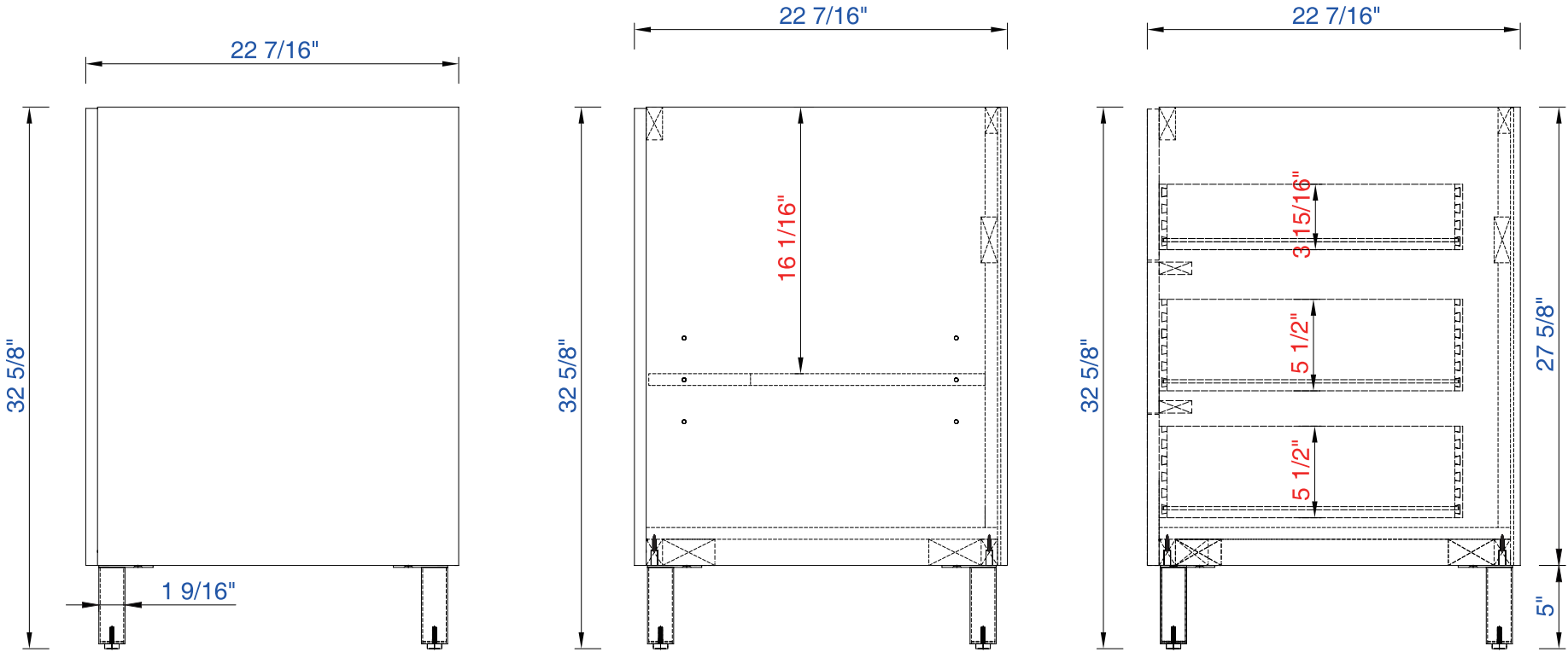


NOTE ONE: Countertops are not shown in these diagrams. (Cabinet Only)  
NOTE TWO: This vanity does not have a Backsplash.



NOTE ONE: Countertops are not shown in these diagrams. (Cabinet Only)

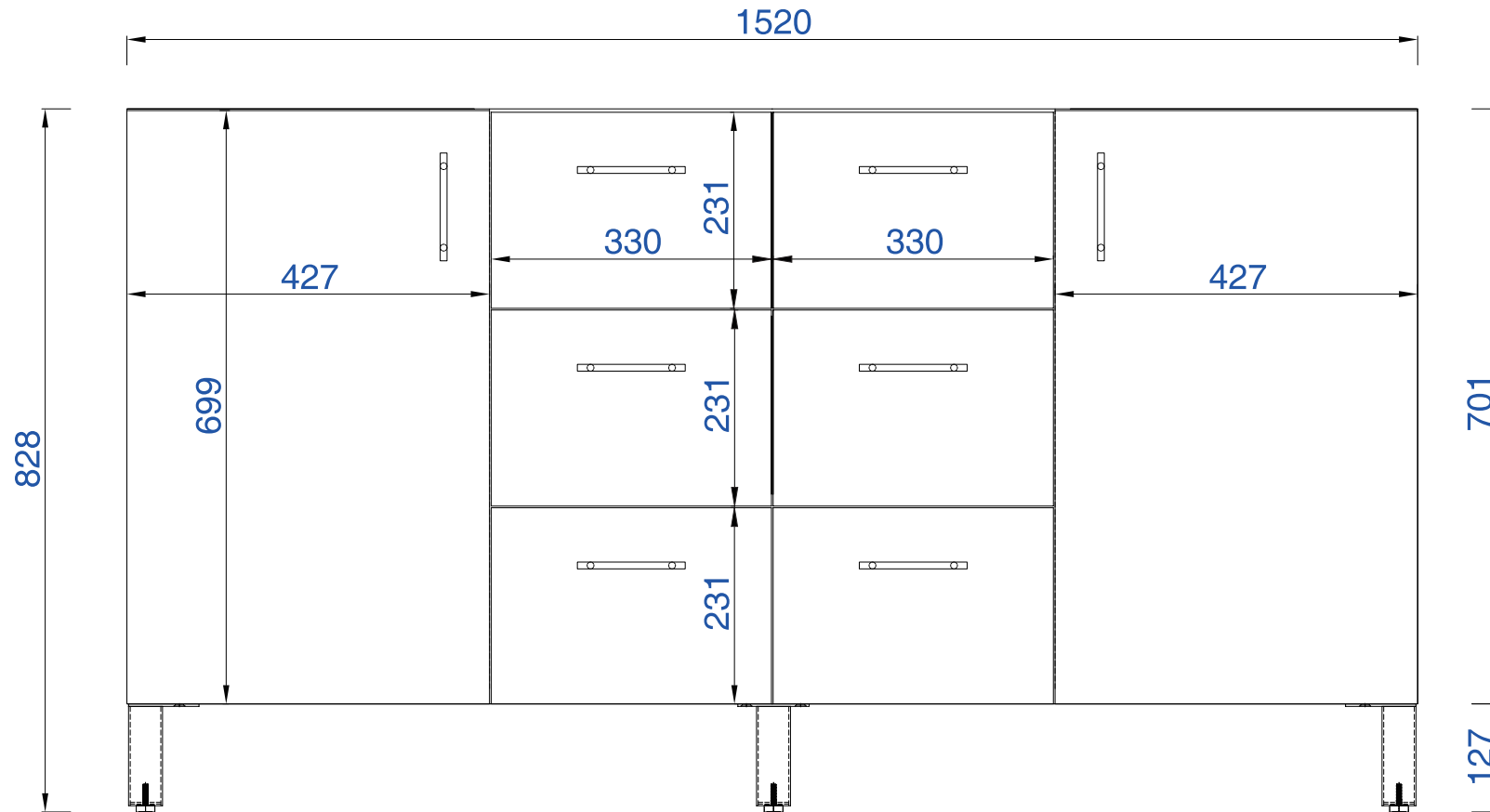
NOTE TWO: Internal Shelves (Shown) are designed to align with sinks in James Martin's Optional Countertops. Customers' own countertops and sinks may align differently, and modification may be required.



NOTE ONE: Countertops are not shown in these diagrams. (Cabinet Only)  
NOTE TWO: This vanity does not have a Backsplash.

# 1524mm Cabinet

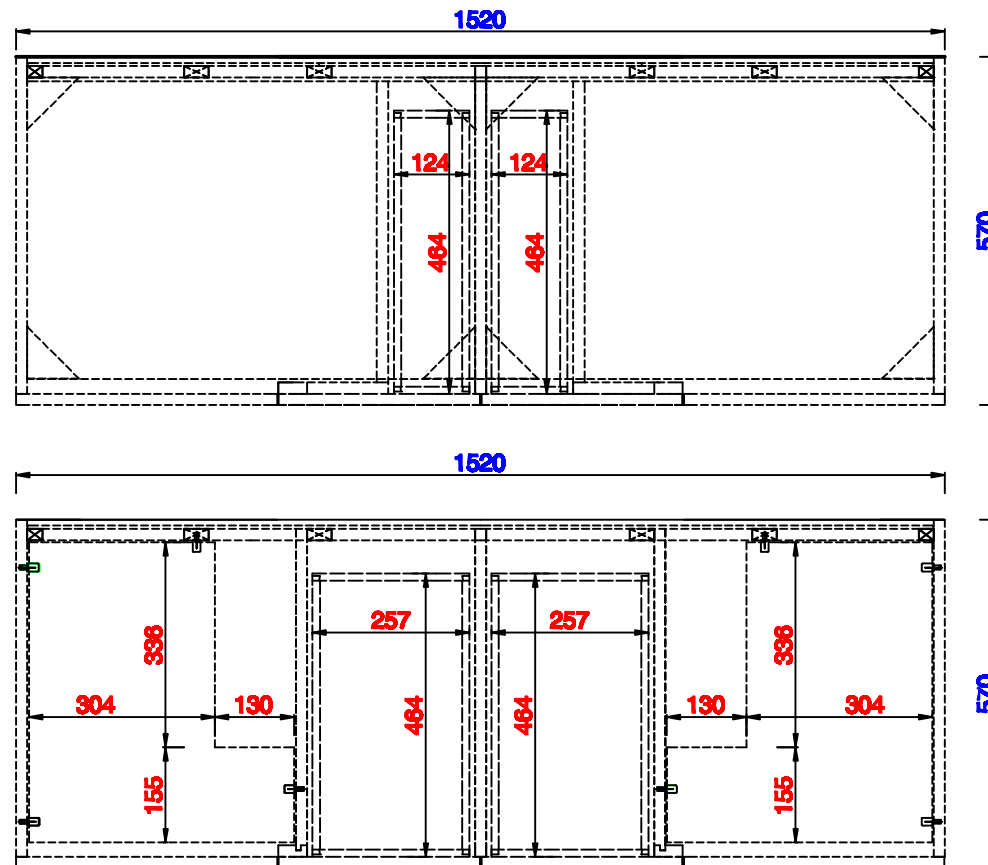
Diagrams with Dimensions  
page 01 of 03



NOTE ONE: Countertops are not shown in these diagrams. (Cabinet Only)  
NOTE TWO: This vanity does not have a Backsplash.

# 1524mm Cabinet

Diagrams with Dimensions  
page 02 of 03

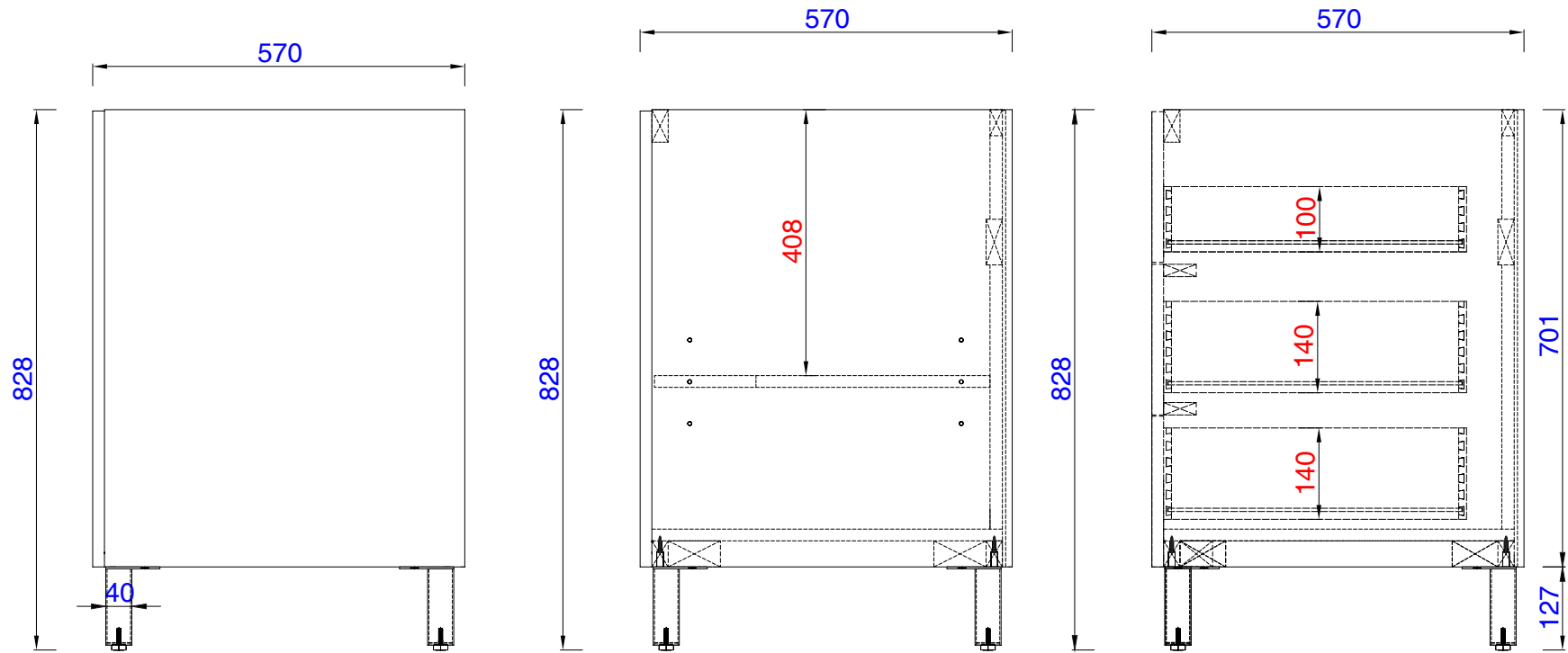


NOTE ONE: Countertops are not shown in these diagrams. (Cabinet Only)

NOTE TWO: Internal Shelves (Shown) are designed to align with sinks in James Martin's Optional Countertops.  
Customers' own countertops and sinks may align differently, and modification may be required.

# 1524mm Cabinet

Diagrams with Dimensions  
page 03 of 03



NOTE ONE: Countertops are not shown in these diagrams. (Cabinet Only)  
NOTE TWO: This vanity does not have a Backsplash.