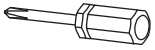


Coffee Table Installation

Tools You Will Need: Tools You May Need



philis head screwdrier
rewuired of assembly
(not include)



hammer
(not include)



electric drill
(not include)



Assembly video

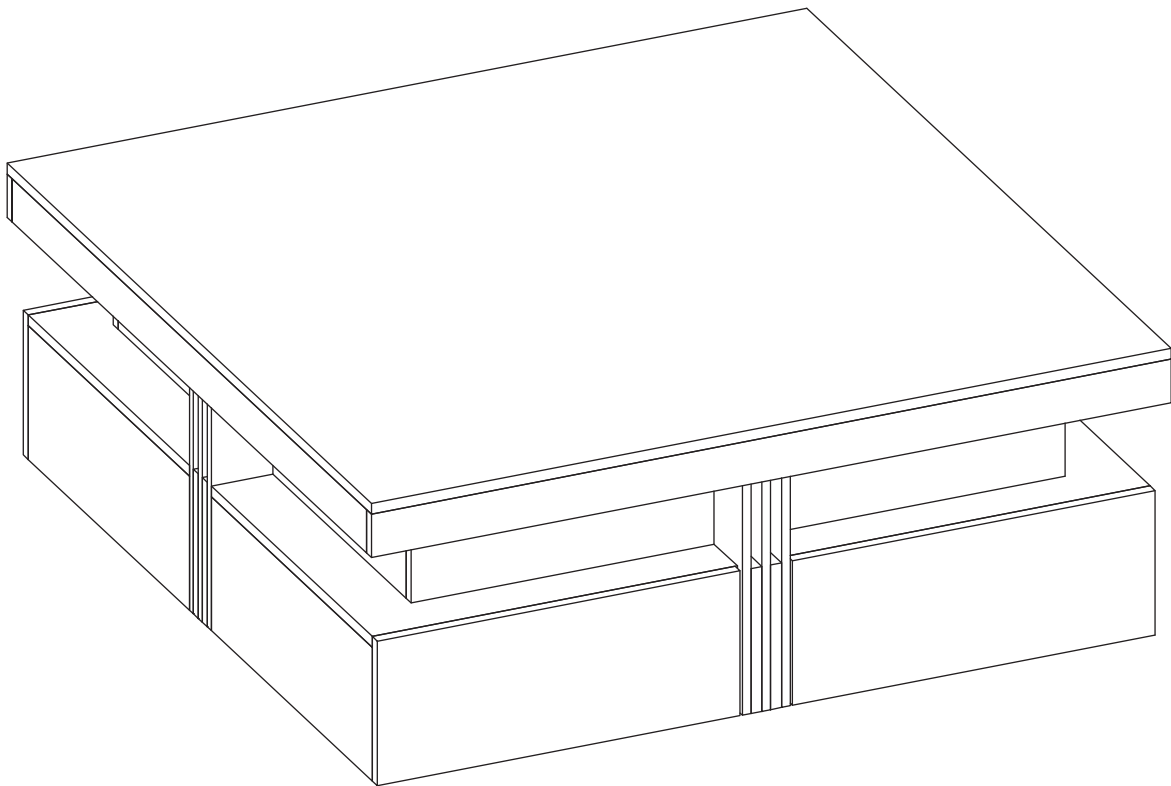
Before the Installation

1. Do not throw away packing materials until assembly is complete for small parts may come loose inside the carton during shipment. If parts are missing, please contact us.
2. Assemble this item on a soft surface, such as carpet to protect the finish.
3. Proper assembly of this item requires 2 people.
4. Periodically check to ensure that all connections are tight.
5. It is recommended that installation of the product be done by a qualified licensed furniture assembler.

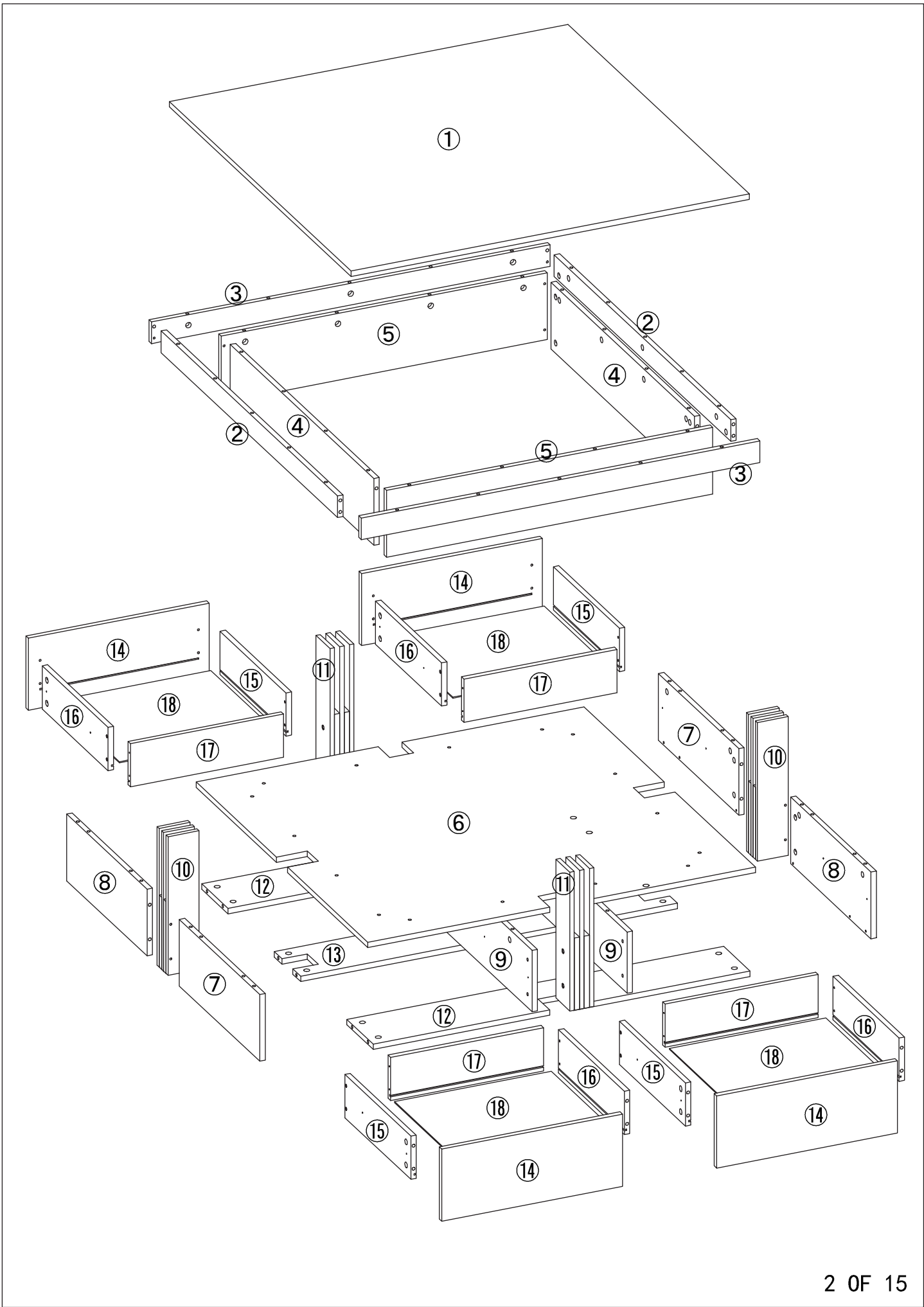
Care and Cleaning

1. To protect the finish, avoid use chemicals and household cleaners.
2. All hot serving dishes should be placed on a pad.
3. Any liquid spilled onto the top should be cleaned up immediately with a damp cloth.

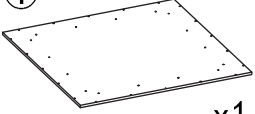

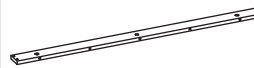
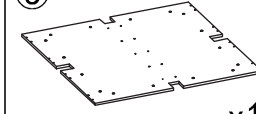
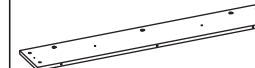
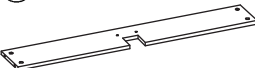
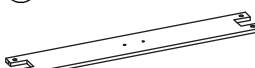
Parts List



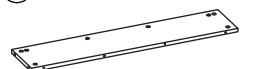
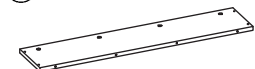
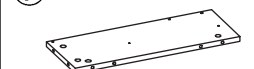




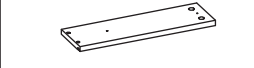
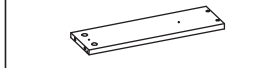

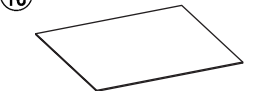
Note: Do not fully tighten all bolts until all parts are in place. Failure to follow these instructions may cause the bolt to misalign during assembly.



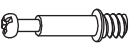













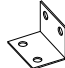
Parts List for WF306808

①  x1	②  x2	③  x2	⑥  x1	⑨  x2
⑫  x2	⑬  x1			

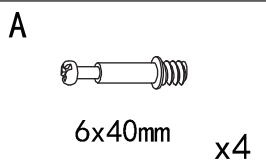
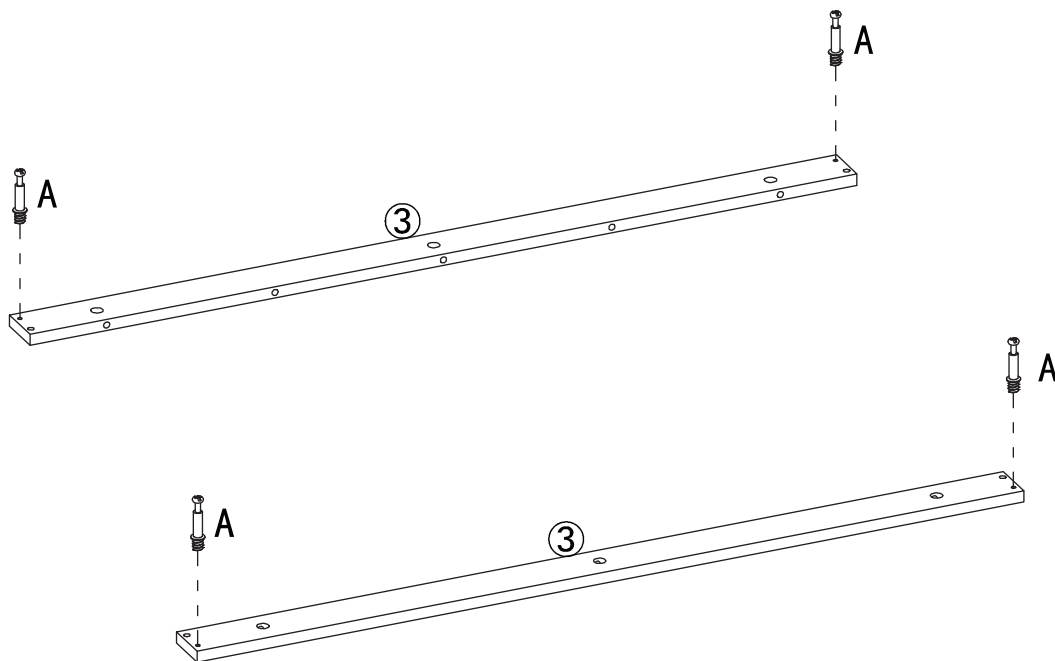
Parts List for WF306809

④  x2	⑤  x2	⑦  x2	⑧  x2	⑩  x2
⑪  x2	⑭  x4	⑮  x4	⑯  x4	⑰  x4
⑱  x4				

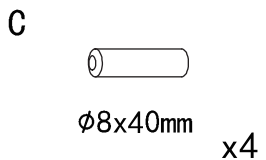
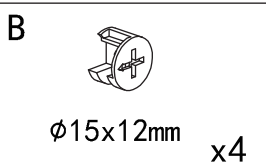
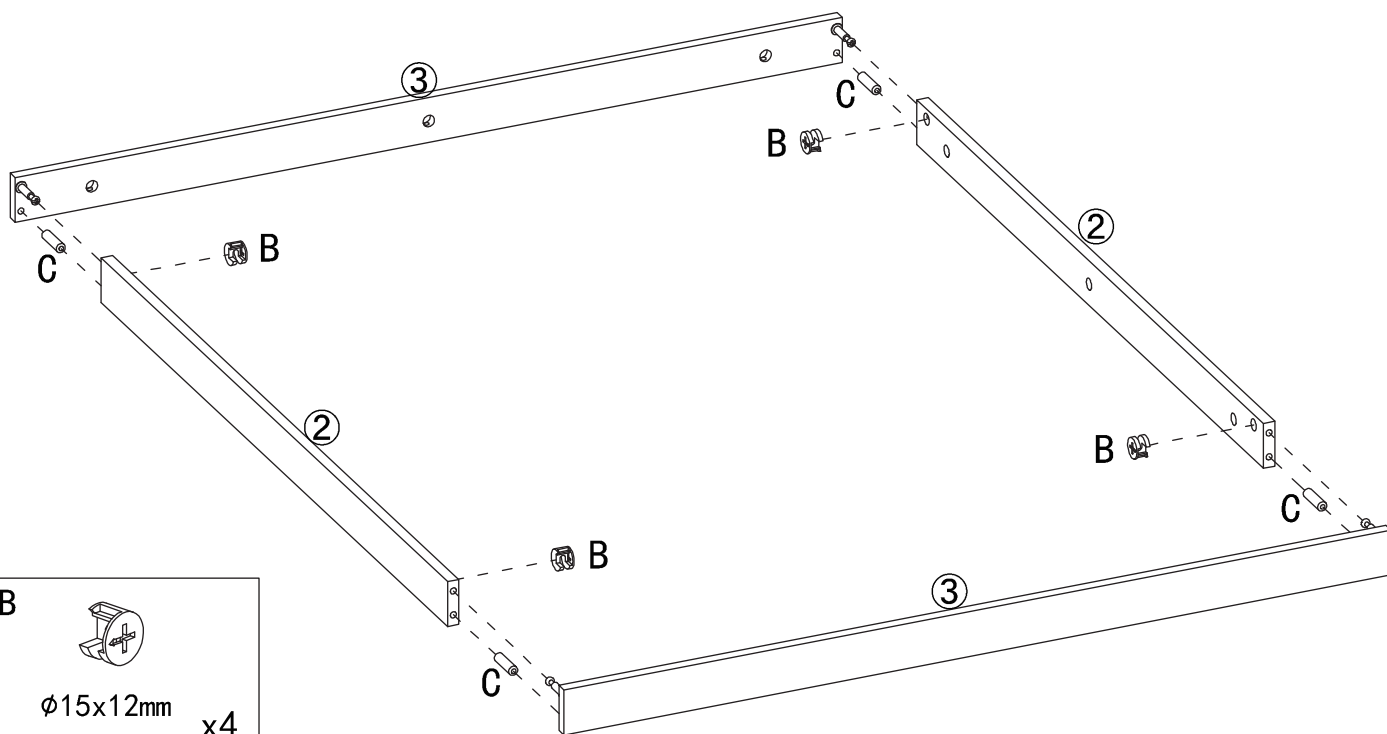
Hardware List for WF306809

A  6x40mm x90	B  φ15x12mm x50	C  φ8x40mm x24	D  5x40mm x22	E  M4x35mm x8
F  400mm x8	G  400mm x8	H  M4x12mm x 64	I  M4x35mm x16	J  φ30x20mm x6
K  M4x20mm x6	L  φ15x9.5mm x40	M  M4 x1	N  x90	O  x4

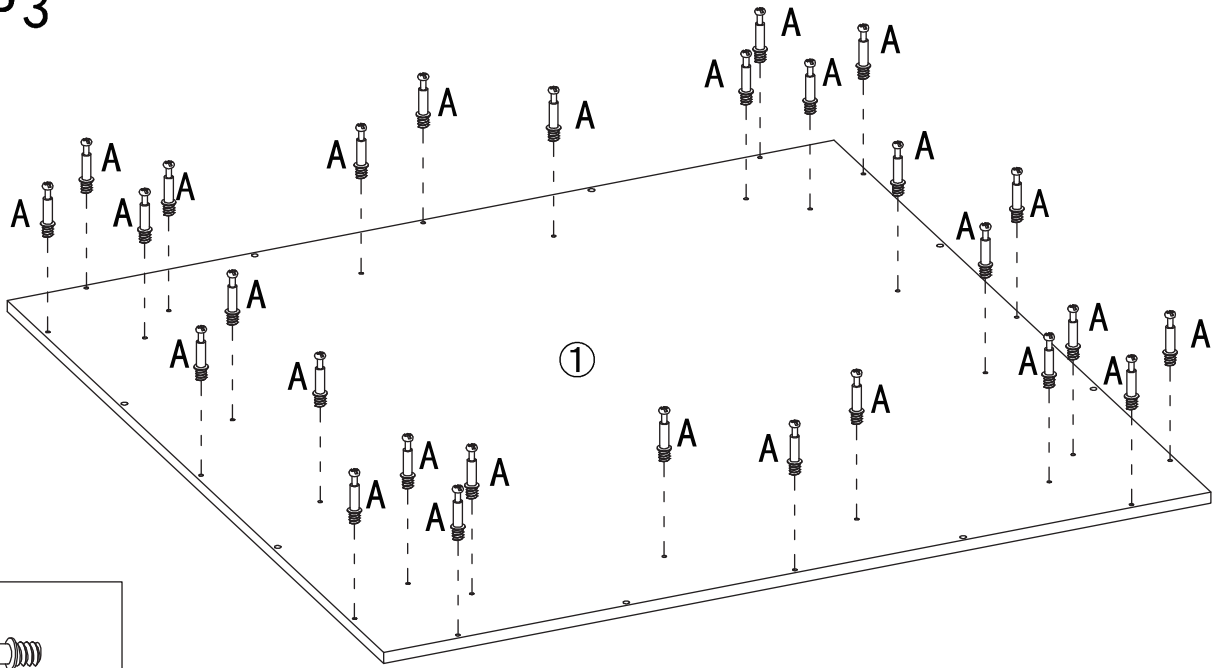
STEP 1



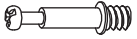
STEP 2



STEP3

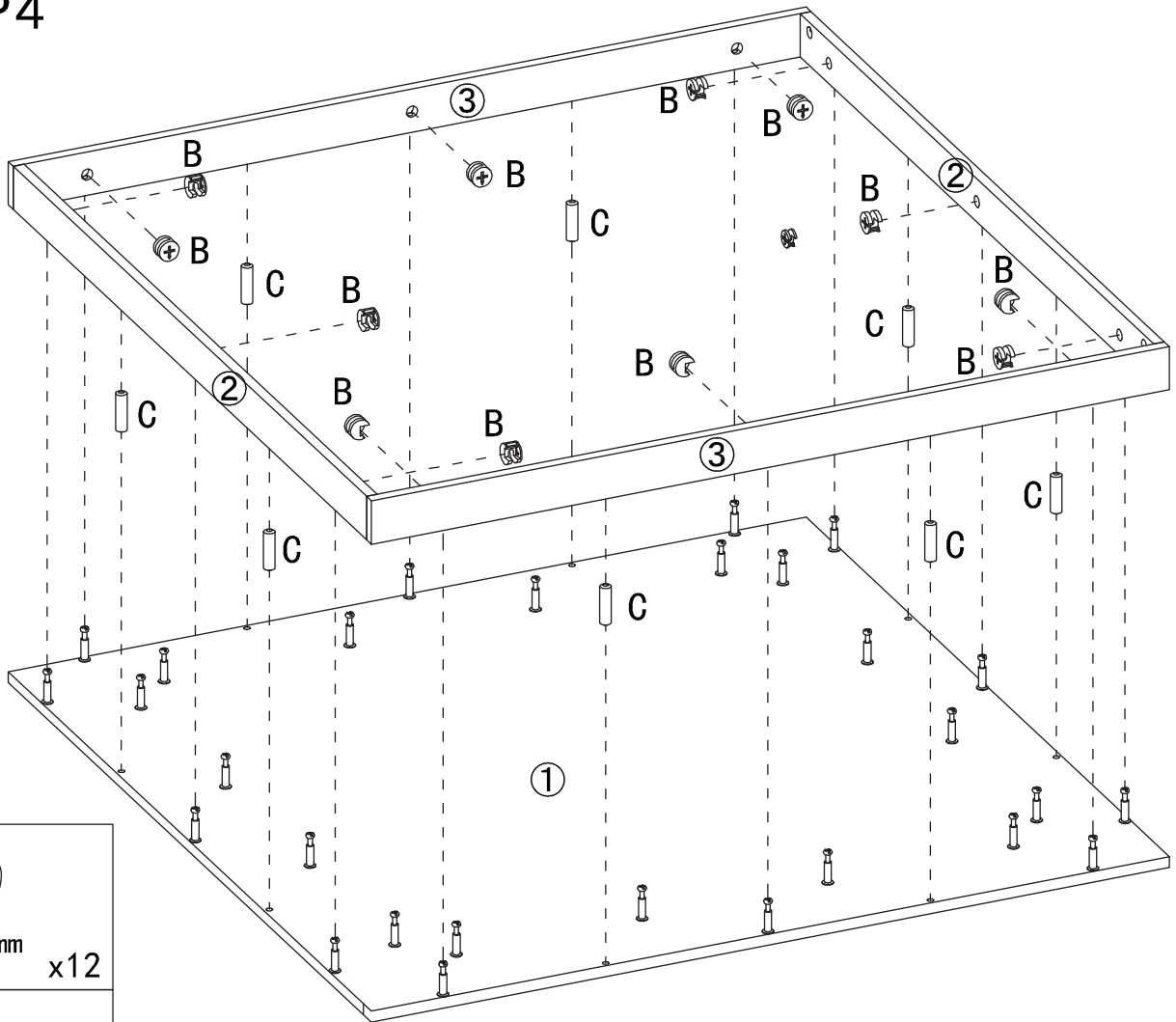


A



6x40mm x28

STEP4



B



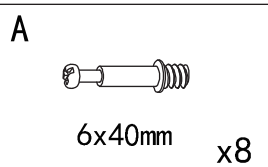
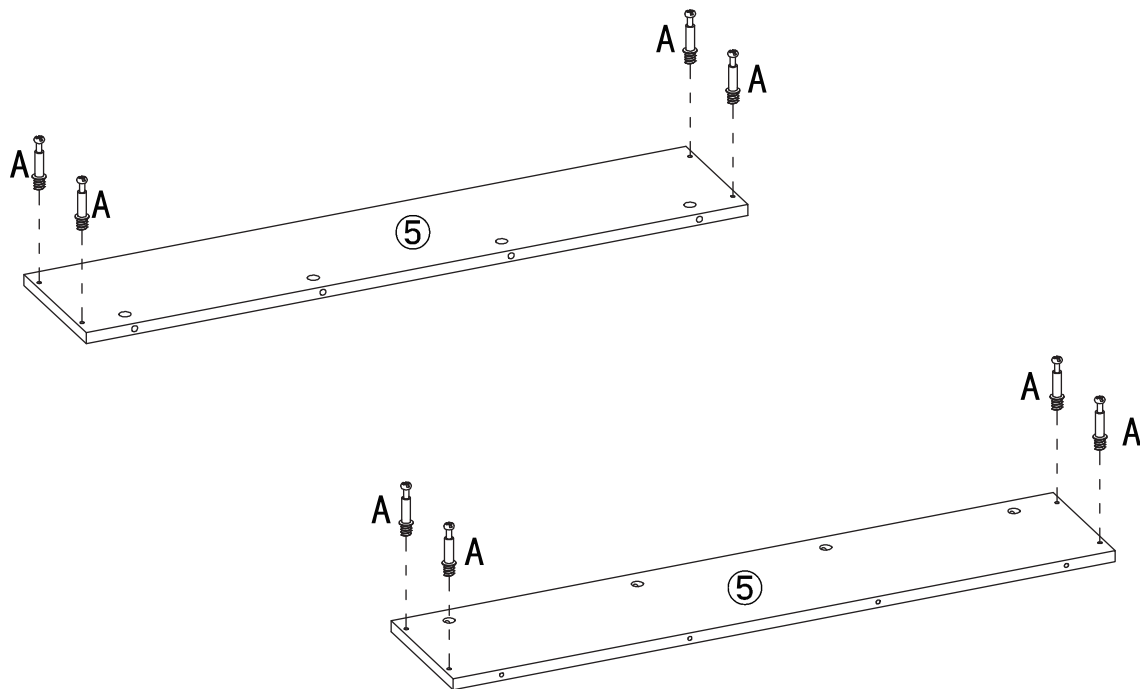
∅15x12mm x12

C

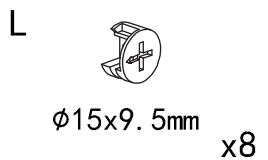
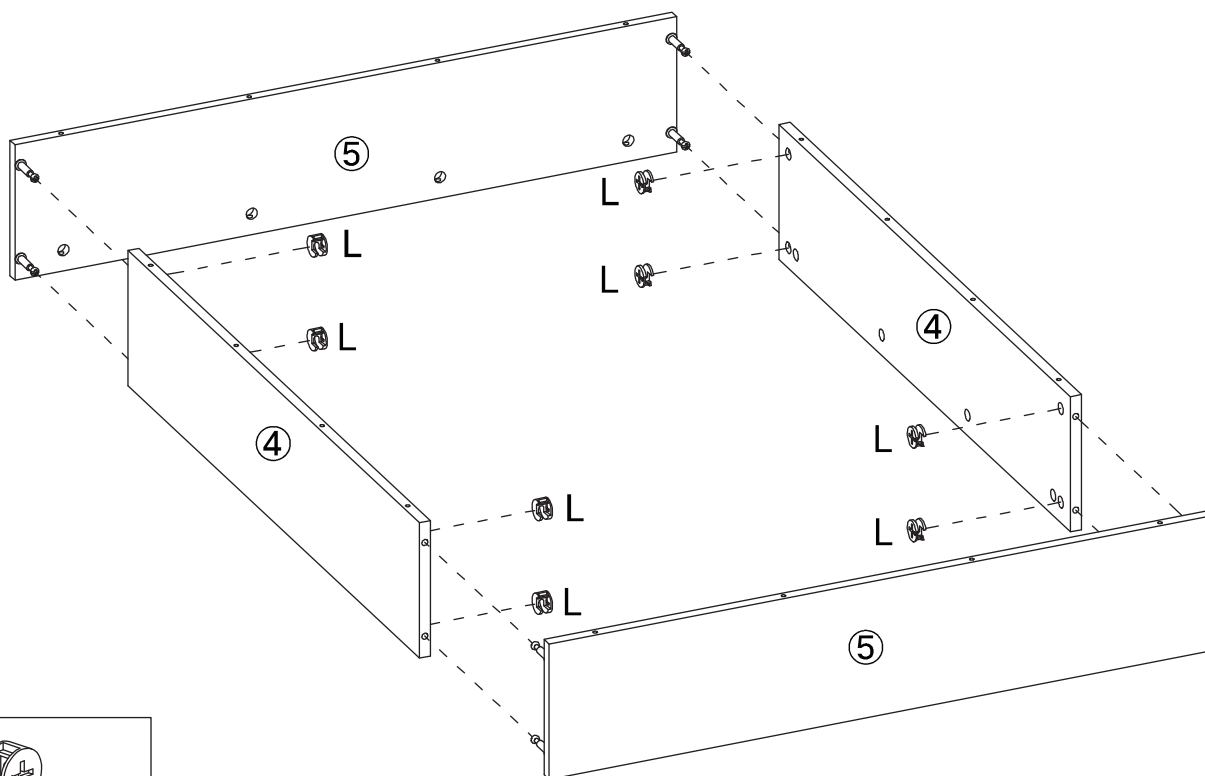


∅8x40mm x8

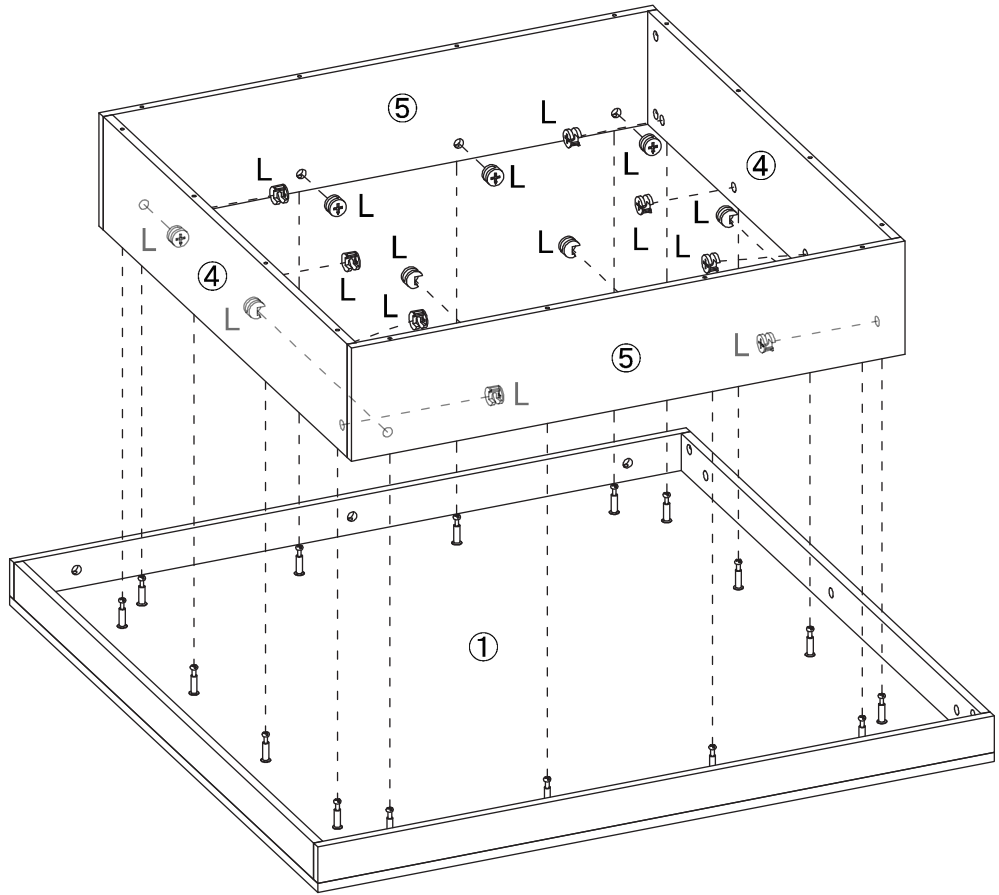
STEP5



STEP6



STEP 7

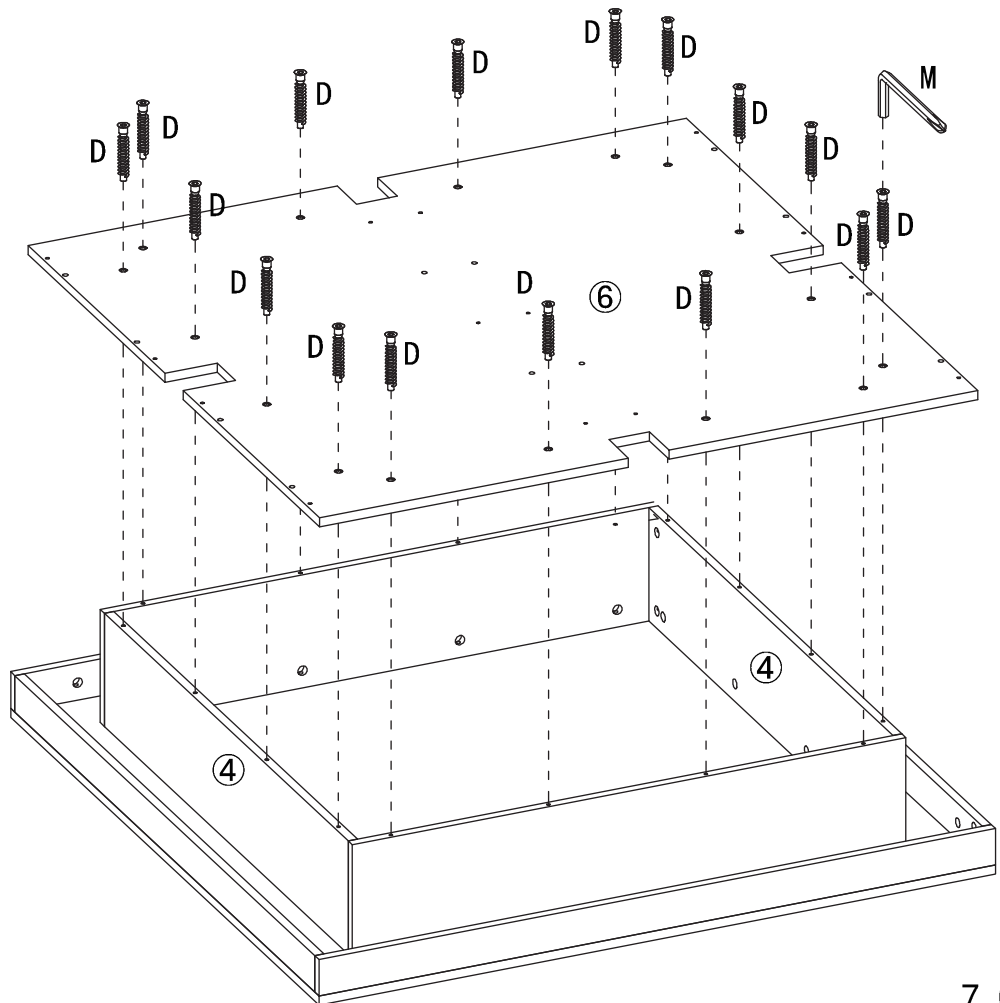


L



φ15x9.5mm
x16

STEP 8



D



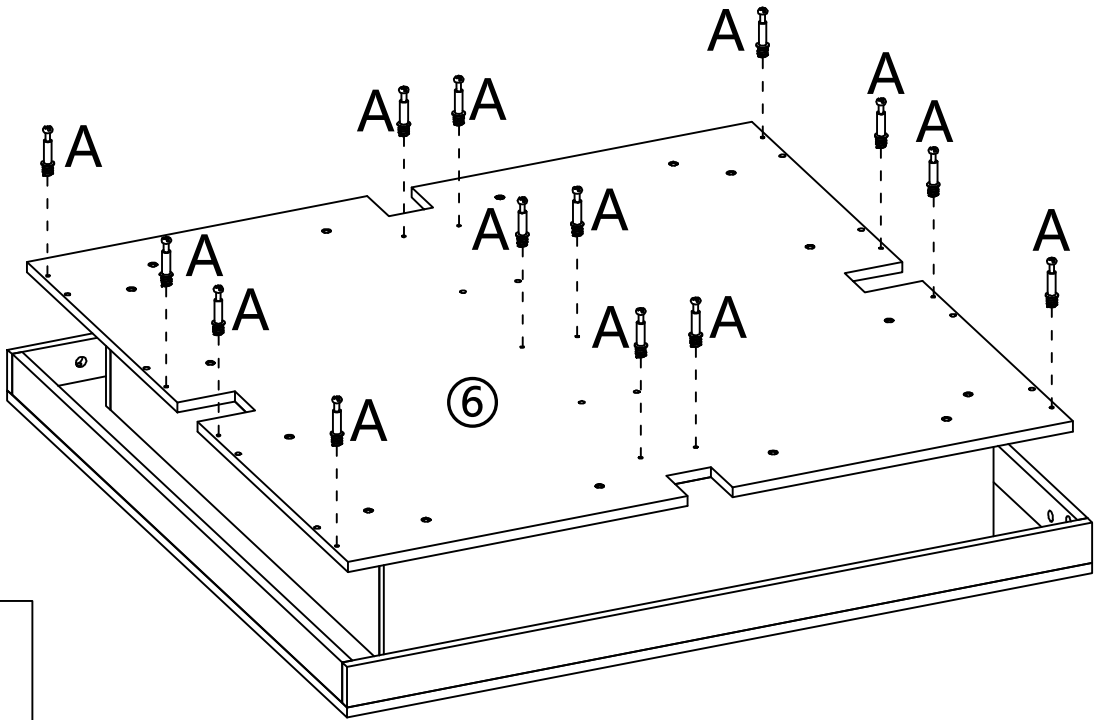
5x40mm
x16

M

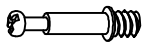


M4
x1

STEP 9



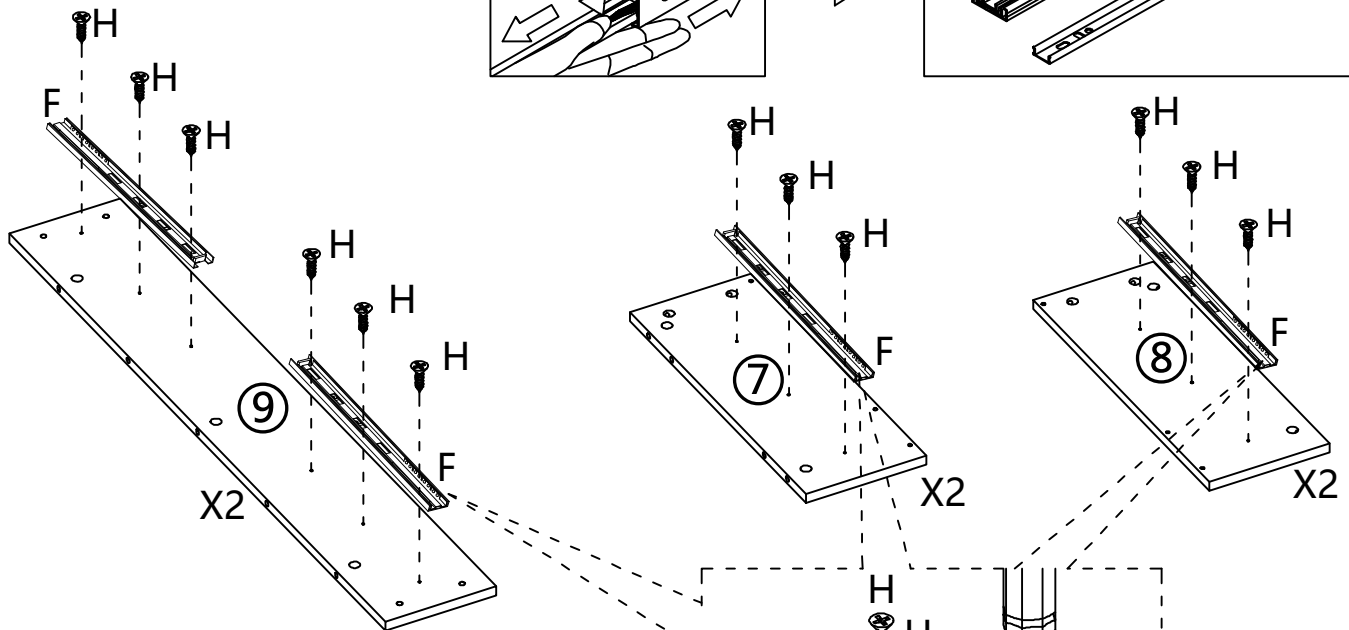
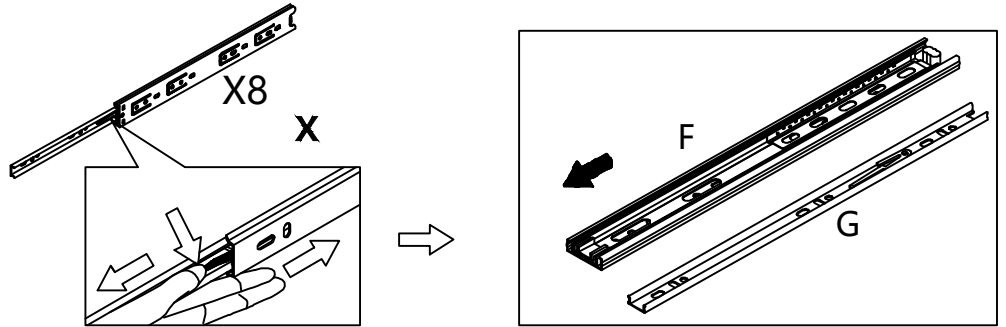
A



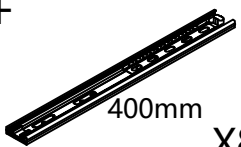
6x40mm

x14

STEP 10



F



400mm

X8

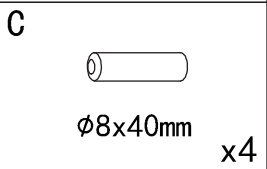
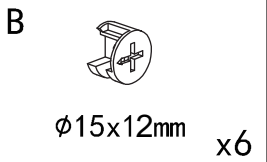
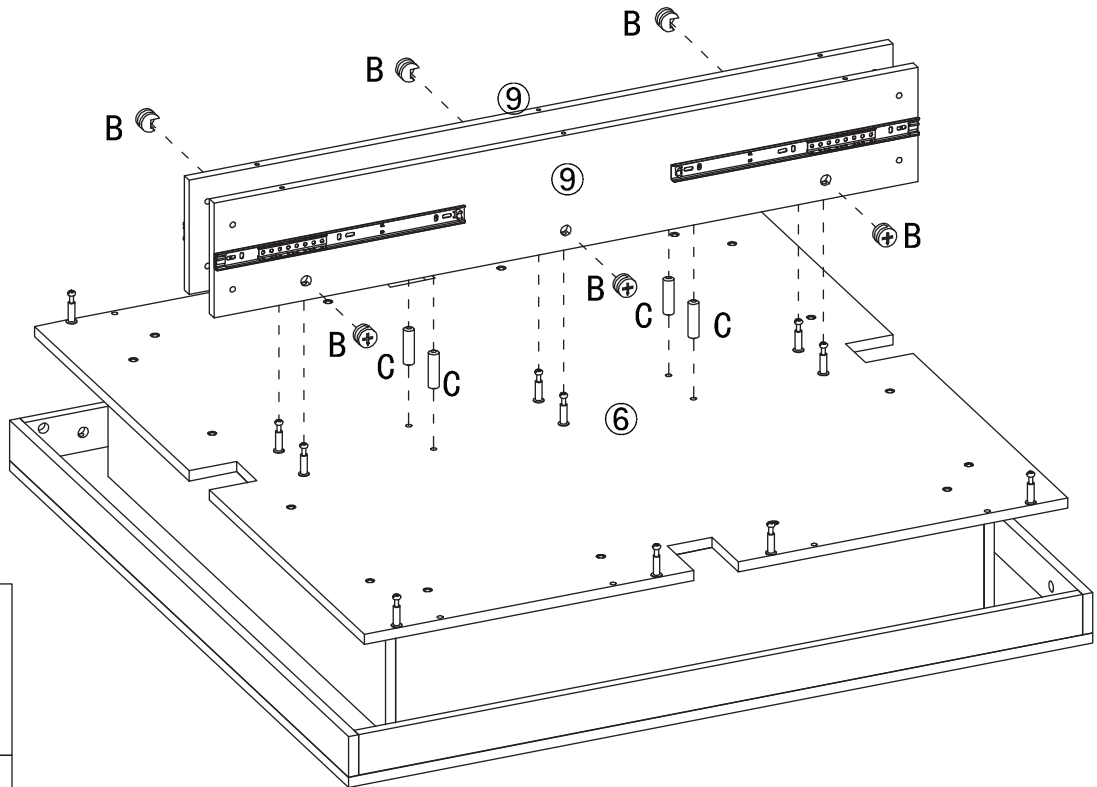
H



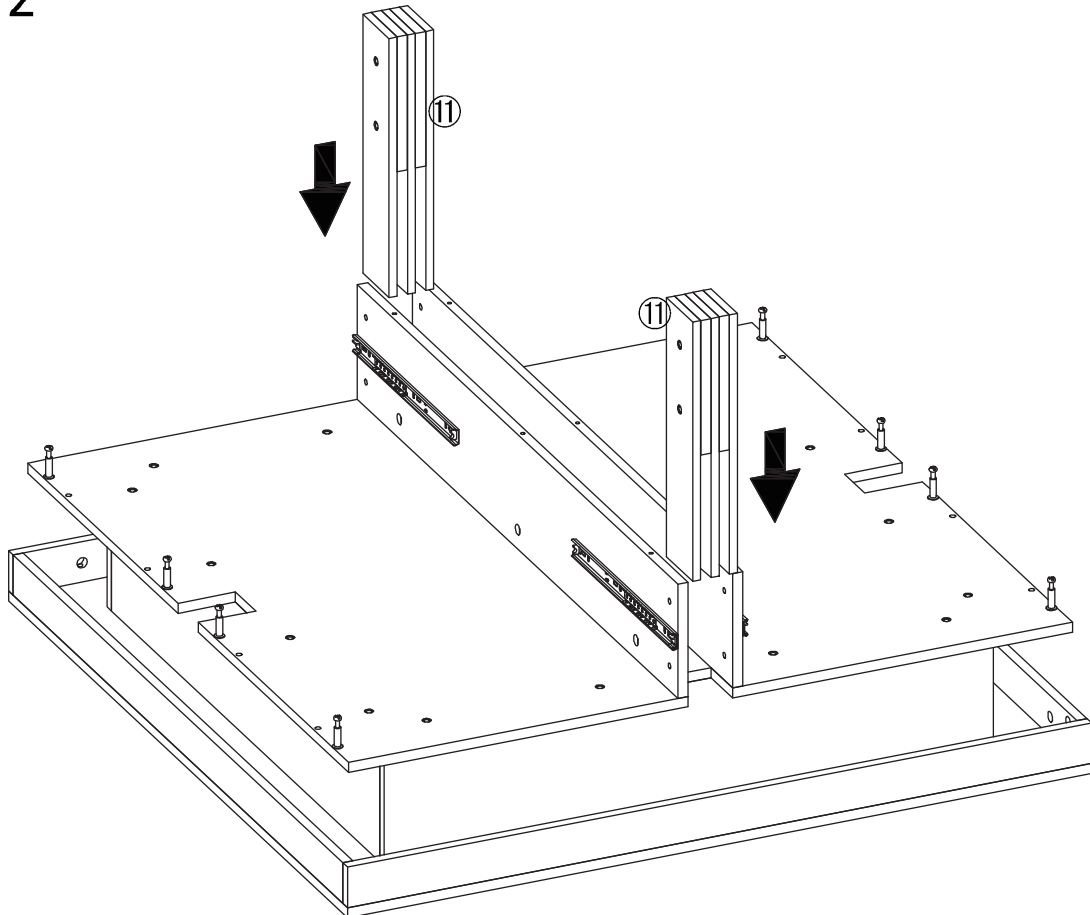
M4x12mm

X24

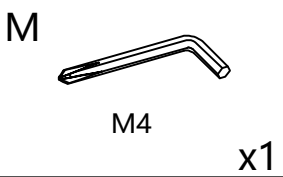
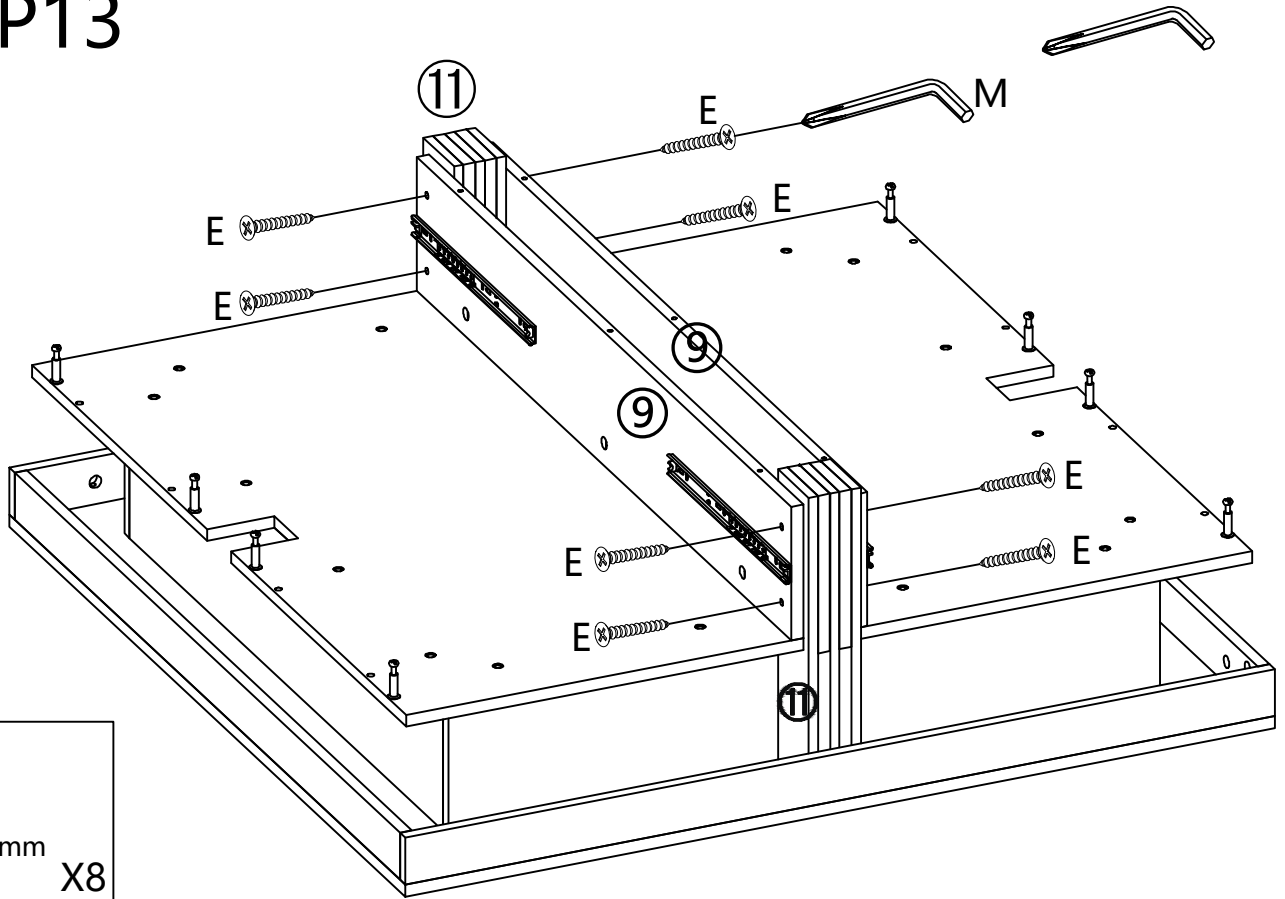
STEP 11



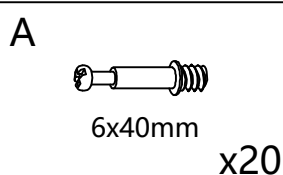
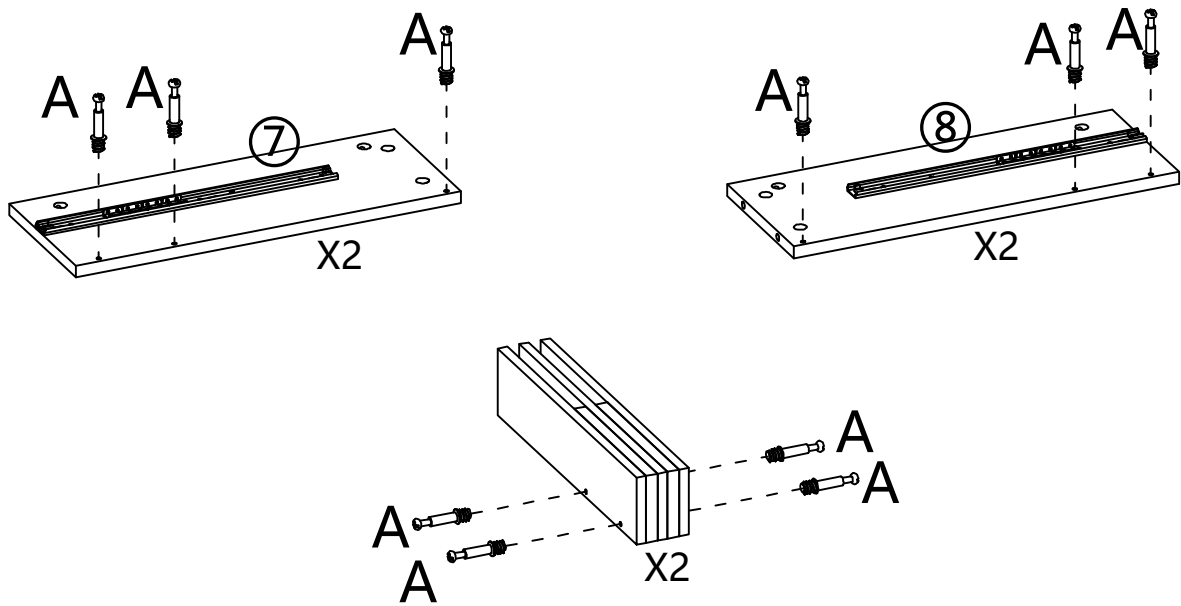
STEP 12



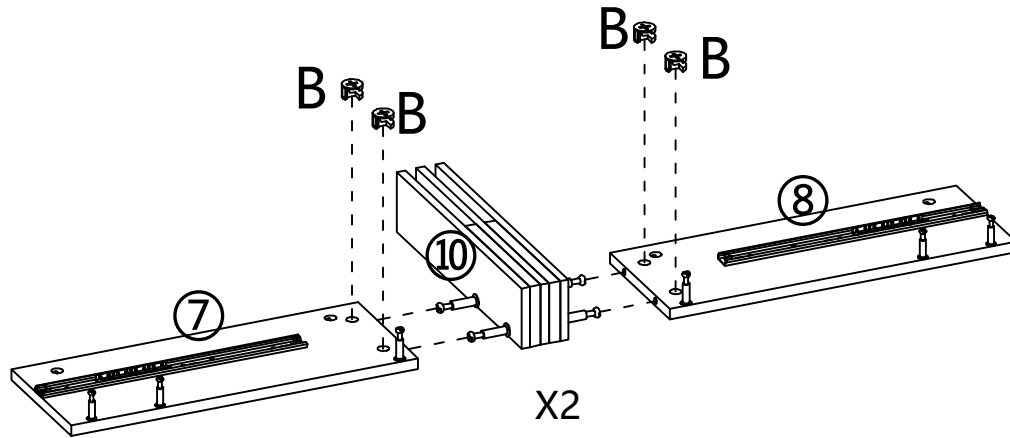
STEP13



STEP14



STEP15



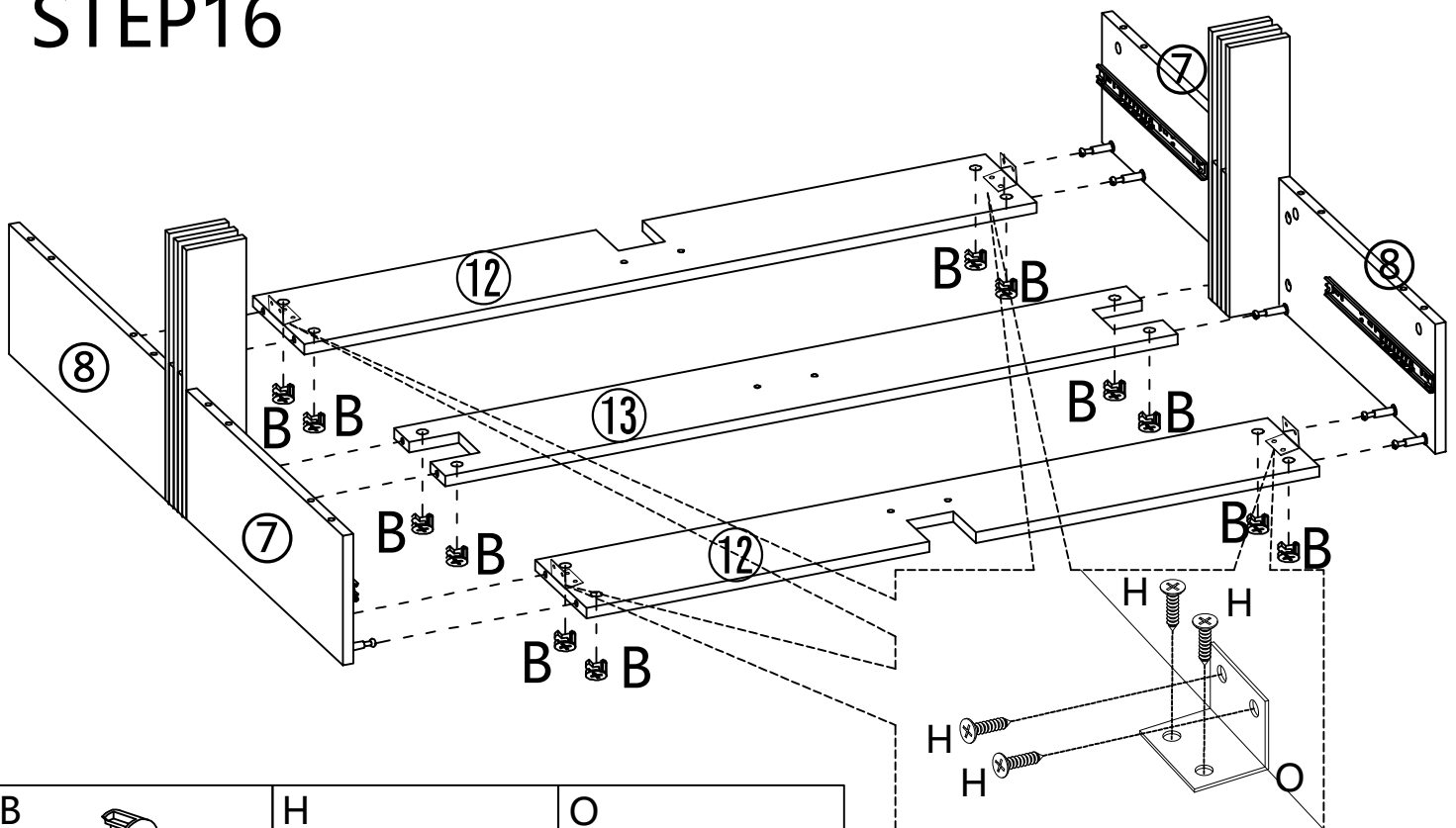
B



ø15*12mm

X8

STEP16



B



ø15*12mm

X8

H



M4x12mm

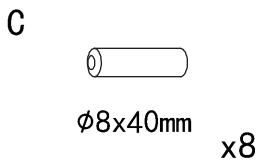
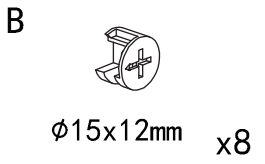
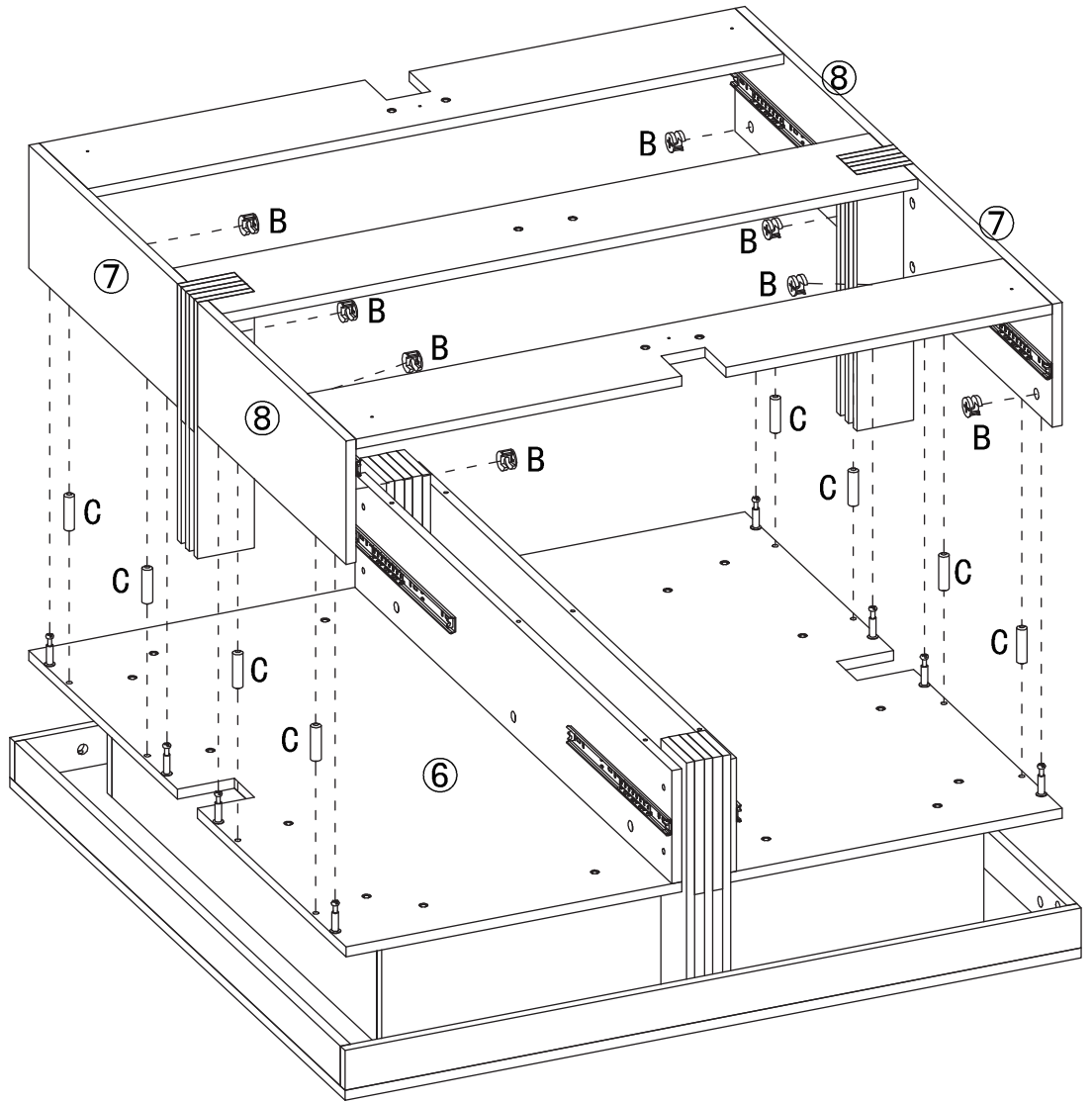
x20

O

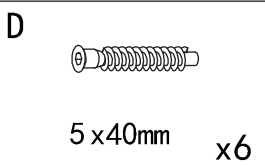
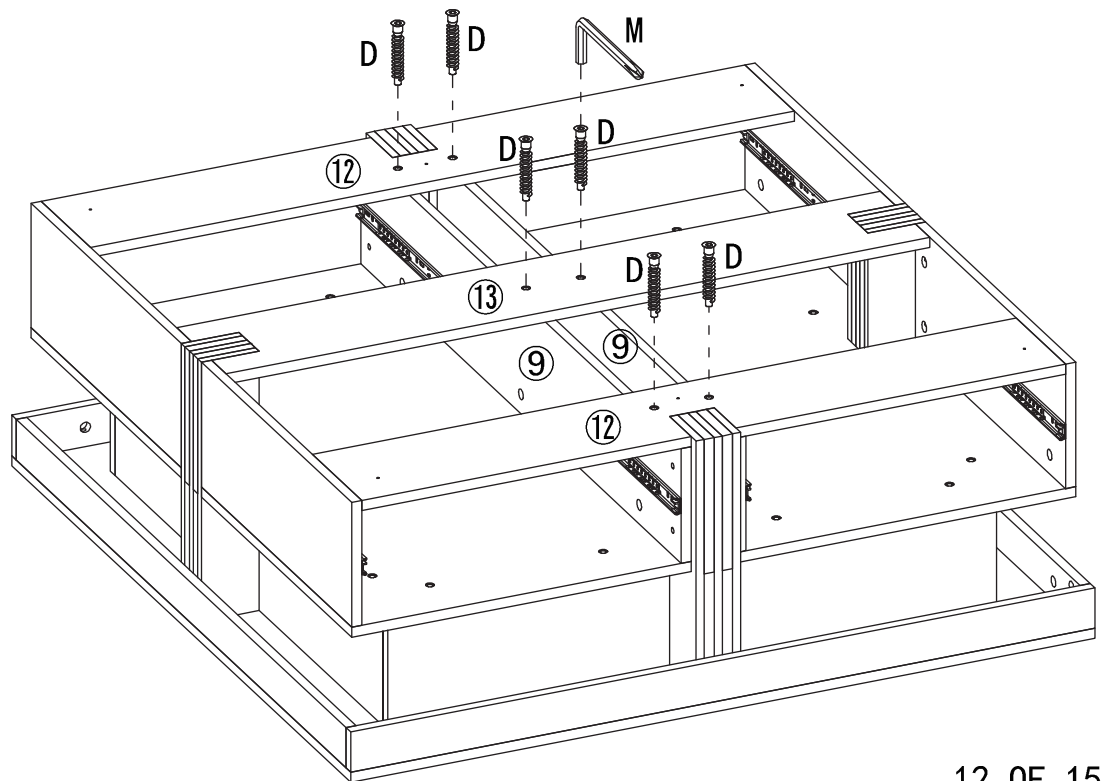


x4

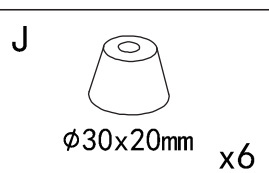
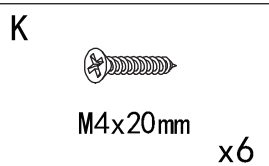
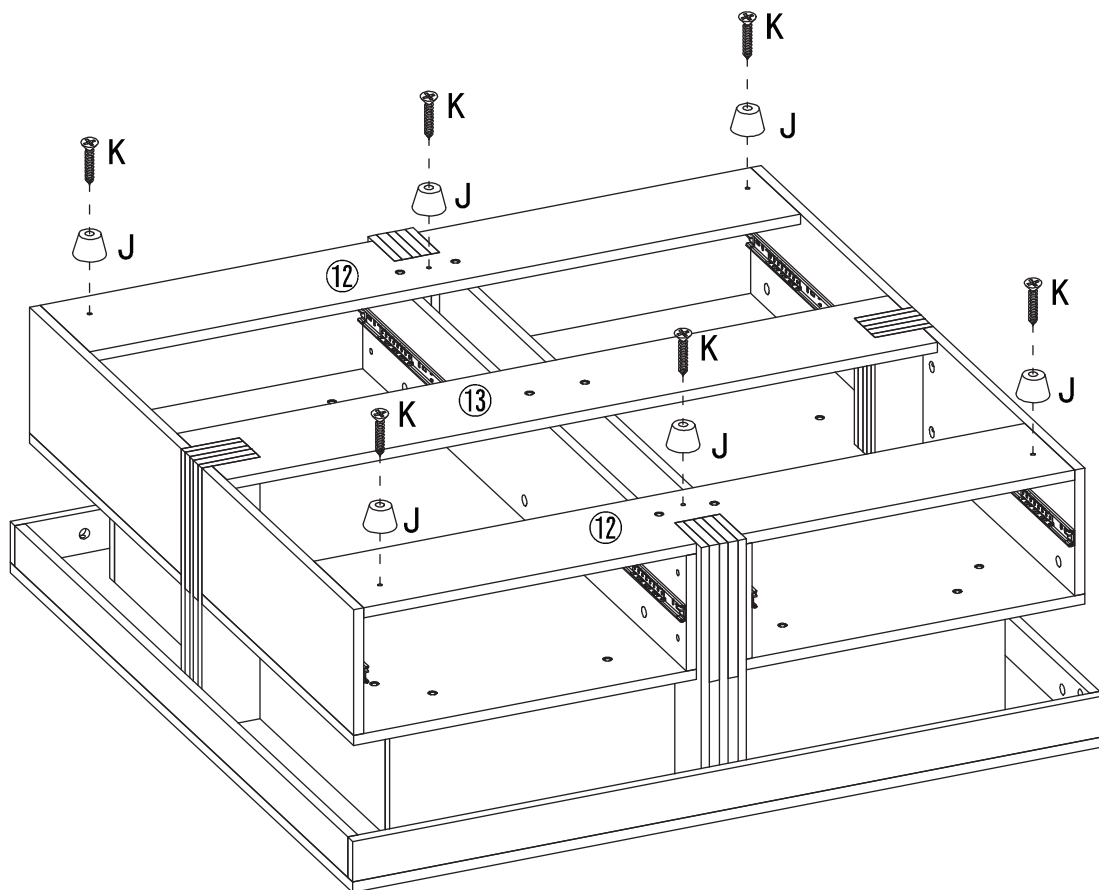
STEP 17



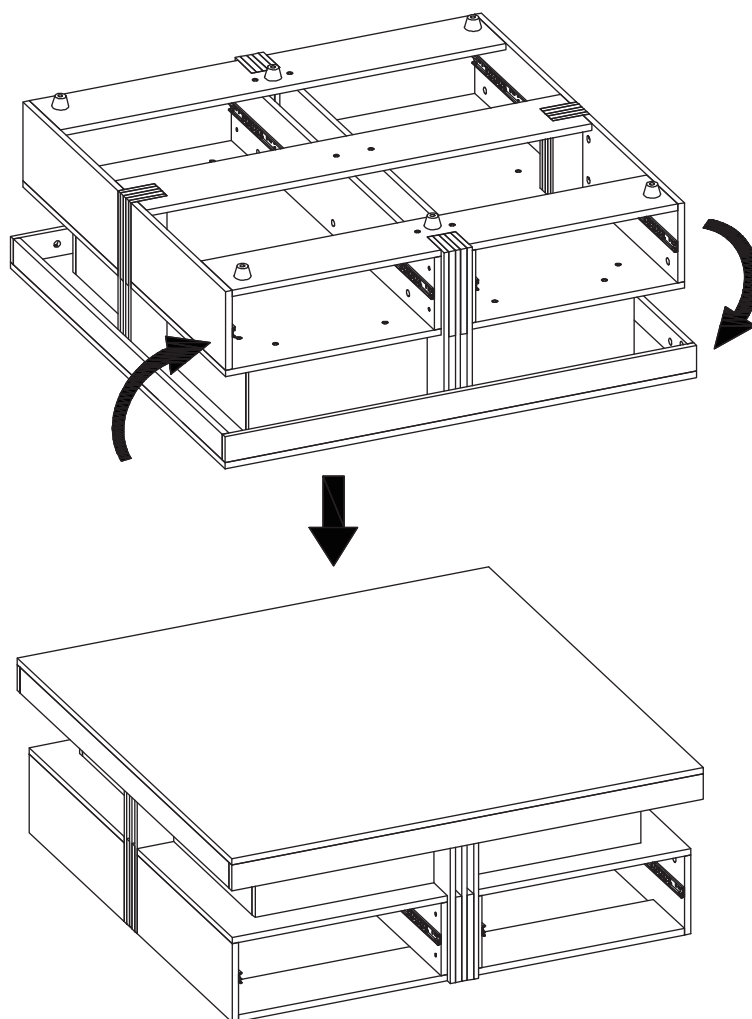
STEP 18



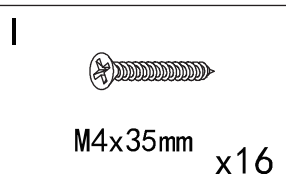
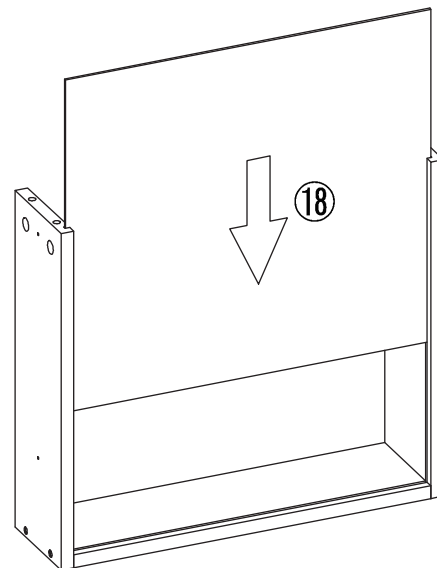
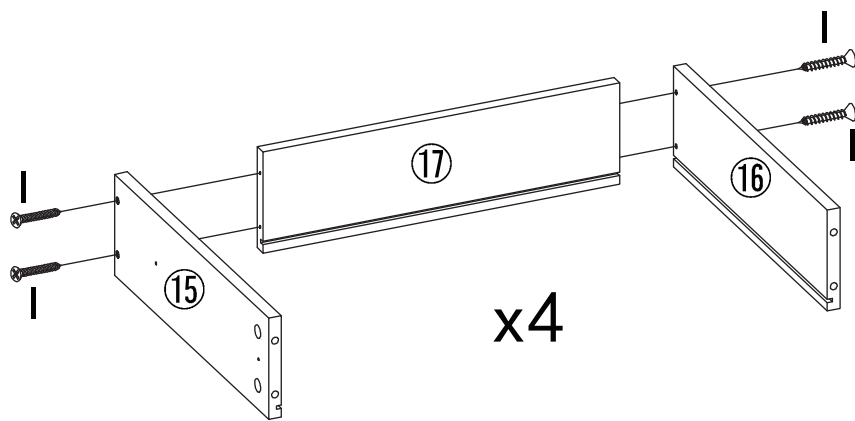
STEP 19



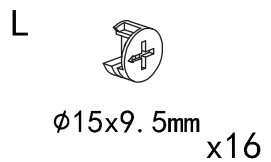
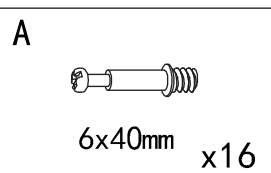
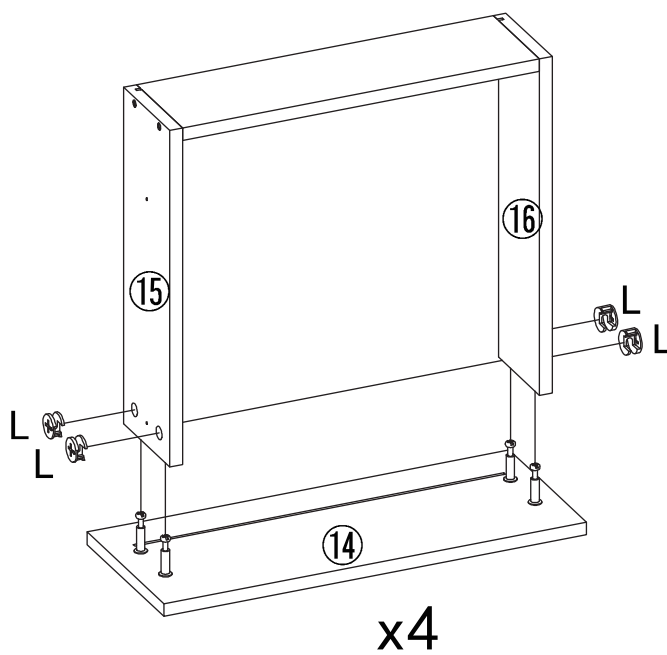
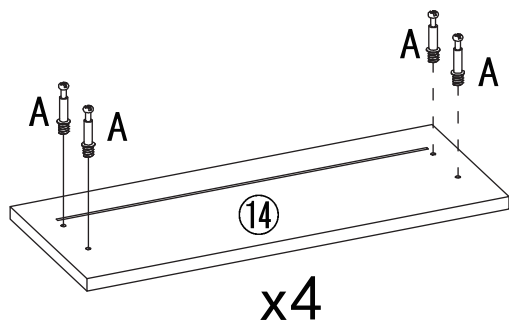
STEP 20



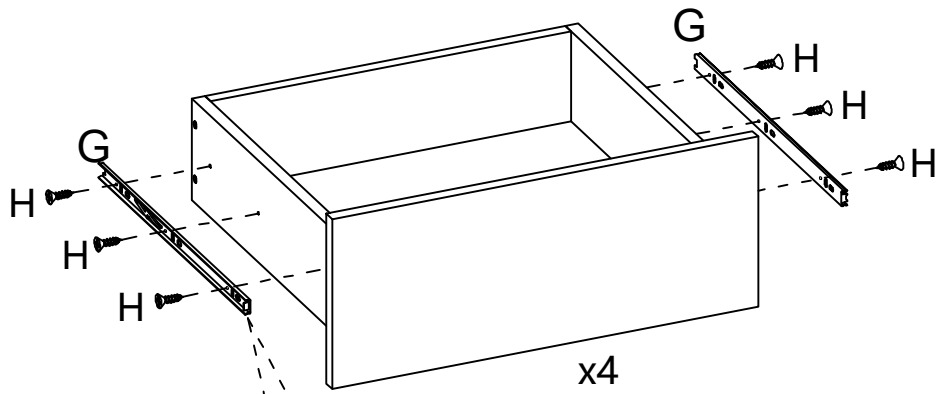
STEP21





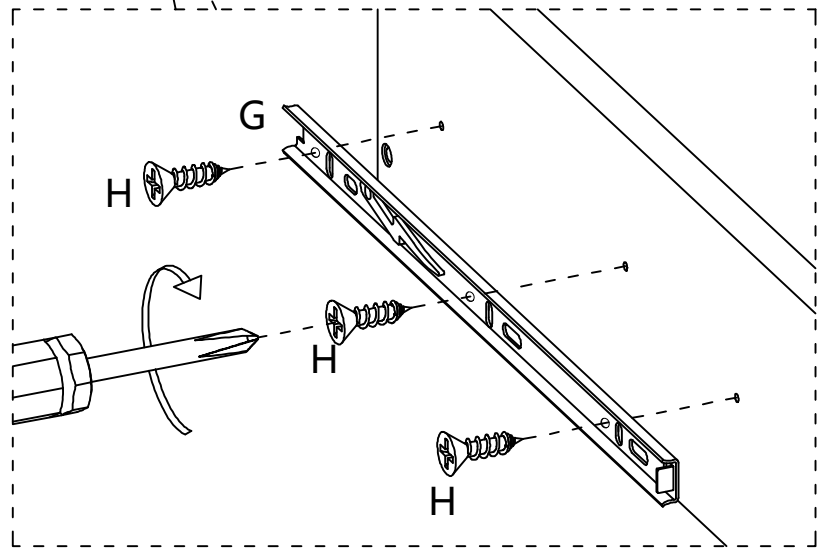
STEP22



STEP23



G	
	400mm
	x4
H	
	M4x12mm
	x24



STEP24

