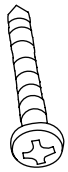
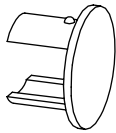


8 | 8pcs

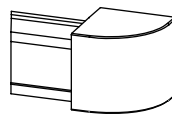


3.5x $\frac{40}{1.6}$

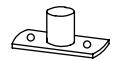
9 | 8pcs



10 | 2pcs



11 | 1pc



12 | 2pcs



13 | 2pcs



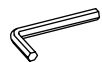
4x $\frac{20}{0.8}$

14 | 4pcs



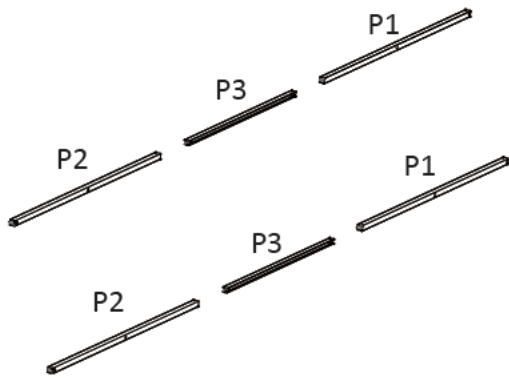
M6x $\frac{15}{0.6}$

15 | 1pc

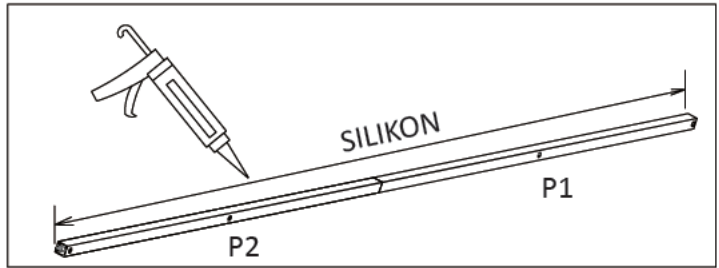
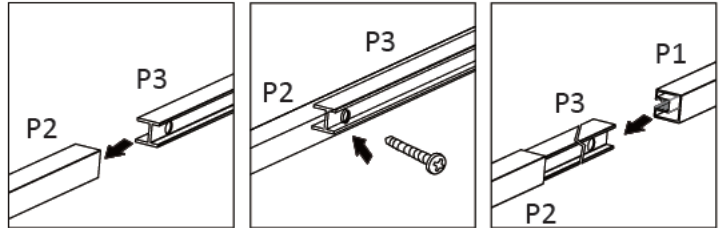




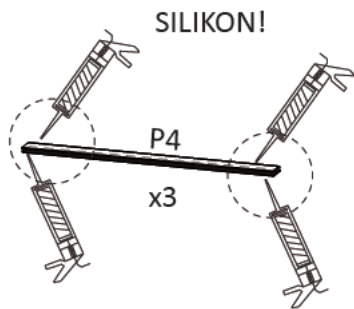
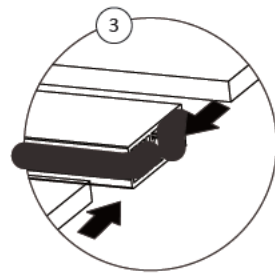
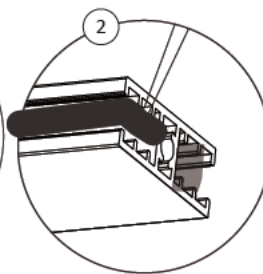
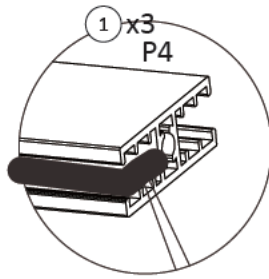
1



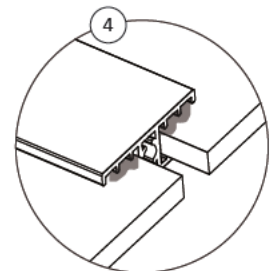
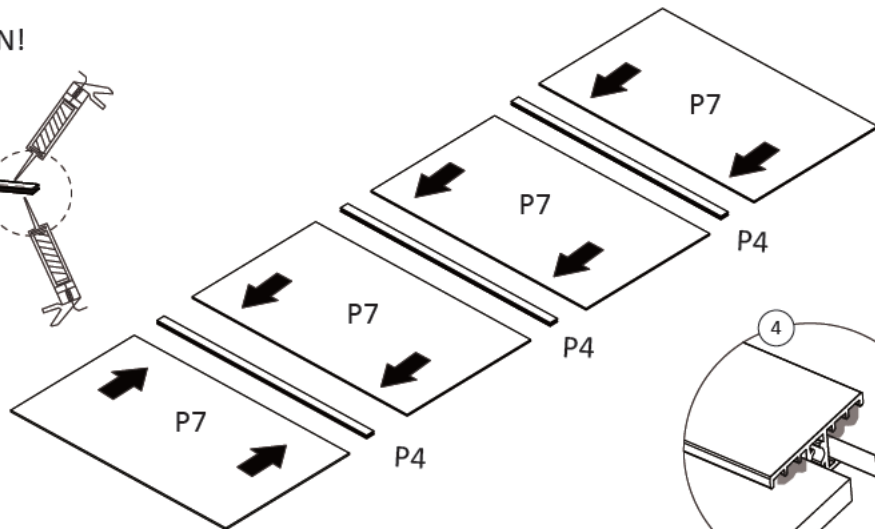
x2



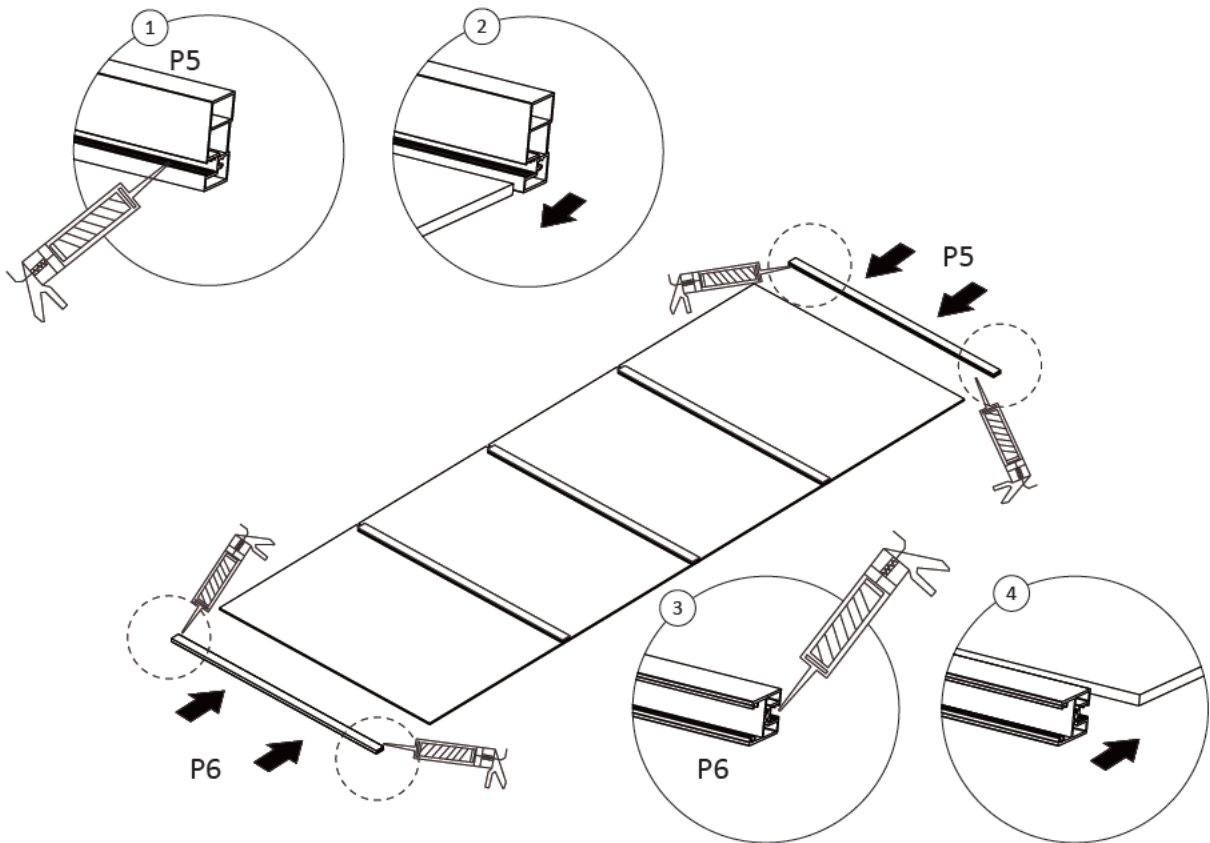
2



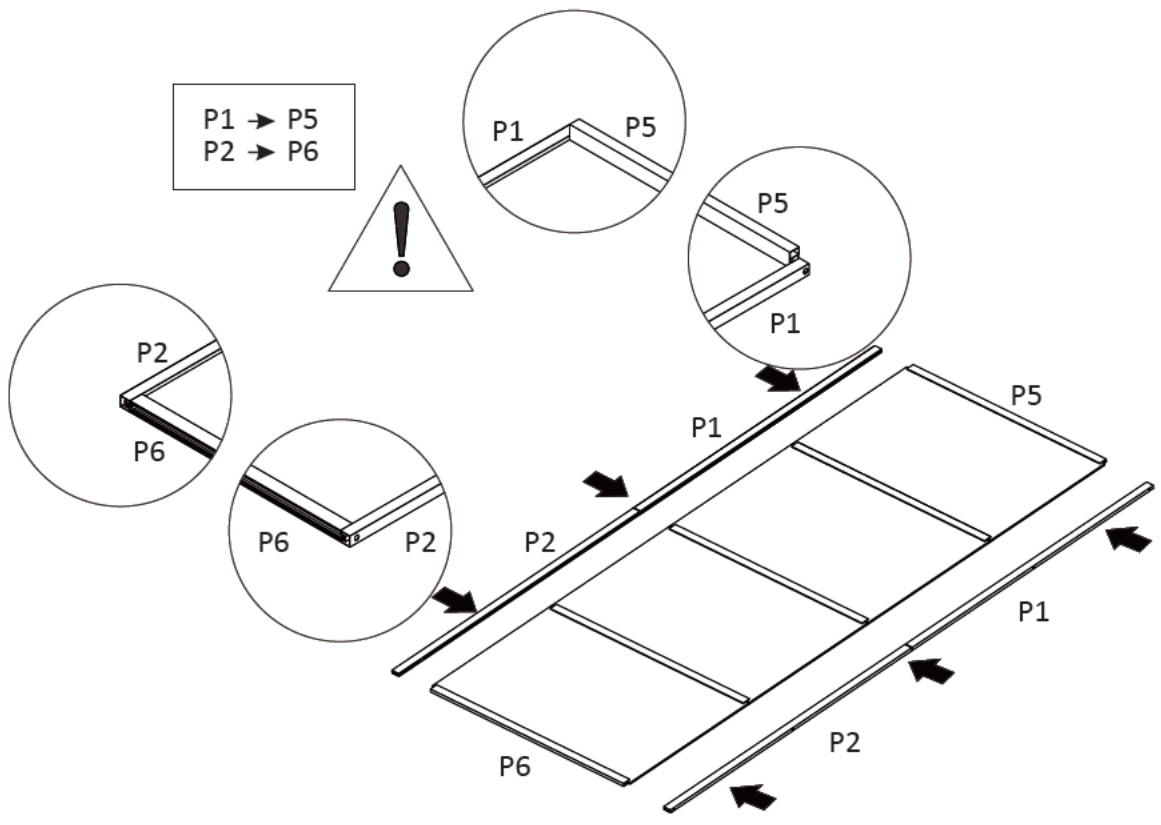
x3



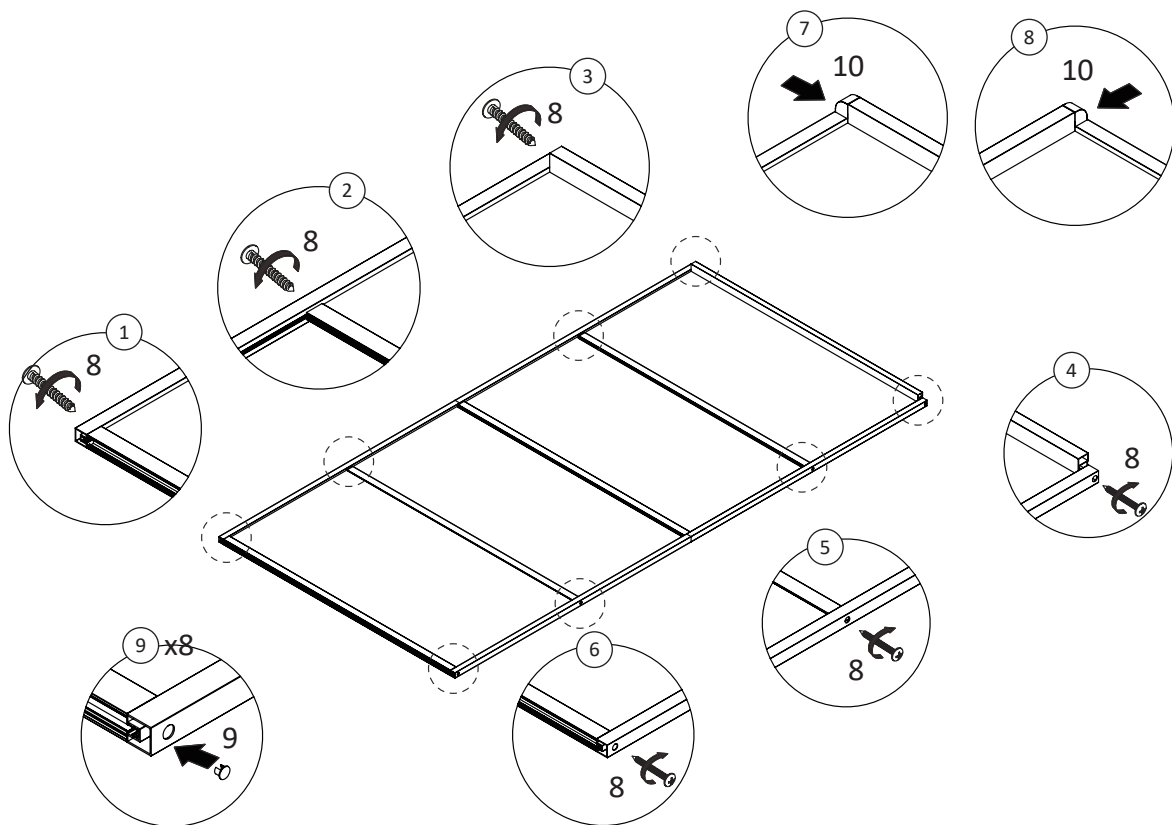
3



4

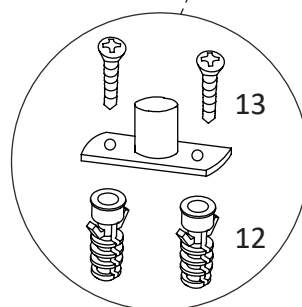
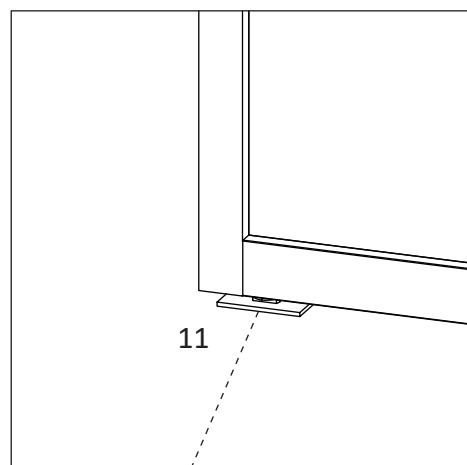
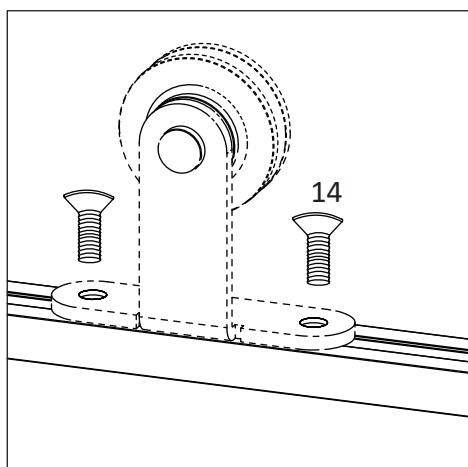


5



6

x4



7

