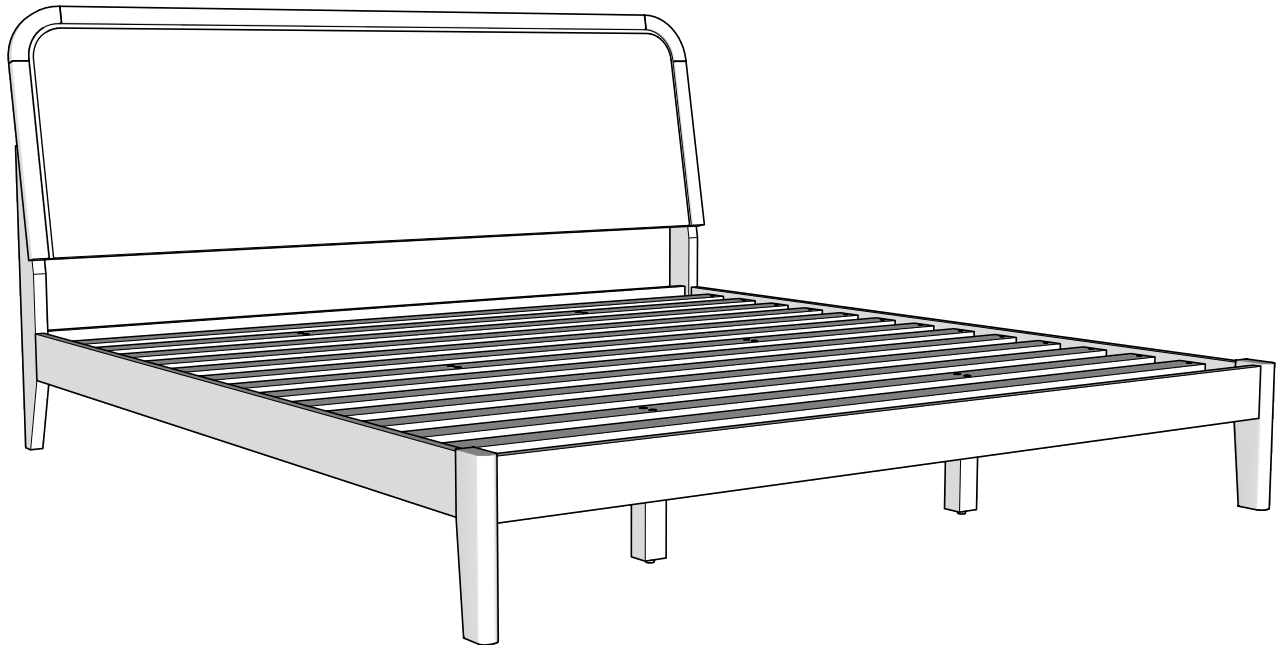


# ASSEMBLY GUIDE & CARE INFORMATION

FOR YOUR KING SIZE BED

191050-K



For the most up-to-date assembly instructions, scan the QR code below.

*We continuously improve our guides based on customer feedback!*



**Most customers  
assemble under  
60 minutes**



**Assembly is  
easiest with 2  
people**



**Required tool  
(not provided)  
#2 Phillips Screwdriver**

# Important Assembly & Safety Notes

- 1. Do not assemble or use this product if any parts are missing, damaged, or broken.**  
Contact customer support for factory replacement parts before proceeding.
- 2. Carefully check all packing materials before discarding the carton.**  
Small hardware may have come loose during shipment.
- 3. Identify and count all parts and hardware before starting.**  
Compare each item with the parts and hardware list in the instructions.
- 4. Follow the assembly steps exactly as shown.**  
Improper assembly may result in personal injury or property damage.
- 5. Some parts may be heavy or have sharp edges.**  
Use caution when handling components.
- 6. Secure all bolts firmly before use.**  
Do not use the bed until all fasteners are fully tightened.
- 7. Recheck and tighten all bolts every 90 days.**  
This helps maintain long-term stability and prevents loosening over time.
- 8. Do not drag or push the bed frame.**  
Always use two people to lift and reposition the bed. Dragging may damage the legs, slats, or center support.
- 9. Use floor protection on non-carpeted surfaces.**  
An area rug or furniture pads are recommended (not included).
- 10. Do not use or store this product near open flames or flammable chemicals.**
- 11. Keep these instructions for future reference and maintenance.**

---

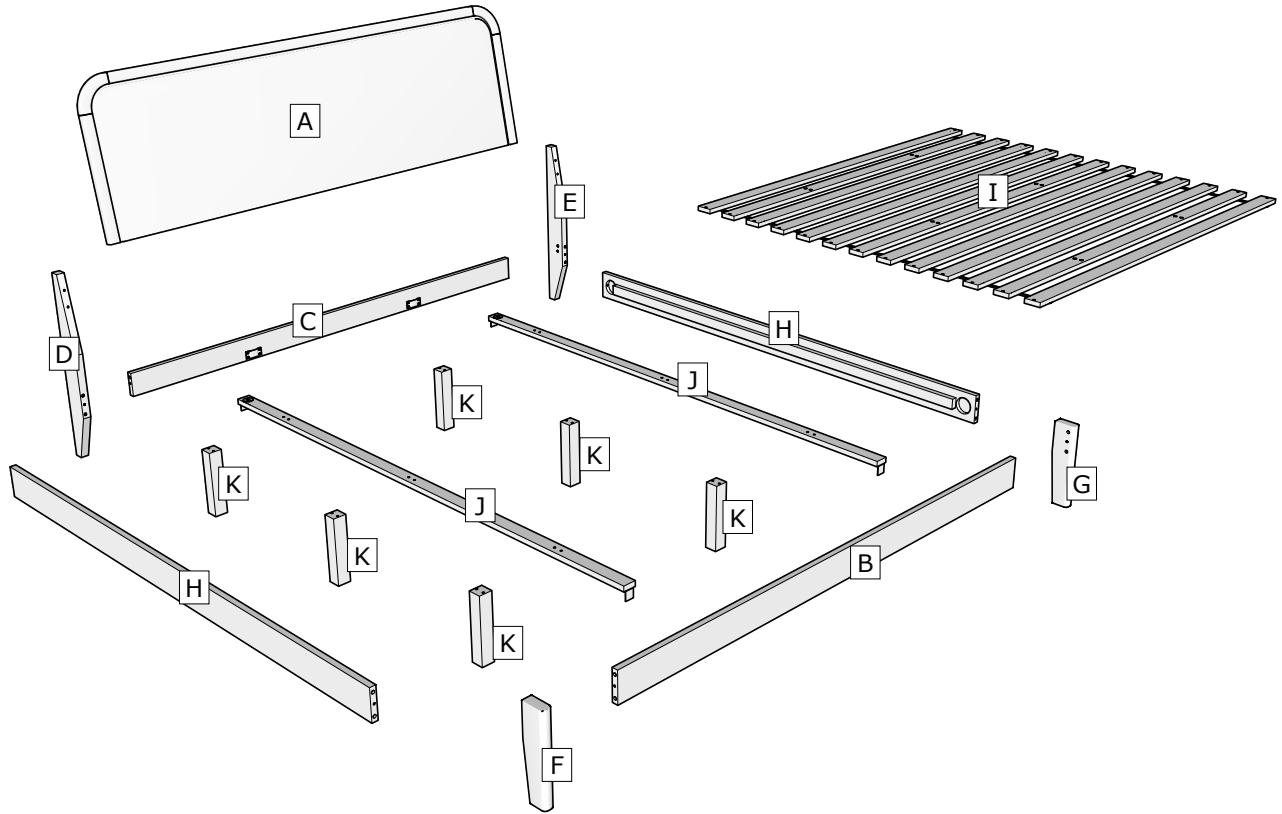
## Need a replacement part?

Please contact us through the website used for your purchase.  
To help us resolve your request quickly, include:

- **Clear photos of the issue**
- **The part number and quantity needed**

**IMPORTANT:** Seller and Manufacturer disclaim all and any liability for property damage, personal injury, or loss, direct, indirect, or incidental, resulting from the incorrect assembly, inadequate maintenance, improper use, or neglect of this product.

# Bed Parts Check List



A	Headboard	x1
B	Footboard	x1
C	Headboard Rail	x1
D	Headboard Post Left	x1
E	Headboard Post Right	x1
F	Footboard Foot Left	x1
G	Footboard Foot Right	x1
H	Side Rail	x2
I	Bed Slat	x13
J	Slat Support	x2
K	Support Leg	x6

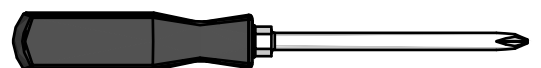


### Need a replacement screw?





Refer to the Hardware Check List below for size specifications.

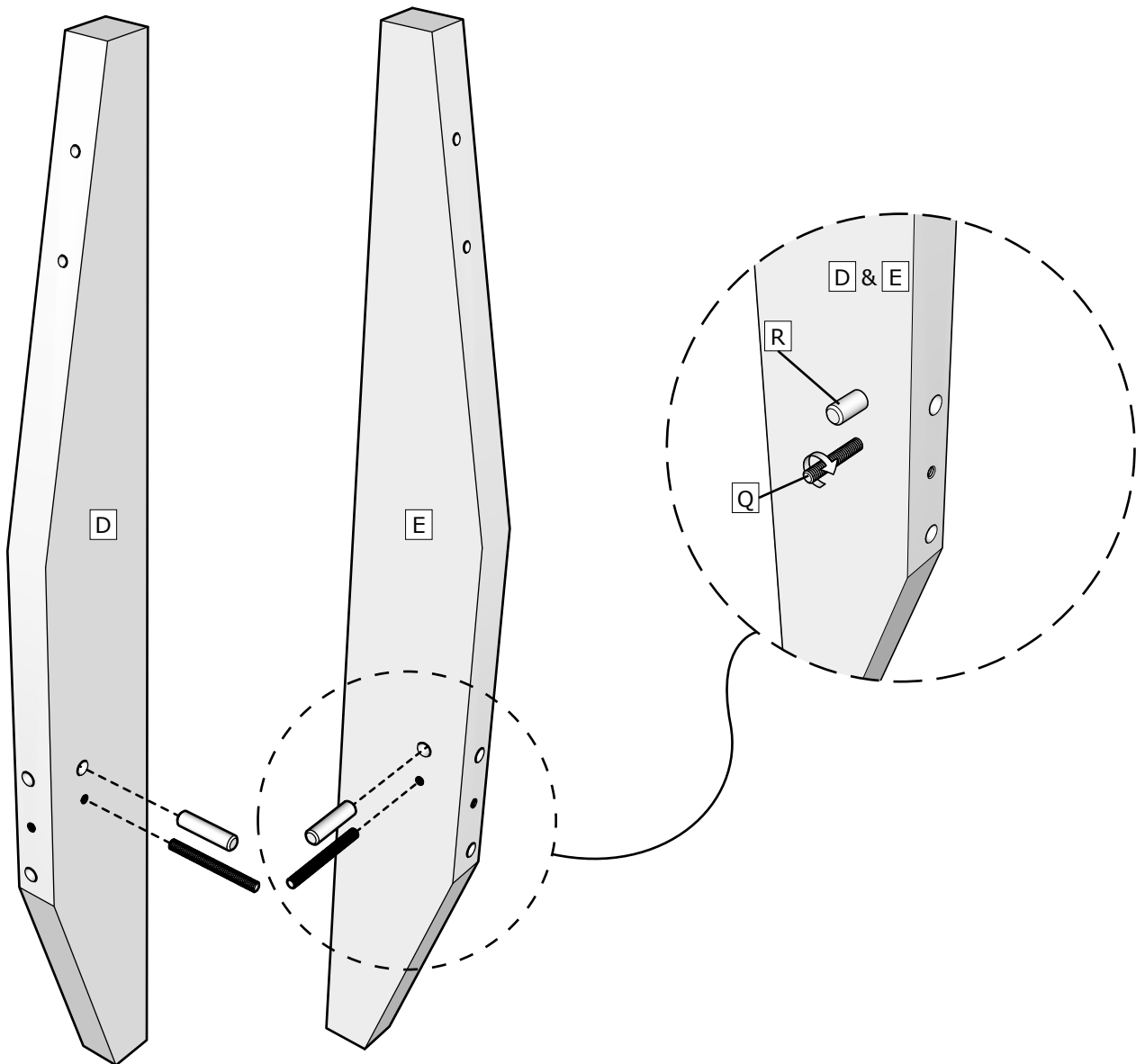
L	Screw	x26	M4 x 32mm	
M	Hex Nut	x8	M8	
N	Bolt	x4	M6 x 35mm	
O	Bolt	x12	M6 x 60mm	
P	Half Moon Washer	x8	M8 x 30mm	
Q	Threaded Rod	x8	M8 x 65mm	
R	Dowel	x14	M10 x 40mm	
S	Adjustable Feet	x6	M6 x 23mm	
T	Hex Key Wrench	x1	M4	
U	Open End Wrench	x1	M8	

Required Tool  
**( Not Provided )**  
 #2 Phillips Screwdriver






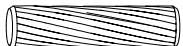
# Bed Assembly Step 1

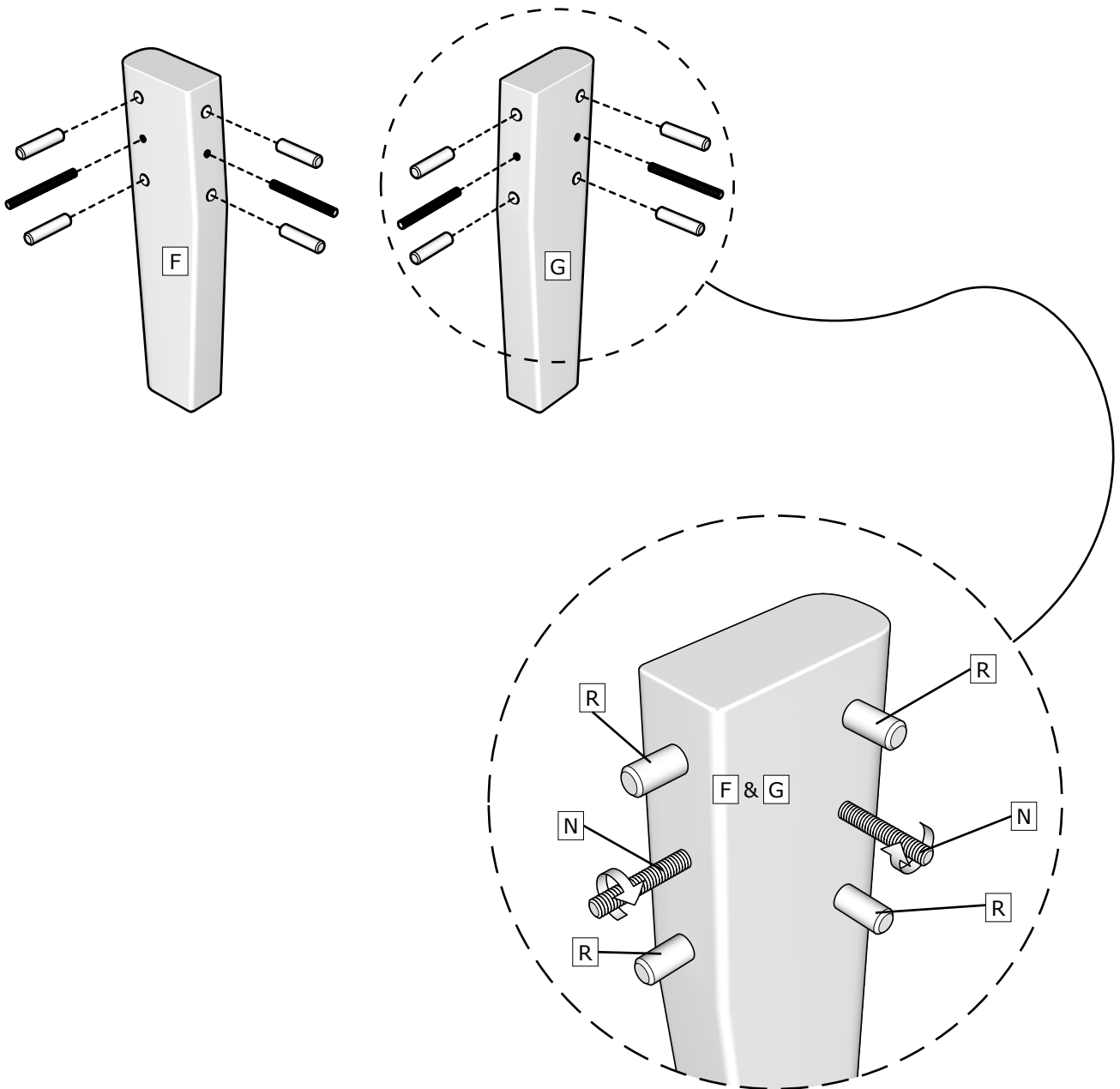
<b>D</b> Headboard Post Left x1 	<b>E</b> Headboard Post Right x1 	<b>Q</b> Threaded Rod x2  M8 x 65mm	<b>R</b> Dowel x2  M10 x 40mm
---	--	---	--



- Insert **Q** and **R** to **D** and **E** as shown.

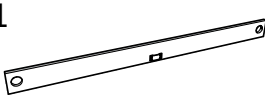

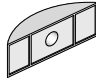
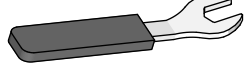
# Bed Assembly Step 2

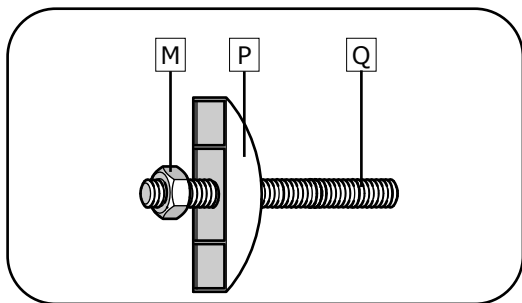
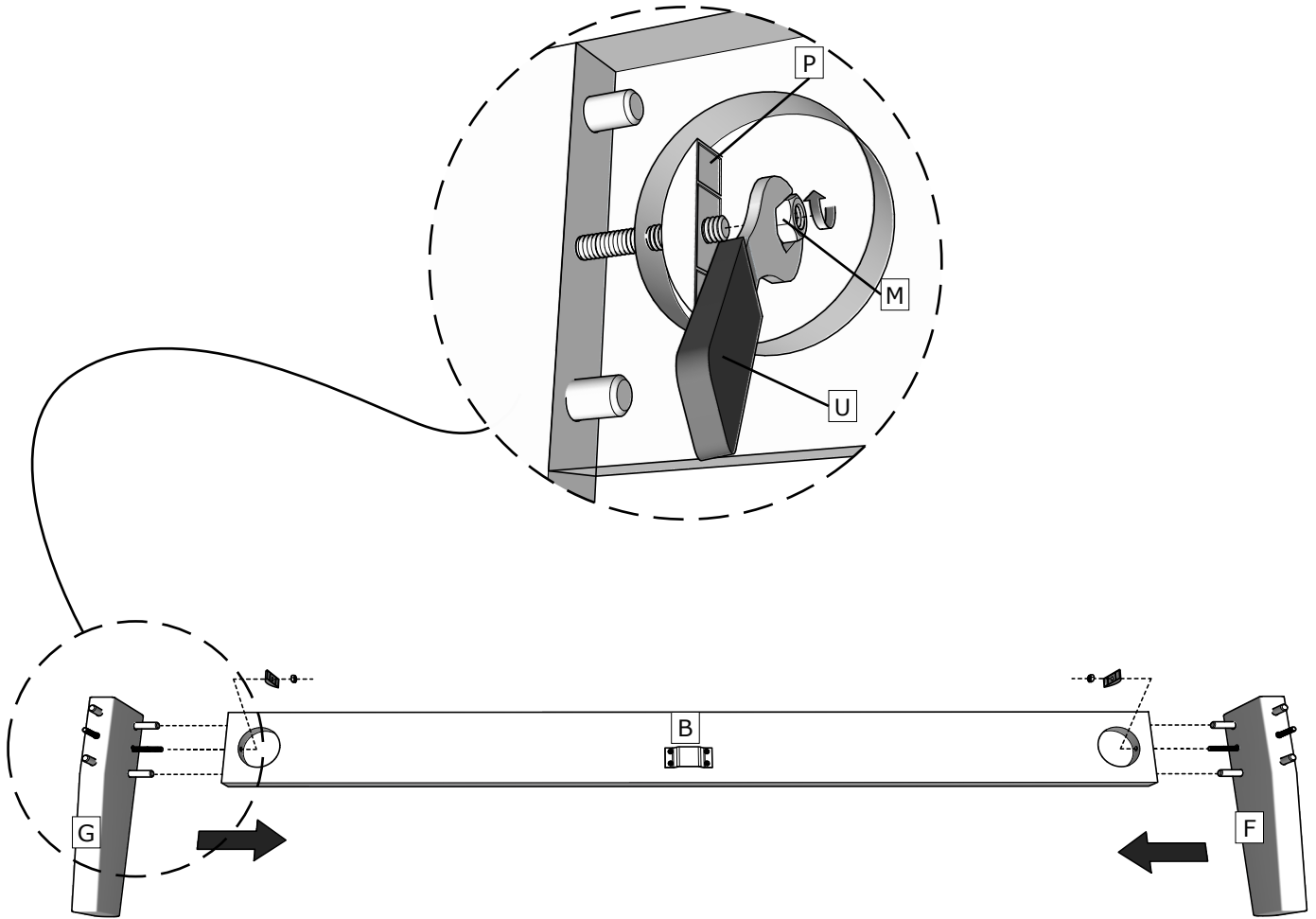
<b>F</b> Footboard Leg Left x1 	<b>G</b> Footboard Leg Right x1 	<b>Q</b> Threaded Rod x4  M8 x 65mm	<b>R</b> Dowel x8  M10 x 40mm
--	---	---	--



• Insert **Q** and **R** to **F** and **G** as shown.

# Bed Assembly Step 3

<b>B</b> Footboard x1 	<b>M</b> Hex Nut x2 M8 	<b>P</b> Half Moon Washer x2 M8 x 30mm 	<b>U</b> Open End Wrench x1 M8 
---	---	--	---


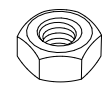
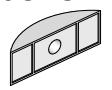
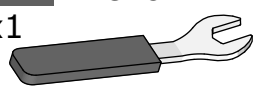


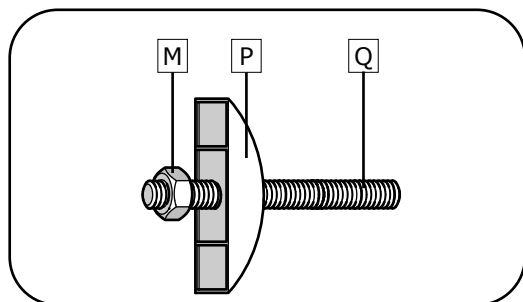
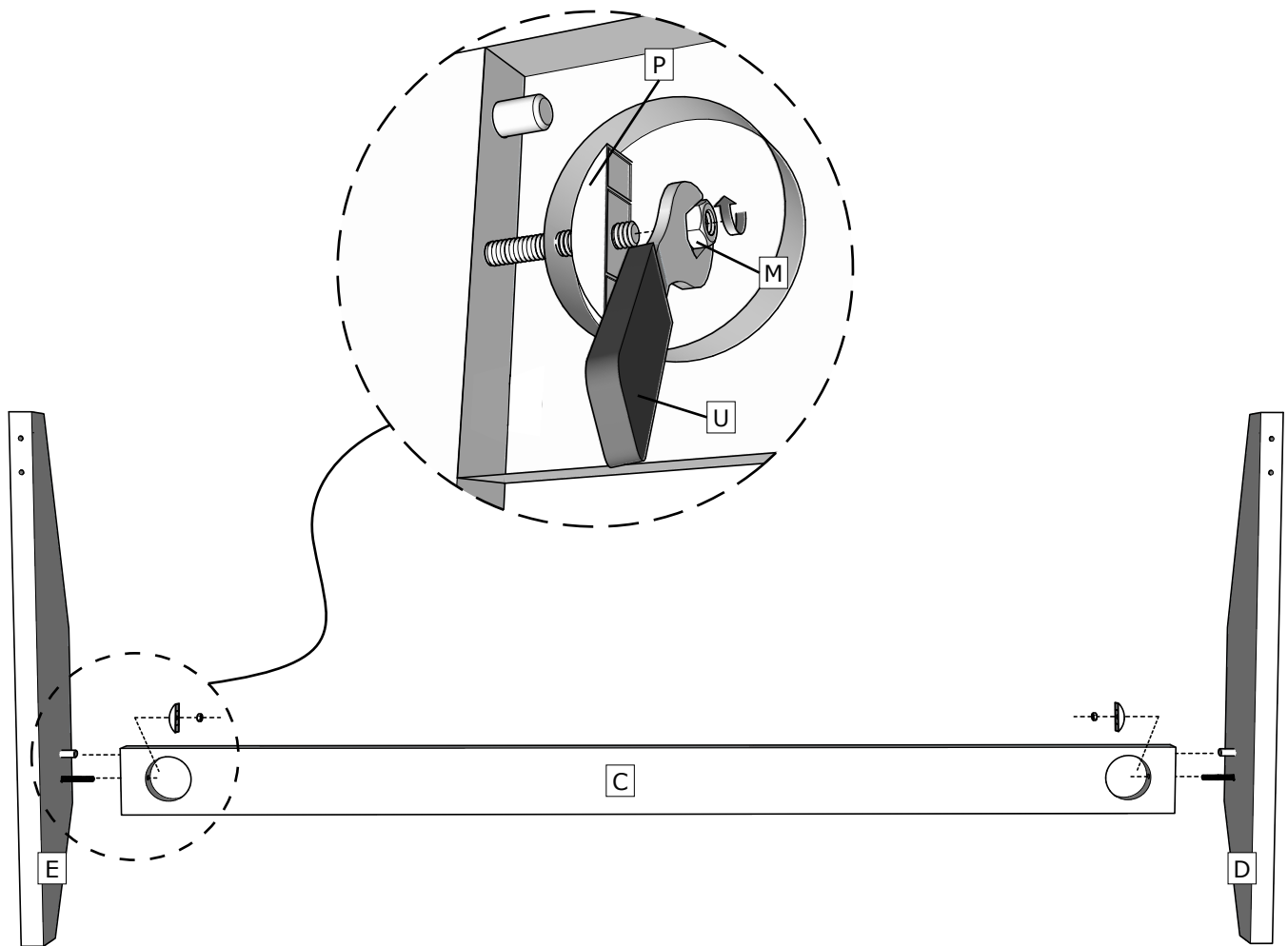
Note:

Make sure to attach all Hex nuts **M** and Half Moon Washers **P** before tightening.

- Attach **F** and **G** to **B** with **M** and **P** using an Open End Wrench **U**.

# Bed Assembly Step 4

<b>C</b> Headboard Rail x1 	<b>M</b> Hex Nut x2  M8	<b>P</b> Half Moon Washer x2  M8 x 30mm	<b>U</b> Open End Wrench x1  M8
--	---	--	---

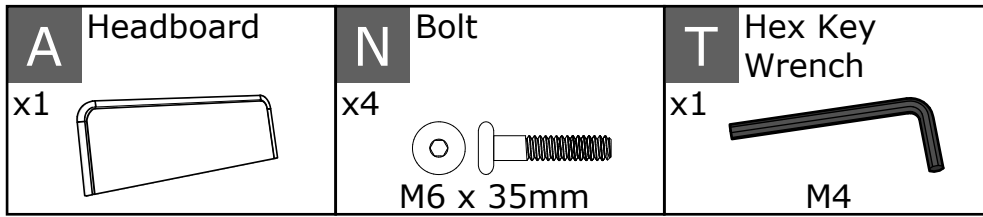


Note:

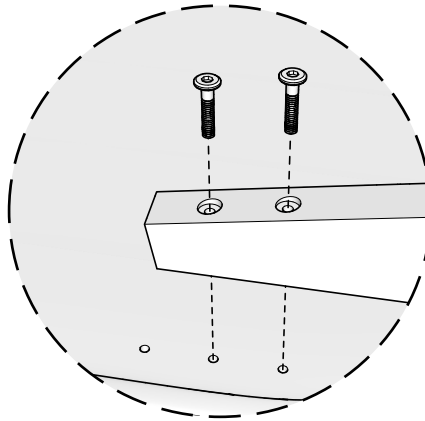
Make sure to attach all Hex nuts **M** and Half Moon Washers **P** before tightening.

- Attach **D** and **E** to **C** with **M** and **P** using an Open End Wrench **U**.

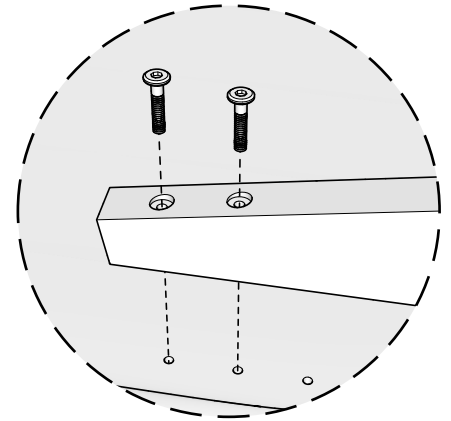
# Bed Assembly Step 5



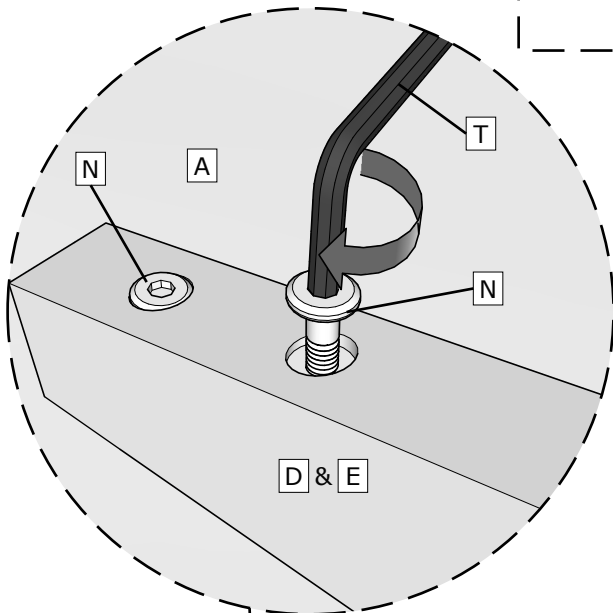
Adjustable headboard height.  
Assemble bolts at preferred height as shown below.



Highest Position

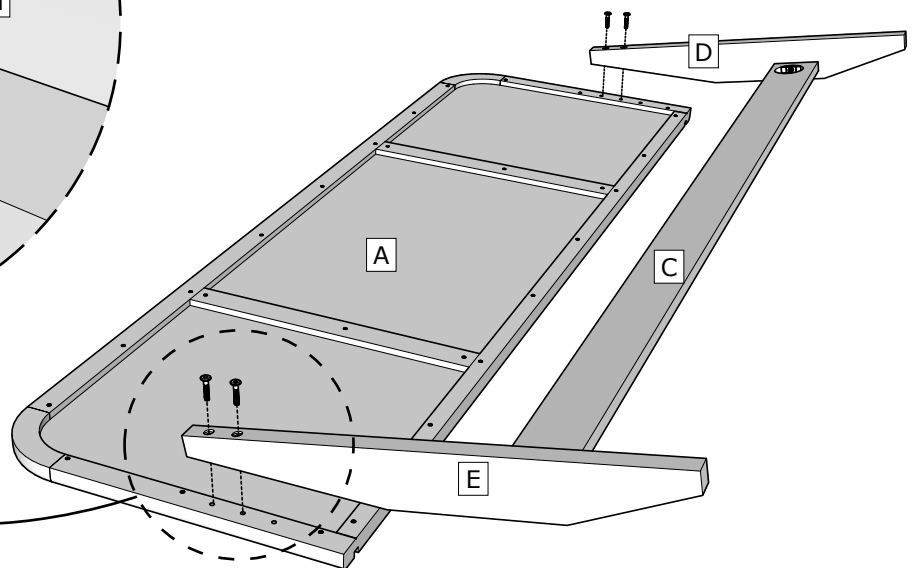


Lowest Position





## Warning!

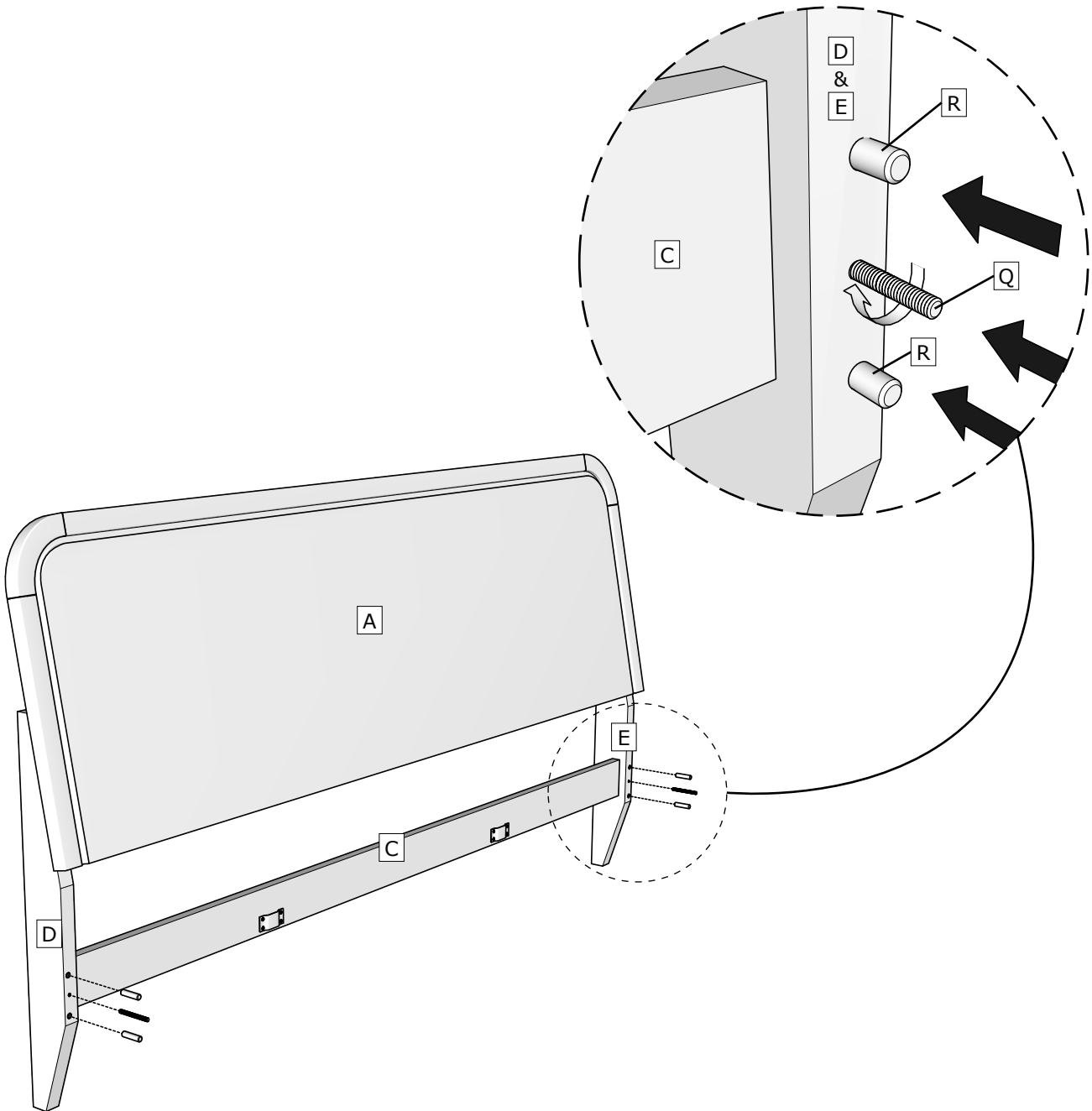
Do not use power tools to tighten the bolts.  
Hand-tighten bolts to secure the headboard safely.



- Attach **A** to Assembled Headboard Leg **D** and **E** with **N** using a Hex Key Wrench **T** as shown.

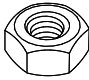
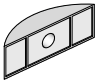
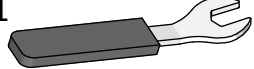
# Bed Assembly Step 6

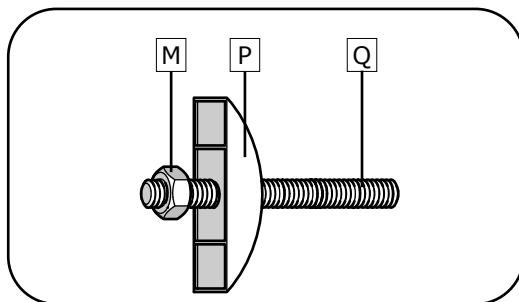
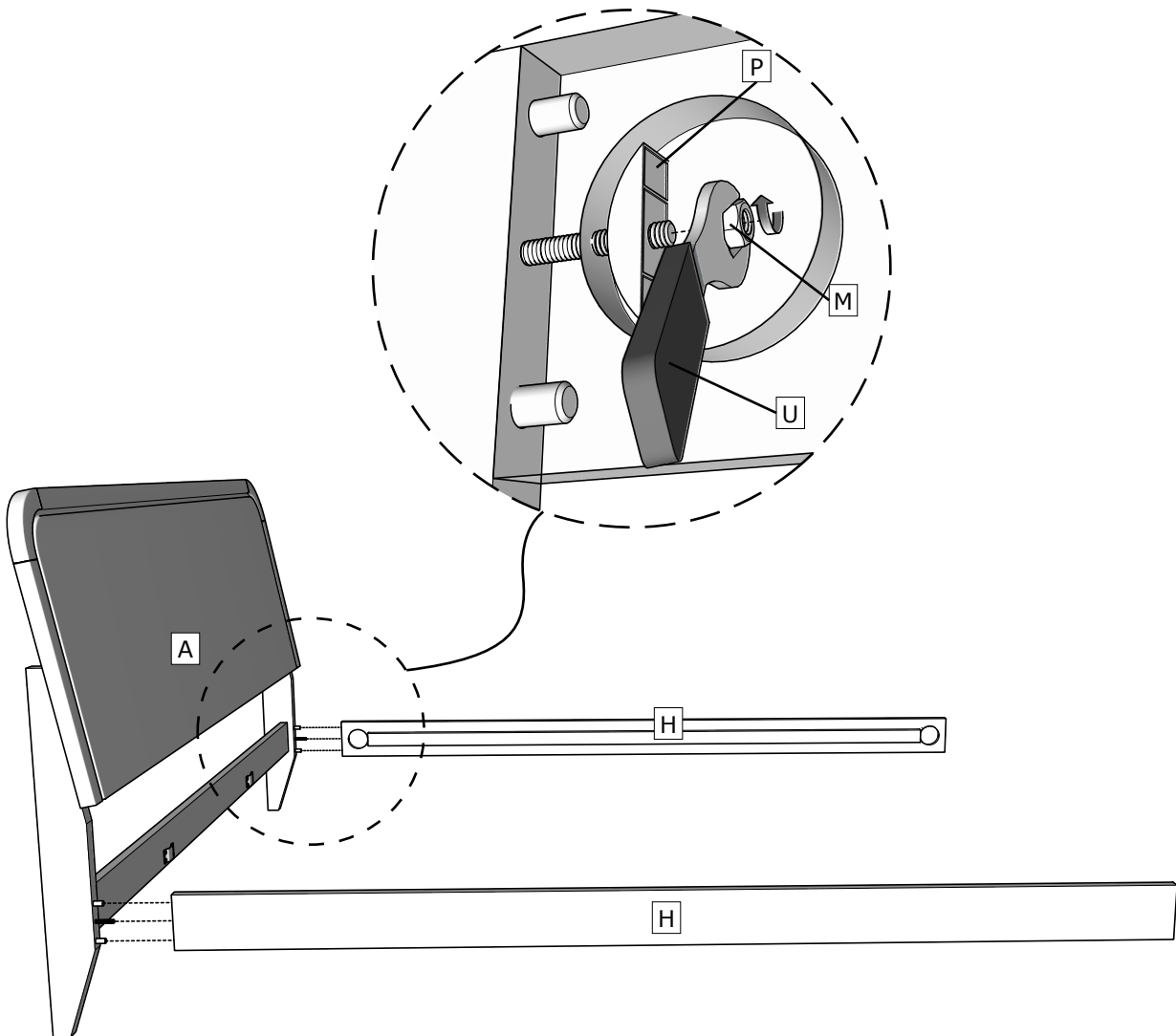
<b>Q</b>	Threaded Rod	<b>R</b>	Dowel
x2		x4	
	M8 x 65mm		M10 x 40mm



- Insert **Q** and **R** into **D** and **E** as shown.

# Bed Assembly Step 7

<b>M</b> x2 Hex Nut M8 	<b>P</b> x2 Half Moon Washer M8 x 30mm 	<b>U</b> x1 Open End Wrench M8 
--	--	---

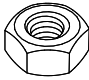
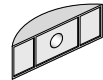
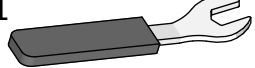


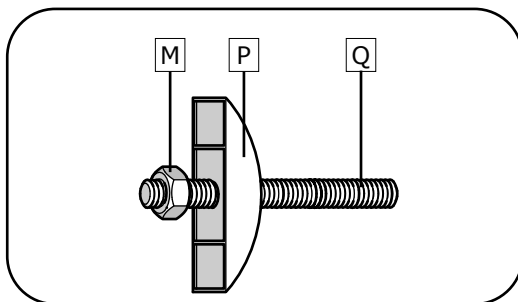
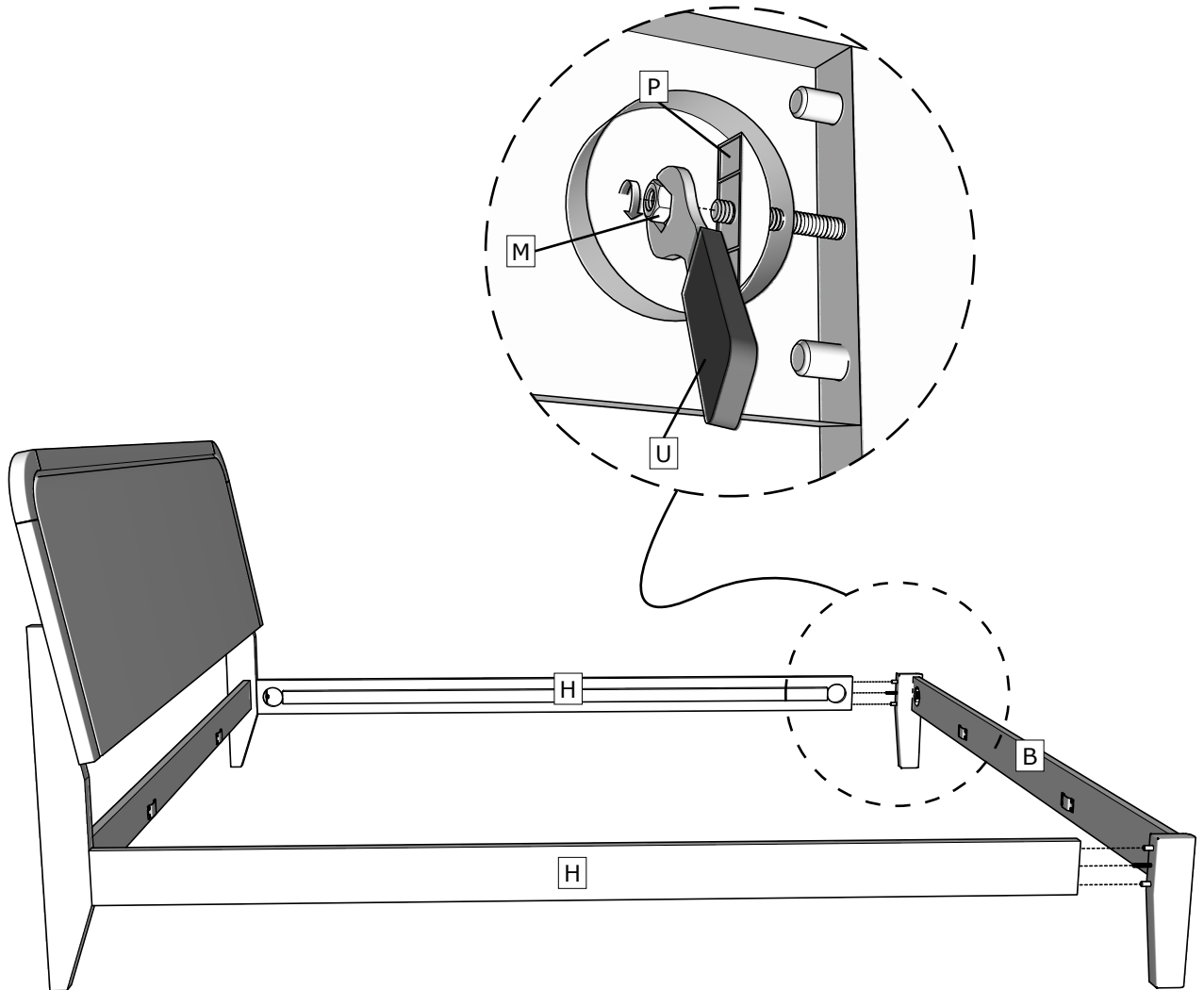
Note:

Make sure to attach all Hex nuts **M** and Half Moon Washers **P** before tightening.

- Attached **H** to Assembled Headboard with **M** and **P** using an Open End Wrench **U**.

# Bed Assembly Step 8

<b>M</b> x2 Hex Nut M8 	<b>P</b> x2 Half Moon Washer M8 x 30mm 	<b>U</b> x1 Open End Wrench M8 
--	--	---

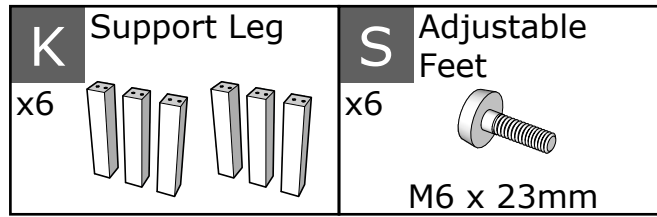


## Note:

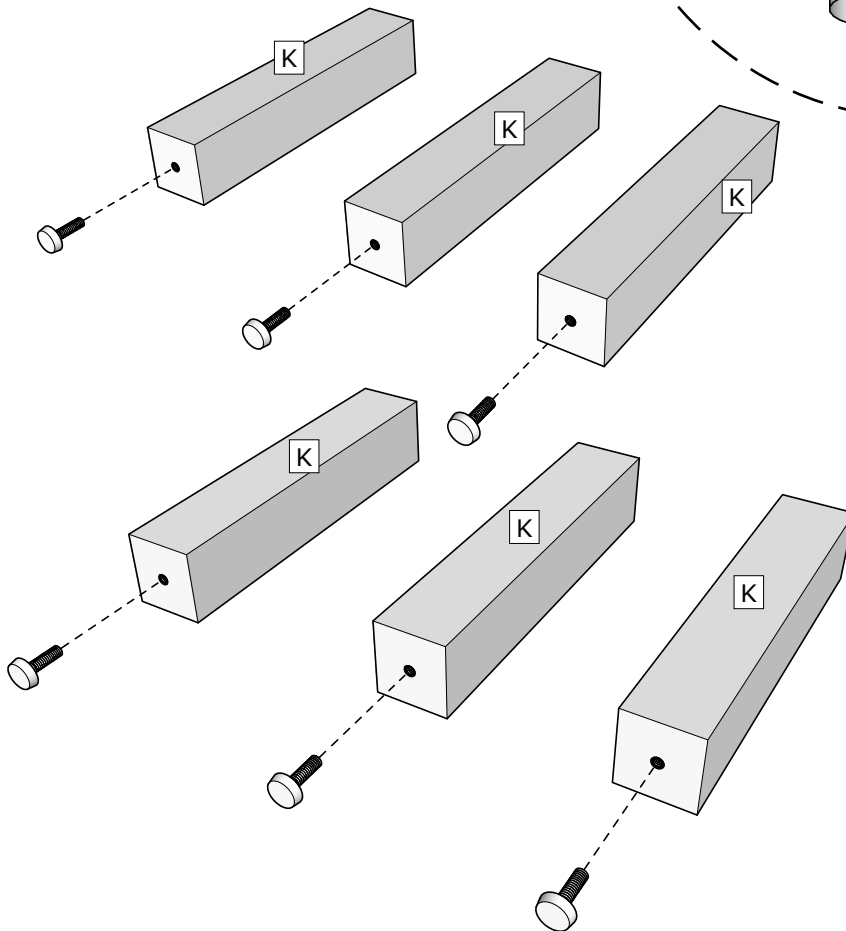
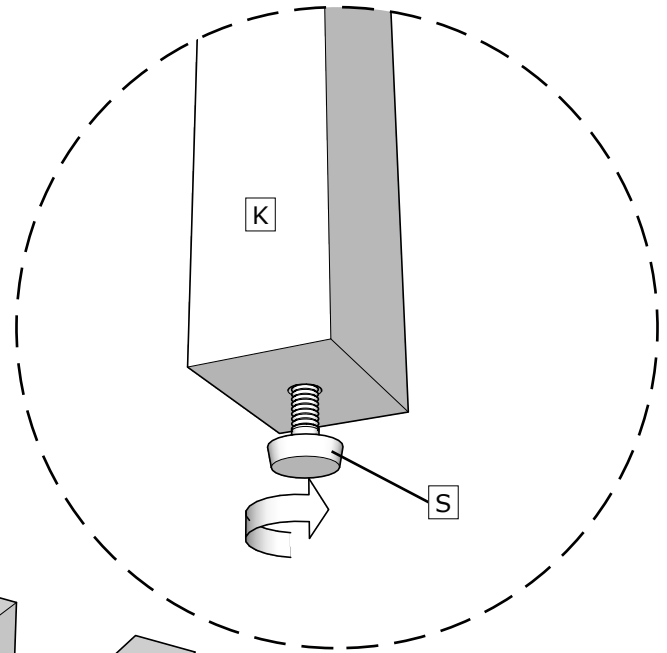
Make sure to attach all Hex nuts **M** and Half Moon Washers **P** before tightening.

- Attached Assembled Footboard to Assembled Bed with **M** and **P** using an Open End Wrench **U**.

# Bed Assembly Step 9

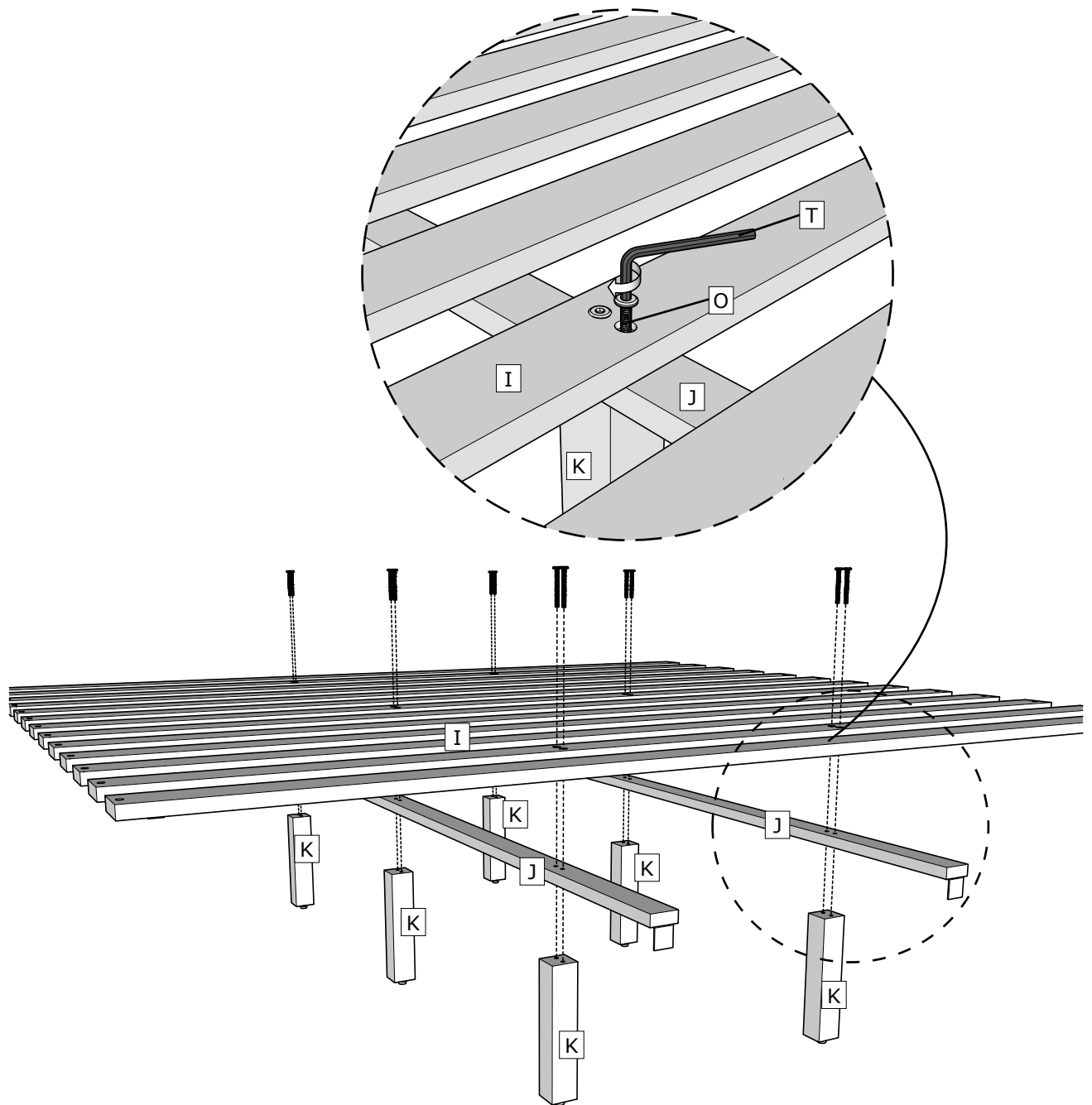
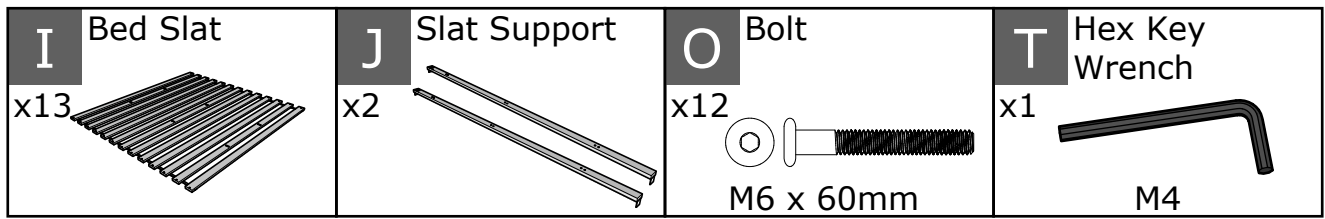


Note:  
See Bed Assembly Step 13 to  
properly adjust part **S**.



- Insert **S** into **K**.

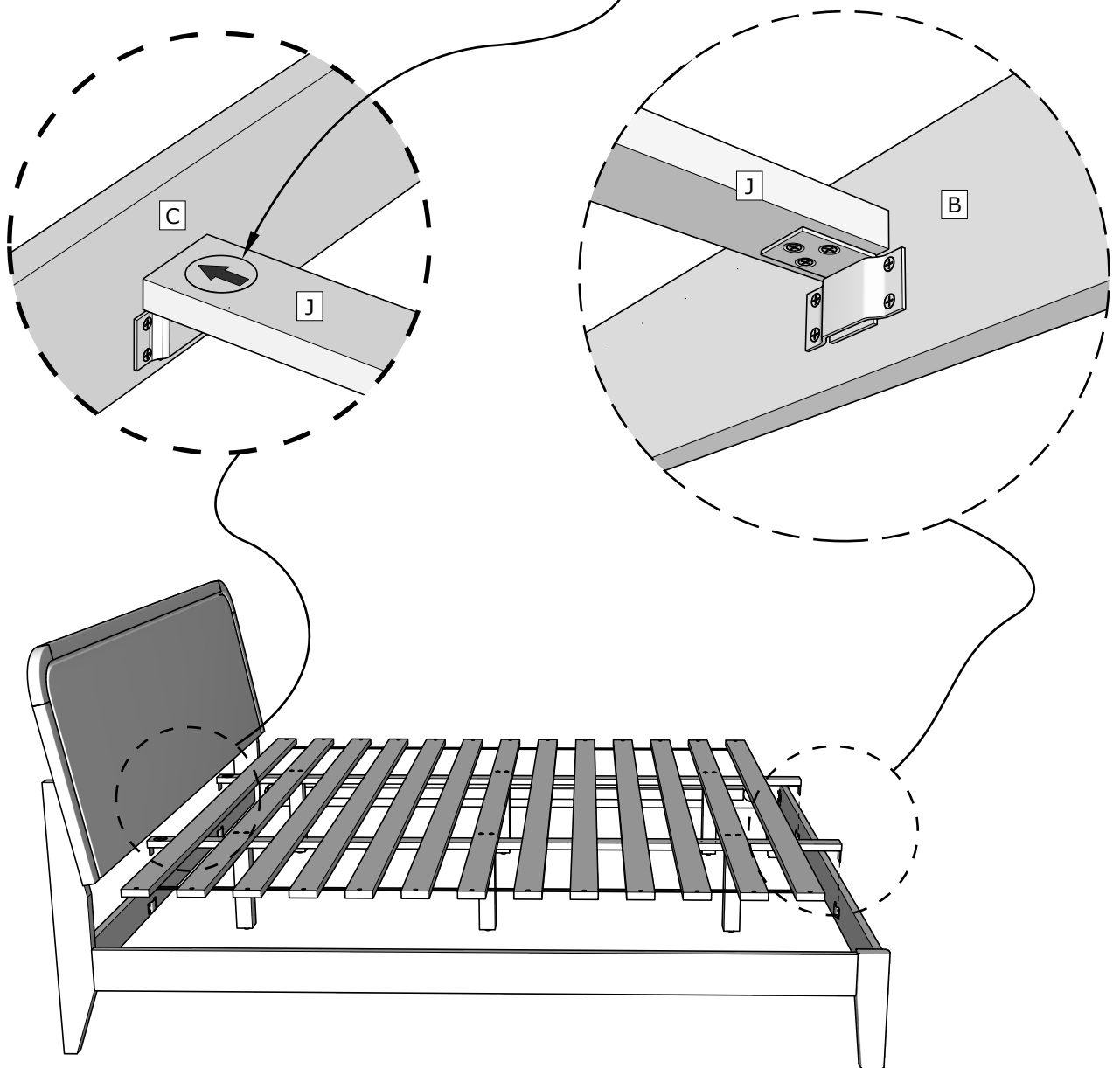
# Bed Assembly Step 10



- Attach **I** and **K** to **J** with **O** using a Hex Key Wrench **T** as shown.



# Bed Assembly Step 11

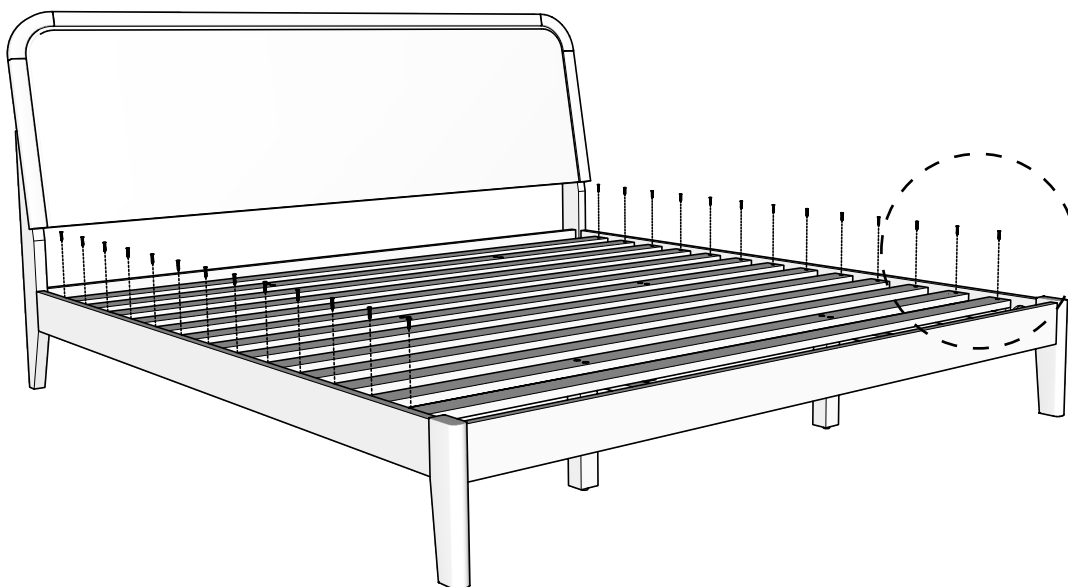
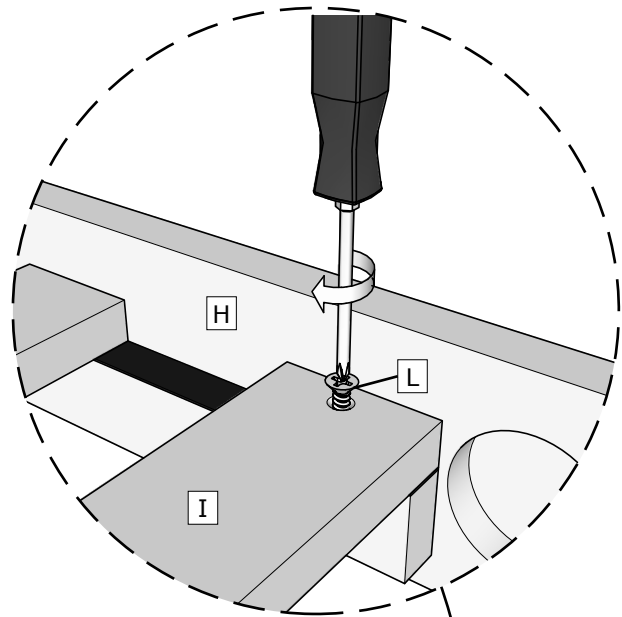
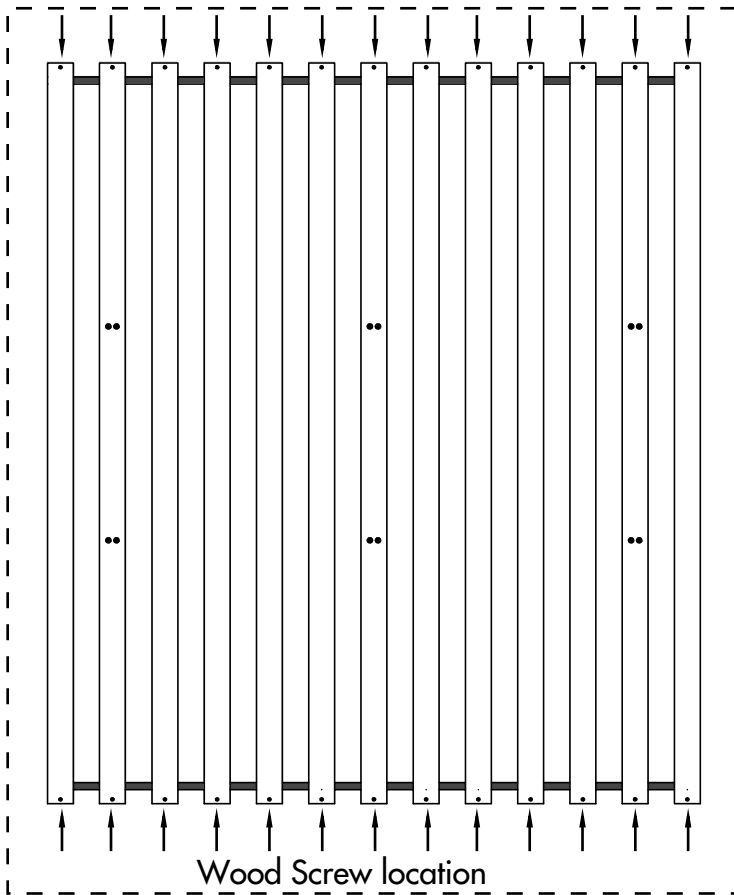
Note: The arrow mark found here indicates that this side should connect to the headboard side.



- Insert the Slat Support of the Assembled Bed Slats into the metal bracket on the Headboard Rail and Footboard.

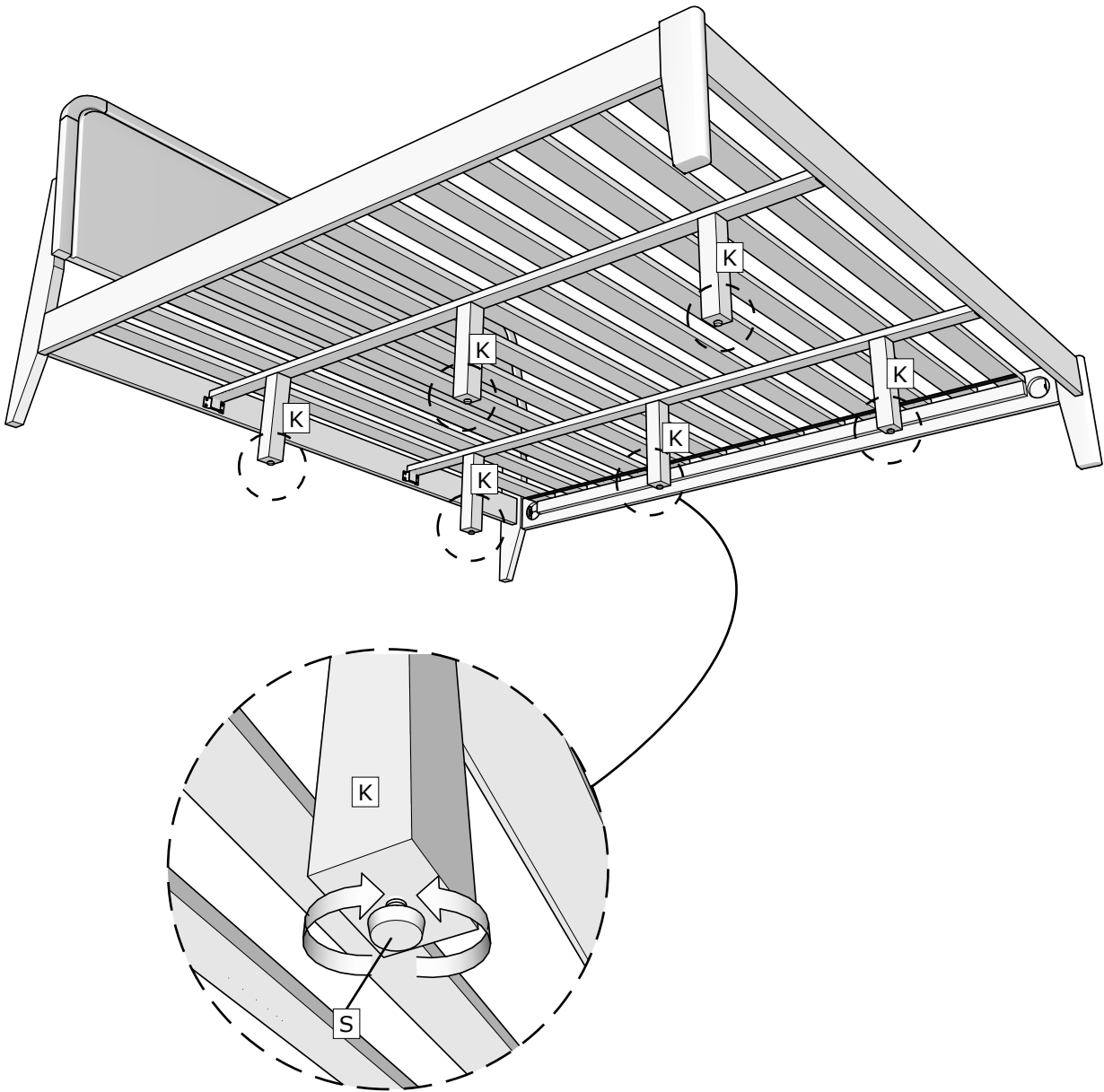
# Bed Assembly Step 12

<b>L</b> Screw x26  M4 x 32mm	Phillips Screwdriver  Not provided
---	--



- Attach Assembled Bed Slat to Assemble Bed Frame with **L** using a Phillips Screwdriver as shown.

# Bed Assembly Step 13



## **WARNING!**

- Ensure the adjustable feet are perpendicular to the floor before using the bed. Rotate them clockwise or counterclockwise until firmly against the floor.

**Note:** *The adjustable feet rotate to fit the floor; one may need clockwise rotation while the other counterclockwise, depending on leveling and assembly.*

- Do not drag or push the bed frame. To ensure safe moving, always use two people to lift and re-position the bed frame. Avoid dragging or pushing it across the floor to prevent damage to the legs, slats, and center support legs.

# FAQS FREQUENTLY ASKED QUESTIONS

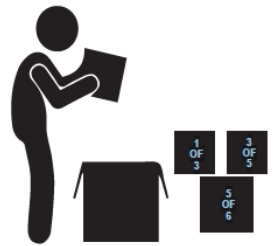
---

WE ARE OPEN MONDAY TO FRIDAY TO ASSIST YOU AND WILL REPLY TO ANY OF YOUR MESSAGES WITHIN 24-48 HOURS. THE AVERAGE RESPONSE TIME IS WITHIN 24 HOURS. IF YOU ENCOUNTER AN ISSUE THAT IS NOT MENTIONED BELOW, PLEASE MESSAGE US IN OUR CONTACT PAGE BY VISITING [WWW.DGCASA.COM](http://WWW.DGCASA.COM)

---

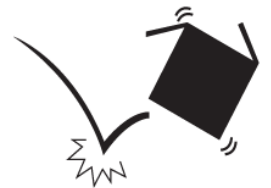
WHERE IS THE REST OF MY ORDER? THE PACKAGE I RECEIVED SAYS CARTON NO. 1 OF 3, CARTON NO. 3 OF 5, OR CARTON NO. 5 OF 6 ETC.

THE MARKETPLACE ONLY ALLOWS 1 TRACKING NUMBER TO BE UPLOADED IN THE SYSTEM. HOWEVER, THE PRODUCT IS SHIPPED IN MULTIPLE PACKAGES. YOU CAN CONFIRM THE NUMBER OF PACKAGES TO RECEIVE BY REFERRING TO THE CARTON NO. PRINTED ON THE PACKAGE THAT WAS DELIVERED TO YOU. FOR EXAMPLE, YOU RECEIVED 1 PACKAGE AND THE PACKAGE SHOWS CARTON NO. 1 OF 3, THEN CARTON NO. 2 OF 3 AND CARTON NO. 3 OF 3 IS IN TRANSIT TO YOU. THE REST OF THE PACKAGES CAN BE DELIVERED WITHIN THE SAME DAY AS THE FIRST PACKAGE OR WITHIN A FEW DAYS. ONCE THE ORDER IS SHIPPED CONFIRMED, OUR TEAM WILL SEND YOU A MESSAGE TO PROVIDE YOU WITH ALL THE TRACKING NUMBER THAT COMPLETES YOUR ORDER. IF YOU DID NOT RECEIVE THIS MESSAGE, PLEASE CHECK YOUR EMAIL'S SPAM FOLDER, OR LOG INTO THE MARKETPLACE ACCOUNT AND SEND US A MESSAGE.



MY ORDER IS DAMAGED, WHAT DO I DO?

CONTACT US ON OUR WEBSITE [WWW.DGCASA.COM](http://WWW.DGCASA.COM) INCLUDE THE ORDER NUMBER AND ATTACH APPLICABLE IMAGES TO EXPEDITE THE CLAIM AND ENSURE OUR TEAM WILL PROVIDE THE APPROPRIATE RESOLUTION



I TRACKED THE PACKAGE AND IT SHOWS MY PACKAGE WAS DELIVERED, BUT I NEVER RECEIVED THE PACKAGE. I DOUBLE CHECKED WITH MY FAMILY MEMBER AND NEIGHBOR; THEY DO NOT HAVE THE PACKAGE. WHAT DO I DO?

CONTACT US ON OUR WEBSITE [WWW.DGCASA.COM](http://WWW.DGCASA.COM) INCLUDE THE ORDER NUMBER AND LET US KNOW WHICH CARTON NUMBER OR TRACKING NUMBER YOU DID NOT RECEIVE, AND A TEAM MEMBER WILL REPLY TO YOUR MESSAGE ACCORDINGLY.



LOVE THE PRODUCT?

LOG INTO THE MARKETPLACE YOU MADE THE ORDER AND SHARE YOUR EXPERIENCE WITH THE PRODUCT AND WHAT YOU LIKE MOST ABOUT IT. ELEVATE THE PRODUCT REVIEW BY INCLUDING IMAGES OF THE PRODUCT TO SHARE WITH EVERYONE.

