

ASSEMBLY INSTRUCTIONS

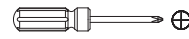
Pantry Cabinet

ASSEMBLY
REQUIREMENTS

2-Person
Assembly

1 Hour
Assembly Time
(Approximate)

Tools Required
(Not Provided)



Phillips Screwdriver



Flat Screwdriver



Hammer

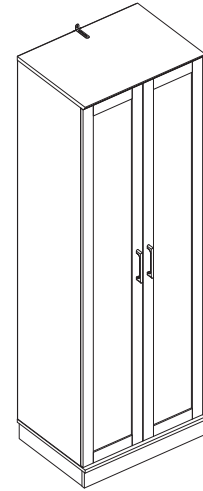
Thank you for purchasing our product!

Please refer and use this assembly instruction to assemble the product. Contact our customer service department in case there are any missing or damage parts or hardware. Replacement parts are normally shipped within 2 or 3 days.

We appreciate your business!

PRODUCTS PURCHASED THROUGH OUR AUTHORIZED VENDORS ONLY ARE ELIGIBLE FOR REPLACEMENT PARTS.

THIS PRODUCT IS FOR INDOOR AND HOUSEHOLD USE ONLY-NOT FOR COMMERCIAL USE.



ASSEMBLY PREPARATION

1. Remove all packaging materials, staples and packing straps from the carton.
2. Refer to Parts List and Hardware List, and ensure parts and hardware are correct before assembly. Contact customer service for missing parts.
3. Place all wooden parts on a clean, flat and soft surface (e.g. carpet or rug) to prevent scratch and damage to parts.

SAFETY PRECAUTION

1. KEEP ALL HARDWARE PARTS OUT OF REACH OF CHILDREN.
2. DISPOSE PLASTIC PACKAGING MATERIAL IMMEDIATELY TO AVOID ANY RISK OF SUFFOCATION TO CHILDREN AND ANIMALS.

TIPS FOR ASSEMBLY

1. Allow ample room for assembly and assemble the unit close to where product will be placed.
2. Assemble the product on a surface that does not scratch or damage the exterior gloss and finish of the furniture.
3. Identify all of the parts, hardware and quantities required for each step.
4. During assembly, do not over-tighten any fittings as this may cause damage.
5. DO NOT USE POWER TOOLS TO ASSEMBLE THIS PRODUCT.
6. Always place the product on a flat, level surface.
7. Do not sit or stand on the partially assembled product; only use the product for which it is intended.

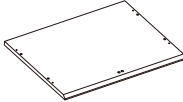
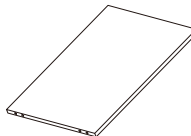
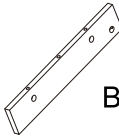
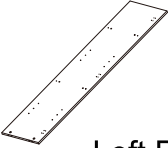
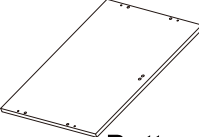
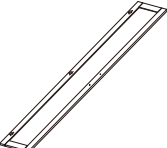
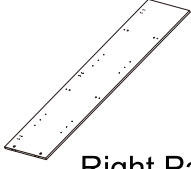

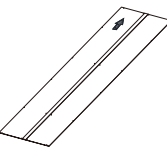
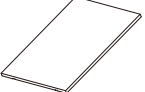
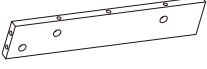
CARE AND MAINTENANCE

- Use a slightly damp cloth to clean the product. Do not use bleach or abrasive cleaning material.
- Check all the fittings periodically and re-tighten as necessary. Do not use the product if any of the parts is damaged or broken.
- Never allow any kind of liquid to remain on your furniture. Absorption can cause wood to warp or delaminate.
- Do not place hot items (e.g. hot drinks) directly onto the wood surface.
- Do not drag and/or pull the furniture.

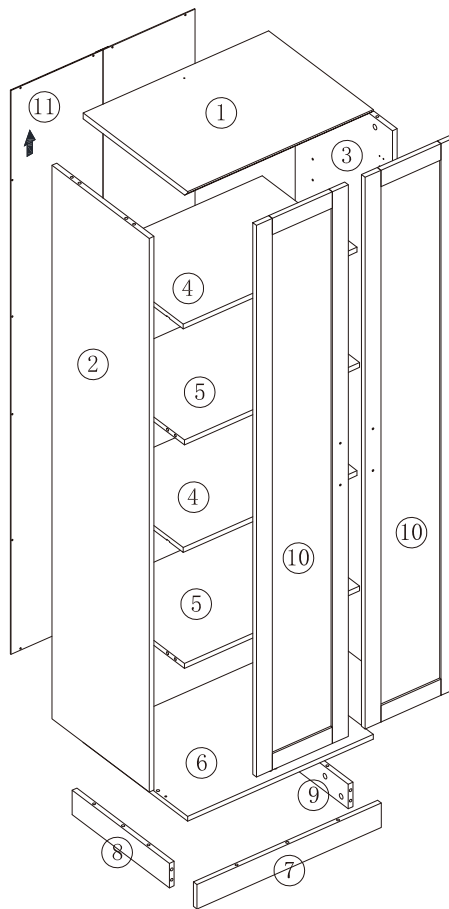
ASSEMBLY INSTRUCTIONS

Pantry Cabinet

Parts List



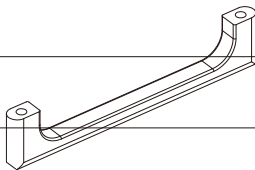
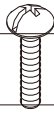

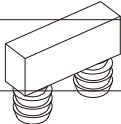

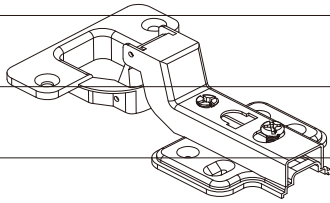


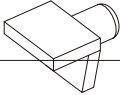

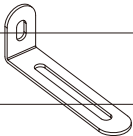

1	 Top Panel	1PC	5	 Shelf	2PCS	9	 Base Right Panel	1PC
2	 Left Panel	1PC	6	 Bottom Panel	1PC	10	 Door	2PCS
3	 Right Panel	1PC	7	 Base Front Panel	1PC	11	 Back Panel	1PC
4	 Adjustable Shelf	2PCS	8	 Base Left Panel	1PC			

Parts Assembly Overview



ASSEMBLY INSTRUCTIONS

Pantry Cabinet

				3cm 2cm 1cm 0cm
20X Dia.15mm A Cam-lock	20X M 6mm B Cam-bolt	2X C Handle	4X D Handle Bolt	
				4cm 3cm 2cm 1cm 0cm
21X Dia.8X30mm E Wooden Dowel	2X F Door stopper	36X M3.5x14mm G Screw	6X H Hinges	
				3cm 2cm 1cm 0cm
20X I Nail	5X M4x35mm J Screw	8X K Shelf Pin	1X M 4 X12mm L Screw	
				3cm 2cm 1cm 0cm
1X M Bracket	1X N Wall Anchor			

INSTRUCTIONS FOR CAM-BOLT & CAM-LOCK

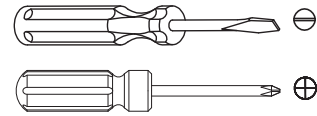


CAM-BOLT



CAM-LOCK

Tools Required



INSERTING AND TIGHTENING CAM-BOLT

SHOULDER

PANEL

PANEL

PANEL

Place Cam-bolt on pre-drilled hole and screw in vertically

Shoulder is flushed (on the same level) with the panel.

Shoulder is above the panel.

Place Cam-bolt on the designated pre-drilled hole on the panel. Use a Phillips Screwdriver to screw-in Cam-bolt vertically until shoulder is flushed (on the same level) with panel.

INSERTING CAM-LOCK

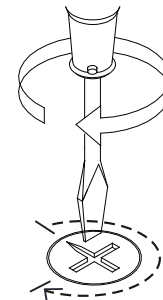
Insert Cam-lock with arrow align to Cam-bolt head

CORRECT

WRONG

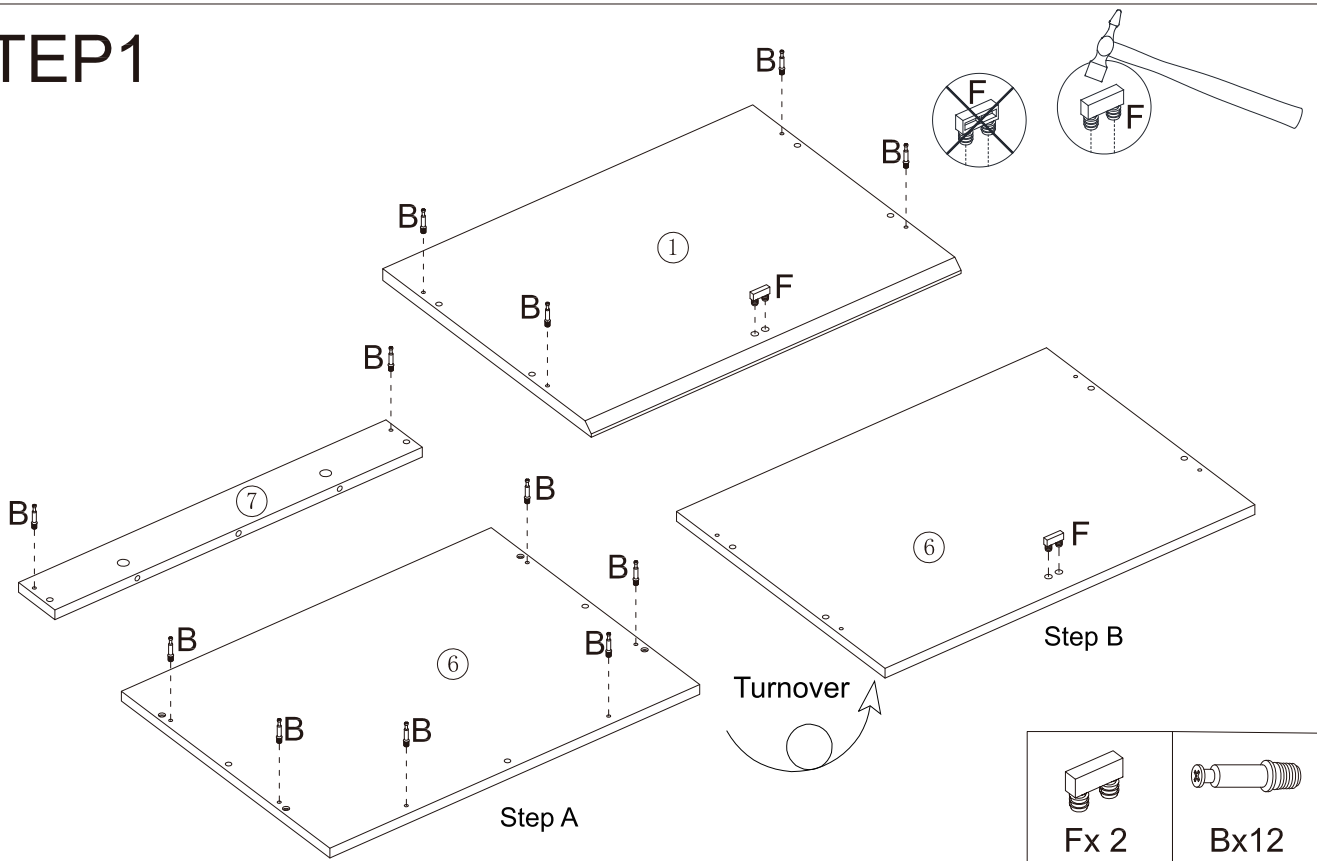
Align the arrow on the Cam-lock to the Cam-bolt head and insert the Cam-lock. Ensure Cam-lock is fully inserted.

TIGHTENING CAM-LOCK



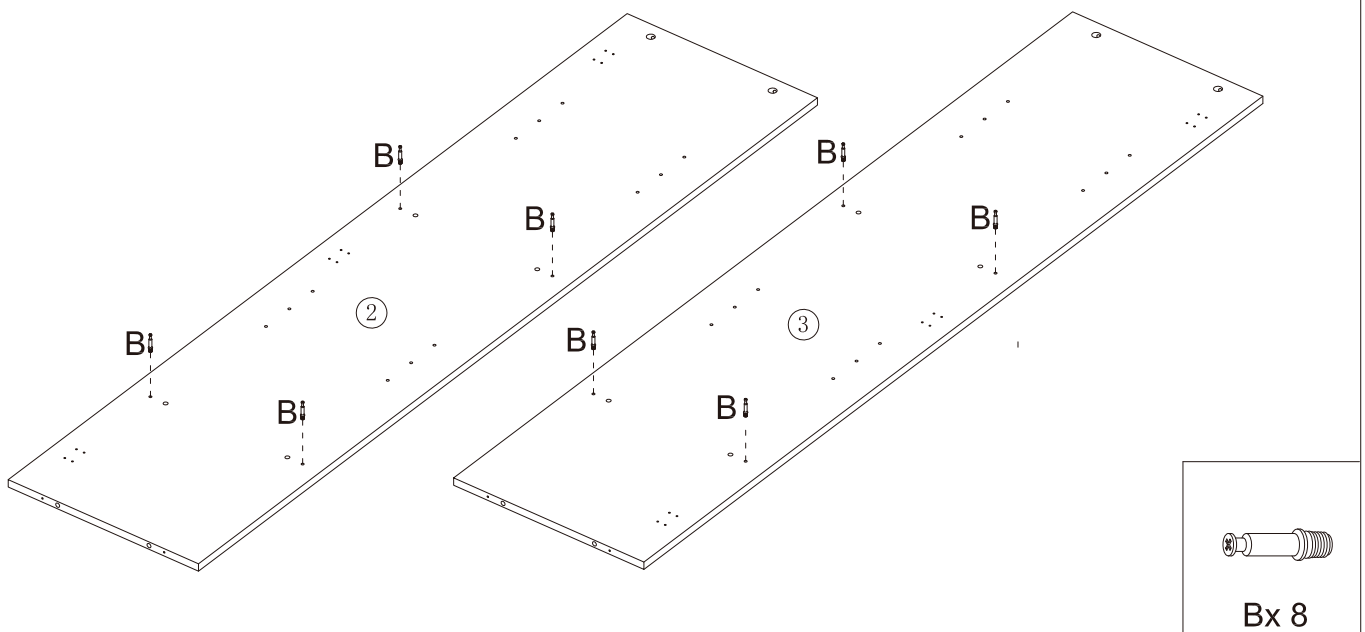
Use a Flat-head Screwdriver to turn Cam-lock clockwise so it locks onto the head of the Cam-bolt. Turn until it is snug (about 3/4ths of a turn) -- over-tightening could damage Cam-lock or/and Cam-bolt.

STEP1



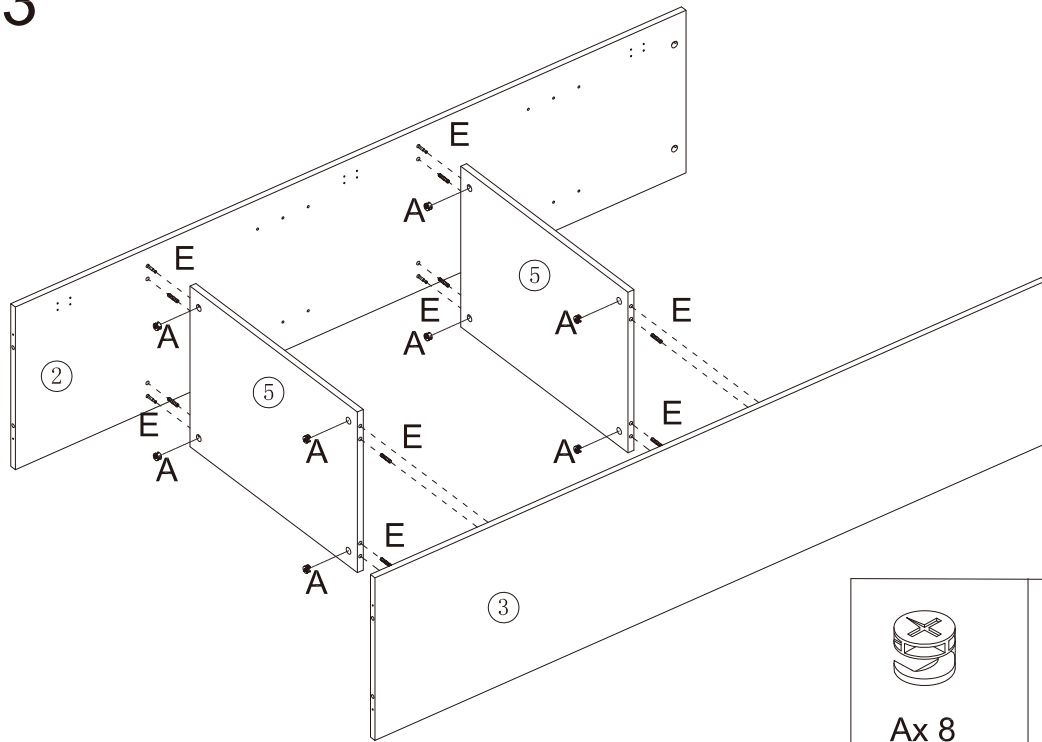
- A. Lay the parts on a material that does not scratch the parts and screw Cam-bolt (B) into the designated holes on Top Panel, Bottom Panel and Base Front Panel (1, 6 & 7).
 Refer to Page 4 for instructions on inserting and tightening cam-bolt
- B. Turn Bottom Panel (6) over and fit Door Stopper (F) and also fit (F) to (1).

STEP2



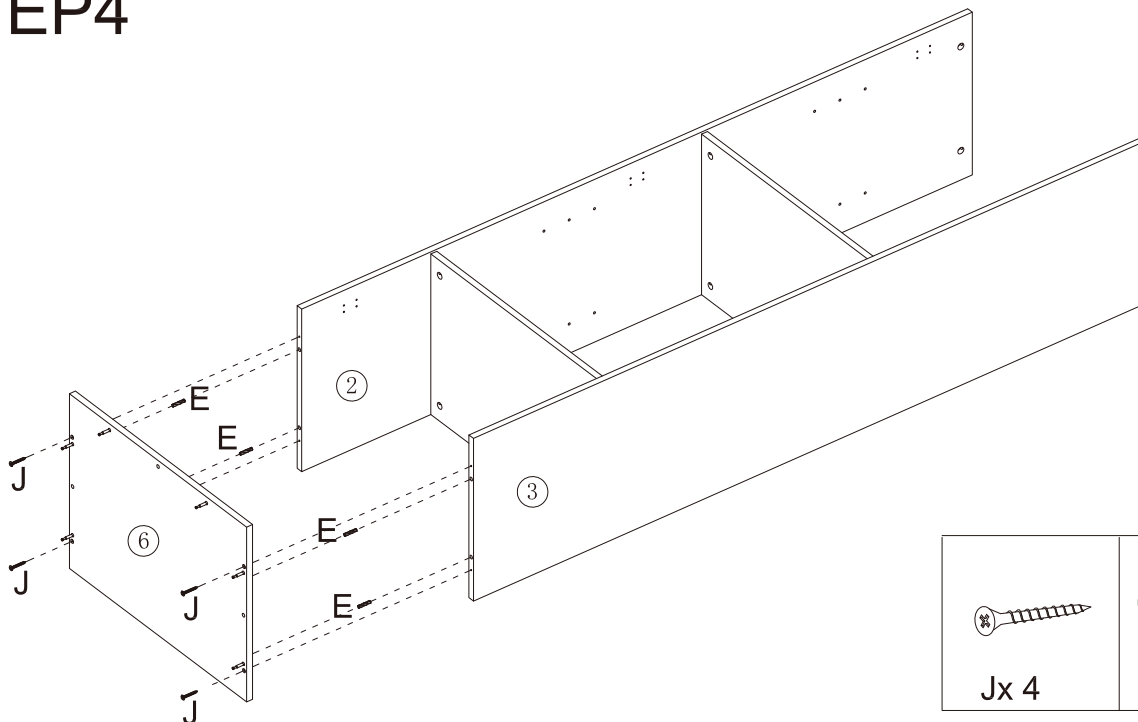
- A. Lay the parts on a material that does not scratch the part and screw Cam-bolt (B) into the designated holes on Left and Right Panel (2 & 3).

STEP3



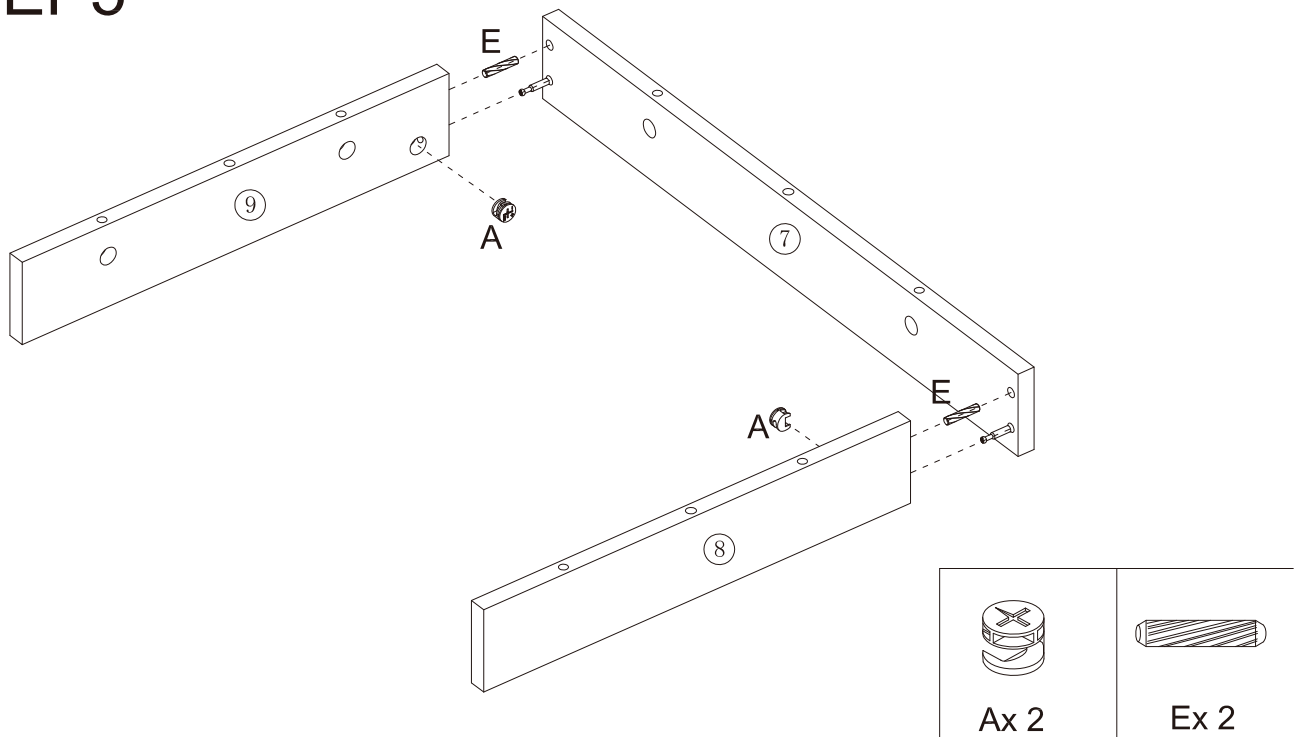
- A. Lay the parts as shown and on the Left Panel (2) insert Wood Dowel (E) into the inner hole beside the cam-bolt.
- B. Attach Shelf (5) to (2) via the cam-bolt and wood dowel.
- C. Insert Cam-lock (A) into designated holes on (5) then turn clockwise to lock onto cam-bolt. Refer to Page 4 for instructions on inserting and tightening cam-lock.
- D. Use the above procedures to install to Right Panel (3) to (5).

STEP4



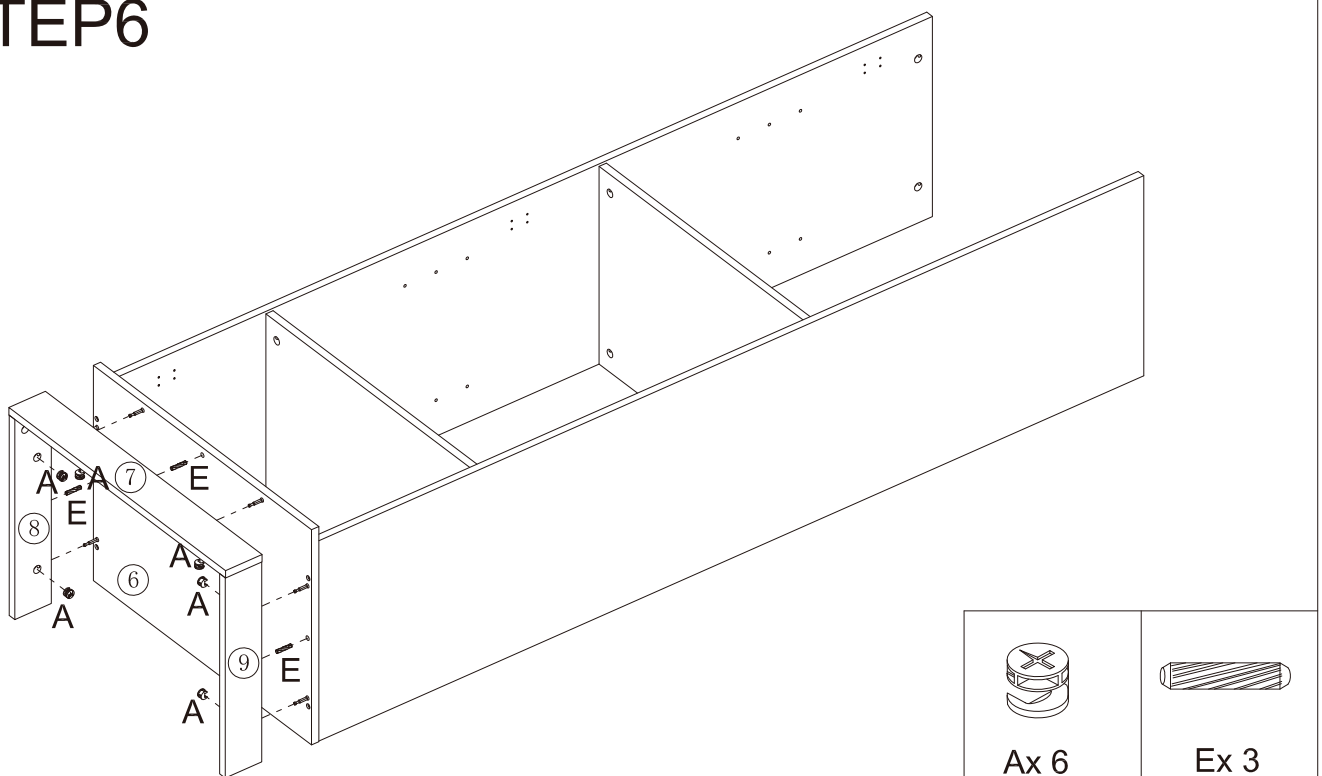
- A. Insert Wood Dowel (E) into the inner 2 holes on the bottom edge of Left and Right Panel (2 & 3) and attach Bottom Panel (6) from STEP 1 as shown.
- B. Use Screw (J) to fasten (6) to (2 & 3).

STEP5



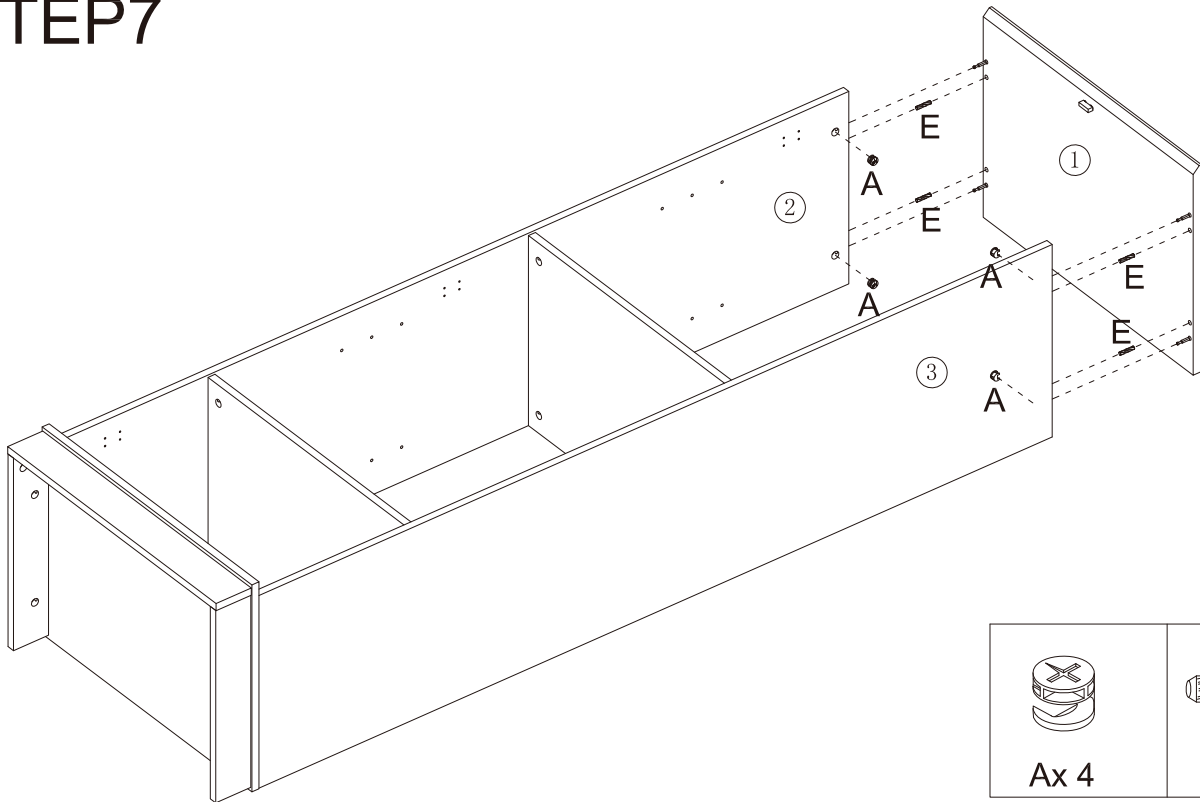
- A. On the Base Front Panel (7) from STEP 1, insert Wood Dowel (E) into the designated hole beside the cam-bolt and attach Base Left Panel and Base Right Panel (8 & 9).
B. Insert Cam-lock (A) into designated holes on (8 & 9) then turn clockwise to lock onto cam-bolt.

STEP6



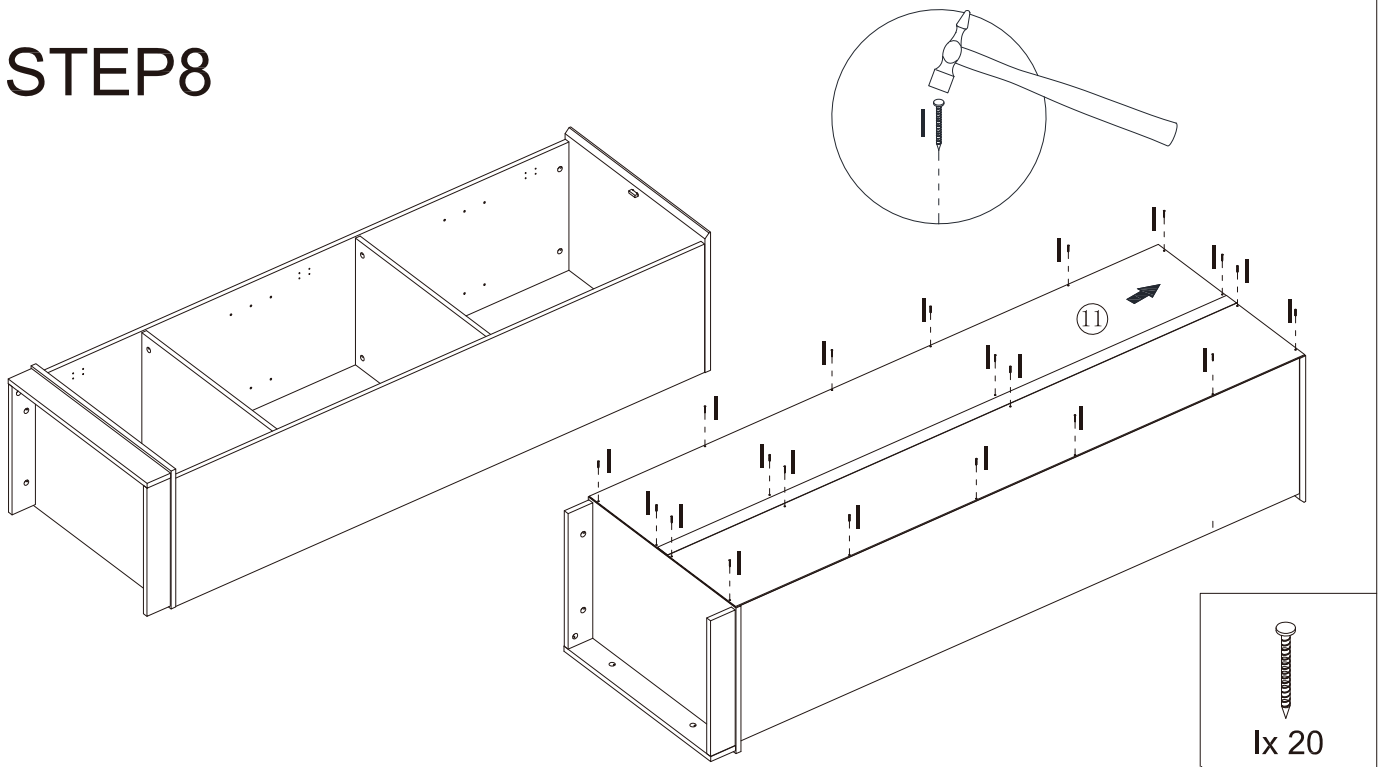
- A. Insert Wood Dowel (E) into the middle hole on Bottom Panel (6) as shown and attach the Bottom Base assembly from STEP 5.
B. Insert Cam-lock (A) into designated holes on (7, 8 & 9) then turn clockwise to lock onto cam-bolt.

STEP 7



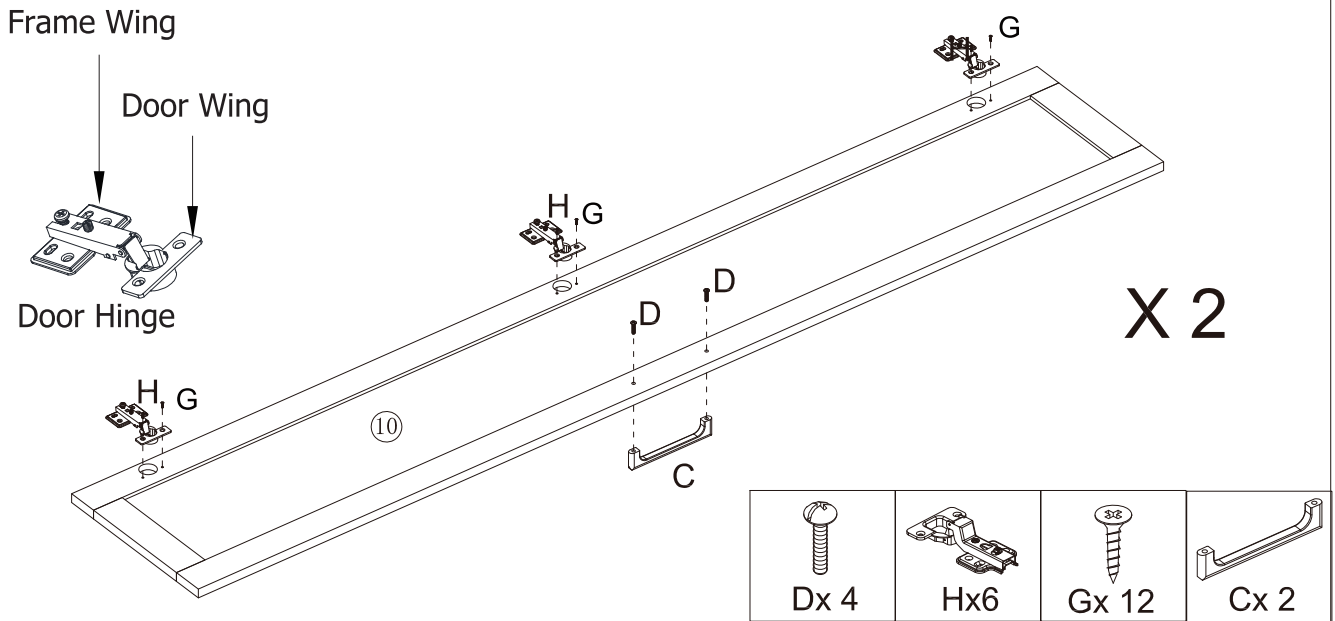
- A. Insert Wood Dowel (E) into the inner 2 holes on the top edge of Left and Right Panel (2 & 3) and attach Top Panel (1) from STEP 1 as shown.
- B. Insert Cam-lock (A) into designated holes on (2 & 3) then turn clockwise to lock onto cam-bolt.

STEP 8



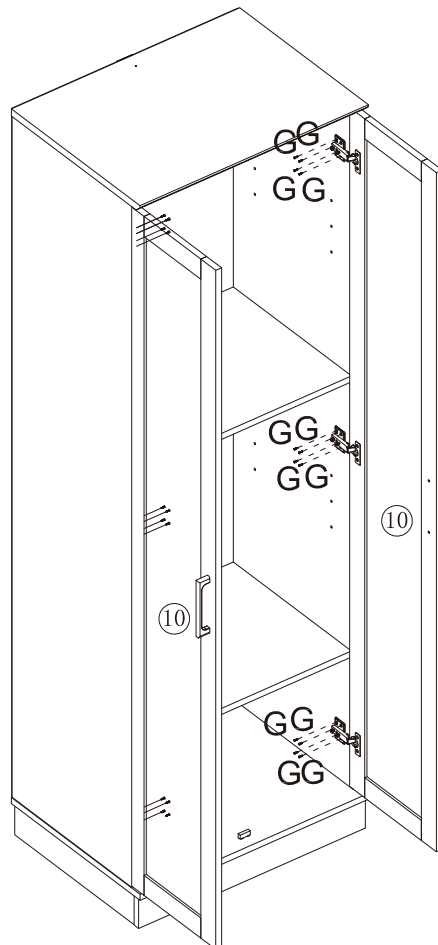
- A. With assistance, lay the assembly from STEP 7 as shown on a material that does not scratch the product.
- B. Fit Back Panel (11) to the side, top and bottom panel and fasten with Nail (I).

STEP9

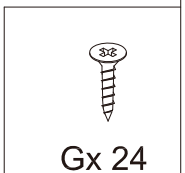


- A. Place the interior of Door (10) facing up as shown on a material that does not scratch or damage the front surface.
- B. Place Hinge (H) to fit the cup on the Door Wing into the hinge well on (10) and use Screw (G) to fasten Door Wing.

STEP10

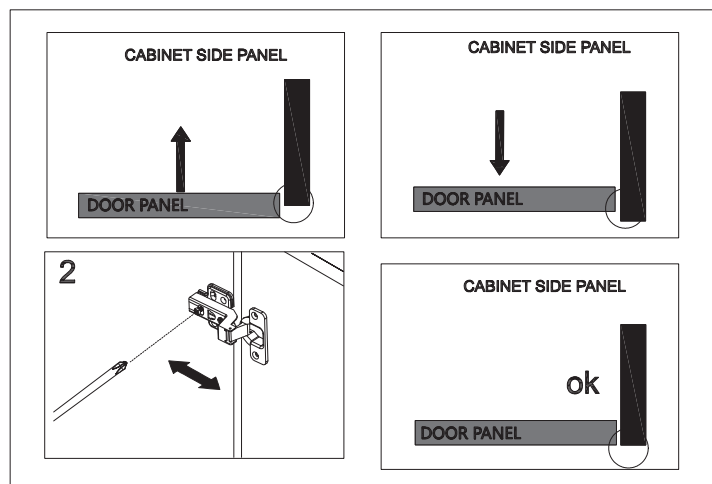
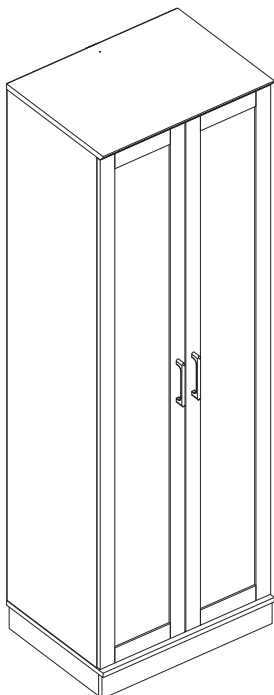
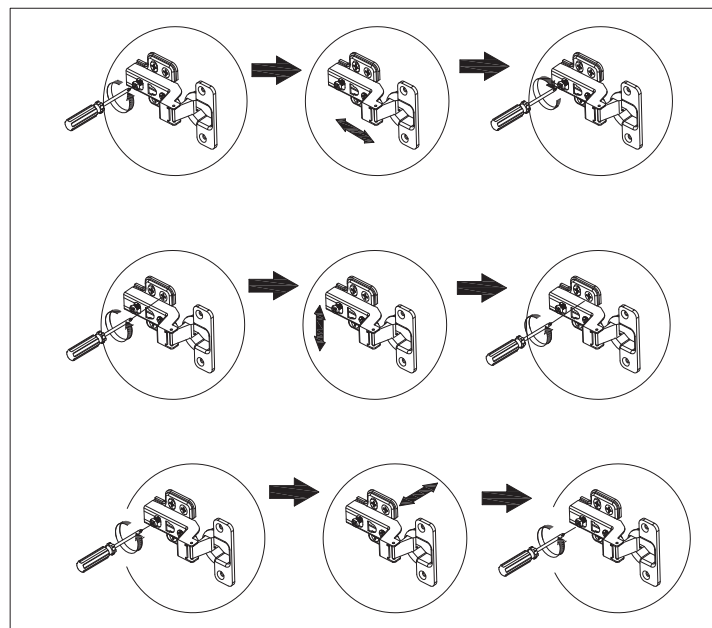
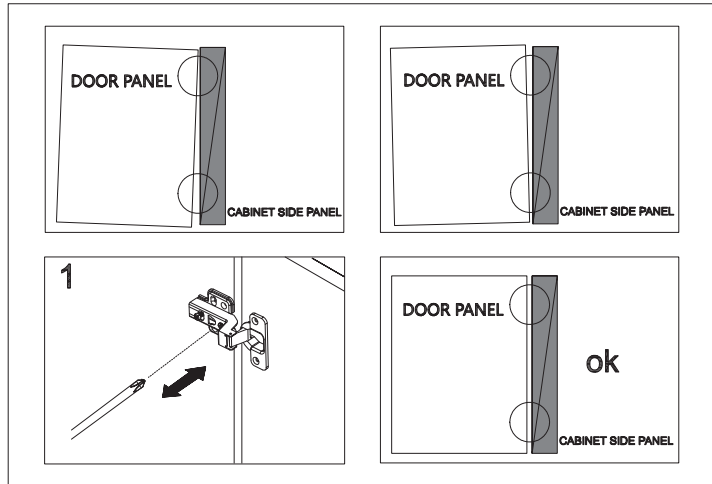
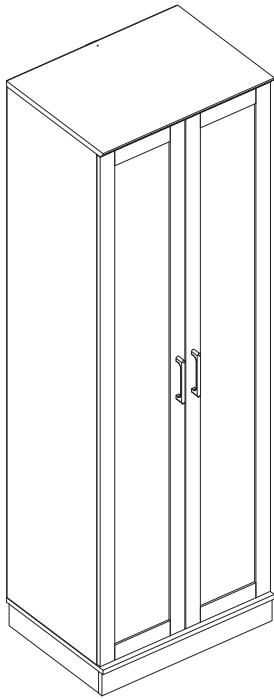


- A. With assistance, position Door (10) as shown.
- B. Align the screw holes on the frame wing of the hinge to the pilot holes on Side Panel and fasten with Screw (G).

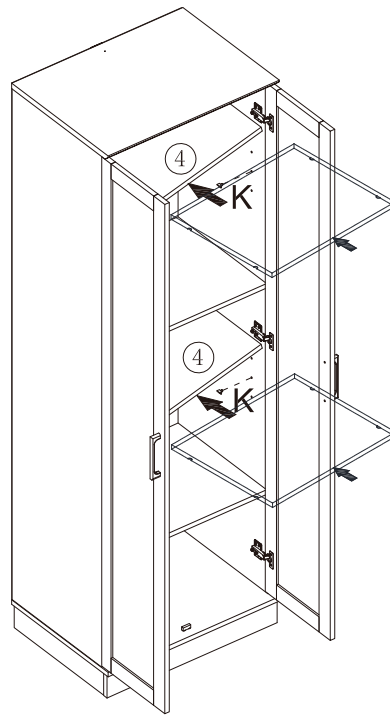


STEP 11

INSTRUCTIONS FOR DOOR ADJUSTMENTS



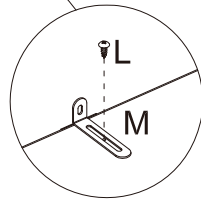
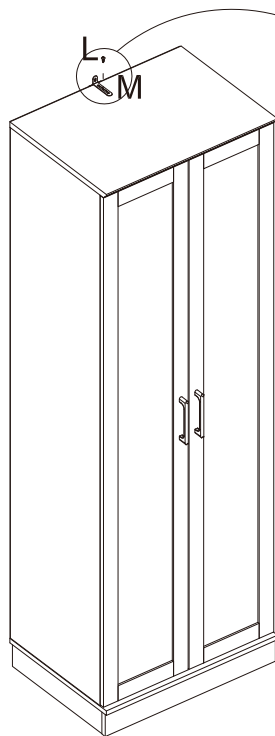
STEP12



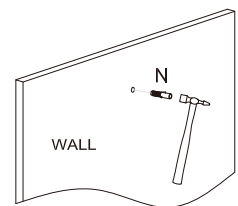
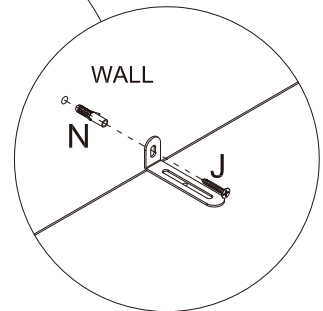
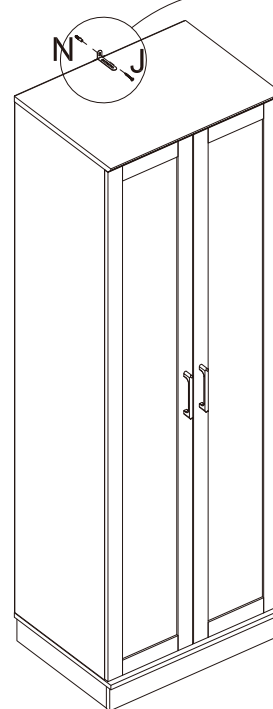
- A. Insert Shelf Clip (K) into the designated holes on the same level at the desired height on the side panels .
- B. Place Shelf (4) by tilting it to fit between the side panels and then level it to sit on (K).



STEP13







WALL



- A. Use Screw (L) to fasten (M) to Top Panel.
- B. Select the location to place the cabinet.
- C. Drill a hole in the dry wall as per the length and diameter of Plastic Anchor (N) and the hole has to be at the same level as the screw hole on Bracket (M) on the Top Panel.
- D. Press Plastic wall anchor (N) into the drilled hole. Ensure that the anchor fits securely in the wall.
- E. Drive Screw (J) through the screw hole on (M) into the screw hole on (N) to secure the Cabinet to the wall.

The assembly of the pantry cabinet is complete.

			
Jx 1	Lx1	Nx 1	Mx 1