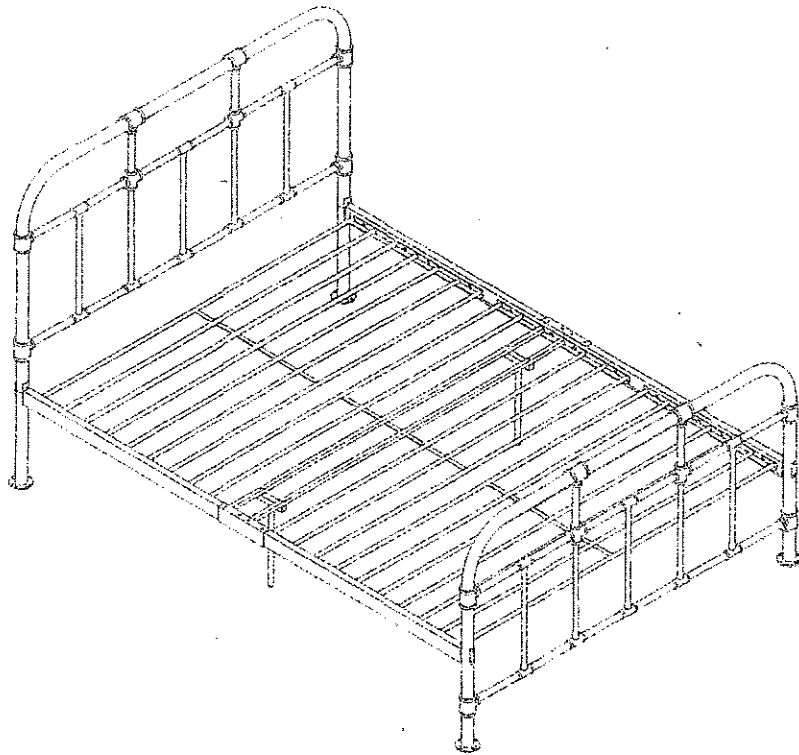


# ASSEMBLY INSTRUCTIONS



**Do not tighten screws until completely assembled.**

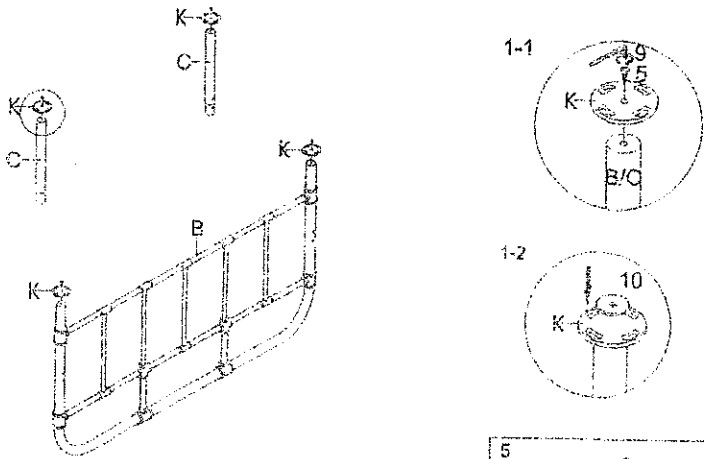
# PARTS IDENTIFICATION

A		1pc	E		2
B		1pc	F		2
C		2pcs	G		2
D		2pcs	H		2
			I		1
			J		2
			K		4

# HARDWARE LIST

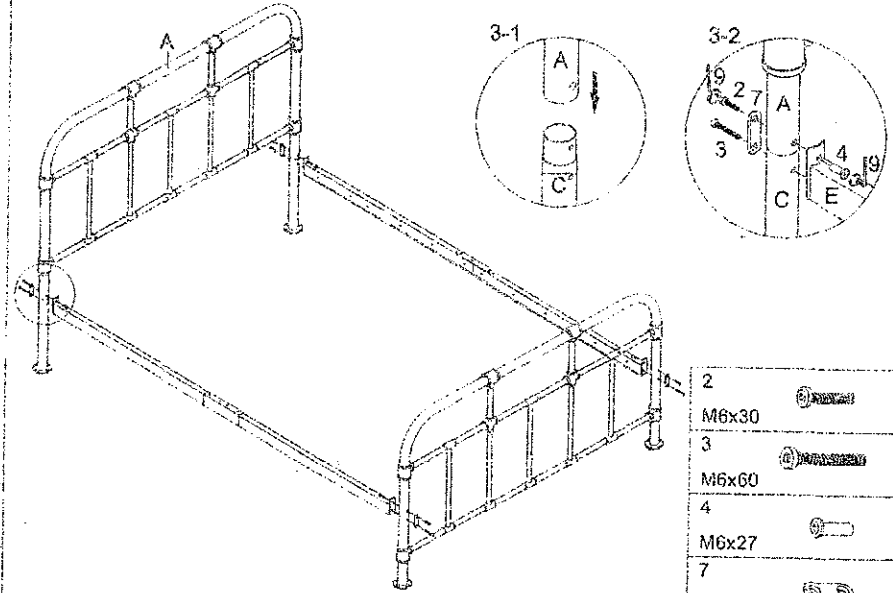
1		M6x15	20pcs	2		M6x30	8pcs	3		M6x60	1
4		M6x27	4pcs	5		M6x25	4pcs	6		M8x15	1
7			4pcs	8		5x5	1pc	9		4x4	1
10		Ø40x1.5	4pcs								

### STEP 1.



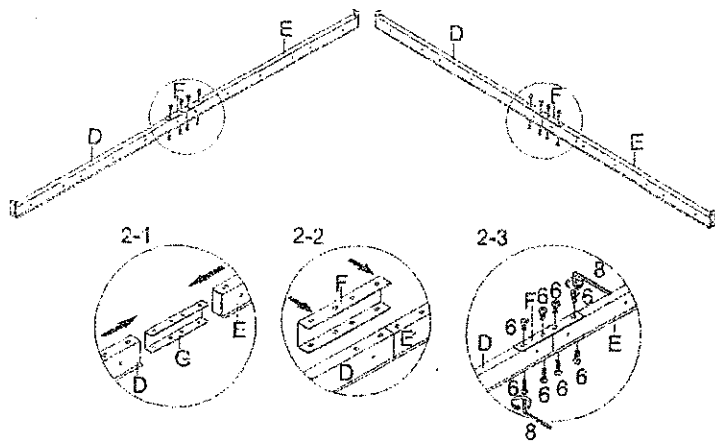
5		
M6x25		4pcs
10		
Ø40x1.5		4pcs

### STEP 3.



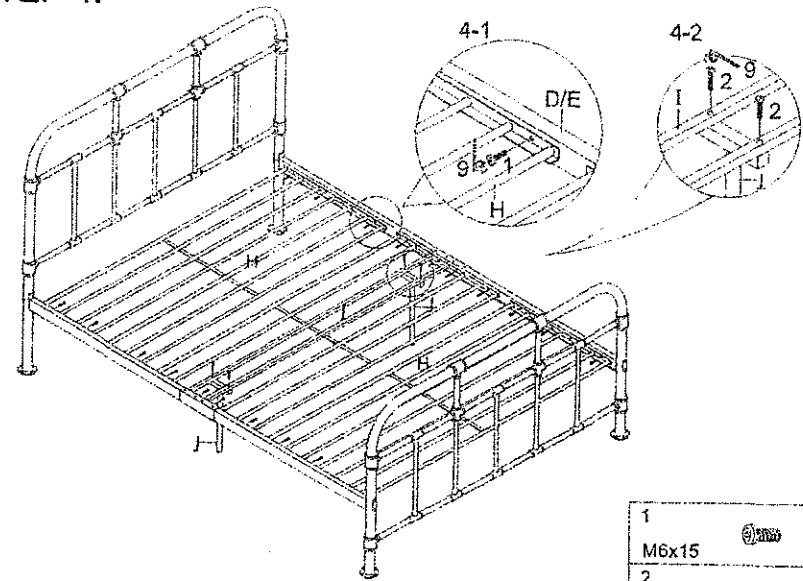
2		
M6x30		4pcs
3		
M6x60		4pcs
4		
M6x27		4pcs
7		4pcs

### STEP 2.



6		
M8x15		16pcs

### STEP 4.



1		
M6x15		20pcs
2		
M6x30		4pcs