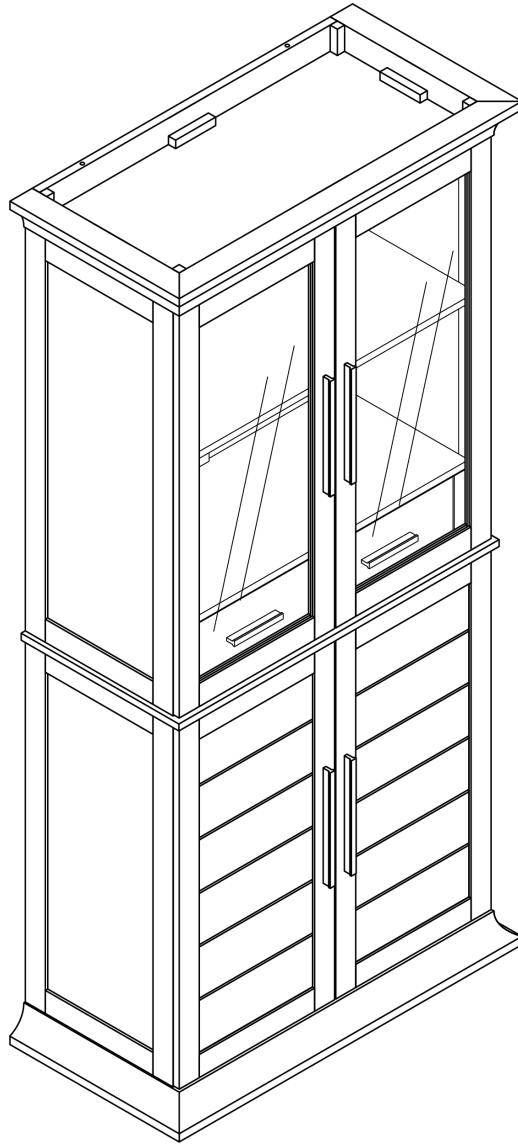


Fairfield Kitchen Pantry



BELLEZE[®]

FOLLOW US:

CONTACT INFO:

ITEM NO. 014-HG-43510



@bellezefurniture

support@belleze.com
1-800-682-6376

The instruction booklet contains **IMPORTANT** safety information. Please read it in full and keep it for future reference.

www.belleze.com

Scan this QR Code
to view our online tutorial

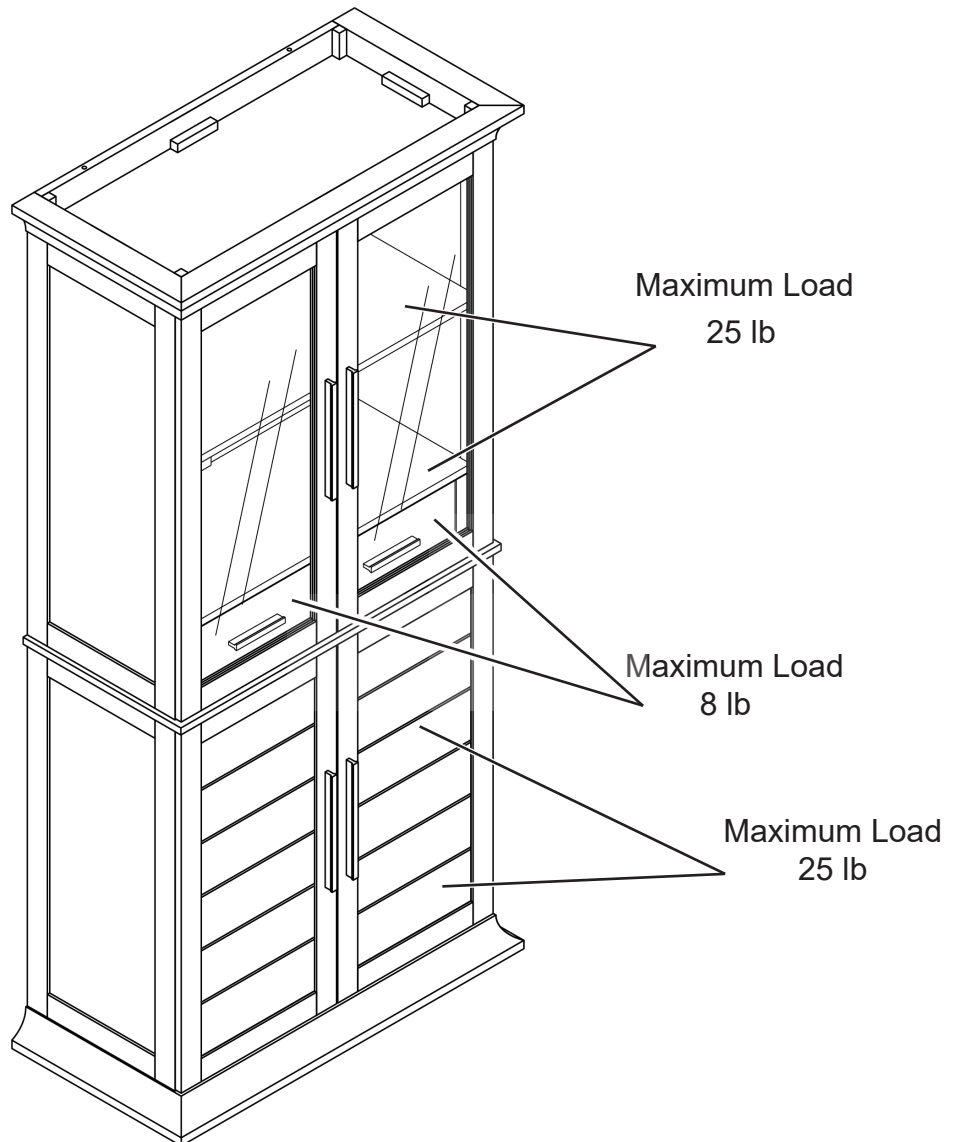


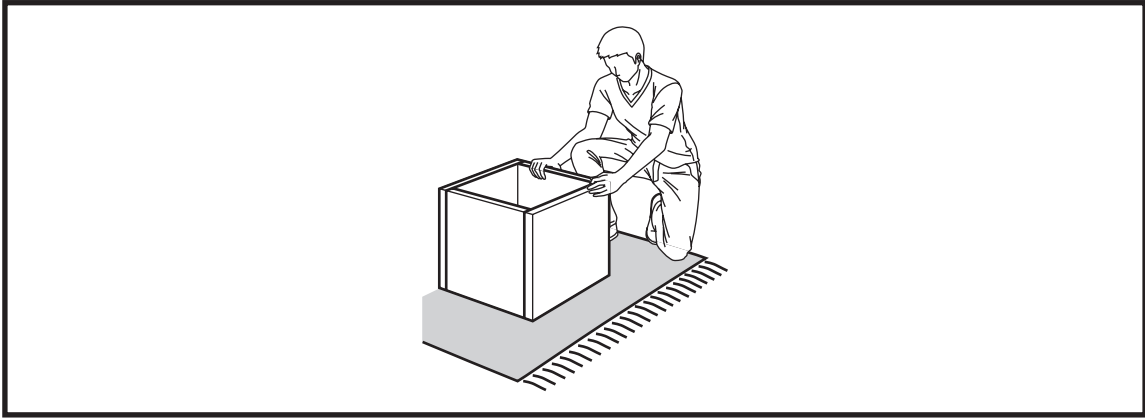
Estimated time for assembly:

120 mins



Weight limitations are as follows:

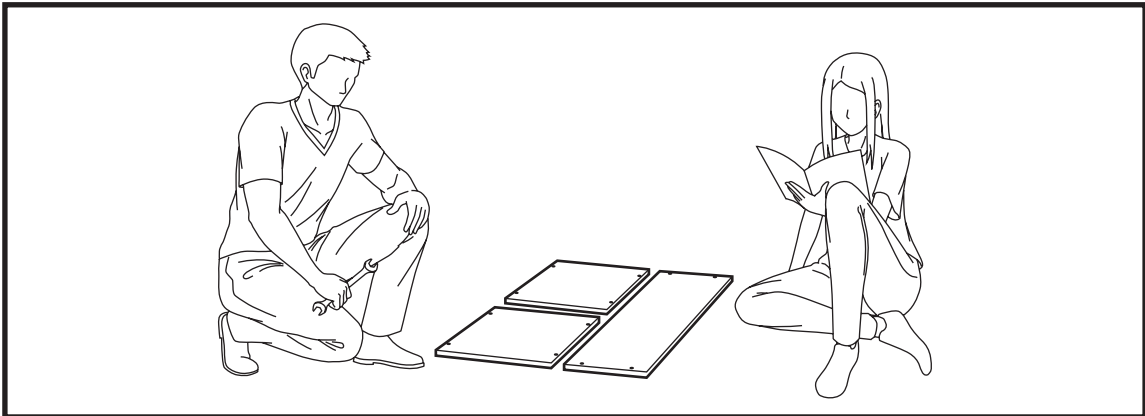




Assemble the furniture on an empty carton, carpet, or rug to prevent scratches or damage.

For safety, please keep pets and children away from the assembly area.

Ensure the product is fully assembled before use. If you are missing any hardware or products, do not use it until you have restored the missing parts.



This furniture requires 2 people for assembly.

Read this instruction manual prior to assembly to familiarize yourself with the various steps.

Lay out all components and hardware separately on a flat surface and make sure that no parts are missing or damaged before assembly. Do not destroy or discard any packaging until you are certain that you have all the necessary parts for assembly.

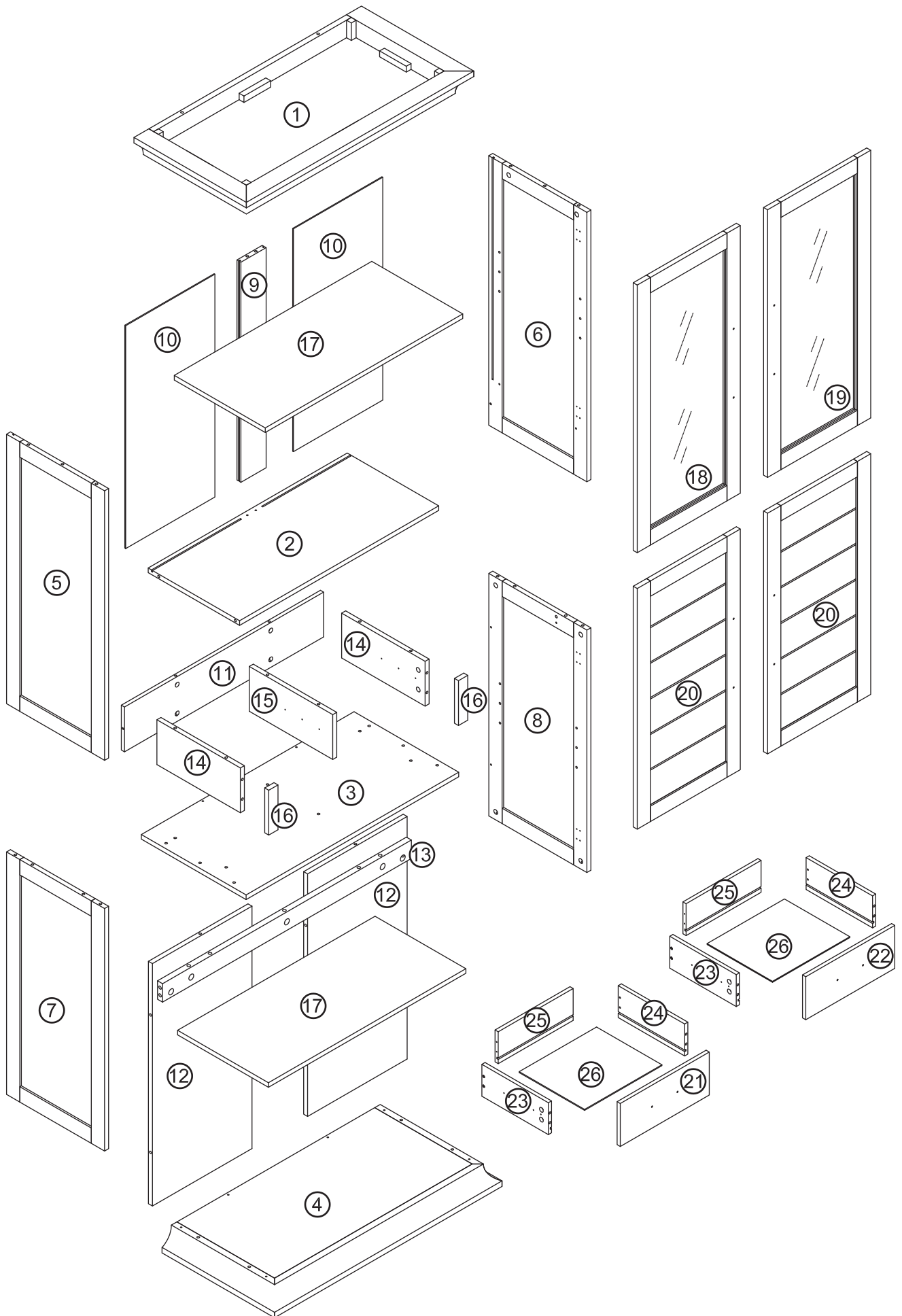
Hand tight all hardware and careful not to over tighten to avoid damaging the product.

CAUTION

There are small components used in the construction of this product. Loose items should be kept away from pets and children to avoid a choking hazard.

Keep all plastic bags and packaging film away from pets and children to avoid suffocation.

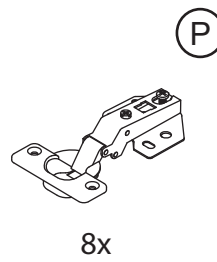
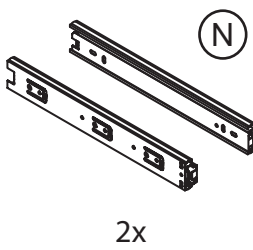
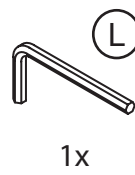
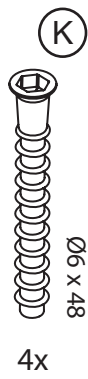
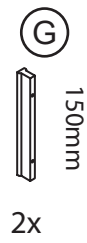
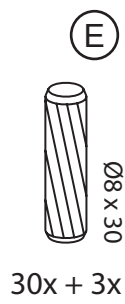
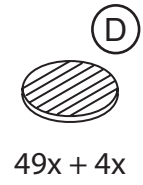
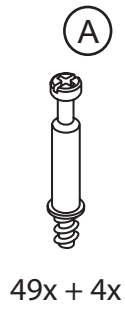
PACKAGE CONTENTS



PACKAGE CONTENTS

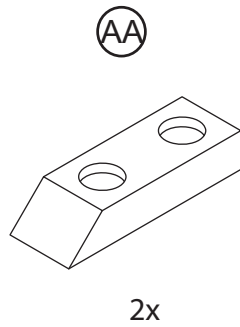
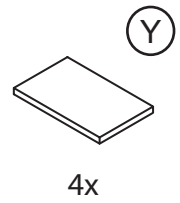
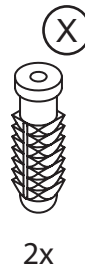
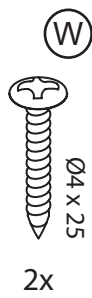
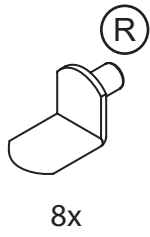
CODE	DESCRIPTION	QTY
1	Top Panel	1
2	Fixed Storage Shelf Panel	1
3	Center Panel	1
4	Base	1
5	Upper Left Panel	1
6	Upper Right Panel	1
7	Lower Left Panel	1
8	Lower Right Panel	1
9	Back Support Panel	1
10	Upper Back Panel	2
11	Center Back Panel	1
12	Lower Back Panel	2
13	Crossbar	1
14	Drawer Shelf Side Panel	2
15	Drawer Shelf Center Panel	1
16	Drawer Shelf Front Strip	2
17	Movable Storage Shelf Panel	2
18	Left Glass Cabinet Door	1
19	Right Glass Cabinet Door	1
20	Bottom Cabinet Door	2
21	Left Drawer Front Panel	1
22	Right Drawer Front Panel	1
23	Drawer Left Panel	2
24	Drawer Right Panel	2
25	Drawer Back Panel	2
26	Drawer Bottom Panel	2

PACKAGE CONTENTS



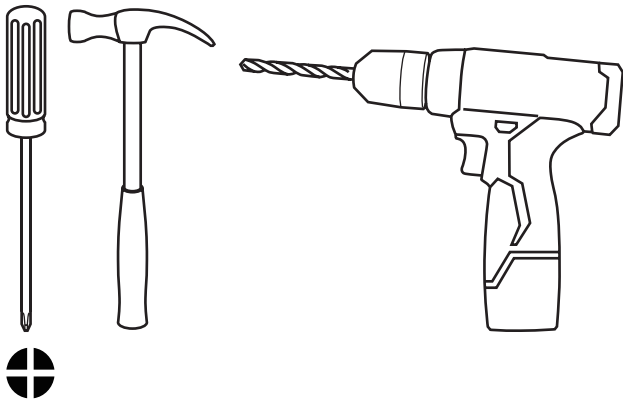
Install all hardware perpendicular to the opening.

PACKAGE CONTENTS



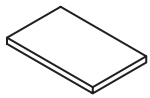
Install all hardware perpendicular to the opening.

Required tools for assembly (Not included)

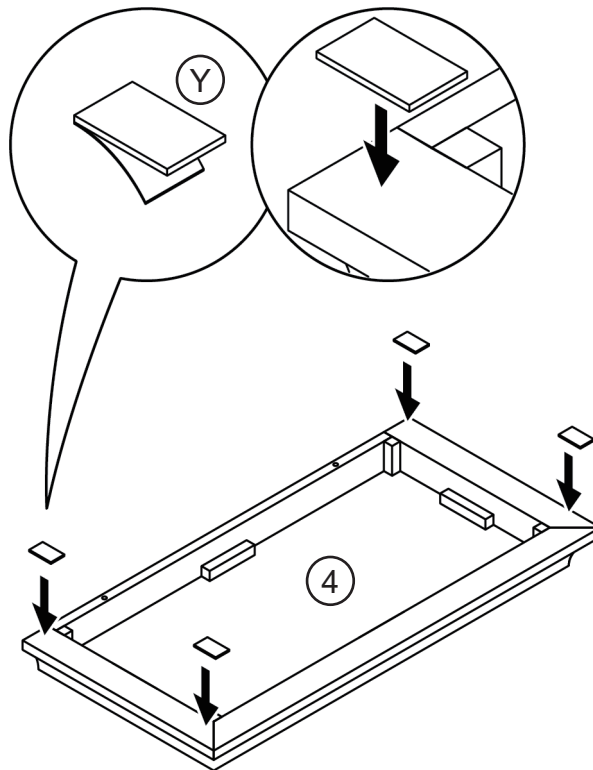


1

Attach furniture pads underneath the base (4).

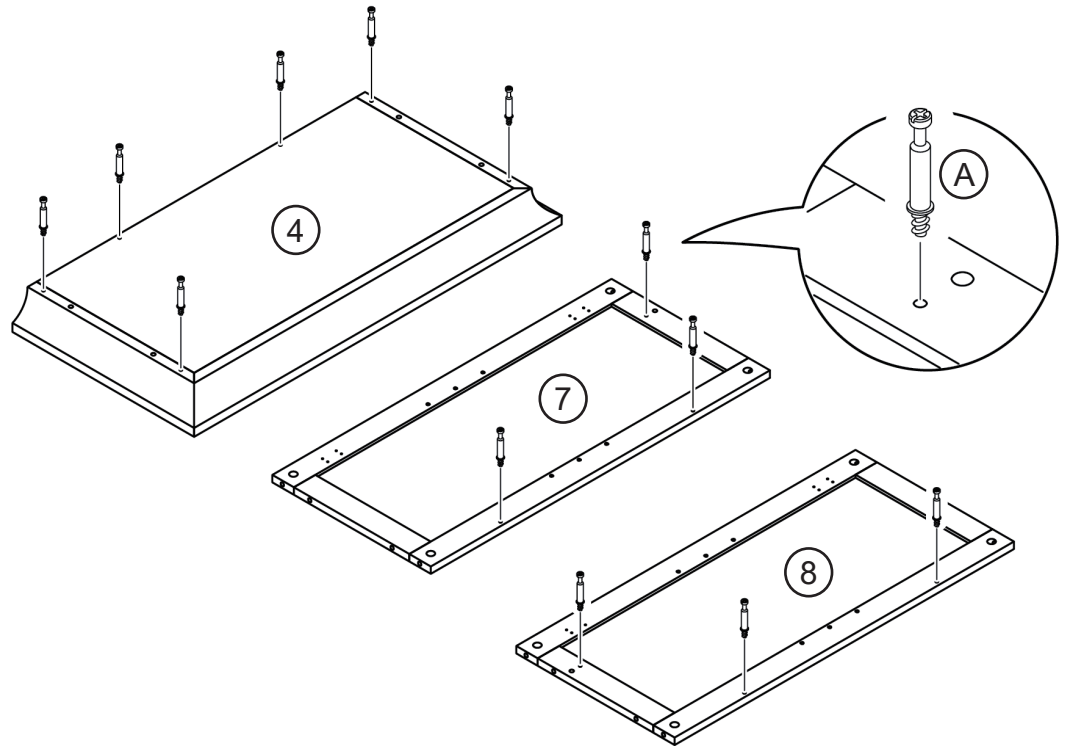
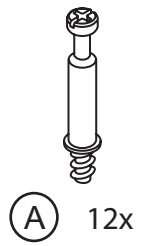


(Y) 4x



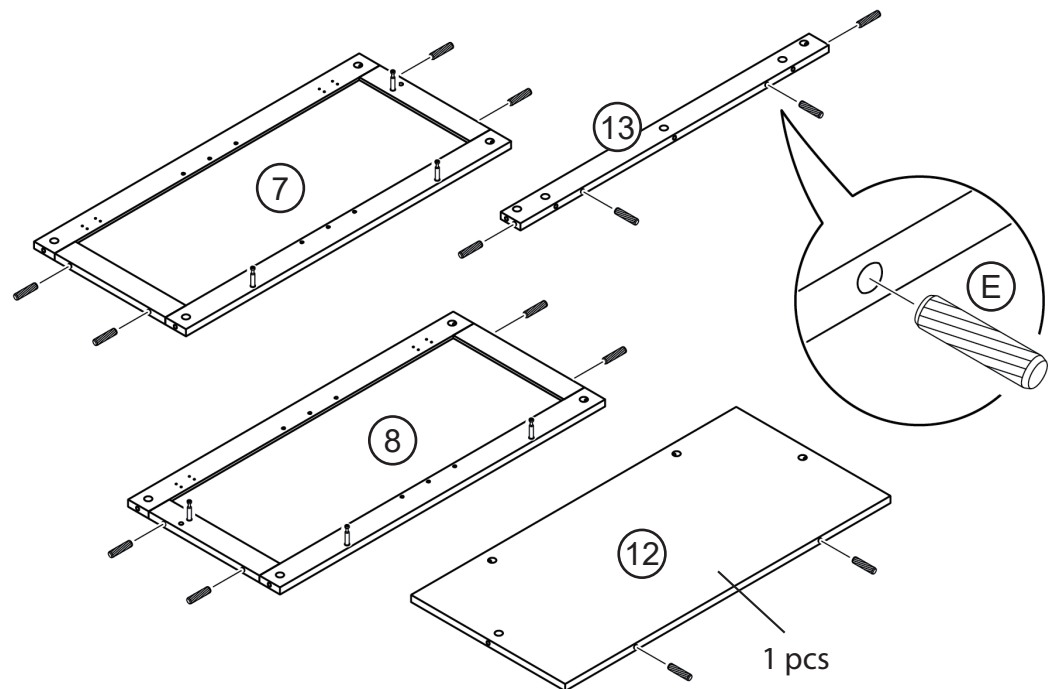
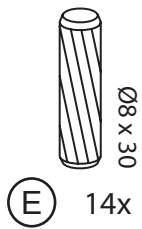
2

Attach cam bolts to the base (4) and the lower side panels (7, 8).



3

Insert short wood dowels to the lower side panels (7, 8), lower back panel (12) and the crossbar (13).



4

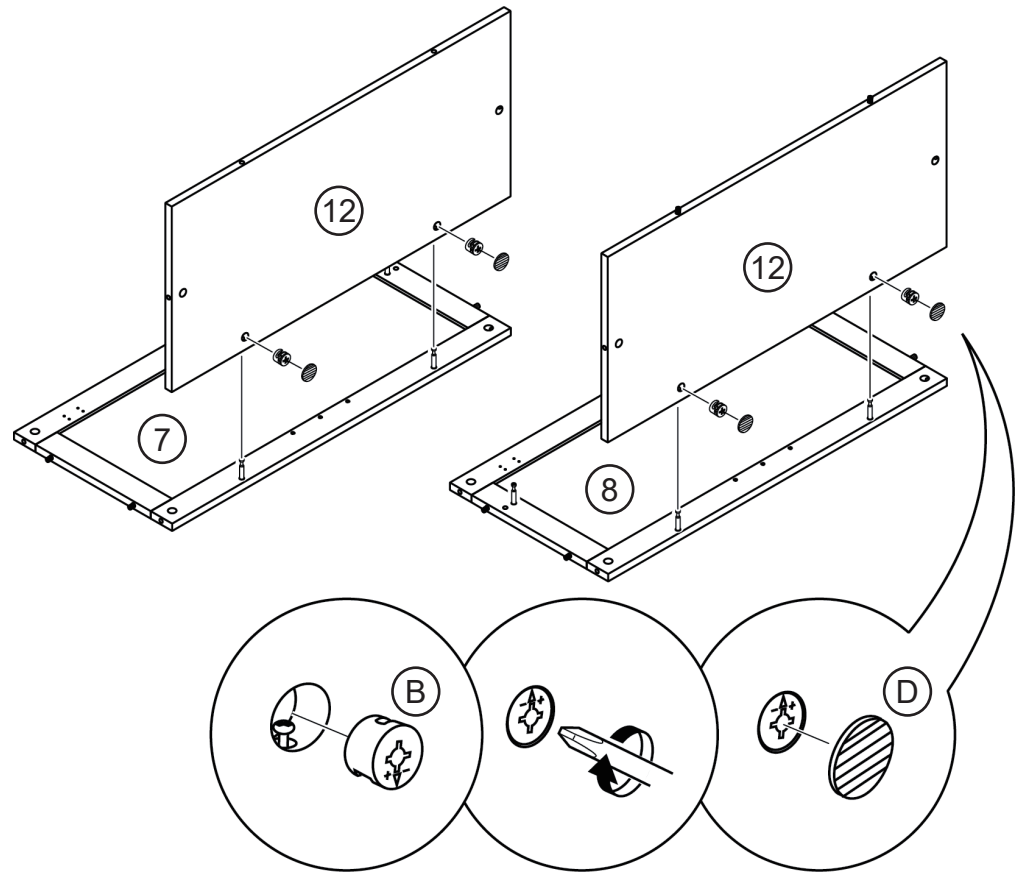
Assemble the lower back panels (12) to the lower side panels (7, 8).



(B) 4x



(D) 4x



5

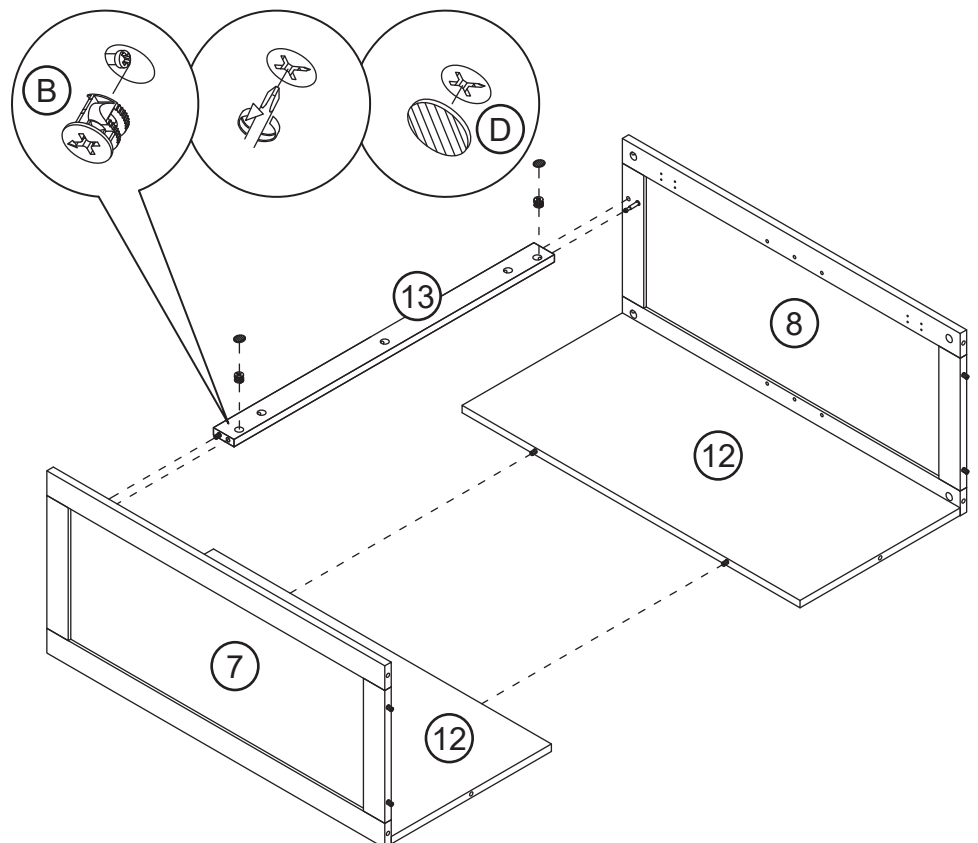
Assemble the crossbar (13) between the two lower side panels (7, 8).



(B) 2x

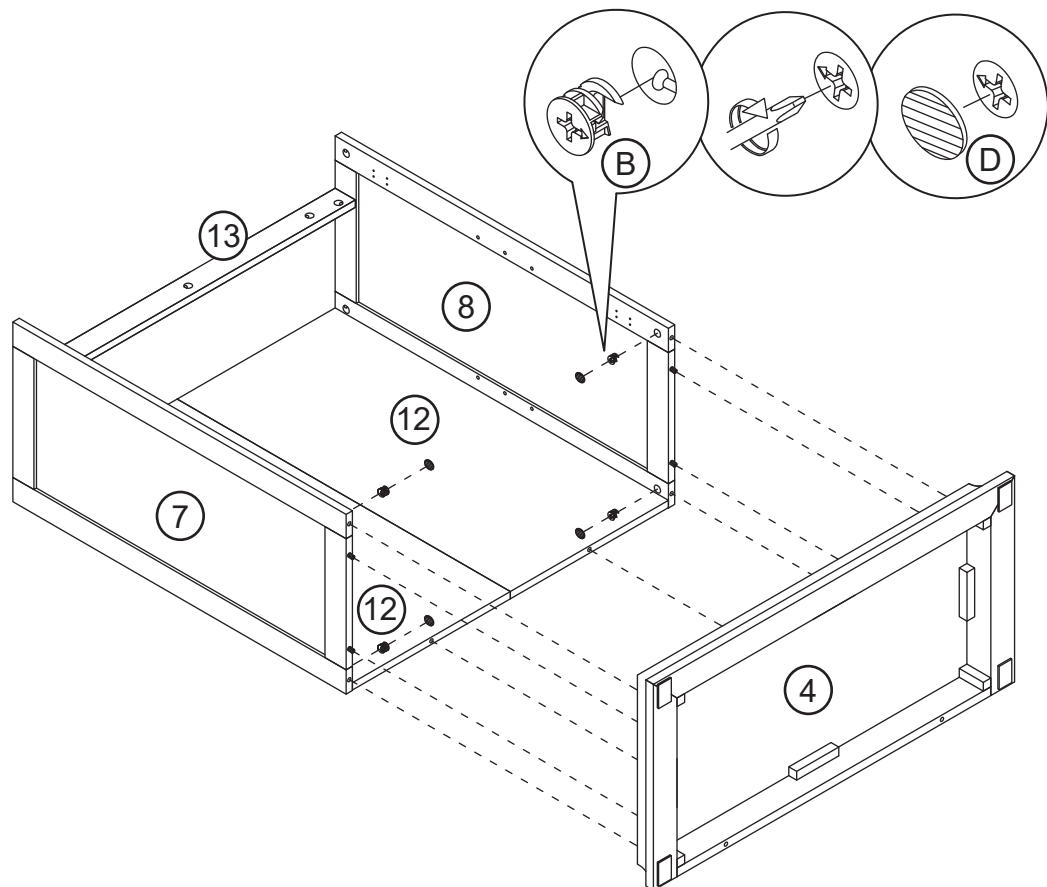
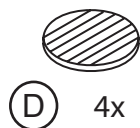
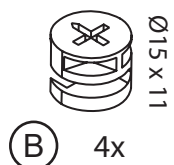


(D) 2x



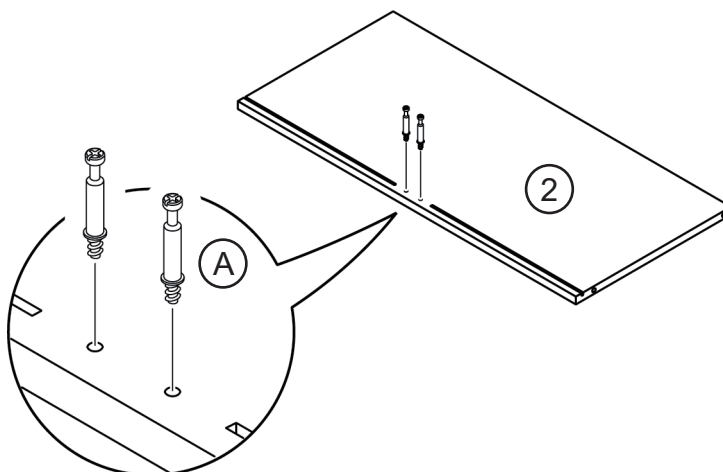
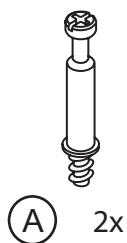
6

Assemble the lower side panels and lower back panels on the base (4).



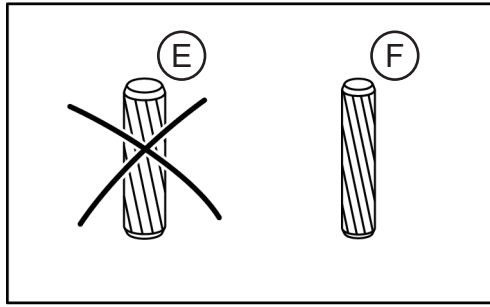
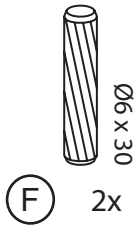
7

Attach cam bolts to the fixed storage shelf panel (2).

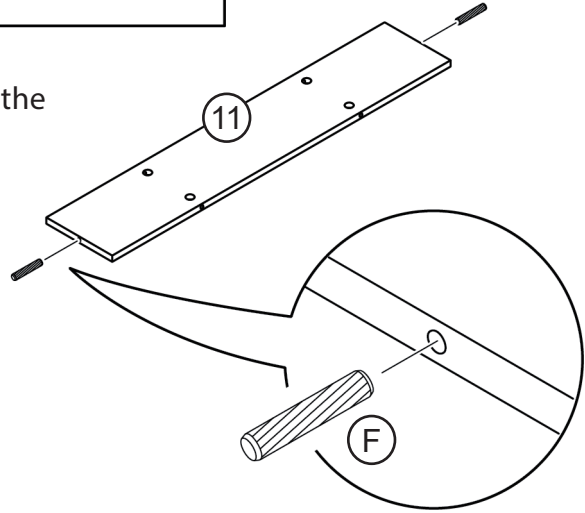


8

Insert narrow wood dowels to the center back panel (11).

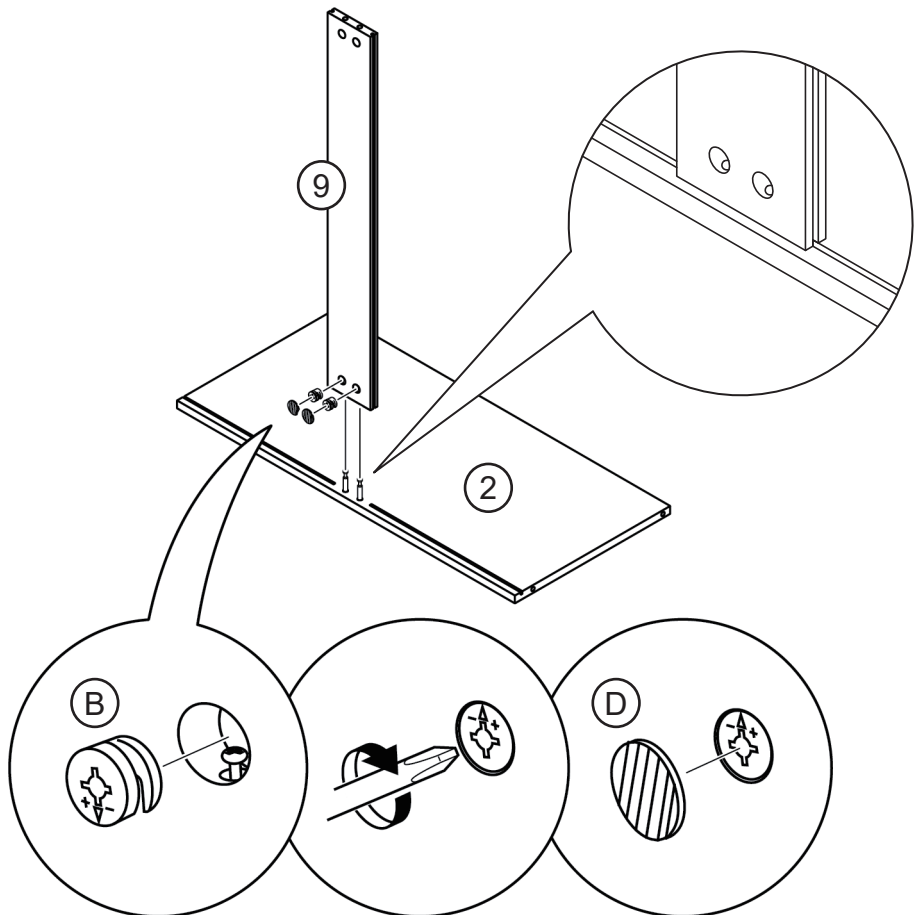
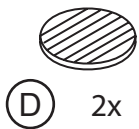
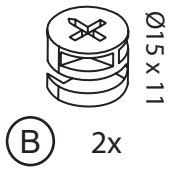


Note: Make sure to use the correct hardware.



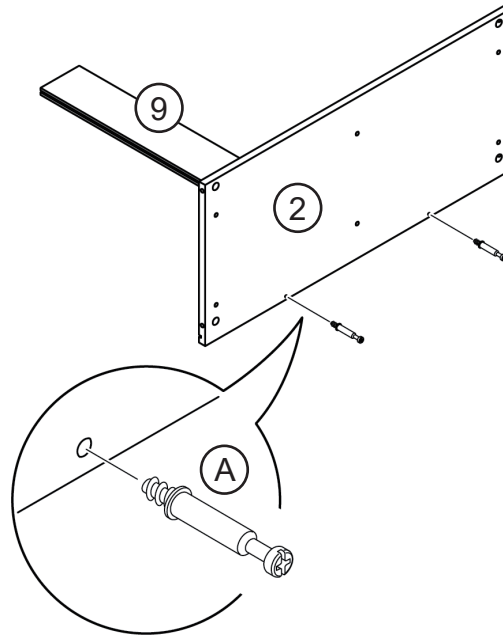
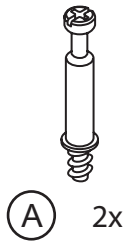
9

Assemble the back support panel (9) to the fixed storage shelf panel (2).



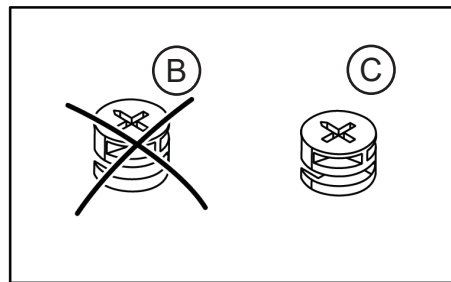
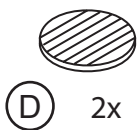
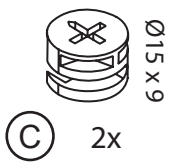
10

Attach cam bolts to the bottom side of the fixed storage shelf panel (2).

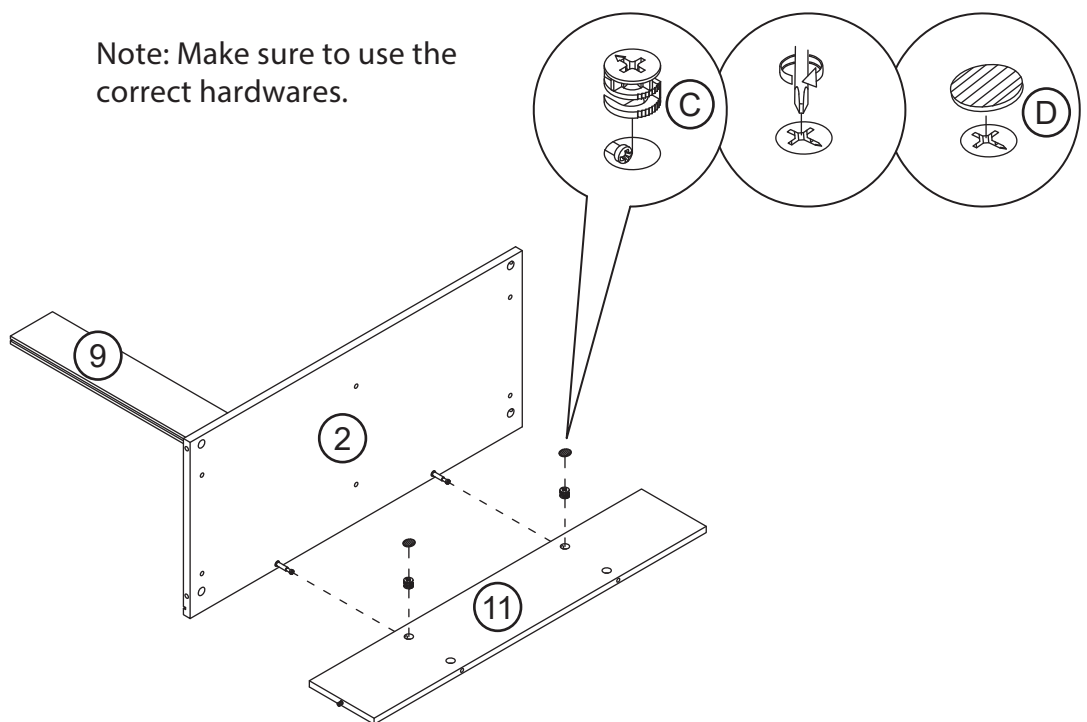


11

Assemble the center back panel (11) to the bottom side of the fixed storage shelf panel (2).

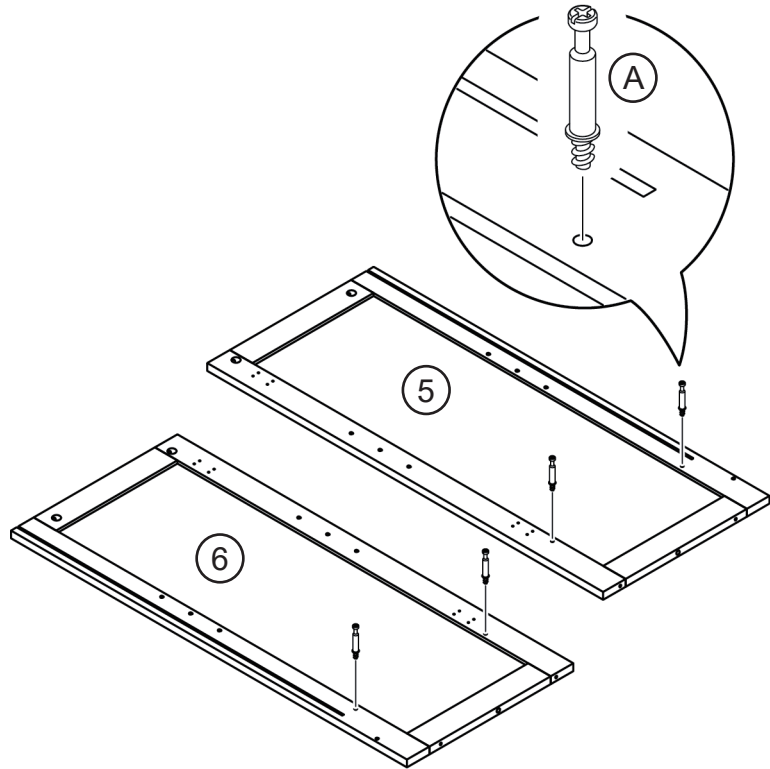
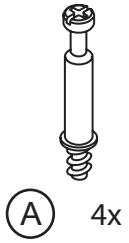


Note: Make sure to use the correct hardware.



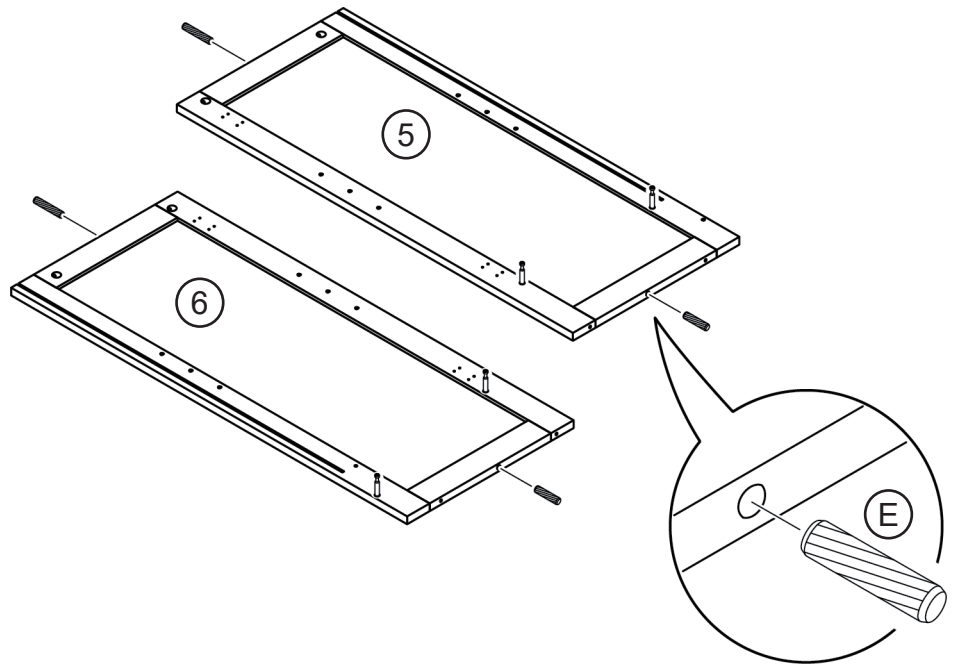
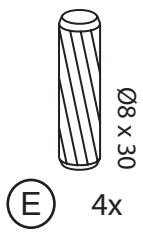
12

Attach cam bolts to the upper side panels (5, 6).



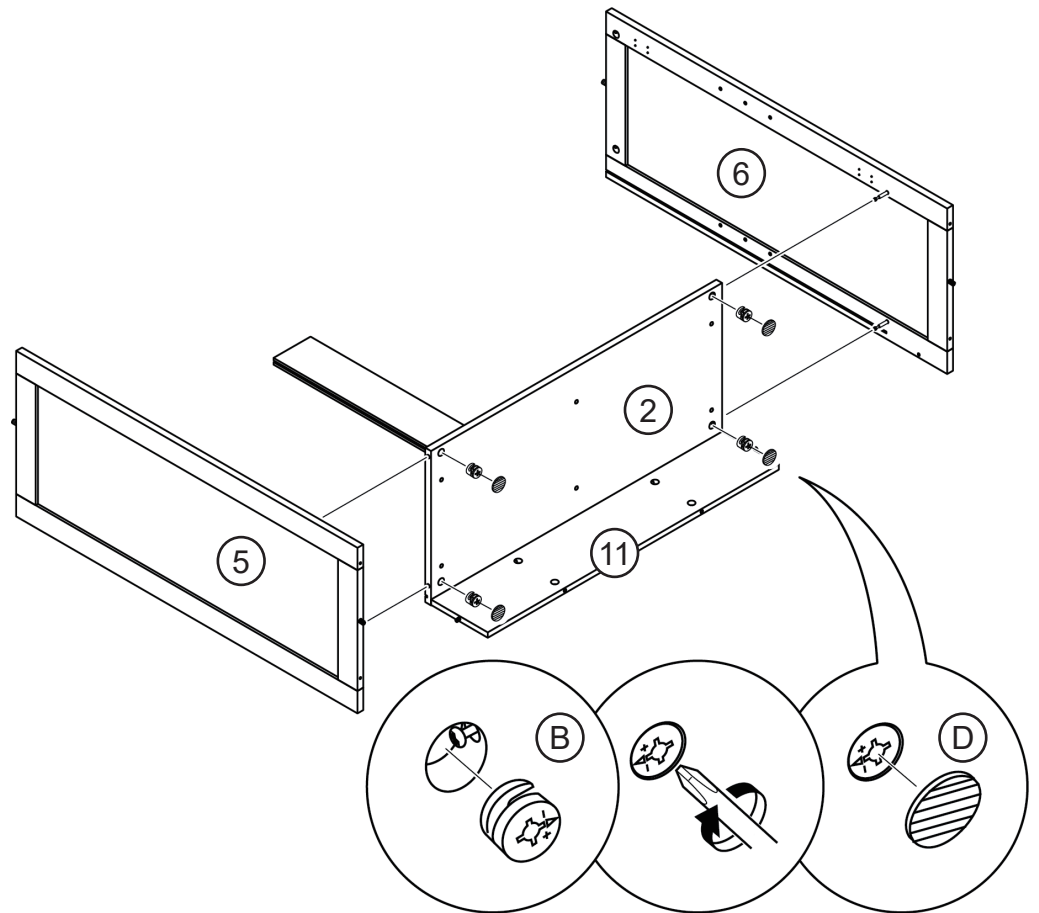
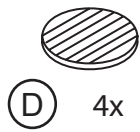
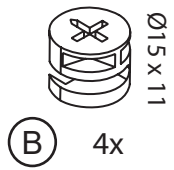
13

Insert wood dowel to the upper side panels (5, 6).



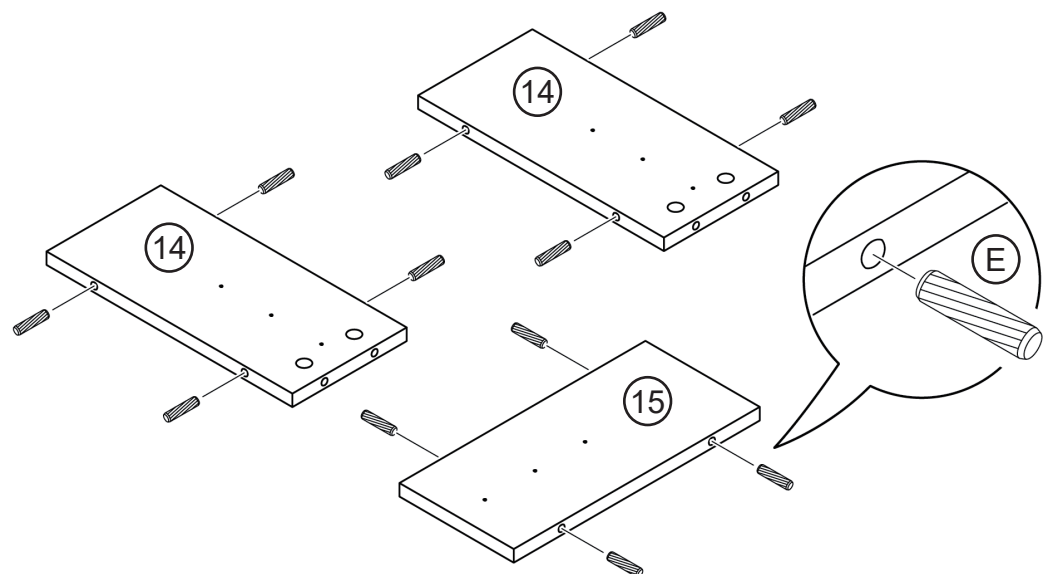
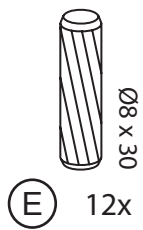
14

Assemble the fixed storage shelf panel (2) between the upper side panels (5, 6).



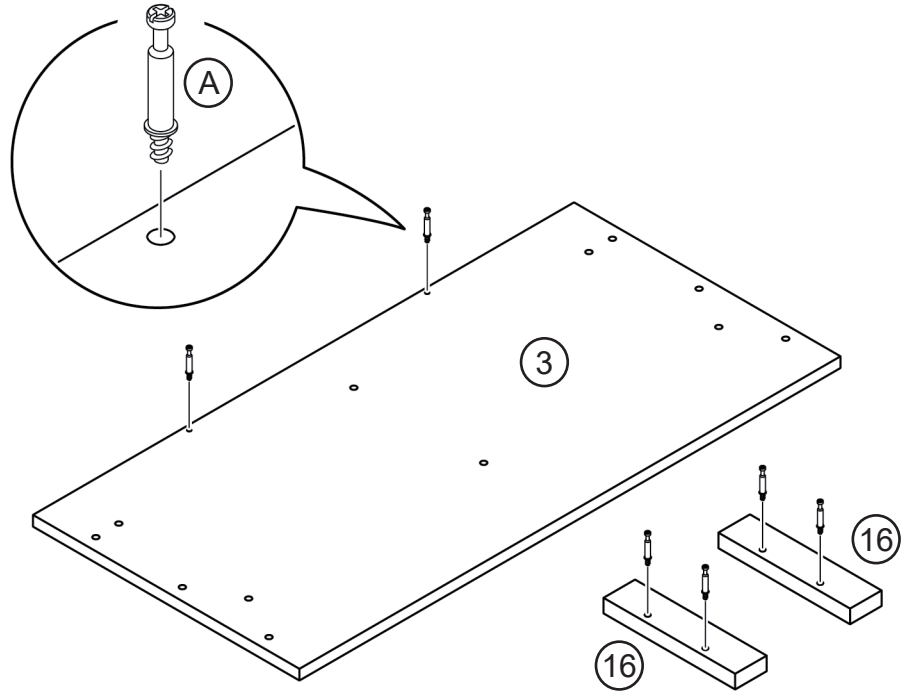
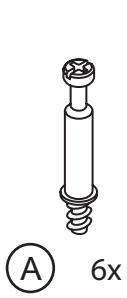
15

Insert wood dowels to the drawer shelf side and center panels (14, 15).



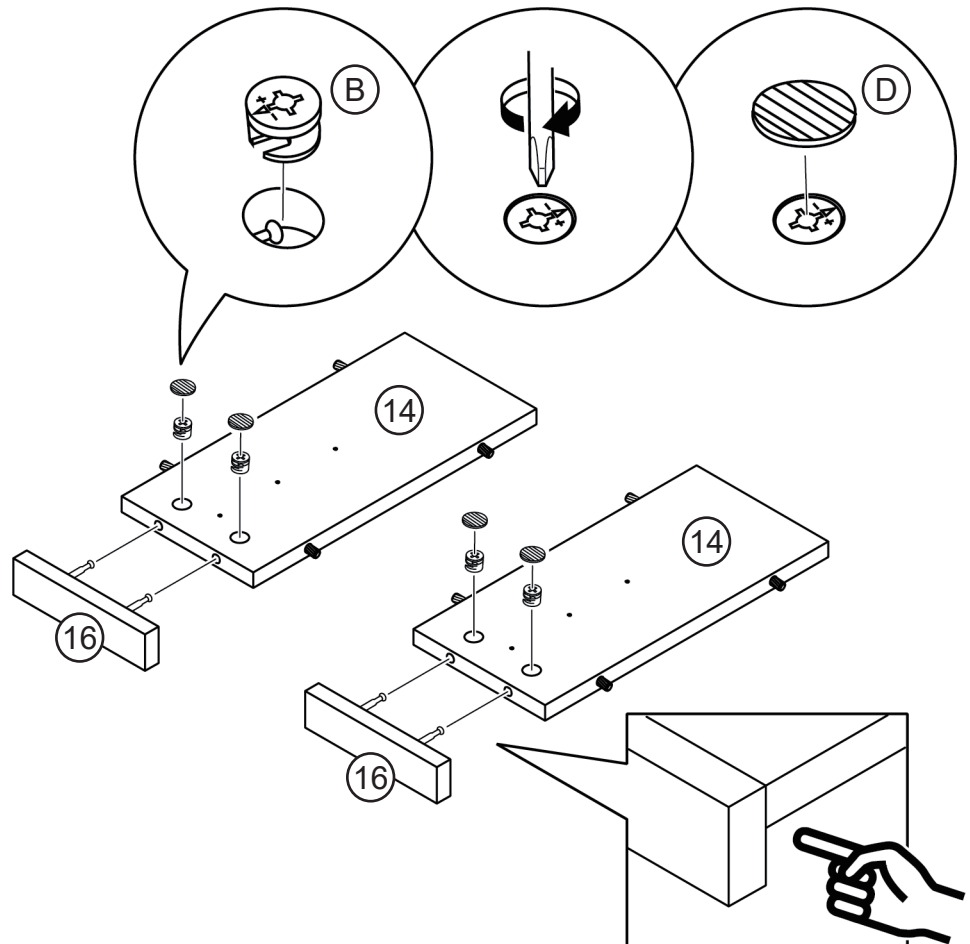
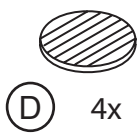
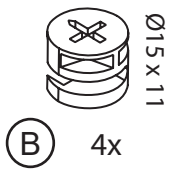
16

Attach cam bolts to the center panel (3) and drawer shelf front strips (16).



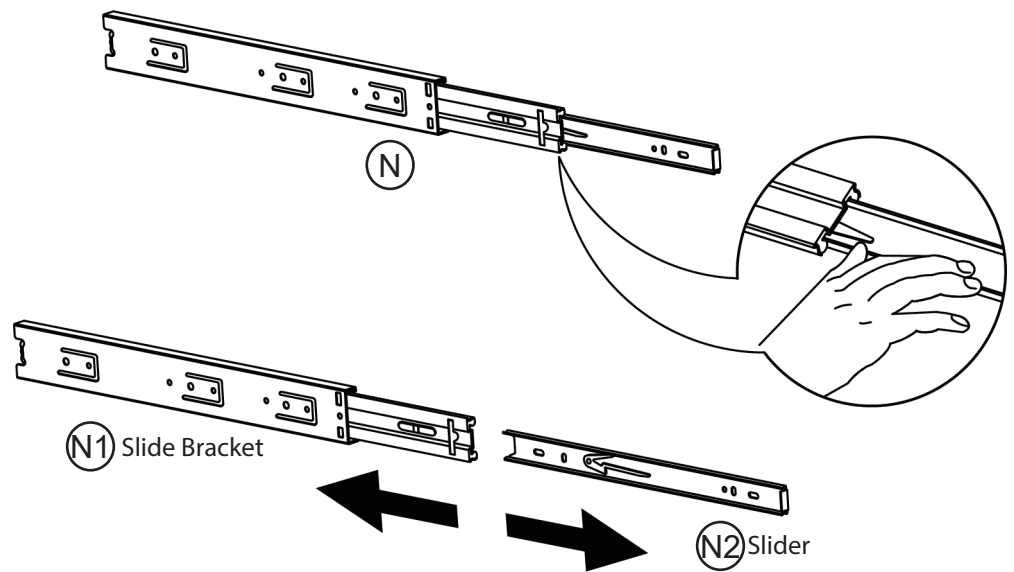
17

Assemble drawer shelf front strips (16) to the drawer shelf side panels (14).



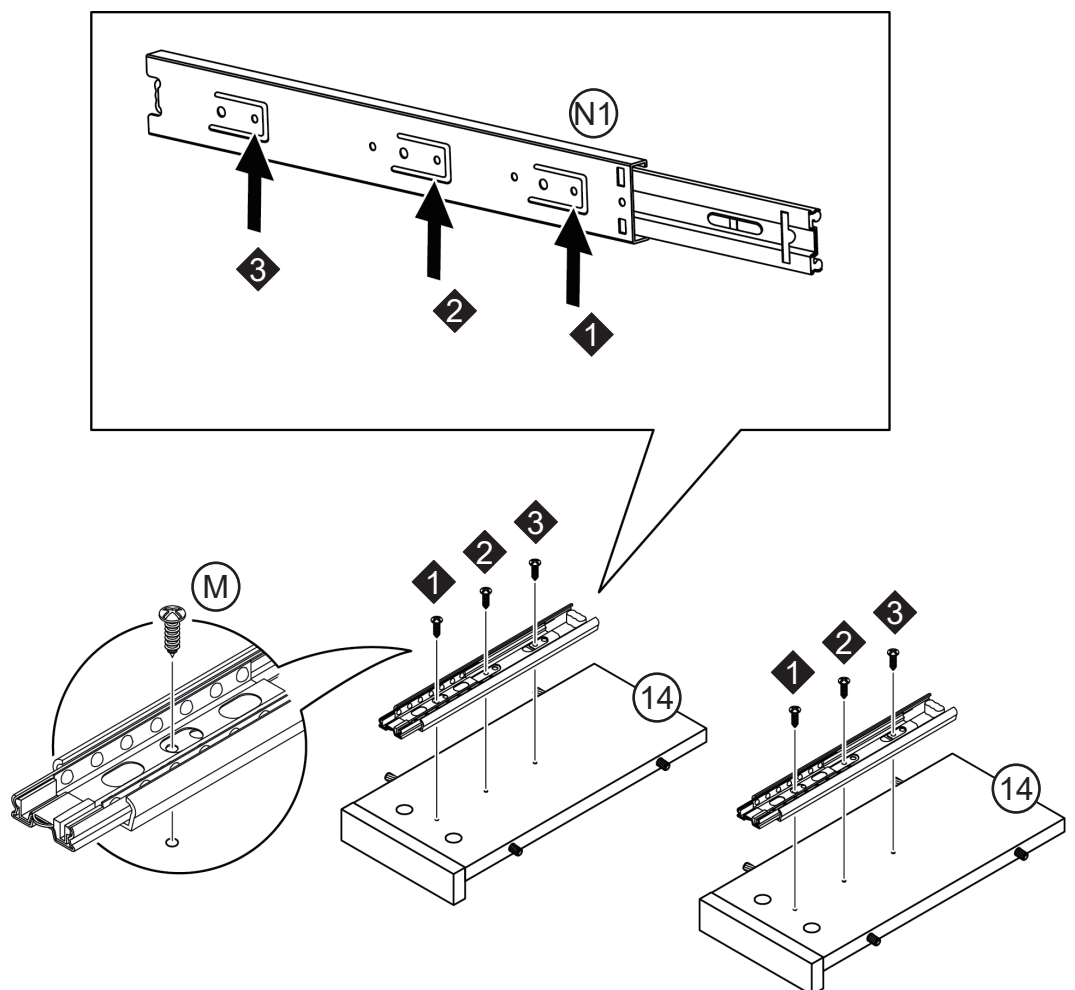
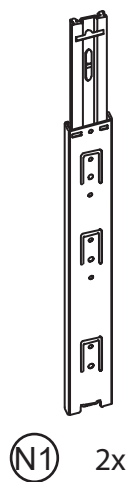
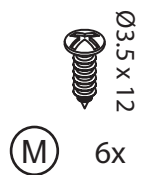
18

Detach sliders from all the slide brackets.



19

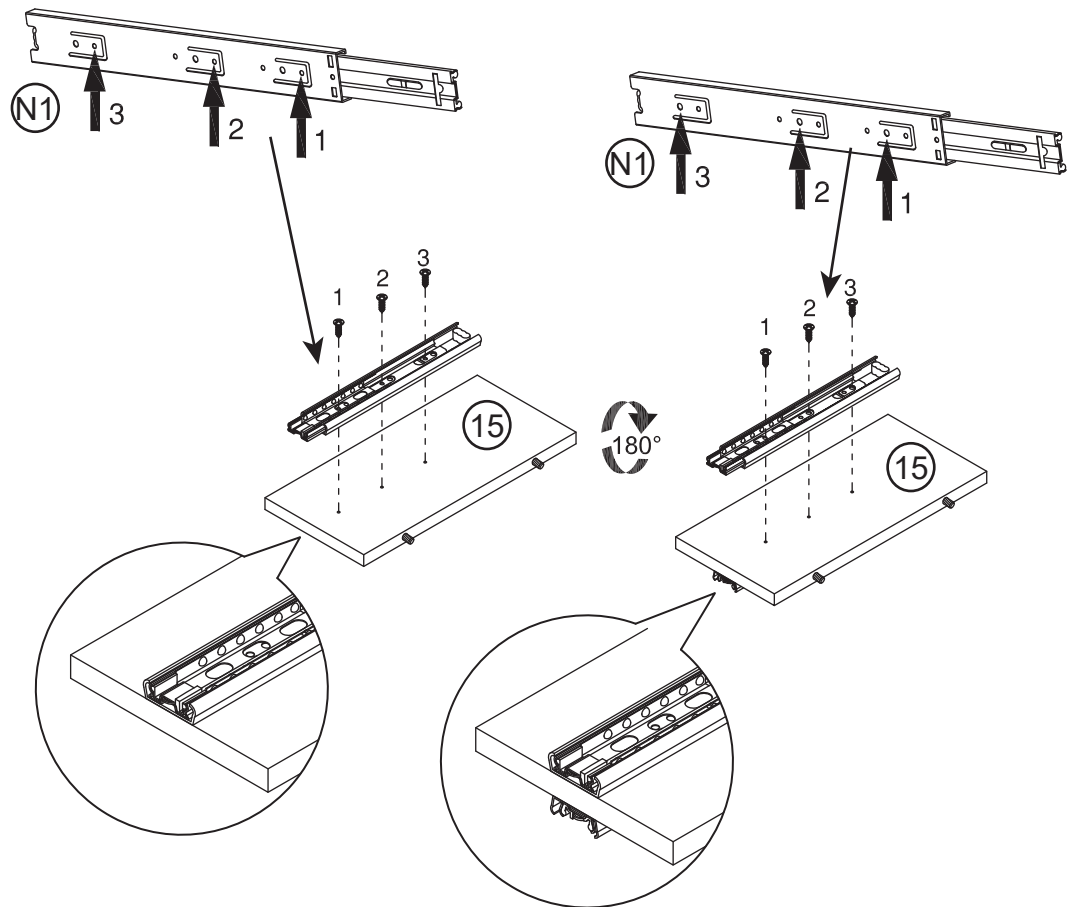
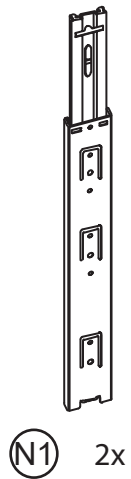
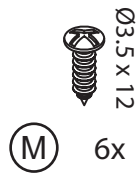
Attach slide bracket to the drawer shelf side panels (14).



20

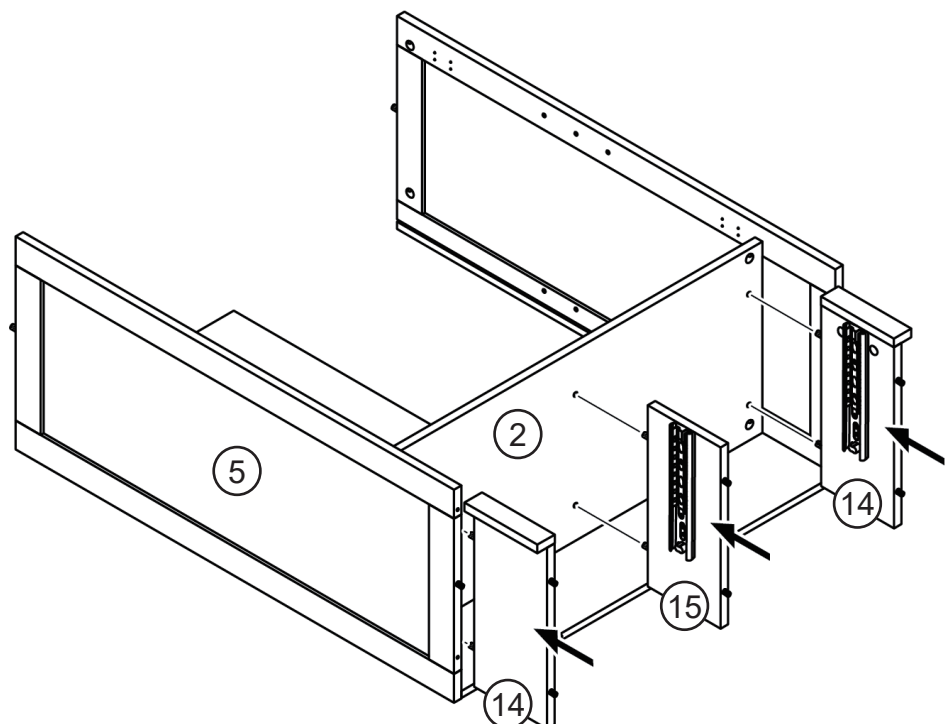
Attach slide bracket to the drawer shelf center panels (15).

Note: The mounting holes on both sides of the slide bracket are different, make sure to insert screws in the correct opening.



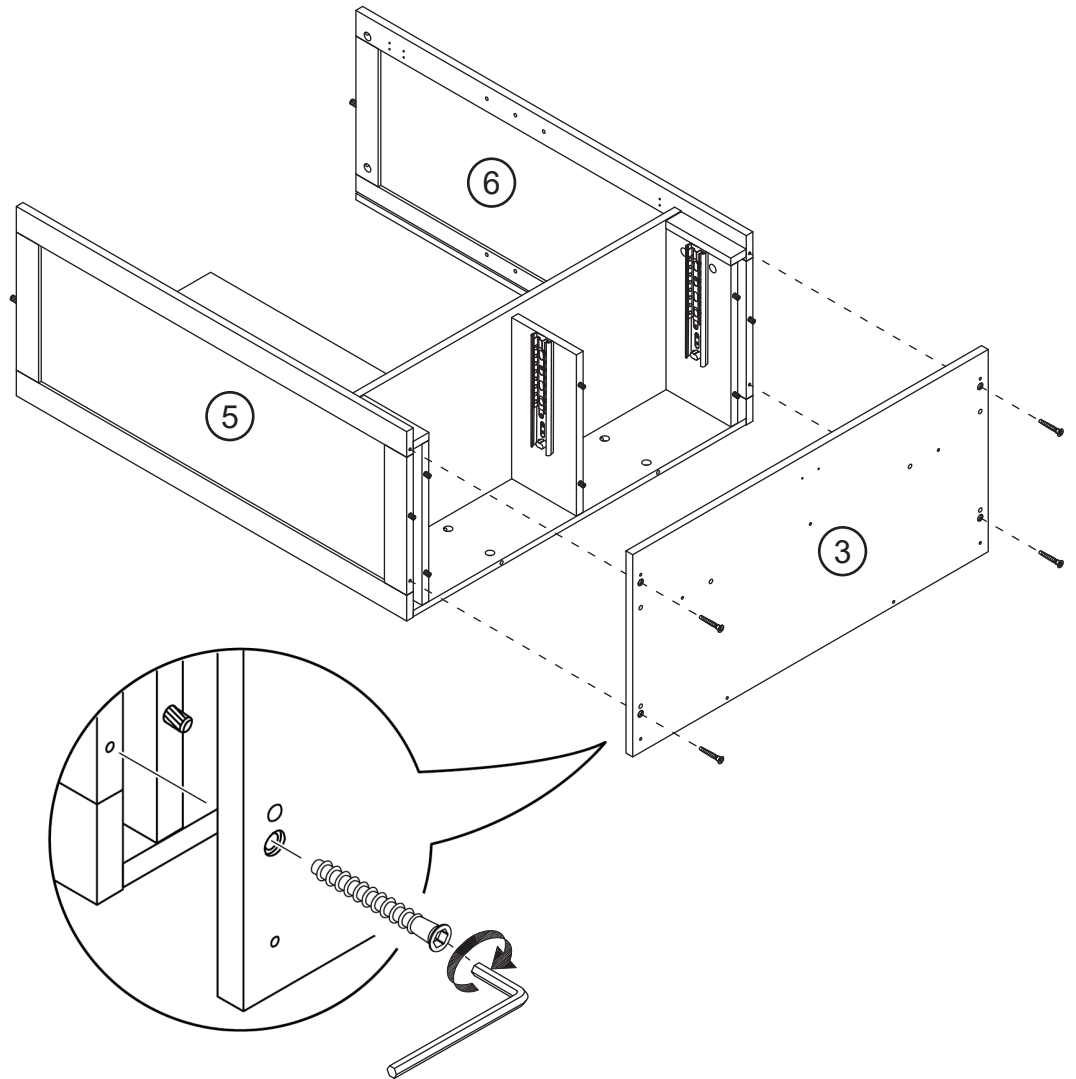
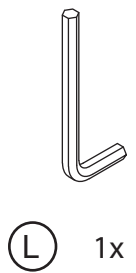
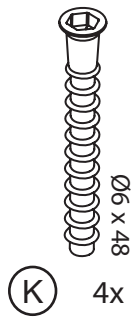
21

Assemble the drawer shelf side panels (14) and drawer shelf center panel (15) underneath the fixed storage shelf panel (2).



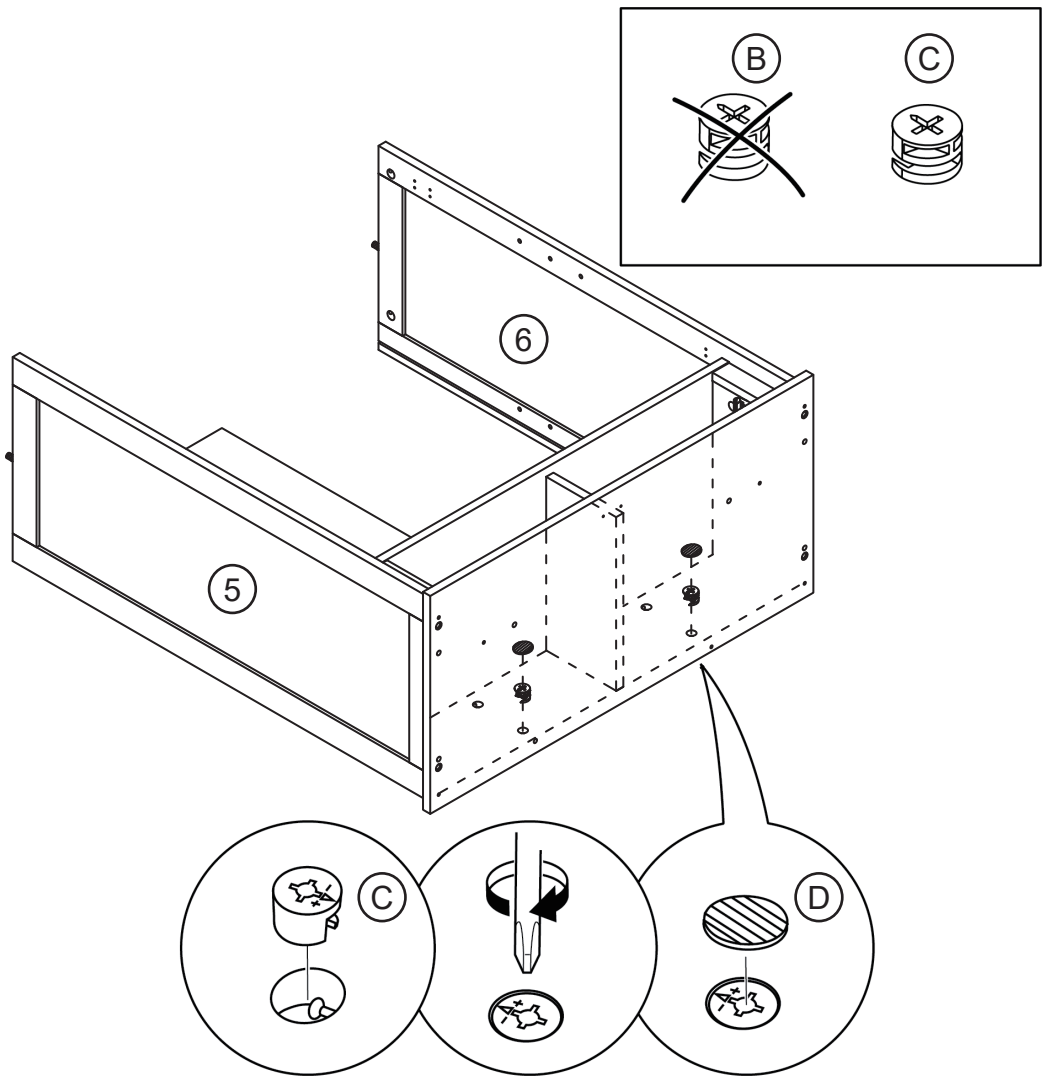
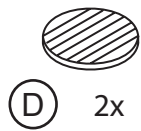
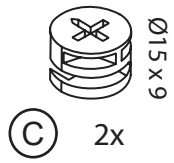
22

Assemble the center panel (3) underneath the upper cabinet assembly.



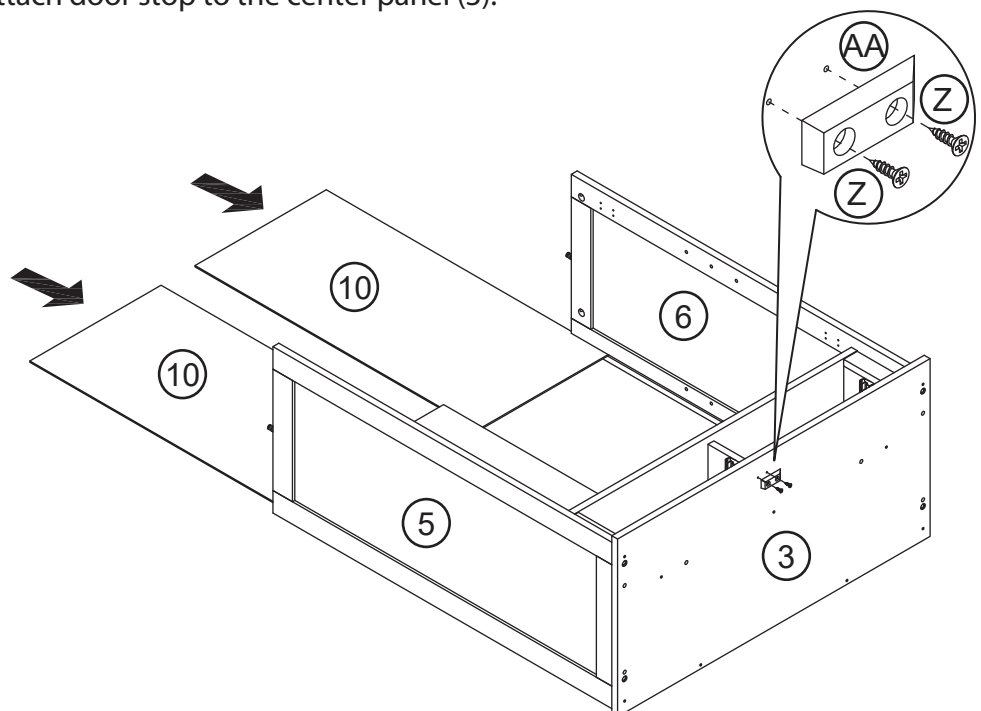
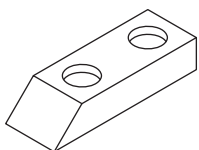
23

Secure the center panel to the center back panel



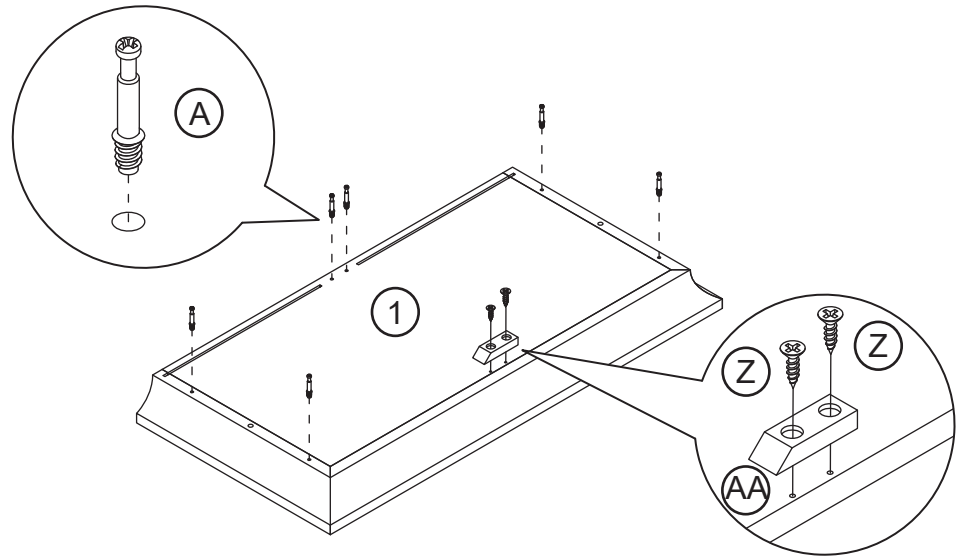
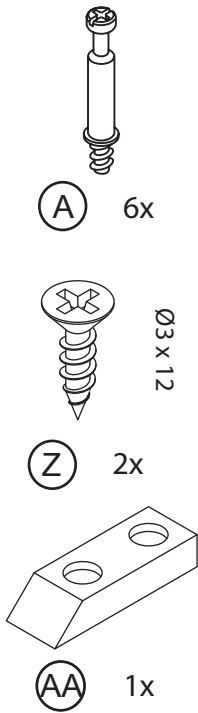
24

Slide the upper back panels (10) to the upper cabinet assembly.
Attach door stop to the center panel (3).



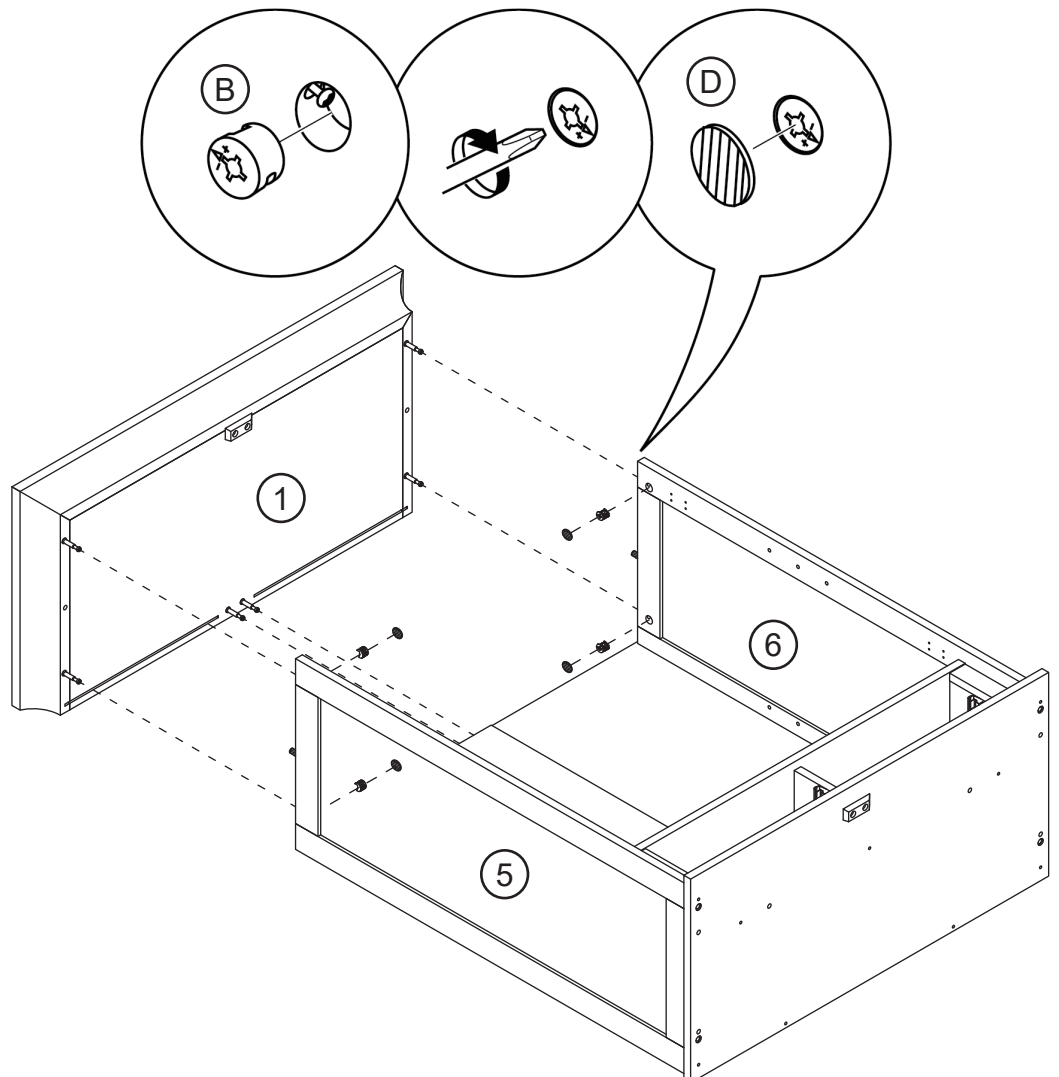
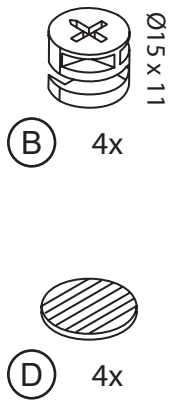
25

Attach cam bolts and door stop to the top panel (1).



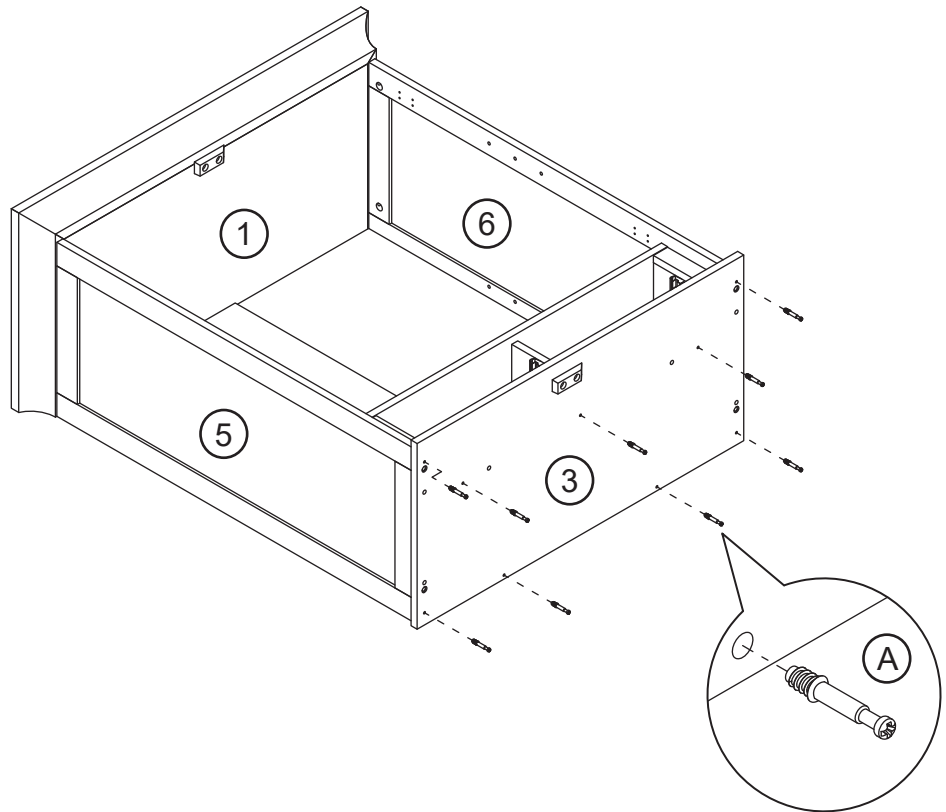
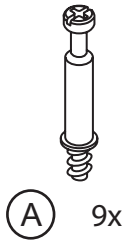
26

Assemble the top panel (1) on top of the upper cabinet assembly.



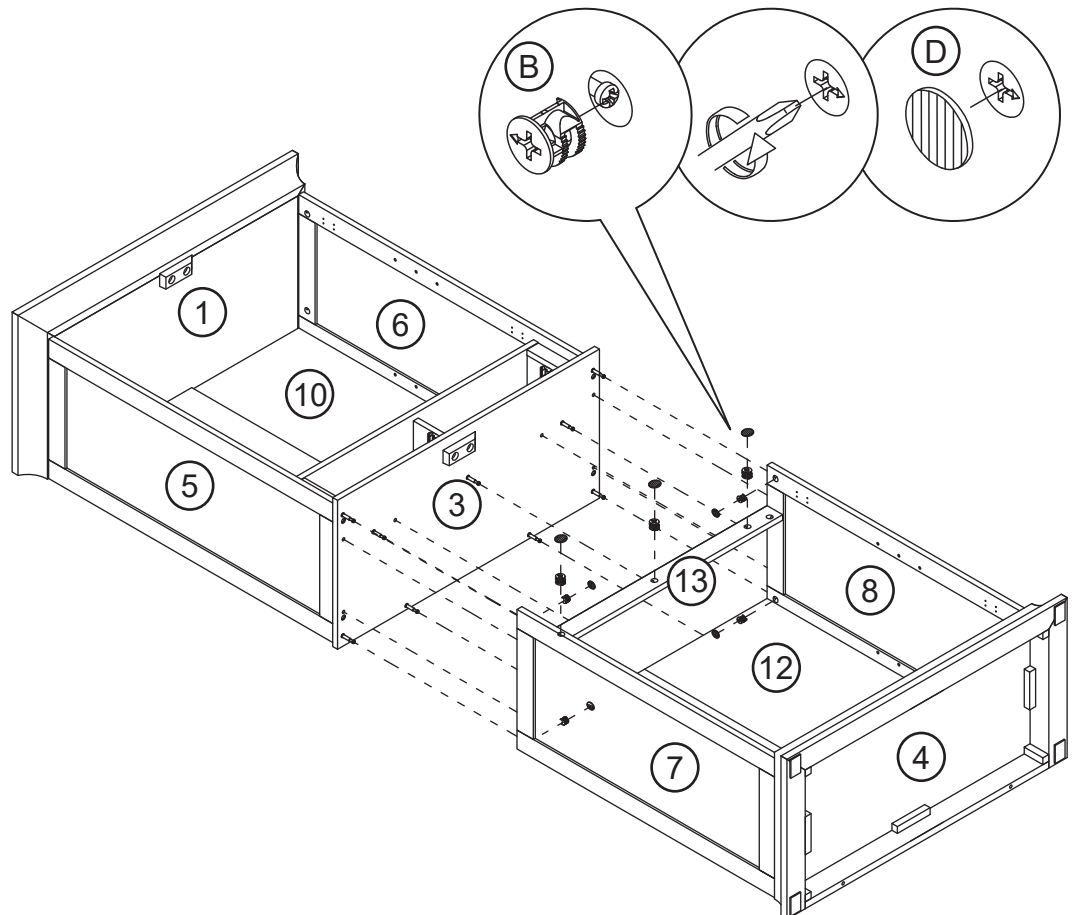
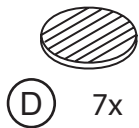
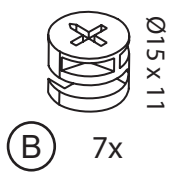
27

Attach cam bolts underneath the center panel (3).



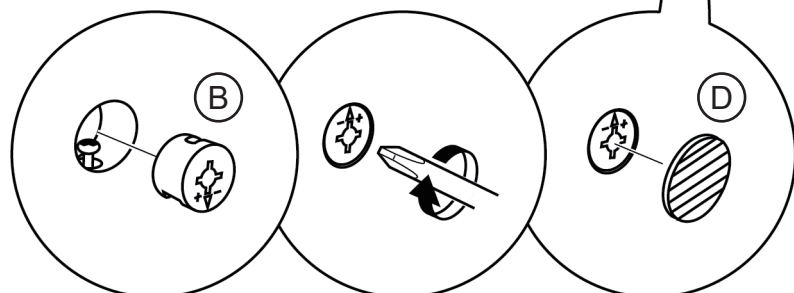
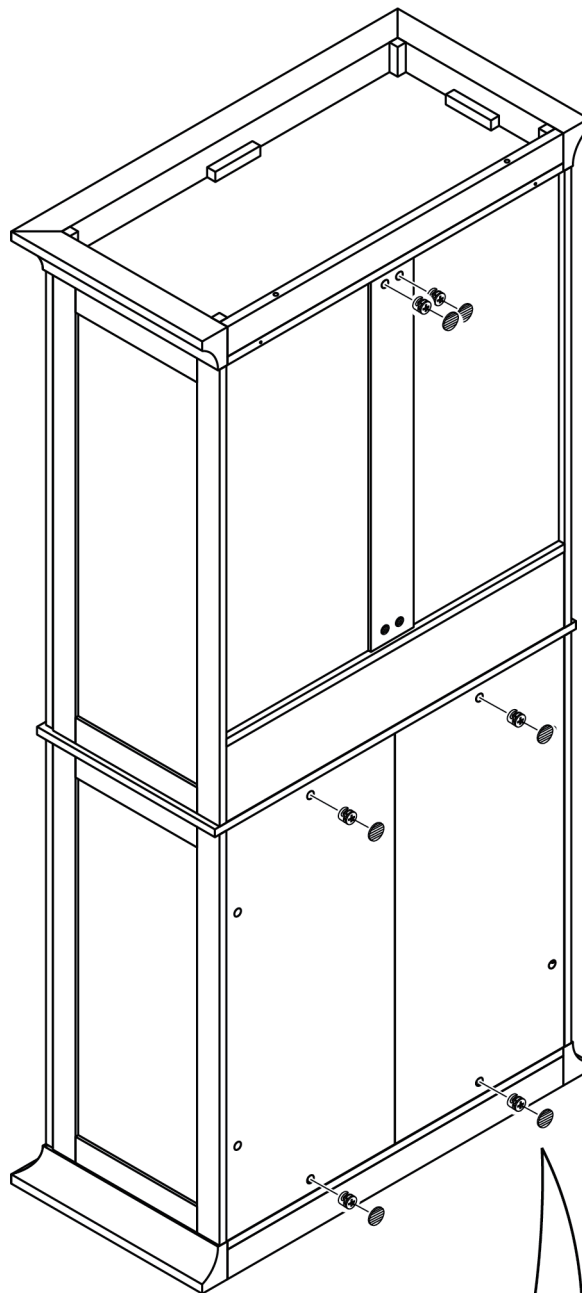
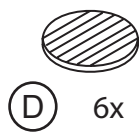
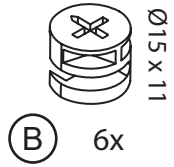
28

Assemble the lower cabinet assembly and the upper cabinet assembly together.



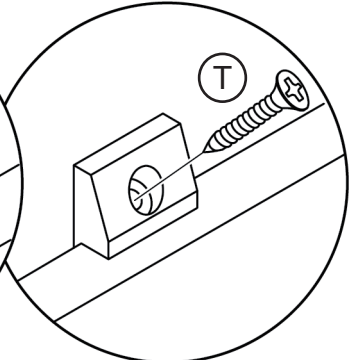
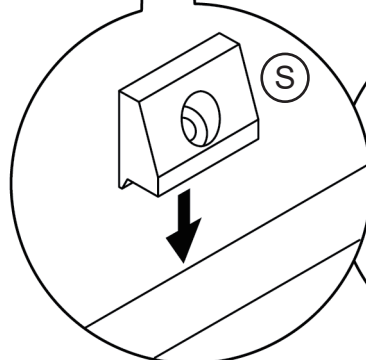
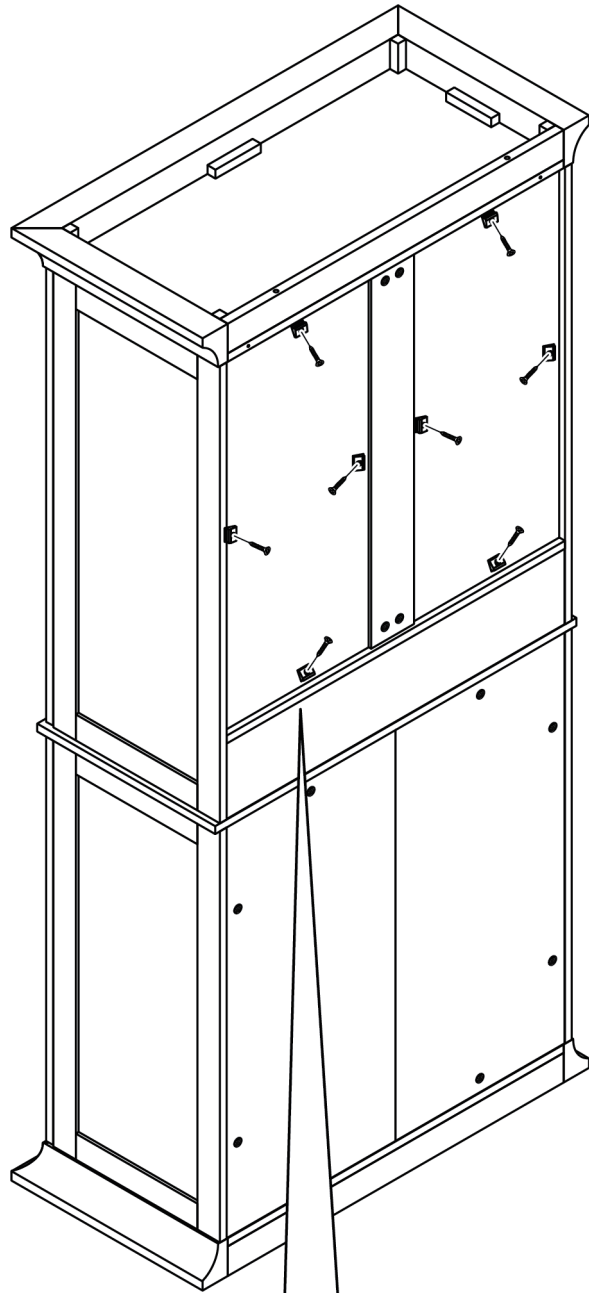
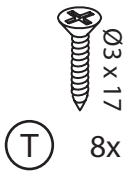
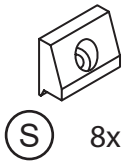
29

Lock down the lower back panels and back support panel to the cabinet.



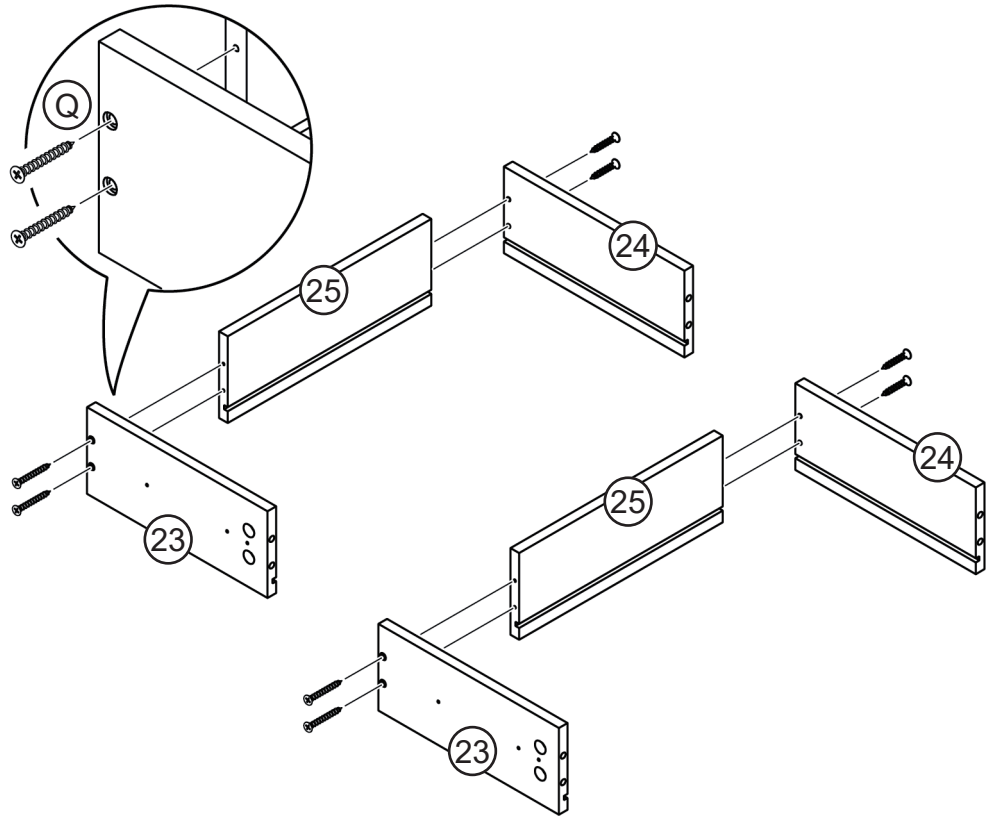
30

Secure the upper back panels in place.



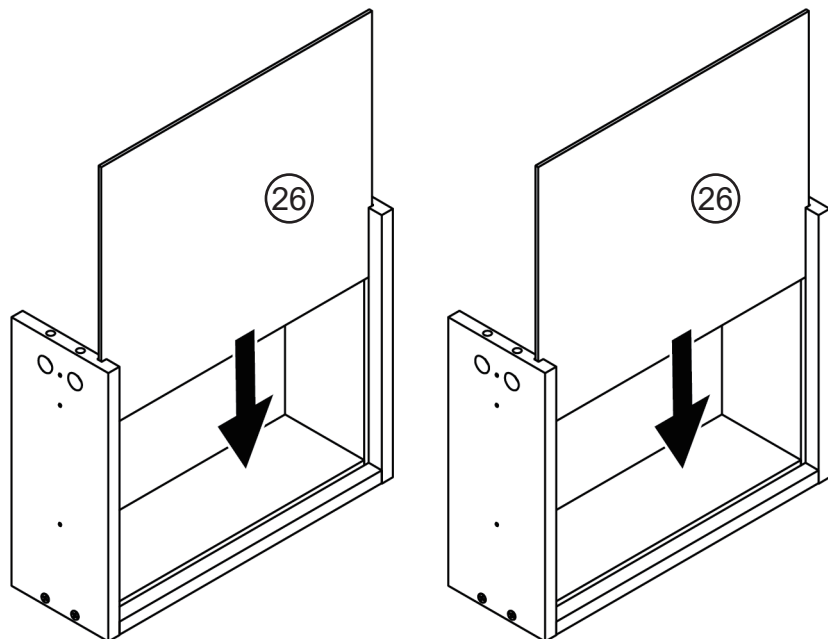
31

Assemble the drawer back panel (25) between the drawer side panels (23, 24).



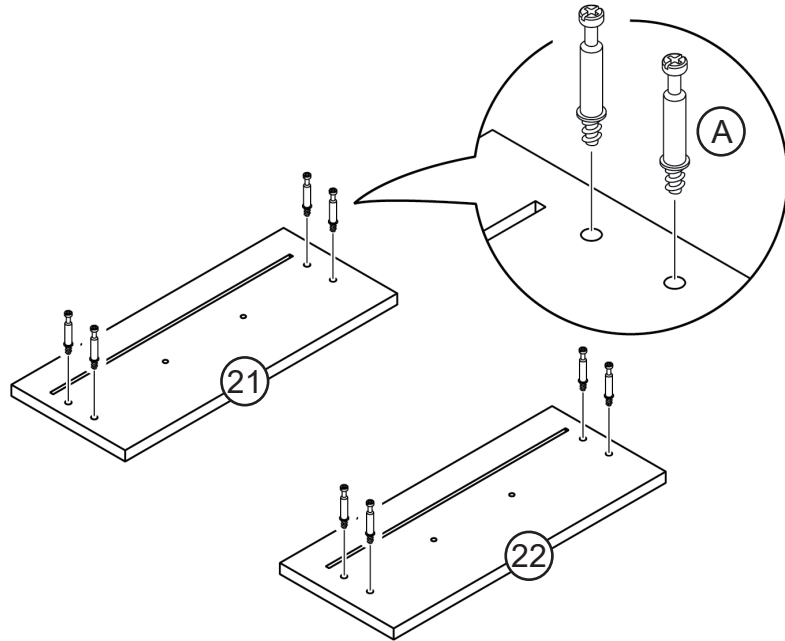
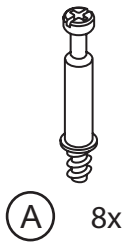
32

Slide the drawer bottom panels (26) to the drawer box assembly.



33

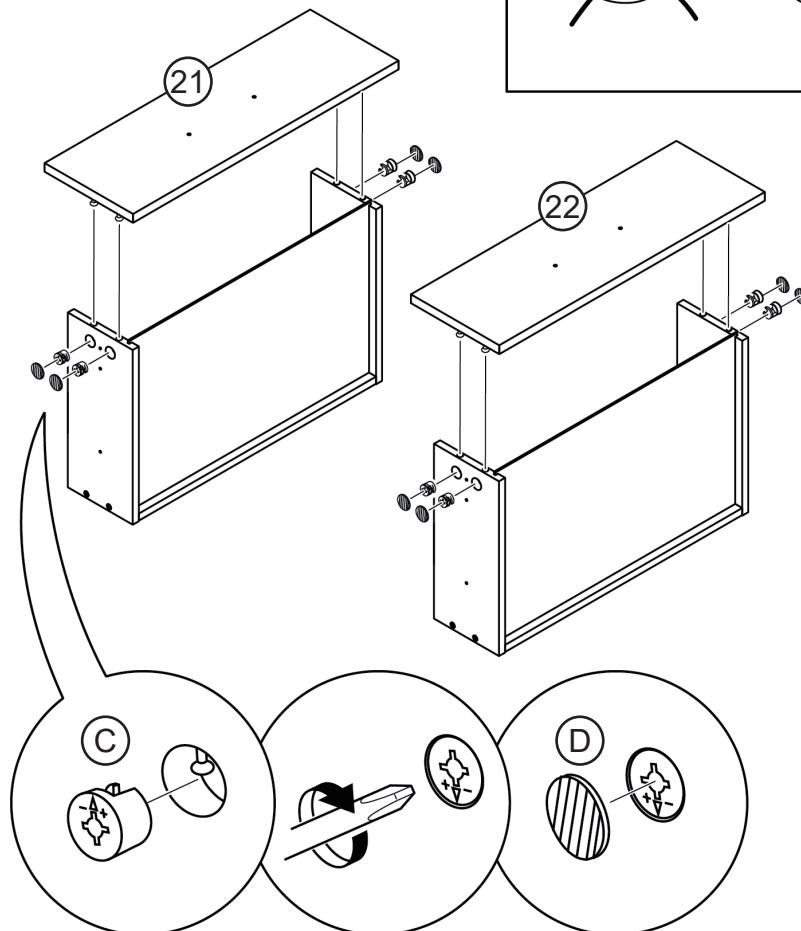
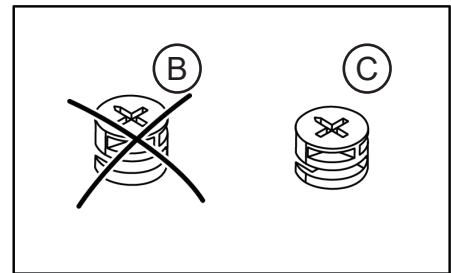
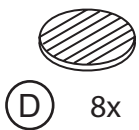
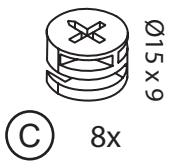
Attach cam bolts to the drawer front panels (21, 22).



34

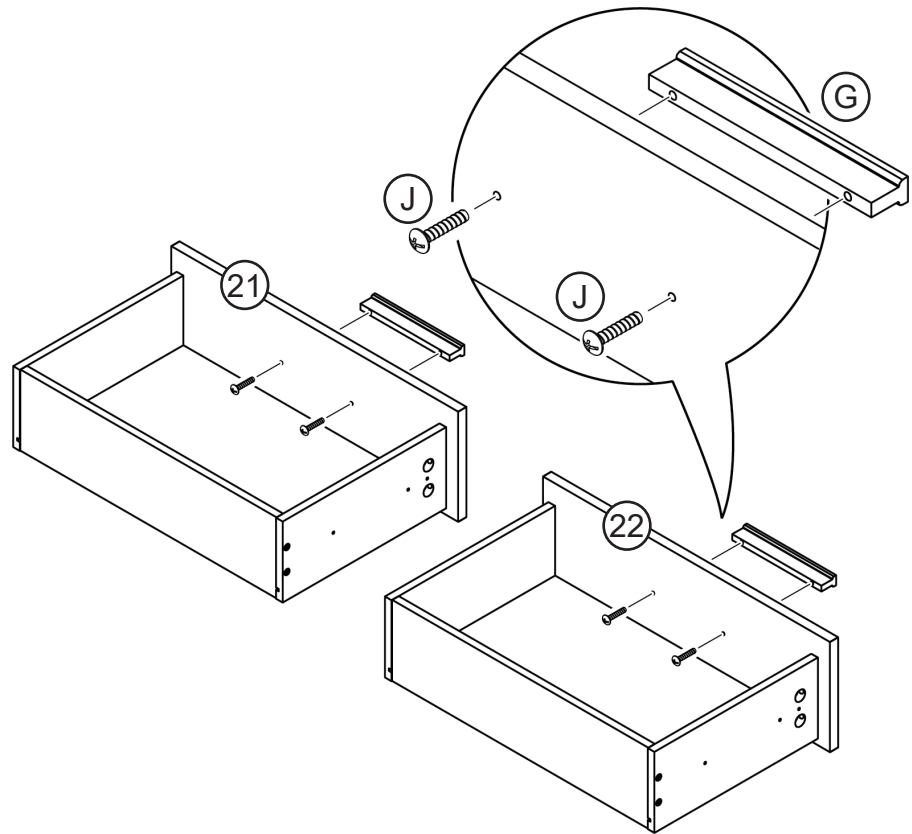
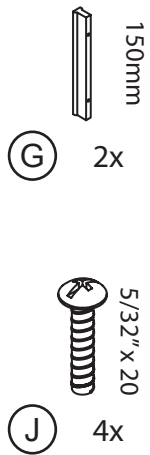
Assemble the drawer front panels (21, 22) to the drawer box assembly.

Note: Make sure to use the correct hardware.



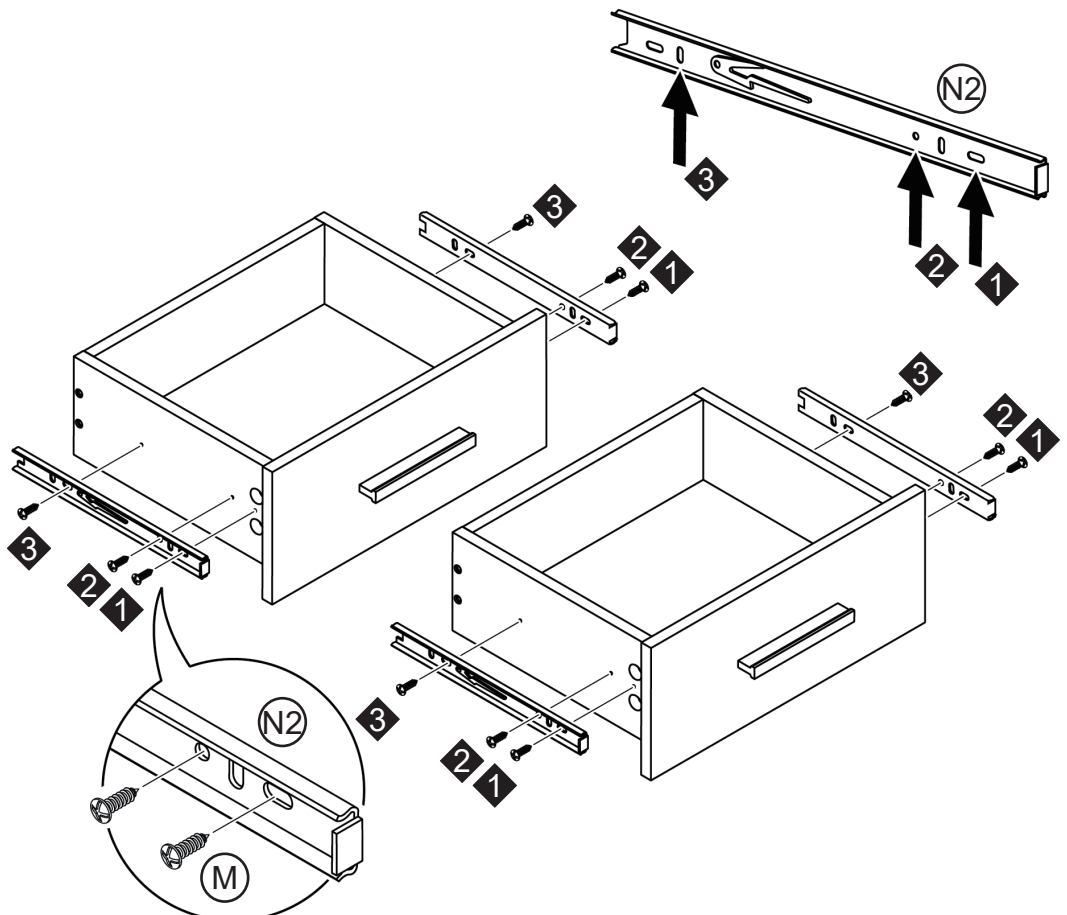
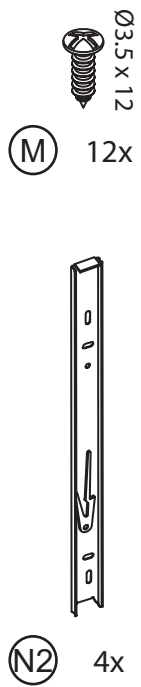
35

Attach drawer handles to the drawer front panels.



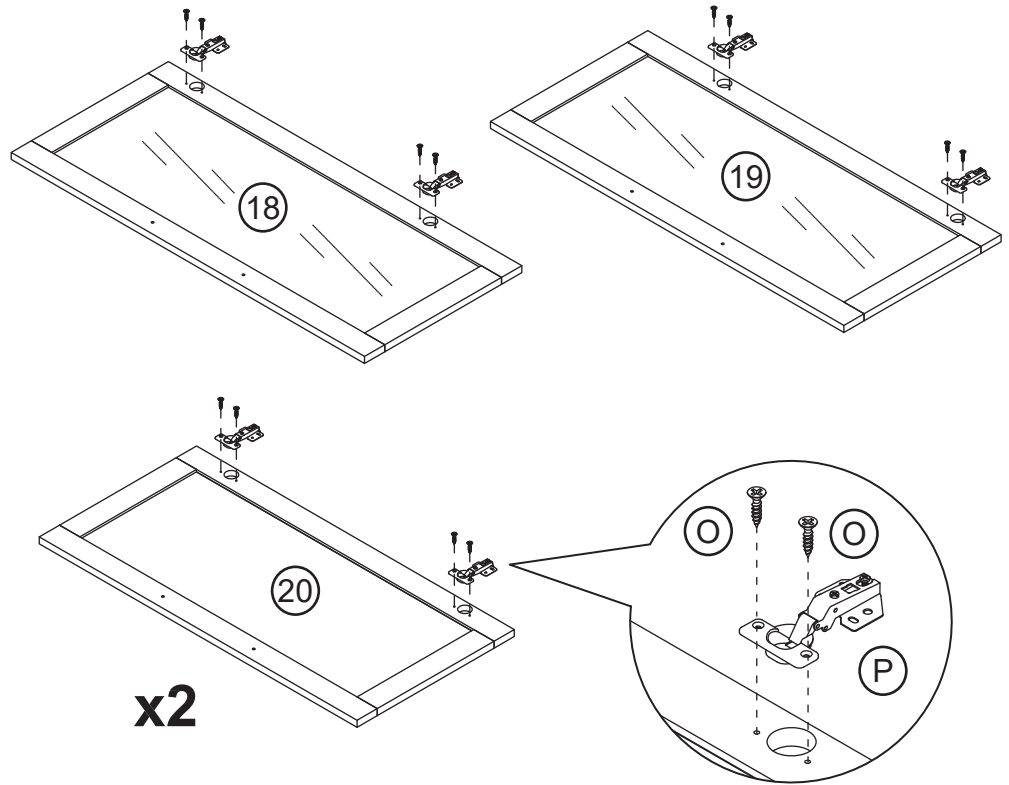
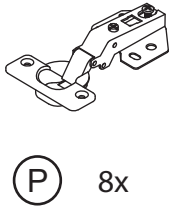
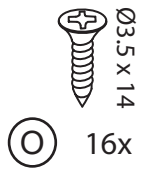
36

Attach sliders to the side of the drawers.



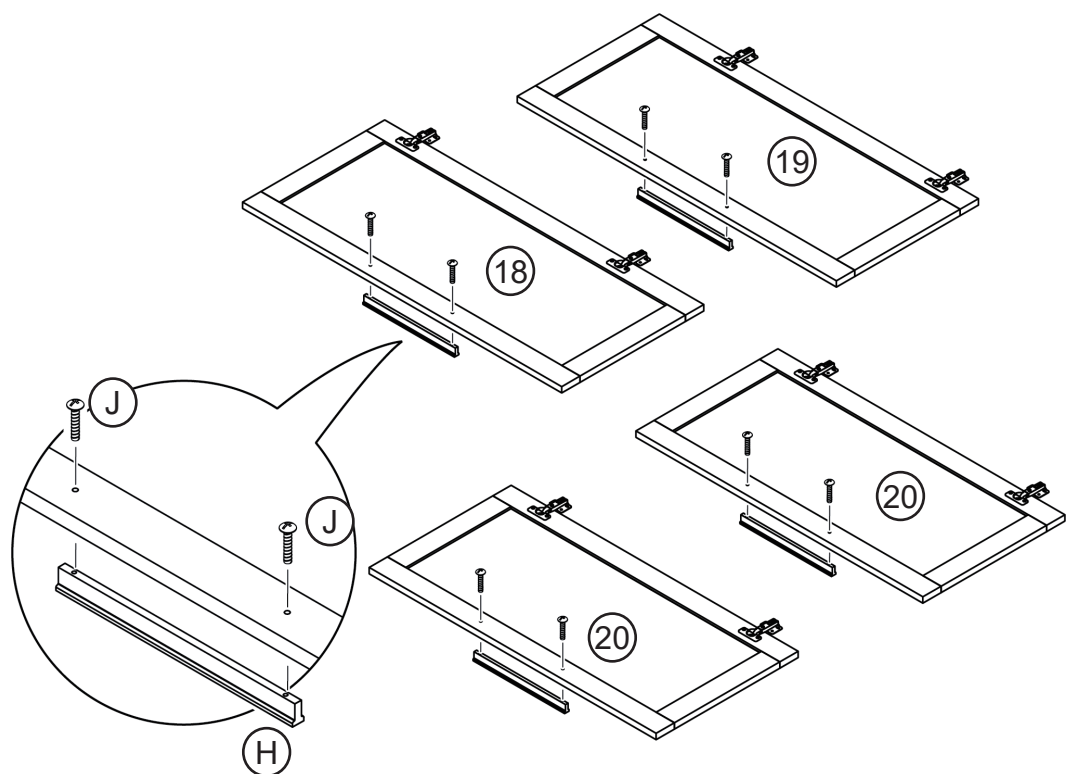
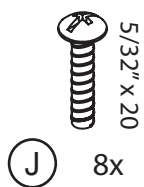
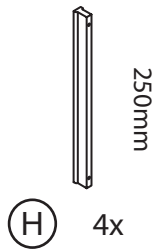
37

Attach door hinges all the cabinet doors (18, 19, 20).



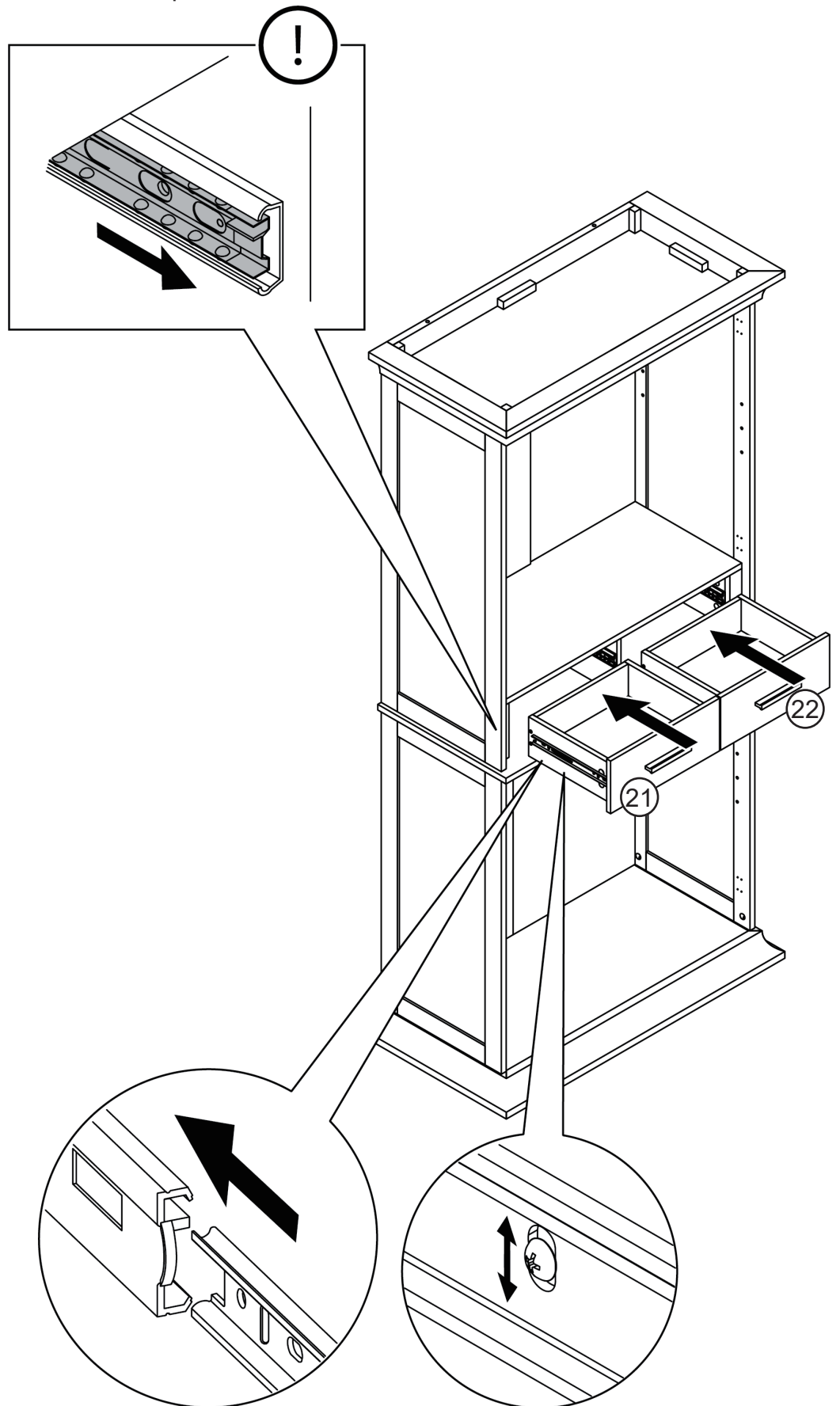
38

Attach door handles to the cabinet doors (18, 19, 20).



Slide drawers into the cabinet drawer shelf.

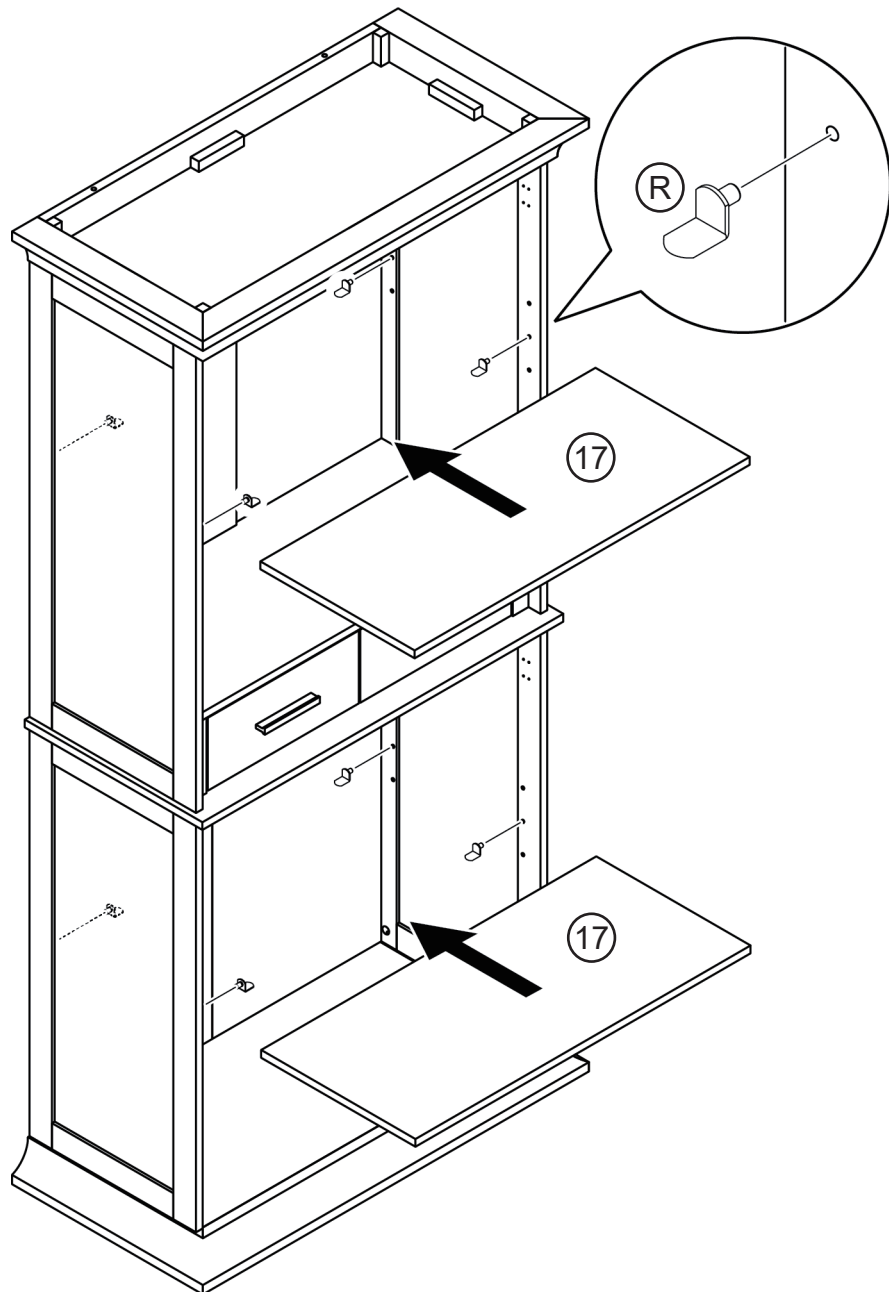
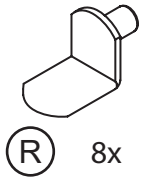
Slide the slider plate to the forward position.



Up and down adjustment by loosening the screws on the slide runner.

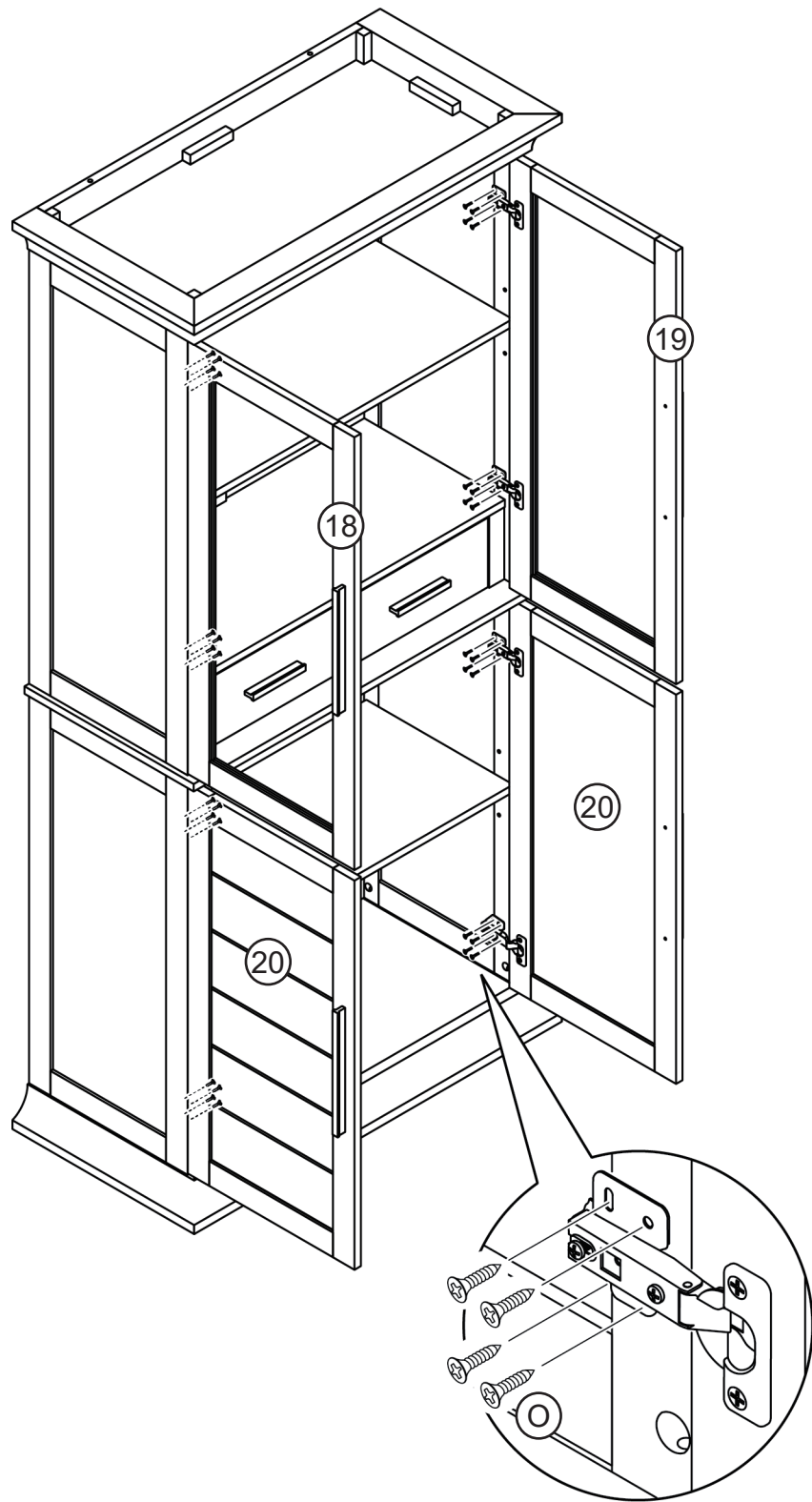
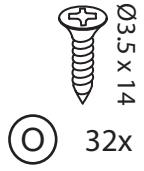
40

Insert shelf pegs into the cabinet and place movable storage shelf panels (17) on top of the pegs.

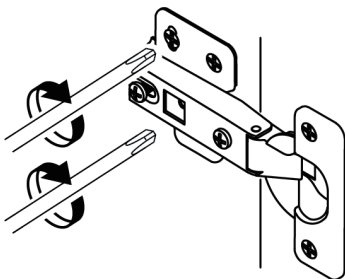
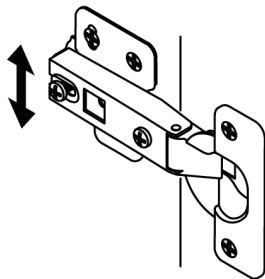
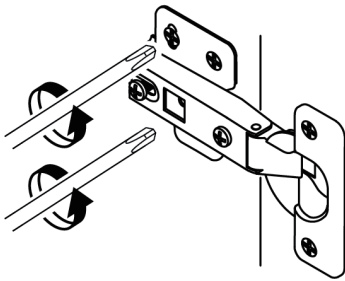
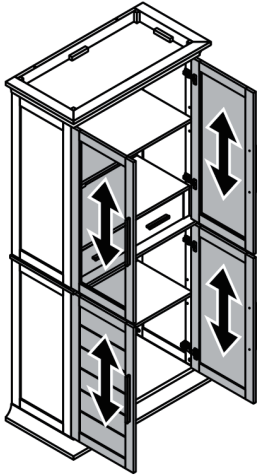


41

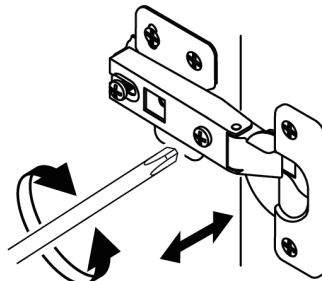
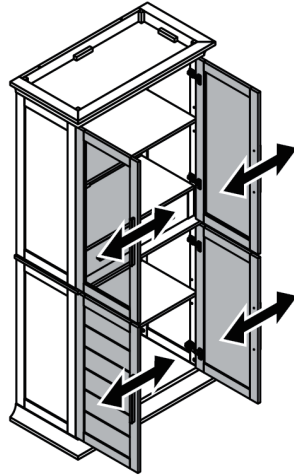
Attach cabinet doors to the cabinet.



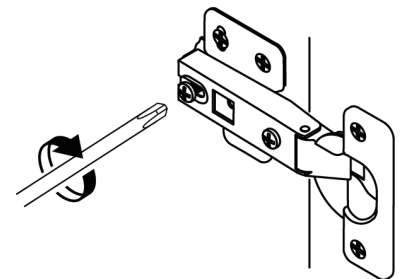
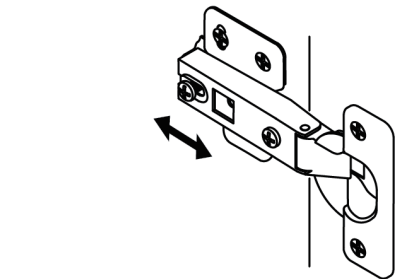
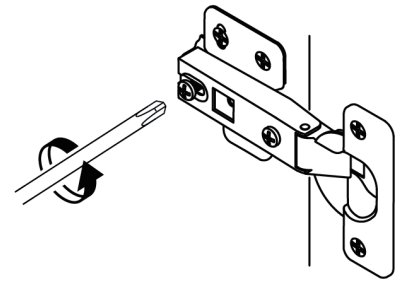
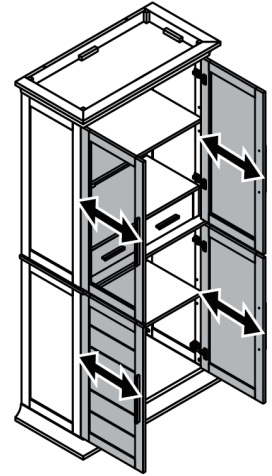
When the clearance of the door is uneven, Adjust the cabinet door according to the figure. If you still have trouble while adjusting the door, please contact us.



Up and down adjustment by loosening the screws on the mounting plate.



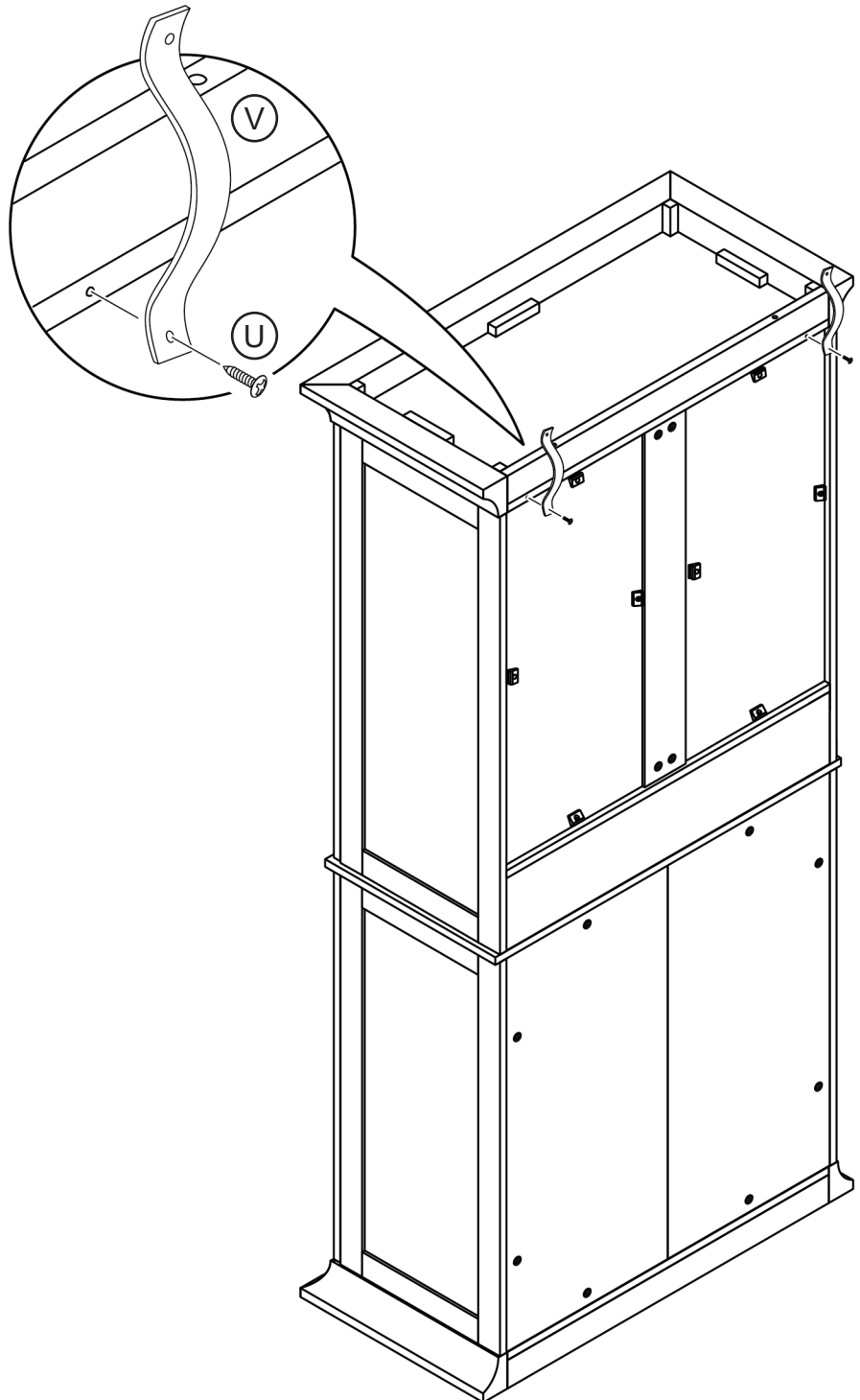
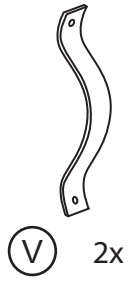
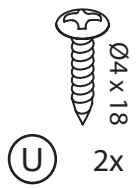
Side to side adjustment using the front adjustment screw on the hinge.



In and out adjustment by loosening the screws on the hinge arm.

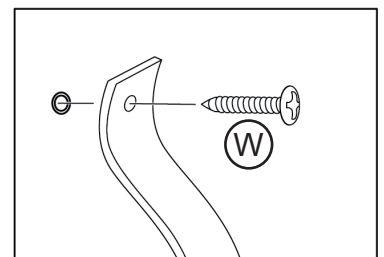
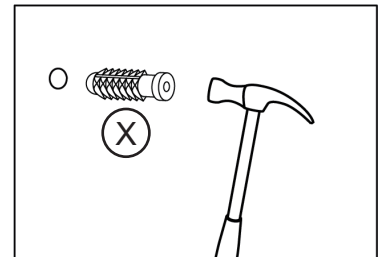
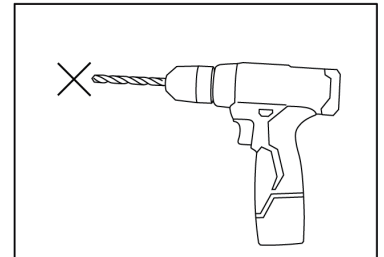
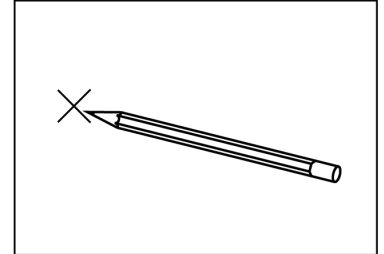
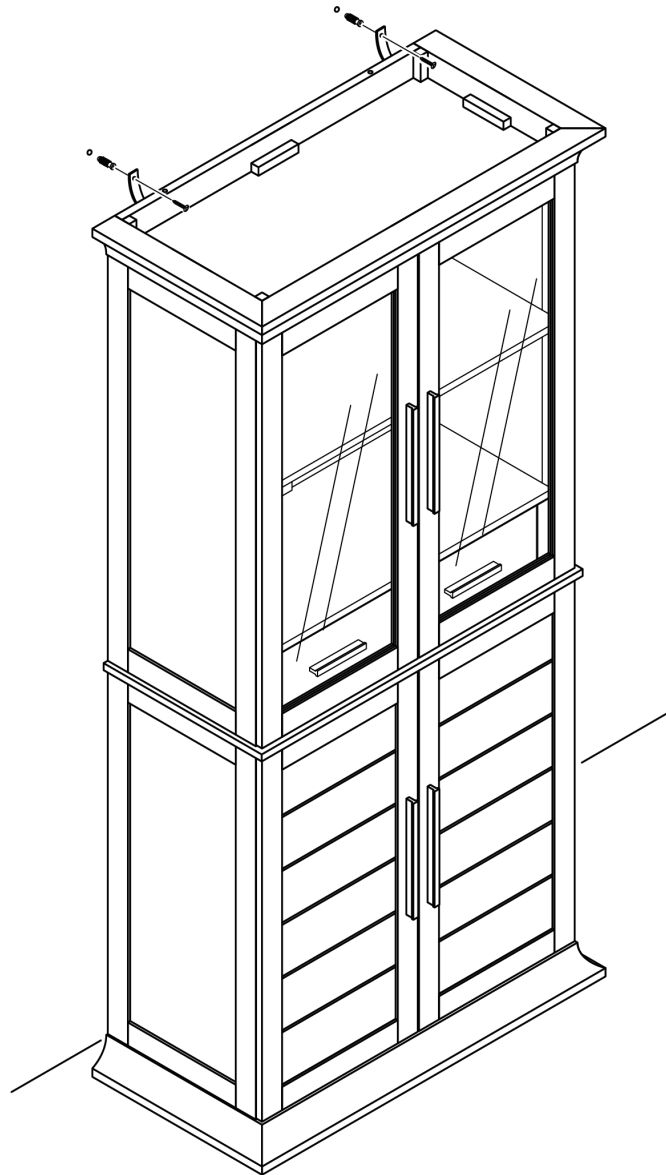
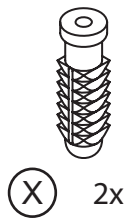
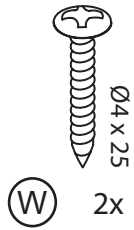
42

Attach anti-tipping straps to the back of the cabinet.



43

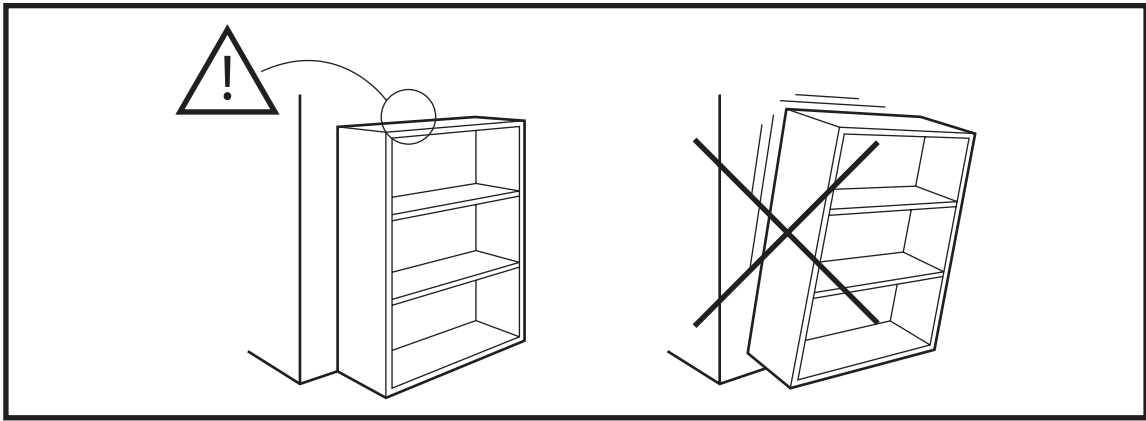
Affix the cabinet to a wall.



Furniture must permanently fixed to the wall stud with included anti-tipping device to prevent the furniture from tipping over.

- Mark drill positions on the wall with a pencil.
- Drill a small hole on the marked position.
- Insert wall anchors into the drilled holes.
- Zip tie the rack to the anti-tipping devices.

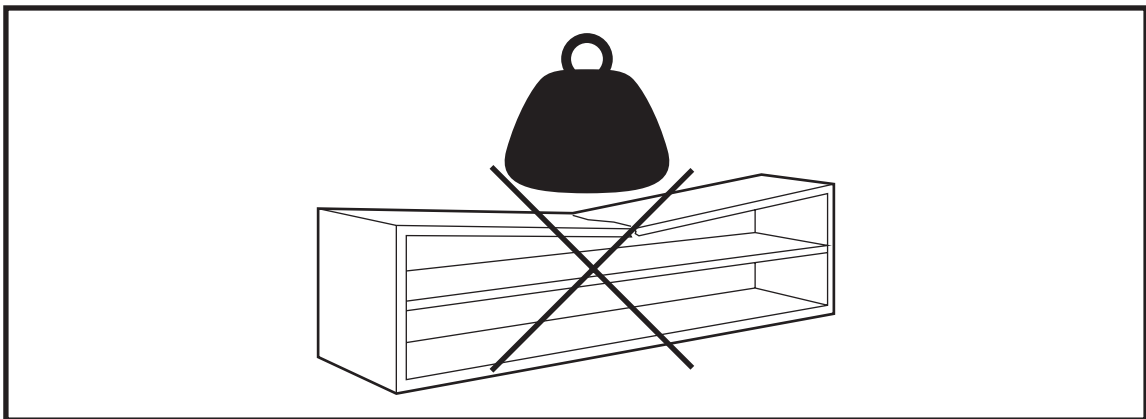
YOU'RE FINISHED!



Warning

Serious or fatal crushing injuries may occur if the furniture tip-over. Furniture must permanently affixed to the wall with included anti-tipping device in order to prevent the furniture from tipping over.

Different wall materials requires different types of wall anchors or screws. Use a suitable wall anchors or screws for your specific wall in order to secure the stability and load bearing capacity of the furniture. If you are uncertain about which type of device to use, please contact us or your local hardware store.



Warning

Only place items on top of the product if they meet the recommended size and weight limits.

Climbing on, stepping on, or placing overweighted objects on the product may cause property damage and/or injuries.

Items placed onto this product must be resting on a support surface without hanging over the edges.

BELLEZE[®]

FURNITURE CARE AND MAINTENANCE

Medium - Density Fiberboard

Thank you for your purchase. We want your item to last as long as possible. To ensure the product gives you years of longevity, please follow the recommendations in this care and maintenance guide.



MAINTENANCE

- Tighten all bolts and screws again within the first 2 weeks of assembly.
- Check the tightness of all bolts every 2 months and tighten them if necessary.



CLEANING

- Clean the surface of the MDF (medium - density fiberboard) with a lightly dampened cloth.
- A small amount of mild soap can be used if necessary.
- Dry the surface immediately after cleaning.

- ⚠ DO NOT use bleach or alcohol to clean the surface.
- ⚠ DO NOT apply wood treatment on parts made with MDF.

MDF will swell and distort when exposed to water damage. Make sure to dry the furniture immediately after cleaning.

⚠ WARNING

The manufacturer and seller are not responsible for any and all liability relating to personal injury, property damage or losses, whether direct, indirect, or incidental, resulting from the incorrect attachment, improper use, inadequate maintenance, unapproved modification or neglect of this product.

© All copyright of this document belongs to BELLEZE.
This document may not be printed, translated, reproduced, or distributed in whole or in part without written permission from BELLEZE.

WARRANTY

BELLEZE products come with a 1-year warranty from the date of delivery.
Register your product on our website to enjoy our limited lifetime warranty!



AFTER-SALE SERVICE



Encounter any difficulties or missing parts?



Contact us at **1-800-682-6376** or email us at **support@belleze.com**



We will send you replacement.



Hassle free!
No need to worry about repackaging and sending your item back.

We hope you enjoy your new BELLEZE furniture!
Share your photos on Instagram and tag us: @bellezefurniture.

FOLLOW US:



@bellezefurniture

CONTACT INFO:

support@belleze.com
1-800-682-6376

BELLEZE®