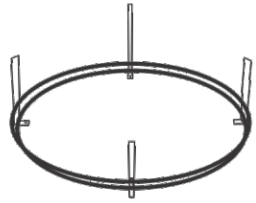

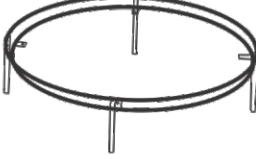
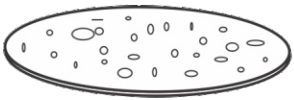



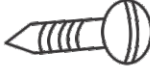

ASSEMBLY INSTRUCTIONS

SKU# CVFNR5114

PARTS

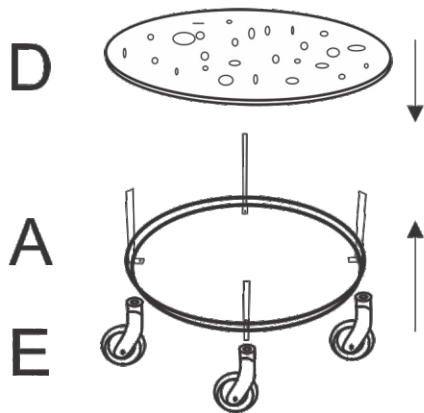
S.NO.	DESCRIPTION	QNT
A		1
B		1
C		1
D		3

HARDWARE

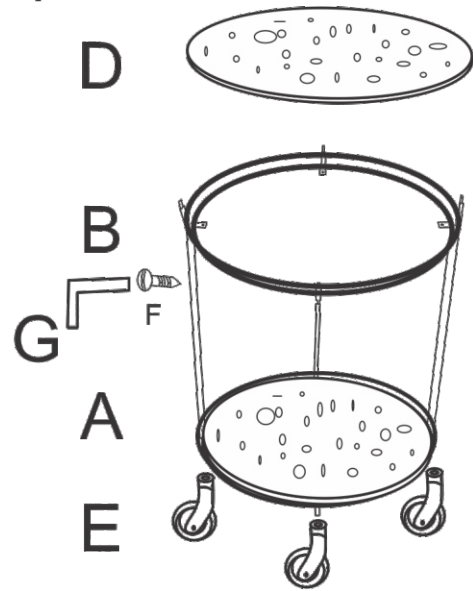
E		4
F		8
G		1

MADE IN INDIA

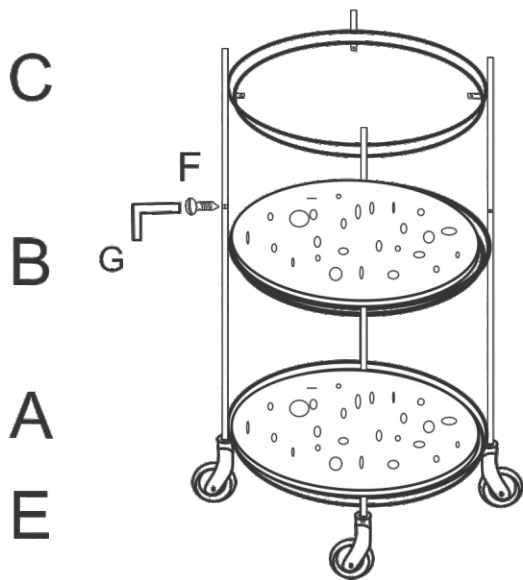
Step 1



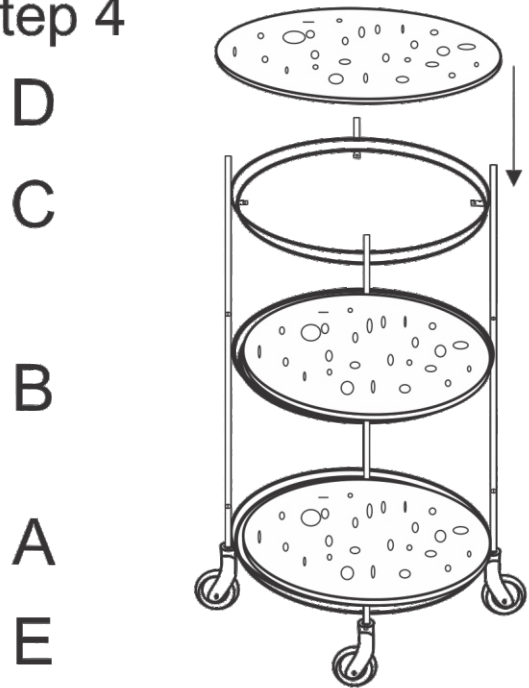
Step 2



Step 3



Step 4



COMPLETED

