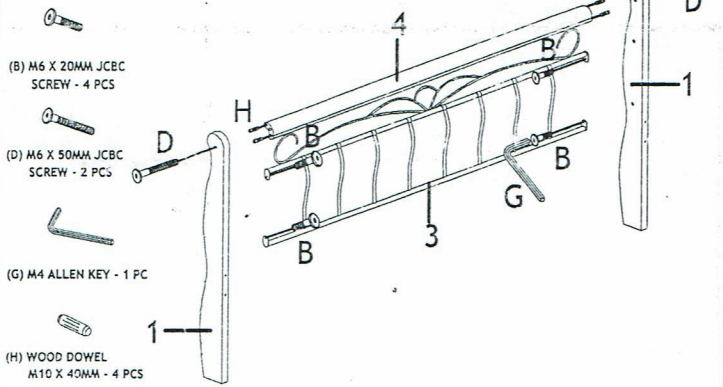


ASSEMBLY INSTRUCTION

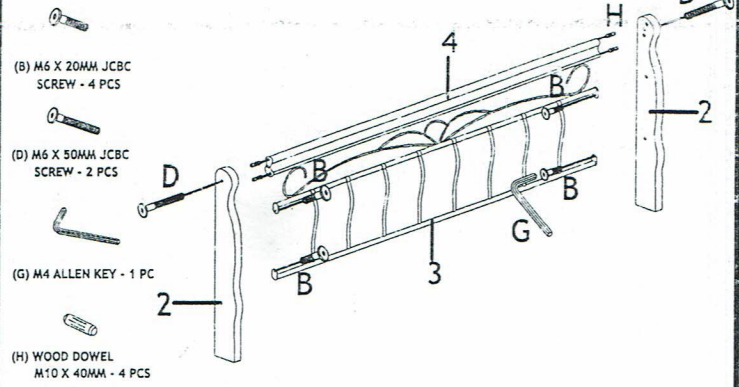
QUEEN BED - 4 PCS WOODEN SUPPORT LEGS

Before you begin, please follow Assembly Instruction carefully. Follow them step by step.

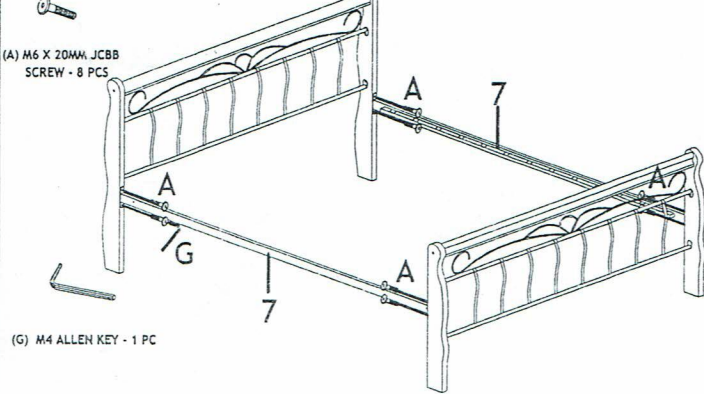
STEP 1



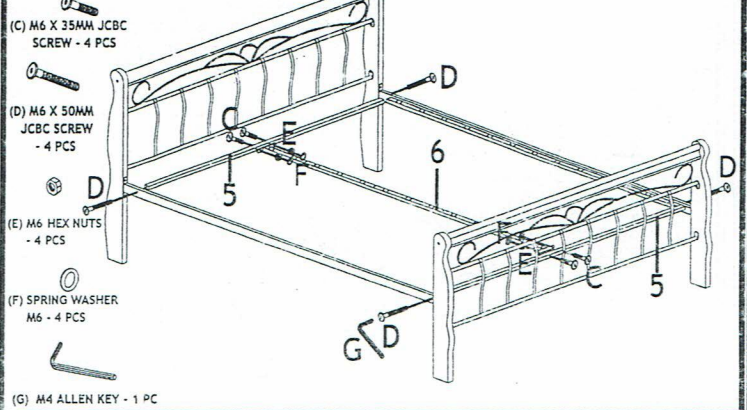
STEP 2



STEP 3



STEP 4

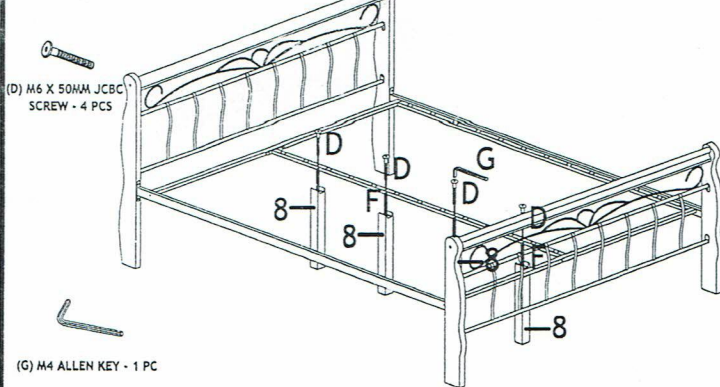


ASSEMBLY INSTRUCTION

QUEEN BED - 4 PCS WOODEN SUPPORT LEGS

Before you begin, please follow Assembly Instruction carefully. Follow them step by step.

STEP 5



PART LIST

1 HEAD POST X 2 PCS	2 FOOT POST X 2 PCS	6 CENTER RAIL X 1PC
3 HEADBOARD/FOOTBOARD X 2 PCS	4 TOP RAIL X 2 PCS	7 METAL SIDE RAIL (WITH 26 HOLES) X 2 PCS
5 MIDDLE RAIL X 2 PCS	8 WOODEN CENTER SUPPORT LEGS X 4 PCS	

HARDWARE LIST

 (A) M6 X 20MM JCBB SCREW - 8 PCS	 (D) M6 X 50MM JCBC SCREW - 12 PCS
 (B) M6 X 20MM JCBC SCREW - 8 PCS	 (E) M6 HEX NUTS - 4 PCS
 (C) M6 X 35MM JCBC SCREW - 4 PCS	 (F) SPRING WASHER M6 X 4 PCS
 (G) M4 ALLEN KEY - 1 PC	 (H) WOOD DOWEL M10MM X 40MM - 8 PCS

