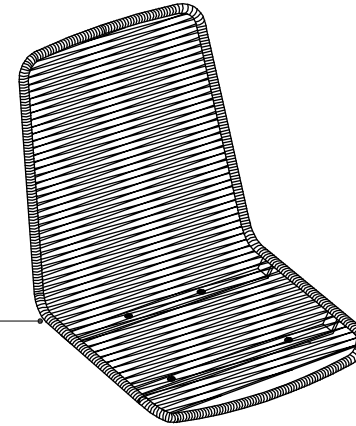


ASSEMBLY INSTRUCTION

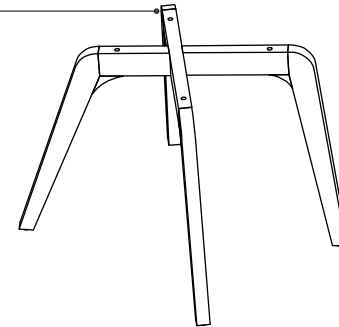
PARTS


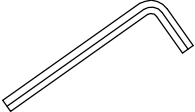


① x 1



② x 1



HARDWARE	TOOL
 <p data-bbox="898 1385 1025 1406">M6x20 mm</p> <p data-bbox="891 1441 1025 1489">Ⓐ x 4</p>	 <p data-bbox="1218 1441 1346 1489">Ⓑ x 1</p>

ASSEMBLY INSTRUCTION

