

Model : Z0199003W-2

Z0199003L-2

As this item contains many parts, please read the installation instruction carefully before installation and complete the installation with the cooperation of your partner. Please use tools properly and carefully. If you have any questions about the product and installation, please contact us.

zooged@yeah.net

Our professional after-sales team will serve you online all day.

Before You Start



Read through each step carefully and follow the proper order



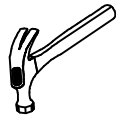
Separate and count all your parts and hardware



Give yourself enough room for the assembly process



Have the following tools: Flat Head Screwdriver, #2 Phillips Head Screwdriver and Hammer



Do not use power tools to assemble your furniture. Power tools may strip or damage the parts.

Helpful Hints

PEOPLE NEEDED FOR ASSEMBLY: 1-2

- Open your item in the area you plan to keep it to avoid excessive heavy lifting.



- Identify, sort and count the parts before attempting assembly.

- Compression dowels are lightly tapped in with a hammer.



- Slides are labeled with an **R** (right) and **L** (left) for proper placement.



- Make sure to always face the point on the top of the Cam Lock towards the outer edge.

- If there is a back panel in the package, please install it to make sure your unit is complete and sturdy.



- Please fix all the screws provided for the back panel which can enhance product stability. If it is difficult to fix it when tightening, it can be fixed with the help of a hammer and then tightened.



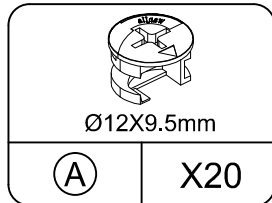
- Do NOT use harsh chemicals or abrasive cleaners on this item.



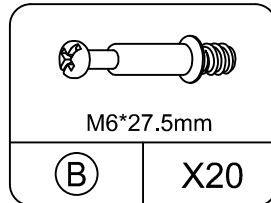
- Never push, pull, or drag your furniture.

Part List

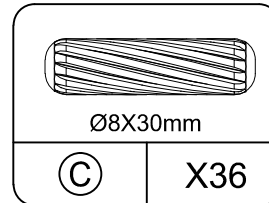
Not actual size



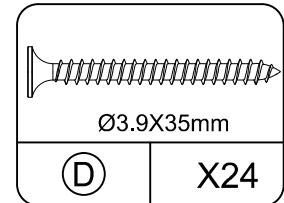
CAM LOCK
spare:2



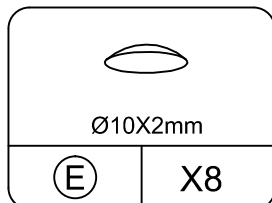
CAM BOLT
spare:2



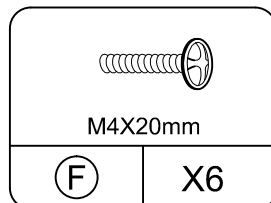
WOODEN DOWEL
spare:3



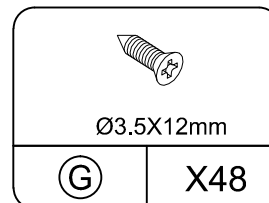
SCREW
spare:2



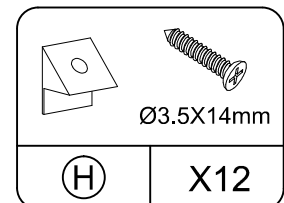
CRASH PAD
spare:1



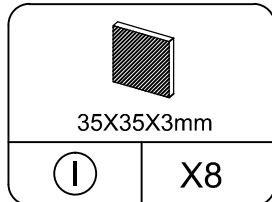
BOLT
spare:1



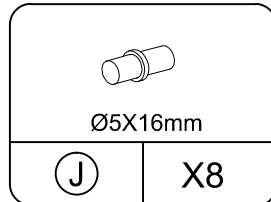
SCREW
spare:4



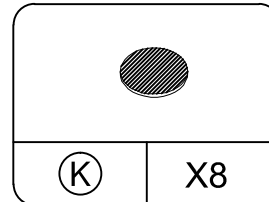
PLASTIC WEDGE
spare:1



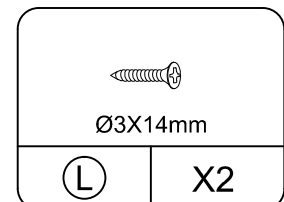
FOOTPADS



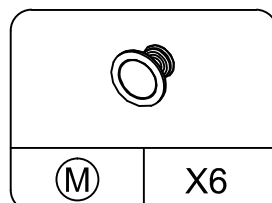
SHELF SUPPORT PIN
spare:1



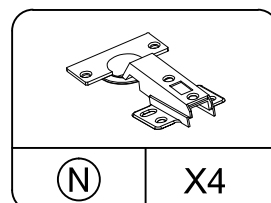
Sticker
spare:1



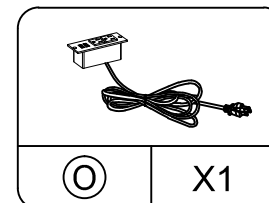
SCREW
spare:1



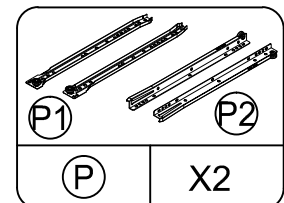
HANDLE



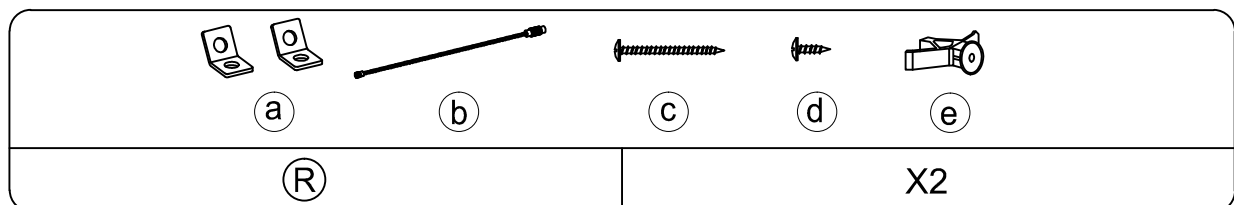
HIMGE



USB Interface

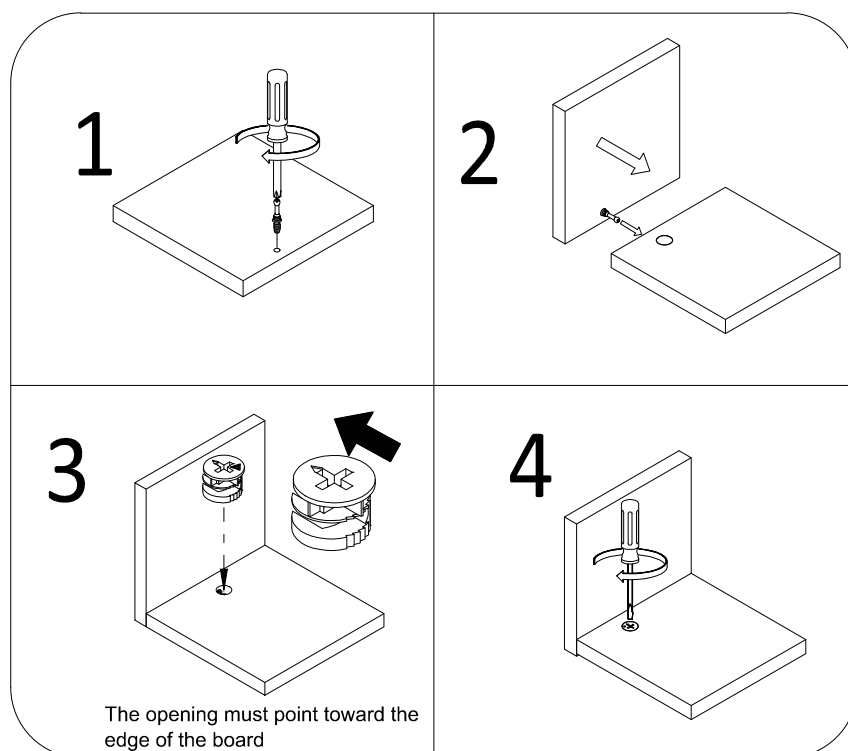


12" METAL SLIDE



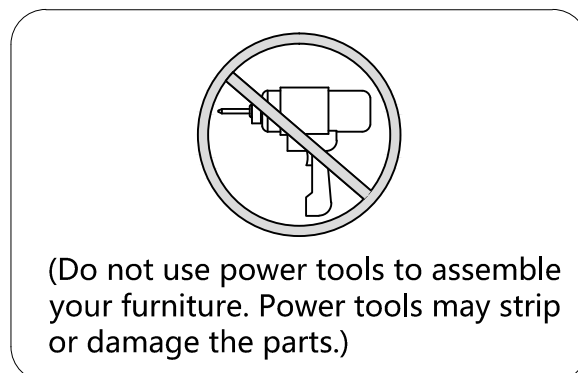
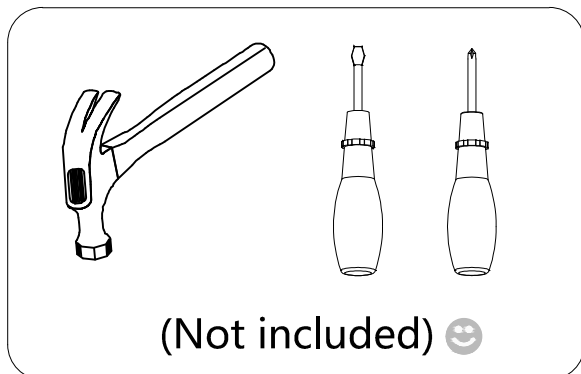
Tipping restraint hardware kit(inside plastic bag)

Cam Lock Fastening System



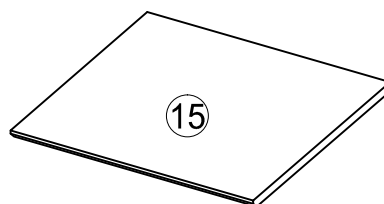
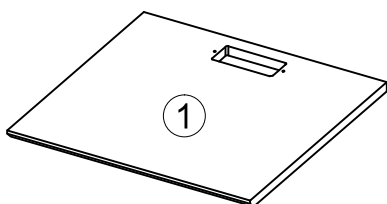
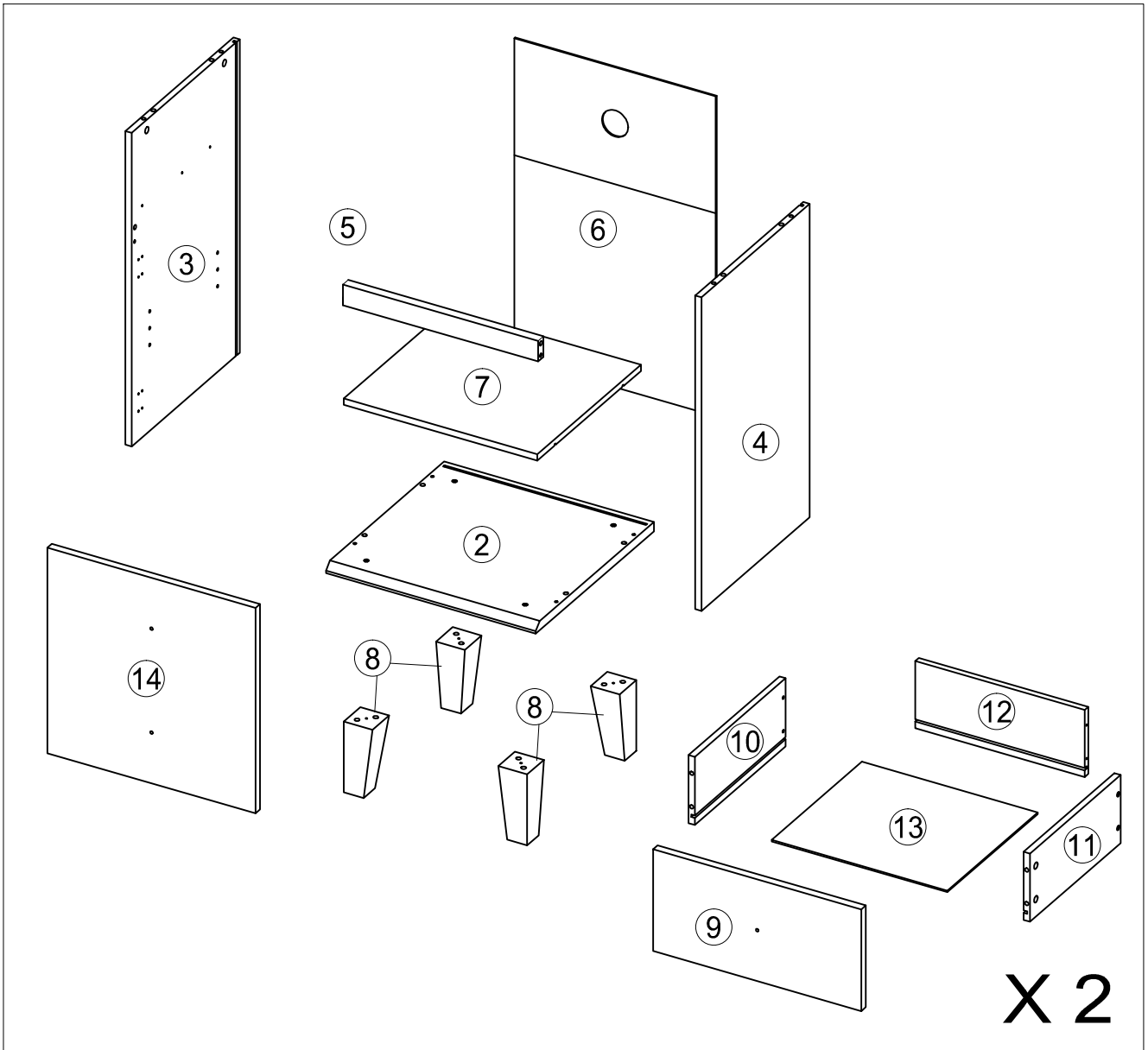
Insert the cam bolt into the hole first, then insert the cam lock and lock it.

Tools Required

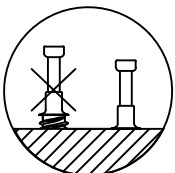
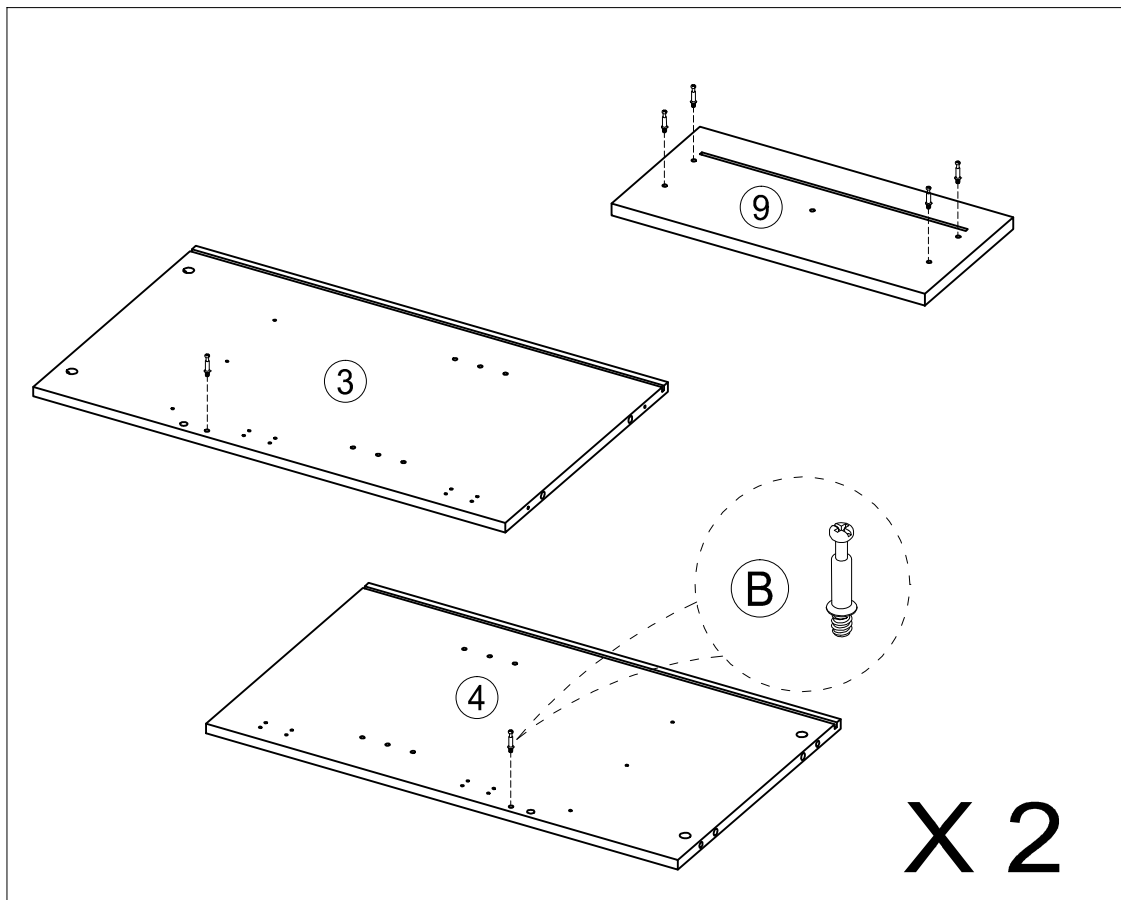
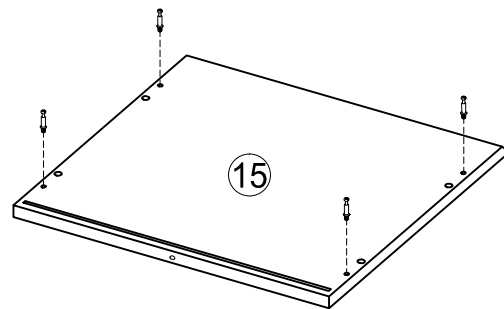
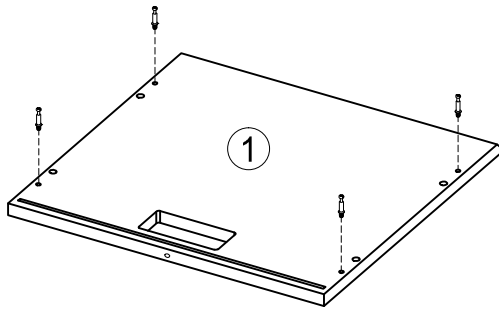
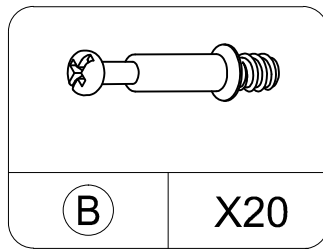
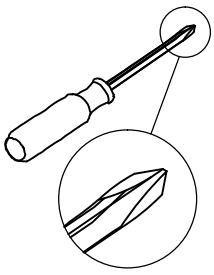


Board Identification

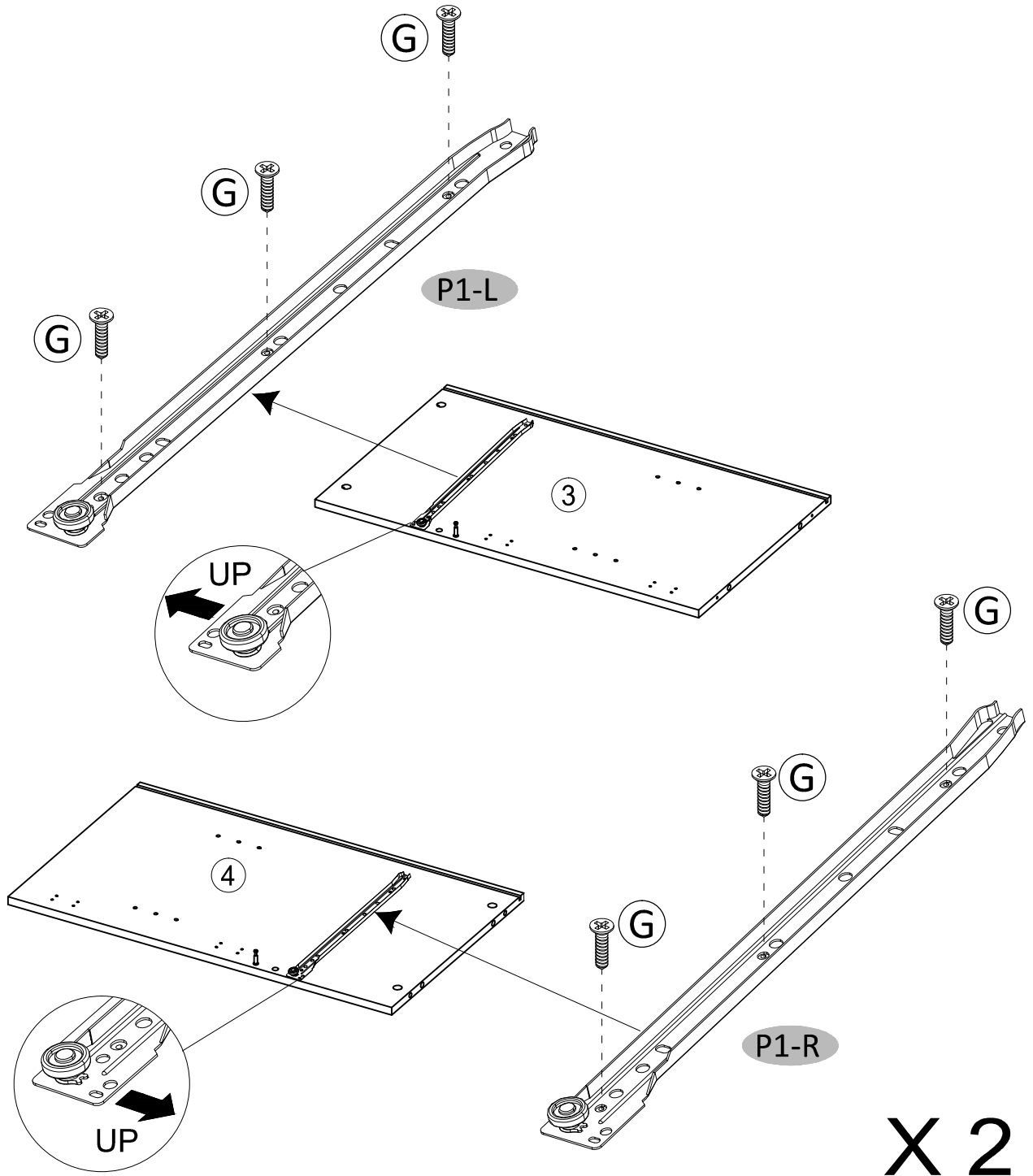
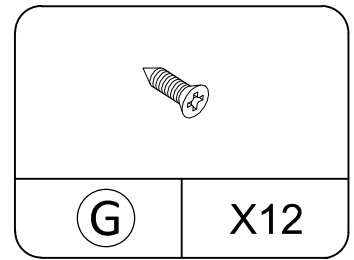
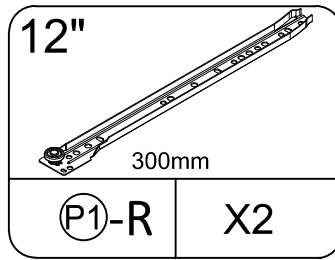
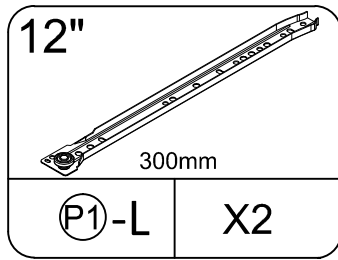
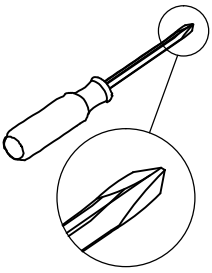
Not actual size



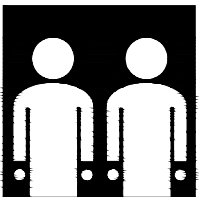
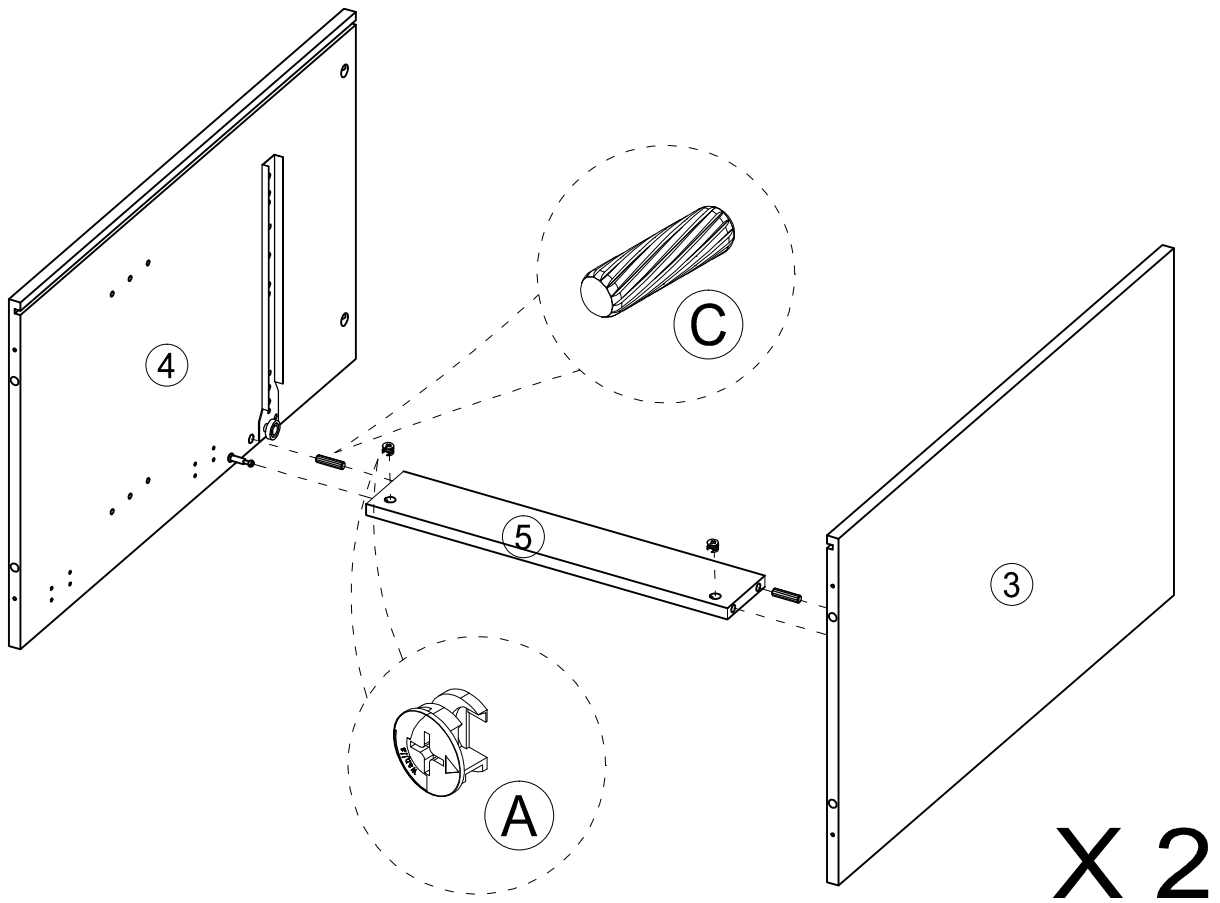
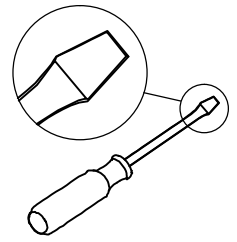
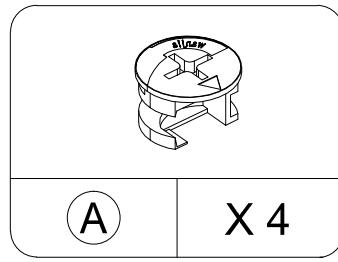
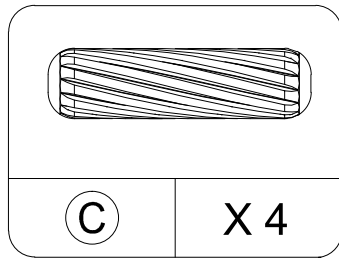
STEP 1



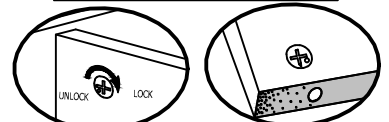
STEP 2



STEP 3

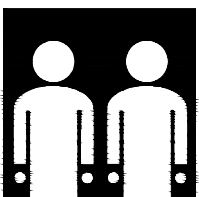
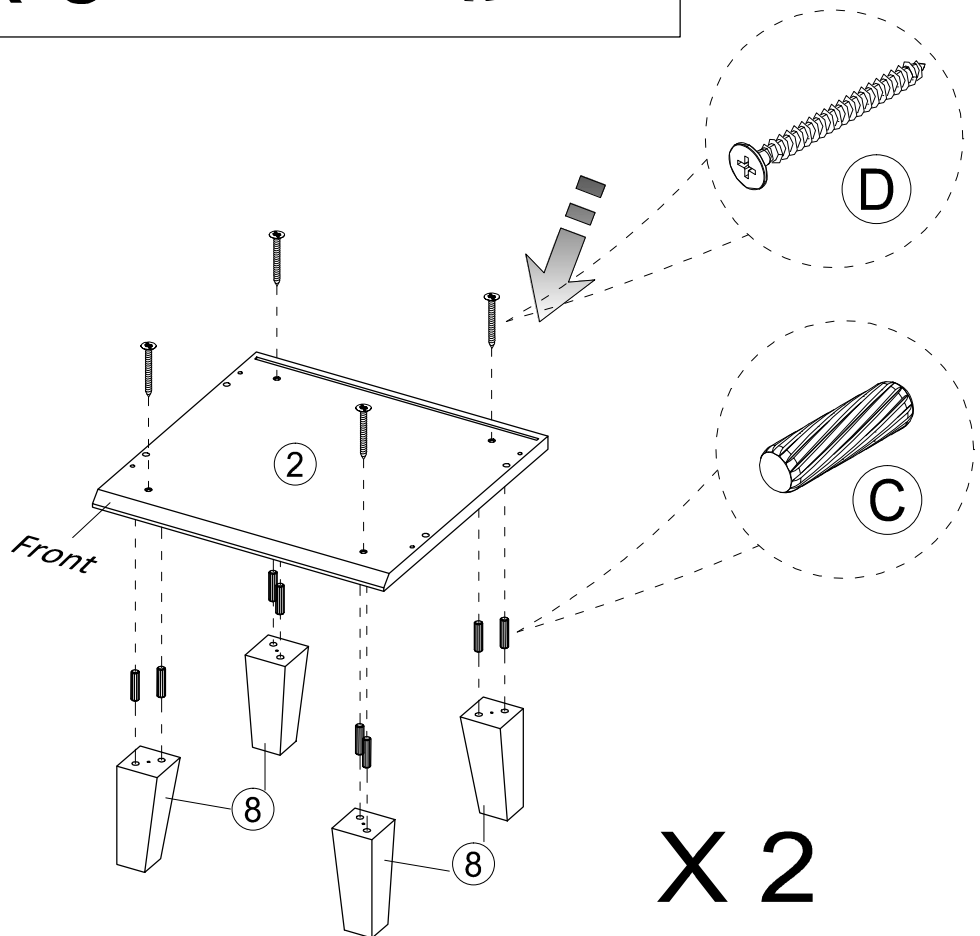
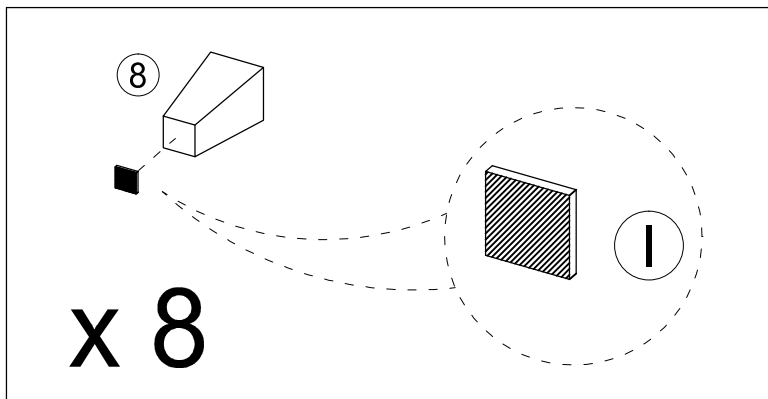
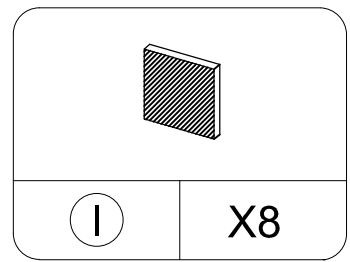
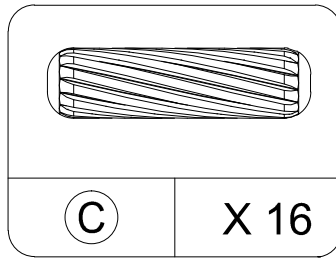
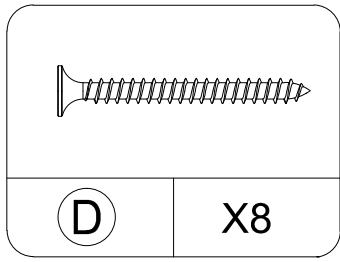
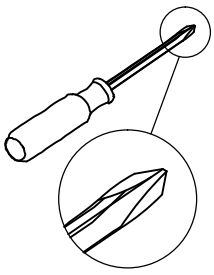


Insert the cam bolt into the hole first, then insert the cam lock and lock it.

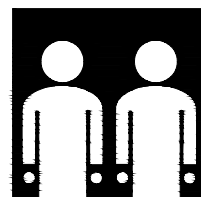
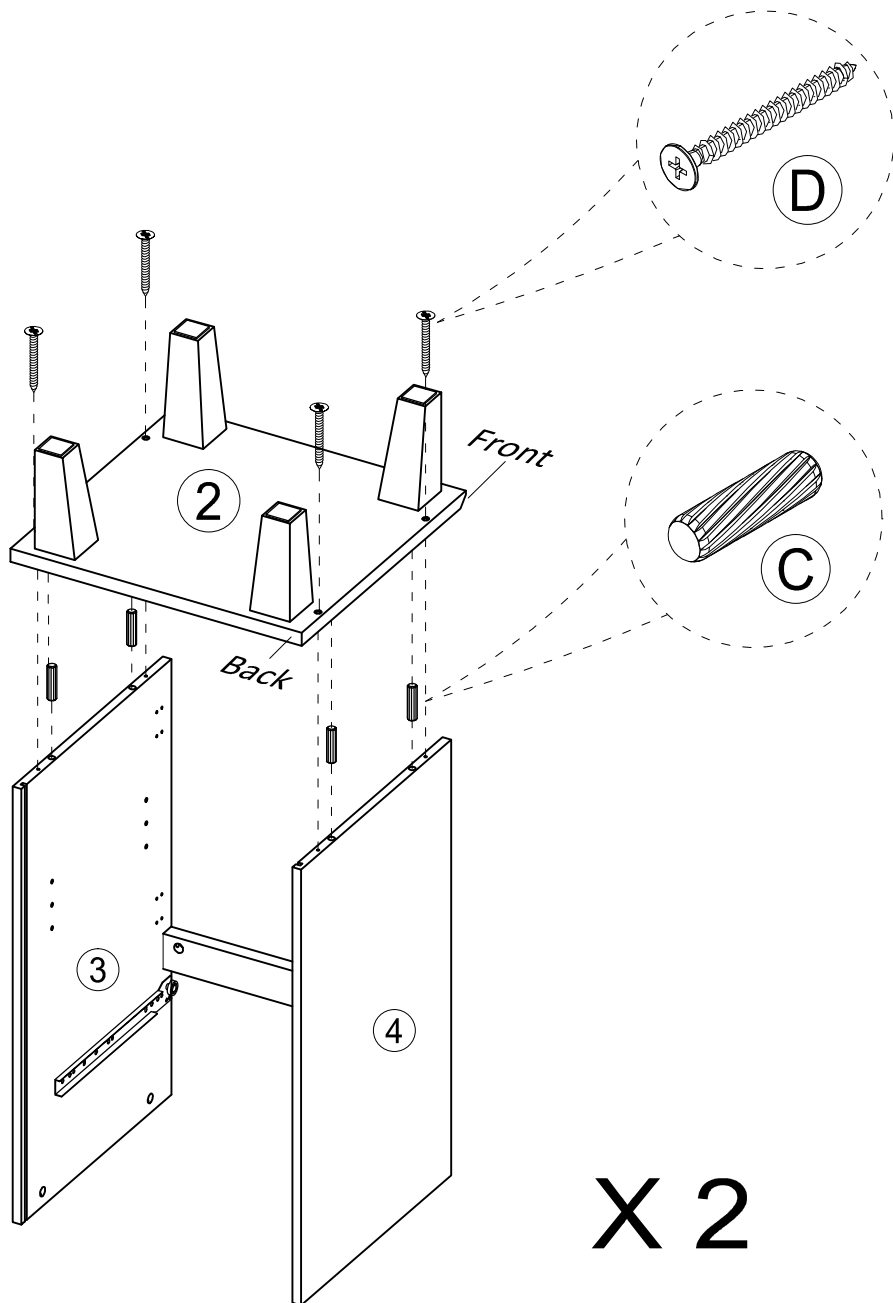
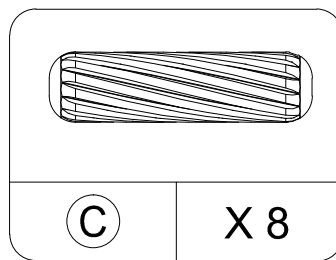
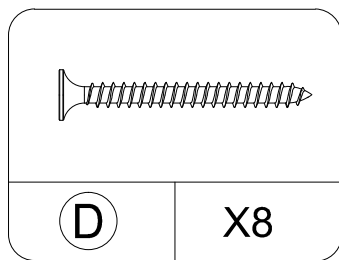
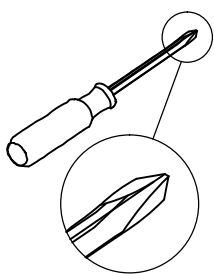


Proper orientation of CAM LOCK

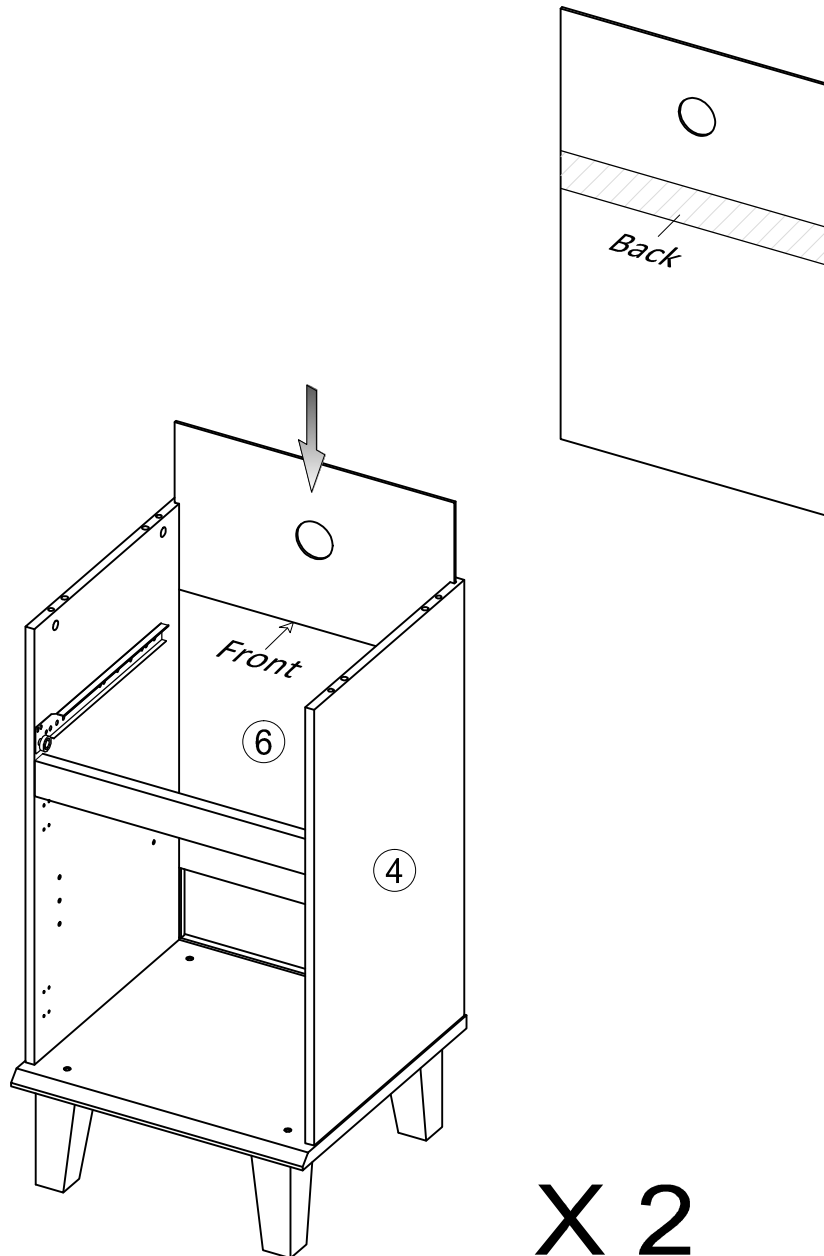
STEP 4



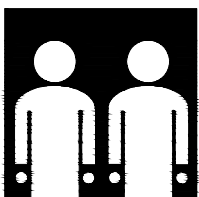
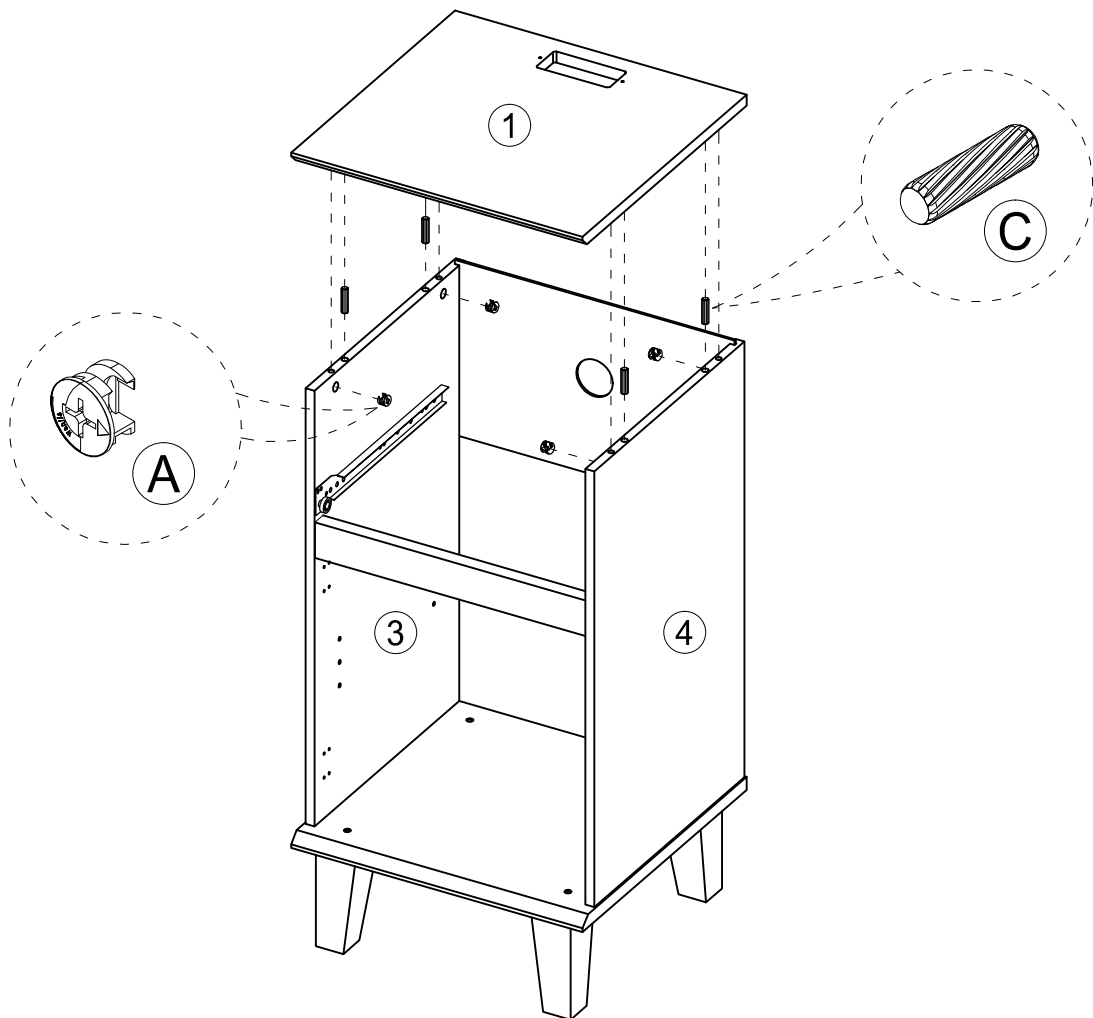
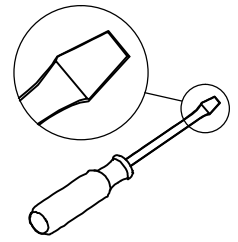
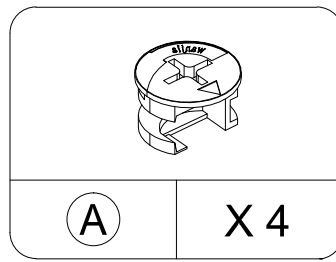
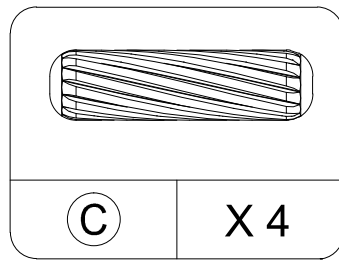
STEP 5



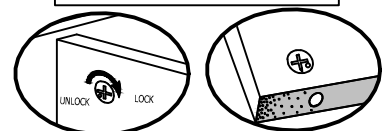
STEP 6



STEP 7

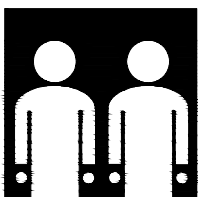
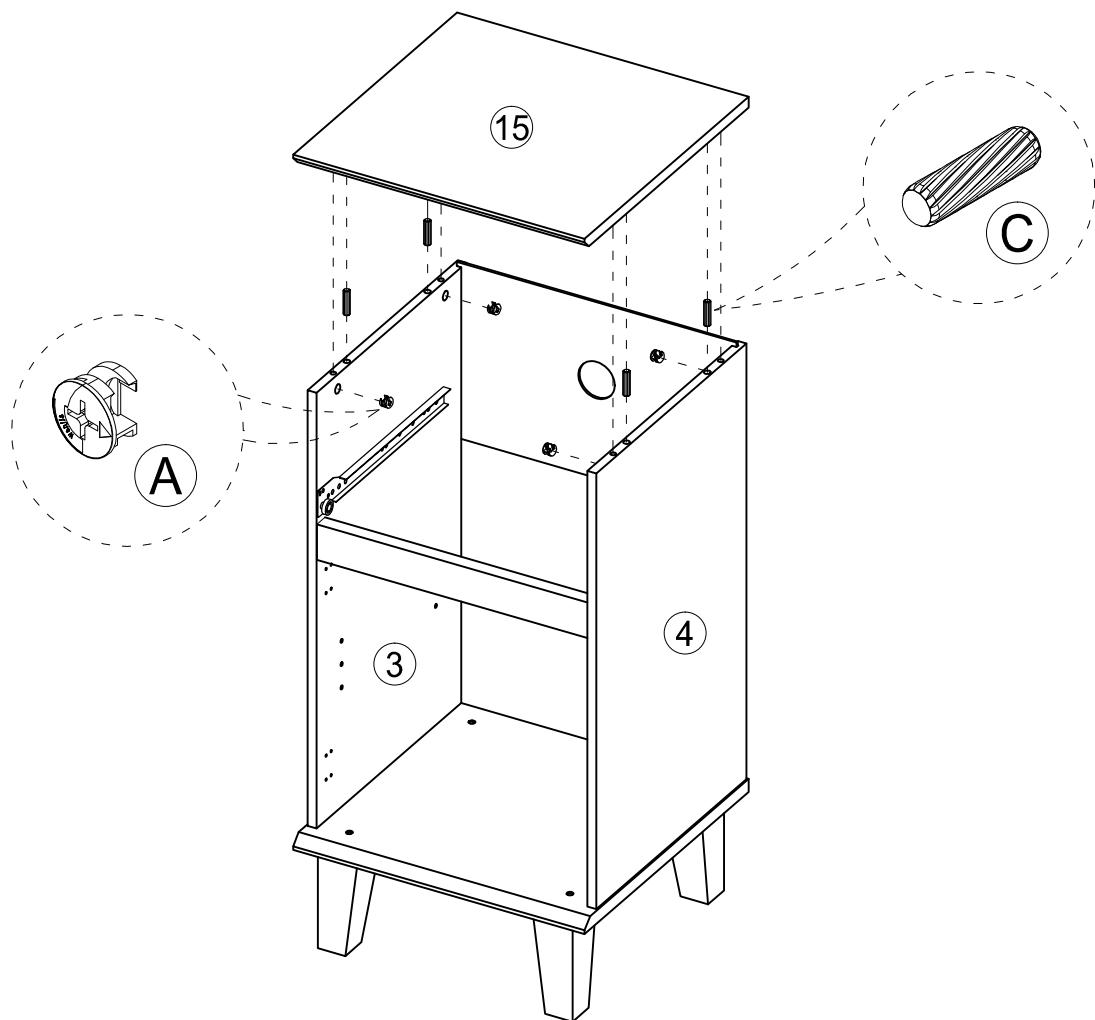
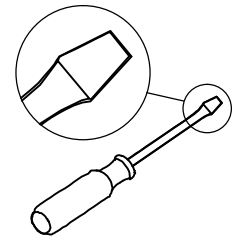
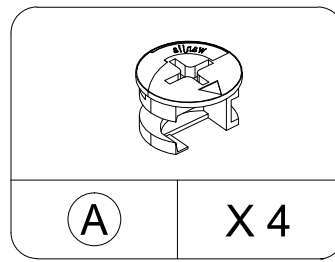
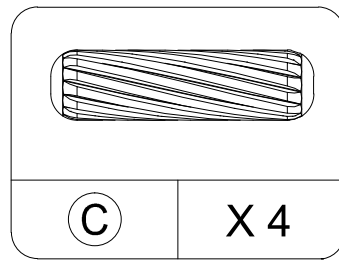


Insert the cam bolt into the hole first, then insert the cam lock and lock it.

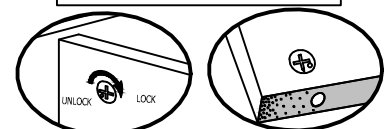


Proper orientation of CAM LOCK

STEP 8

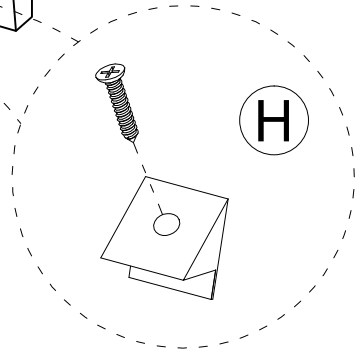
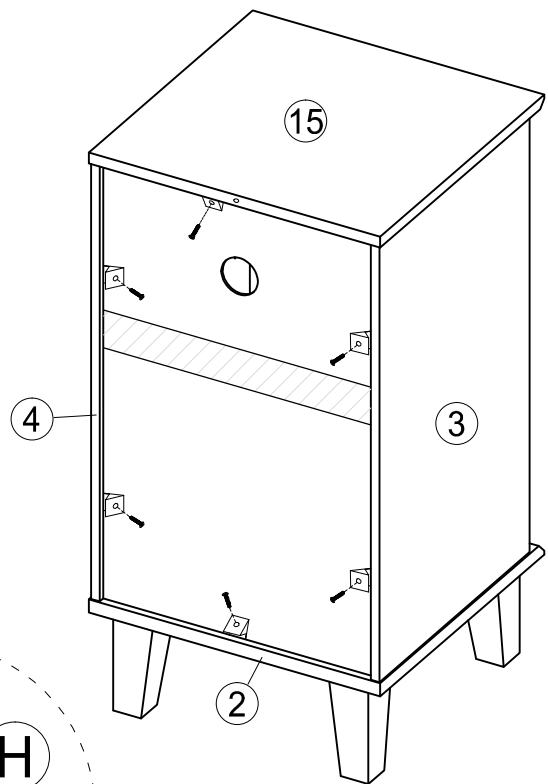
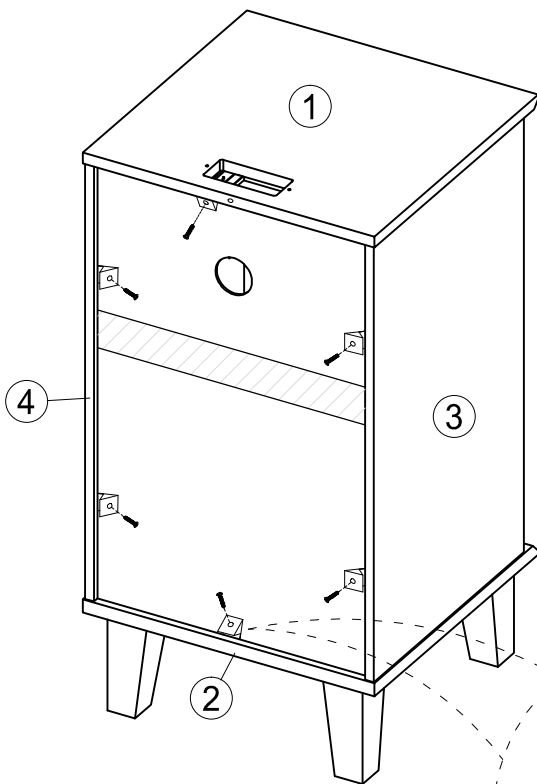
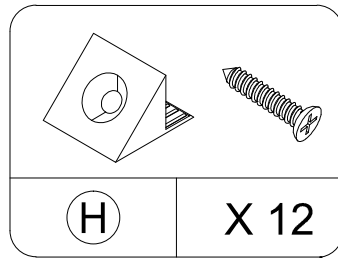
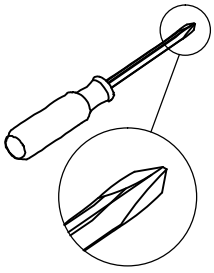


Insert the cam bolt into the hole first, then insert the cam lock and lock it.

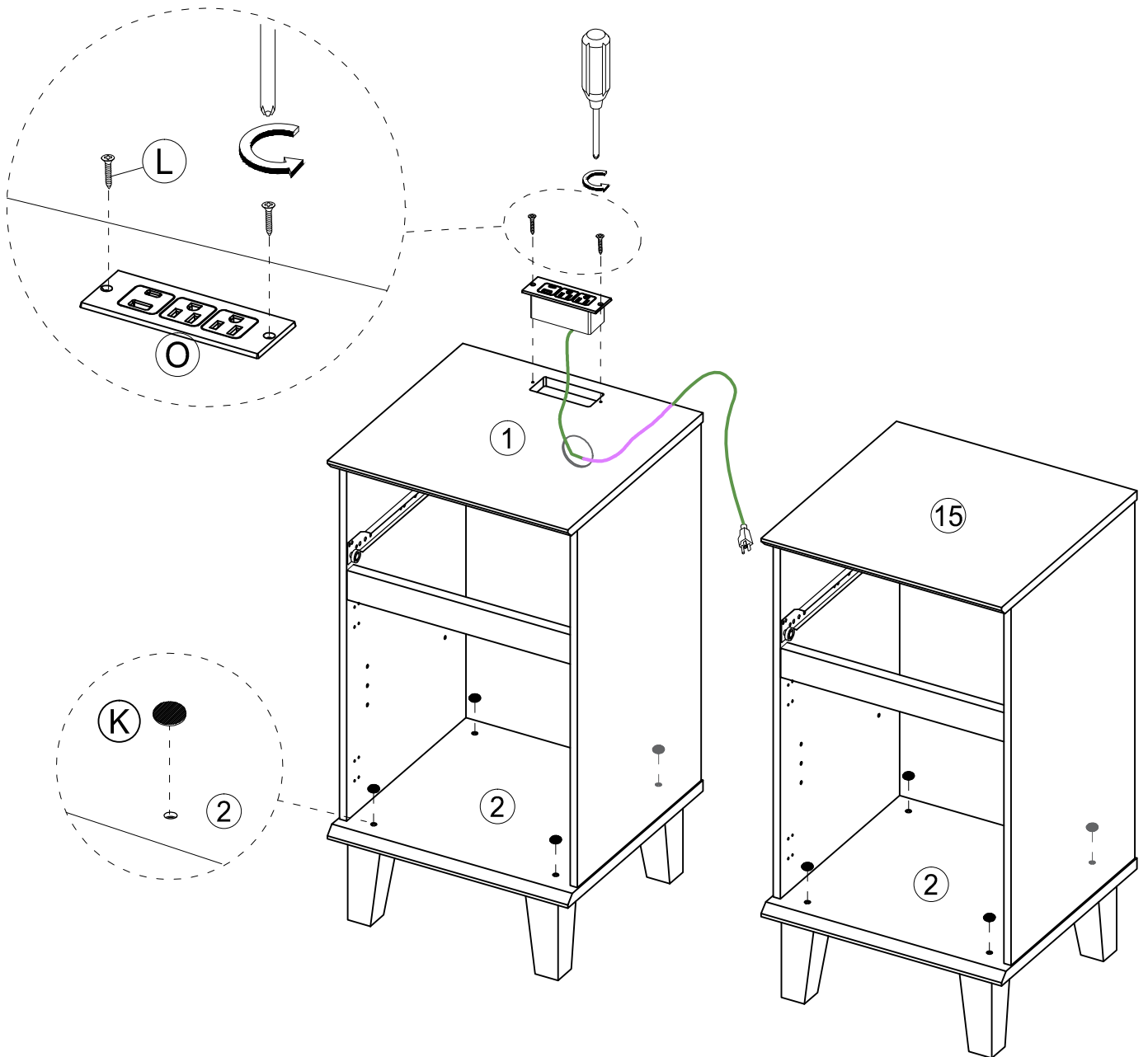
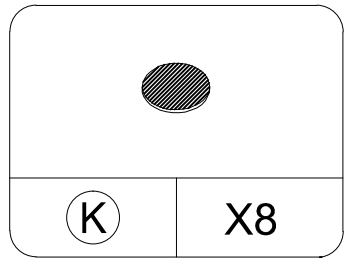
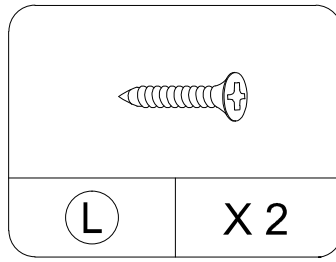
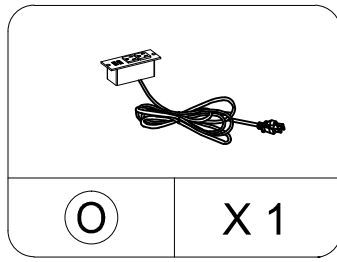
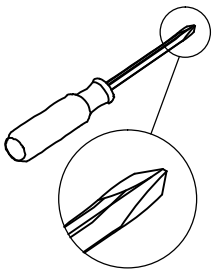


Proper orientation of CAM LOCK

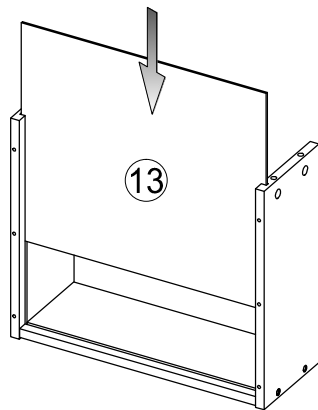
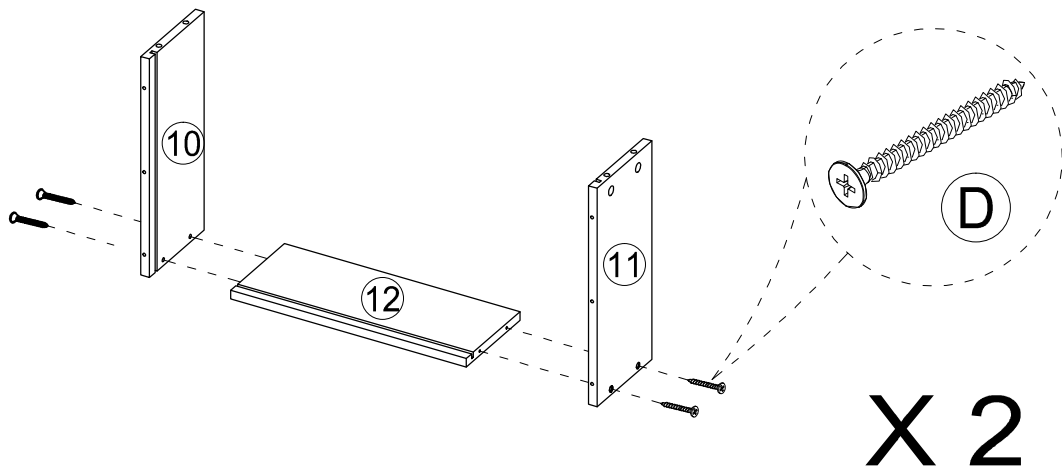
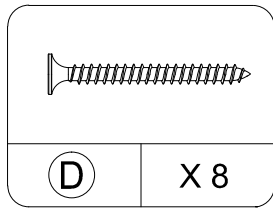
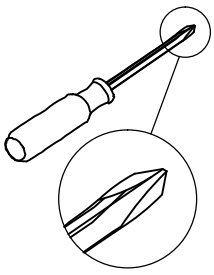
STEP 9



STEP 10

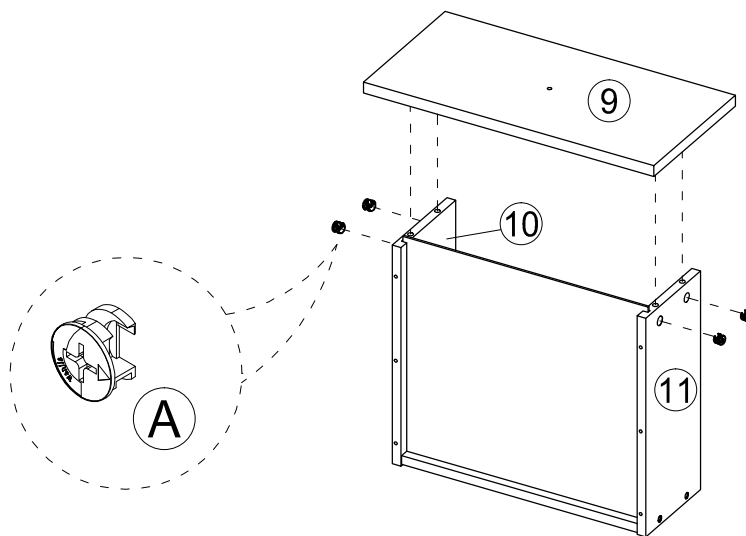
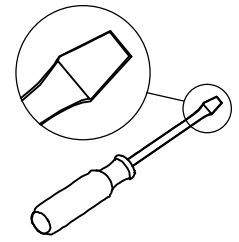
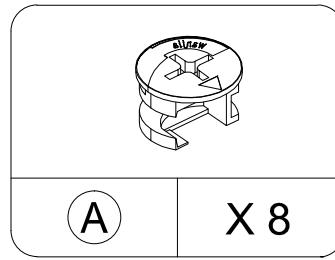


STEP 11

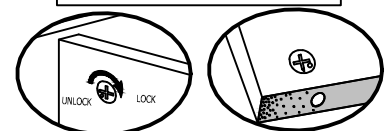


X 2

STEP12

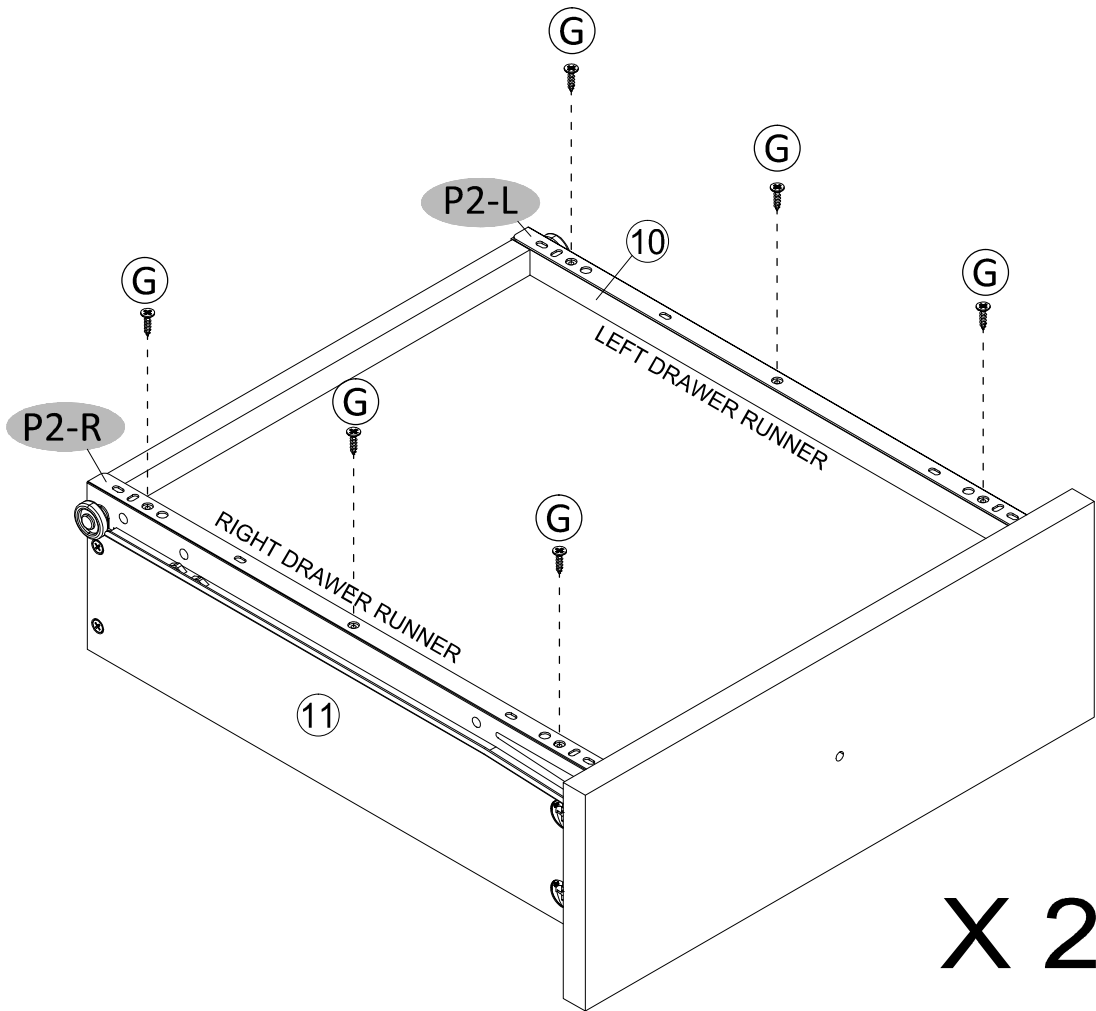
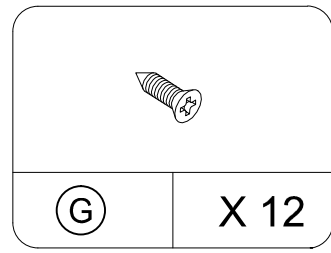
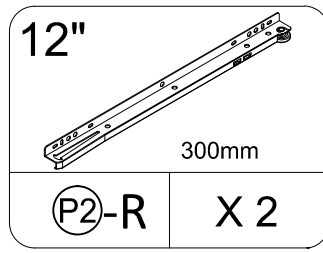
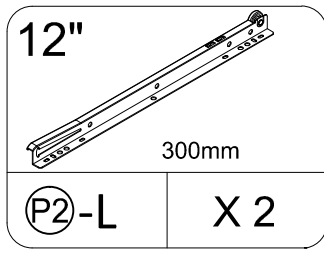
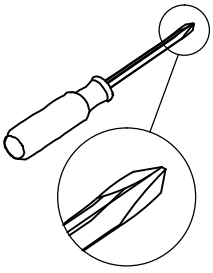


Insert the cam bolt into the hole first, then insert the cam lock and lock it.

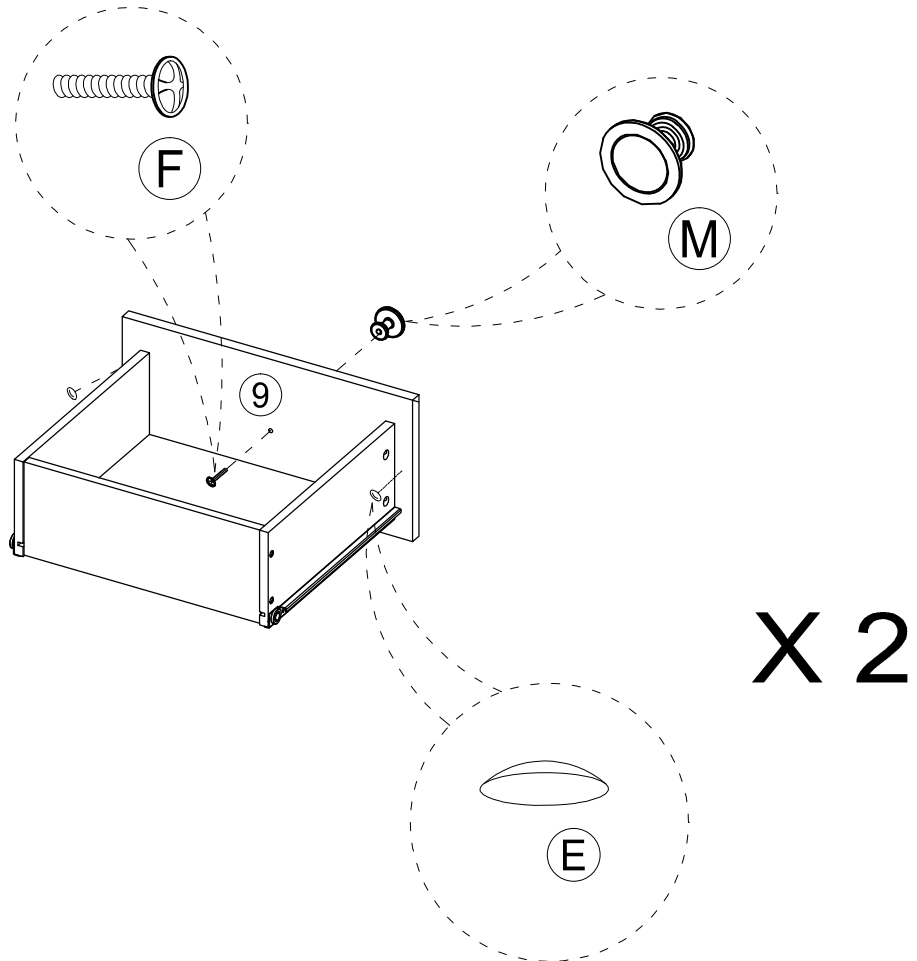
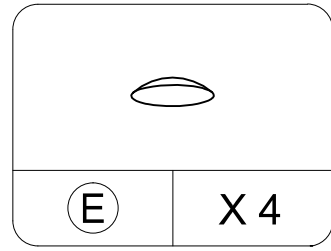
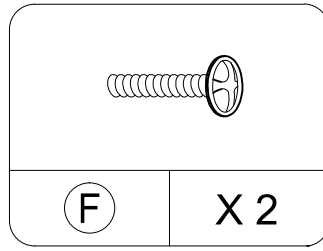
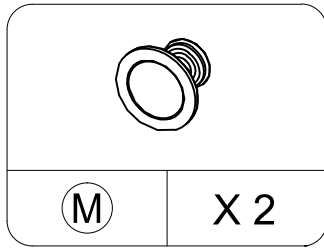
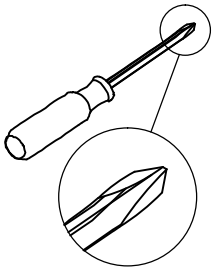


Proper orientation of CAM LOCK

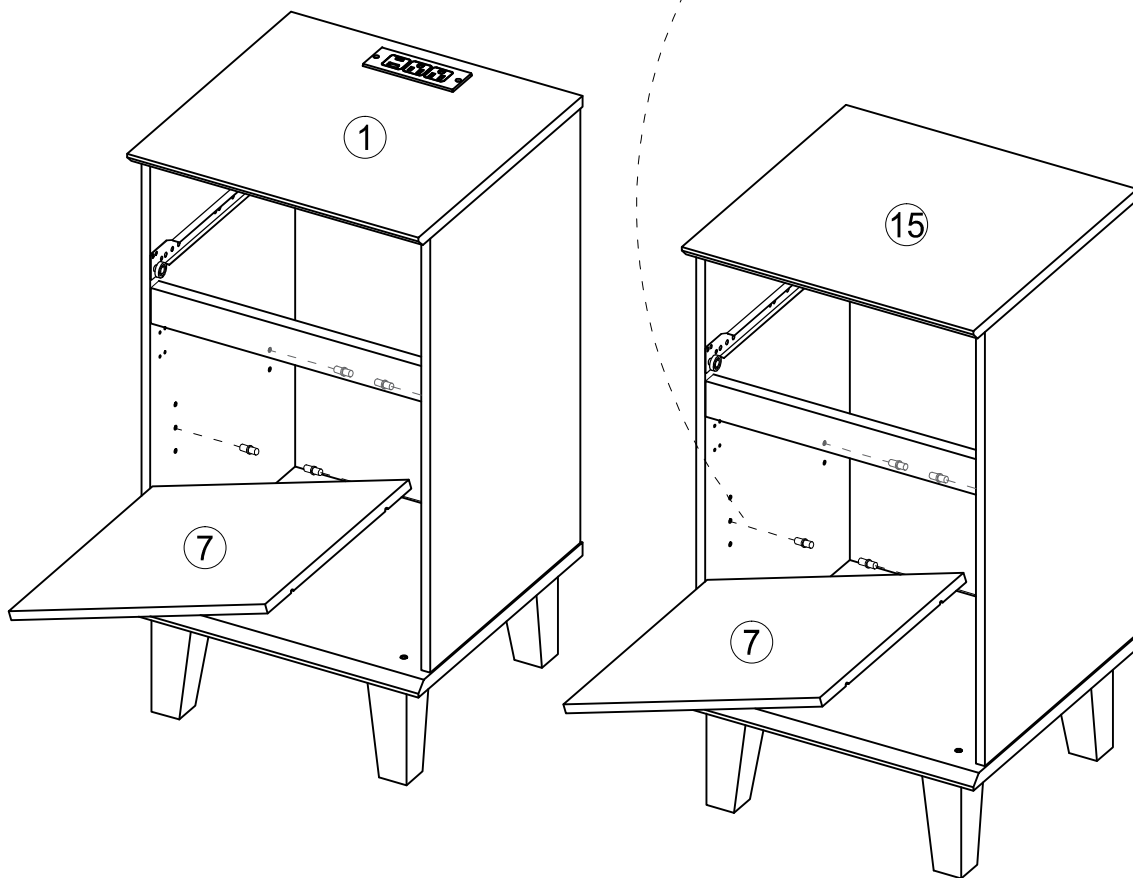
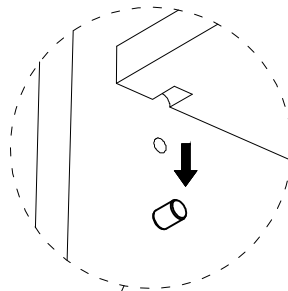
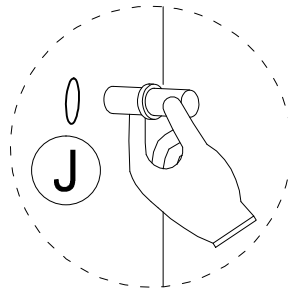
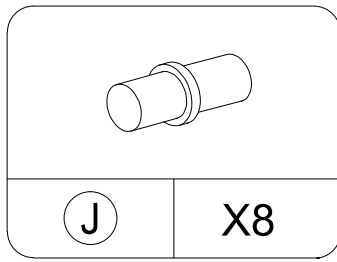
STEP 13



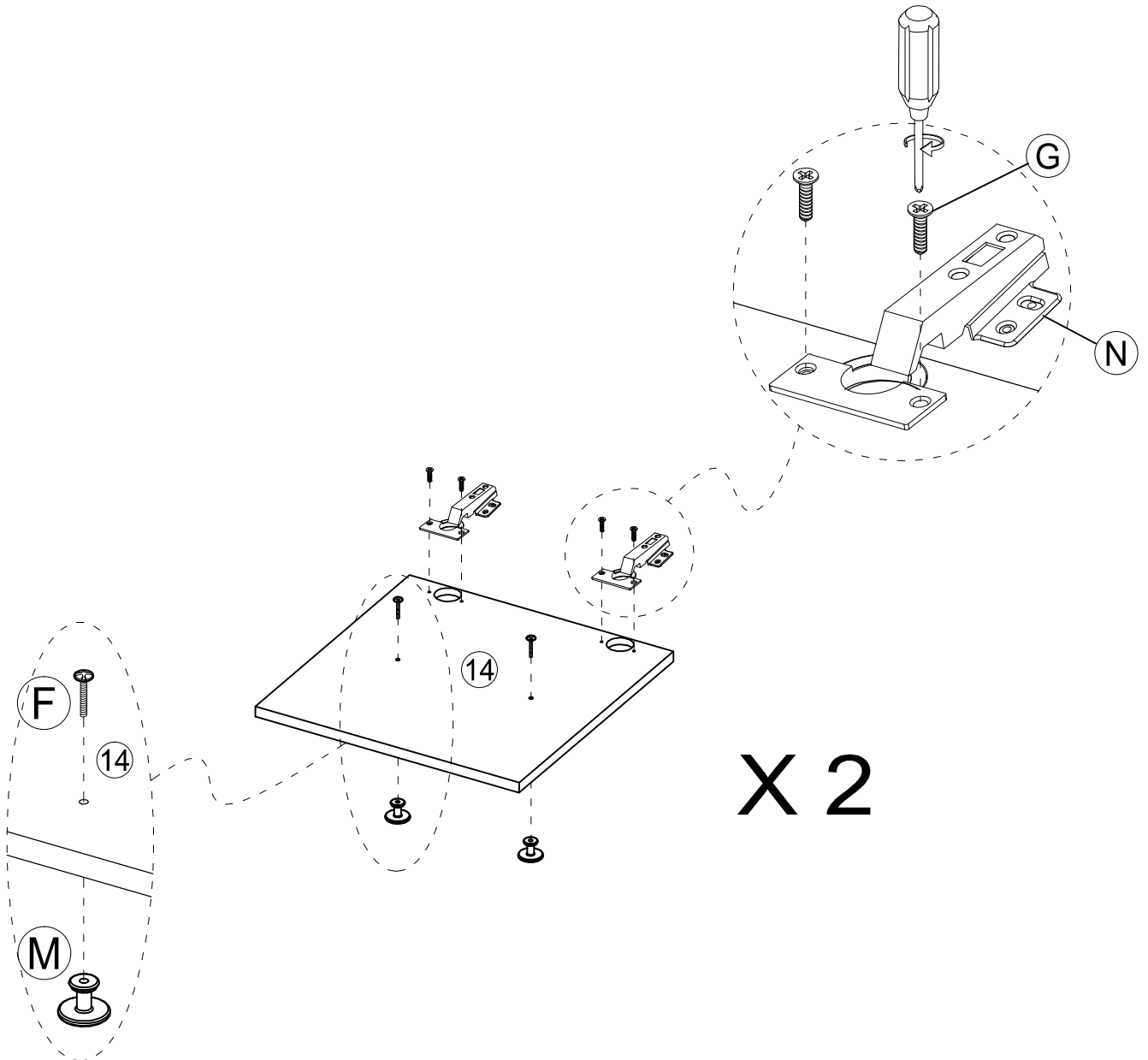
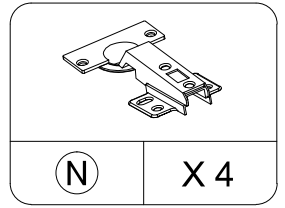
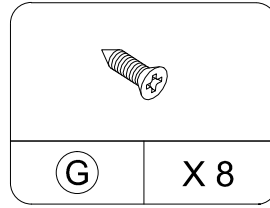
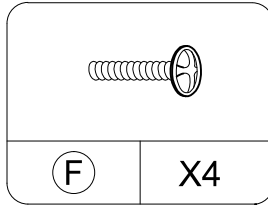
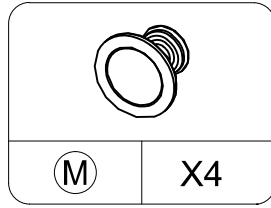
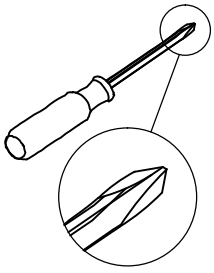
STEP14



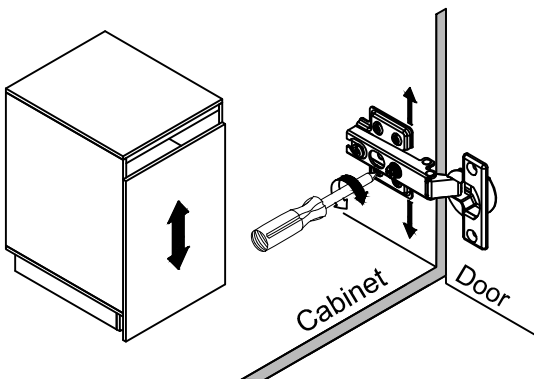
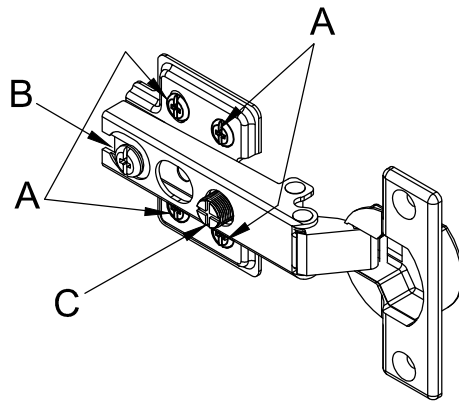
STEP 15



STEP 16

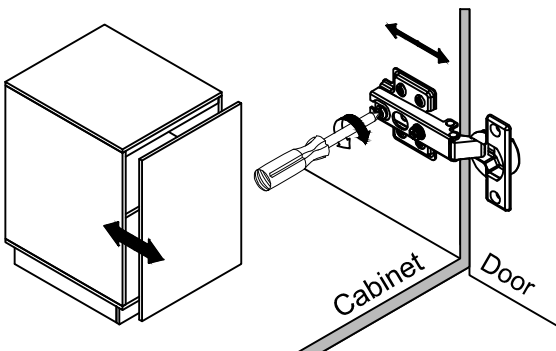


STEP17



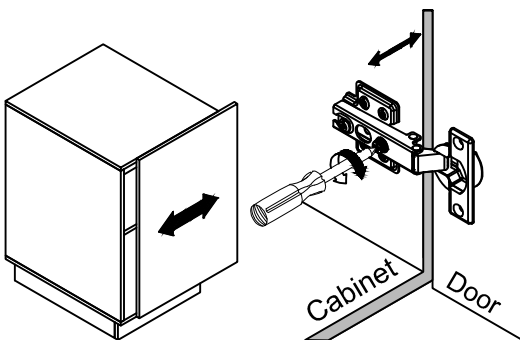
To adjust the vertical height.

Loosen the four screws "A" on both hinges. Two of them are usually in slotted holes which allows you to adjust up or down by a few mm. Then tighten back up.



To adjust depth.

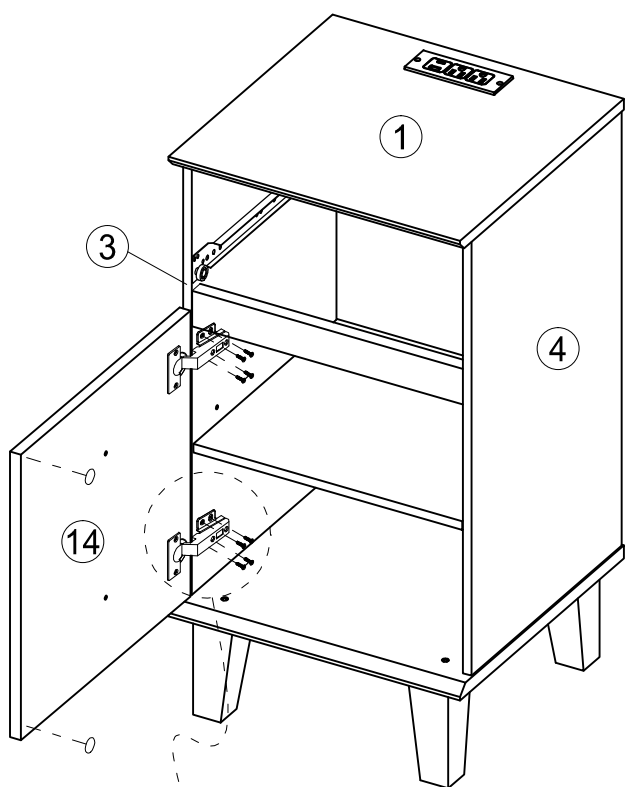
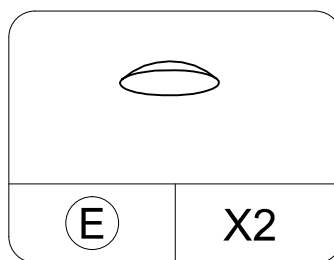
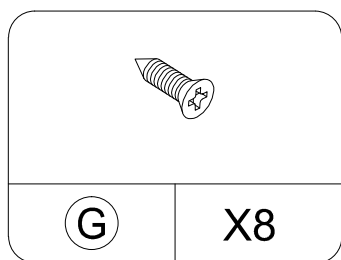
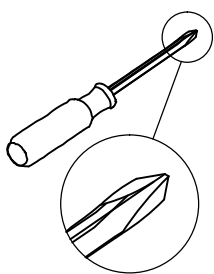
Loosen screw "B" and adjust door, if the door can not be adjusted, please loosen screw "C", then try again. Tighten screw "B" and "C".



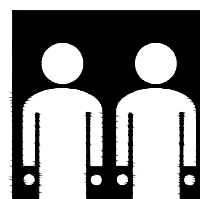
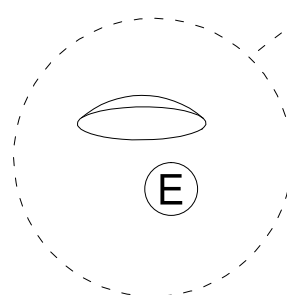
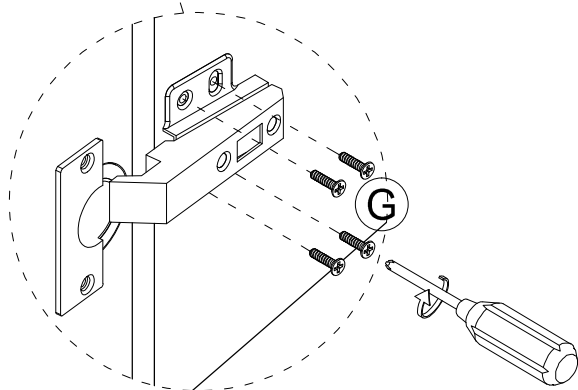
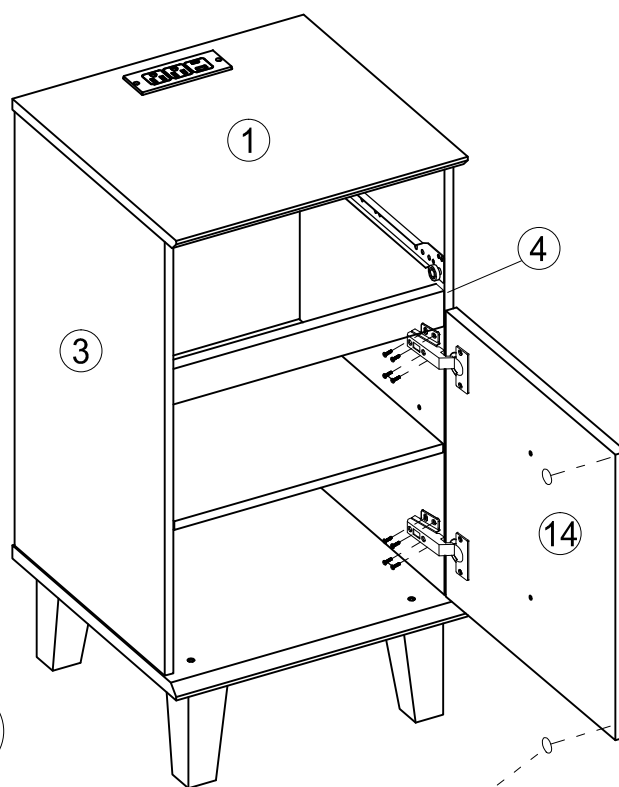
To adjust side ways.

Turning the screw "C" on BOTH hinges on each door.

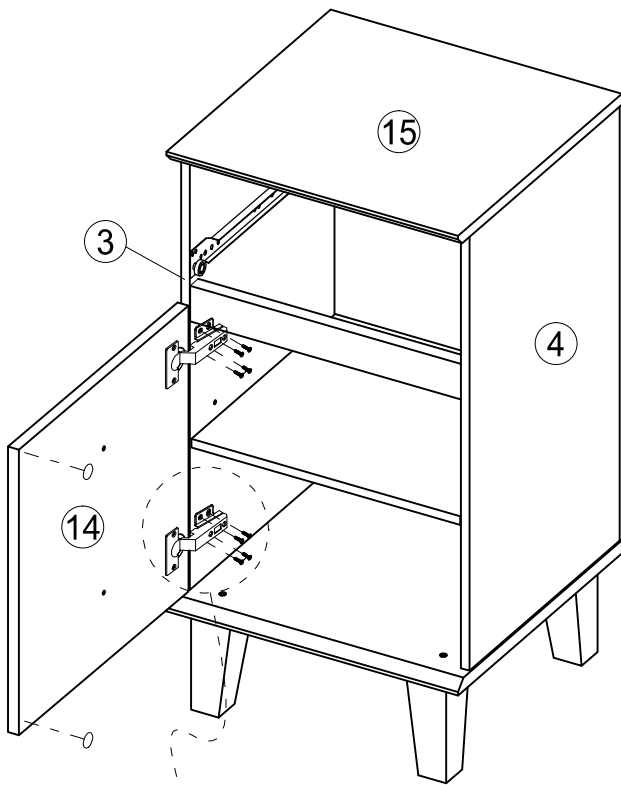
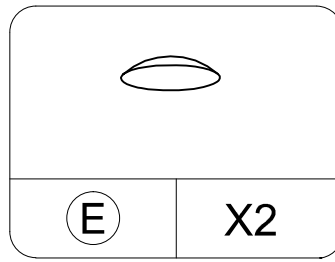
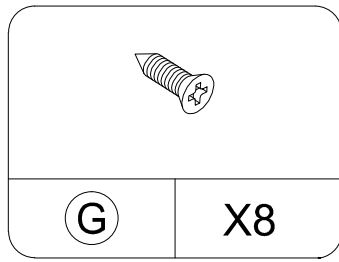
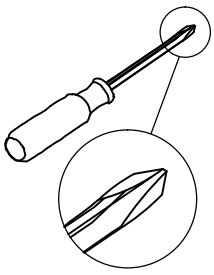
STEP18



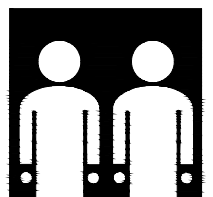
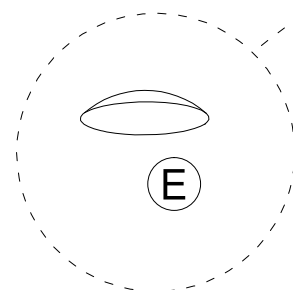
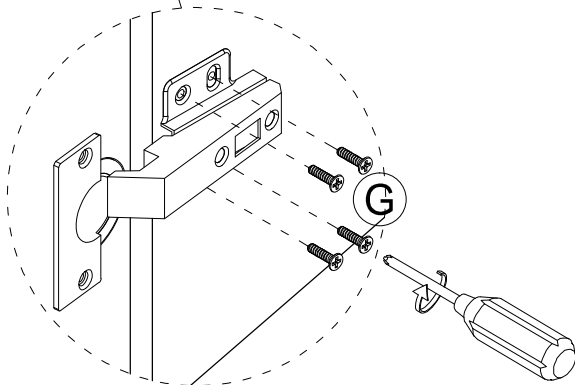
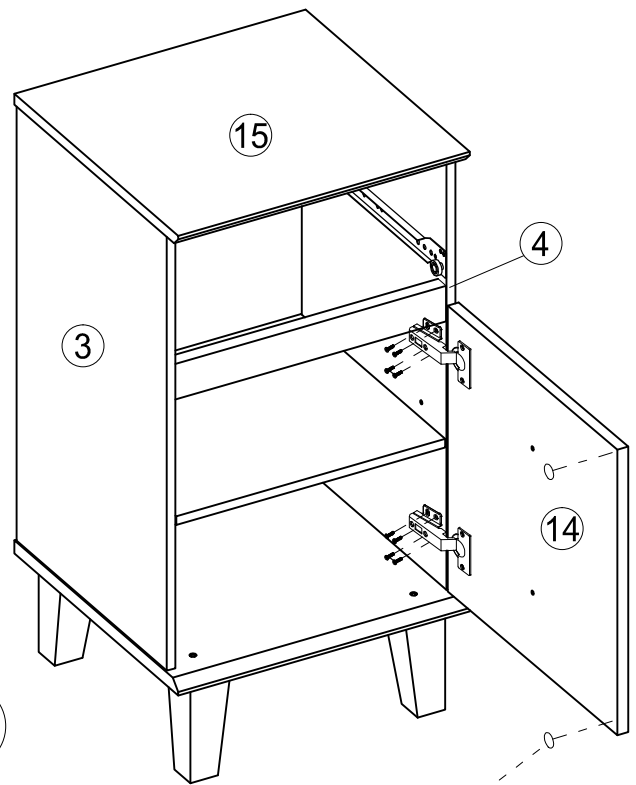
OR



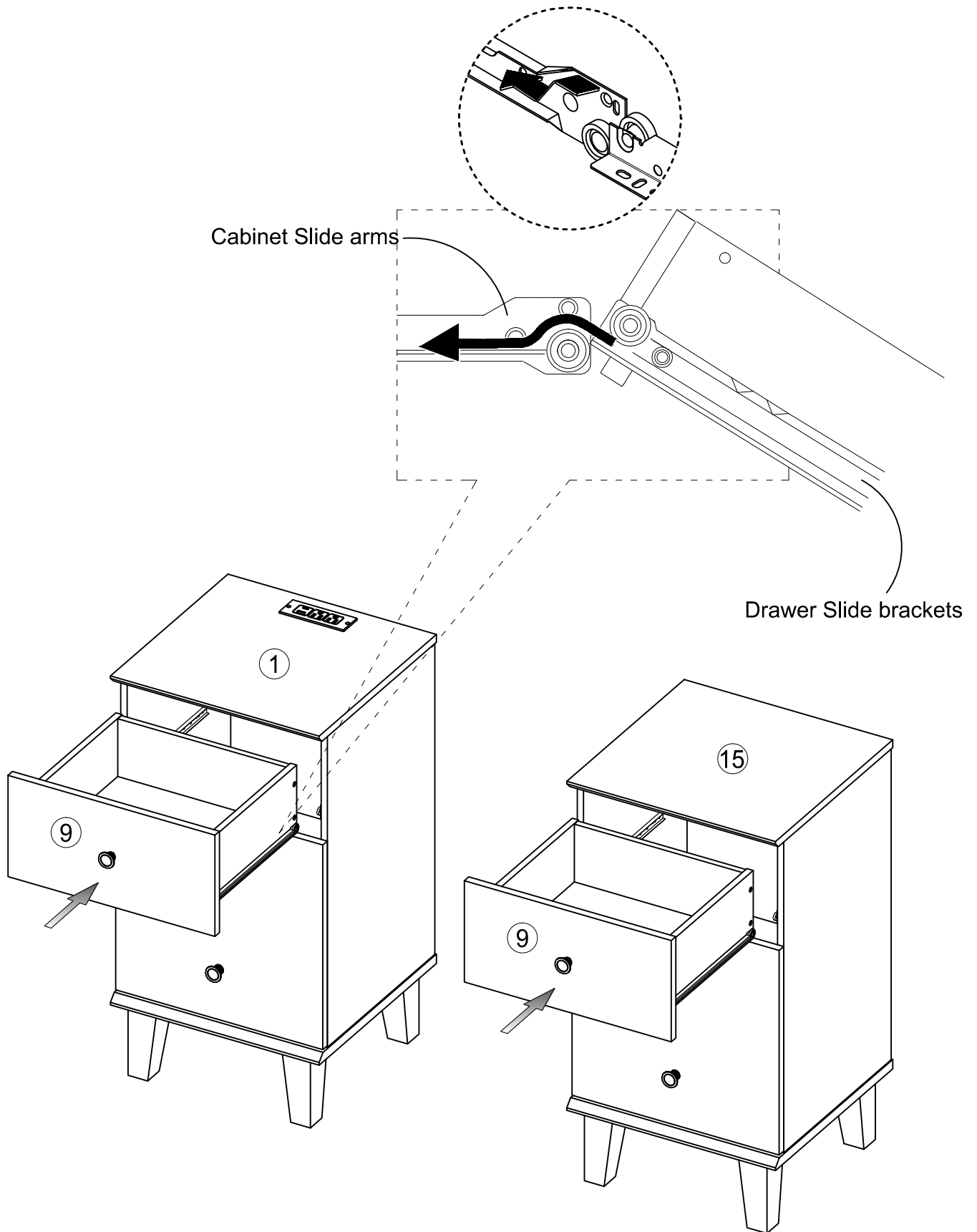
STEP19



OR



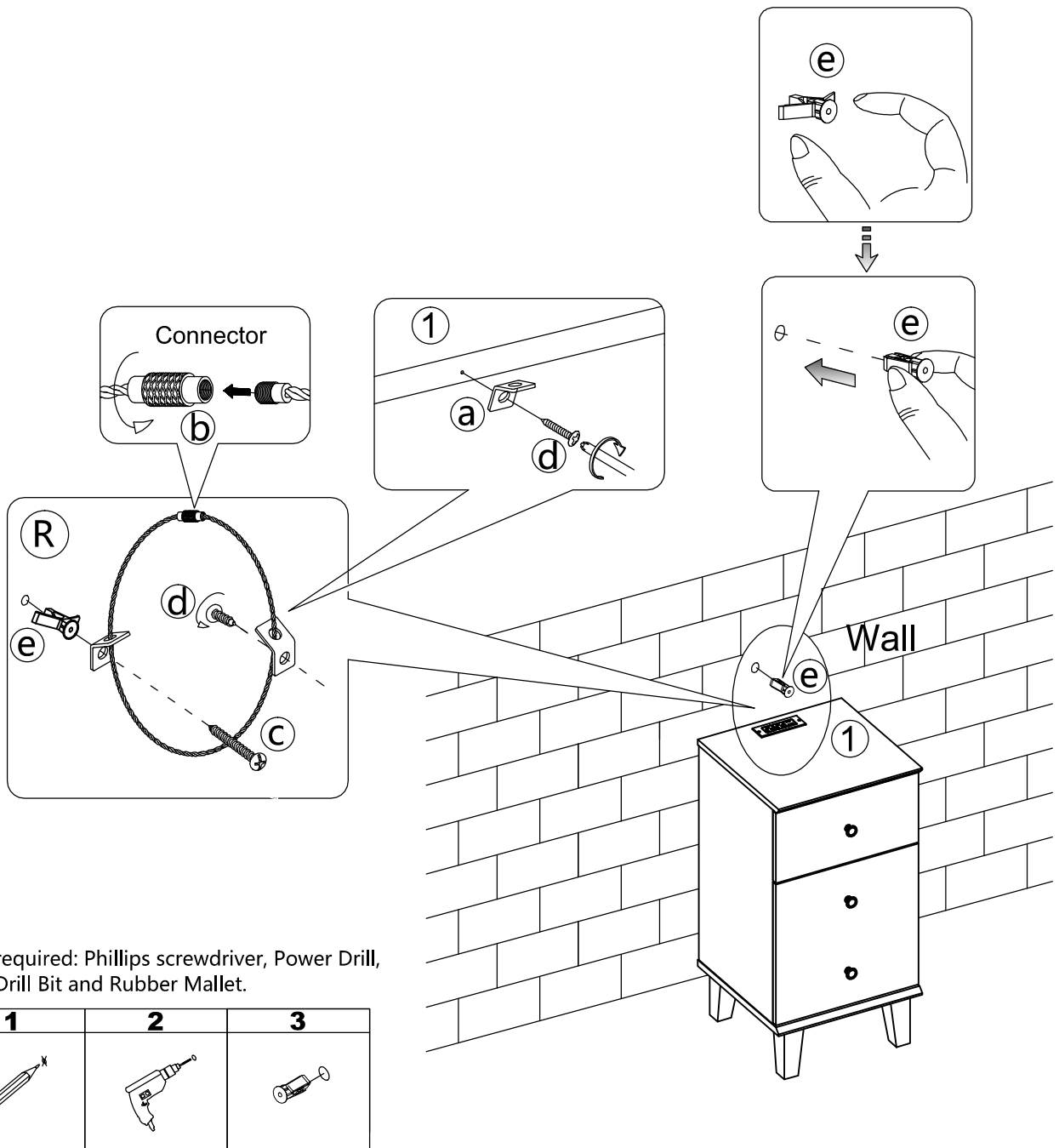
STEP20



STEP21

WARNING

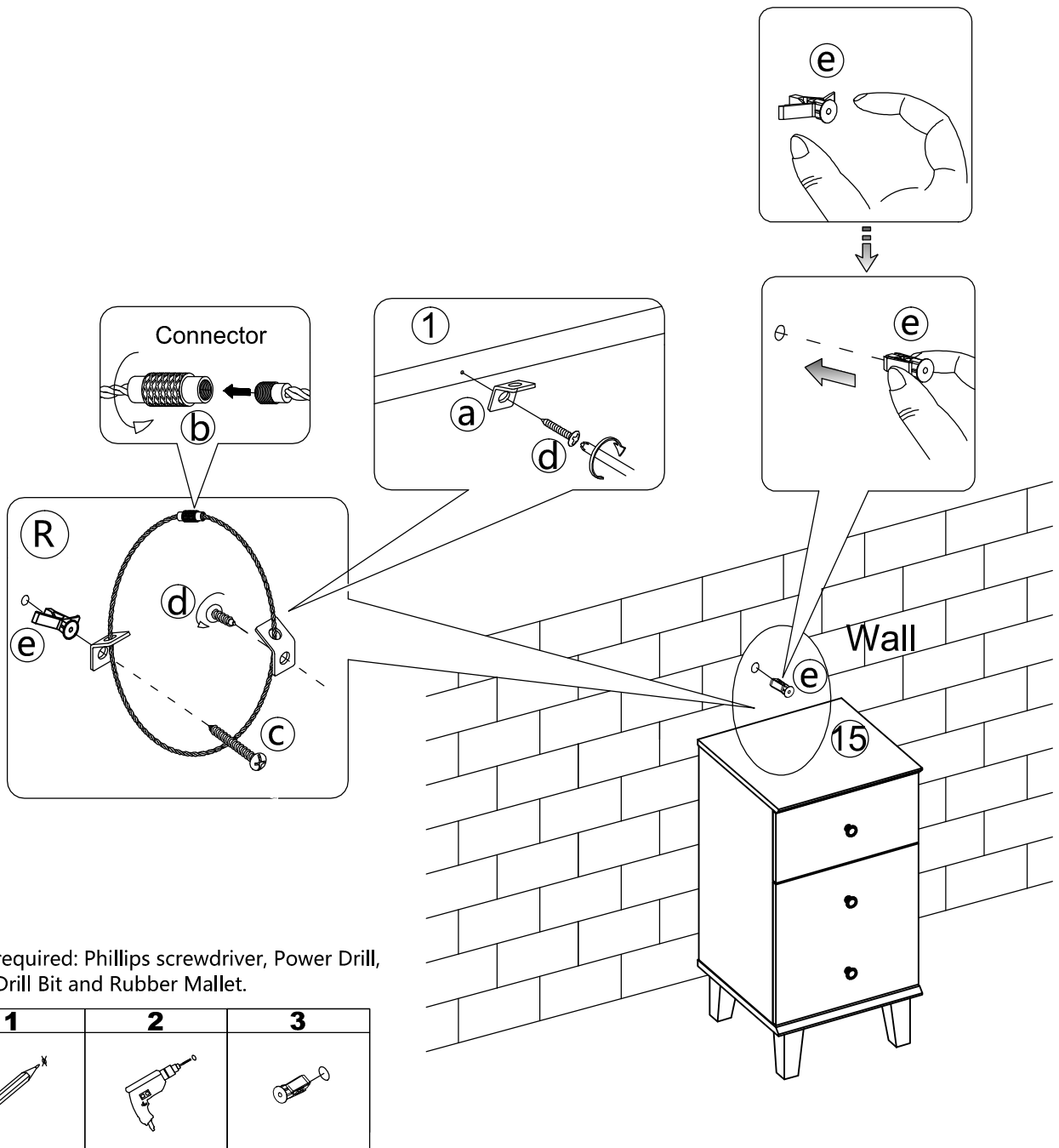
Serious or fatal injuries can occur from furniture tipping over. To prevent the furniture from tipping over we recommend that it is permanently fixed to the wall. Wall anchor and hardware are included with this product. Please make sure hardware is suitable for your walls before installing, as different wall materials may require different types of anchors.



STEP22

WARNING

Serious or fatal injuries can occur from furniture tipping over. To prevent the furniture from tipping over we recommend that it is permanently fixed to the wall. Wall anchor and hardware are included with this product. Please make sure hardware is suitable for your walls before installing, as different wall materials may require different types of anchors.

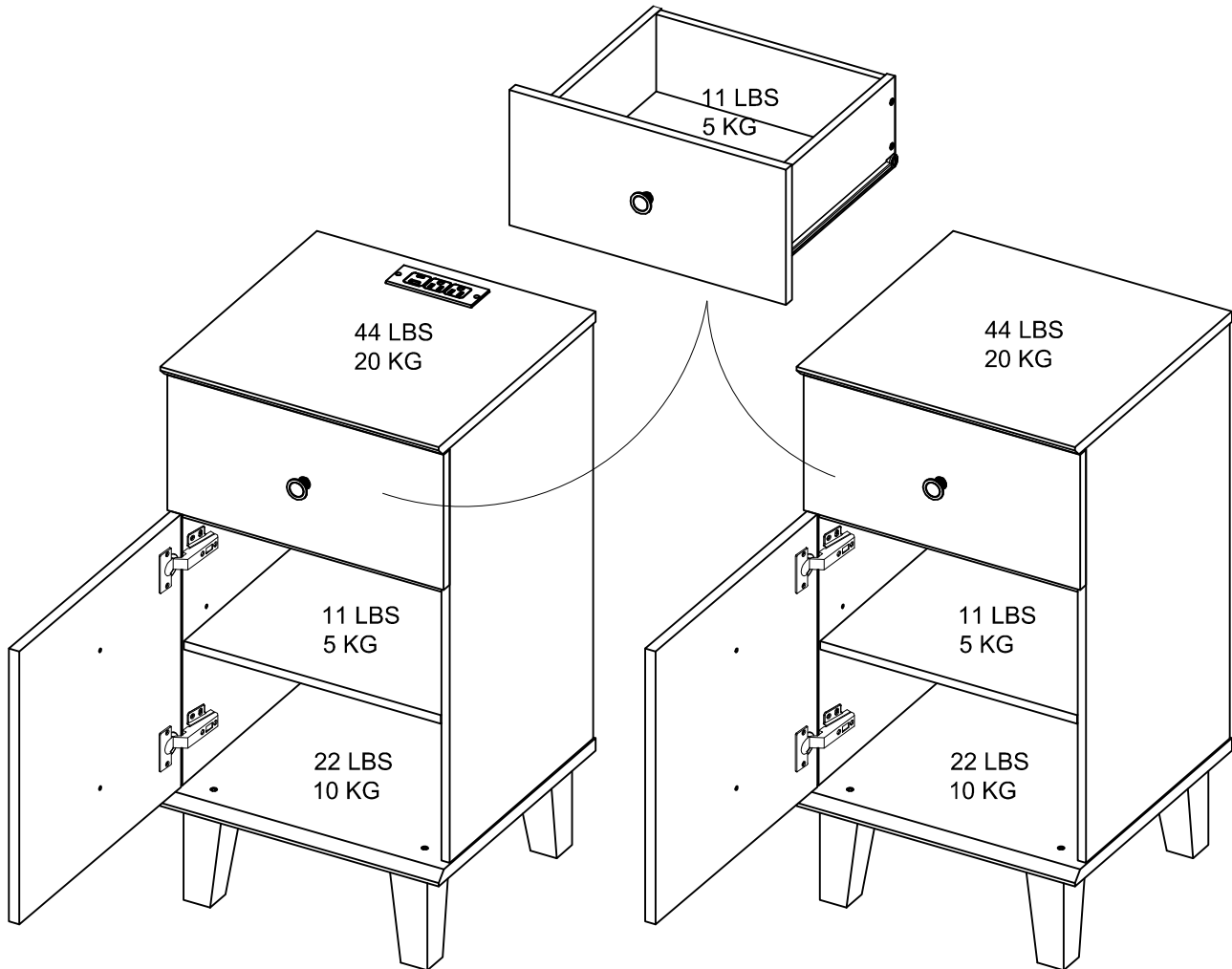


WARNING

This unit has been designed to support the maximum loads shown. Exceeding these load limits could cause sagging, instability, product collapse, and/or serious injury.

Do Not allow children to climb on unit.

Put heavy items on lower shelves or drawers



IMPORTANT NOTE

Young children (and/or pets) can be seriously injured by tipping furniture units.

You must install the provided anti-tip kit hardware solution, as instructed to prevent the furniture unit (s) from tipping over which could possibly lead to injuries or damage.

The provided anti-tip kit hardware solution is intended only as an additional safety measure a deterrent; it is not a substitute for proper adult supervision.

The provided anti-tip kit hardware solution is not an earthquake restraint. If you wish to add the extra security of earthquake restraints they must be purchased and installed separately.