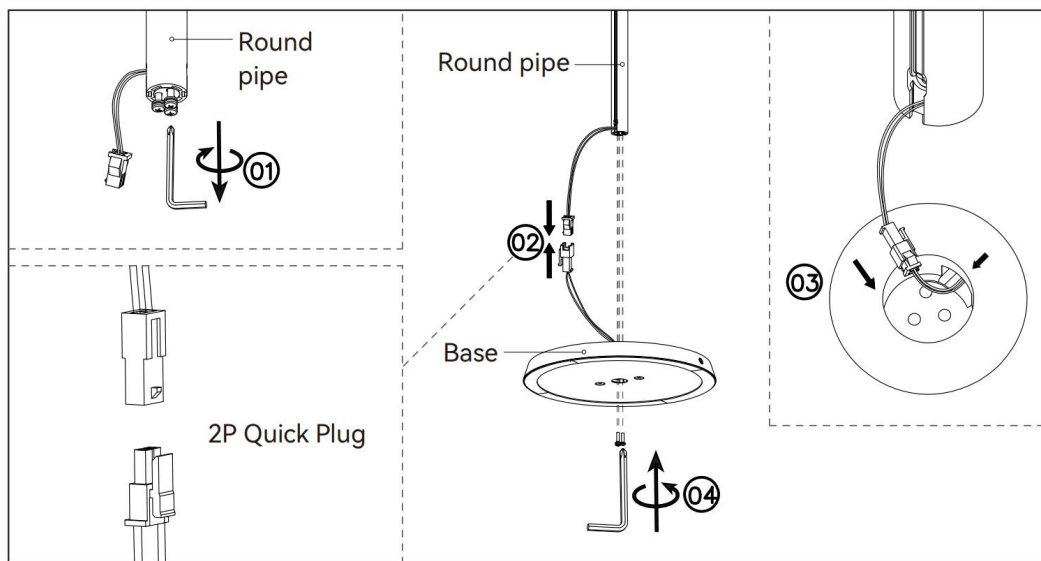
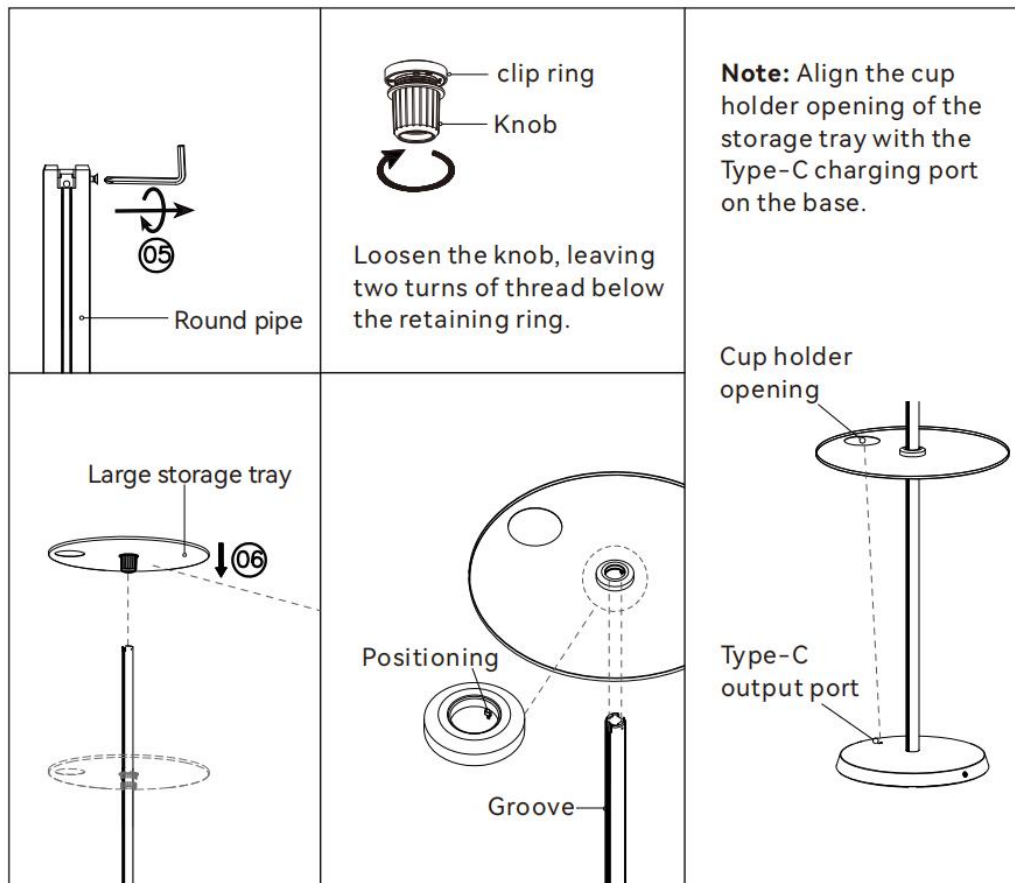


EN: Installation Instructions

1. Use a cross wrench to remove the three round head screws of the round pipe (see step ①);
2. Connect the round pipe to the 2P quick plug on the base, then arrange the wires and push it into the holes of the base (see steps ② and ③);
3. Use a cross-head wrench to tighten the three round head screws removed in step ① onto the base and the round pipe (see step ④);

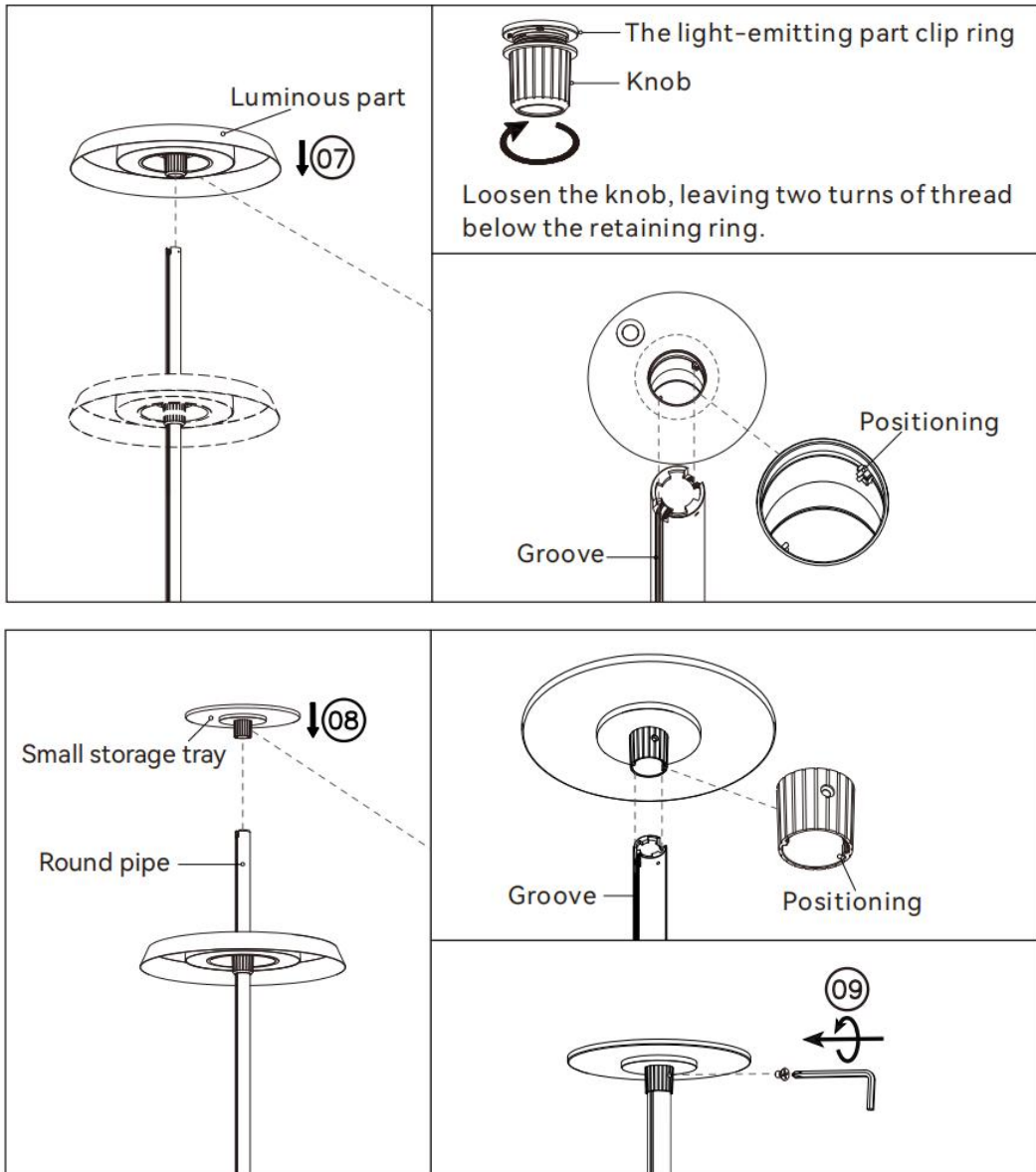


4. Use a cross-head wrench to remove the countersunk screws at the top of the round pipe (see step ⑤);
5. Loosen the knob at the bottom of the large storage tray. Keep two turns of the thread at the bottom of the retaining ring. Align the middle protruding position at the top of the retaining ring with the groove of the round pipe. Then, insert the large storage tray downward into the middle of the round pipe. Adjust the cup holder mouth of the large storage tray to align with the Type-C output socket on the base. Finally, tighten the knob (see step ⑥);



6. Loosen the knob below the light-emitting part. Keep two turns of thread below the retaining ring. Align the middle protrusion at the top of the retaining ring with the groove of the circular tube. Then insert the light-emitting part downward into the circular tube. After confirming the position, tighten the knob (see step ⑦).

7. Align the raised clip in the middle of the button at the bottom of the small storage tray with the groove on the round pipe and insert it downward (see step ⑧). Then, use a cross-head wrench to remove the sink head screw from step ⑤ and lock it into the round pipe (see step ⑨).



8. Insert the DC male plug into the DC female plug on the base (see step ⑩);

9. Plug the power adapter into the socket (see step ⑪).

