

Metal Dresser–Installation Manual

Important Installation Notes-Please Read First

1.Safety First:

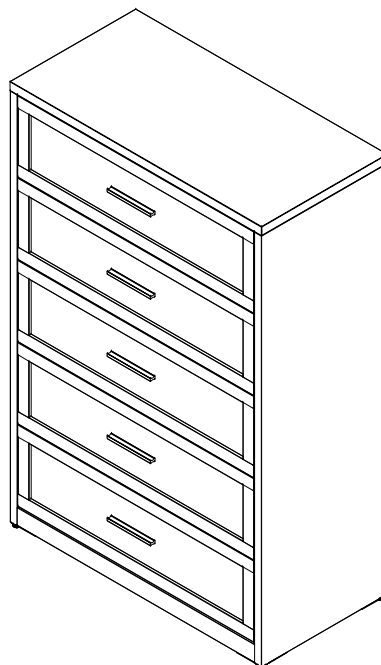
Wear the gloves provided in the carton box to avoid any injuries. Work on a clean, flat, and stable surface to avoid scratching the cabinet or causing instability during assembly.

2.Adult Supervision Required:

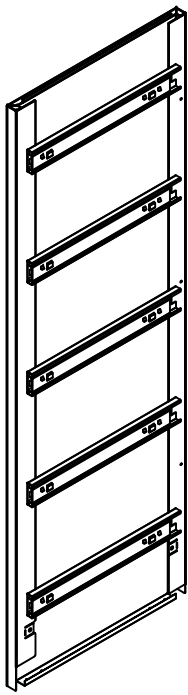
This product must be assembled by adults only. Keep small parts (screws, washers, etc.) away from children and pets to prevent choking hazards.

3.Parts Checklist

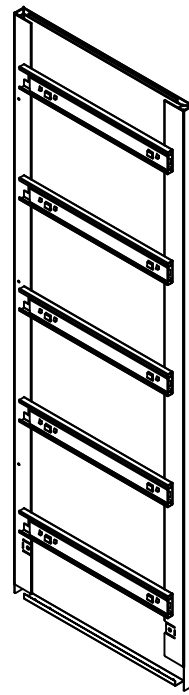
Before beginning, open the carton box and lay out every part against the parts list to verify that all parts needed are included in your package. If any parts are missing, damaged, or defective, contact our customer service immediately



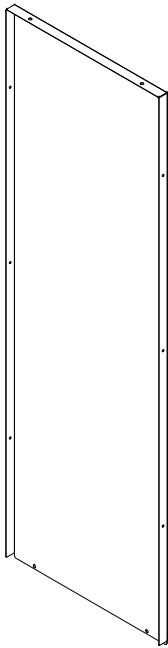
A*1



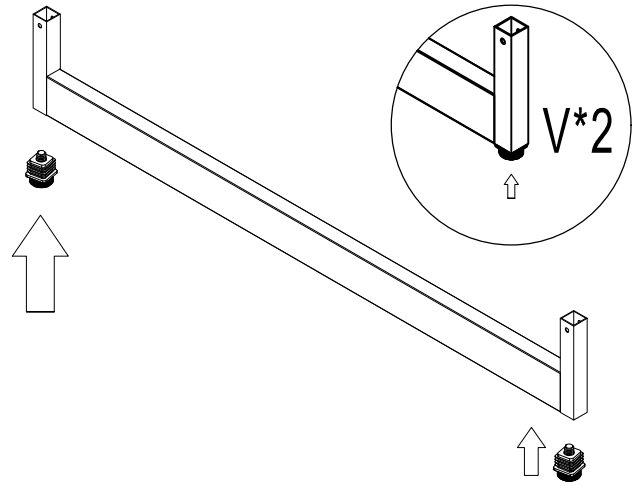
B*1



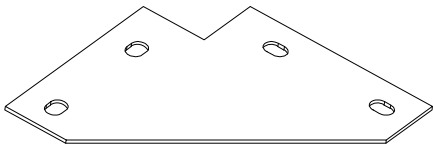
C*2



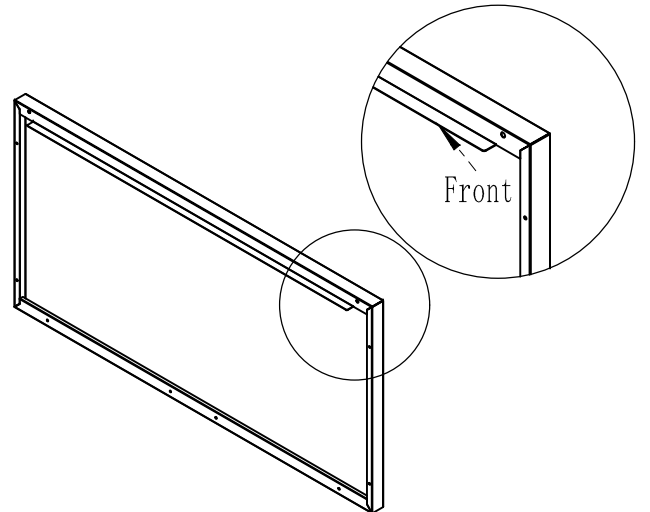
E*1

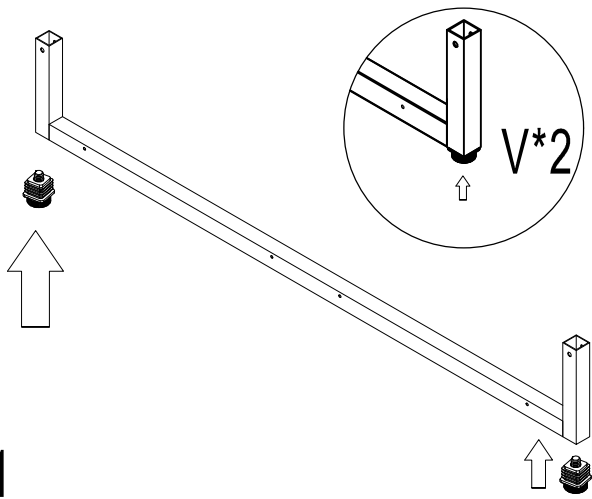


G*4



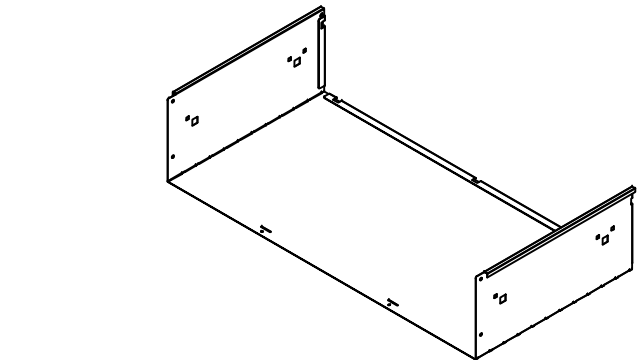
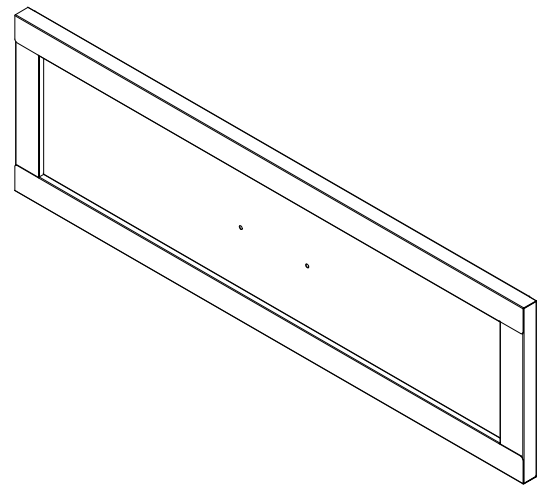
H*1



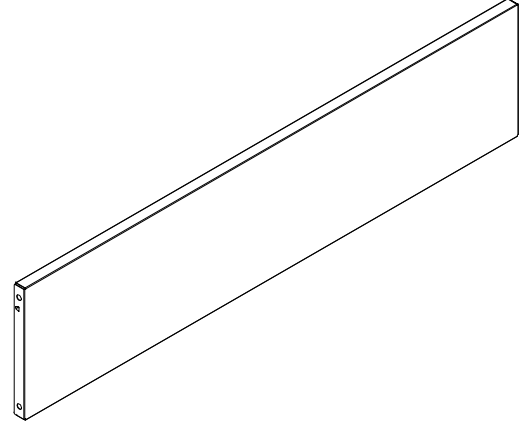


M*1

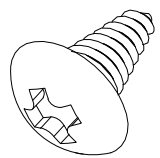
X*5



Y*5



Z*5



N*20



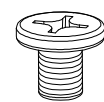
R*51



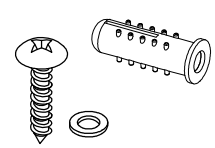
Q*3



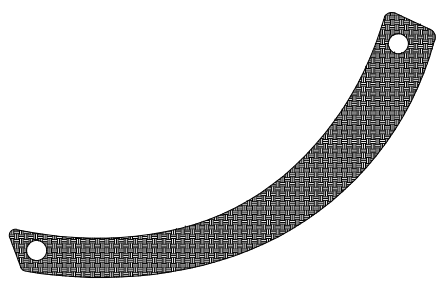
U*10



L*2



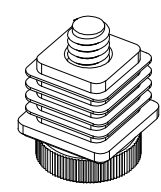
W*2



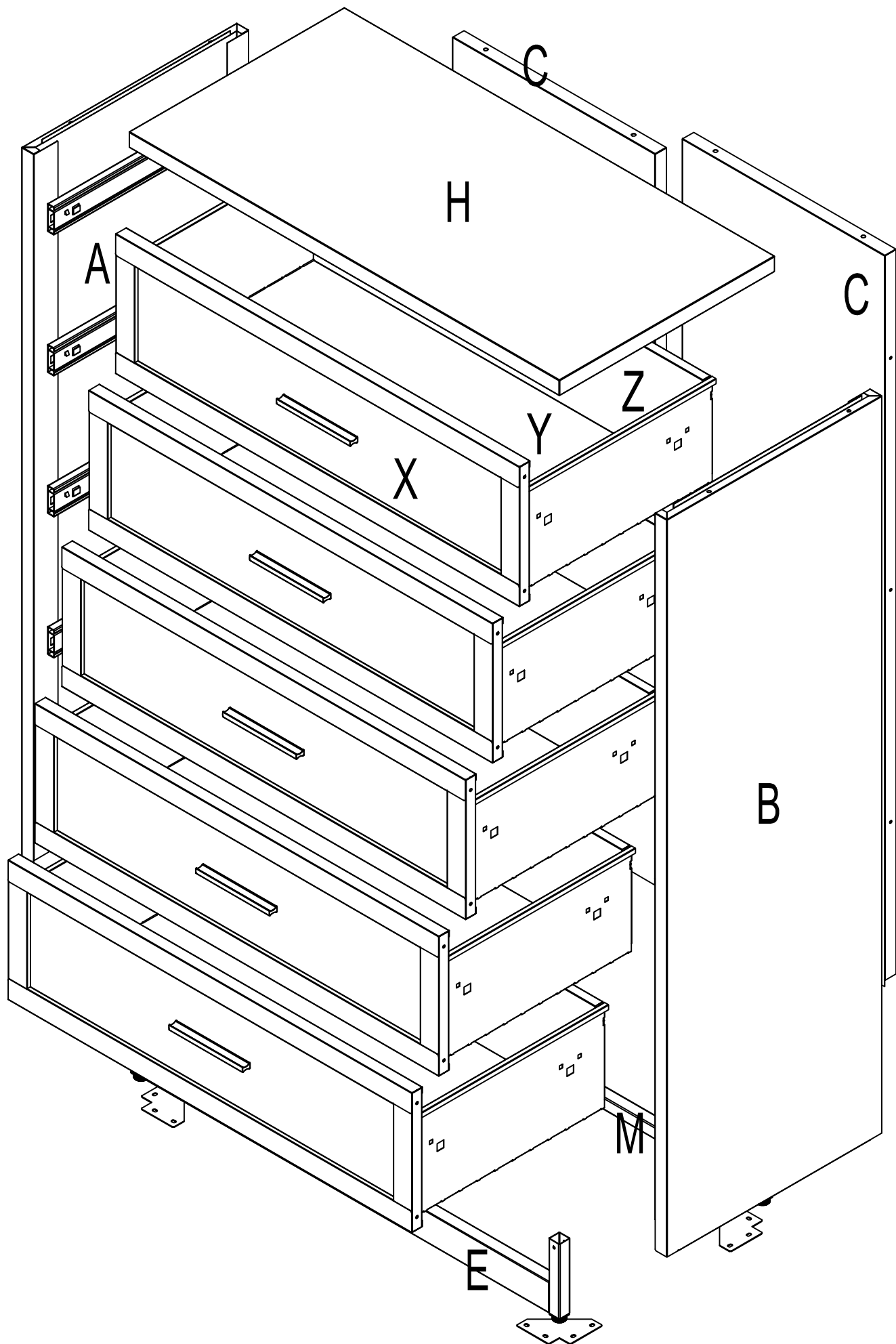
S*2



T*5

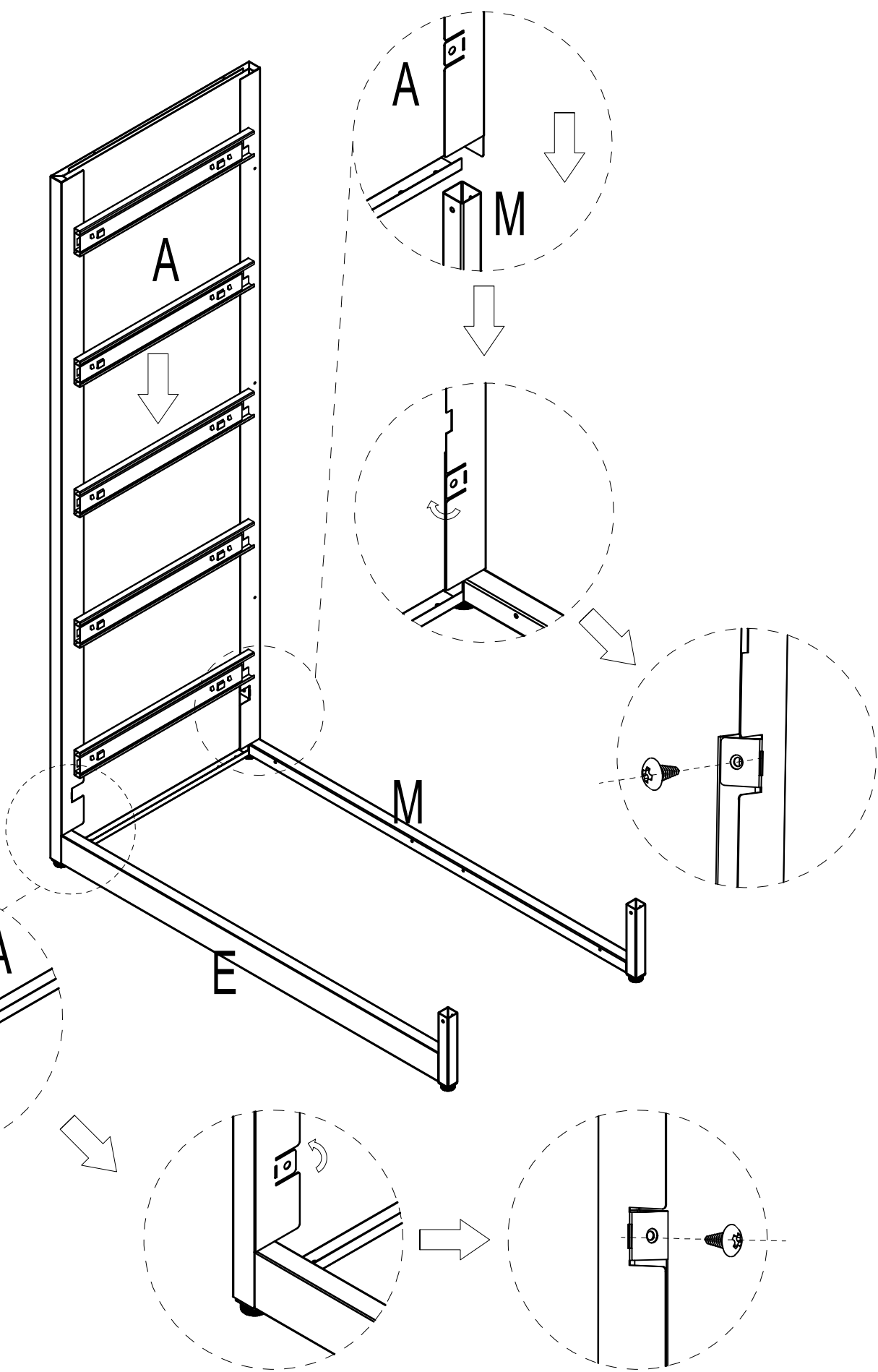


V*4



1

N*2

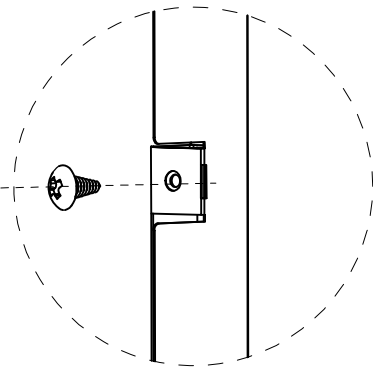
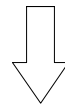
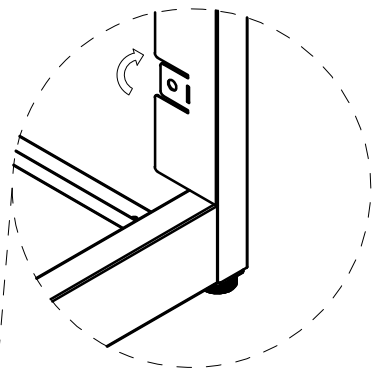
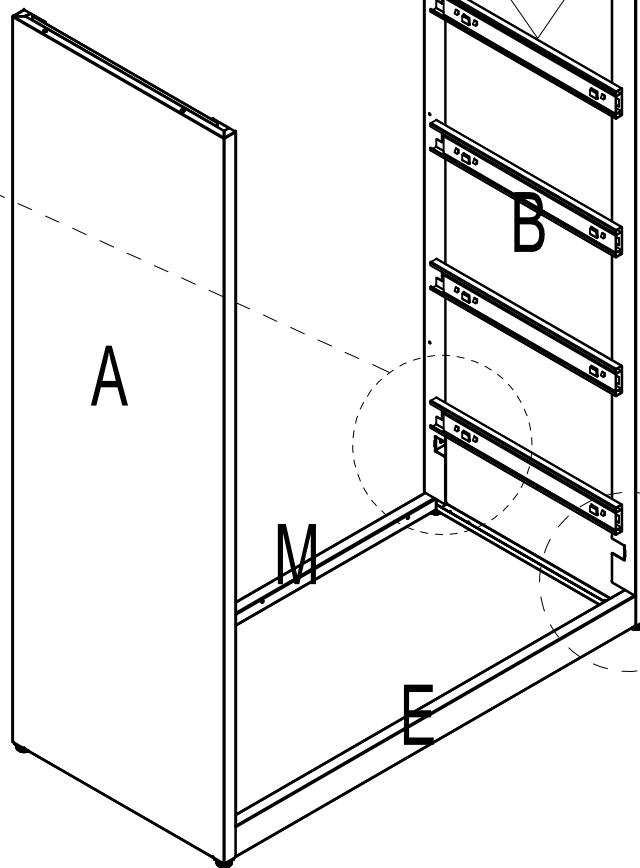
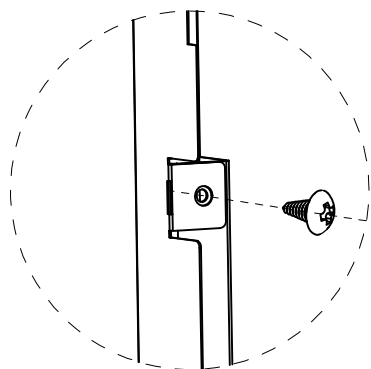
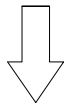
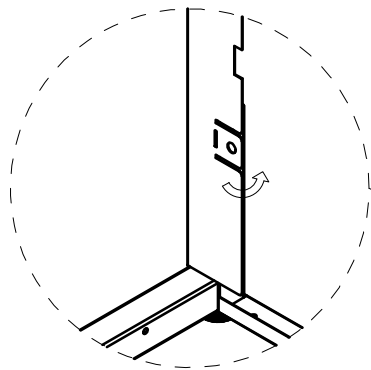


Arrange the front stand leg E and the rear stand leg M, insert the side plate A into the stand leg, Pay attention to the area shown in the circle. You need to bend the side panel link and fix it with screw N (as shown in the picture).

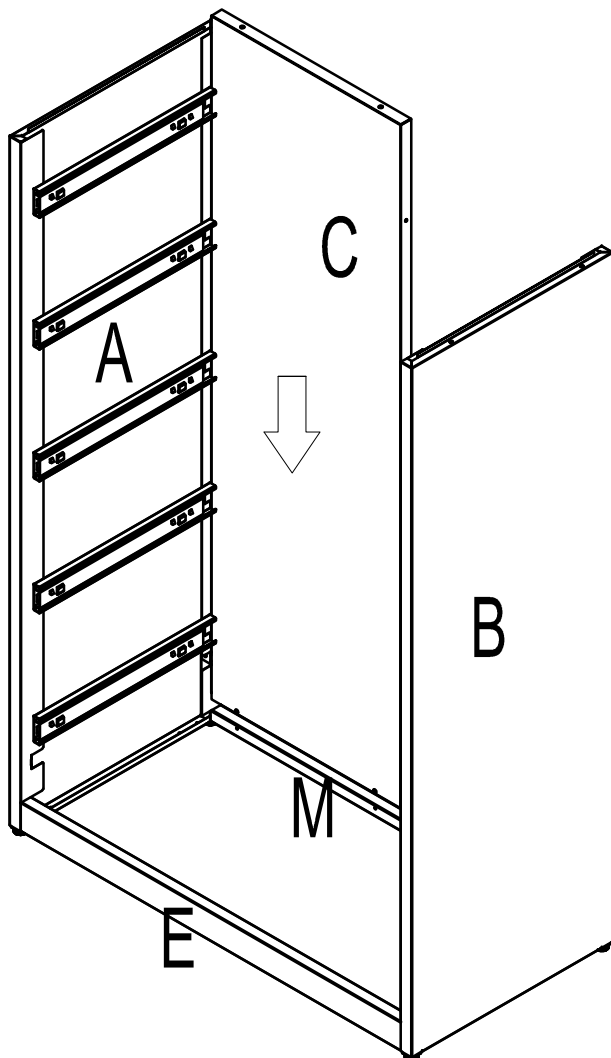
2

Install side panel B using the same method as the first step and secure it with N * 2 screws.

N*2





3

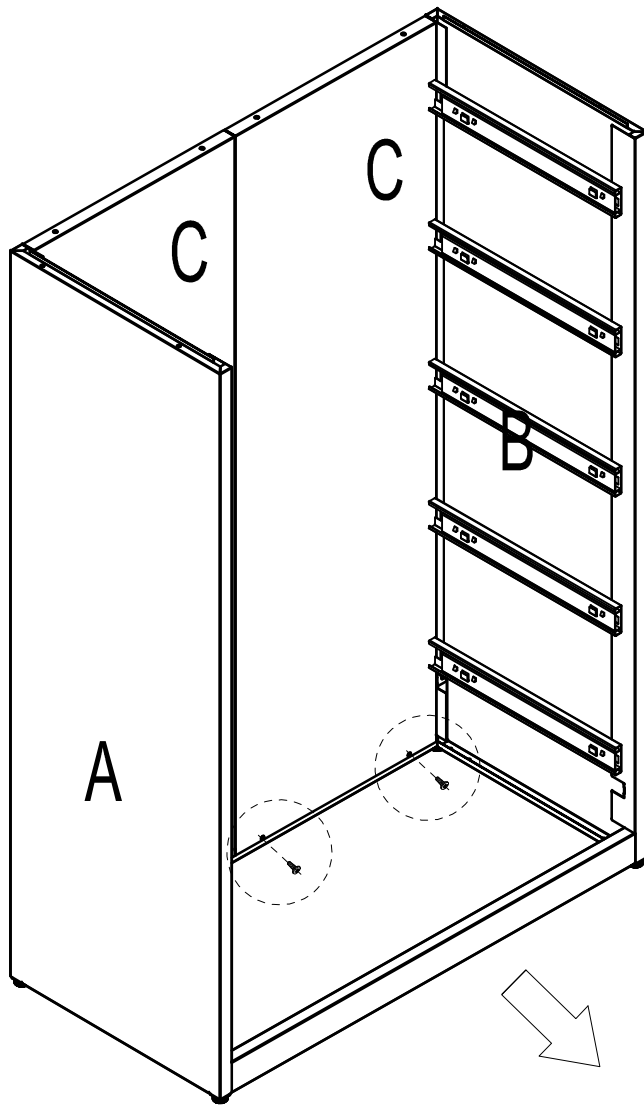


Now let's install the back panels C*2.
(Important: the concave side of back panel C must face outward). Make sure that the bent edge with two holes must face upward.

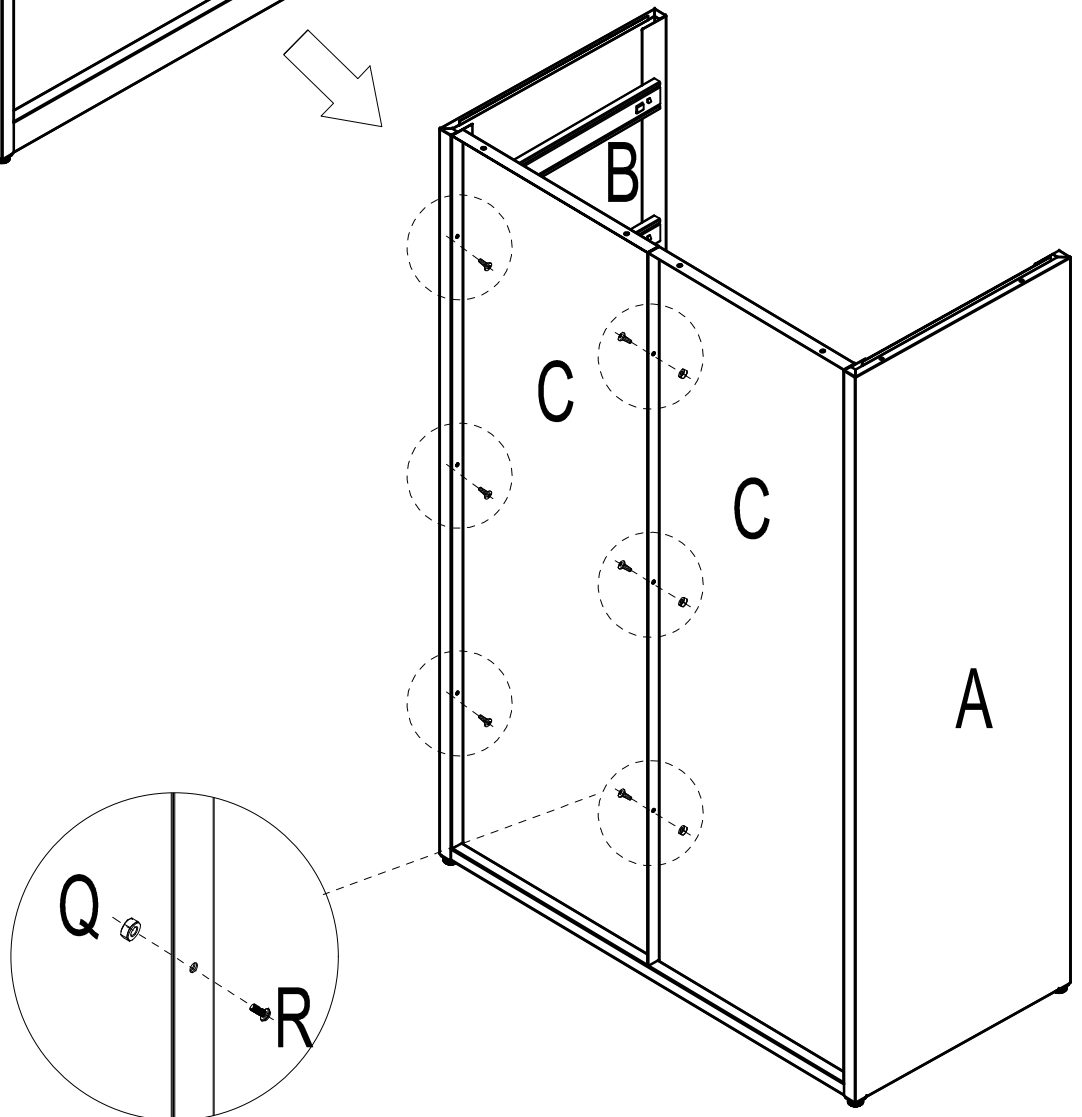
5

R*8 

Q*3 



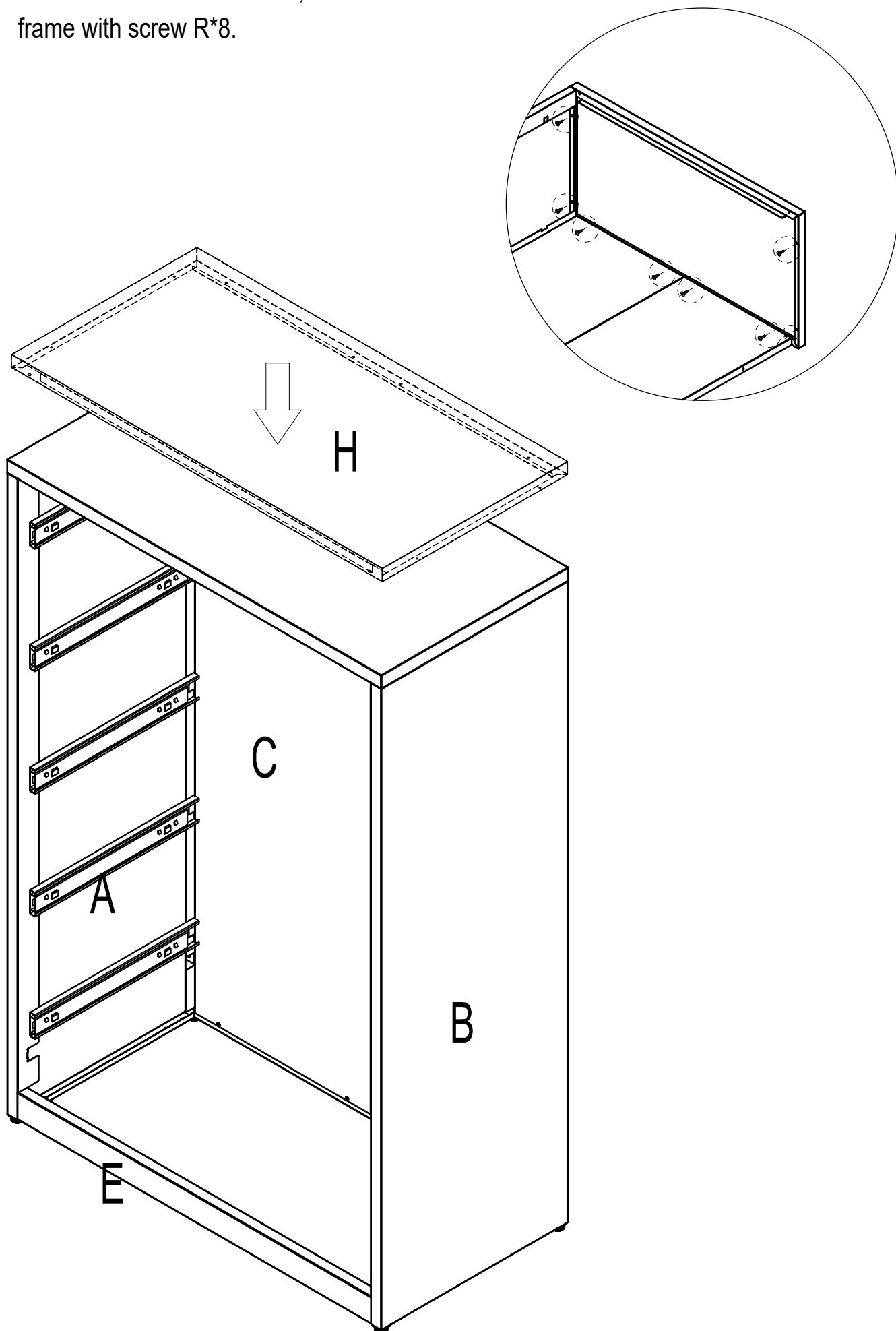
Repeat the above step to install the other back panel C then secure the 2 back panels using R*3 and Q*3 screws in the middle.



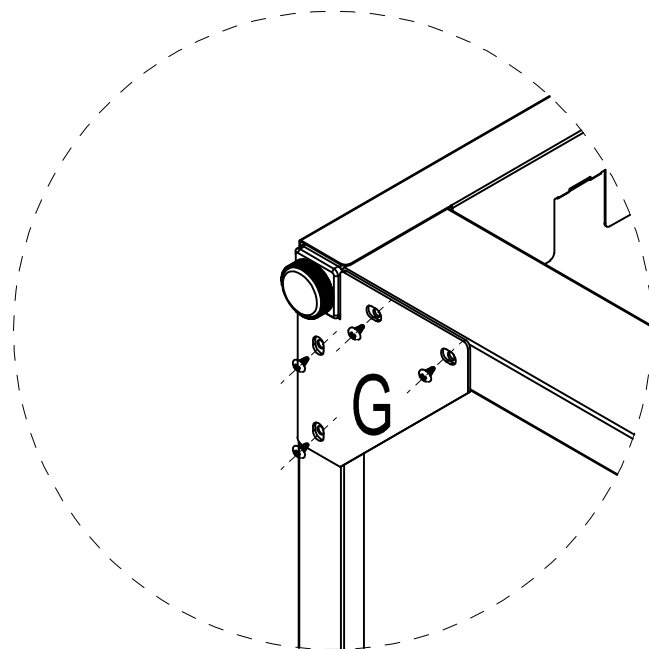
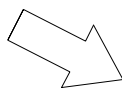
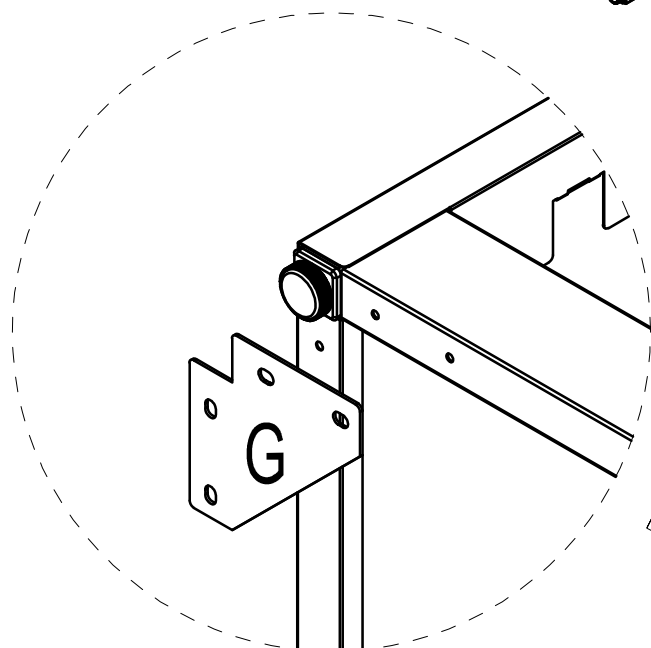
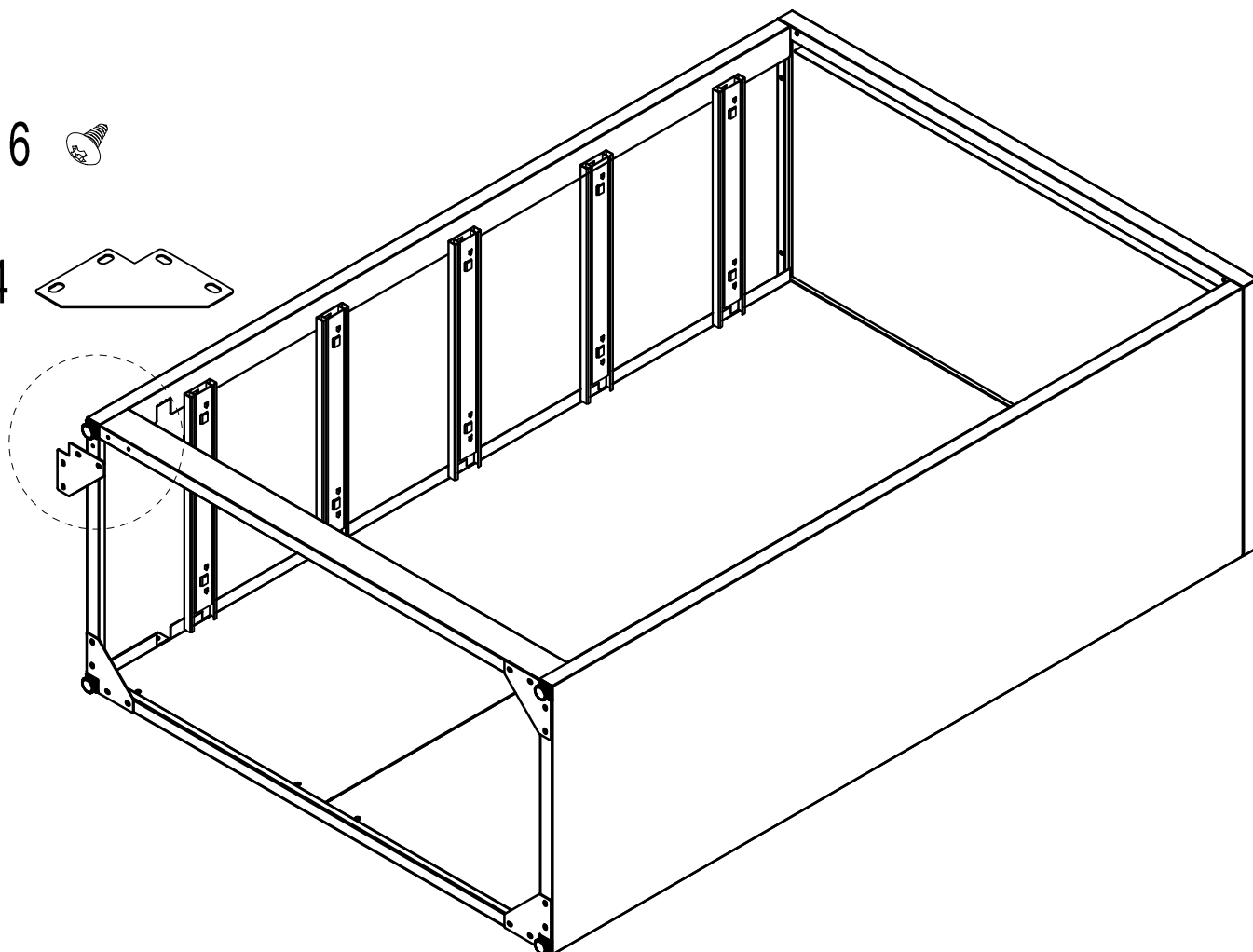
6

When installing the top panel, please ensure the side with the baffle faces forward, then secure it to the frame with screw R*8.

R*8 

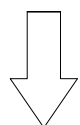
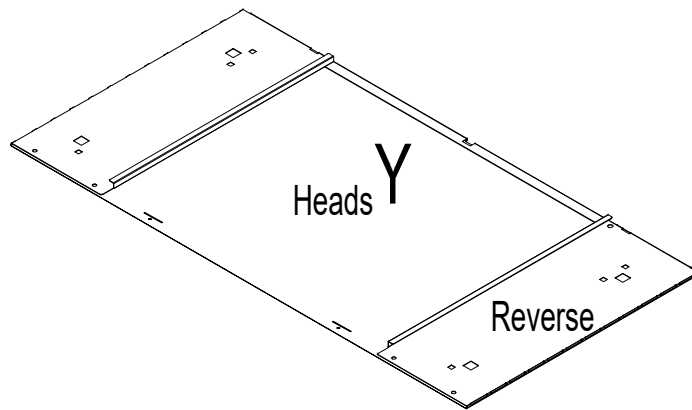


7

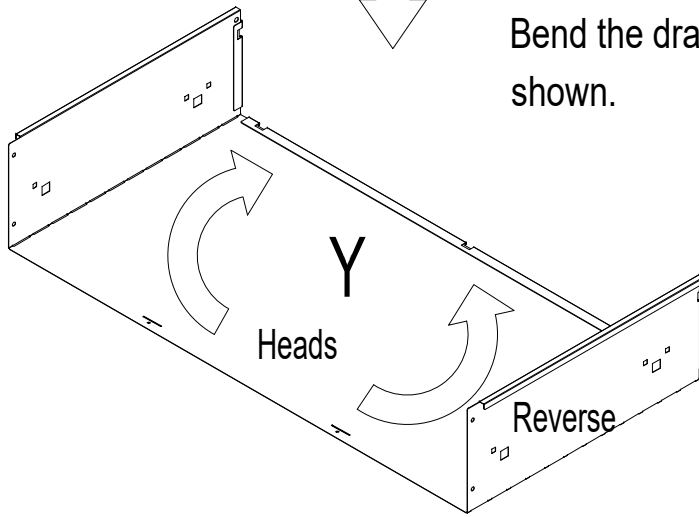
N*16 G*4 

Lay the cabinet flat on the floor. Install the black plastic leveling feet V*4 (use these to adjust the cabinet height for leveling on uneven floors). Next, install the component G*4 at the four bottom corners to secure the cabinet legs to the frame using N*16 screws.

8

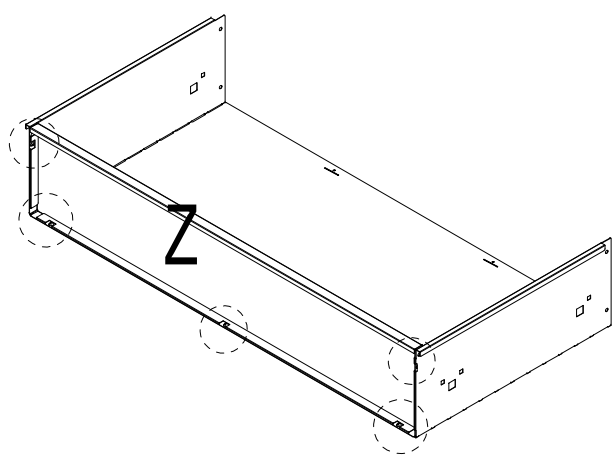
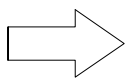
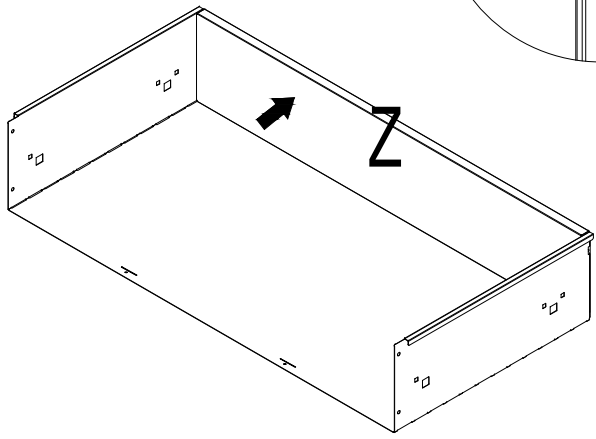
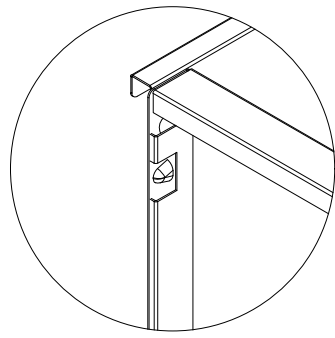


Bend the drawer box Y as the instruction shown.



9

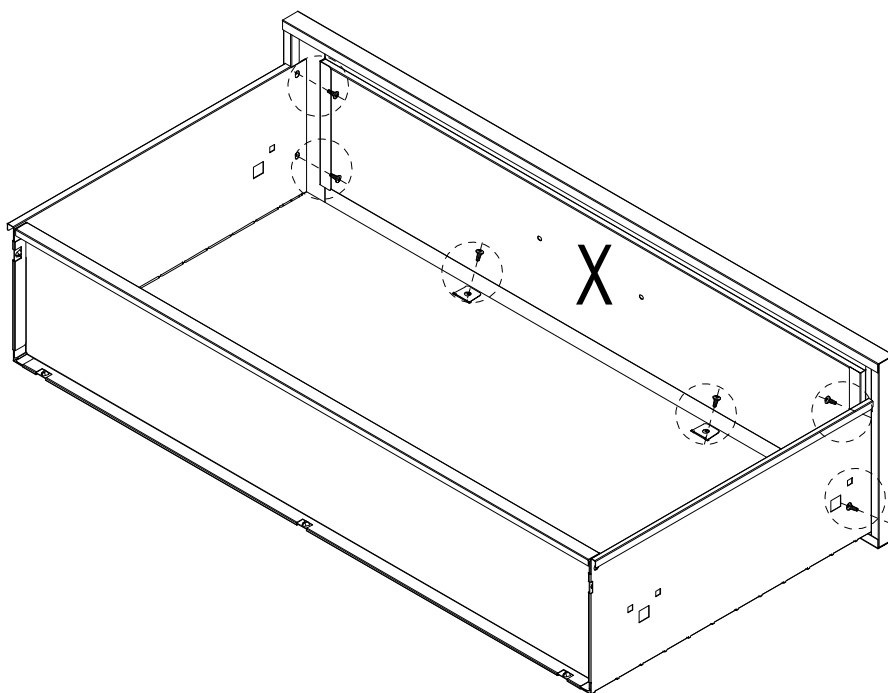
Take out drawer back panel Z. Slide it backward into drawer panel Y, ensuring it fully locks into the three-sided slots, with the protrusions on panel Z completely inserted into the holes on panel Y.



10

R*30 

Install the parts X by using 30*R screws,
Follow this process to complete the rest
Four drawers.

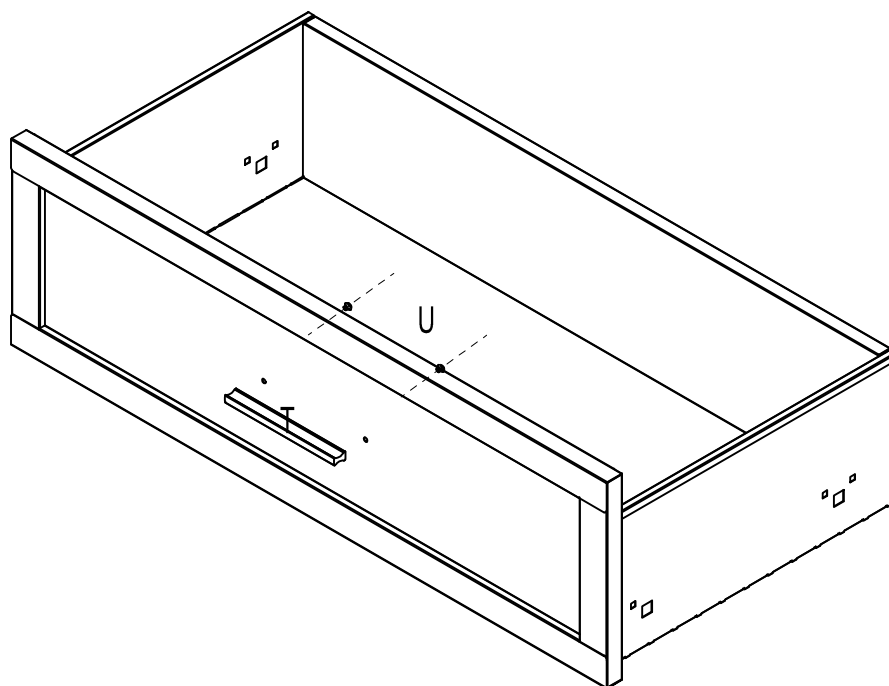


11

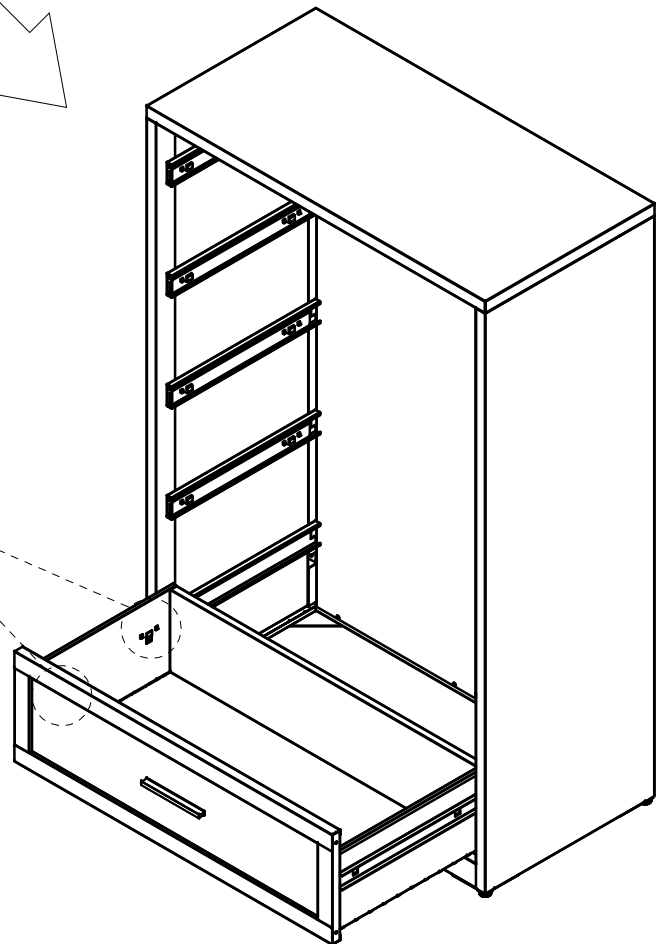
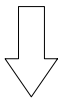
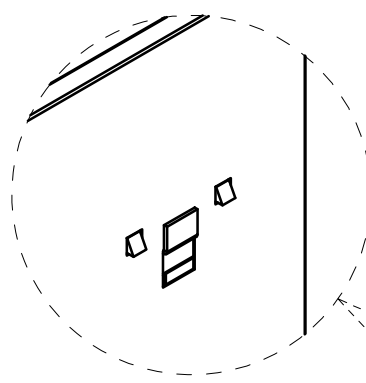
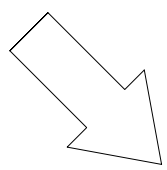
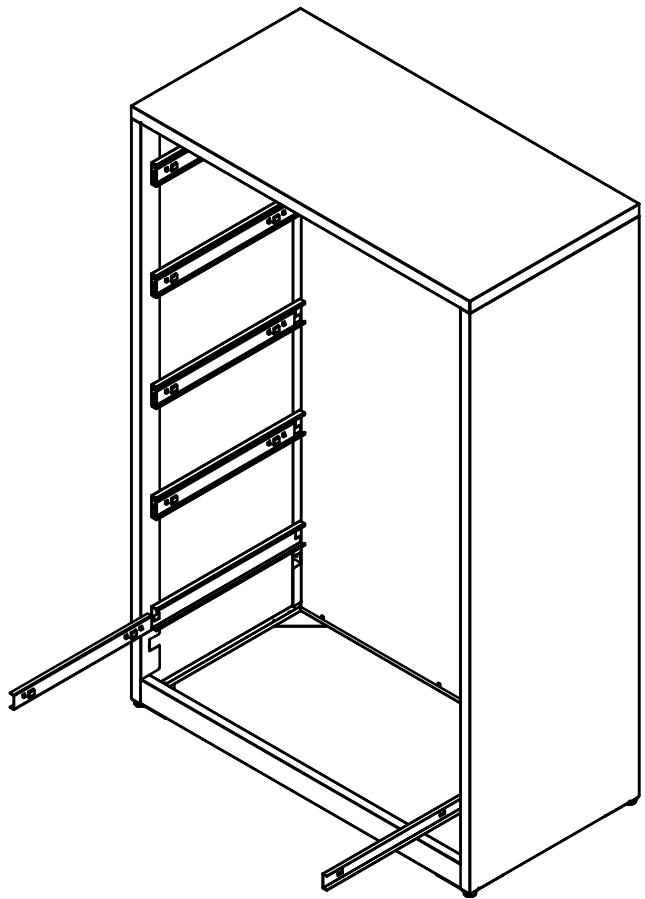
T*5 

Install the five drawers handle 5*T by using 10*U screws.

U*10 



Pull out the inner rails from both drawer slides. Align them with the holes on the drawer and clip the drawer into the slots on the inner rails. After ensuring both side slides are properly installed, push the drawer inward.

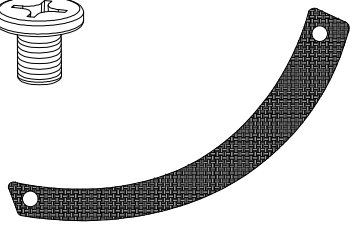


13

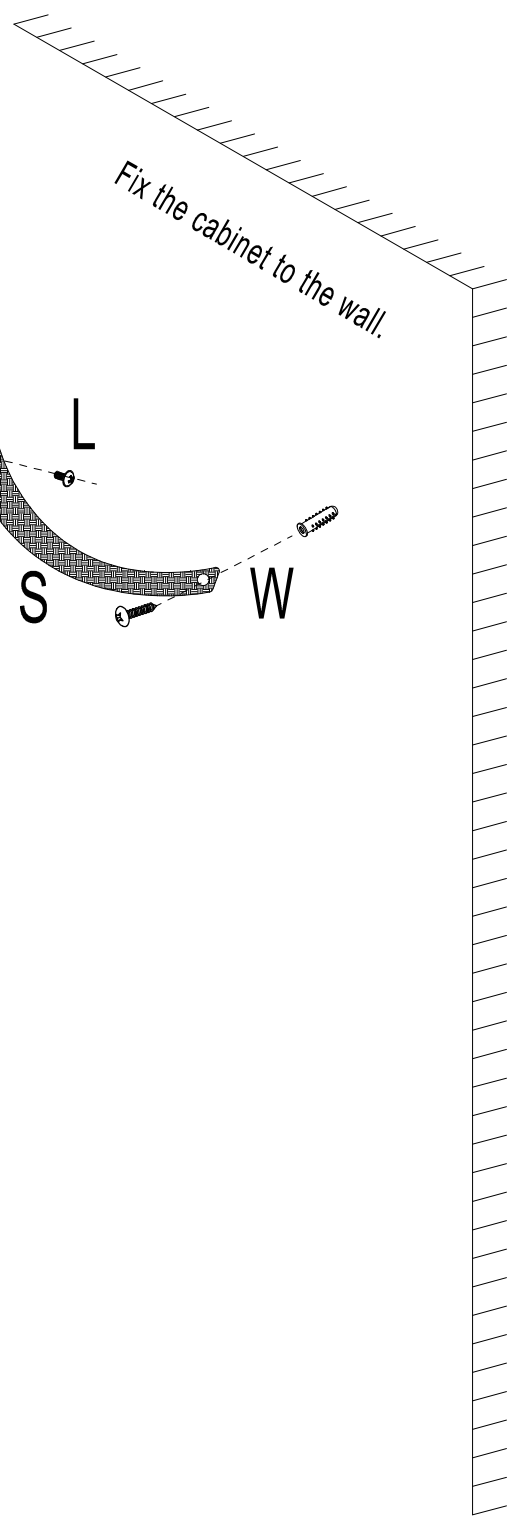
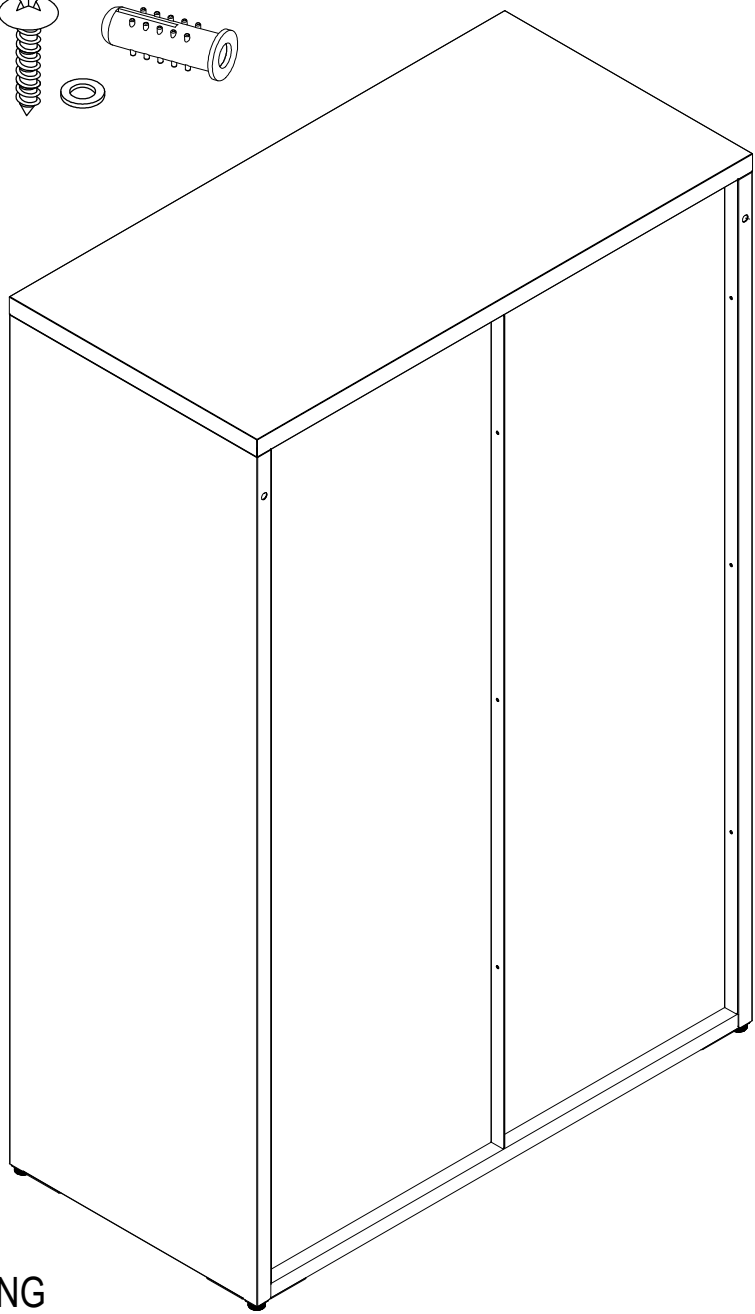
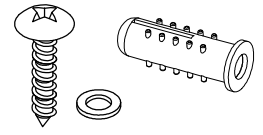
L*2



S*2



W*2



***WARNING**

(Serious or fatal crushing injuries can occur from furniture tip-over. To prevent this furniture from tipping over it must be permanently fixed to the wall.)

Align the holes of the wall anchors with the holes on the top cover of the cabinet.

Using the L screws fasten the 2 anchors to the top of the cabinet.

Push the metal cabinet against the wall. Mark the places on the wall there you are going to drill. Take the Percussion Drill. Drill holes in the marked places.

Take wall plugs W & insert in the drilled holes using a hammer.

Fix the wall anchors to the wall using 2 screw W.

Your metal dresser is ready to use!

THANK YOU FOR BEING PART OF OUR STORY.

