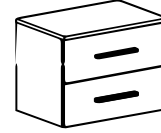


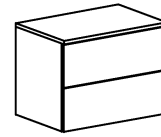
OPCJA A



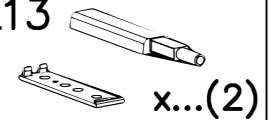
E88



OPCJA B

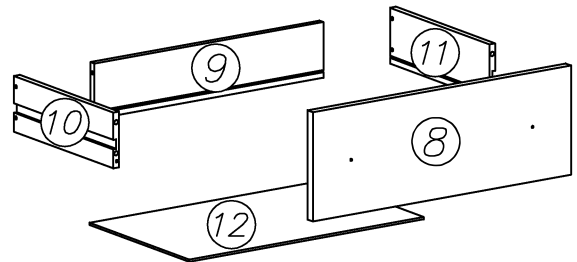
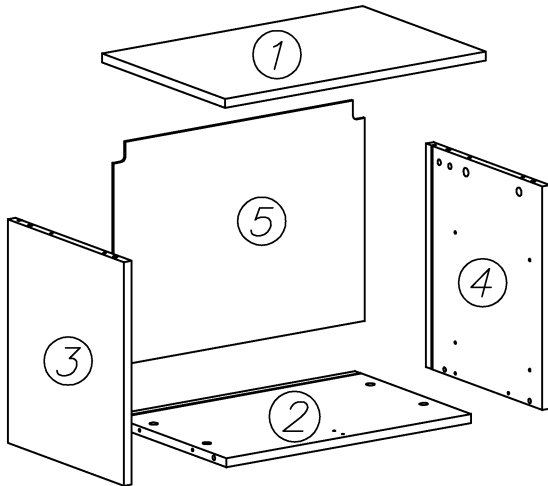


L13



PUSH

G57



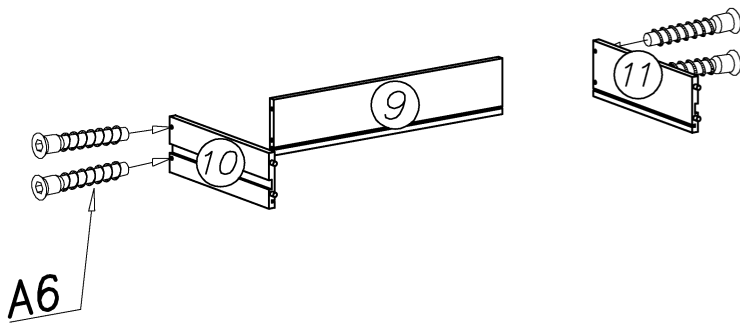
|                           |  |
|---------------------------|--|
| <p>U9R</p> <p>x...(1)</p> | <p>W1</p> <p>GLUE, LEIM, LEPIDLO, LIM</p> <p>x...(1)</p> |
|---------------------------|--|

|                           |                                       |                                       |                         |
|---------------------------|---------------------------------------|---------------------------------------|-------------------------|
| <p>U9L</p> <p>x...(1)</p> | <p>H3</p> <p>280mm</p> <p>x...(4)</p> | <p>G50</p> <p>6x13</p> <p>x...(8)</p> | <p>W10</p> <p>300mm</p> |
|---------------------------|---------------------------------------|---------------------------------------|-------------------------|

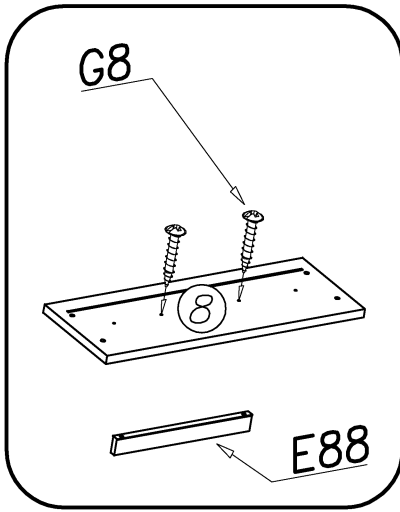
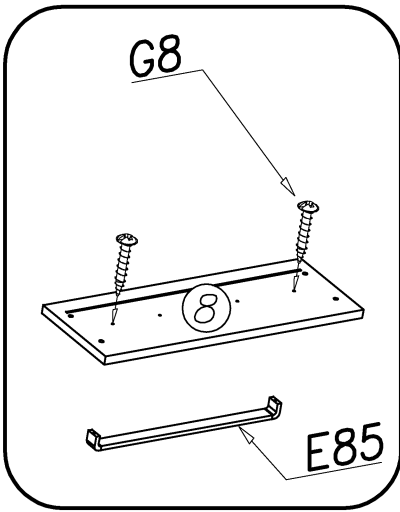
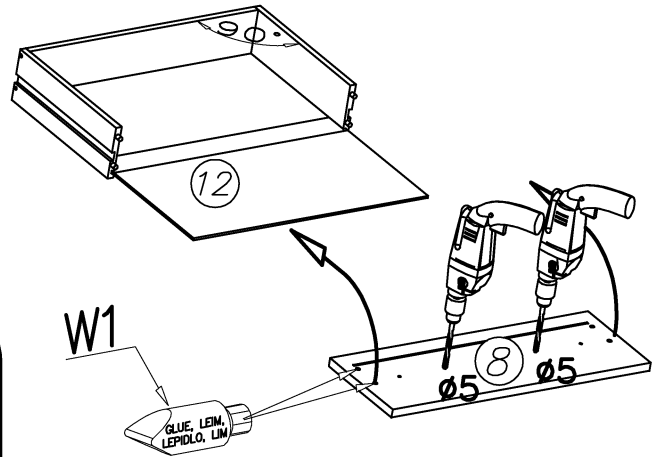
|  |                                      |                                      |                          |
|--|--------------------------------------|--------------------------------------|--------------------------|
| <p>K1</p> <p>ø15x12</p> <p>x...(8)</p> | <p>G8</p> <p>4x30</p> <p>x...(4)</p> | <p>N1</p> <p>M4x9</p> <p>x...(4)</p> | <p>I1</p> <p>x...(6)</p> |
|--|--------------------------------------|--------------------------------------|--------------------------|

|                           |                                       |                          |                                       |
|---------------------------|---------------------------------------|--------------------------|---------------------------------------|
| <p>K10</p> <p>x...(8)</p> | <p>B1</p> <p>ø8x35</p> <p>x...(8)</p> | <p>W2</p> <p>x...(1)</p> | <p>A6</p> <p>ø7x40</p> <p>x...(8)</p> |
|---------------------------|---------------------------------------|--------------------------|---------------------------------------|

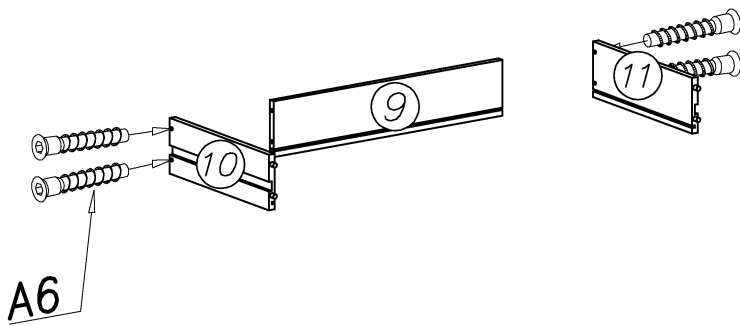
I



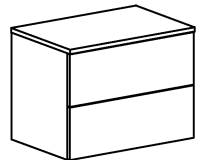
OPCJA A



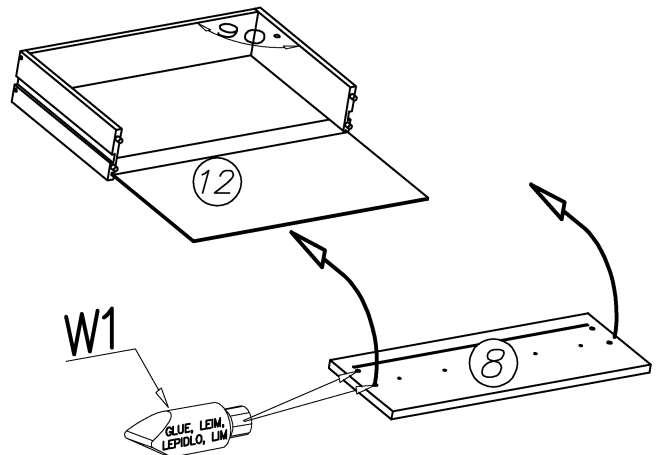
II



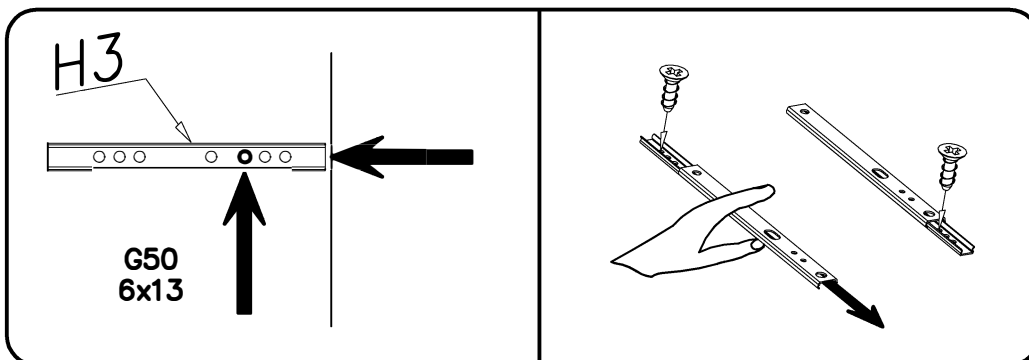
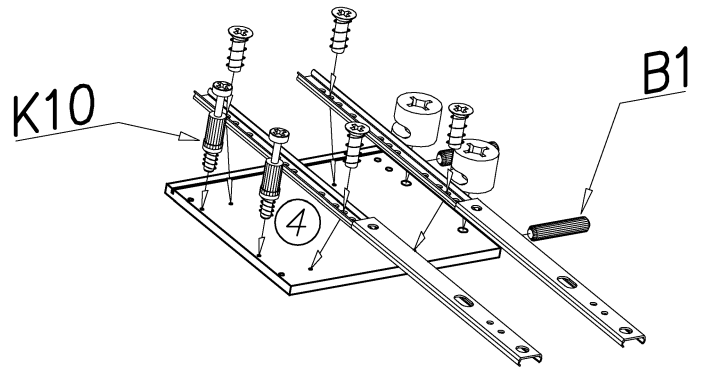
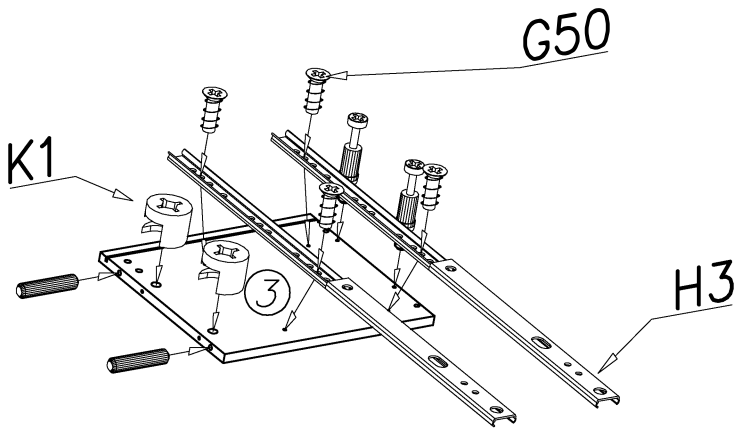
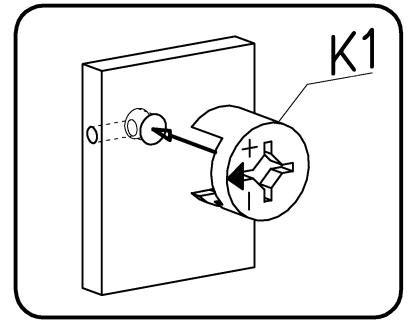
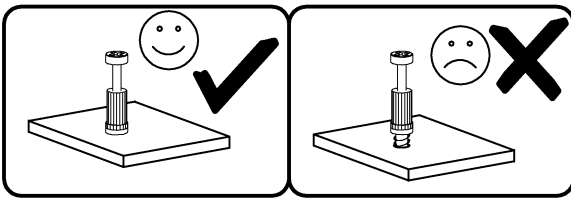
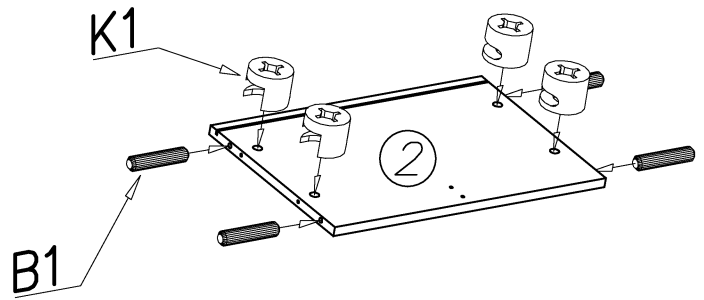
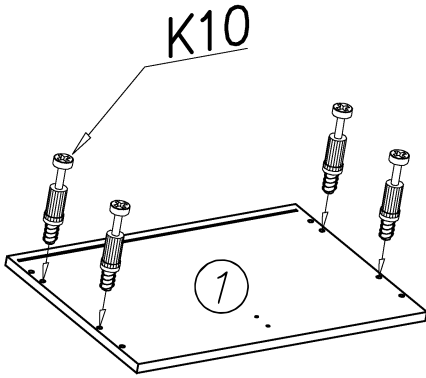
OPCJA B



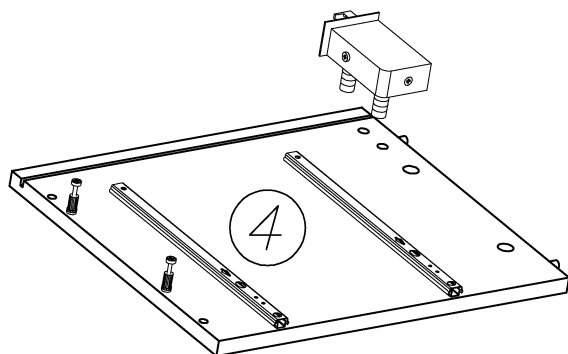
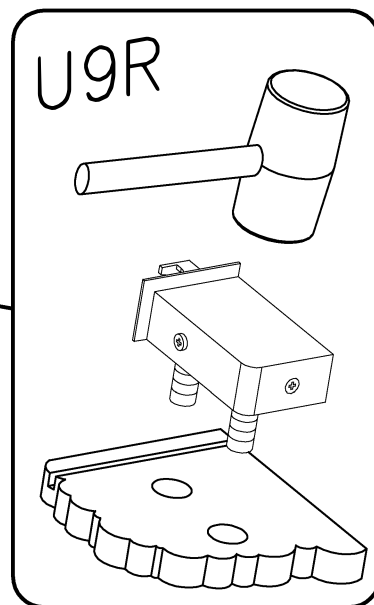
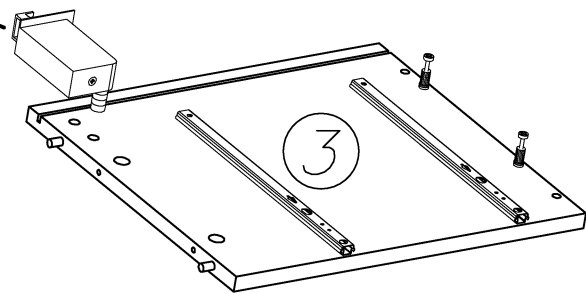
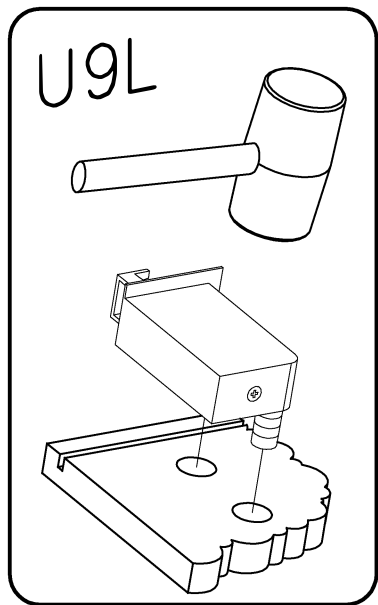
PUSH



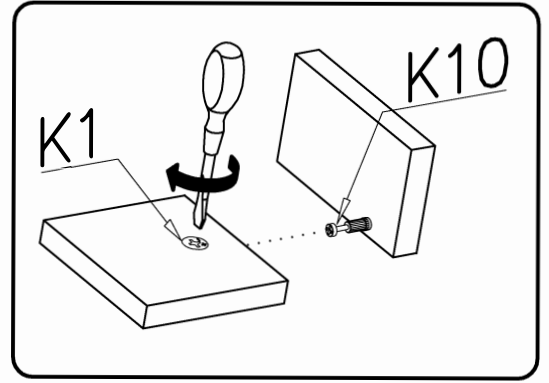
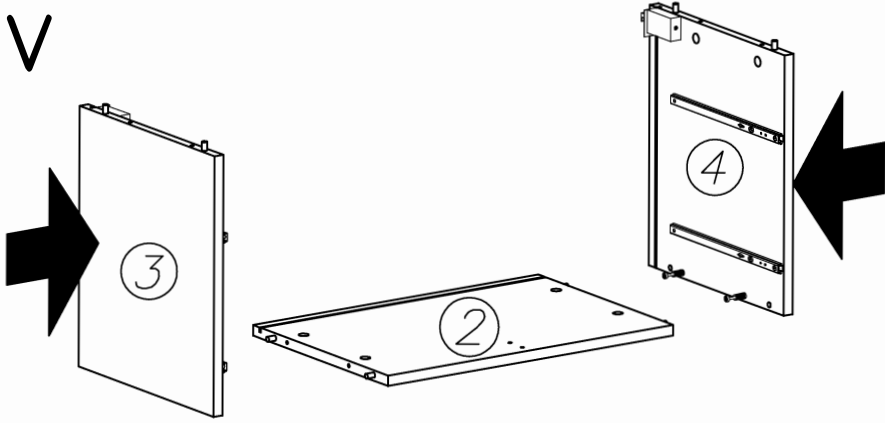
III



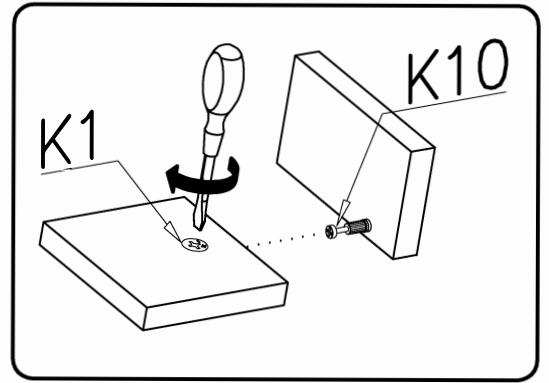
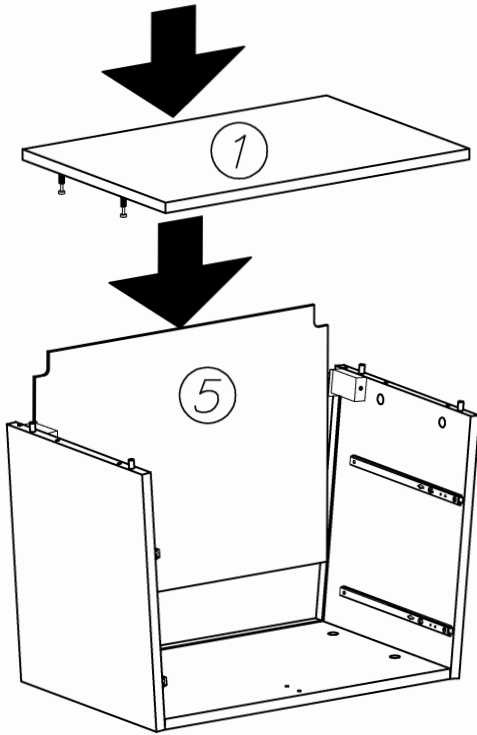
# IV



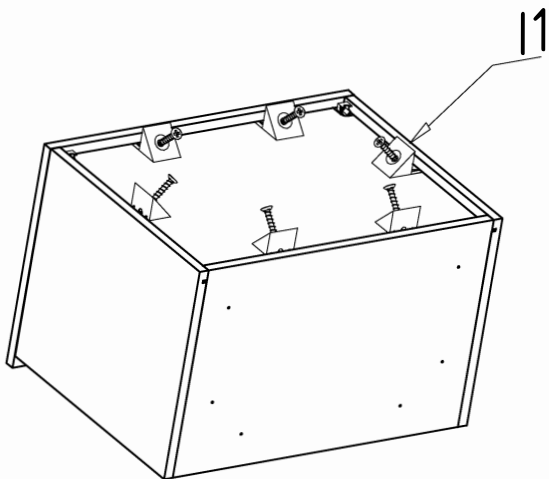
V



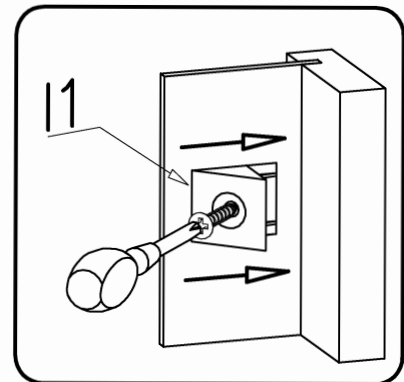
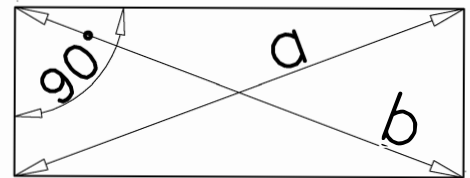
VI



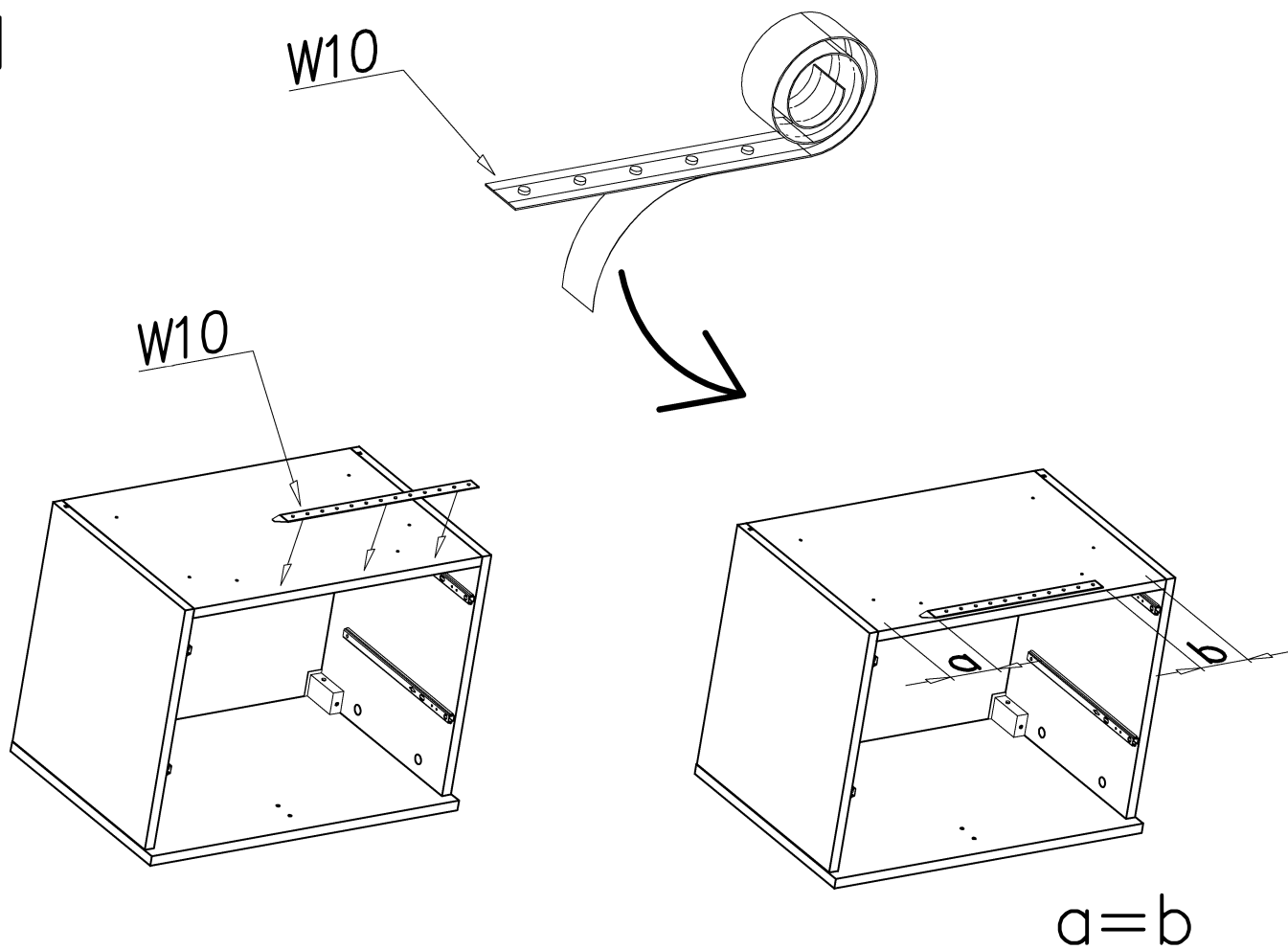
VII



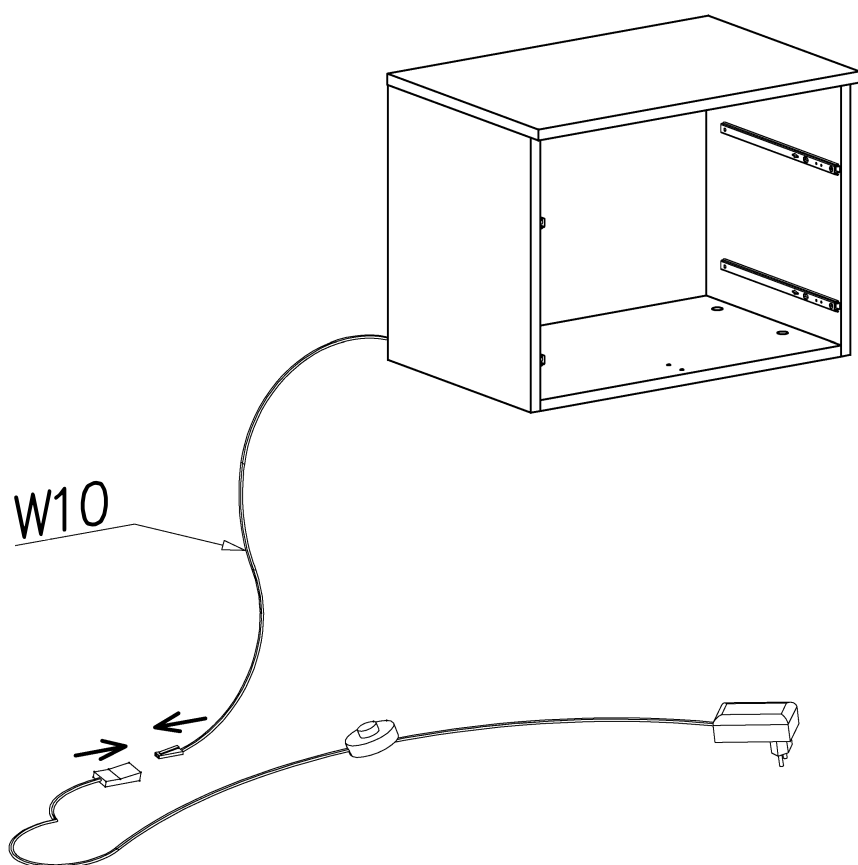
$$a = b$$



# VIII

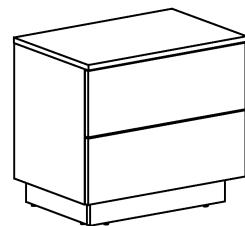


# IX

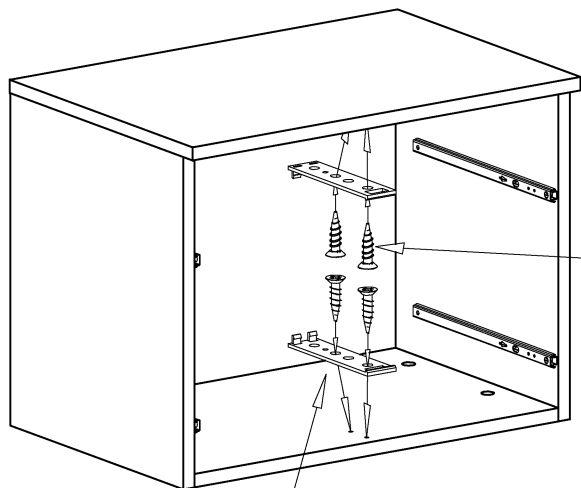


X

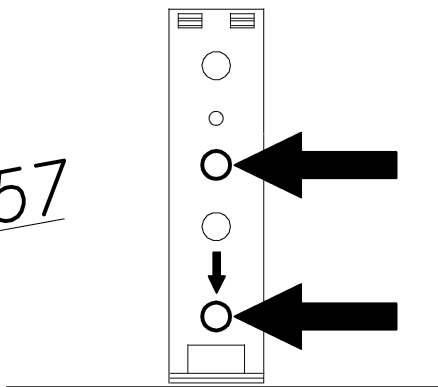
OPCJA B



PUSH

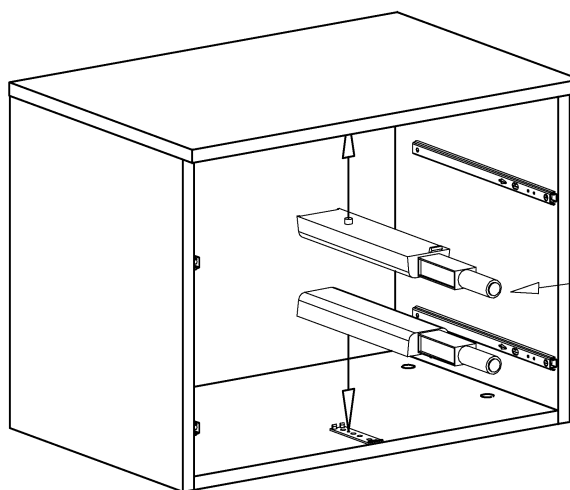


G57



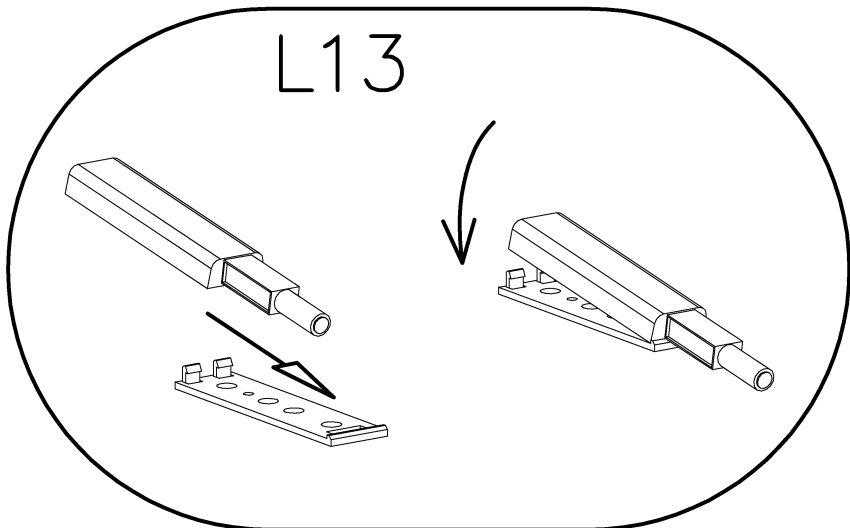
front

L13

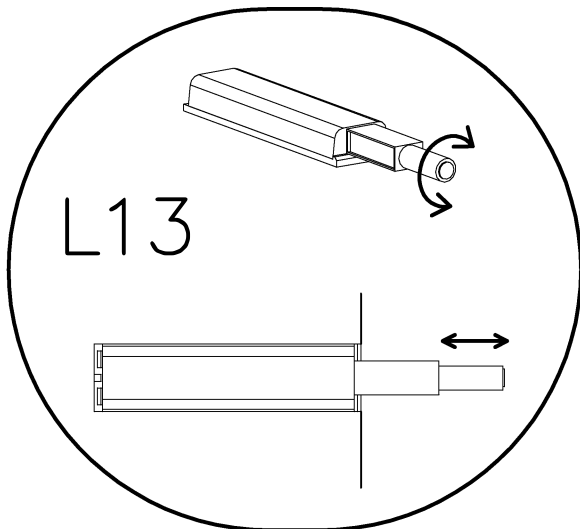


L13

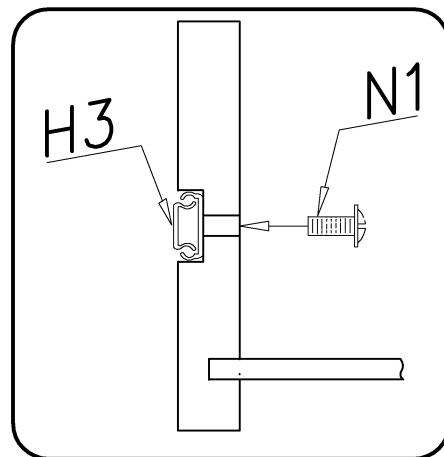
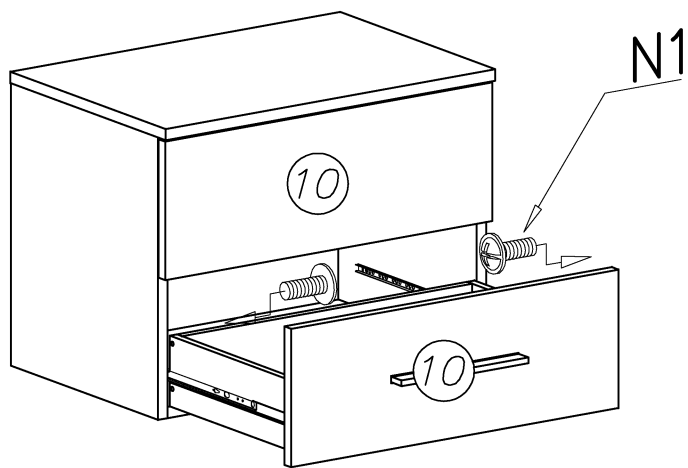
L13



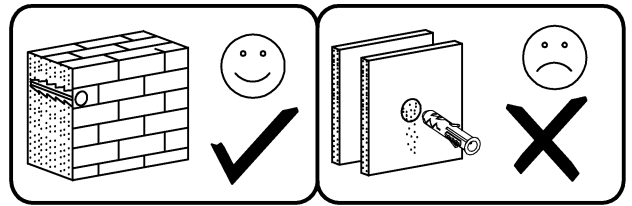
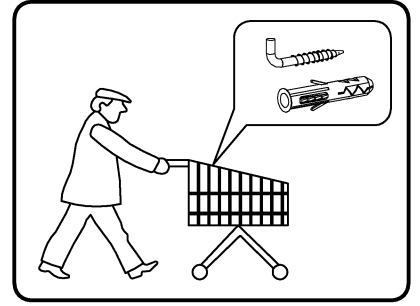
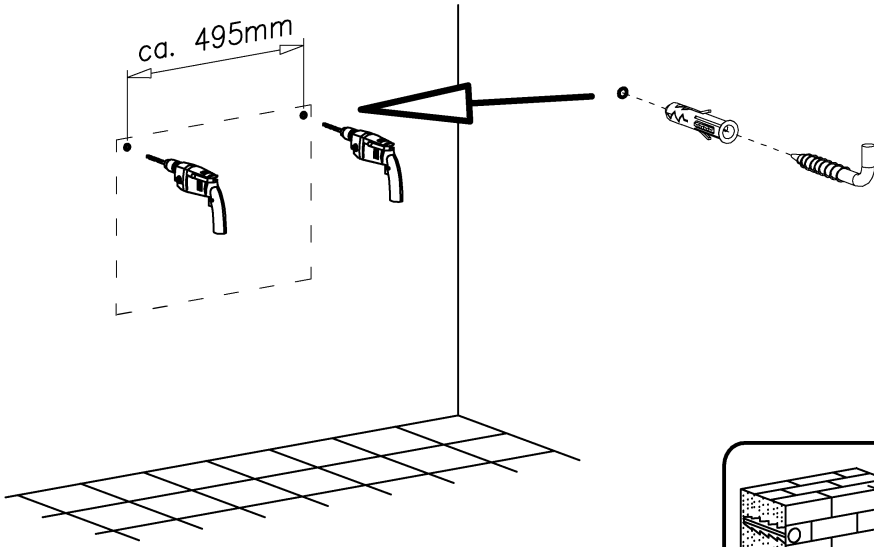
L13



# XI



# XII



# XIII

