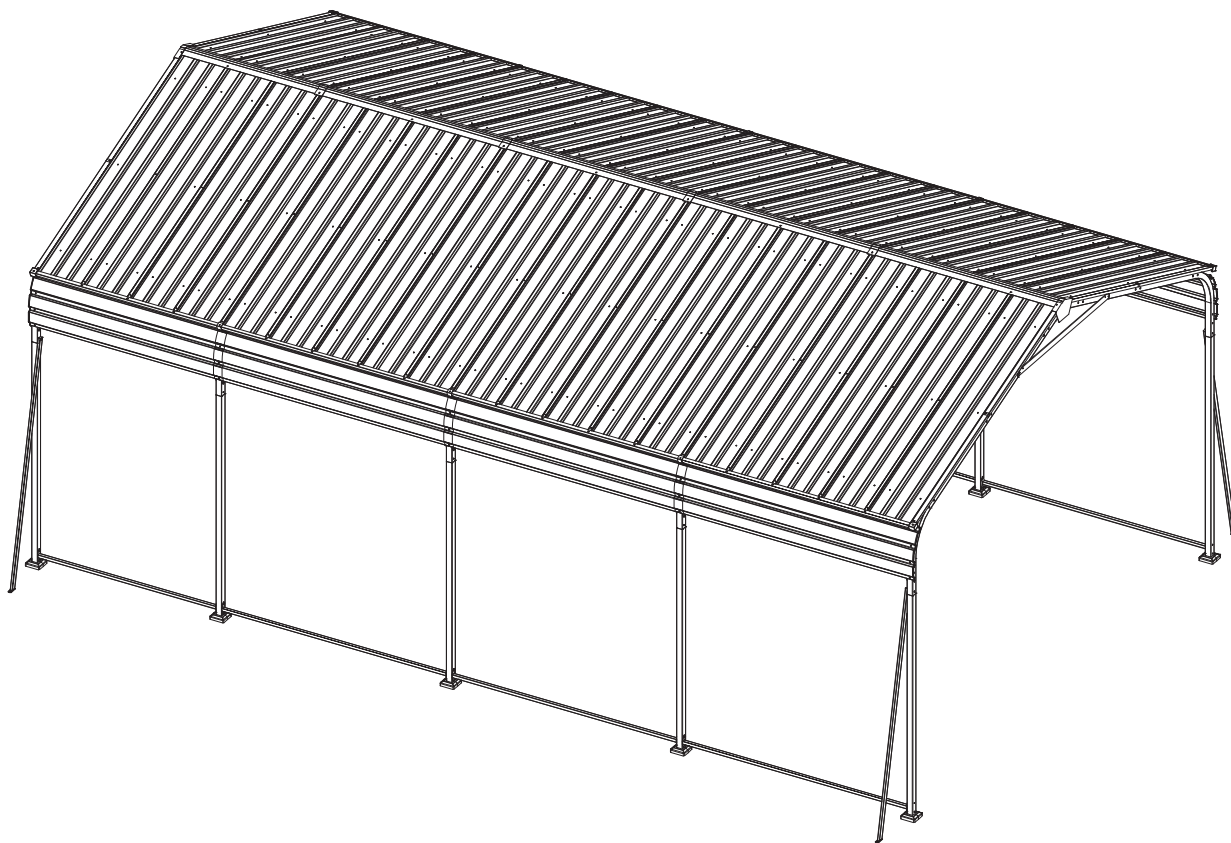


NUU  **GARDEN**®

— ENJOY LIFE · SHARE HAPPINESS —

INSTRUCTION MANUAL



Steel Carport

G003BK-02

INTRODUCTION

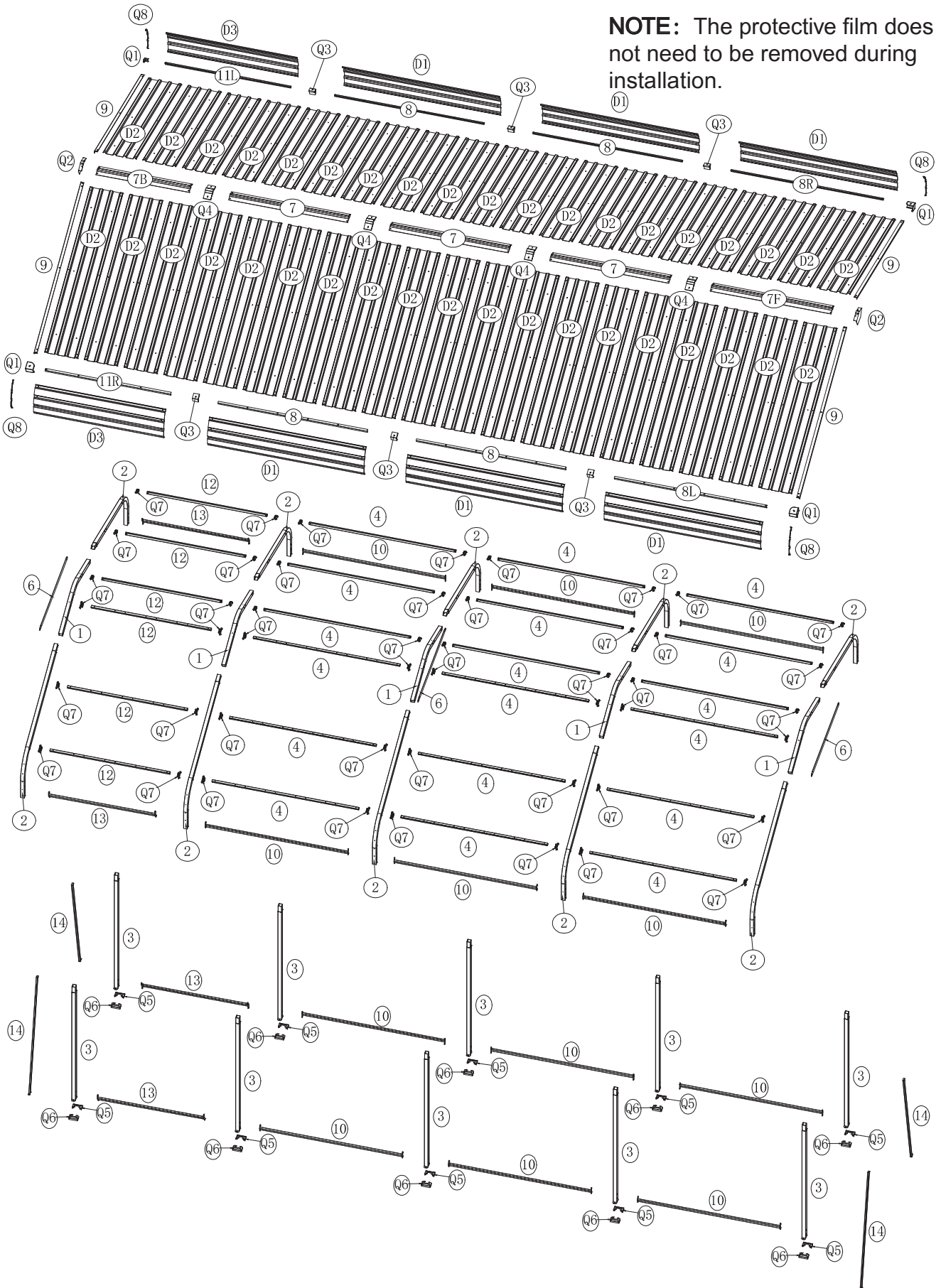
Thanks for purchasing and trusting NUUGARDEN with your home decorating plans. This product is a piece of furniture designed and made by NUUGARDEN Corp.

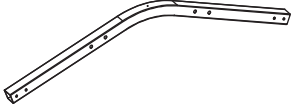













We are committed to R&D and innovation and creating the most exquisite and diverse outdoor series.








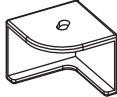
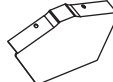
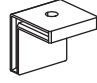



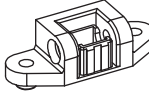
After unpacking and before every use, check whether the item shows any damage. In addition, check that you have all parts and hardware before assembly. If there is any damage, please do not use it and call customer service at (800) 257-7108 or email service@nuugarden.com. If you do not have all the parts lists, have your dealer contact us and we will send them to you immediately.



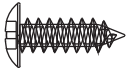


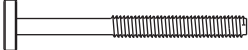
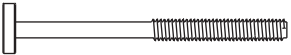


This furniture is for outdoor use only. Please take time to read and follow the instructions below. Then, use this item as described in this operating manual. We accept no liability for damage caused by improper use.





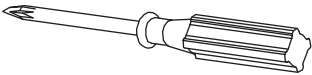

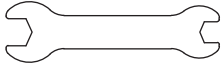

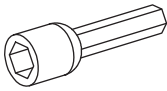
NOTE: The protective film does not need to be removed during installation.



NO.	PART.	Qty.
1		5
2		10
3		10
4		18
6		3
7		3
7F		1
7B		1
8		4
8L		1
8R		1
9		4
10		12
11L		1

NO.	PART.	Qty.
11R		1
12		6
13		4
14		4
D1		6
D2		38
D3		2
Q1		4
Q2		2
Q3		6
Q4		4
Q5		10
Q6		10
Q7		48

NO.	PART.	Qty.
Q8		4
Q9		130
Q32		200+10
Q13		230+10
Q14		48+3
Q15		90+3
Q16		40+2
Q17		178+5
Q18		200+10

NO.	PART.	Qty.
Q19		190+10
Q20		130+10
Q21		24
Q22		2
Q23		1
Q24		1
Q25		1
Q26		1
Q27		1

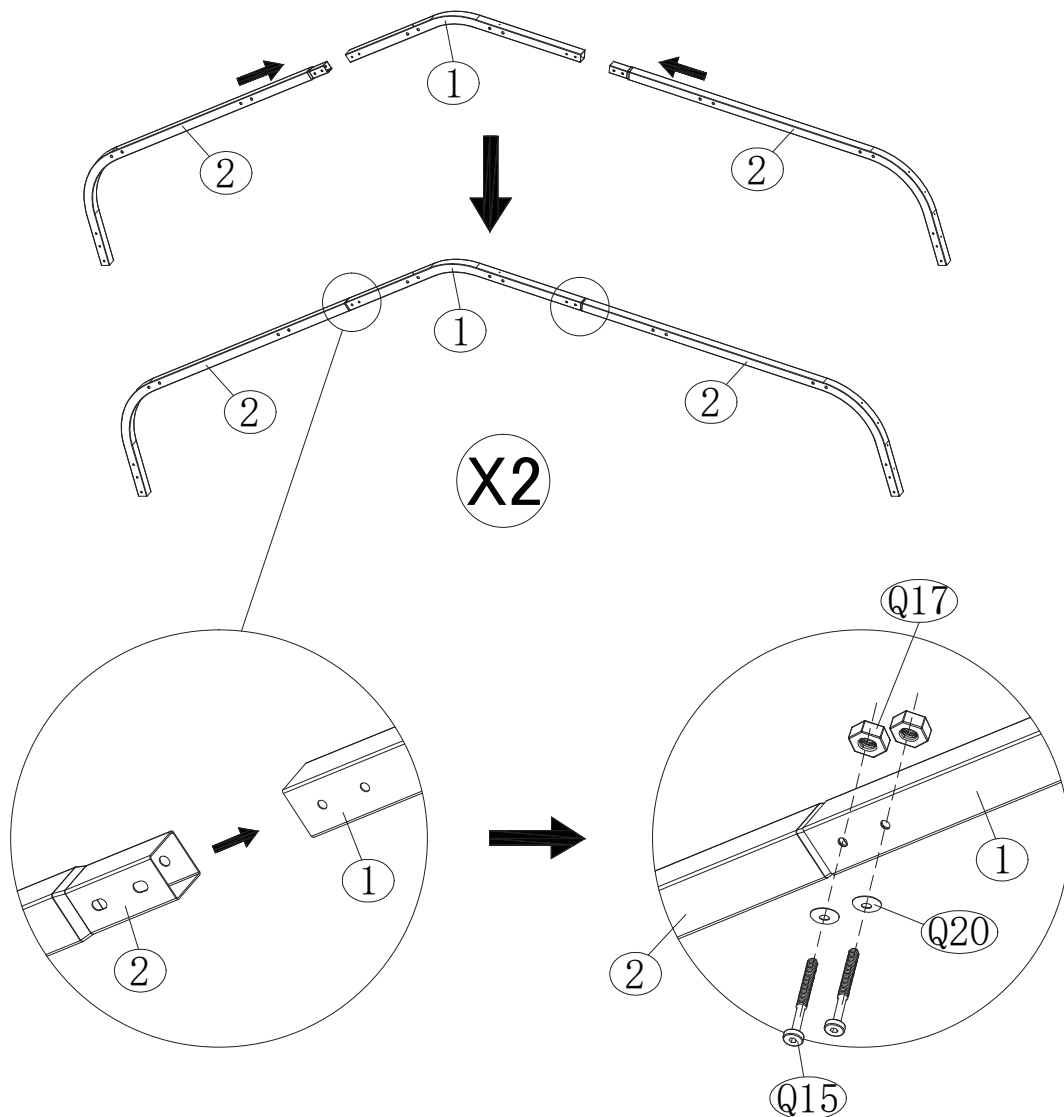
ASSEMBLY INSTRUCTIONS



CAVEAT

Note: Please tighten the bolts after each installation step.

NO.	PART.	Qty.
1		2
2		4
Q15		8
Q17		8
Q20		8



STEP 1

Attach support rod (1) to 2 support rods (2) using 4 bolts (Q15), 4 washers (Q20) and 4 nuts (Q17). Repeat the installation twice.

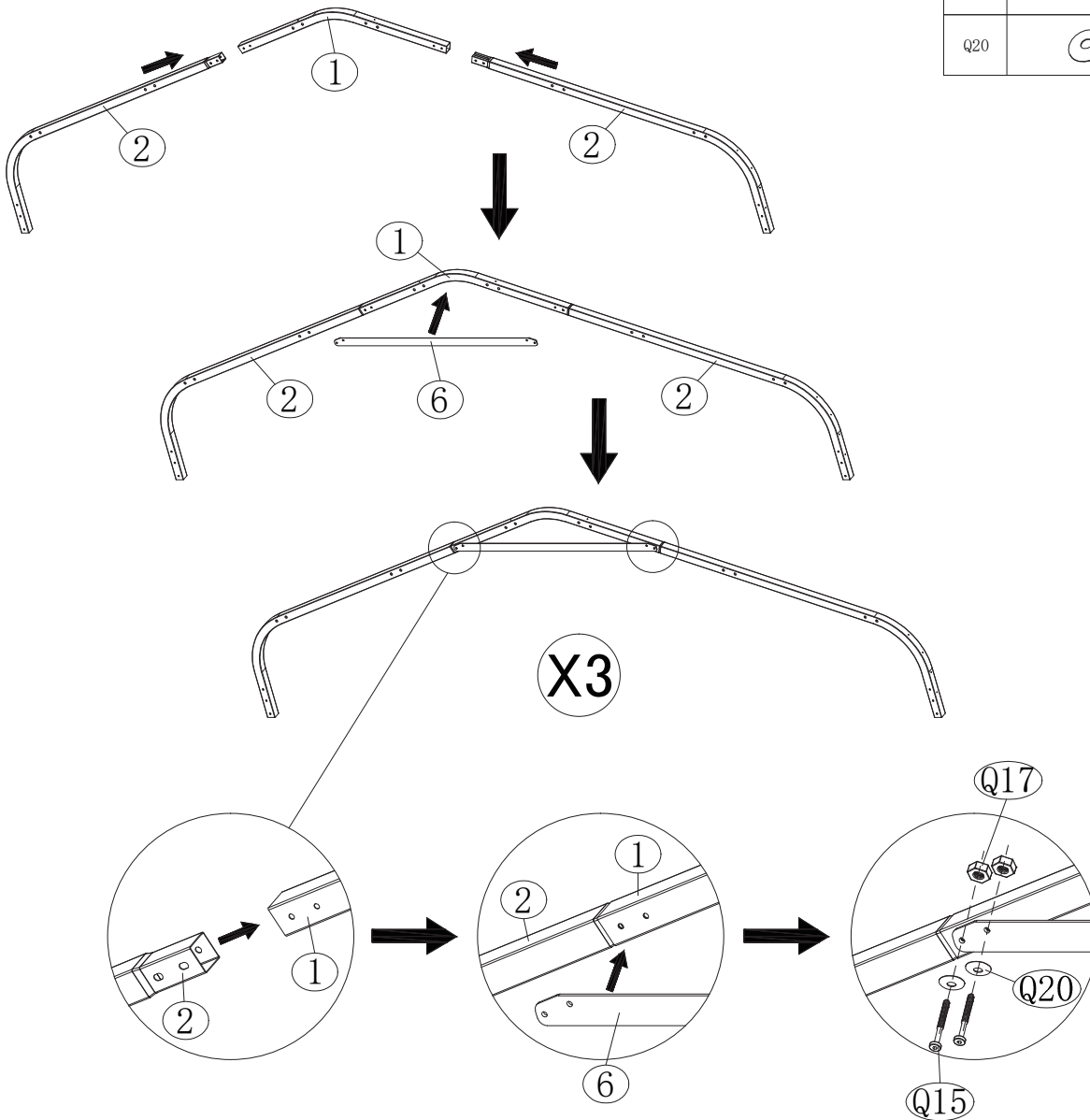
ASSEMBLY INSTRUCTIONS



CAVEAT

Note: Please tighten the bolts after each installation step.

NO.	PART.	Qty.
1		3
2		6
6		3
Q15		12
Q17		12
Q20		12



STEP 2

After inserting the 2 support rods (2) into the support rod (1), connect the support rod (6) using 4 bolts (Q15), 4 washers (Q20) and 4 nuts (Q17). Repeat the installation 3 times.

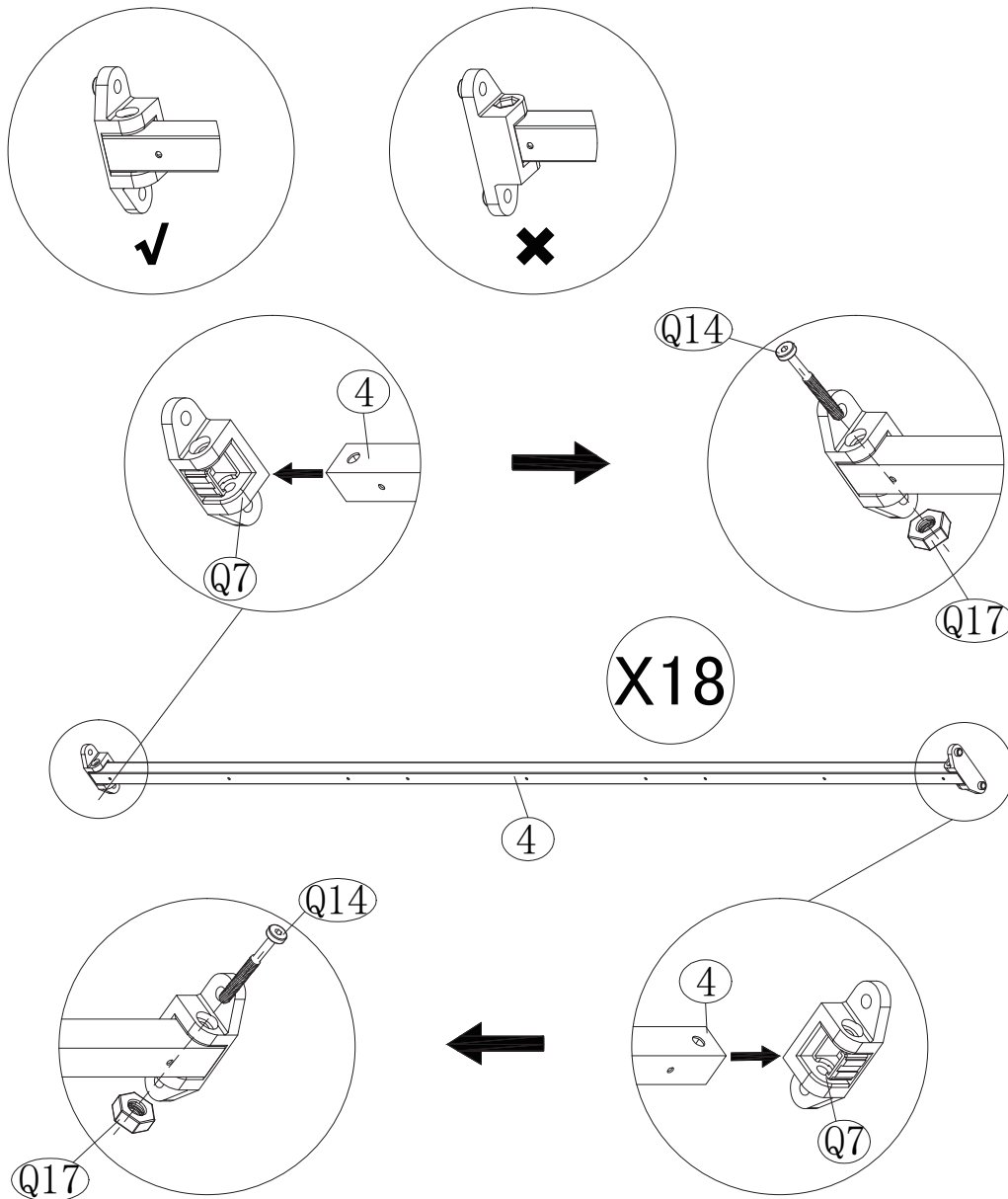
ASSEMBLY INSTRUCTIONS



CAVEAT

Note: Please tighten the bolts after each installation step.

NO.	PART.	Qty.
4		18
Q7		36
Q14		36
Q17		36



STEP 3

Install 2 parts (Q7) at both ends of the support rod (4) with 2 bolts (Q14) and 2 nuts (Q17). Repeat the installation 18 times.

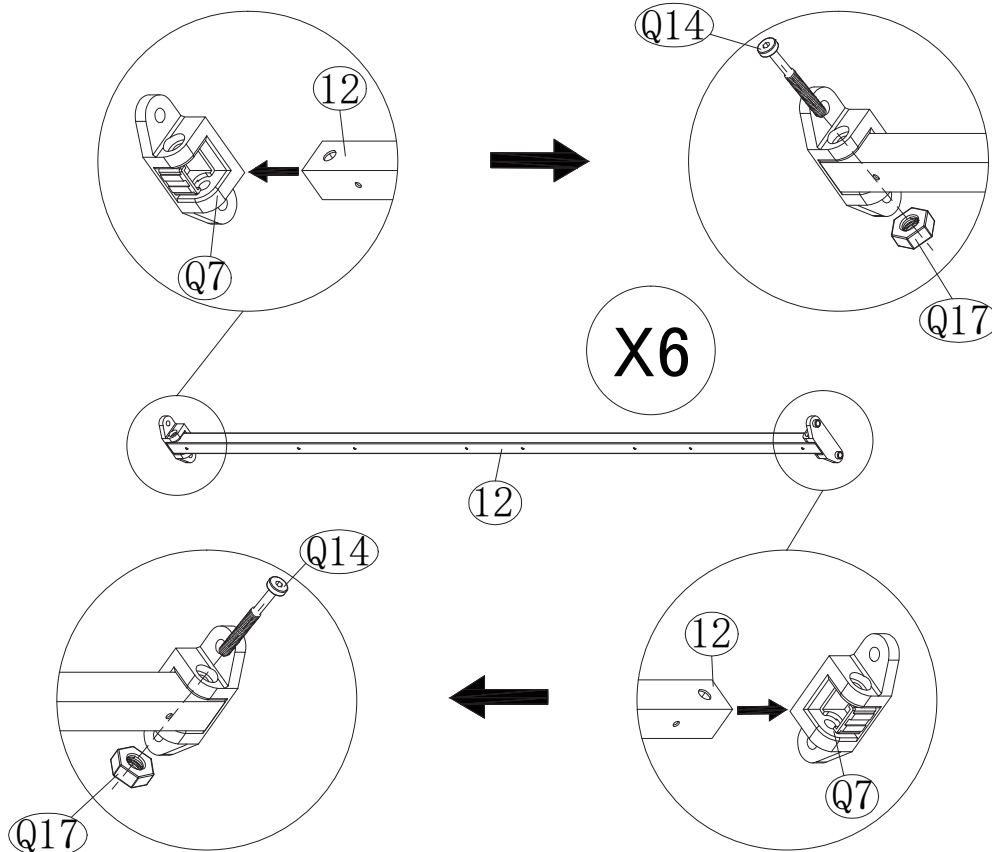
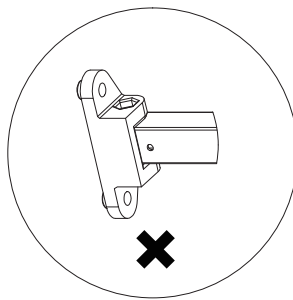
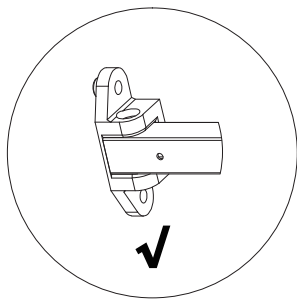
ASSEMBLY INSTRUCTIONS



CAVEAT

Note: Please tighten the bolts after each installation step.

NO.	PART.	Qty.
12		6
Q7		12
Q14		12
Q17		12



STEP 4

Install 2 parts (Q7) at both ends of the support rod (12) with 2 bolts (Q14) and 2 nuts (Q17). Repeat the installation 6 times.

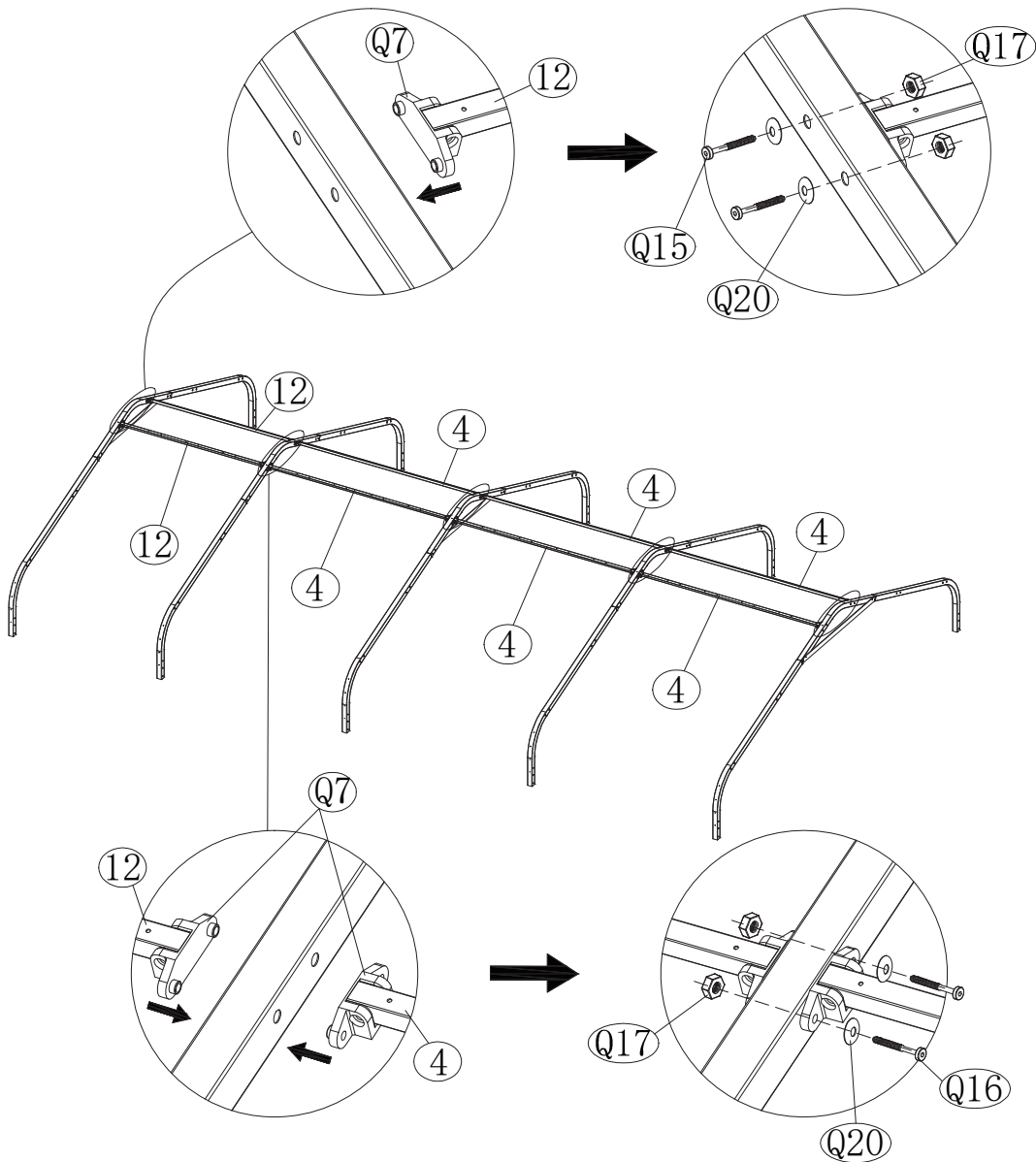
ASSEMBLY INSTRUCTIONS



CAVEAT

Note: Please tighten the bolts after each installation step.

NO.	PART.	Qty.
Q15		8
Q16		12
Q17		20
Q20		20



STEP 5

Using 8 bolts (Q15), 8 washers (Q20) and 8 nuts (Q17) for connecting the support rods at both ends. Using 12 bolts (Q16), 12 washers (Q20) and 12 nuts (Q17) for connecting the middle support rod. Note that the support rods with and without crossbars are installed in a staggered arrangement.

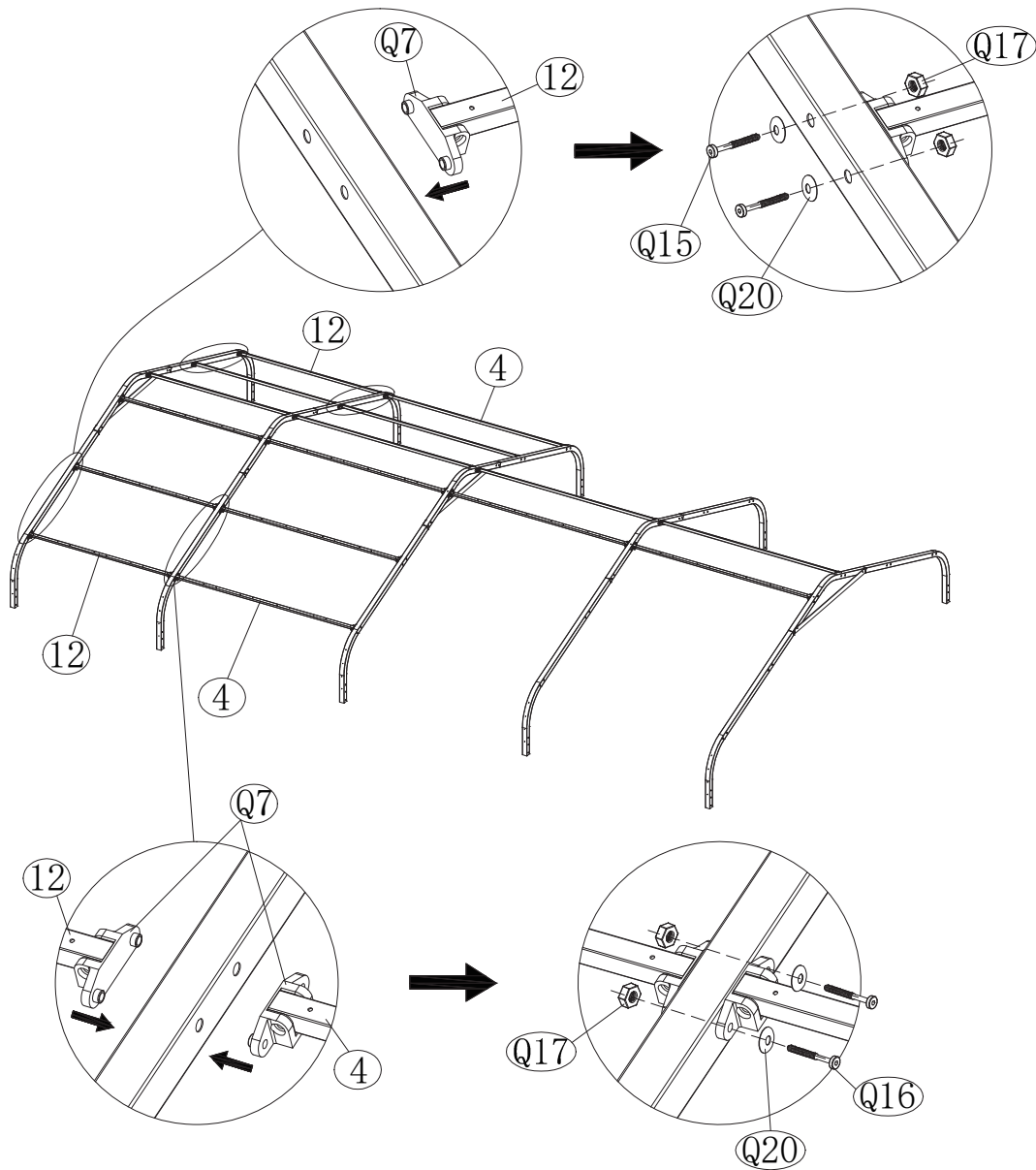
ASSEMBLY INSTRUCTIONS



CAVEAT

Note: Please tighten the bolts after each installation step.

NO.	PART.	Qty.
Q15		8
Q16		8
Q17		16
Q20		16



STEP 6

The left end support rod is installed with 8 bolts (Q15), 8 washers (Q20) and 8 nuts (Q17). The middle support rod is installed with 8 bolts (Q16), 8 washers (Q20) and 8 nuts (Q17).

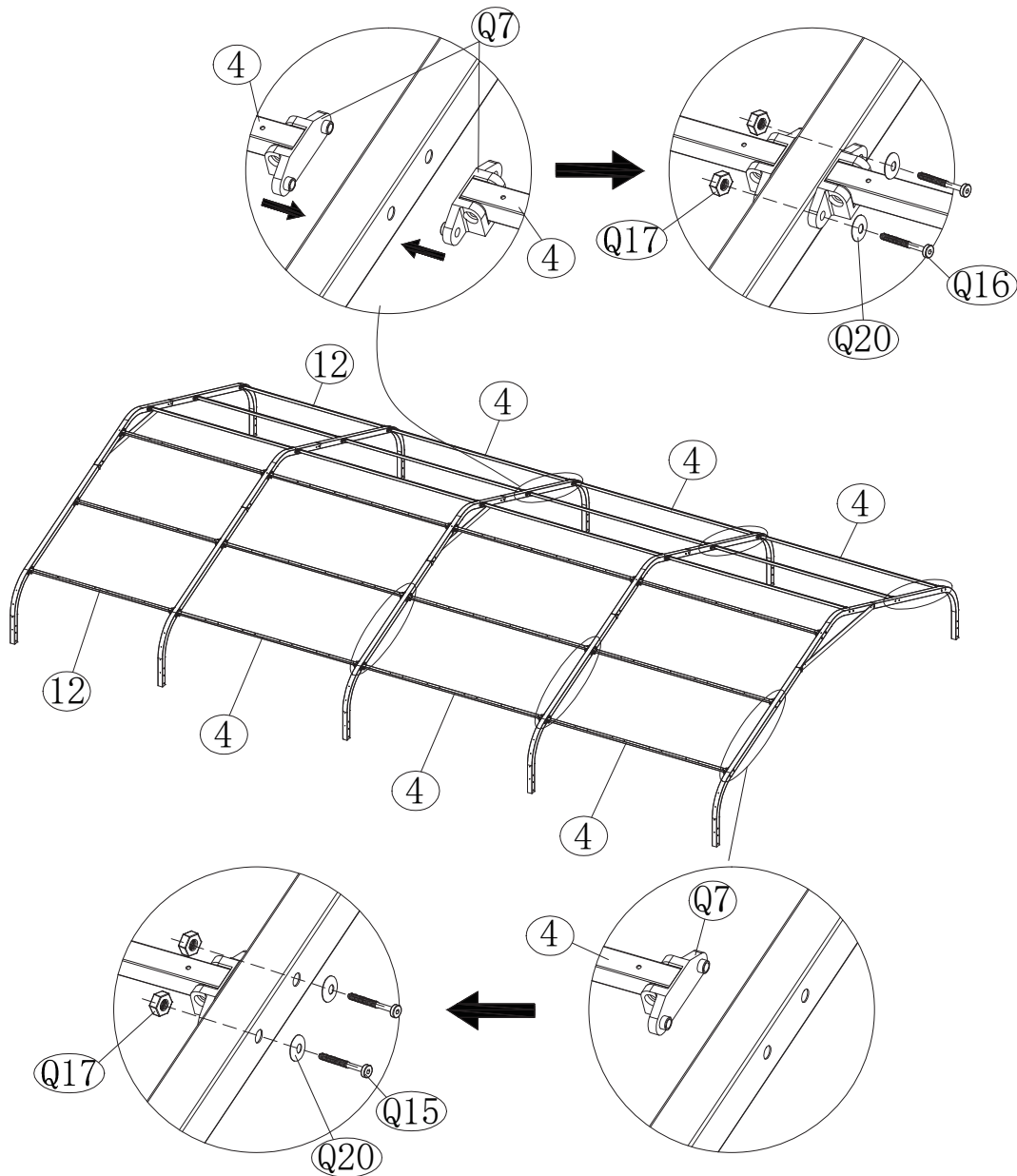
ASSEMBLY INSTRUCTIONS



CAVEAT

Note: Please tighten the bolts after each installation step.

NO.	PART.	Qty.
Q15		8
Q16		16
Q17		24
Q20		24



STEP 7

The middle support rod is installed with 16 bolts (Q16), 16 washers (Q20) and 16 nuts (Q17). The right end support rod is installed with 8 bolts (Q15), 8 washers (Q20) and 8 nuts (Q17).

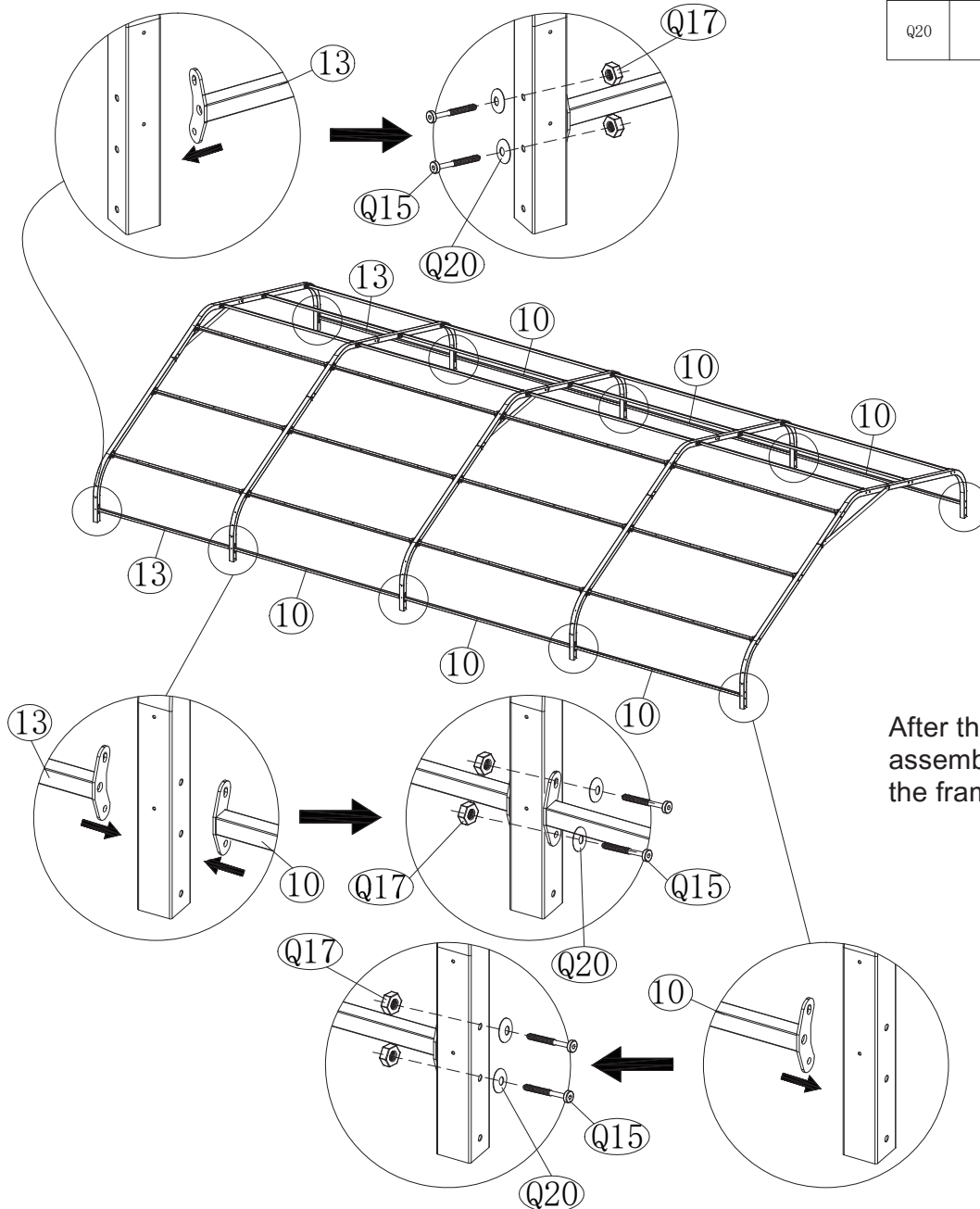
ASSEMBLY INSTRUCTIONS



CAVEAT

Note: Please tighten the bolts after each installation step.

NO.	PART.	Qty.
10		6
13		2
Q15		20
Q17		20
Q20		20



After the frame is assembled, straighten the frame.

STEP 8

Install support rods (10&13) with 20 bolts (Q15), 20 washers (Q20) and 20 nuts (Q17). After the frame is assembled, straighten the frame.

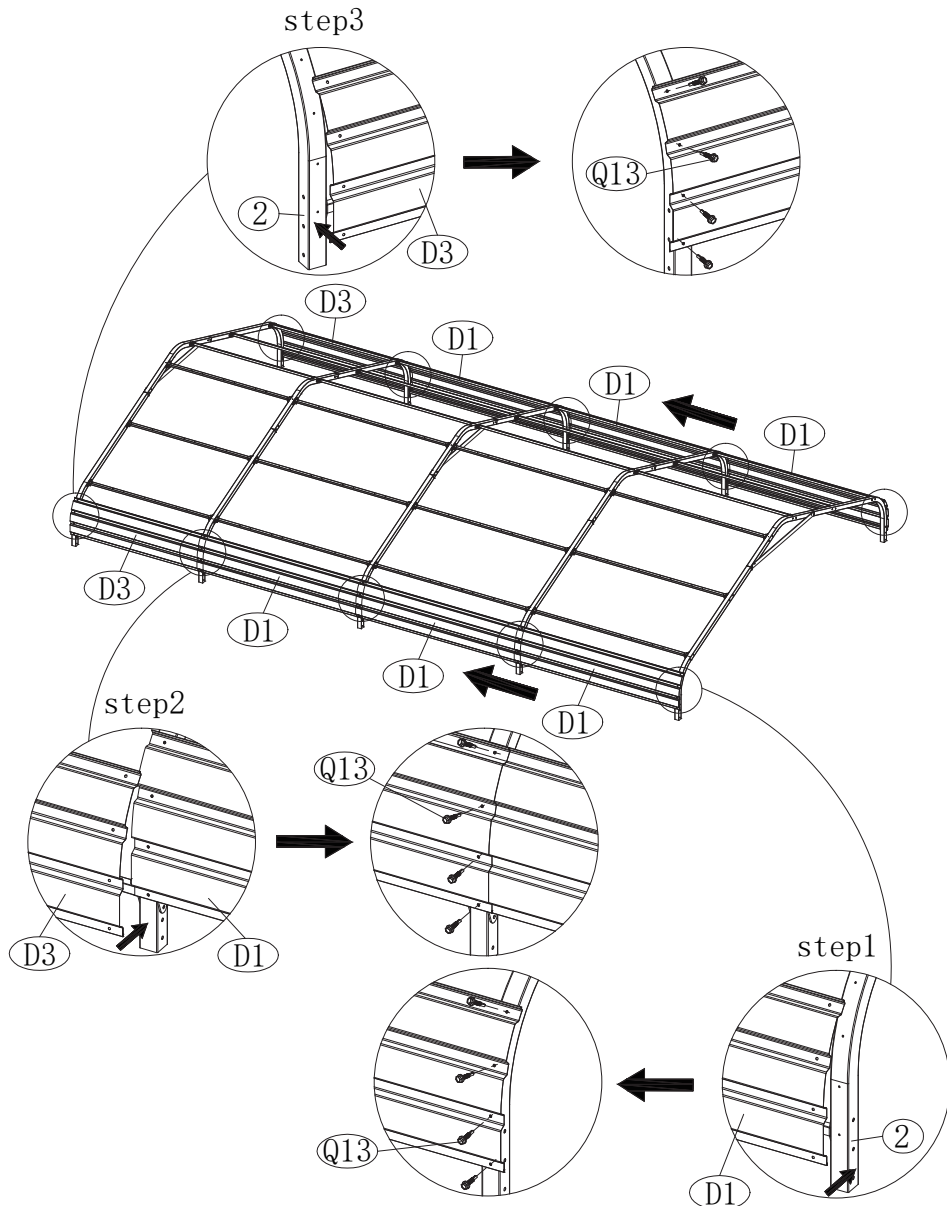
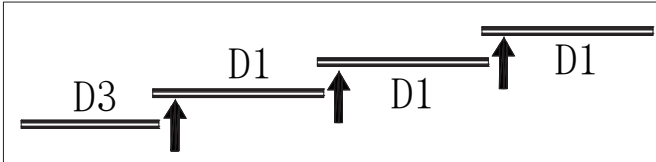
ASSEMBLY INSTRUCTIONS



CAVEAT

Note: Please tighten the bolts after each installation step.

NO.	PART.	Qty.
D1		6
D3		2
Q13		40



STEP 9




Installing tiles (D1&D3) using 40 bolts (Q13).

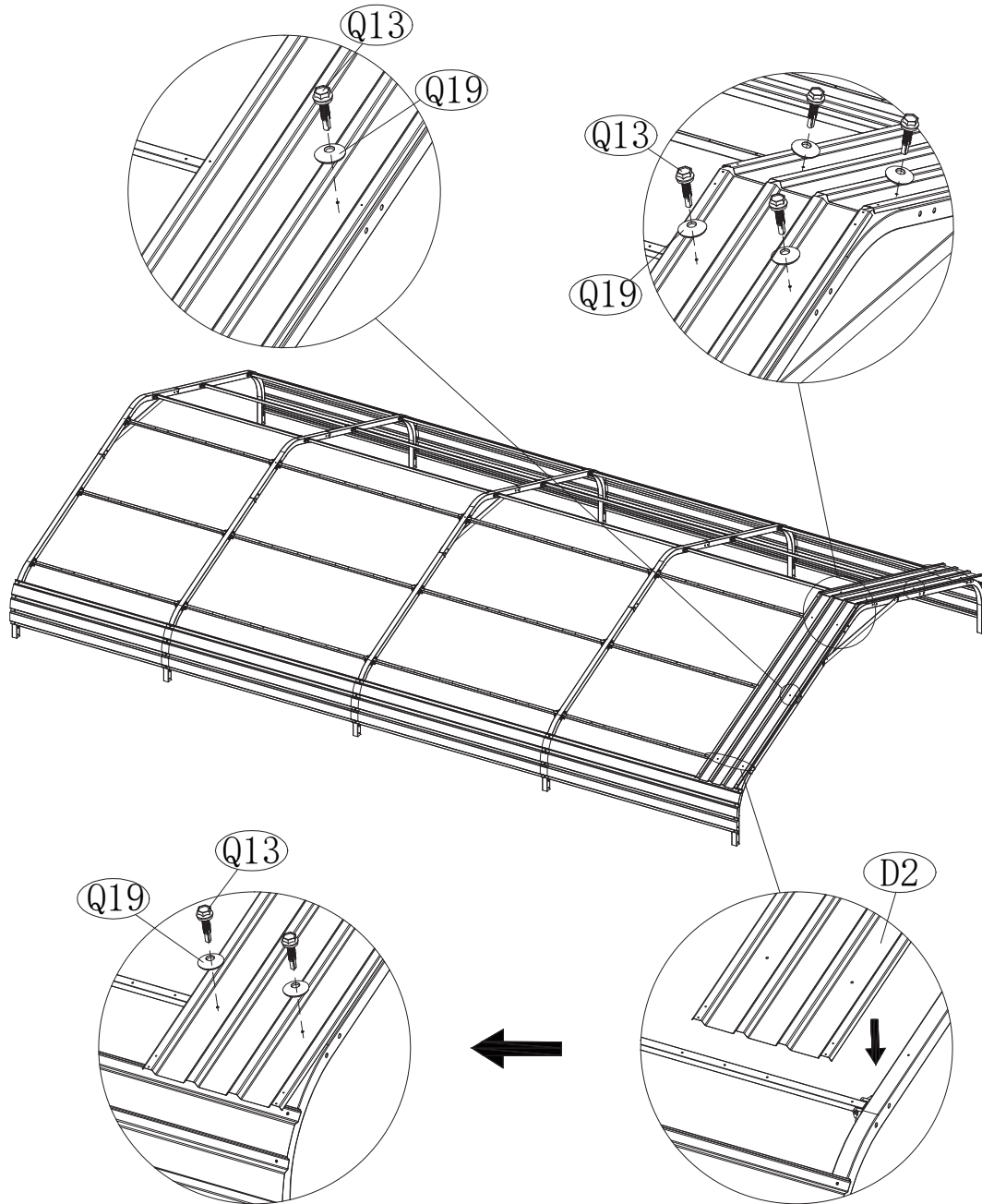
ASSEMBLY INSTRUCTIONS



CAVEAT

Note: Please tighten the bolts after each installation step.

NO.	PART.	Qty.
D2		2
Q13		10
Q19		10



STEP 10

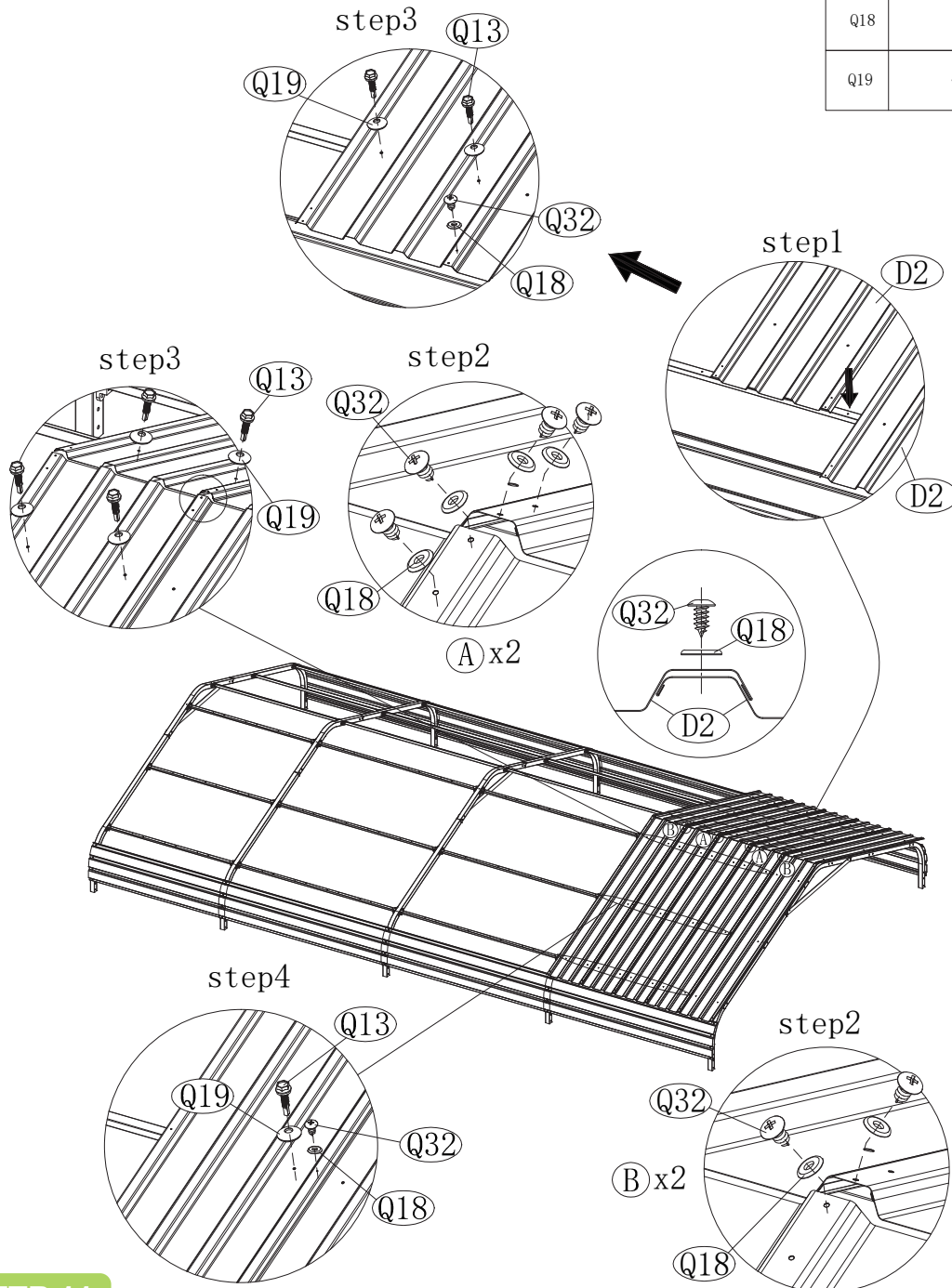
Installing tiles (D2) using 10 bolts (Q13) and 10 washers (Q19).

ASSEMBLY INSTRUCTIONS

CAVEAT

Note: Please tighten the bolts after each installation step.

NO.	PART.	Qty.
D2		8
Q32		28
Q13		40
Q18		28
Q19		40



STEP 11




Installing tiles (D2) using 28 screws (Q32), 40 bolts (Q13), 28 washers (Q18) and 40 washers (Q19). As shown in the figure, the installation is divided into four steps.

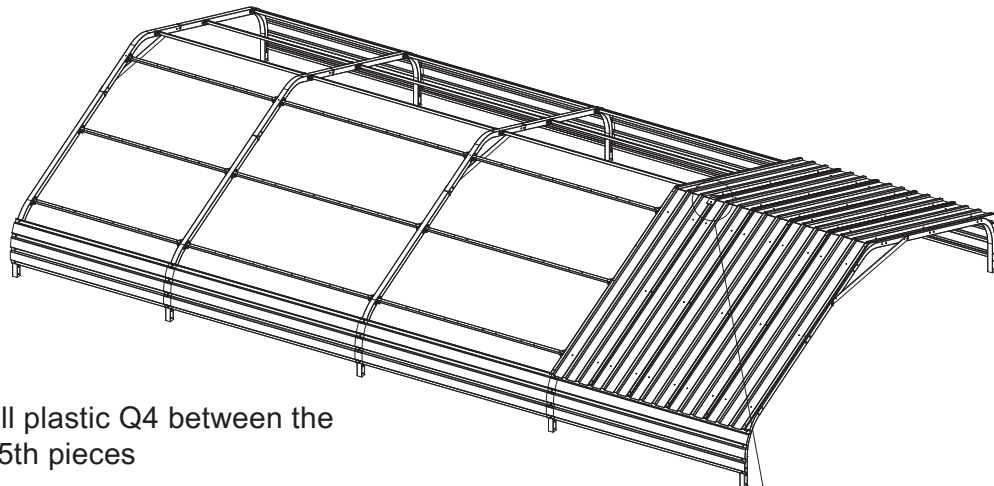
ASSEMBLY INSTRUCTIONS



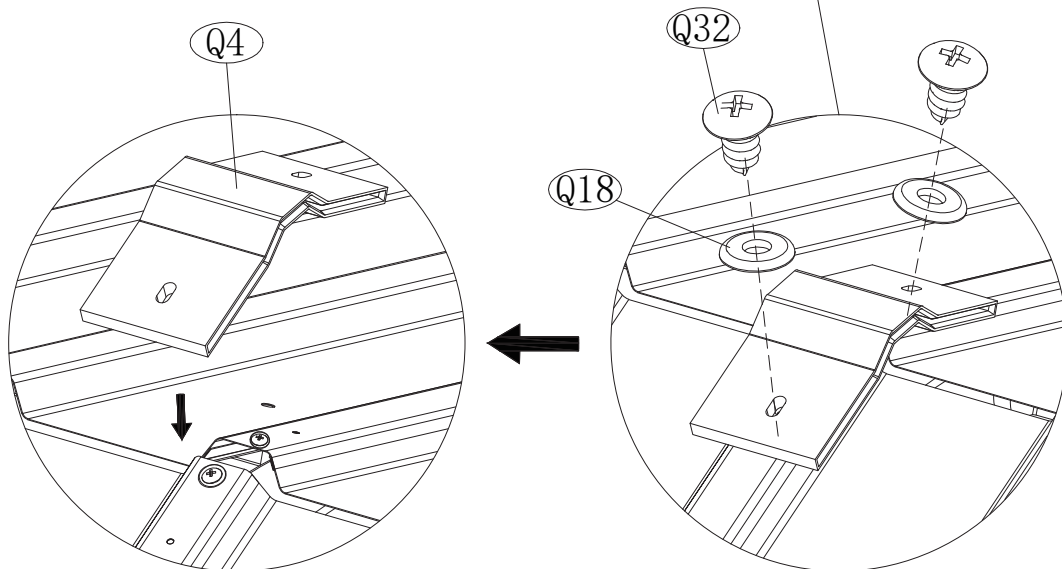
CAVEAT

Note: Please tighten the bolts after each installation step.

NO.	PART.	Qty.
Q32		2
Q18		2
Q4		1



D2 Install plastic Q4 between the 4th and 5th pieces








STEP 12

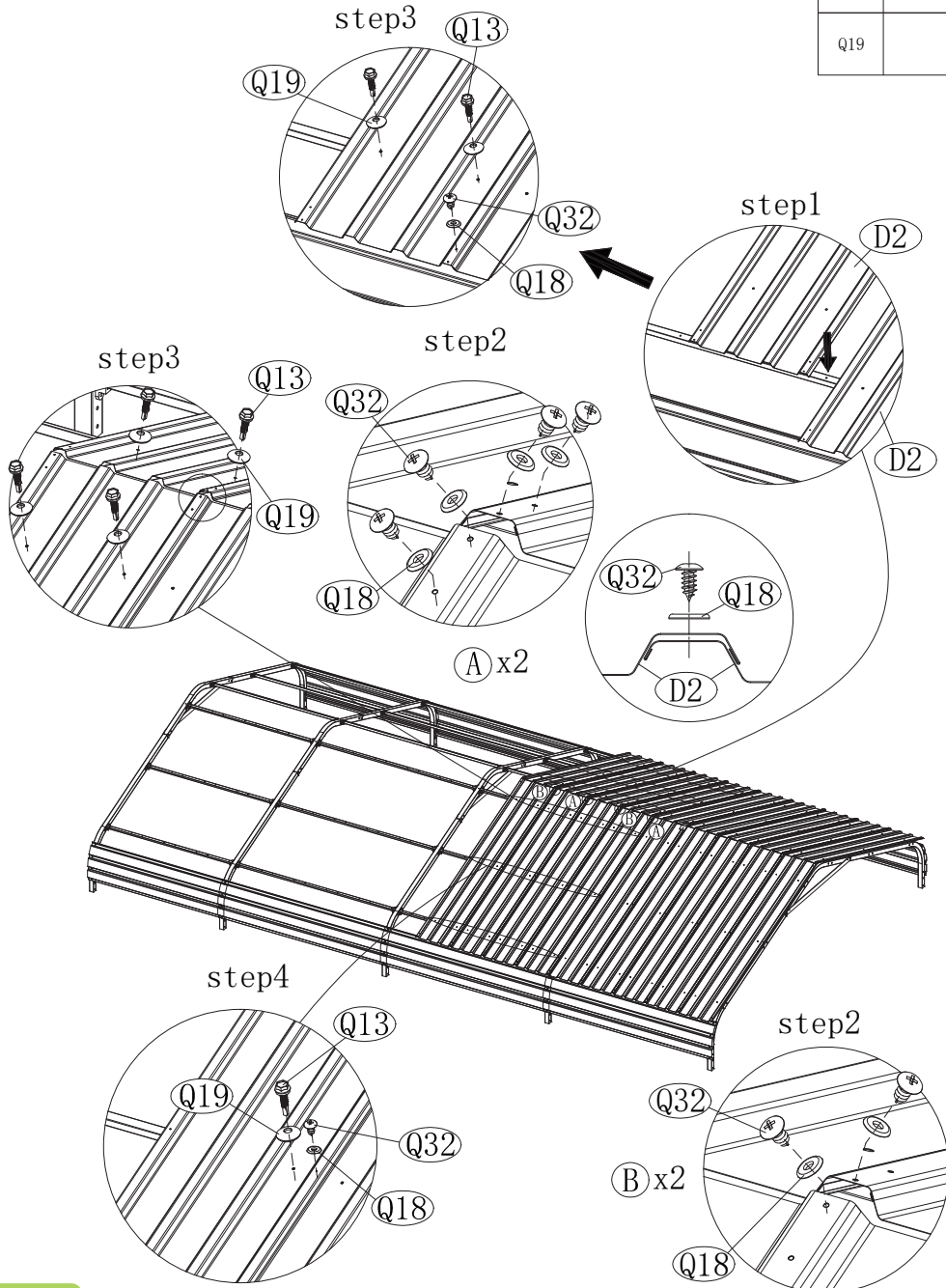
Install connector (Q4) between the 4th and 5th tiles of tile (D2) using 2 screws (Q32) and 2 washers (Q18).

ASSEMBLY INSTRUCTIONS

CAVEAT

Note: Please tighten the bolts after each installation step.

NO.	PART.	Qty.
D2		8
Q32		28
Q13		40
Q18		28
Q19		40







STEP 13

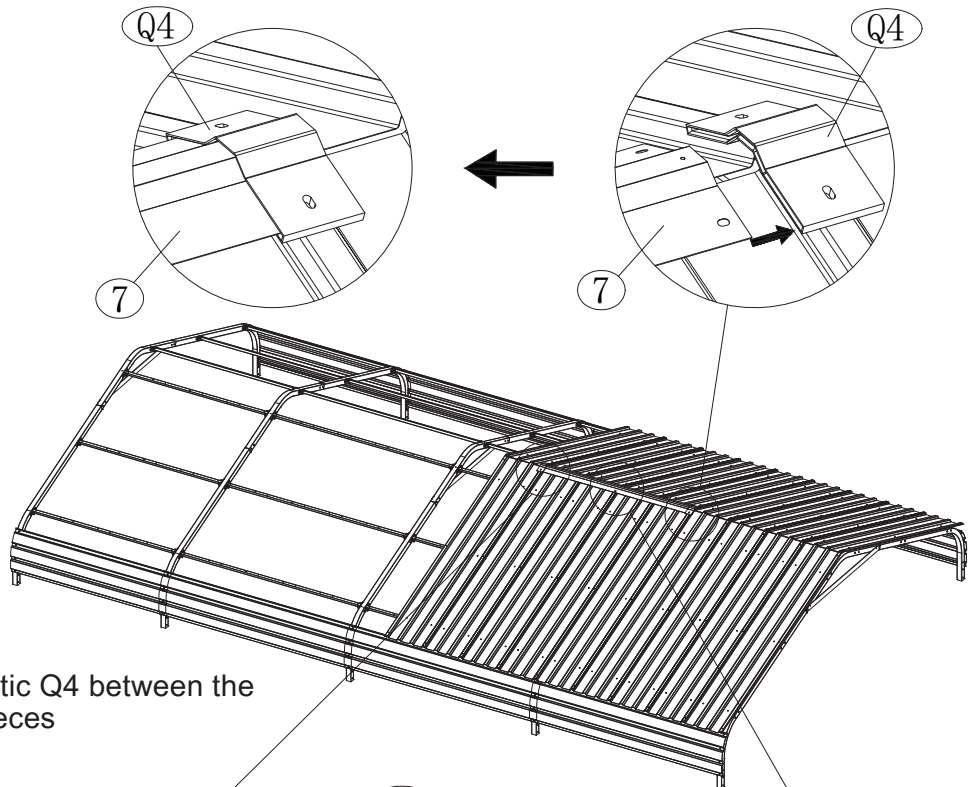
Repeat step 11 to install the second area of tiles.

ASSEMBLY INSTRUCTIONS

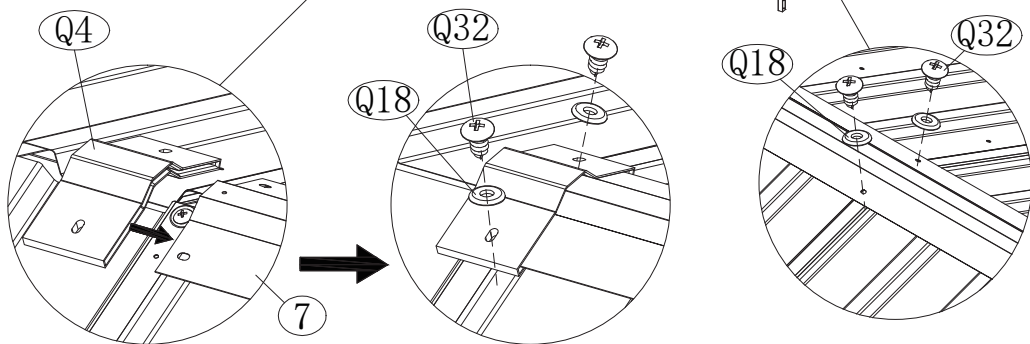
CAVEAT

Note: Please tighten the bolts after each installation step.

NO.	PART.	Qty.
Q32		4
Q18		4
Q4		1
7		1



D2 Install plastic Q4 between the 8th and 9th pieces



STEP 14

Install connector (Q4) between the 8th and 9th tiles of tile (D2) with support rod (7) using 4 screws (Q32) and 4 washers (Q18).

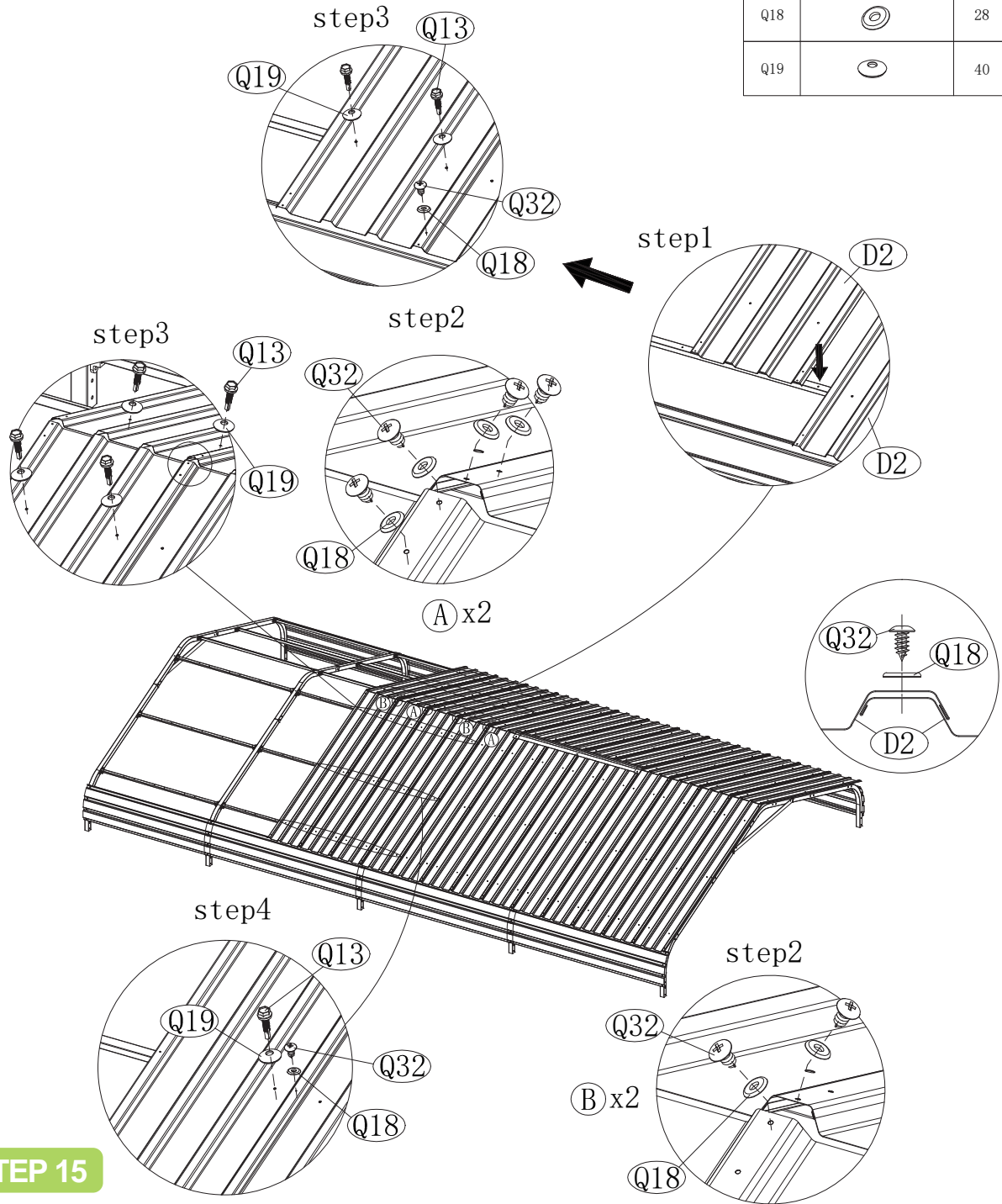
ASSEMBLY INSTRUCTIONS



CAVEAT

Note: Please tighten the bolts after each installation step.

NO.	PART.	Qty.
D2		8
Q32		28
Q13		40
Q18		28
Q19		40



STEP 15





Repeat step 11 to install the tiles for the third area.

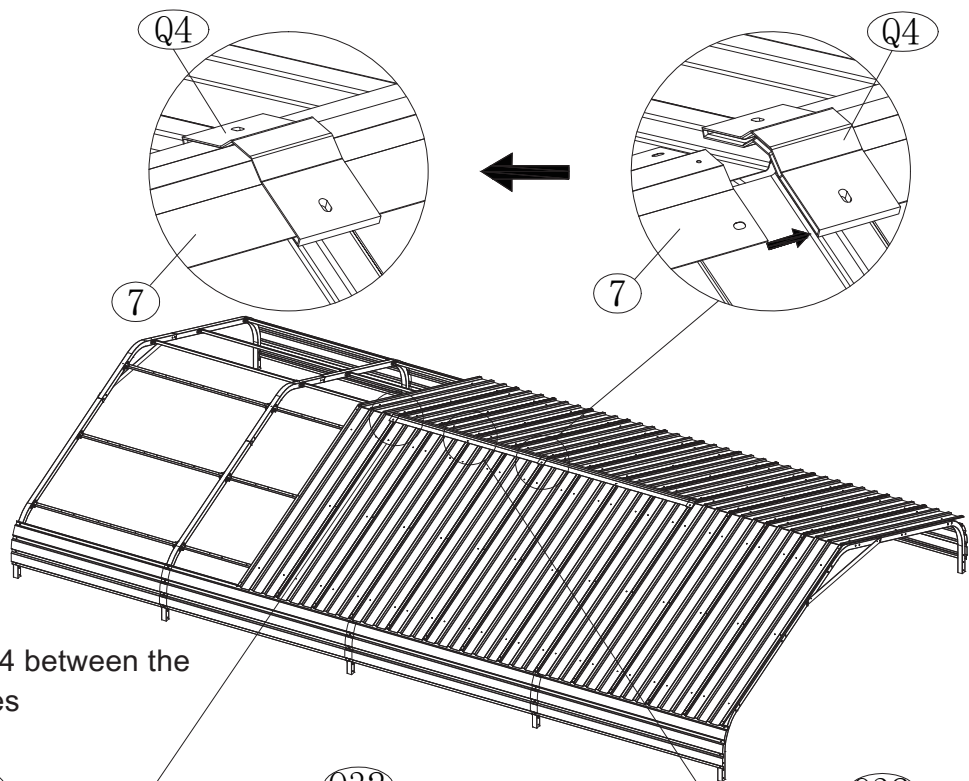
ASSEMBLY INSTRUCTIONS



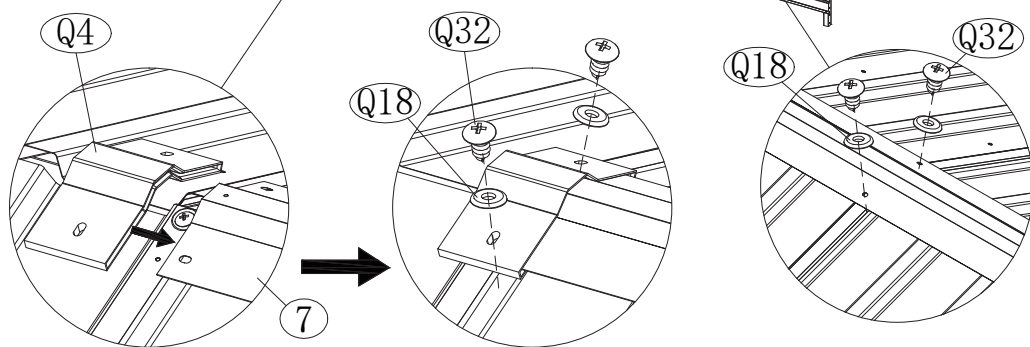
CAVEAT

Note: Please tighten the bolts after each installation step.

NO.	PART.	Qty.
Q32		4
Q18		4
Q4		1
7		1



D2 Install plastic Q4 between the 12th and 13th pieces



STEP 16

Repeat step 14 to install support rod (7) and connector (Q4).

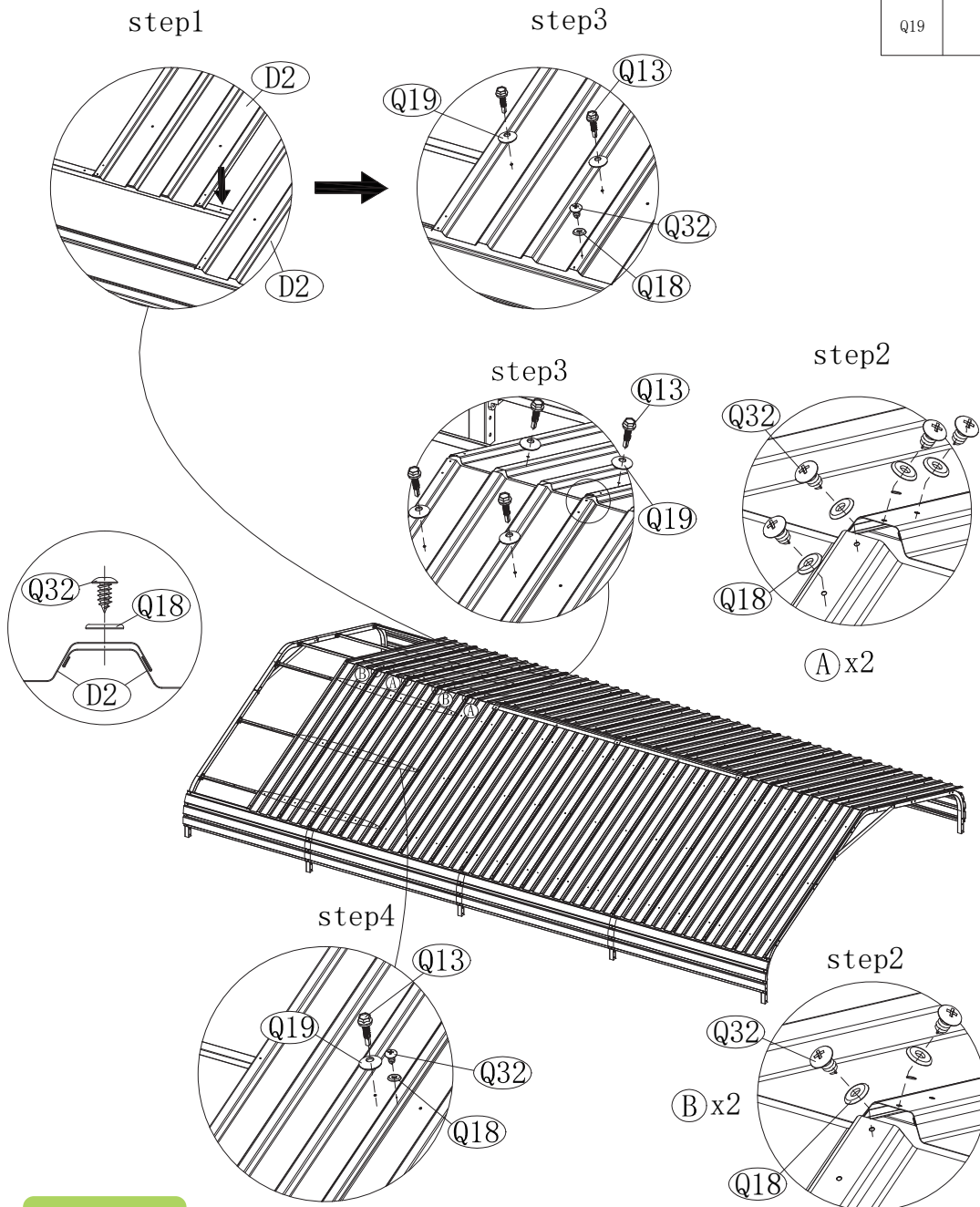
ASSEMBLY INSTRUCTIONS



CAVEAT

Note: Please tighten the bolts after each installation step.

NO.	PART.	Qty.
D2		8
Q32		28
Q13		40
Q18		28
Q19		40



STEP 17





Repeat step 11 to install the fourth area of tiles.

ASSEMBLY INSTRUCTIONS

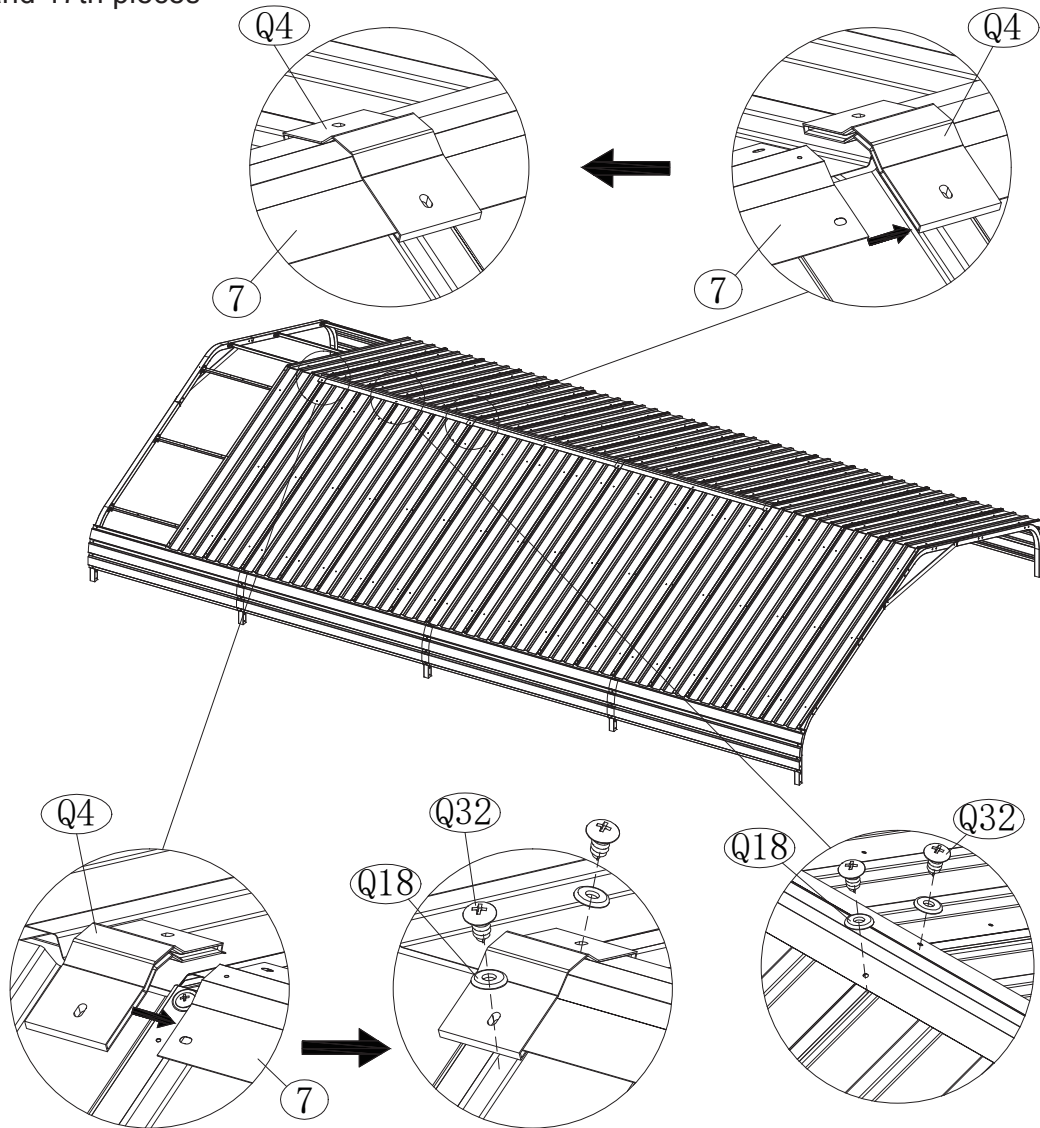


CAVEAT

Note: Please tighten the bolts after each installation step.

NO.	PART.	Qty.
Q32		4
Q18		4
Q4		1
7		1

D2 Install plastic Q4 between the 16th and 17th pieces








STEP 18

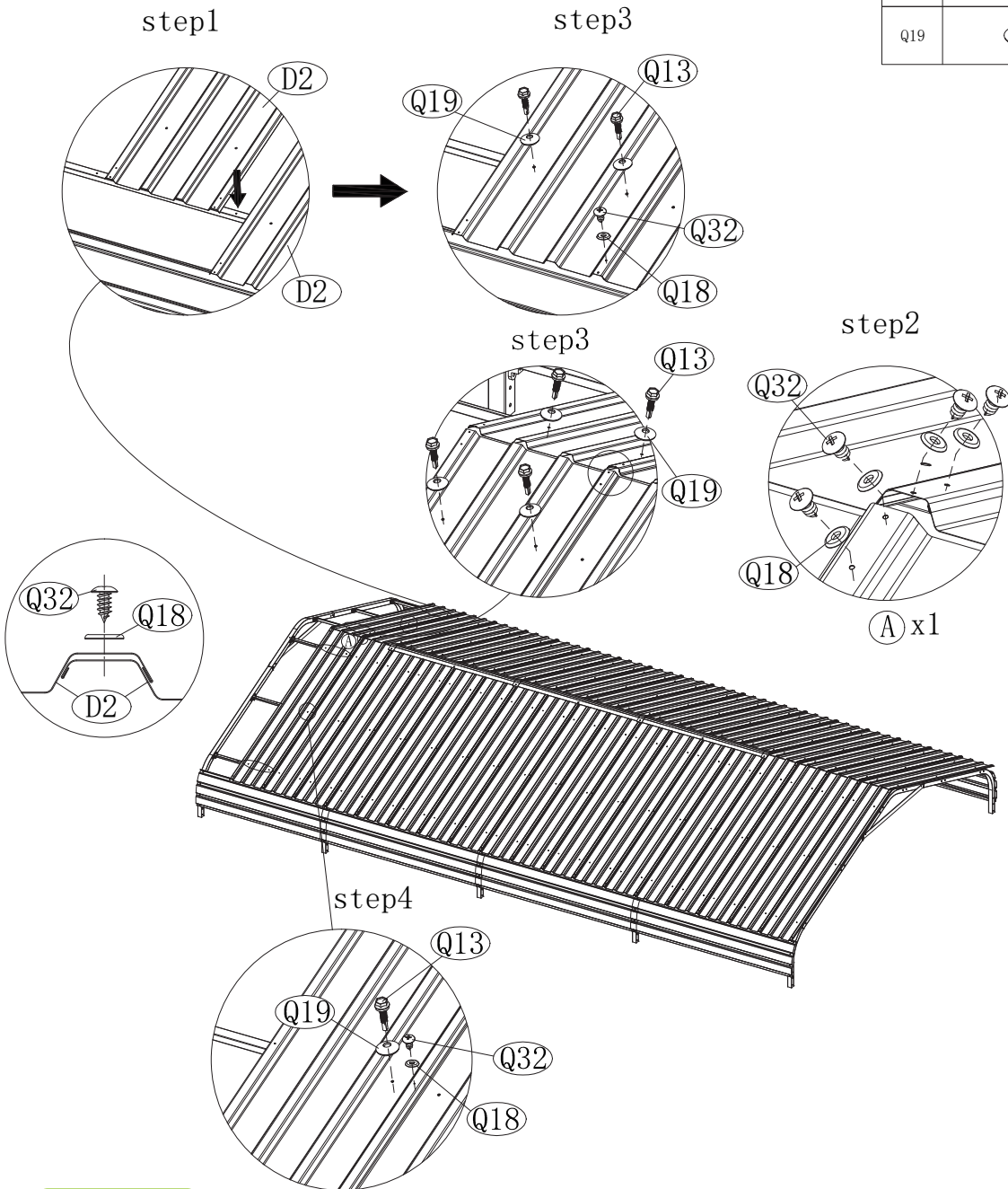
Repeat step 14 to install support rod (7) and connector (Q4).

ASSEMBLY INSTRUCTIONS

! CAVEAT

Note: Please tighten the bolts after each installation step.

NO.	PART.	Qty.
D2		2
Q32		8
Q13		10
Q18		8
Q19		10



STEP 19

Installing tiles (D2) using 8 screws (Q32), 10 bolts (Q13), 8 washers (Q18) and 10 washers (Q19). As shown in the figure, the installation is divided into four steps.

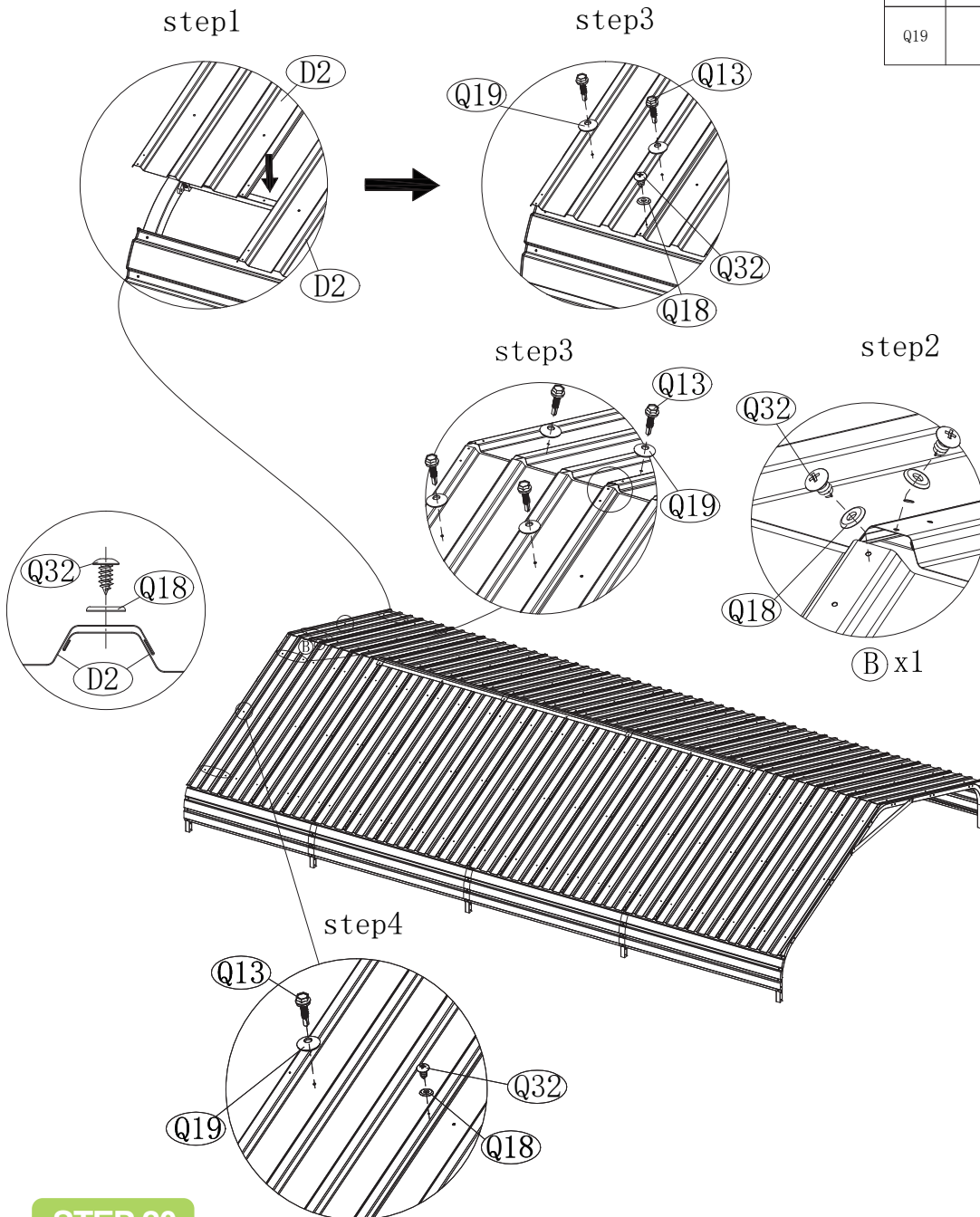
ASSEMBLY INSTRUCTIONS



CAVEAT

Note: Please tighten the bolts after each installation step.

NO.	PART.	Qty.
D2		2
Q32		6
Q13		10
Q18		6
Q19		10



STEP 20




Installing tiles (D2) using 6 screws (Q32), 10 bolts (Q13), 6 washers (Q18) and 10 washers (Q19). As shown in the figure, the installation is divided into four steps.

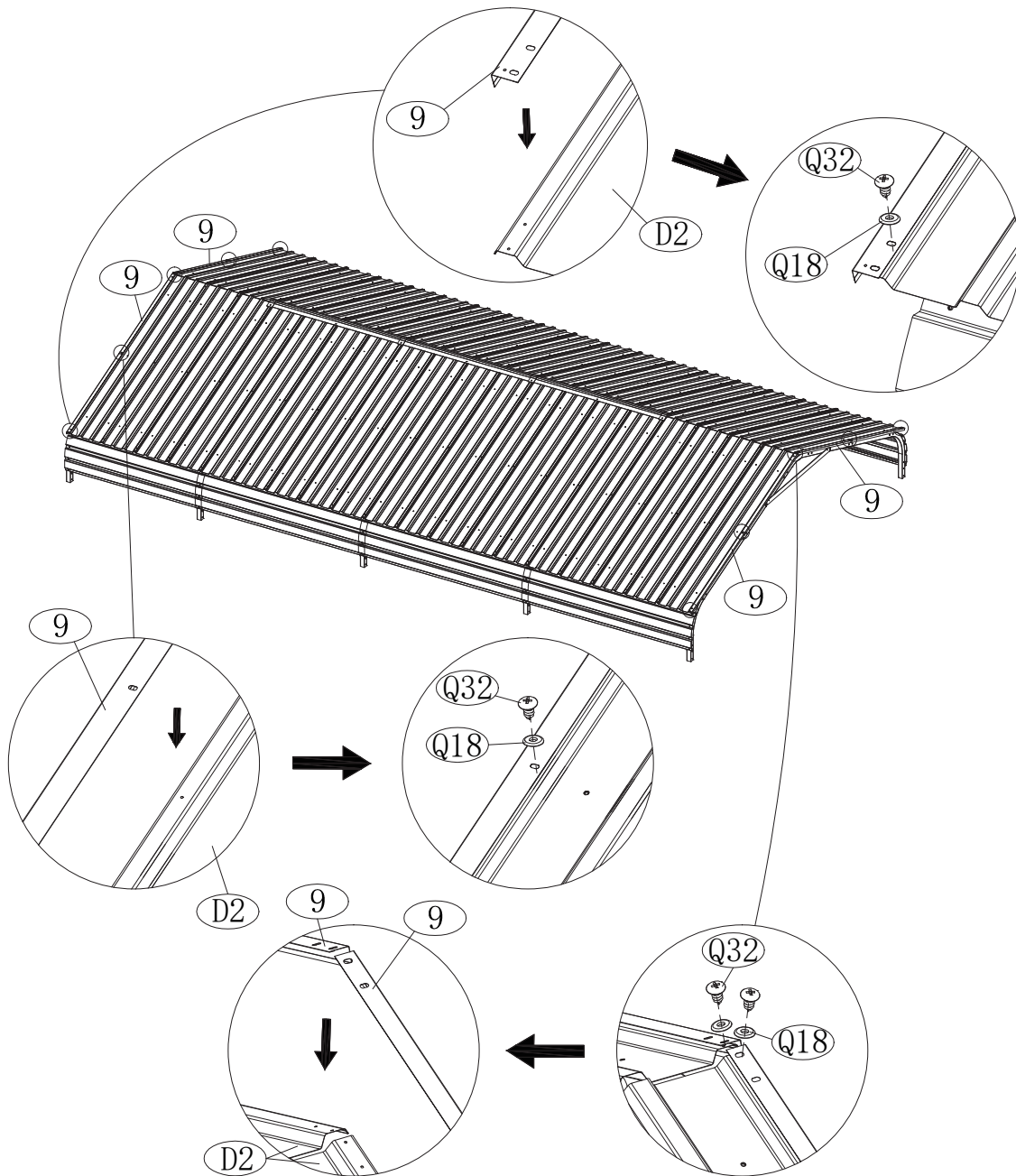
ASSEMBLY INSTRUCTIONS



CAVEAT

Note: Please tighten the bolts after each installation step.

NO.	PART.	Qty.
9		4
Q32		12
Q18		12



STEP 21

Install 4 support rods (9) using 12 screws (Q32) and 12 washers (Q18).

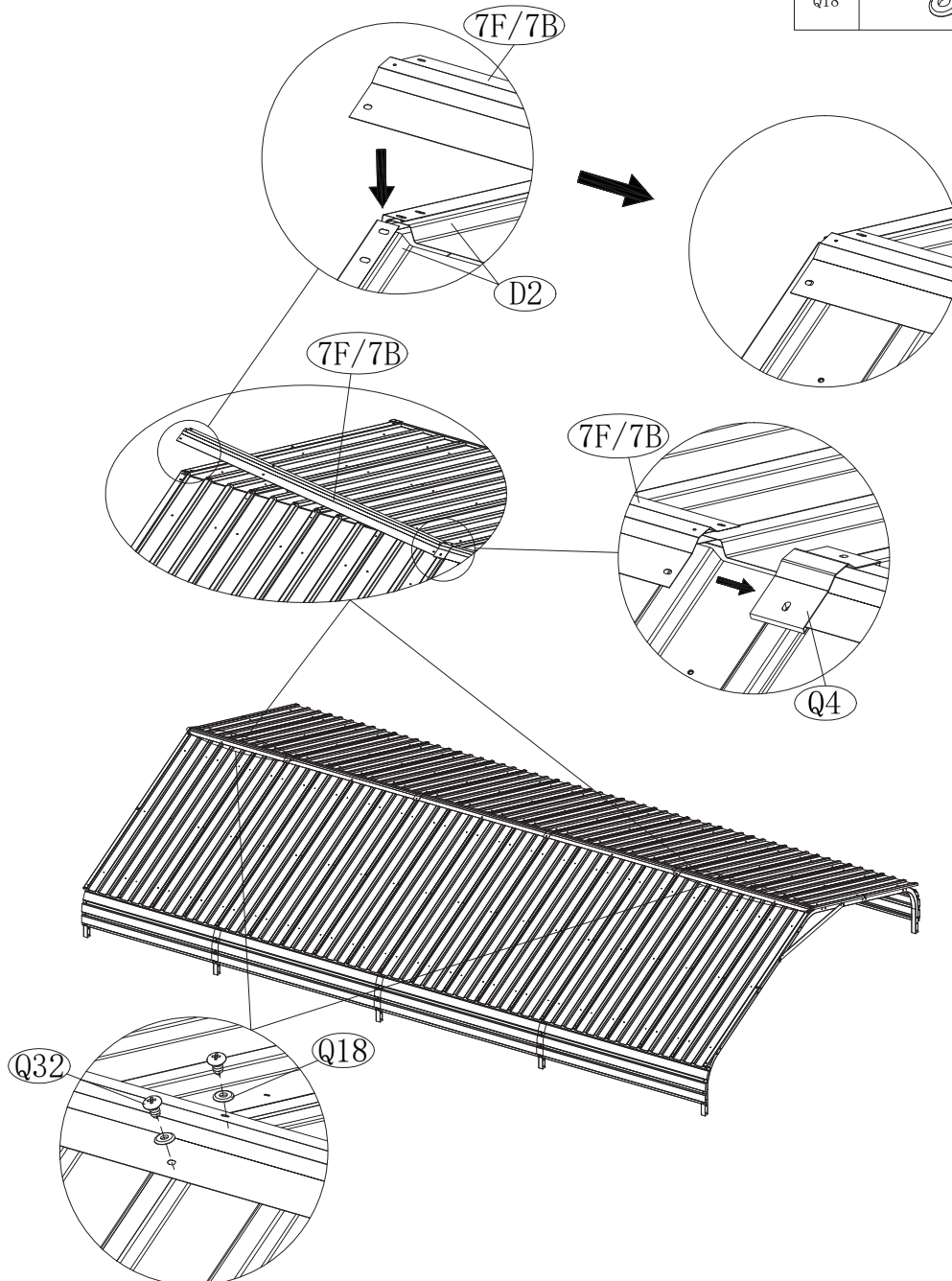
ASSEMBLY INSTRUCTIONS



CAVEAT

Note: Please tighten the bolts after each installation step.

NO.	PART.	Qty.
7F		1
7B		1
Q32		4
Q18		4



STEP 22

Install support rods (7F&7B) using 4 screws (Q32) and 4 washers (Q18).

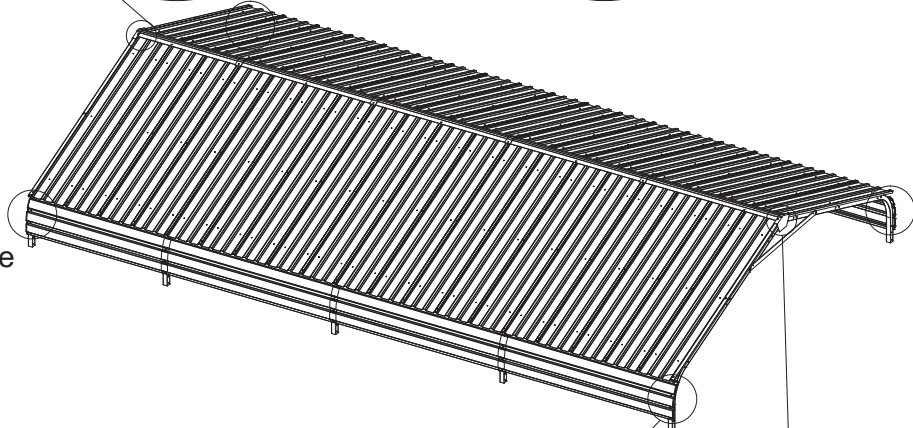
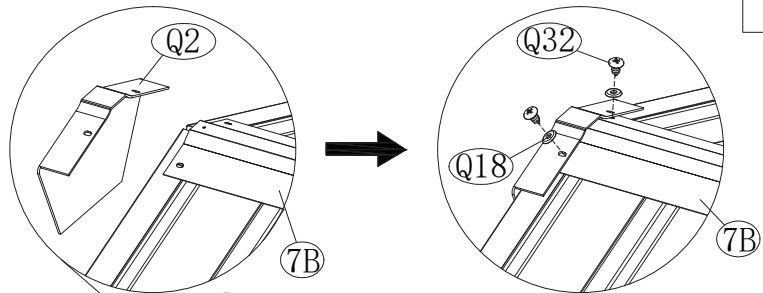
ASSEMBLY INSTRUCTIONS



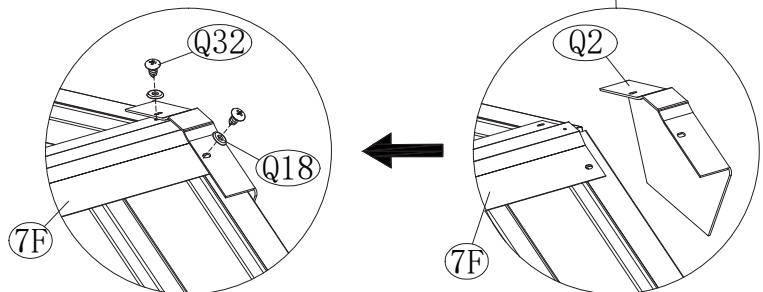
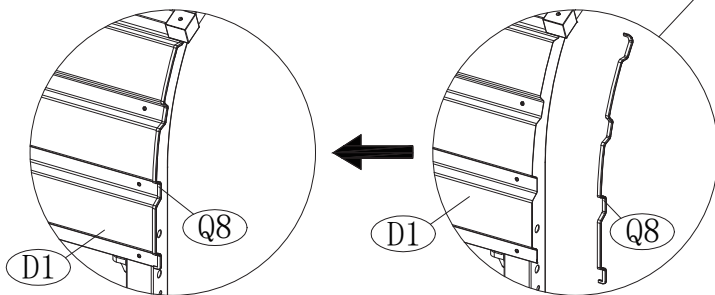
CAVEAT

Note: Please tighten the bolts after each installation step.

NO.	PART.	Qty.
Q2		2
Q32		4
Q18		4
Q8		4



Q8 needs to be bent along the edge of D1.



STEP 23



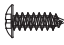

Installing decorative parts (Q2&Q8) using 4 screws (Q32) and 4 washers (Q18).

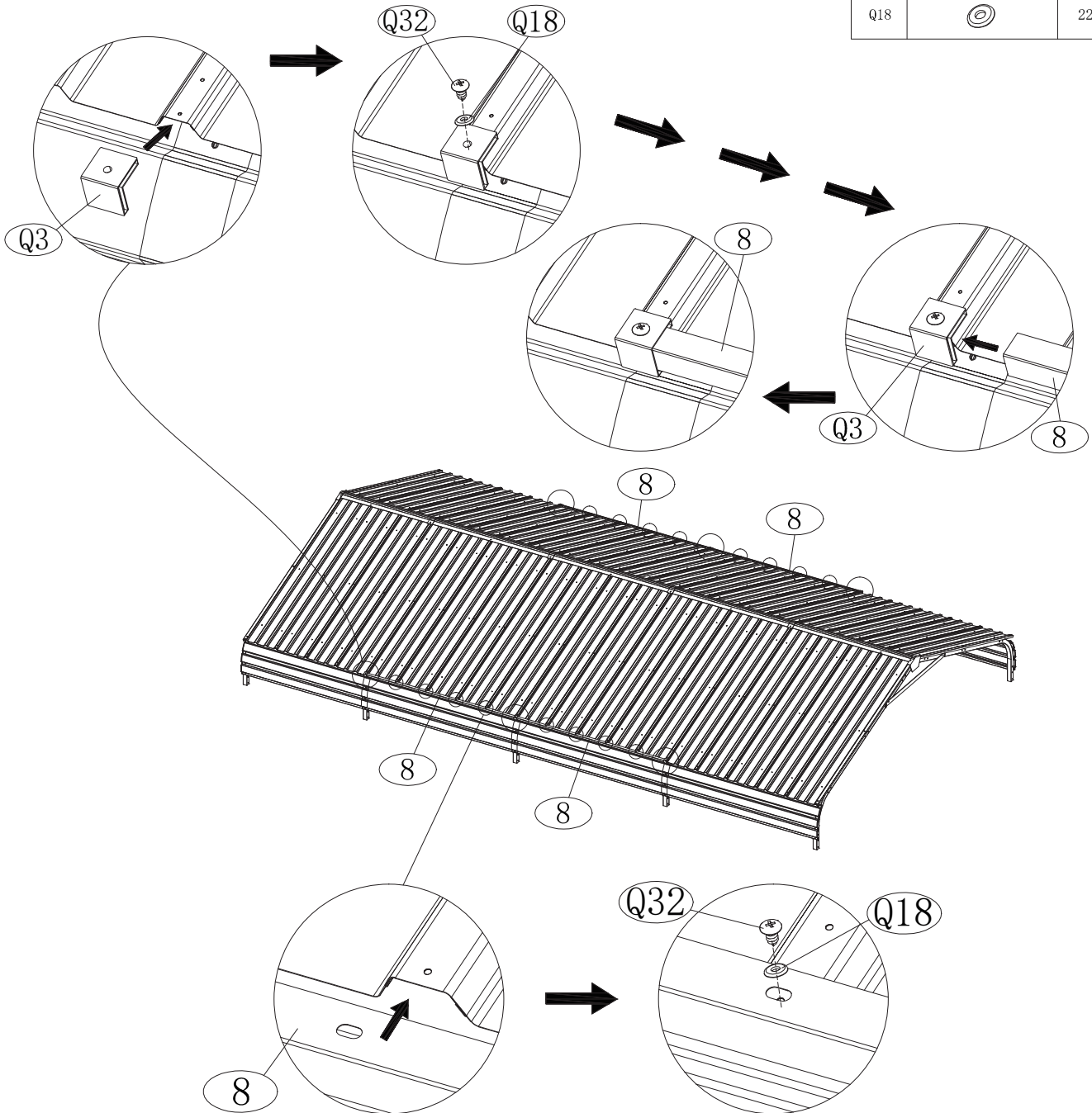
ASSEMBLY INSTRUCTIONS



CAVEAT

Note: Please tighten the bolts after each installation step.

NO.	PART.	Qty.
8		4
Q3		6
Q32		22
Q18		22



STEP 24

Install 4 support rods (8) using 6 connectors (Q3), 22 screws (Q32) and 22 washers (Q18).

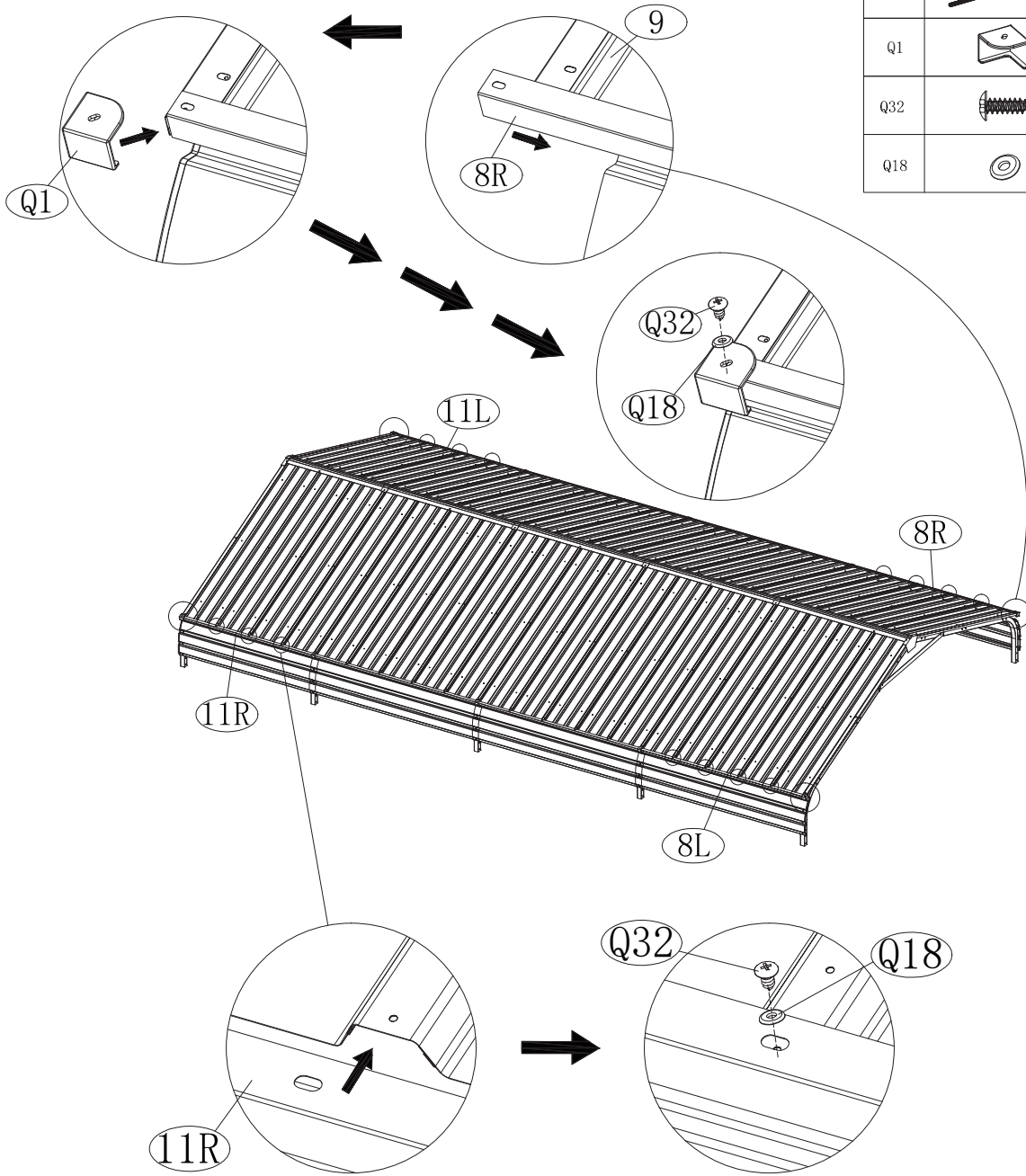
ASSEMBLY INSTRUCTIONS



CAVEAT

Note: Please tighten the bolts after each installation step.


NO.	PART.	Qty.
8L		1
8R		1
11L		1
11R		1
Q1		4
Q32		18
Q18		18



STEP 25

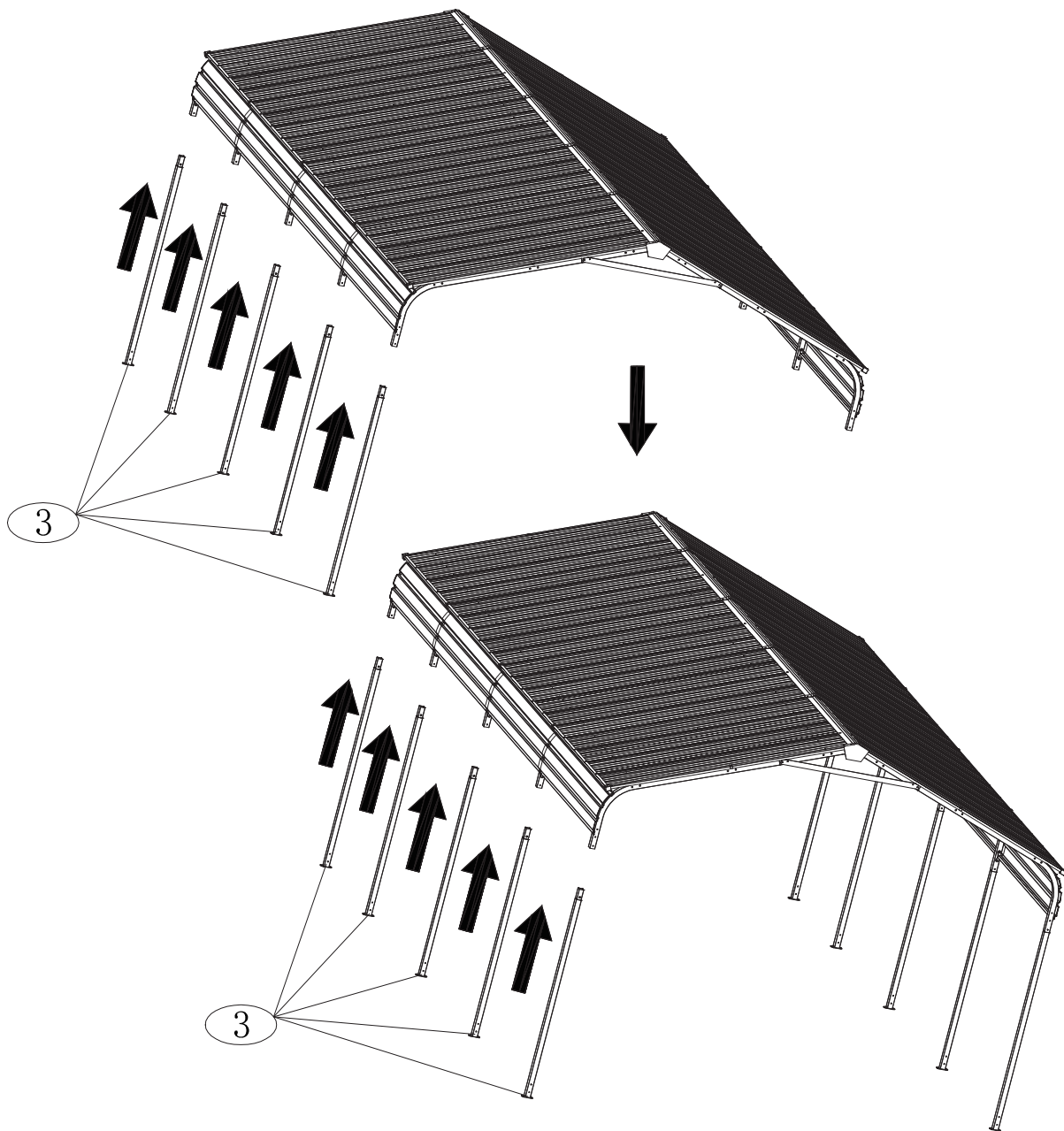
Install support rods (8L&8R&11L&11R) using 4 connectors (Q1), 18 screws (Q32) and 18 washers (Q18).

ASSEMBLY INSTRUCTIONS

NO.	PART.	Qty.
3		10

 **CAVEAT**

Note: Please tighten the bolts after each installation step.



STEP 26

Insert 10 support rods (3) into the corresponding hole.

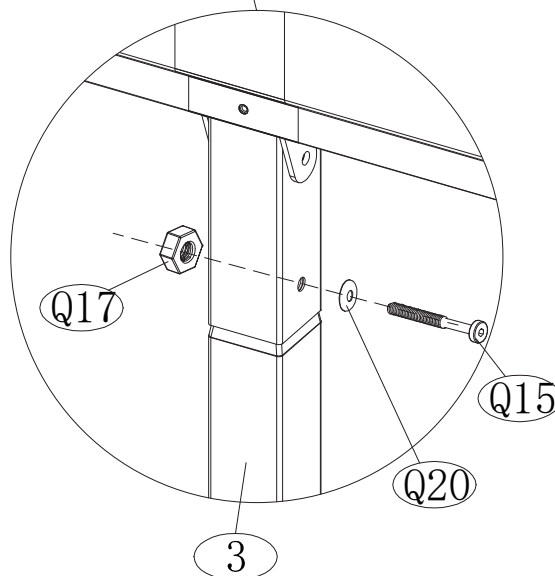
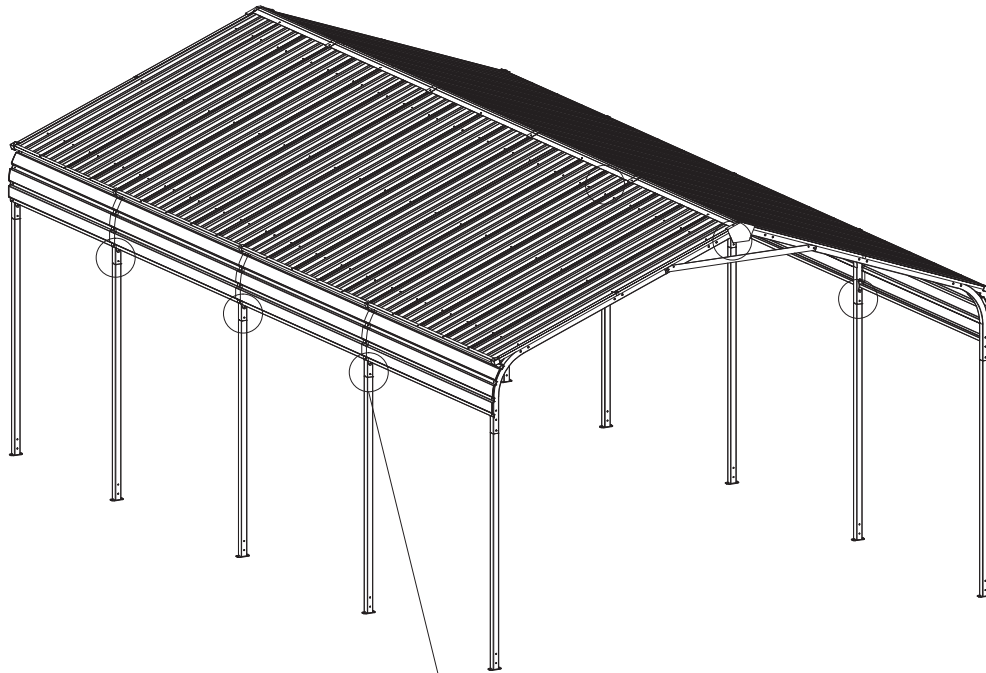
ASSEMBLY INSTRUCTIONS



CAVEAT

Note: Please tighten the bolts after each installation step.

NO.	PART.	Qty.
Q15		6
Q17		6
Q20		6



STEP 27

Reinforce the support rods from the previous step with 6 bolts (Q15), 6 washers (Q20) and 6 nuts (Q17).

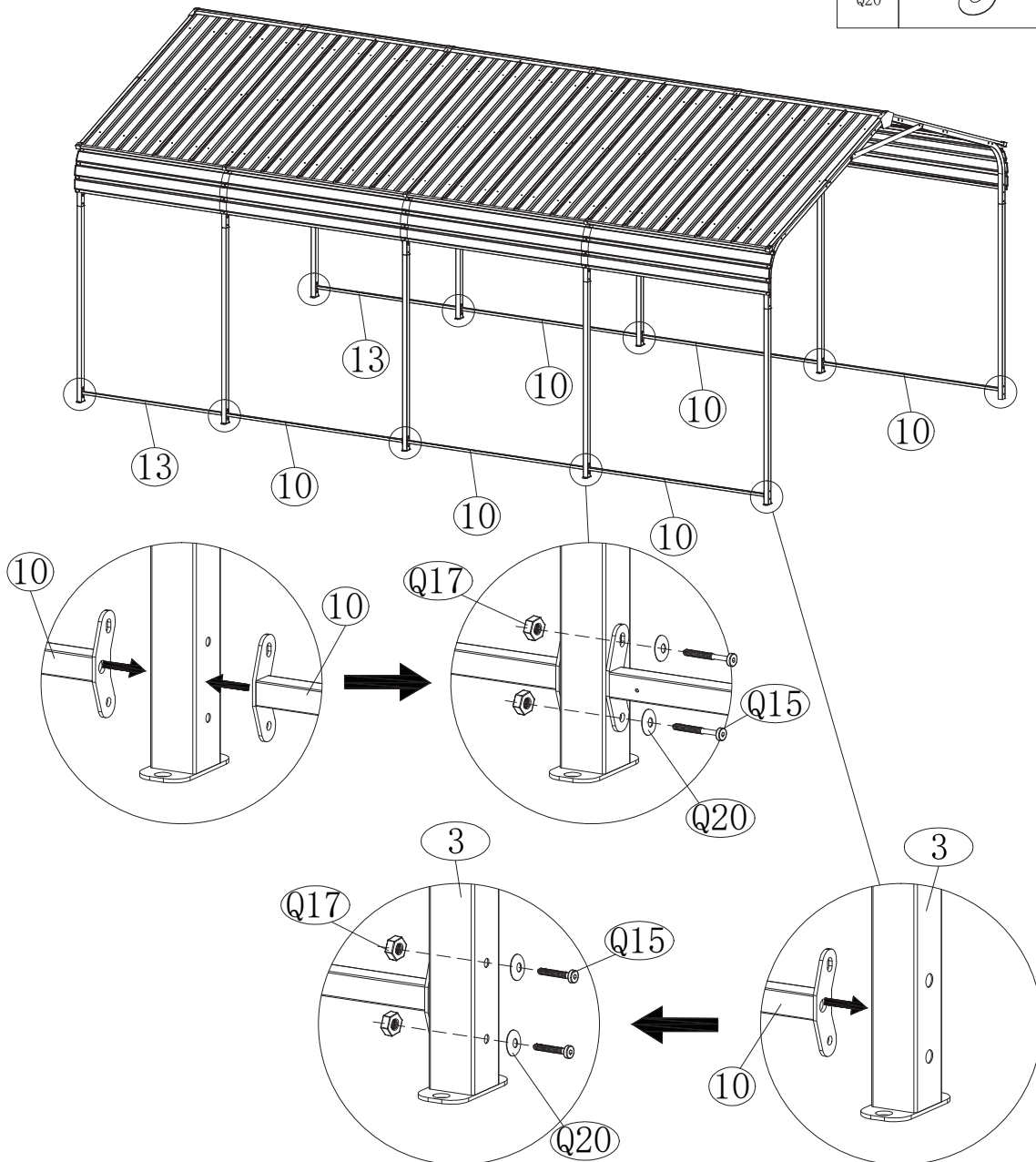
ASSEMBLY INSTRUCTIONS



CAVEAT

Note: Please tighten the bolts after each installation step.

NO.	PART.	Qty.
10		6
13		2
Q15		20
Q17		20
Q20		20



STEP 28





Install support rods (10&13) with 20 bolts (Q15), 20 washers (Q20) and 20 nuts (Q17).

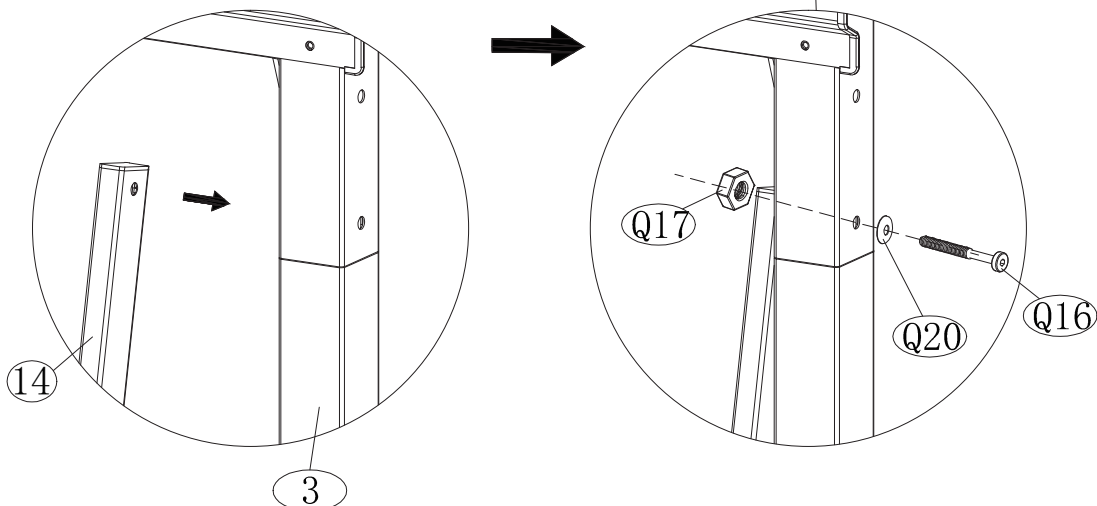
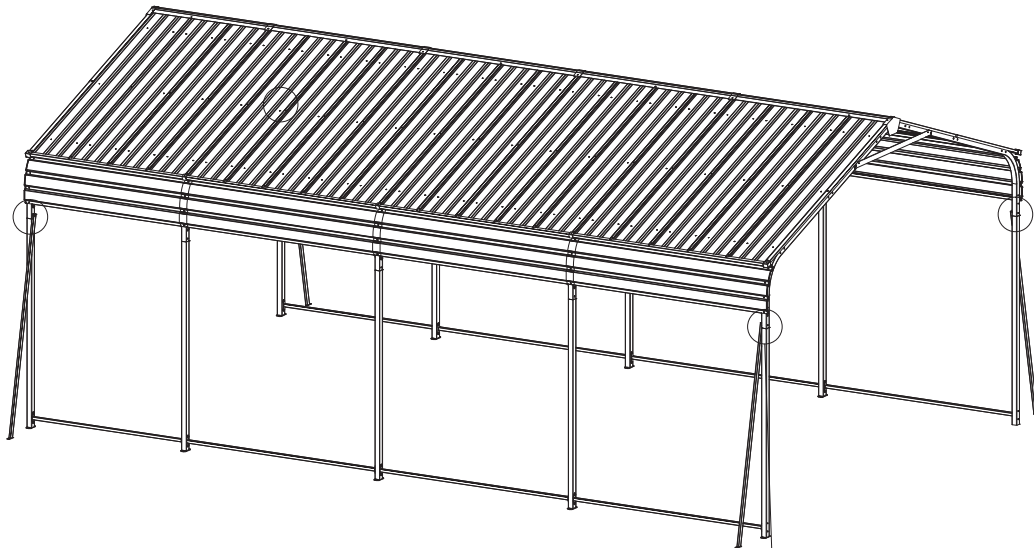
ASSEMBLY INSTRUCTIONS



CAVEAT

Note: Please tighten the bolts after each installation step.

NO.	PART.	Qty.
14		4
Q16		4
Q17		4
Q20		4



STEP 29

Install support rods (14) using 4 bolts (Q16), 4 washers (Q20) and 4 nuts (Q17).

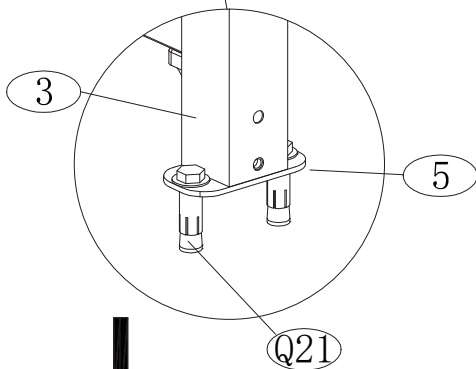
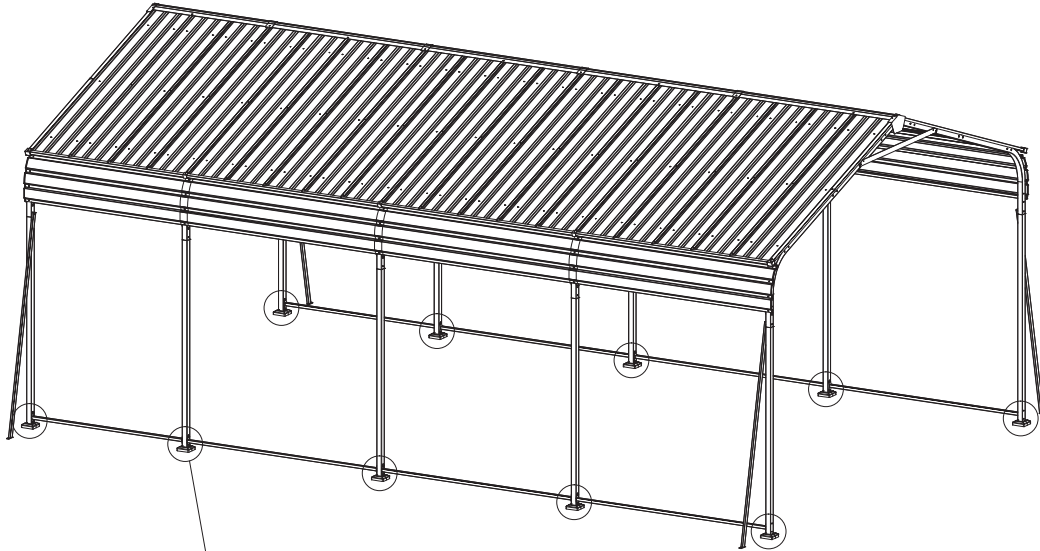
ASSEMBLY INSTRUCTIONS



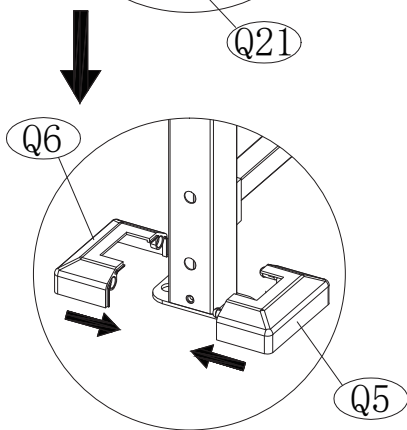
CAVEAT

Note: Please tighten the bolts after each installation step.

NO.	PART.	Qty.
Q5		10
Q6		10
Q21		20





1. It is necessary to use ground nails and expansion screws, whether installed on stable ground, to avoid the collapse of the car shed to the inside or nearby personnel causing devastating injuries and property losses.



STEP 30

Install ground nails and expansion screws.

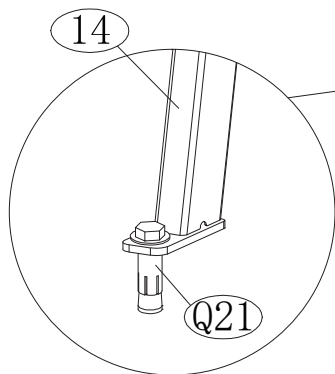
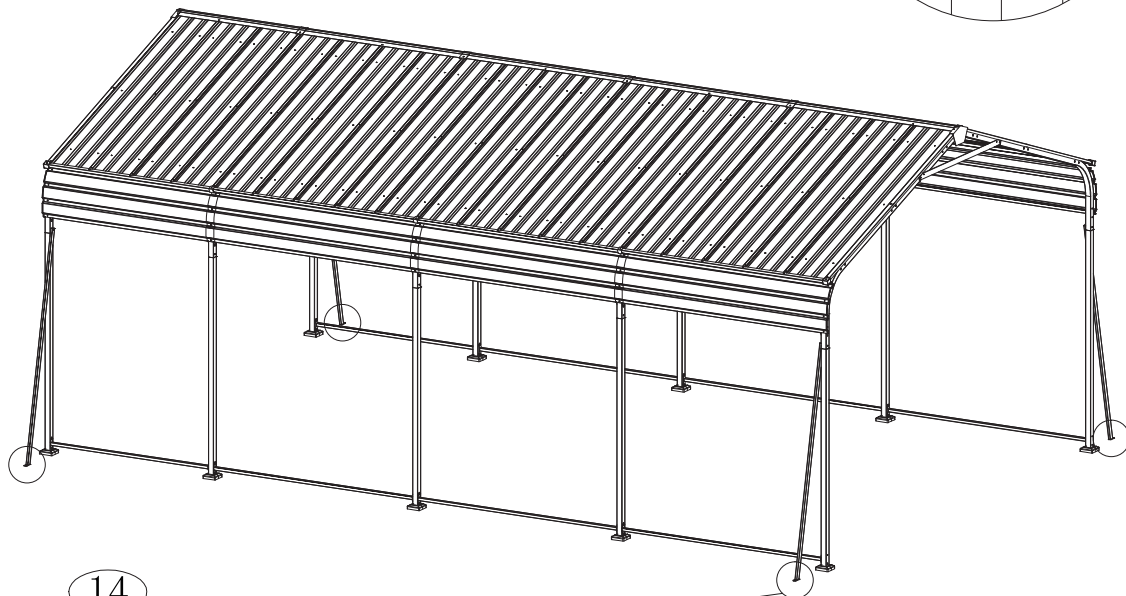
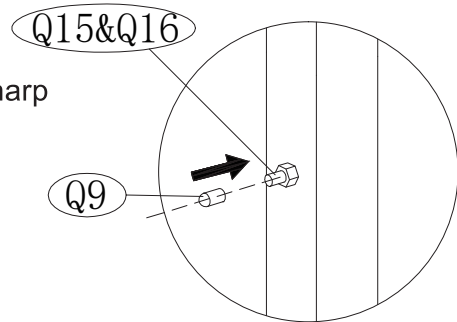
ASSEMBLY INSTRUCTIONS

NO.	PART.	Qty.
Q21		4
Q9		130

CAVEAT

Note: Please tighten the bolts after each installation step.

Plastic screw cap is used to prevent the sharp end of the screw from scratching people.



1. It is necessary to use ground nails and expansion-screws, whether installed on stable ground, to avoid the collapse of the car shed to the inside or nearby personnel causing devastating injuries and property losses.

STEP 31

Install the remaining 4 ground nails and using plastic screw cap to prevent the sharp end of the screw from scratching people.

CARE AND MAINTENANCE

Follow the instructions for the product's material to ensure it stays in the best shape as long as possible. The information below is a general guideline.

Don't hesitate to get in touch with us to learn more.

- Only rinse it thoroughly with clean water to wash away dirt and grime. Never use abrasive cleansers on the furniture since they can attack the surface and leave behind scratch marks.

- For stubborn grime and stains, use a soft sponge and mild soapy water.

Then dry it with a cloth or paper towel.

- Check the stability of the screws, nuts, and nut caps before each use.

Then, tighten them up after one to two months' use whenever required.

- Avoid improper use, and be careful not to scratch or damage the surface with sharp objects.

- When you move your furniture, lift it rather than pulling or pushing it to avoid damaging the floor, legs, and mounting.

CUSTOMER SERVICE

Thanks for purchasing NUUGARDEN furniture. We are here to help you maximize your enjoyment and appreciation of it.

Please do not hesitate to contact our customer service if you have any questions regarding assembly or accessories.

Add: 6366 Corley Road, Norcross, GA 30071.

Tel: (800) 257-7108

Web: <https://nuumart.com>

E-mail: service@nuugarden.com

Service time: Mon-Fri, 8:30 AM-5:30 PM, EST



NUUGARDEN USA



Nuu Garden Corp.

Add: 6366 Corley Road, Norcross GA 30071.

Tel: (800) 257-7108

Web: <https://nuumart.com>

E-mail: service@nuugarden.com