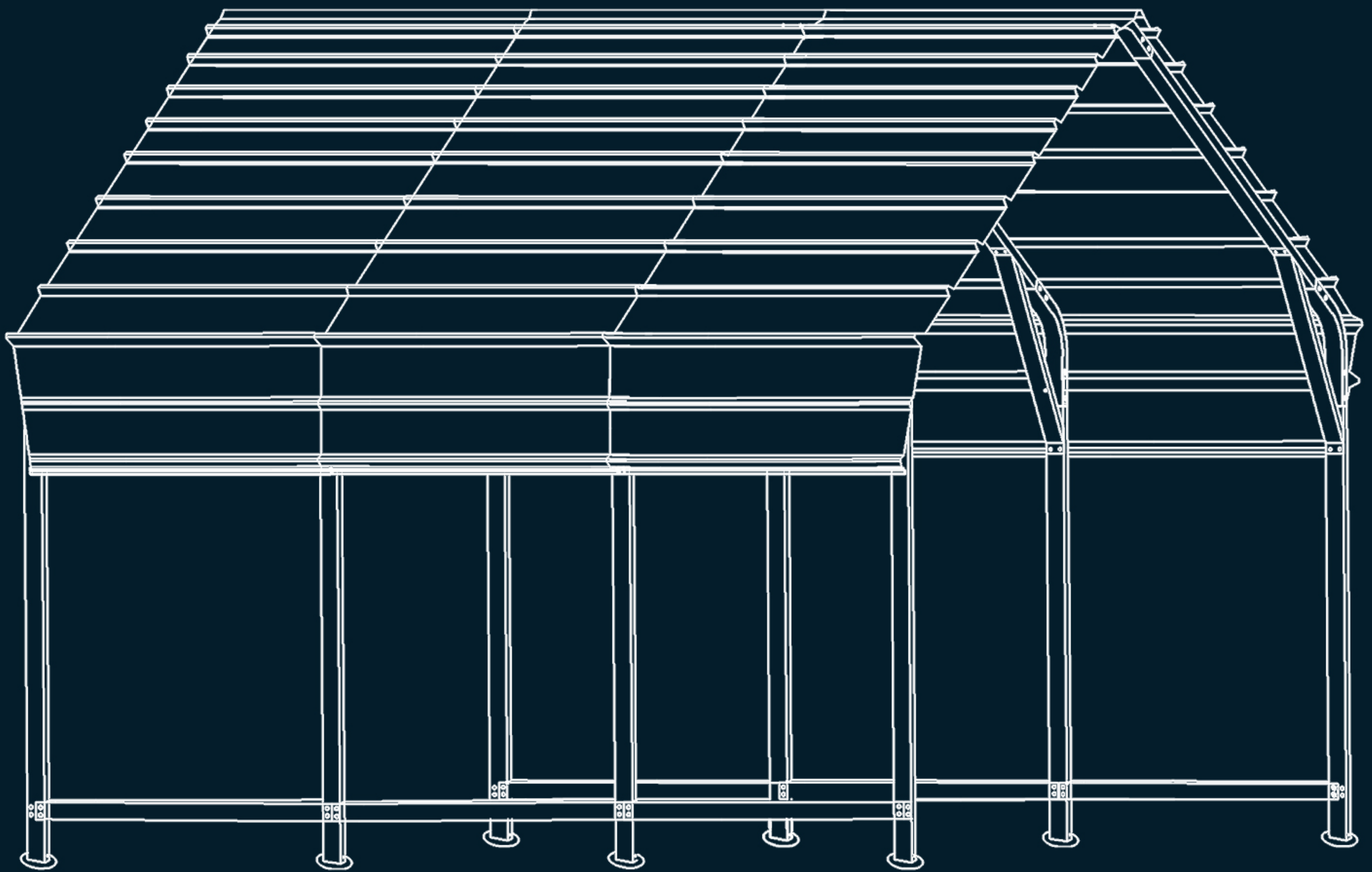
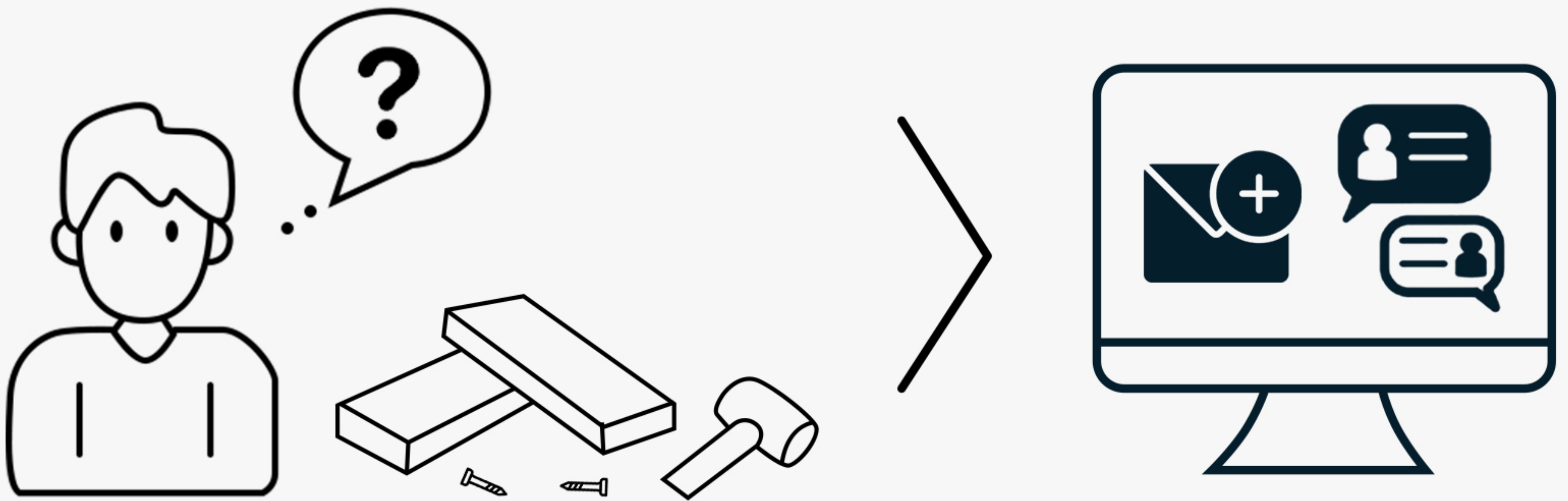


INSTRUCTION MANUAL



Metal Carport 10×15 FT


OICP-1015




Questions? Comments? Reach out to us for expert support!

 primegardenservice@yeah.net

 sundaleoutdoor.com

 (626) 899-5788

 2080 S Cucamonga Ave,
Ontario, CA 91761

• Contact Us with Your **ORDER ID** for Faster Assistance

Having your ORDER ID ready when contacting us ensures we can quickly locate your purchase details, address your concerns efficiently.



READ & SAVE BELOW INSTRUCTIONS BEFORE ASSEMBLY

WARRANTY

- Thank you for purchasing our outdoor furniture, We are pleased to offer a one-year warranty on the quality of the product. This warranty covers any manufacturing defects or malfunctions that may occur within the first year of ownership.
- Exclusions: The warranty does not cover damages resulting from misuse , negligence, accidents, normal wear and tear, unauthorized repairs or modifications, improper assembly, or failure to adhere to the care and maintenance guidelines provided.

SAFETY WARNING

BE CAUTIOUS OF SHARP EDGES



Care must be taken when handling various pieces of the carport since many contain sharp edges. Please wear work gloves, eye protection and long sleeves when assembling or performing any maintenance on your building.



BEWARE OF WIND

Do **NOT** attempt to assemble your building on a windy day. The large carport can catch the wind like a "sail" causing them to be whipped around making construction difficult and unsafe.

AVOID ROOF WEIGHT AND LADDER RISKS



NEVER concentrate your weight on the roof of the building. When using a step ladder make sure that it is fully open and on even ground before climbing on it.

KEEP KIDS & PETS AWAY



Keep children and pets **AWAY** from the work site during construction and until the building is completely assembled. This will help avoid distractions and any accidents which may occur.

ASSEMBLY TIPS

Watch the Weather Closely: Be sure the day you choose to install your building is dry and calm. Do not attempt to assemble your building on a windy day. Be careful on wet or muddy ground.

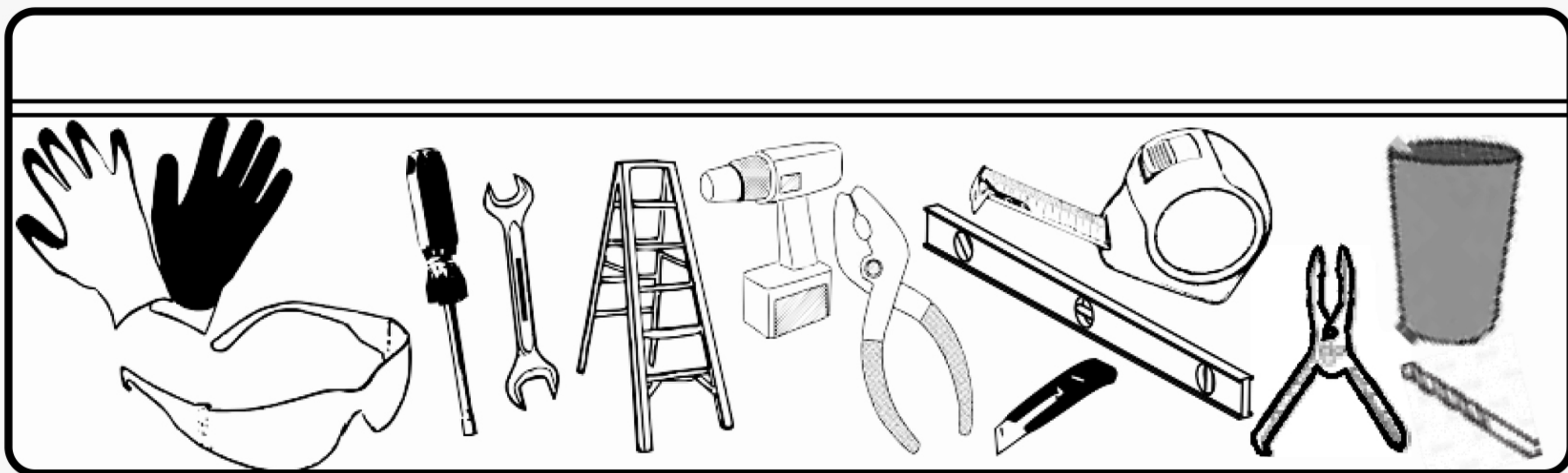
Use Teamwork: Two or more people are required to assemble your building. One person can hold the parts or panels in place while the other person fastens them together and handles the tools. This makes the process of assembling your building faster and safer.

Select and Prepare Your Building Site :

- The best location is a level area with good drainage.
- Allow enough working space so it is not difficult to move parts into position for assembly.

Keep your carport off steep slopes and inclines.

For a better installation and user experience, it is recommended to use the tools shown below the image.



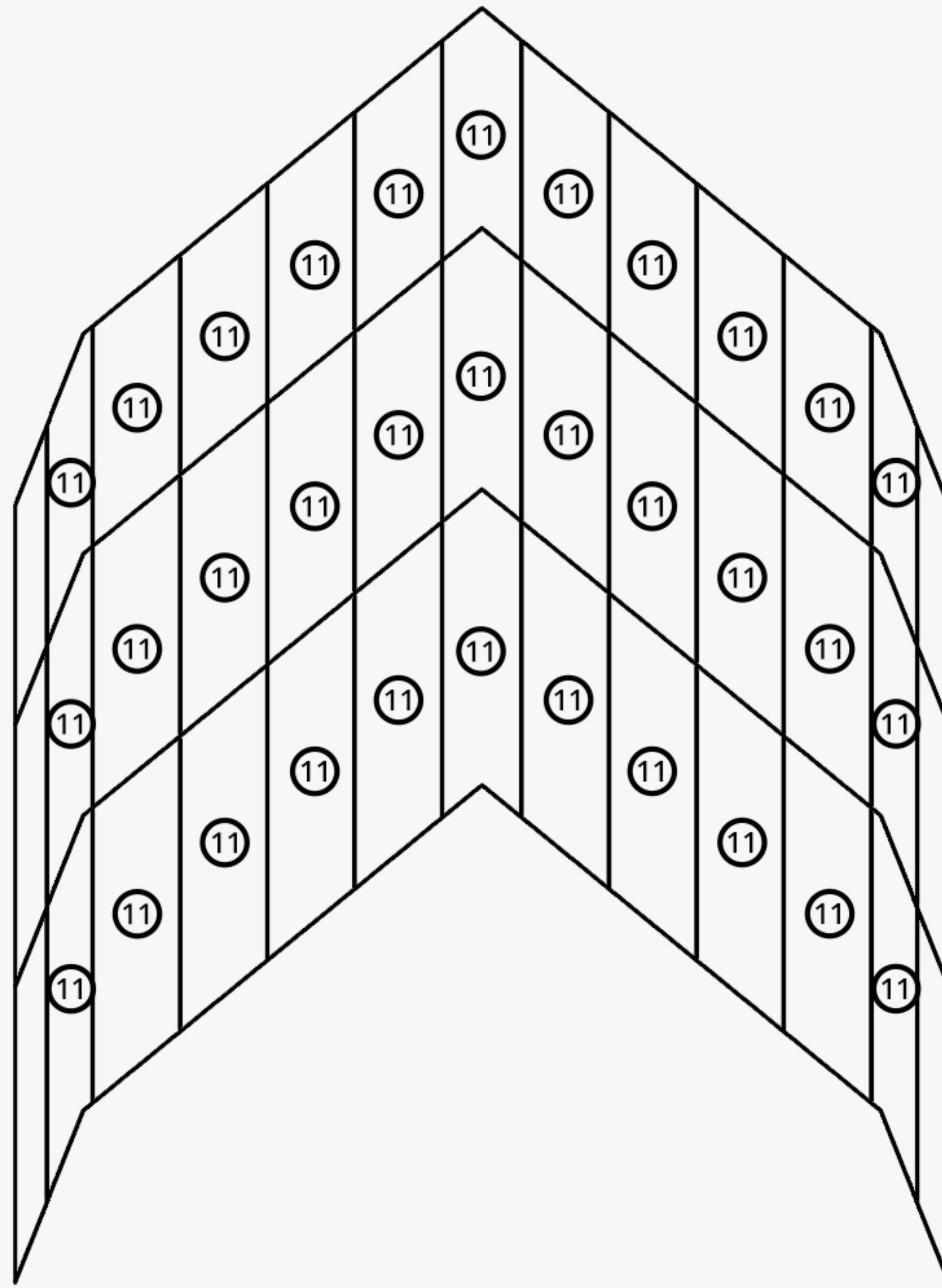
Ready to Begin Installation:

- Carefully unpack all components and verify that all necessary parts are included in the package before assembling. Assemble the furniture in the order specified to ensure proper alignment and installation.
- If any difficulty occurs during assembly, please contact our customer support.

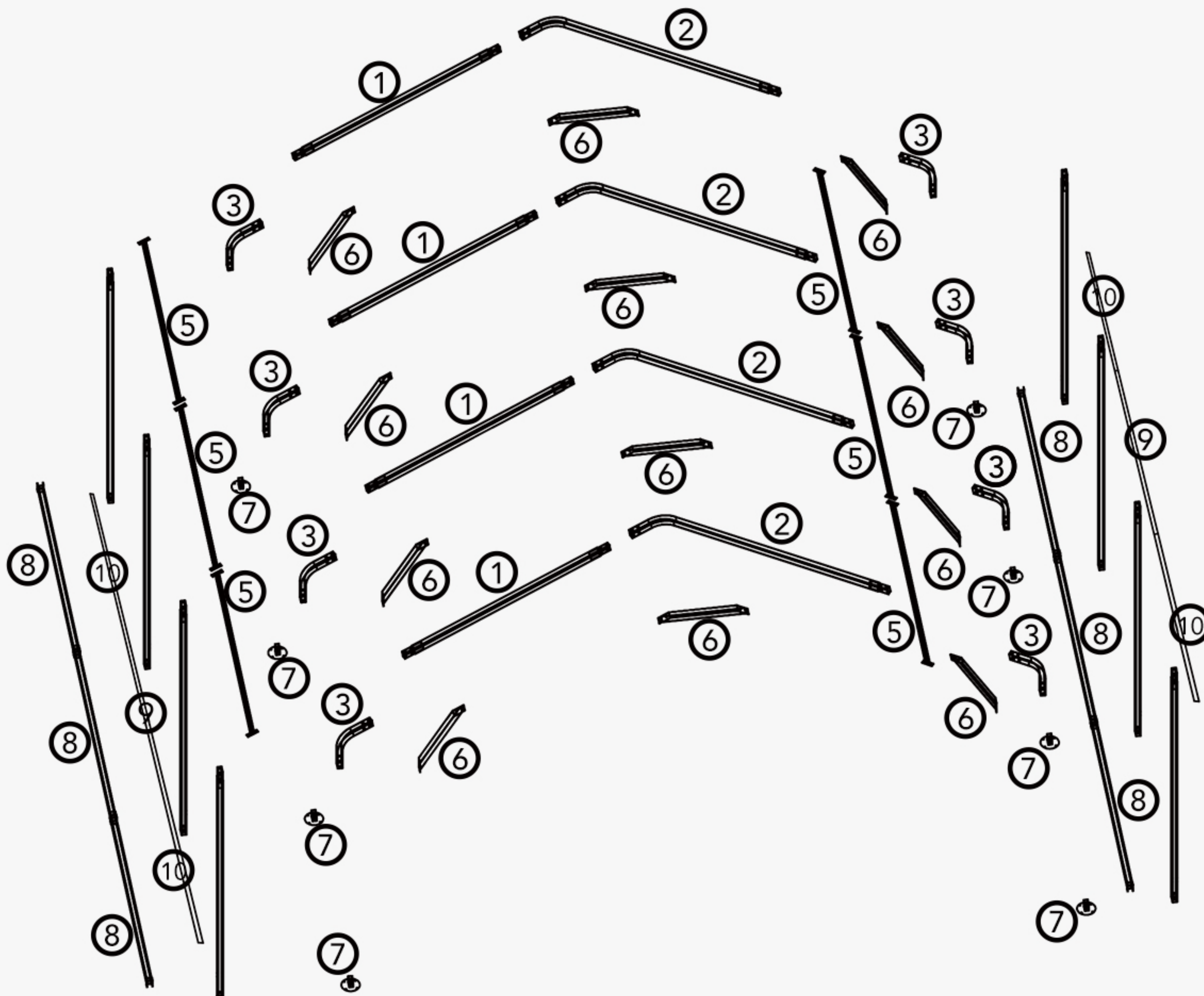
After installation:

- The carport should be anchored to prevent damage and possible injury. It is the user's responsibility to properly anchor the product.
-
-

ROOF LAYOUT DIAGRAM FOR A METAL CARPORT

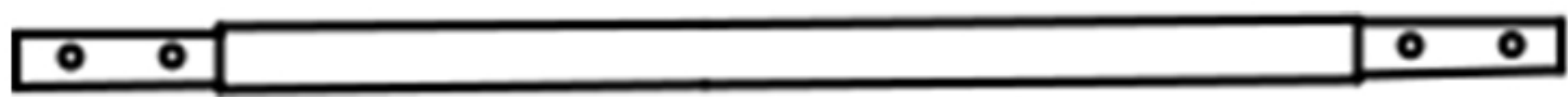


PIPE STRUCTURE LAYOUT DIAGRAM FOR A METAL CARPORT



PARTS

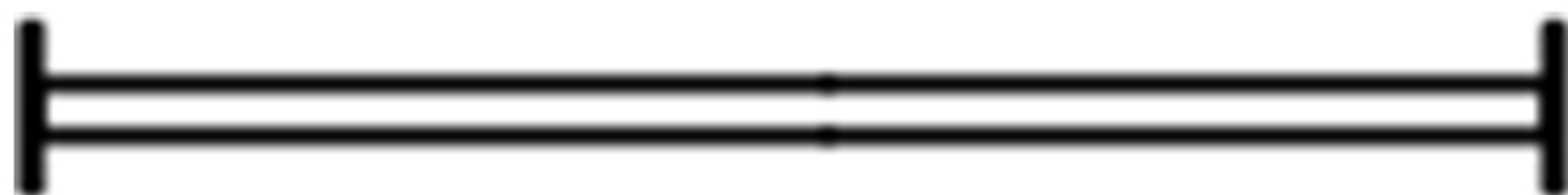
1 Roof Pole1 ×4



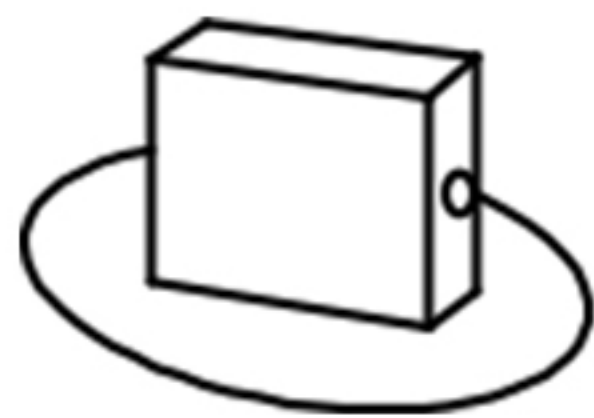
3 Connector ×8



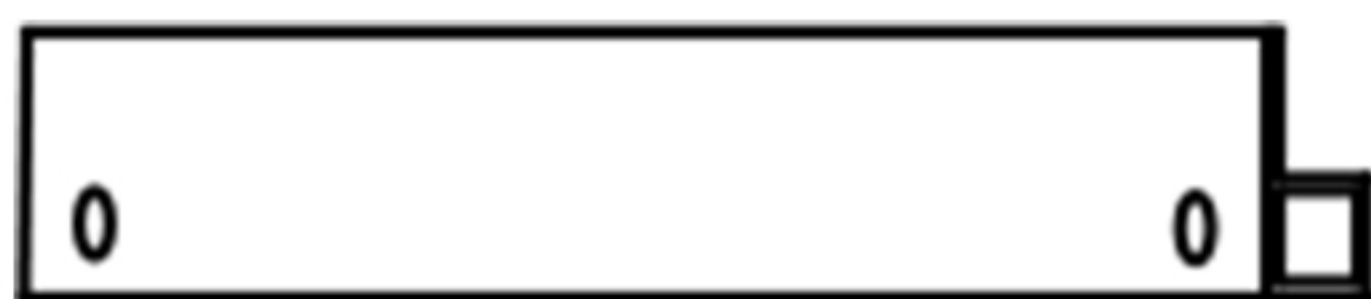
5 Middle Reinforcing Pole ×6



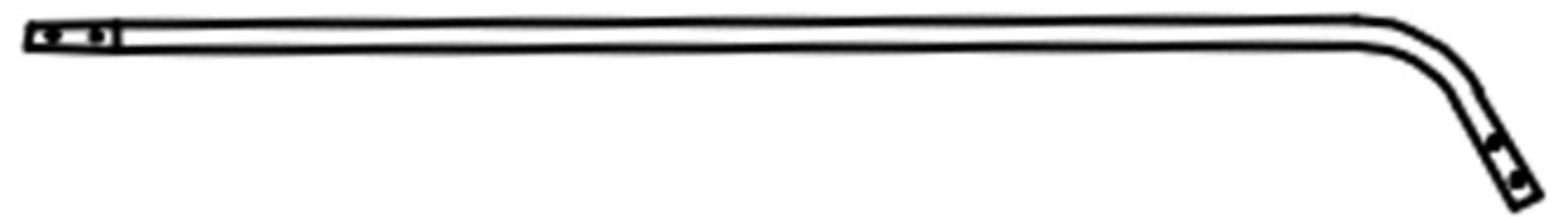
7 Foot Plate ×8



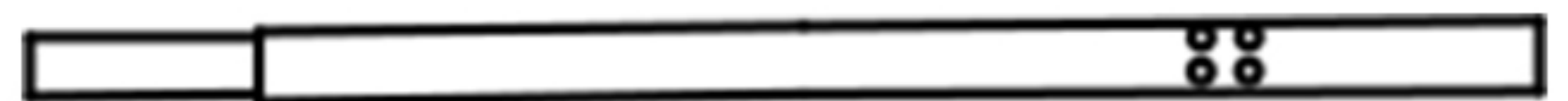
9 Roof Protector1 ×2



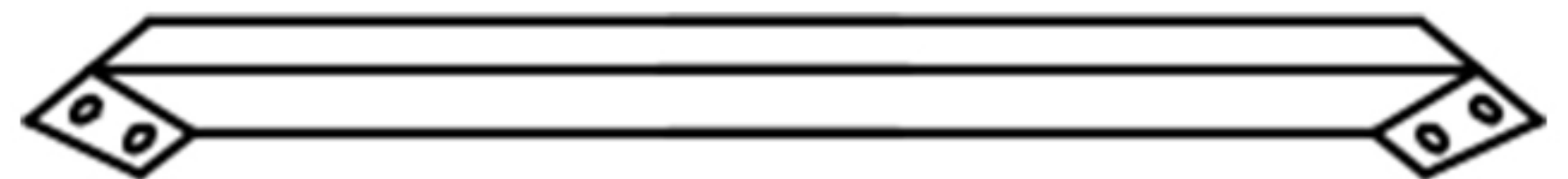
2 Roof Pole2 ×4



4 Leg Pole ×8



6 Top Reinforcing Pole ×12



8 Bottom Reinforcing Pole ×6



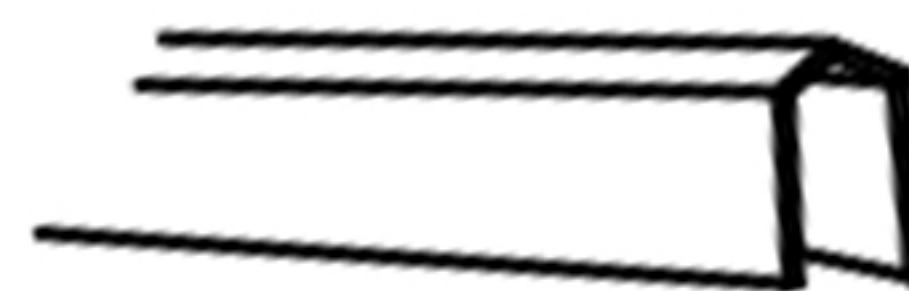
10 Roof Protector2 ×4



11 Roof Cover 1539*503 ×33



17 Edge Rubber Protector 36FT



18 Fabric Bag ×2



HARDWARE & TOOLS

12 Bolt M6*20 ×144 SPARE 7 PCS



13 Bolt M6*45 ×24 SPARE 5 PCS



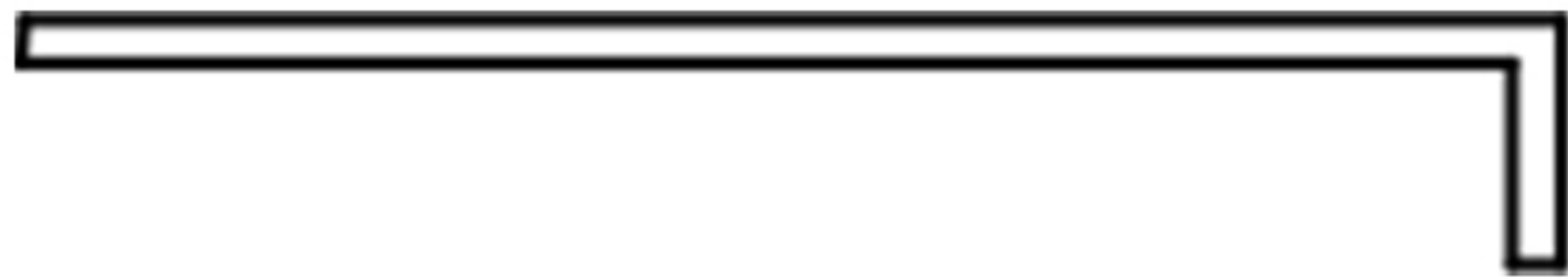
14 Bolt M5*20 ×96 SPARE 10PCS



15 Bolt M5*30 ×12 SPARE 5 PCS



16 Ground Stake M6*200 ×32



19 Waterproof Tape ×4 SPARE
1 PCS



20 Bungee Cord with Ball ×24



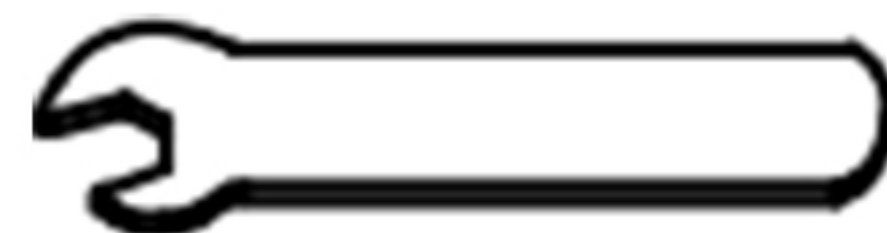
21 Expansion Screws ×16 SPARE
2 PCS



22 Gloves ×2 PAIRS



23 Wrench M6 ×1



ASSEMBLY

Step 1: Frame Assembly

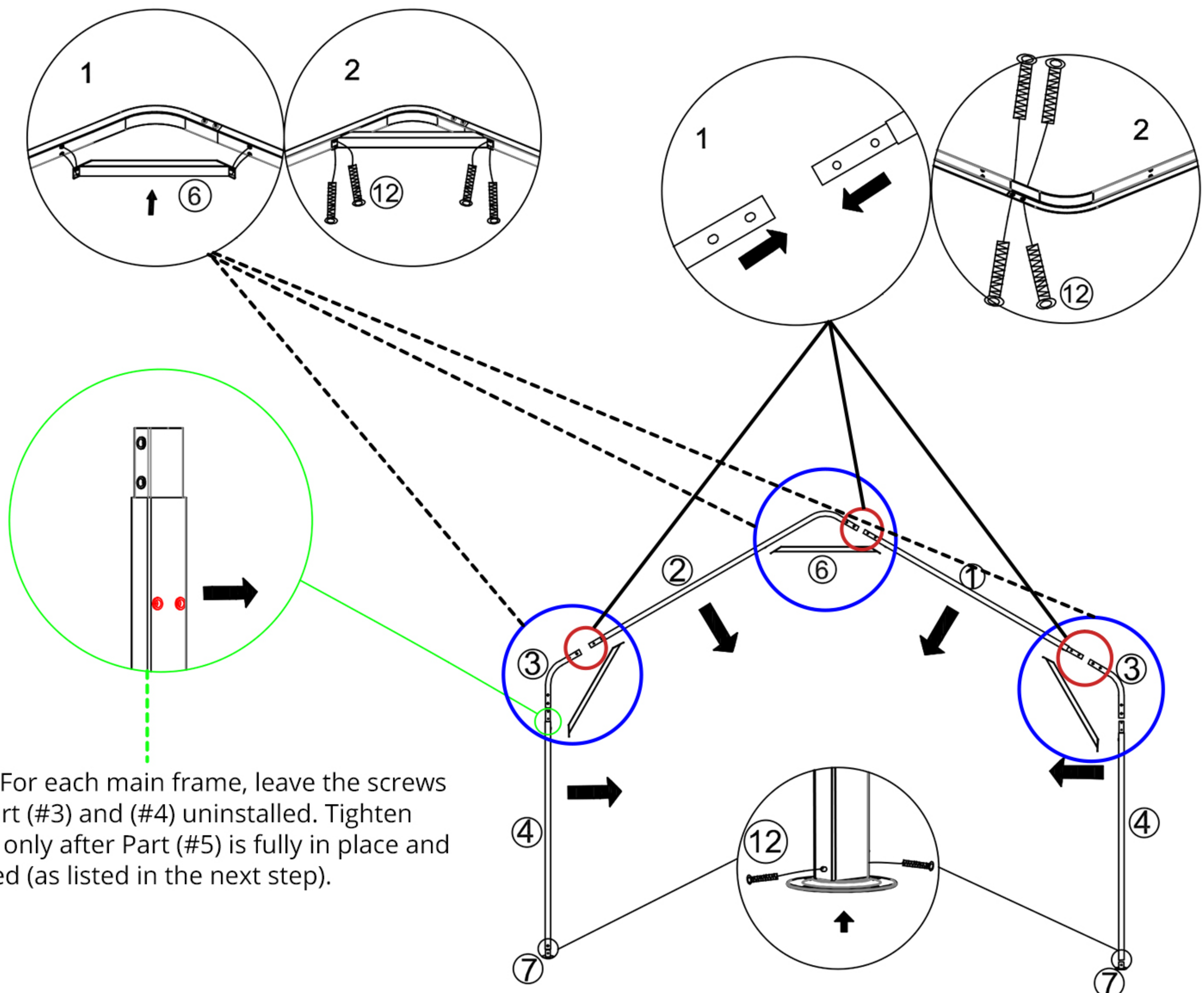
1. Pre-Installation:

The main steel frame should be pre-installed to simplify the subsequent assembly process.

2. Align and Attach:

Locate components (#1), (#2), and (#4). Ensure that the surfaces with rivet holes (Marked with green outlines and red dots) are oriented toward the interior of the frame, as shown in the diagram.

Connect Roof Pole (#1) to Roof Pole (#2), then use Connector (#3) to attach the left and right legs (Part #4) (no screws required), and attach the left and right legs (#4) to the Foot Plate (#7); finally, install Part (#6) to reinforce stability.



Tips: For each main frame, leave the screws on Part (#3) and (#4) uninstalled. Tighten them only after Part (#5) is fully in place and aligned (as listed in the next step).

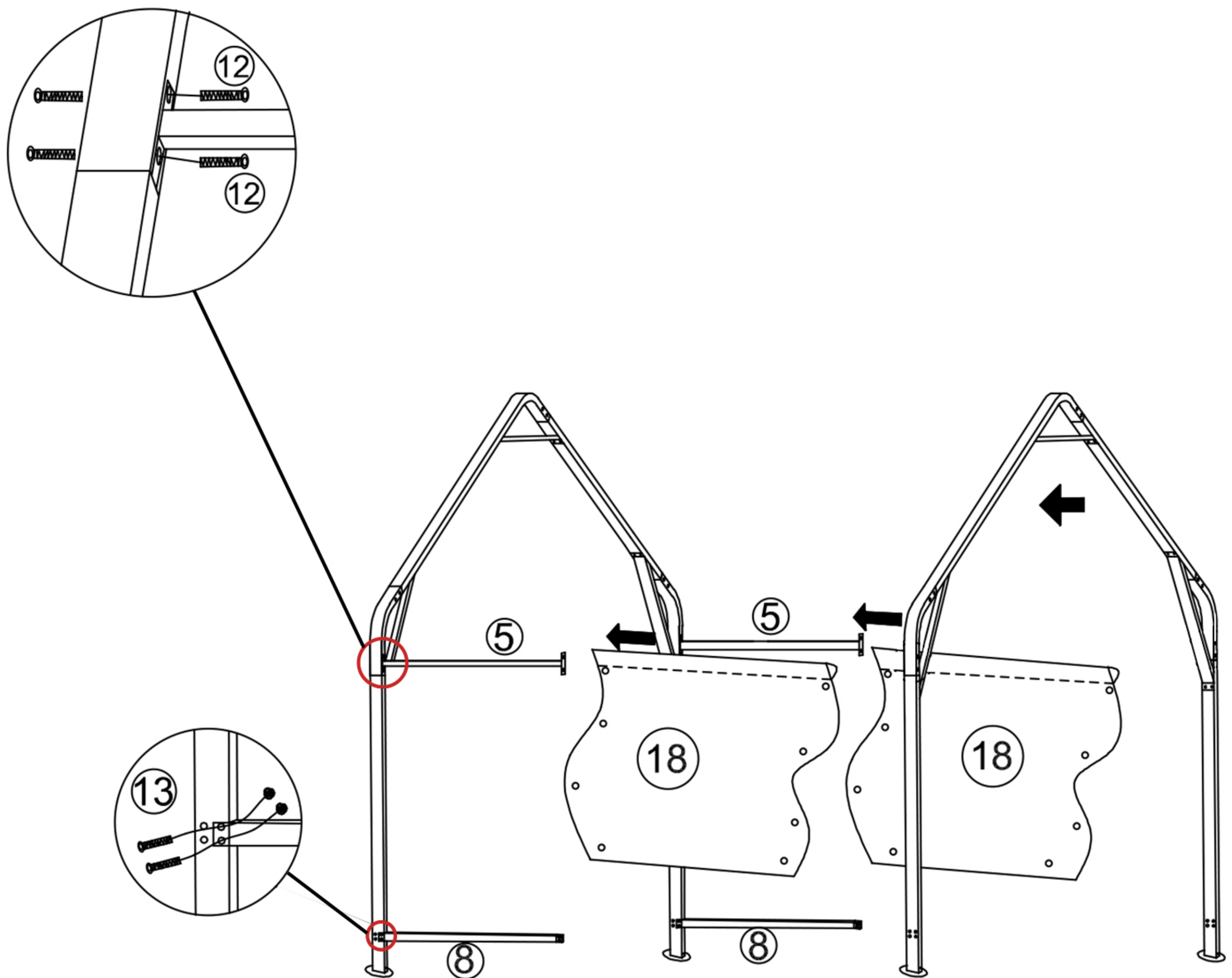


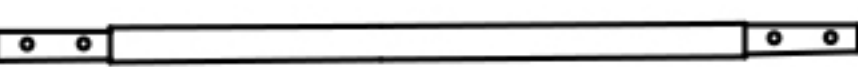


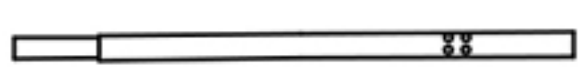



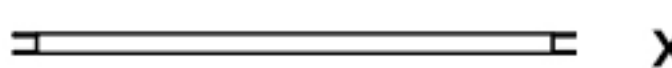



Step 2: Connect to the Pre-Installed Frame

First, attach one end of Stabilizer Pole (#5) to the pre-installed main frame using Bolt M6*20 (#12), then slide the Fabric Bag (#18) through the Stabilizer Pole (#5). Do not install the other end of the Pole (#5) yet, as it needs to be installed together with the next pole that connects to the next main frame.

Next, install Stabilizer Pole (#8) to the main frame in the same way using Bolt M6*45 (#13).

(FYI: The fabric bag can be installed on any Stabilizer Pole (#5) as needed.)



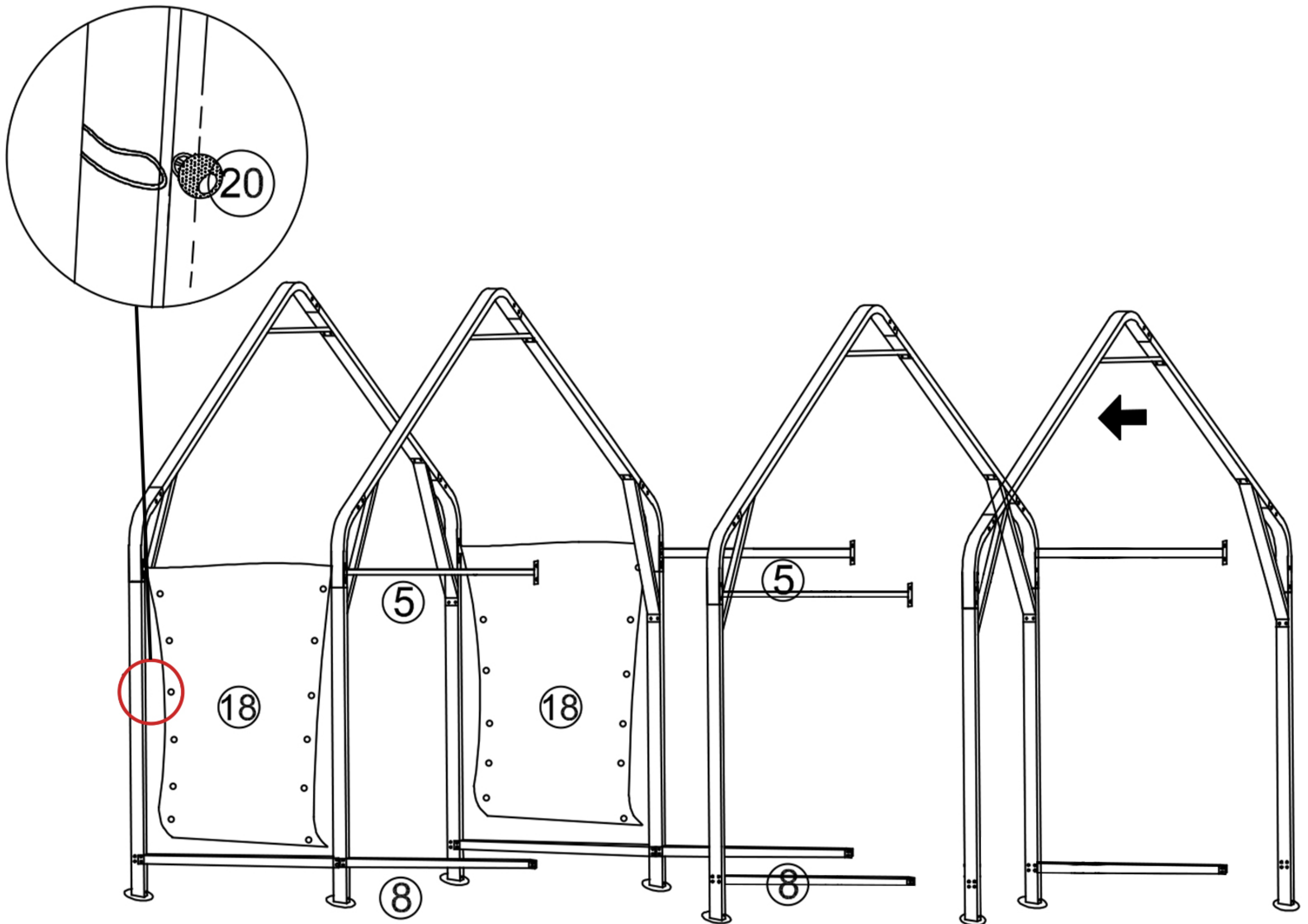
- | | | | |
|---|--|--|--|
| ①  x1 | ②  x1 | ③  x2 | ④  x2 |
| ⑤  x2 | ⑥  x3 | ⑦  x2 | ⑧  x2 |
| ⑫ M6x20  x40 | ⑬ M6x45  x8 | ⑱  x2 | |












Step 3: Connect the Remaining Main Steel Frame

Repeat the above steps to install the remaining main steel frames. When installing the second Pole (#5), attach it together with the end of the previous Pole (#5) to ensure they are securely connected. Similarly, with Poles (#8).

Attach the Fabric Bag:

Use a Bungee Cord with Balls (#20) to connect the Fabric Bag (#18) to the main steel frame. Ensure the fabric is evenly secured along the edges.



- | | | | |
|---|---|---|--|
| ①  x2 | ②  x2 | ③  x4 | ④  x4 |
| ⑤  x4 | ⑥  x6 | ⑦  x4 | ⑧  x4 |
| ⑫ M6x20  x76 | ⑬ M6x45  x16 | ⑳  x24 | |

Step4: Install the First Top-middle Roof Cover

⚠ Notice:

1. The structure consists of 3 rooms, with each individual room requiring 11 Roof Covers (#11). When installing the Roof Covers (#11), ensure to evenly distribute installation by completing half of each side first.

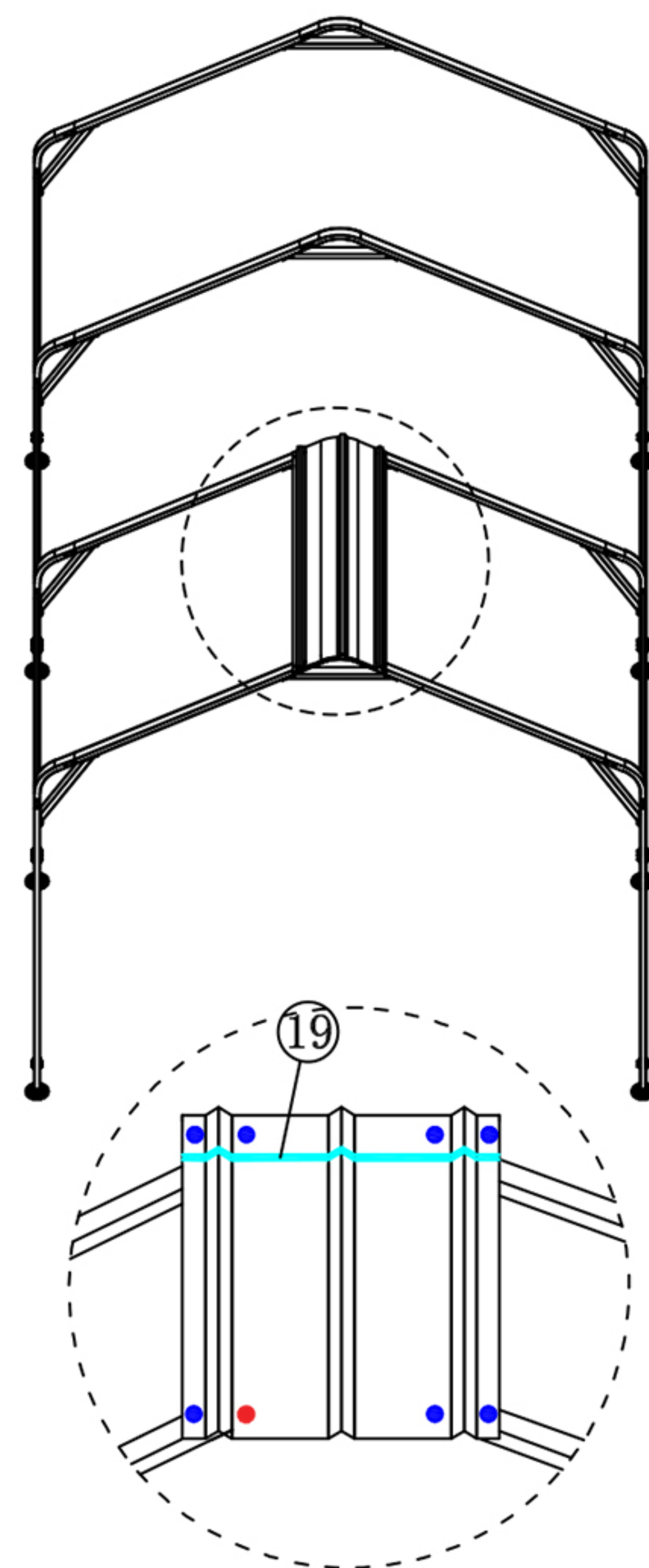
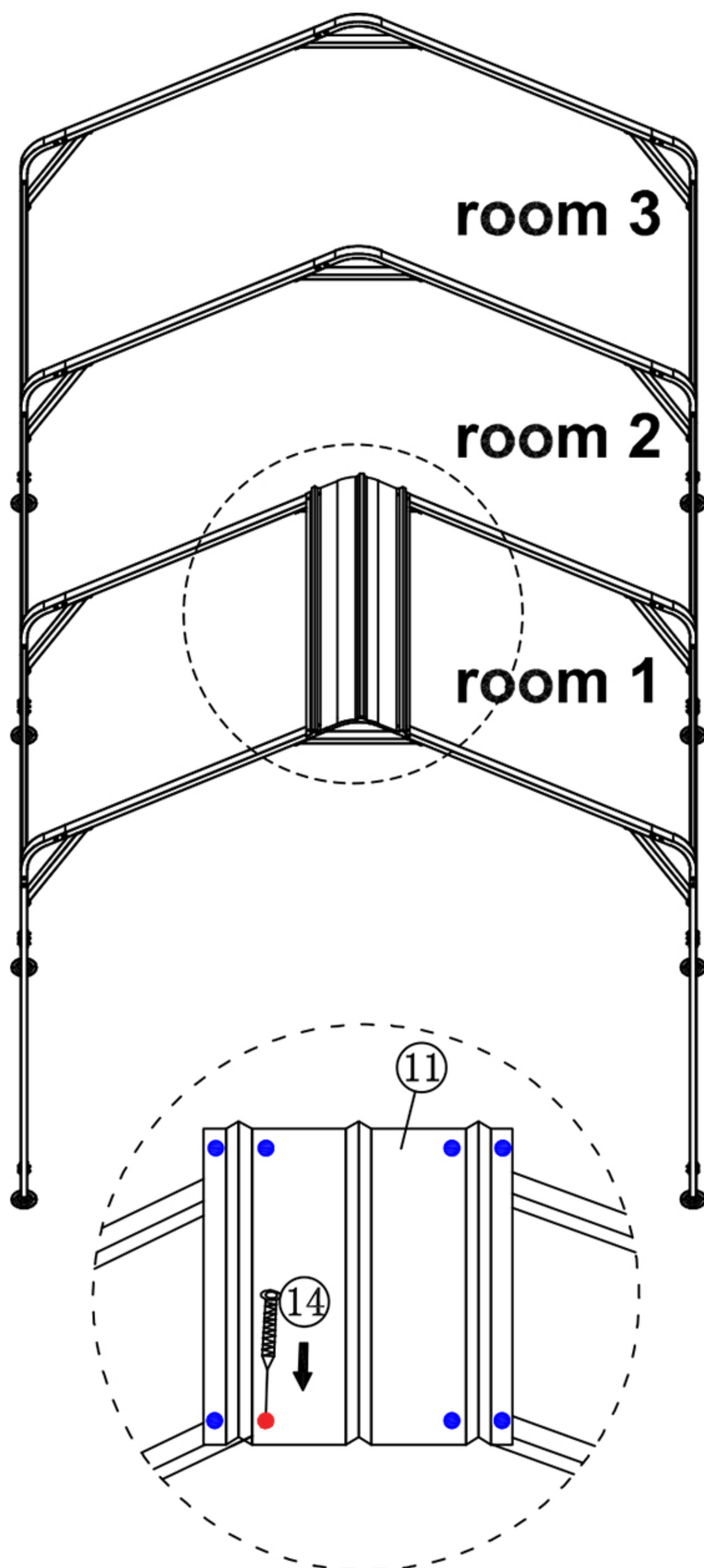
2. Explanation of the color-coded holes on the Roof Cover (#11):

● Blue hole: No screws required at this stage.

● Red hole: Pre-installation only (Do not over-tighten).

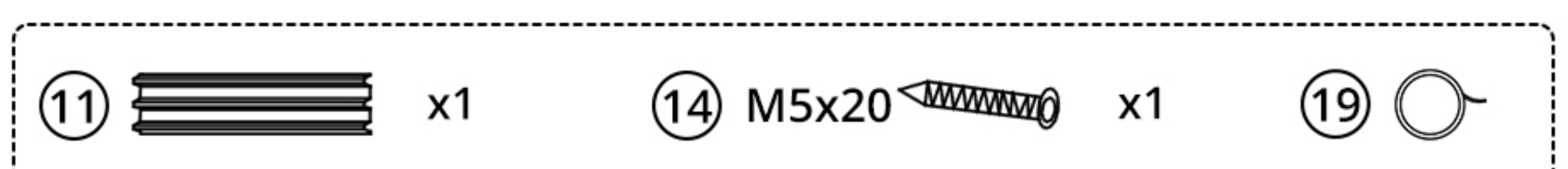
○ Black hole: For normal installation.

1) Starting from the top center of Room 1 and moving toward Room 3, install the first row of Roof Cover (#11).



3) Apply Waterproof Tape (#19) to each Roof Cover (#11) during installation as shown in the diagram.

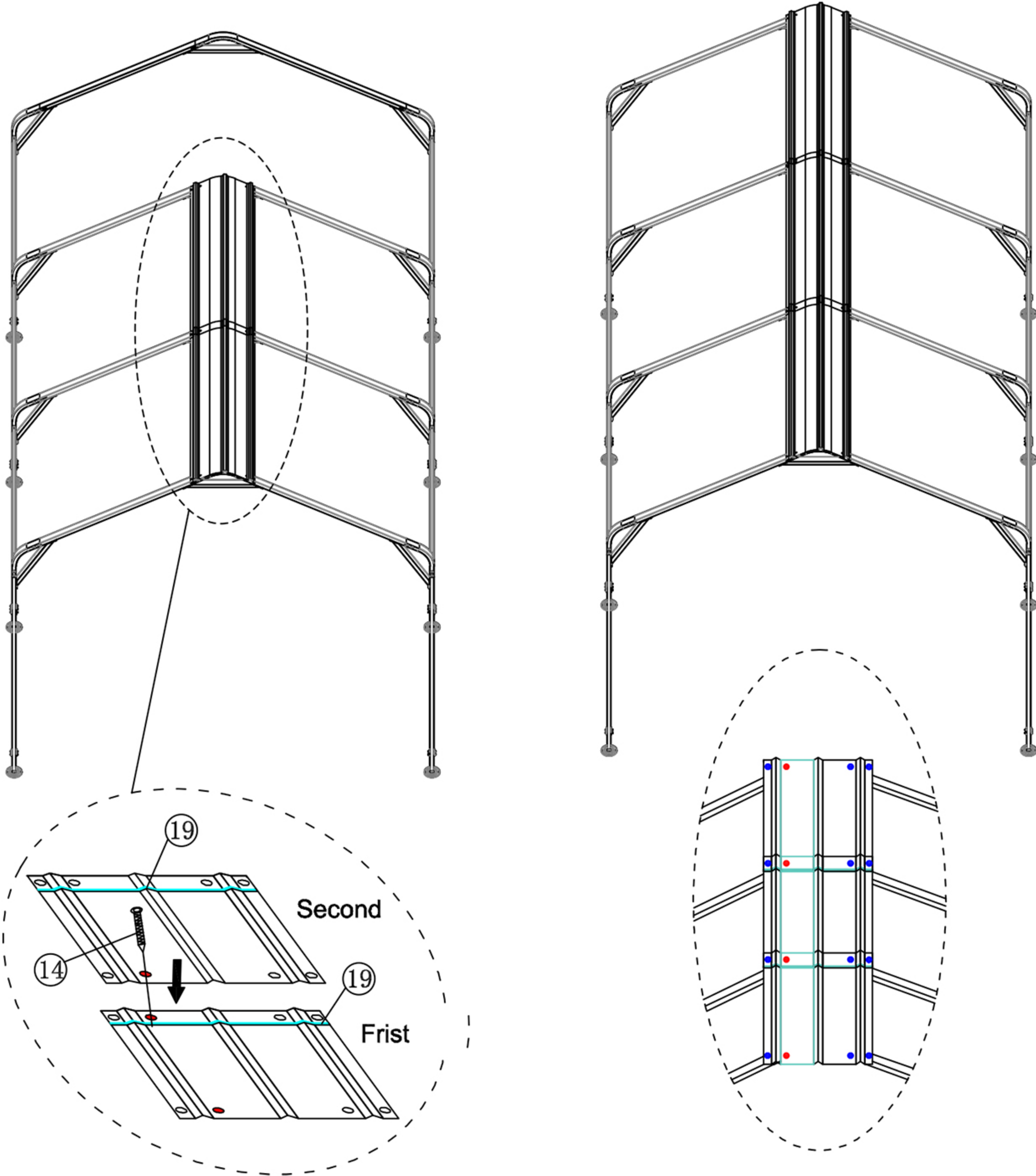
2) Install only one screw in the red hole using Bolt M5*20 (#14). This is for positioning purposes; the screw will need to be removed later when installing the next roof panel, so both panels can be assembled together.



Step5: Install the Remaining Top-middle Roof Covers

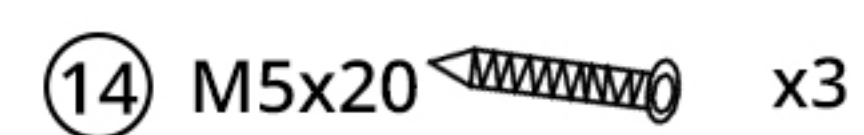
⚠ Notice:

1. Ensure the screw holes are properly aligned before applying Waterproof Tape (#19).
2. Check that there are no gaps between the two Roof Covers (#11) to prevent water leakage.



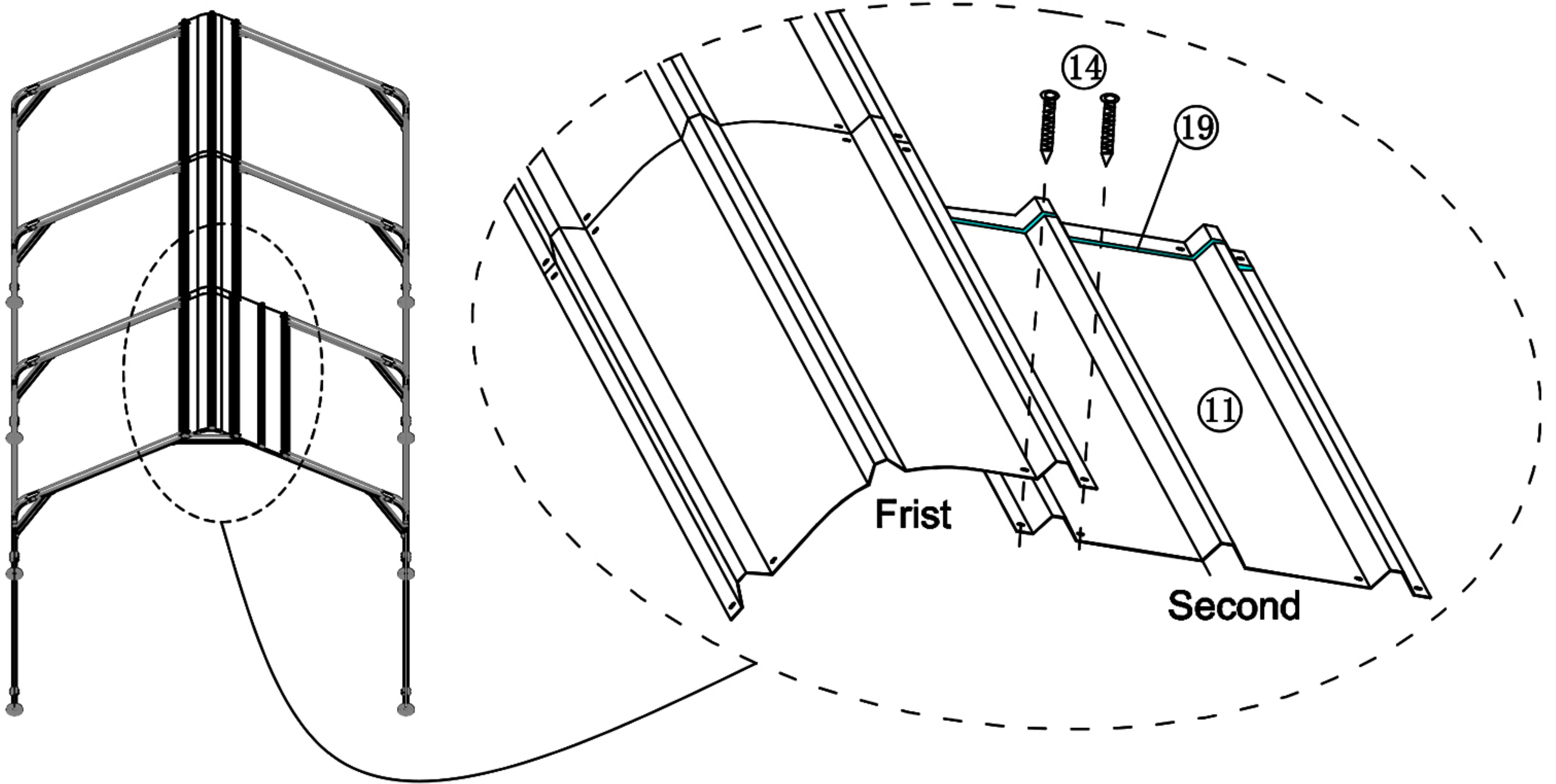
1) Position the second Roof Cover (#11) over the first Roof Cover (#11), aligning the red holes. Secure them together at the red hole using Bolt M5*20 (#14).

2) Repeat the previous steps to continue installing the remaining Roof Covers (#11) in the middle row.

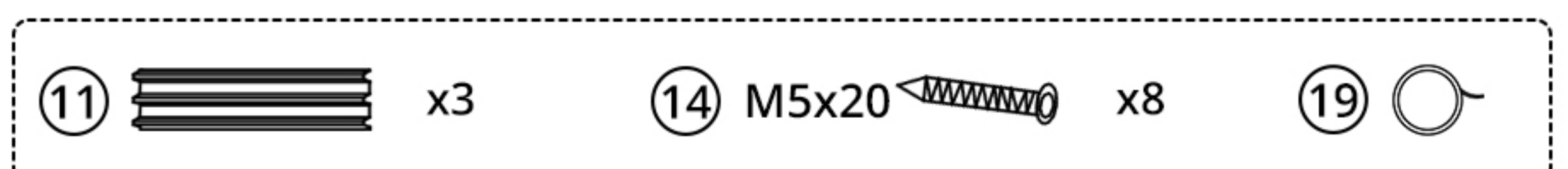
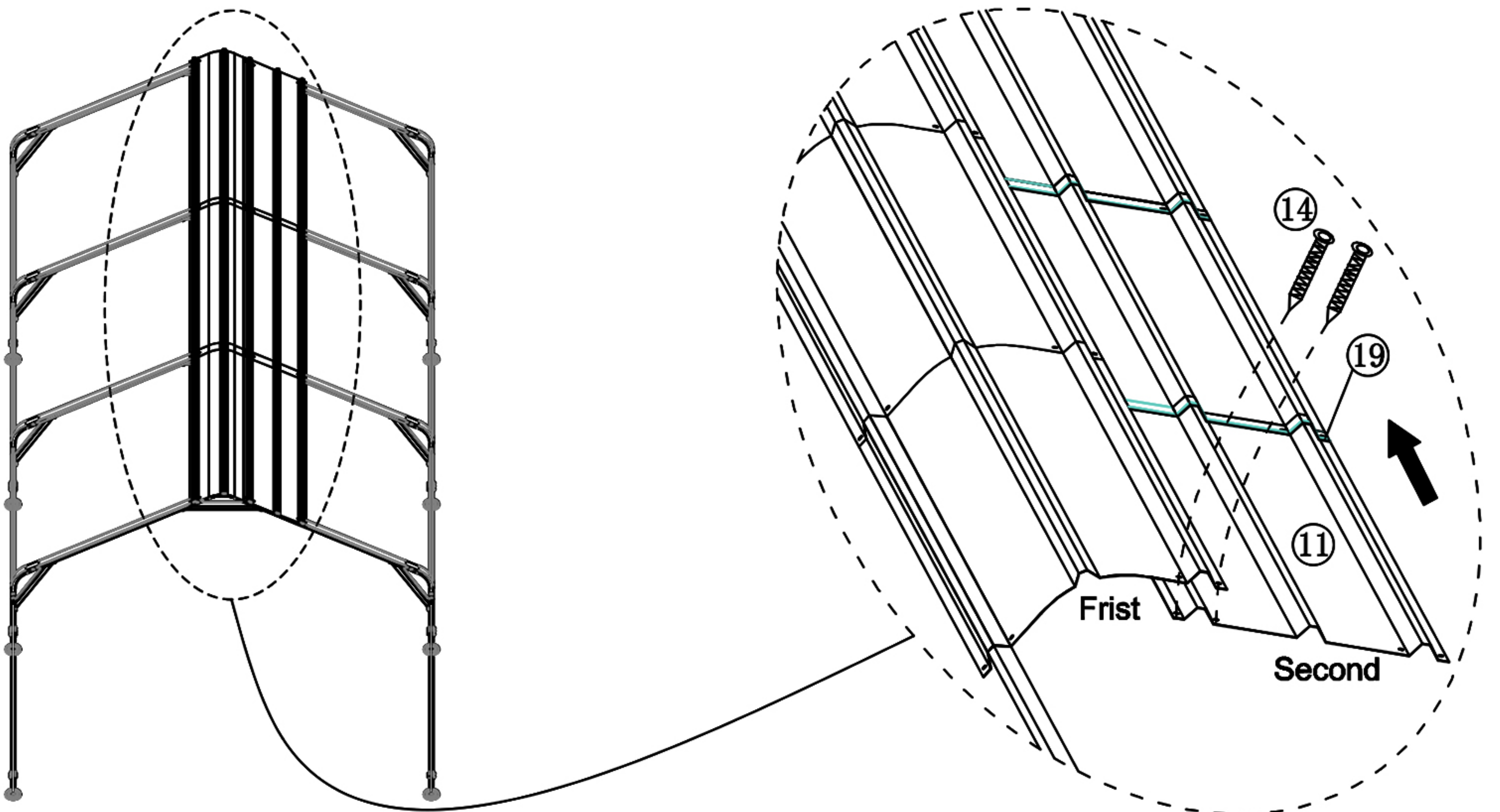


Step6: Install the First Row on the Right

1) Once the middle row is complete, proceed to install the rows on the right. Ensure each new Roof Cover (#11) is properly overlapped beneath the preceding row. Fasten each cover securely using Bolt M5*20 (#14), as illustrated in the diagram.

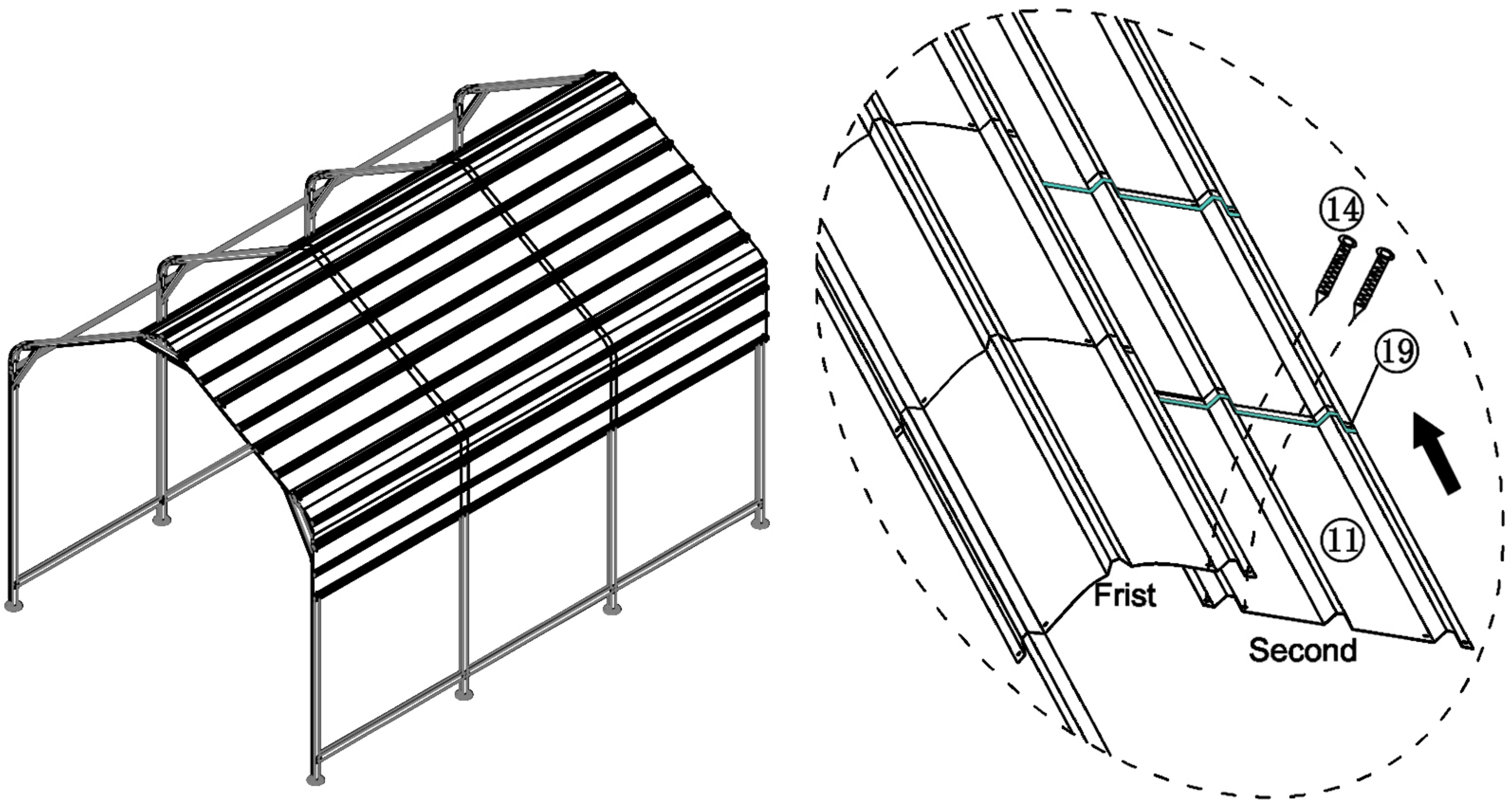


2) Repeat the same process: apply Waterproof Tape (#19) to the Roof Covers (#11) before installing the next Roof Cover (#11).

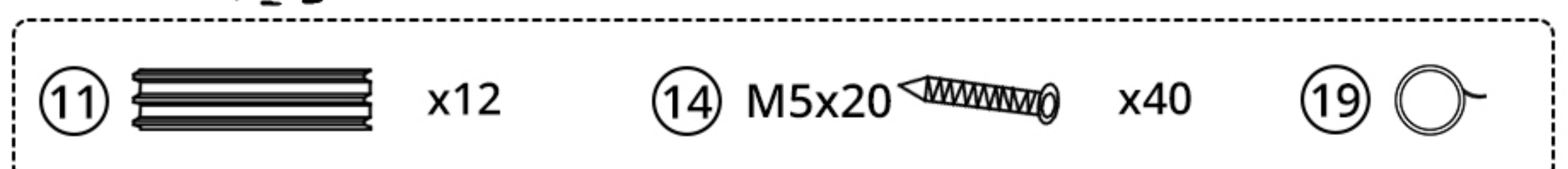
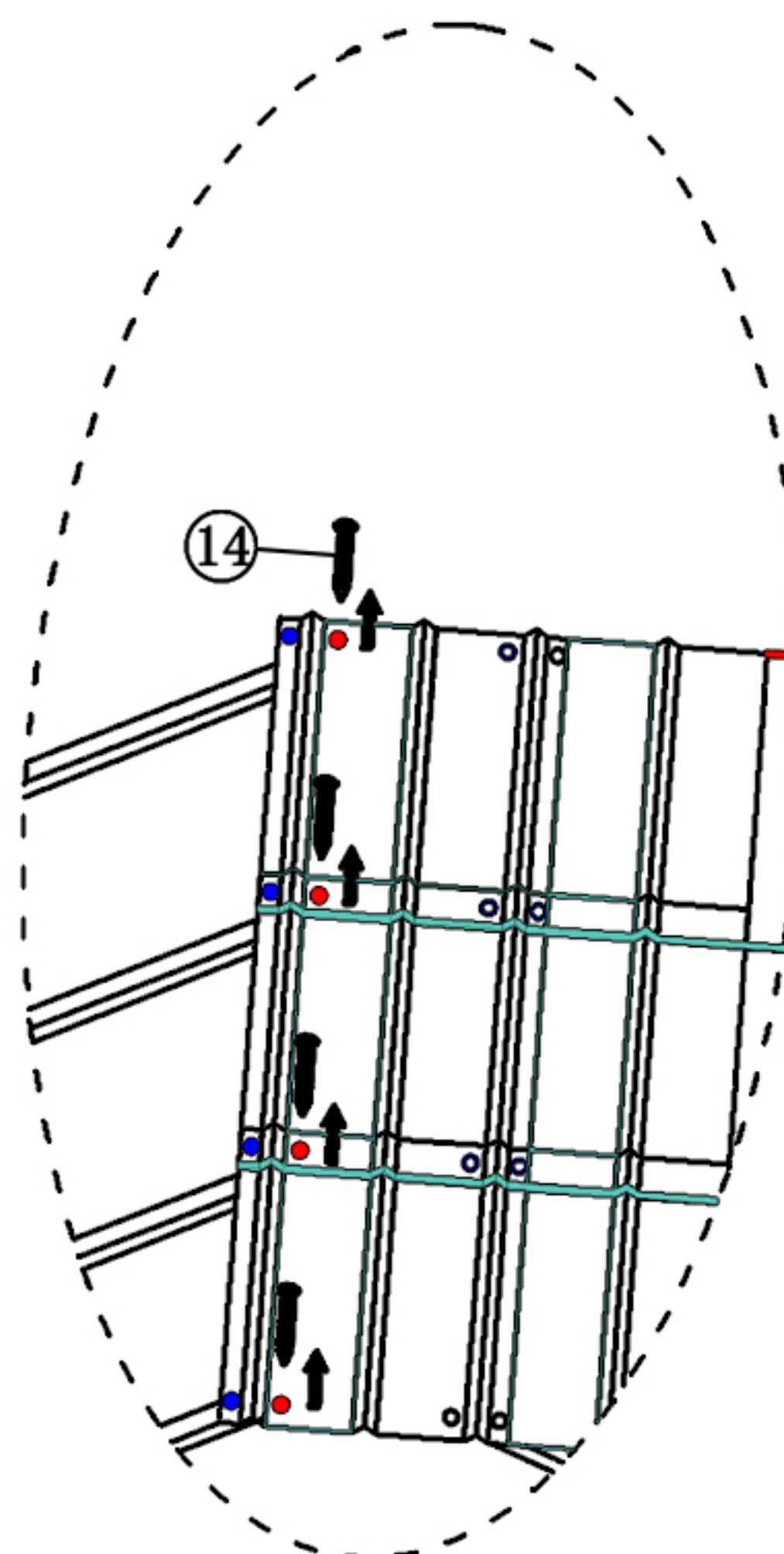


Step7: Install the Remaining Rows on the Right

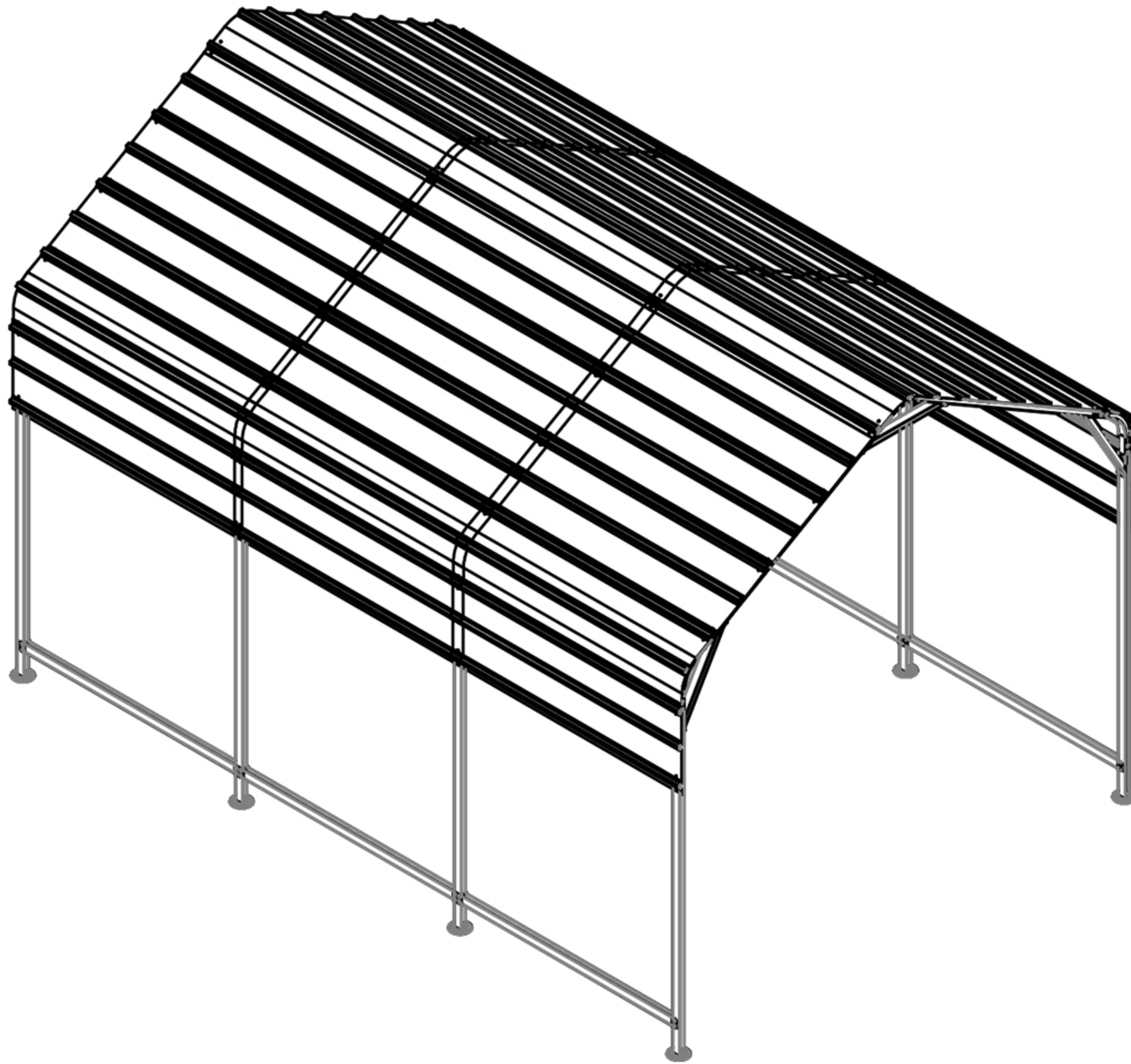
1) Continue with the previous steps to install the Roof Covers (#11) in the remaining 4 rows on the right.



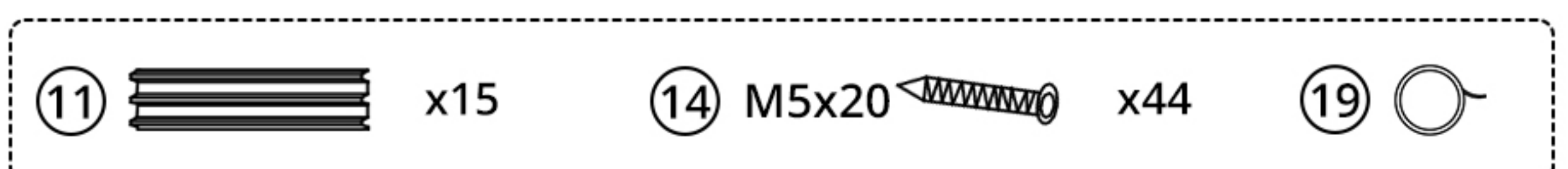
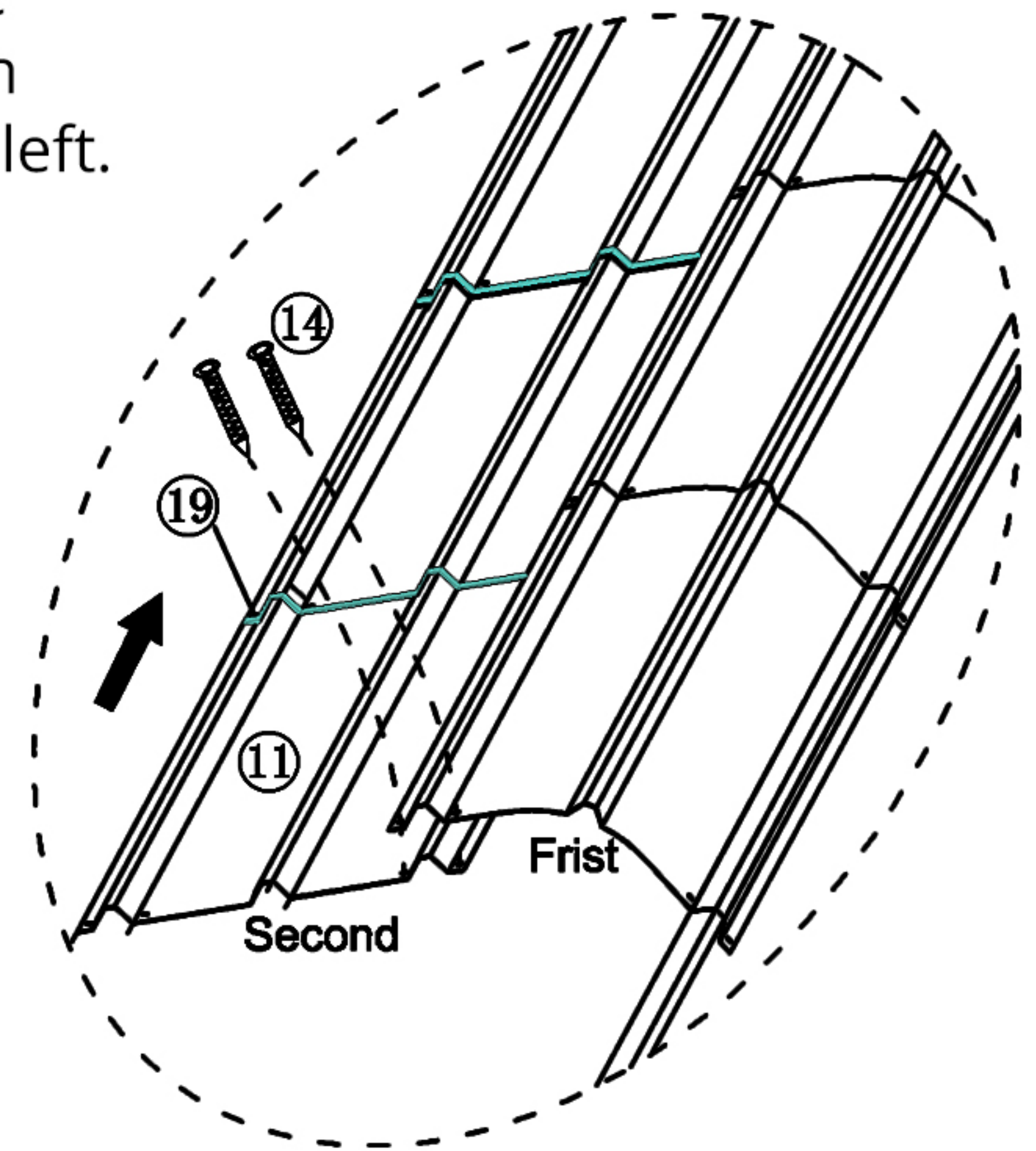
2) Proceed to install the Roof Covers (#11) in the 5 rows on the left. Before starting, remove the screws from the red screw holes as indicated. The screws are removed to allow the left-side Roof Covers to be secured together with the previously installed right-side Roof Covers for a unified and stable installation.



Step8: Install the Remaining Rows on the Left

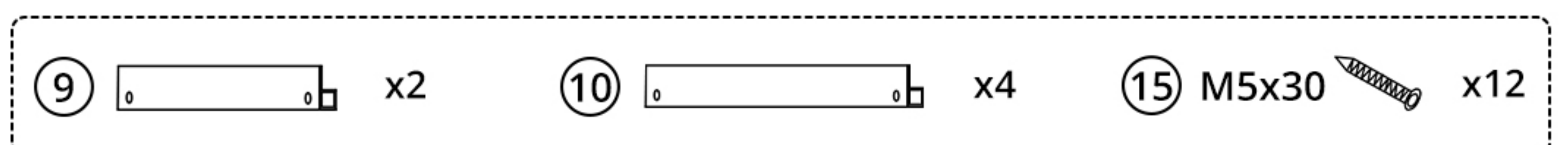
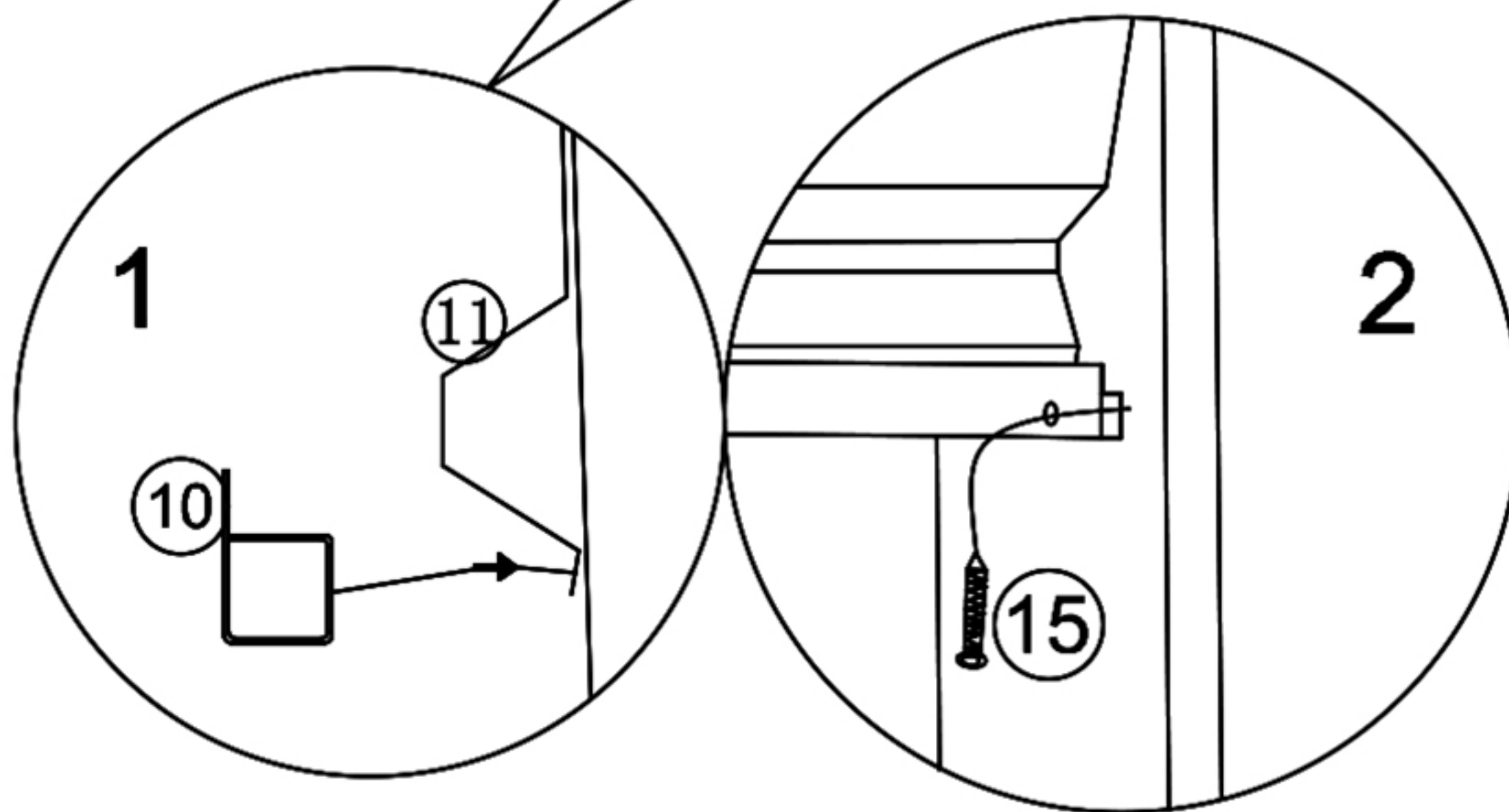
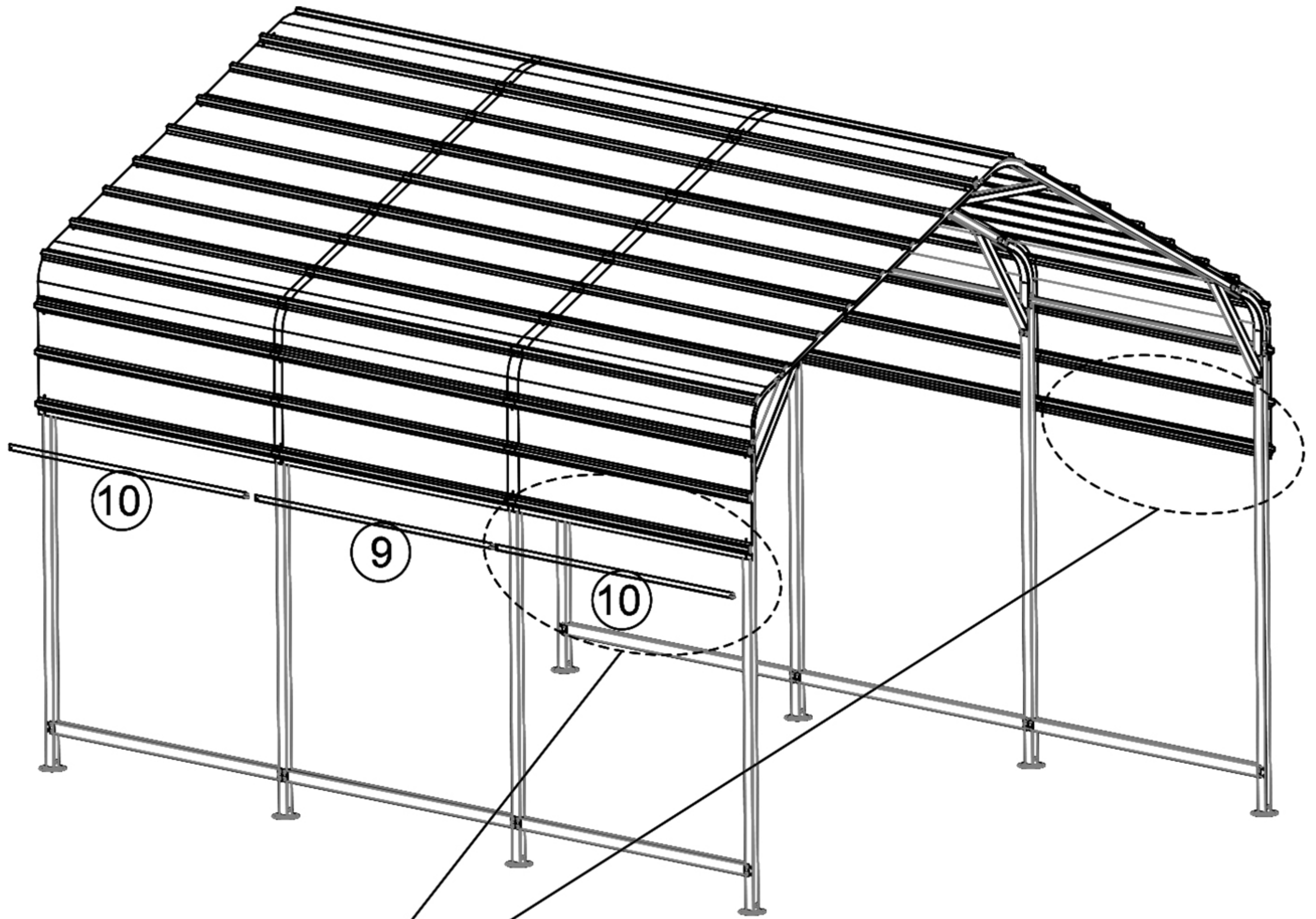


Follow the same installation steps used for the 5 rows on the right to complete the installation of the Roof Covers (#11) for the 5 rows on the left.



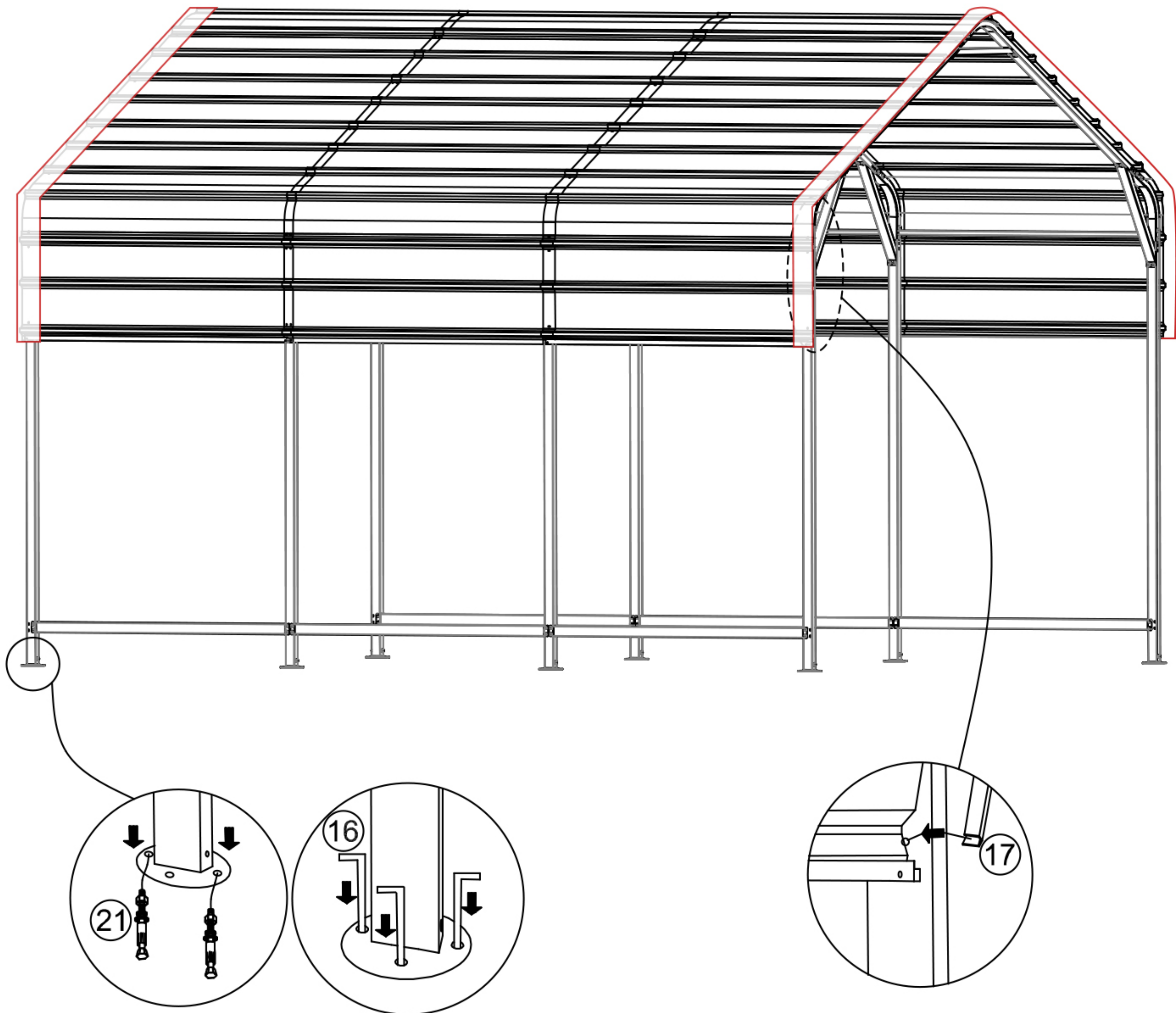
Step9: Install the Roof Protector Poles


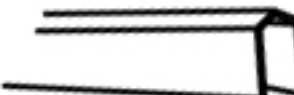

Attach the Roof Protector Pole 1 (#9) & Roof Protector Pole 2 (#10) to the Roof Cover (#11) using Bolt M5*30 (#15).



Step10: Anchor the Carport

- 1) Fix the Foot Plate (#7) to the ground using Expansion Screws (#21) or Ground Stake M6*200 (#16).
- 2) Secure the Edge Rubber Protector (#17) on both sides of the entire Roof Cover (#11) to prevent sharp edges.



(16)  x32 (17)  36FT (21)  x16

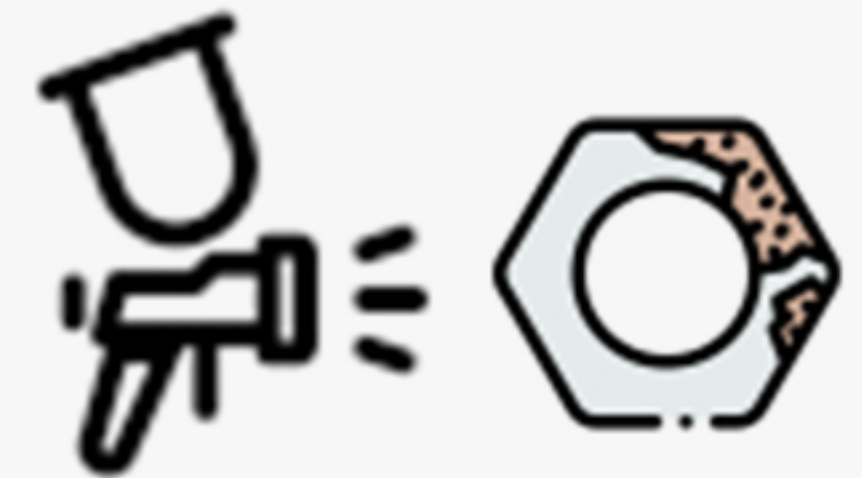
MAINTENANCE AND CARE



1. REGULAR CLEANING

- Clean the carport every few months or as needed to prevent dirt and debris from accumulating. Use a mild detergent and water to wash down metal surfaces, then rinse thoroughly with a hose.
- For stubborn stains, a soft brush can help, but avoid abrasive materials that could scratch the metal.

- Metal carports are designed to resist rust, but small areas might develop over time, especially if there are chips or scratches in the paint.
- Inspect the carport regularly for signs of rust or corrosion. If you find any, lightly sand the area, clean it, and apply a rust-resistant primer and touch-up paint.



2. INSPECT FOR RUST



3. CHECK FOR LOOSE SCREWS AND BOLTS

- High winds, rain, and daily use can loosen screws and bolts. Inspect and tighten all fasteners, screws, and bolts every six months to maintain structural integrity.

- Regularly remove leaves, snow, and debris from the roof. Accumulated snow, in particular, can put strain on the carport's structure.
- Consider installing additional support if you live in an area with heavy snowfall or high winds.



4. PROTECT AGAINST WEATHER DAMAGE



5. INSPECT THE ROOF AND SEALANTS

- Check for signs of wear and tear on the roof, including leaks, cracks, and worn sealants.
- Reseal or patch any problem areas with a metal-safe sealant to prevent water infiltration, which can lead to rust or structural damage.

MAINTENANCE AND CARE

- Trim back trees and shrubs that are close to the carport to prevent branches from rubbing against the structure.
- Remove any vines or vegetation growing on or near the carport to avoid moisture buildup and potential rust.



6. KEEP THE AREA CLEAR



7. ROUTINE CHECK FOR STABILITY

- Over time, settling ground or shifting conditions can affect the stability of your carport. Ensure that it remains level and make adjustments if you notice any tilt or unevenness.

CALIFORNIA PROPOSITION 65

⚠ WARNING: This product can expose you to Carbon monoxide, which is known to the State of California to cause birth defects or other reproductive harm. For more information go to WWW.P65Warnings.ca.gov

QUESTION ABOUT OUR PRODUCT? WE'RE HERE TO HELP.

————— Contact us at: primegardenservice@yeah.net —————