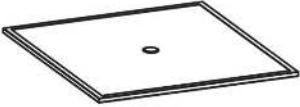









# **Patio Square Dining Table Assembly Manual**



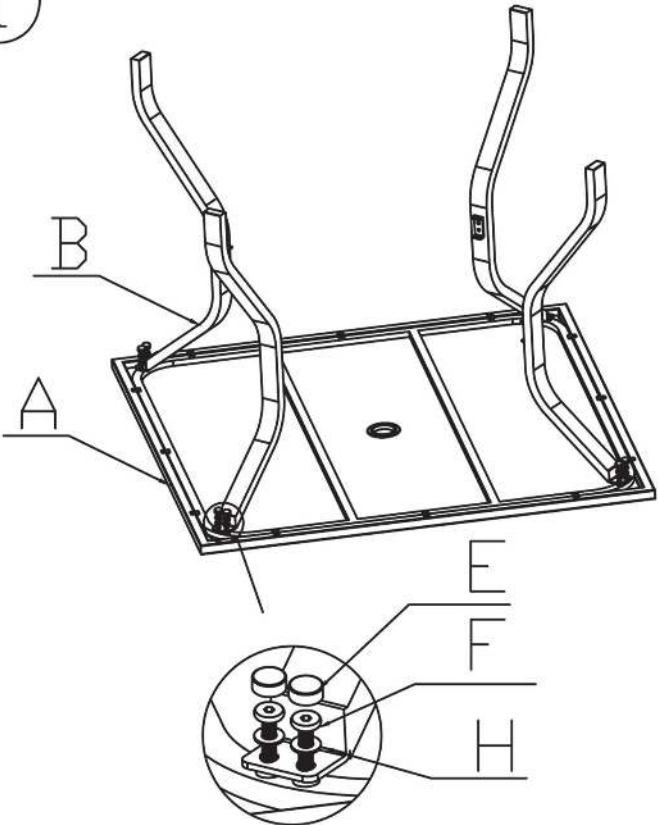
- Prior to assembly, please confirm all of the parts listed included.
- All bolts should be tightened before use. Maybe, you need allen wrench for assembly.
- Missing Part? Damaged? Contact us via email.

# Parts List:

 1X	 4X	 1X	 1X
 16X	 M6*16 8X	 M6*25 8X	 16X

## Step 1:

①

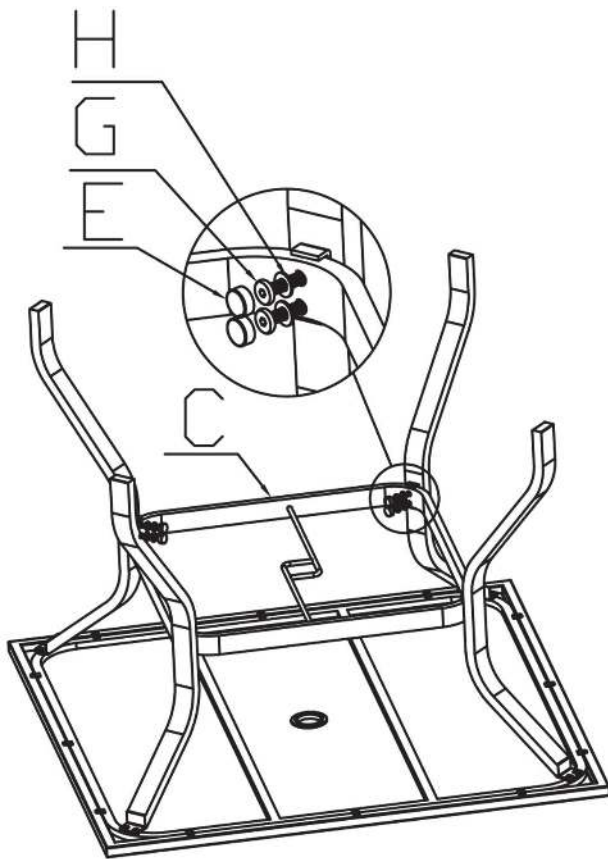


Assemble Part B( Legs ) to Part A(table top) with Part E,Part F and Part H as shown in the diagram.

Notice: Please don't tighten the screws before assemble Part C.

# Step 2:

②



Assemble Part C to the Part B(legs) with Part H,Part G and Part E.Then tighten the screws before using.

③

