

CLEARANCES & DIMENSIONS

- Dimensions that are shown in **Figure 1** must be used. Given dimensions provide minimum clearance. Locate electrical outlet in the shaded area in the upper left-hand corner of the cutout. See **Figure 3**.

- Contact surface must be solid and level. Pay special attention to the floor on which the Microwave Drawer will sit. The floor of the opening should be constructed of plywood strong enough to support the weight of the oven (about 100 pounds).

- Check location where the Microwave Drawer will be installed for proper electrical supply.

- Your oven can be built into a cabinet or wall by itself or under a gas or electric wall oven.

- Be sure that the clearance of the floor between the wall oven and the microwave drawer is a minimum of 2 inches.

- The microwave interior will easily accommodate a 9" x 13" oblong dish or a bag of microwave popcorn.

MICROWAVE DRAWER MEASUREMENTS

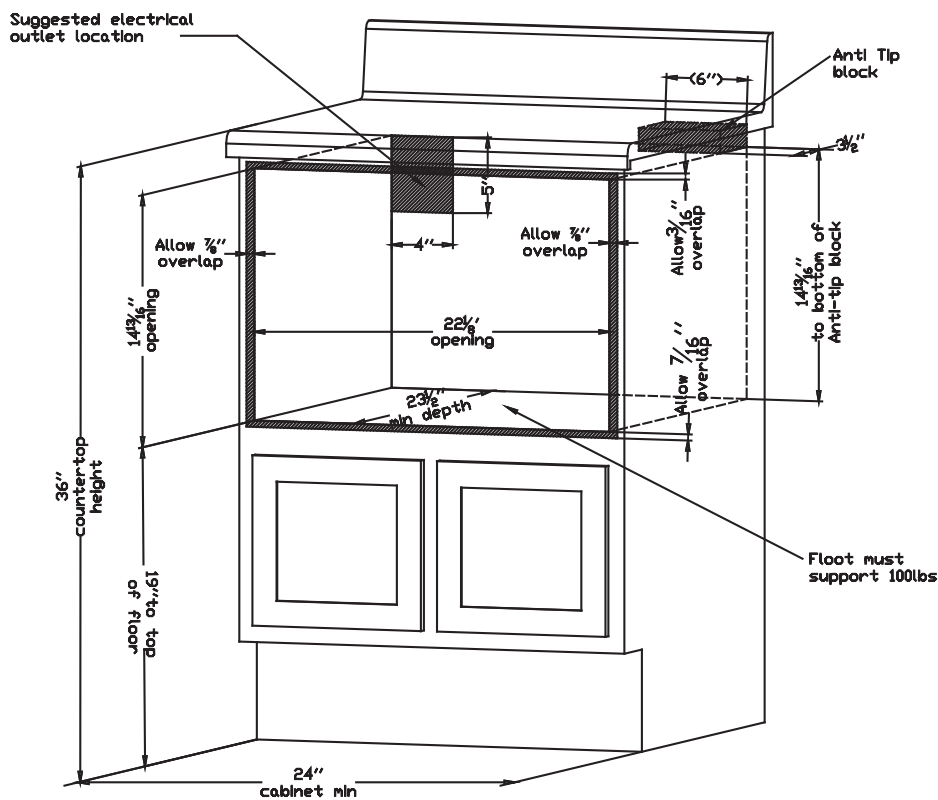


Figure 1

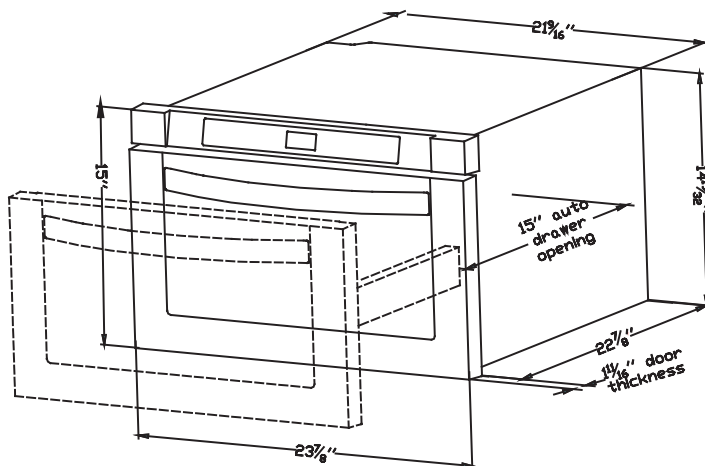


Figure 2

(COS-12MWDSS SHOWN)

Figures 1 and Figure 2 contain many Microwave Drawer measurements for reference when planning the drawer's location. This Microwave Drawer can be installed below any electric or gas wall oven.

*Can also be installed using an electrical outlet in an adjacent cabinet within the area where tire provided electrical cord can reach. Power cord access hole in cabinet should be a minimum 1 1/2" diameter hole and debarred of all sharp edges.

IMPORTANT Always allow sufficient power cord length to the electrical outlet to prevent tension. Always check electrical codes for requirements.