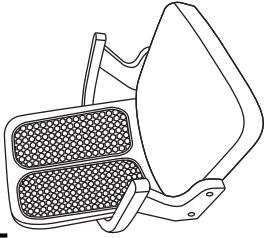
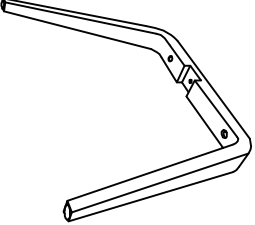
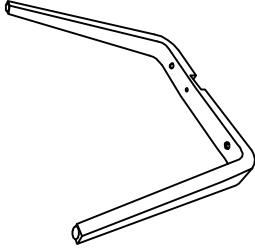

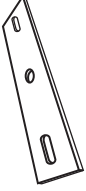
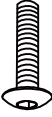
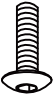

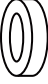

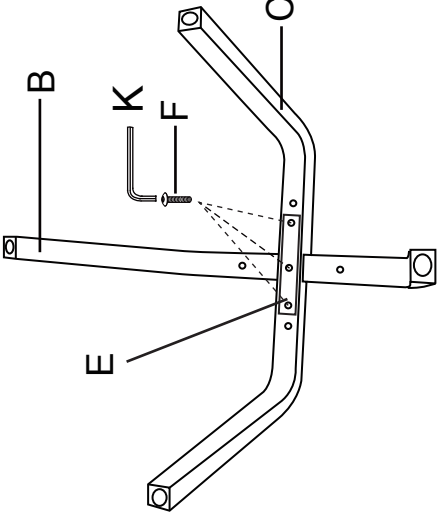
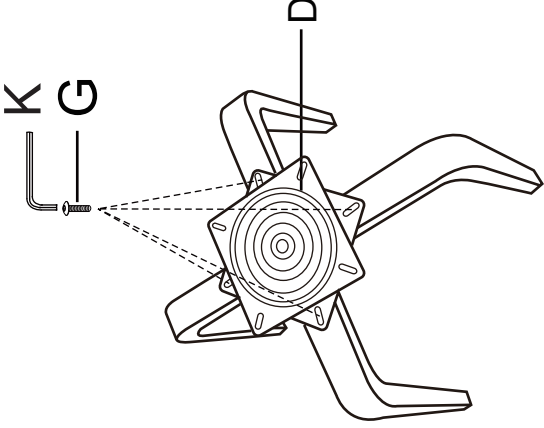
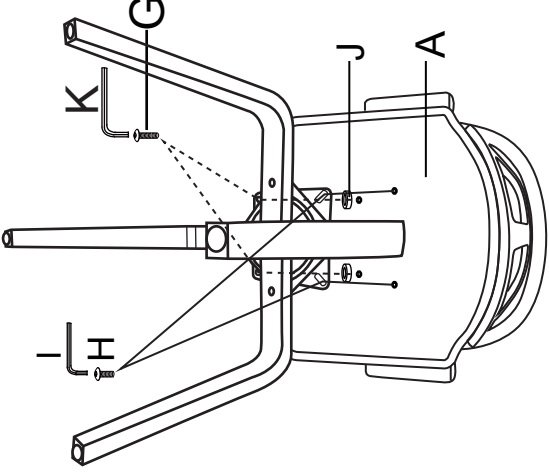


ASSEMBLY INSTRUCTION

8515A

AX1 	BX1 	CX1 	DX1 	EX1 
FX3+1  M6X30mm	GX6+1  M6X25mm	HX2+1  M6X20mm	JX2 	KX1 
1 		2 		3 
4 