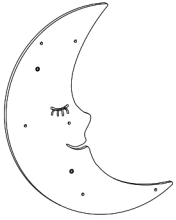


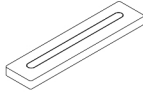
# ASSEMBLY INSTRUCTION



**A** × 1



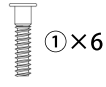
**B** × 1



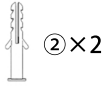
**C** × 1



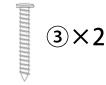
**D** × 1



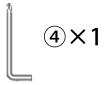
**1** × 6



**2** × 2



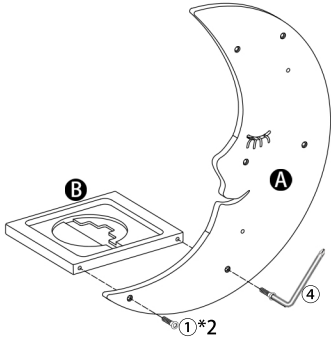
**3** × 2



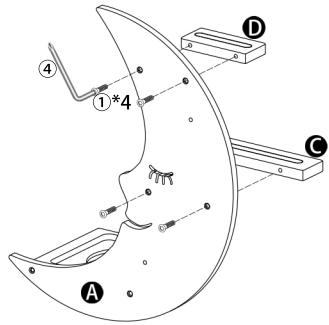
**4** × 1



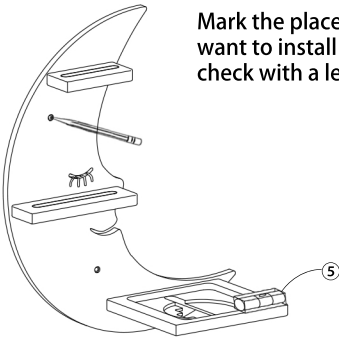
**5** × 1



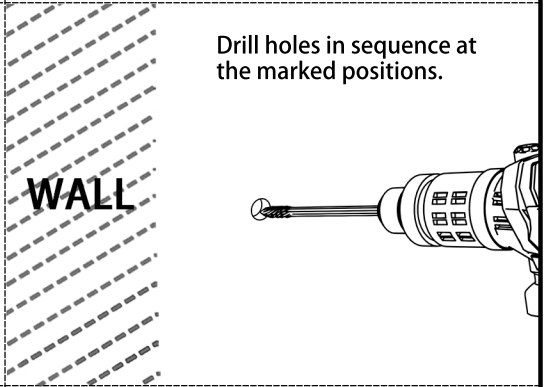
Screw parts A B together with screwdriver **4**.



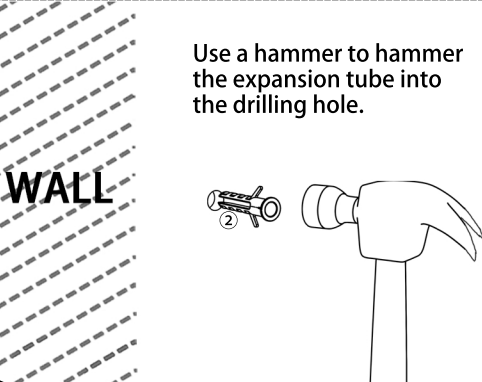
Screw parts A C D together with screwdriver **4**.



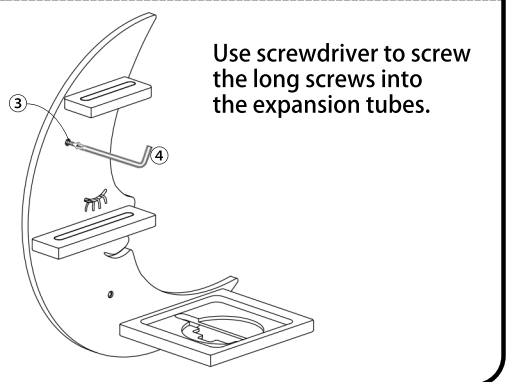
Mark the place where you want to install the shelf and check with a level.



Drill holes in sequence at the marked positions.



Use a hammer to hammer the expansion tube into the drilling hole.



Use screwdriver to screw the long screws into the expansion tubes.