

ASSEMBLY INSTRUCTIONS



COMPUTER DESK

ASSEMBLY INSTRUCTIONS

ASSEMBLY TIPS:

1. Remove hardware from box and sort by size.
2. Please check to see that all hardware and parts are present prior to start of assembly.
3. Please follow attached instructions in the same sequence as numbered to assure fast & easy assembly.



WARNING!

1. Don't attempt to repair or modify parts that are broken or defective. Please contact the store immediately.
2. This product is for home use only and not intended for commercial establishments.



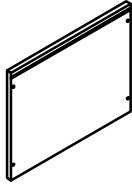
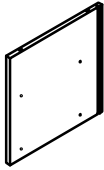
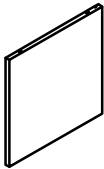
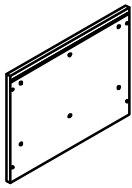
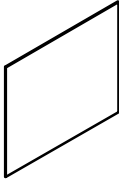
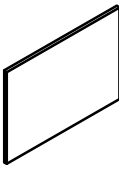
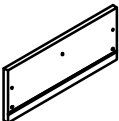
ASSEMBLY TIME 70 MINUTES

PARTS IDENTIFICATION

A	FRAME		1PC
B	FRAME		1PC
C	BACK PAENL		1PC
D	IRON TUBE		2PCS
E	GLASS TOP		1PC
F	BRACE		1PC

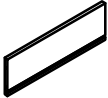
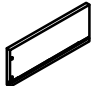
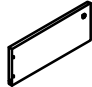
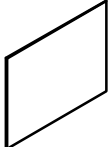

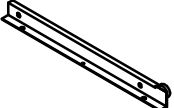
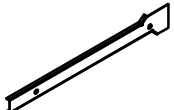
ASSEMBLY INSTRUCTIONS

PARTS IDENTIFICATION

G	CABINET BOTTOM		1PC
H	CABINET SIDE PANEL		1PC
I	CABINET SIDE PAENL		1PC
J	CABINET TOP		1PC
K	CABINET BACK PANEL		1PC
L	KEYBOARD		1PC
M	DRAWER DOOR PANEL		2PCS

ASSEMBLY INSTRUCTIONS

PARTS IDENTIFICATION

N	DRAWER BACK PANEL		2PCS
O	DRAWER SIDE PANEL		2PCS
P	DRAWER SIDE PANEL		2PCS
Q	DRAWER BOTTOM		2PCS
R	SIDE GLIDE RAILS		2PCS
S	SIDE GLIDE RAILS		2PCS
T	SIDE GLIDE RAILS		2PCS

ASSEMBLY INSTRUCTIONS

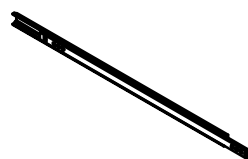
PARTS IDENTIFICATION

U SIDE GLIDE RAILS



2PCS

V SIDE GLIDE RAILS





2PCS

HARDWARE IDENTIFICATION

1 WOOD DOWEL
(6 x 30mm)  4PCS

2 BOLT
(3/16" x 10mm BLK)  4PCS

3 BOLT
(1/4" x 12mm BLK)  4PCS

4 BOLT
(1/4" x 28mm BLK)  8PCS


5 BOLT
(1/4" x 38mm BLK)  4PCS


6 BOLT
(4 x 20mm)  2PCS


7 HANDLE  2PCS

8 CAM LOCK
(ϕ 12mm)  4PCS


9 SUCTION CUP
(ϕ 20mm)  6PCS

10 SCREW
(4 x 38mm BLK)  16PCS

11 SCREW
(3.5 x 12mm BLK)  24PCS

12 DOWEL
(38mm)  4PCS

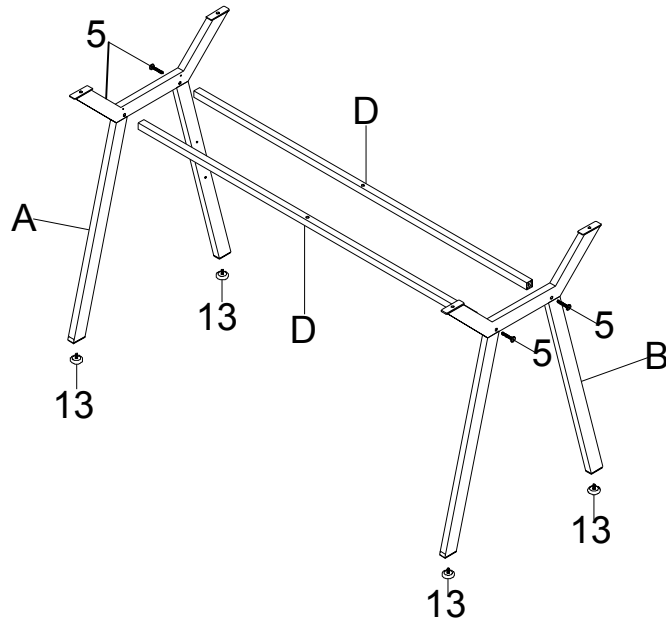
13 FOOT PAD
(1/4" x 12mm)  4PCS

14 ALLEN WRENCH
(4mm)  1PC

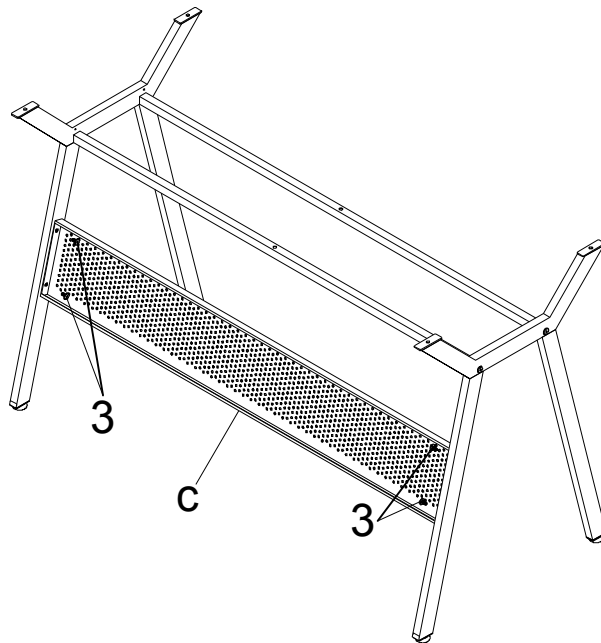
15 GLUE  1PC

ASSEMBLY INSTRUCTIONS

STEP 1 Do not tighten until each step is completed or instructed.

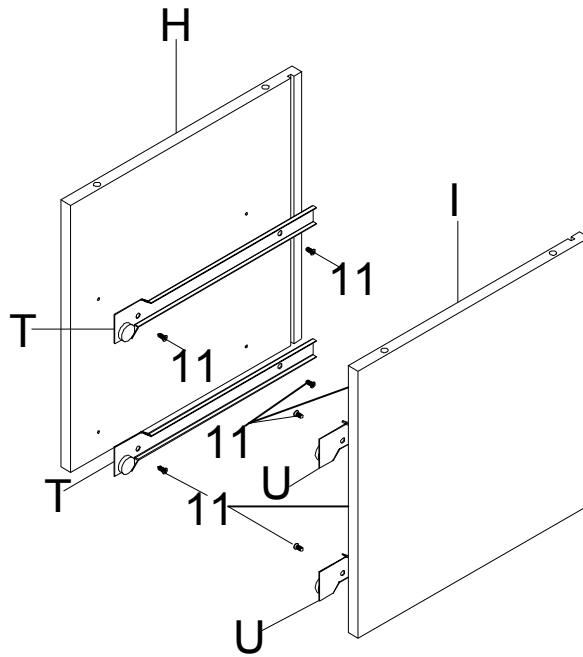


STEP 2

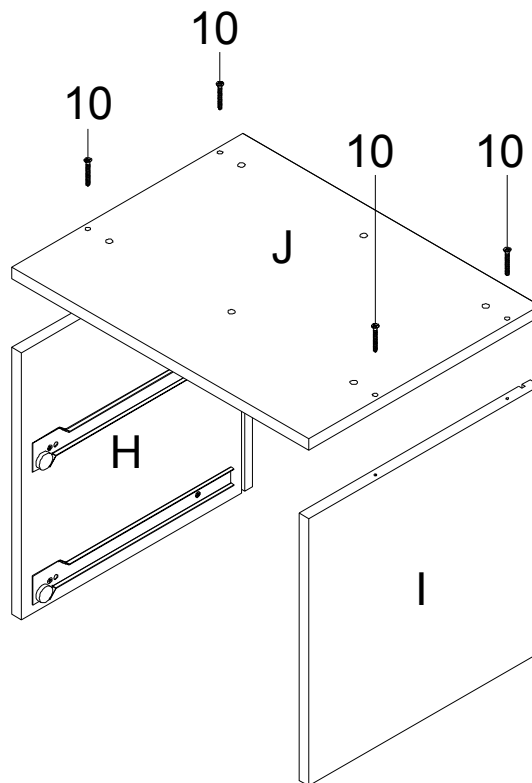


ASSEMBLY INSTRUCTIONS

STEP 3

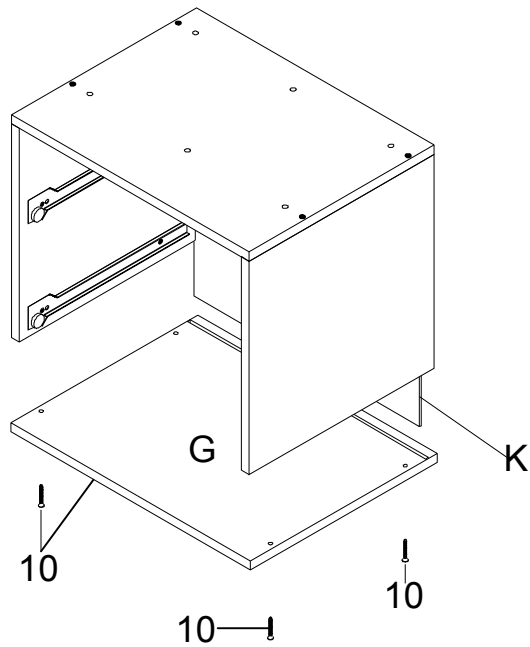


STEP 4

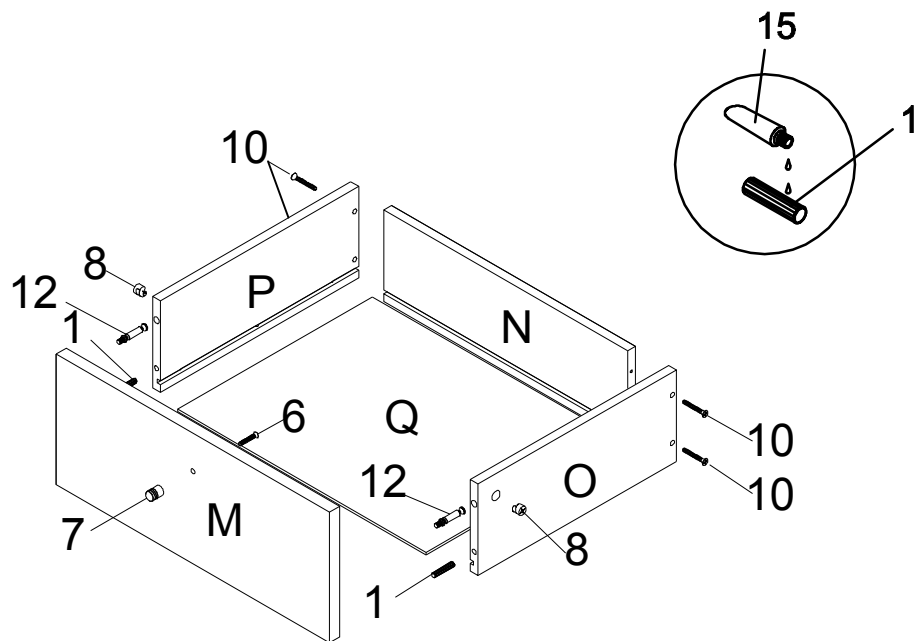


ASSEMBLY INSTRUCTIONS

STEP 5

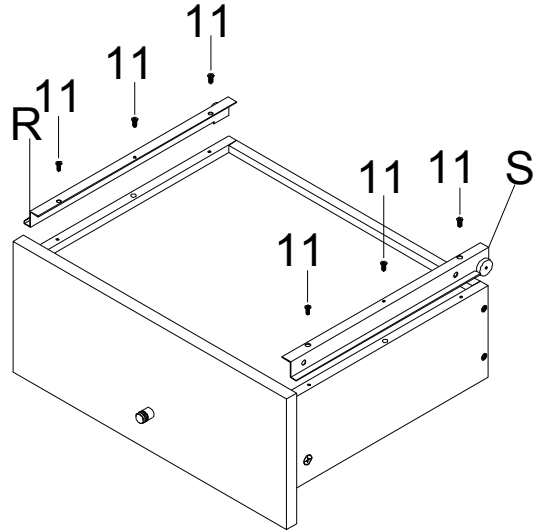


STEP 6

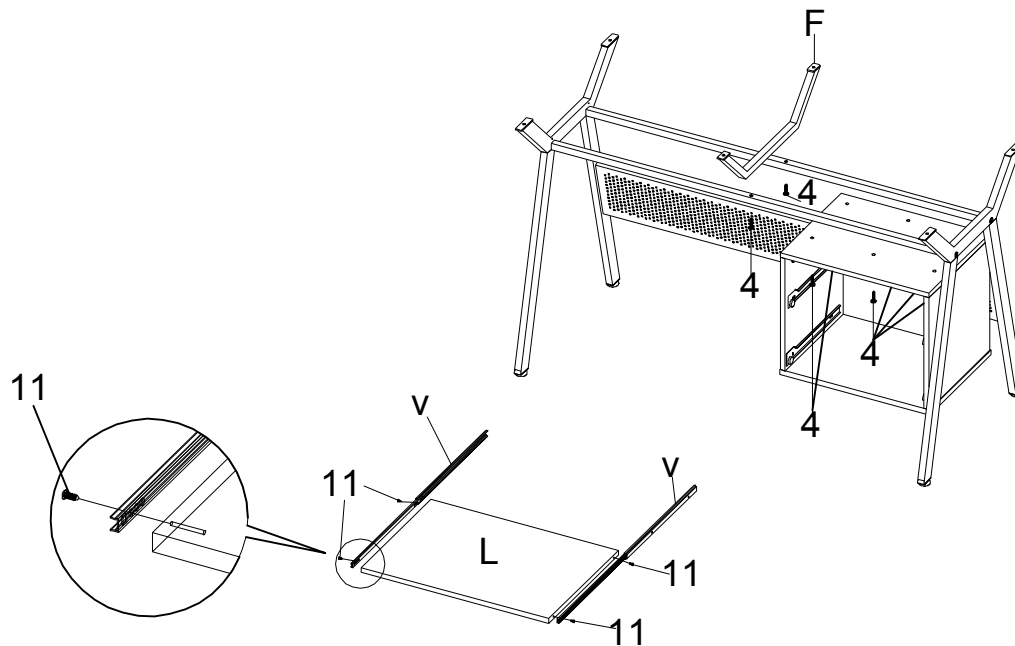


ASSEMBLY INSTRUCTIONS

STEP 7

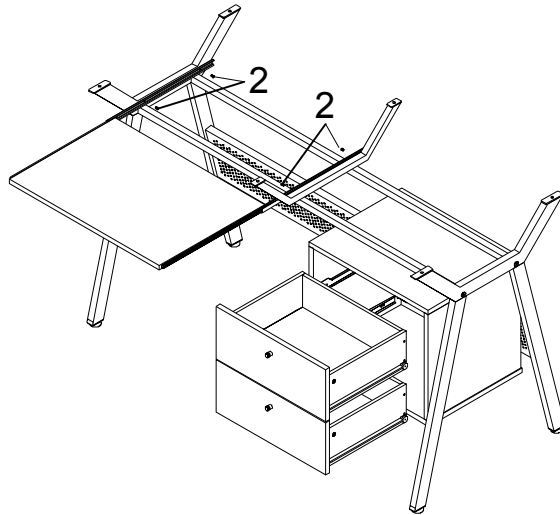


STEP 8



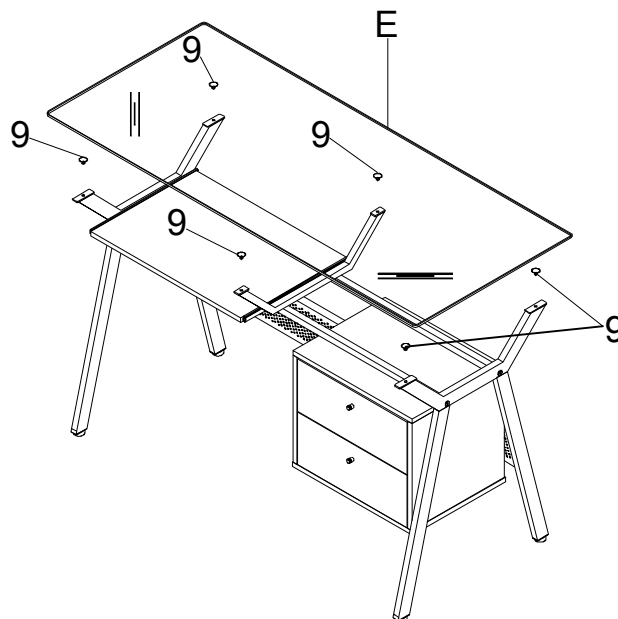
ASSEMBLY INSTRUCTIONS

STEP 9

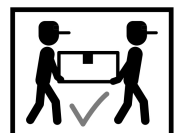


STEP 10

COMPLETE

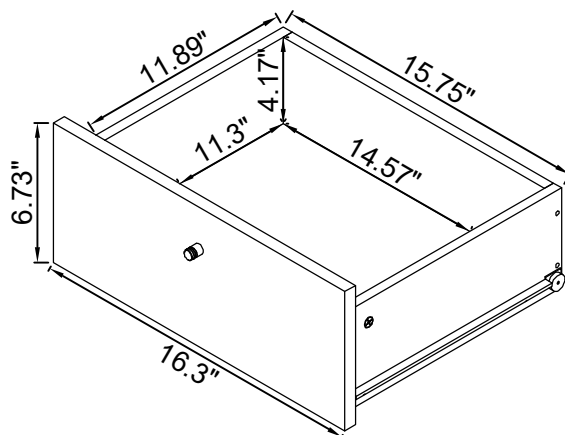
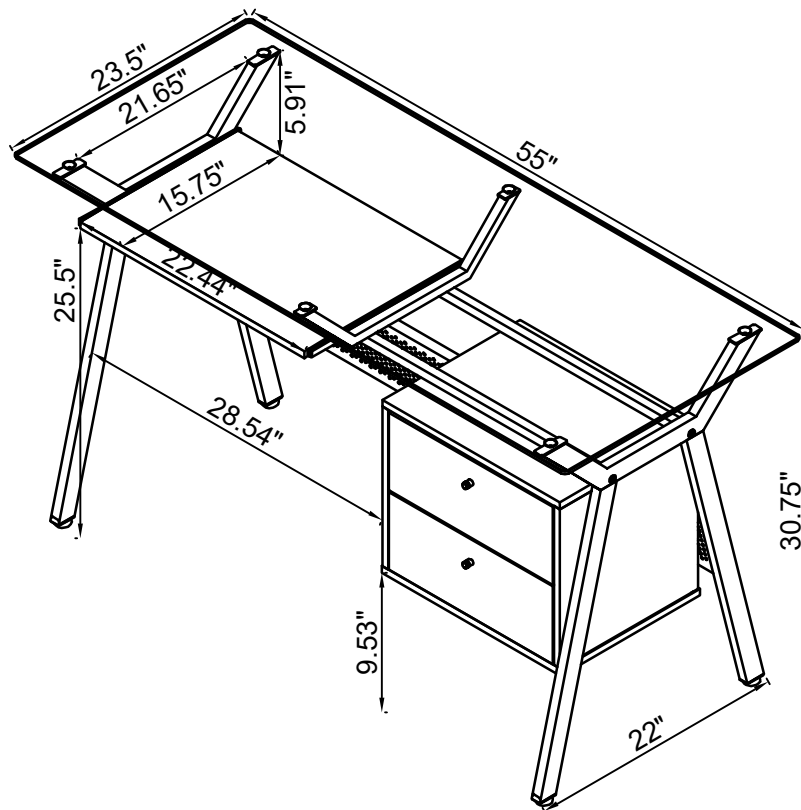


COMPLETE



ASSEMBLY INSTRUCTIONS

Product Size : 1398 X 597 X 781 H (MM)
Product Size : 55" X 23 1/2" X 30 3/4"



Note : Dimension tolerance $\pm 5\%$