

ASSEMBLY INSTRUCTIONS

ROUND DINING TABLE

Please read instructions carefully

Remove all wrapping materials, staples and packing straps from the carton. Refer to Parts List and Hardware List and ensure they are complete before you start assembling. Place all wooden parts on a clean, flat and soft surface (e.g carpet or rug) to prevent parts from being scratched.

CAUTIONS: 1) DO NOT FULLY TIGHTEN BOLTS AND NUTS UNTIL ALL PARTS HAVE BEEN ASSEMBLED.






2) DO NOT OVER-TIGHTEN BOLTS AND NUTS AS IT MAY DAMAGE THE SCREW RHREAD.

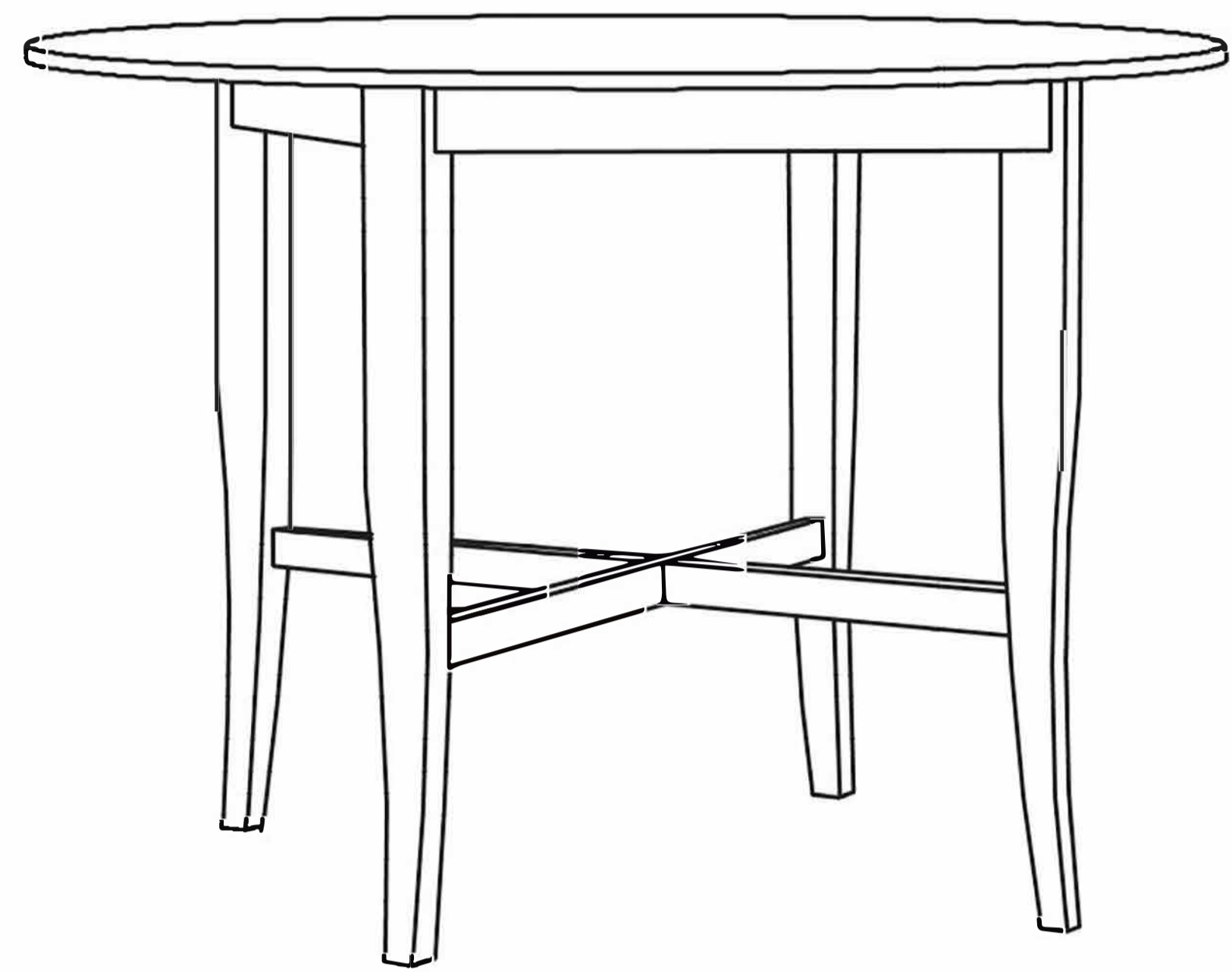
3) KEEP ALL HARDWARE PARTS OUT OF REACH OF CHILDREN.

PARTS LIST (FOR 1 NOS. OF TABLE)

NO.	COMPONENT	QTY.
P1	TABLE TOP	1
P2	TABLE LEG	4
P3	TABLE STRETCHER	1
P4	TABLE STRETCHER	1

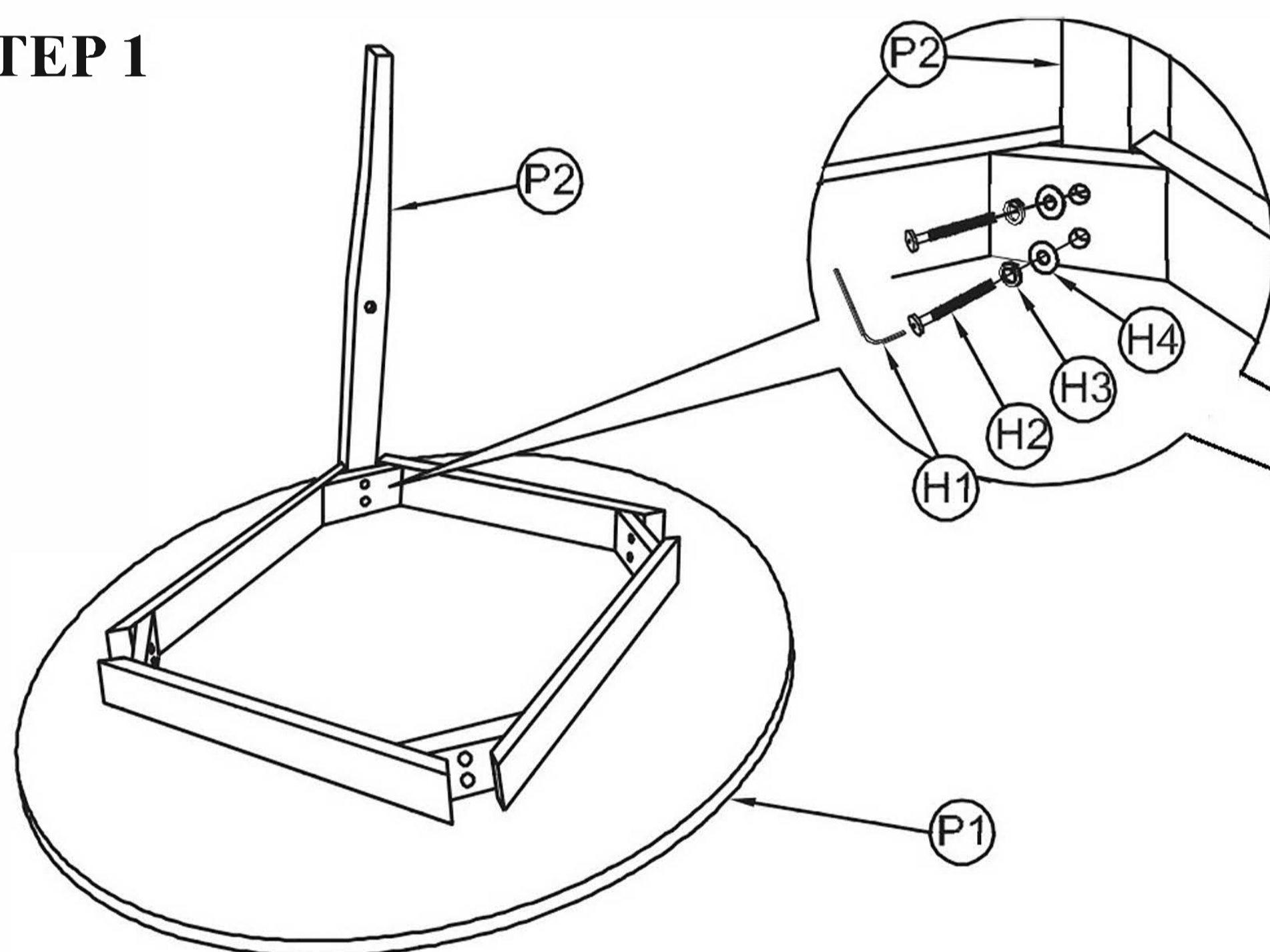
HARDWARE LIST (FOR 1 NOS. OF TABLE)

NO.	DESCRIPTION	QTY.
H1	ALLEN KEY 	1
H2	M6 X 50 JCBC SCREW 	8
H3	SPRING WASHER 	8
H4	FLAT WASHER 	8
H5	CSK SCREW 50 	4

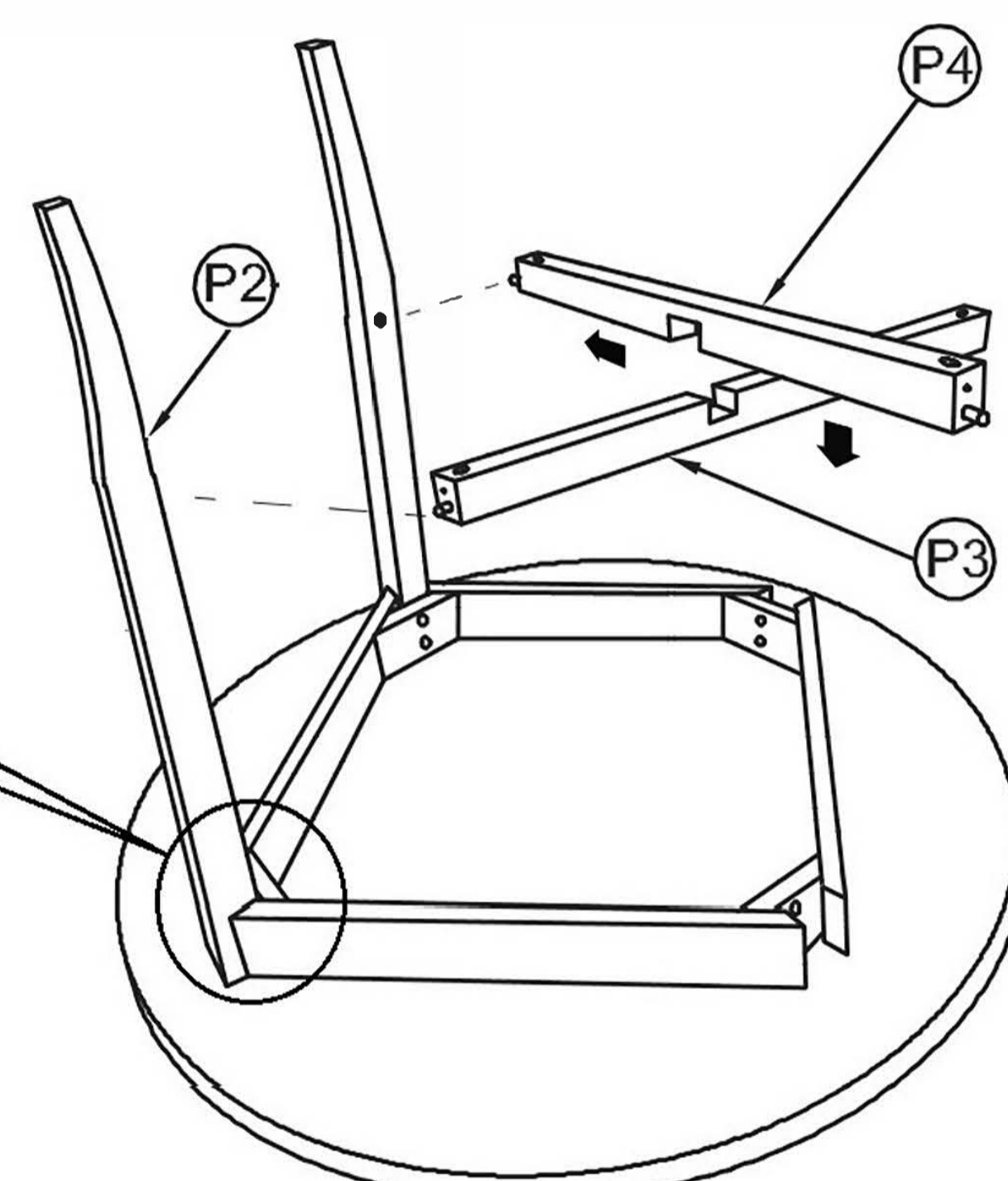


COMPLETE ASSEMBLY

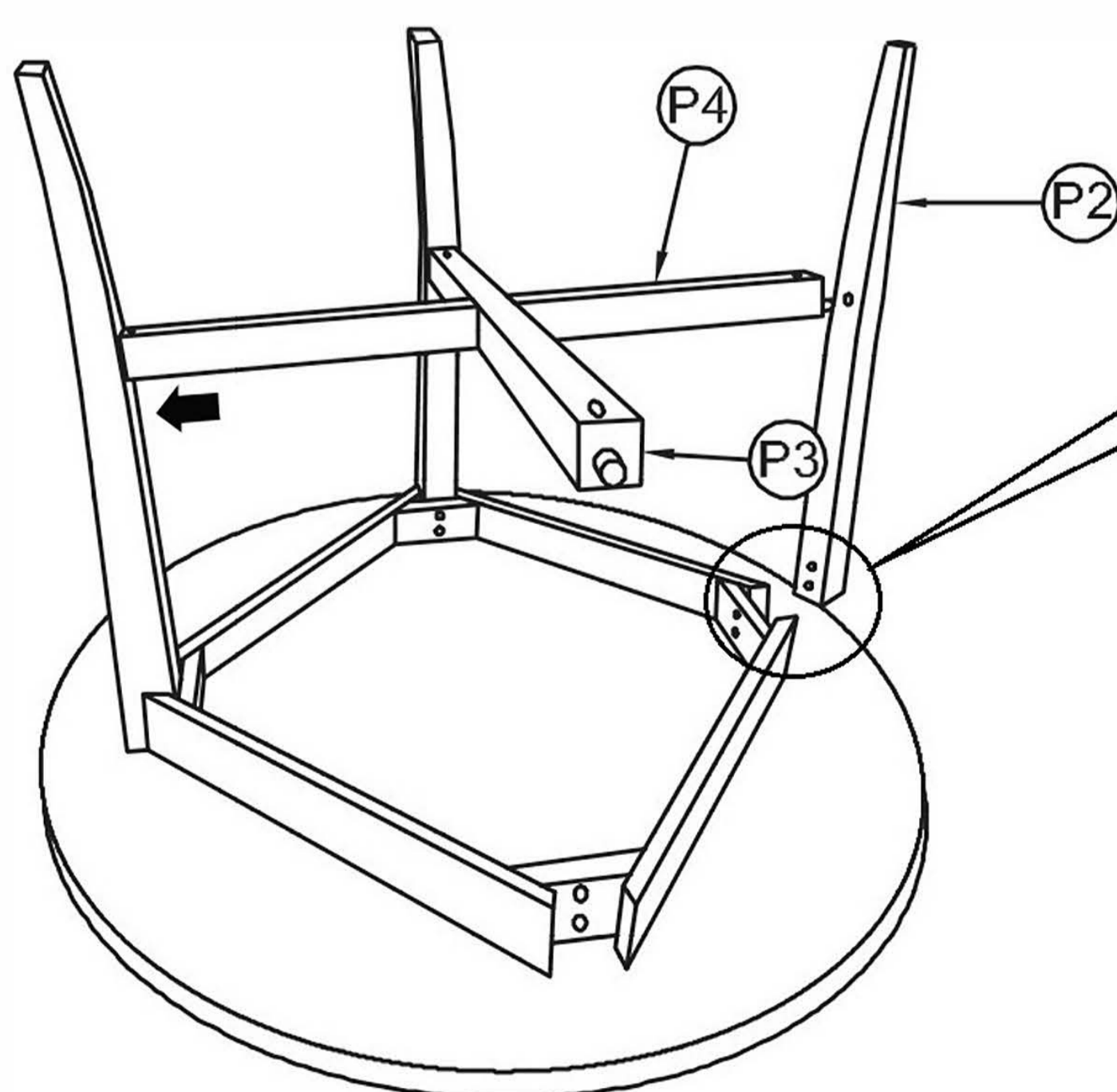
STEP 1



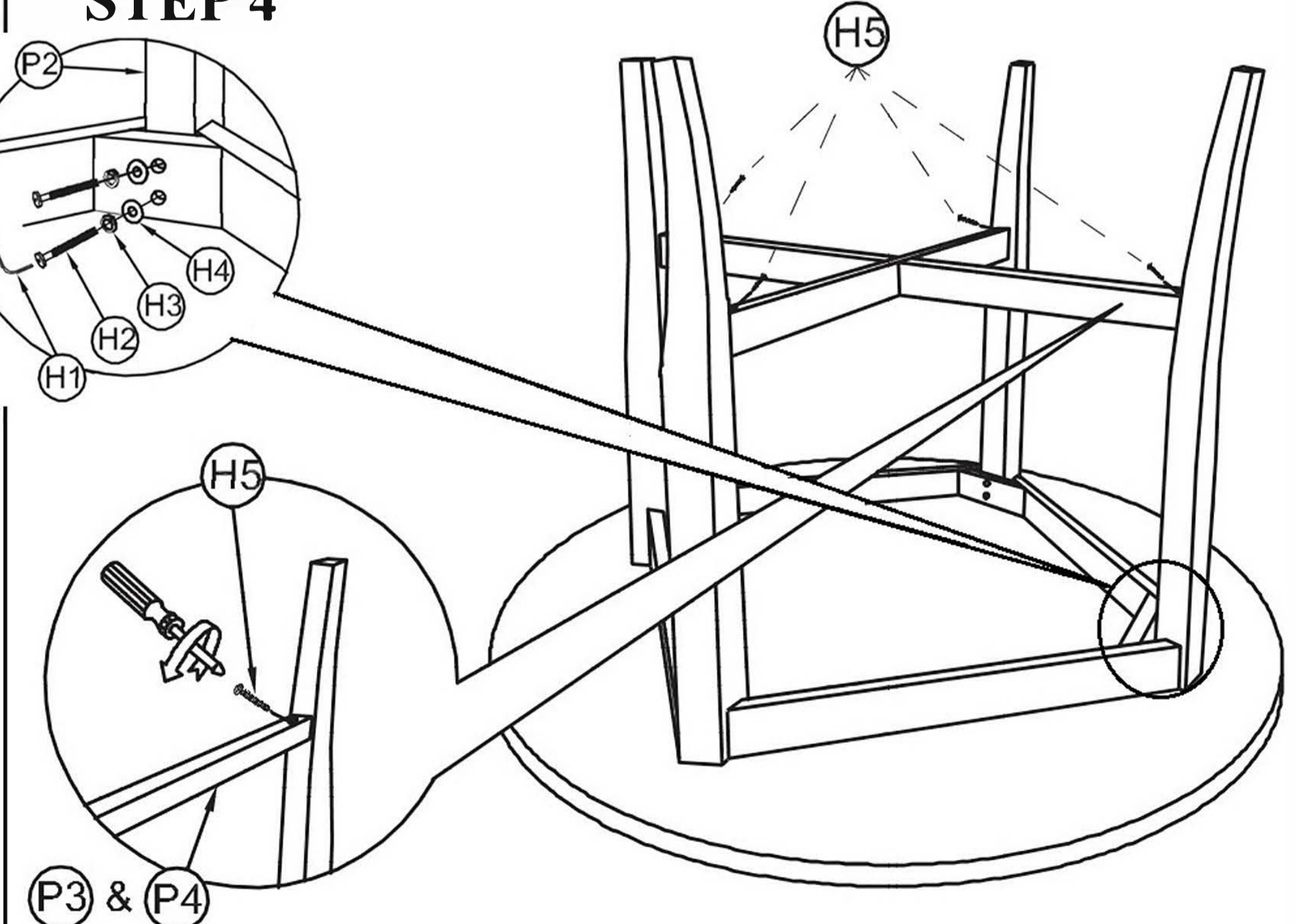
STEP 2



STEP 3



STEP 4



CARE AND MAINTENANCE

- SAFETY - To avoid any risk of suffocation to children and animals, dispose off plastic bags immediately.
- CLEANING - Clean with damp cloth and mild detergent. Do not use bleach or abrasive products.
- FITTINGS - Tighten bolts and nuts from time to time to ensure all parts of product are securely fitted.