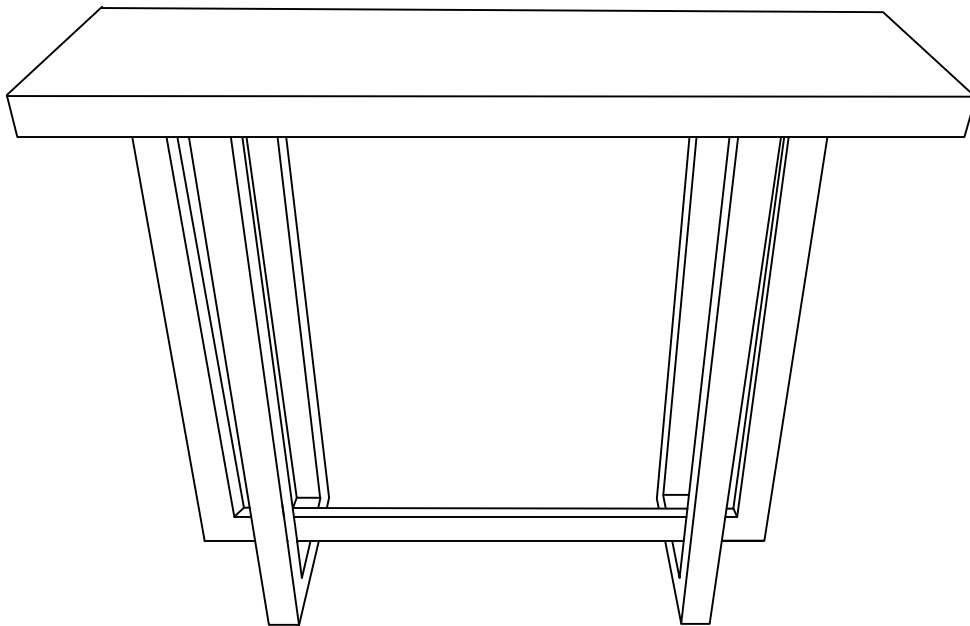


ASSEMBLY INSTRUCTIONS

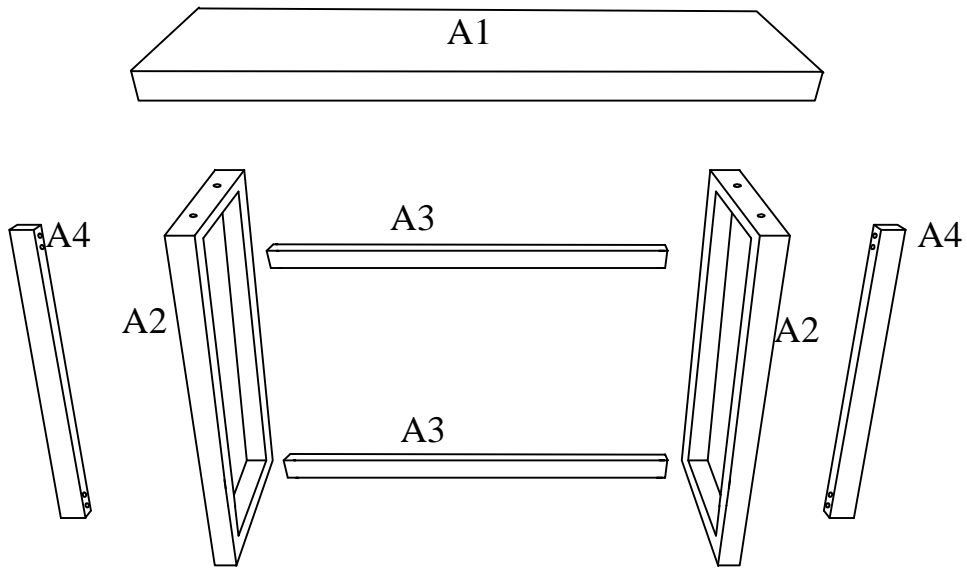
Style # C1115 Console Table

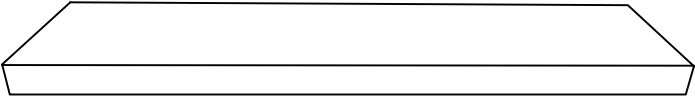
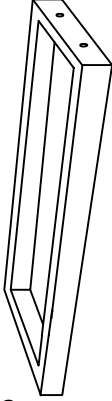
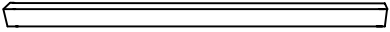
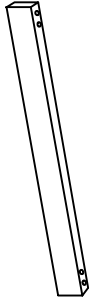


NOTE TO CUSTOMERS:

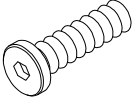


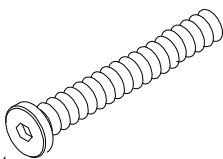

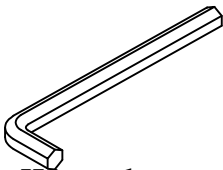
- For ease and speed of assembly we recommend that before you commence each step of the assembly that you identify all the parts required to complete that step.
- We recommend that where possible you allow sufficient space to assemble the item as close as possible to the place where it will be once assembled.
- For the protection of your furniture we recommend that the product is placed on protected surfaces during assembly to prevent any damage.
- During assembly do not over tighten ,as this may damage the product.
- Please ensure you retain all the product packaging until the item completely assembled.
- Please periodically check all fittings and re-tighten as necessary.
- Never allow any liquids to remain on your furniture as absorption can cause the wood to warp or the finish to de-laminate.
- It is recommended that this item should be assembled by two adults.

Part List



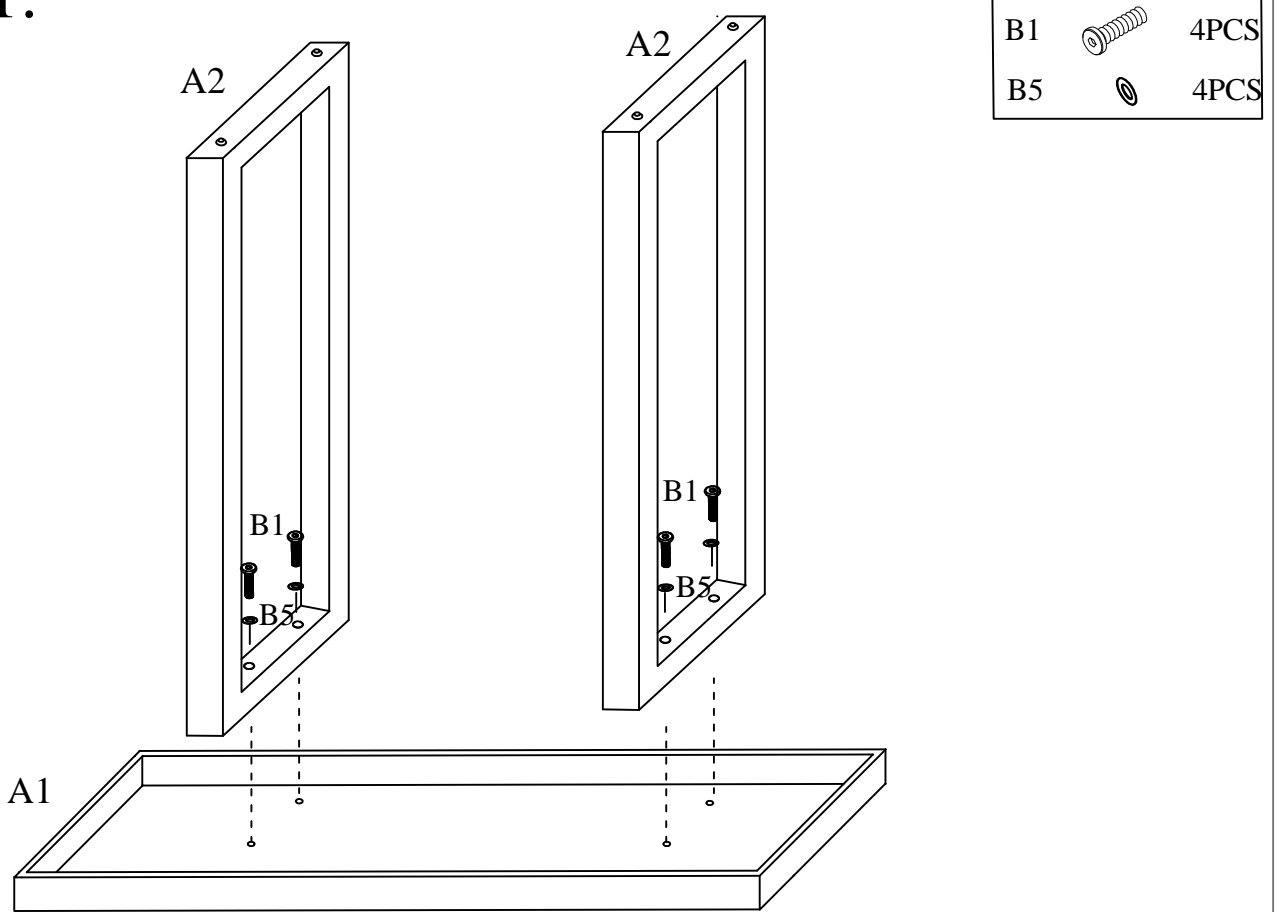
<p>A1</p> <p>1PC</p>  <p>Top Panel</p>	<p>A2</p> <p>2PCS</p>  <p>Side Frame</p>
<p>A3</p> <p>2PCS</p>  <p>Connect Bar</p>	<p>A4</p> <p>2PCS</p>  <p>Connect Bar</p>

Hardware List

B1  Bolt 8PCS	B2  Wooden Dowel 4PCS	B3  Nut 4PCS
B4  Bolt 4PCS	B5  Flat Washer 4PCS	 Allen Wrench

Assembly instructions

Step 1:

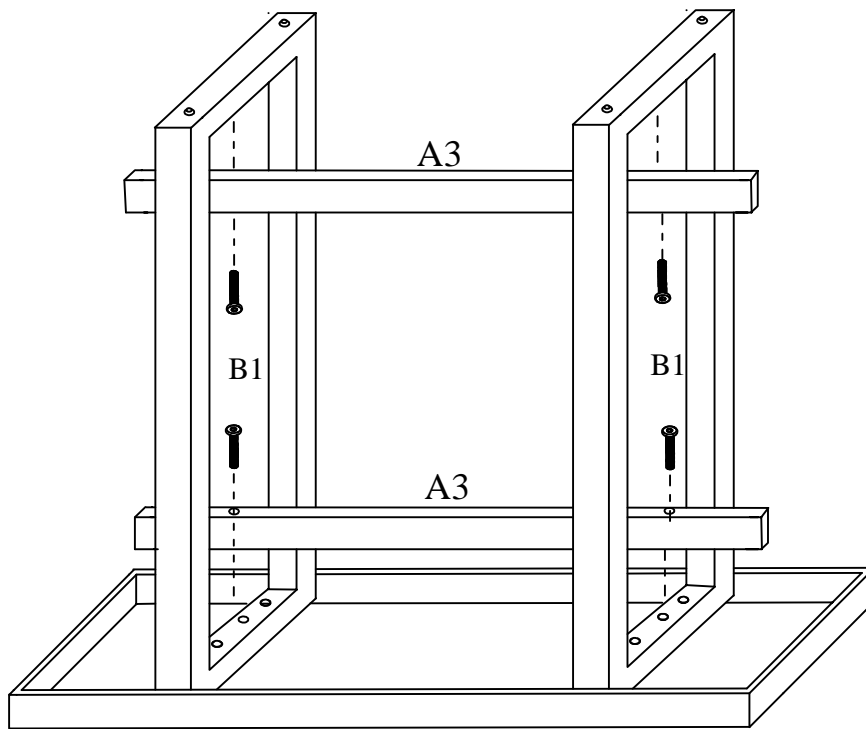


Assemble Side Frames A2 to the bottom of Top Panel A1 using Bolts B1 and Flat Washer B5 as shown above.

Note: Do not tighten bolts until Step 3.



Step 2:

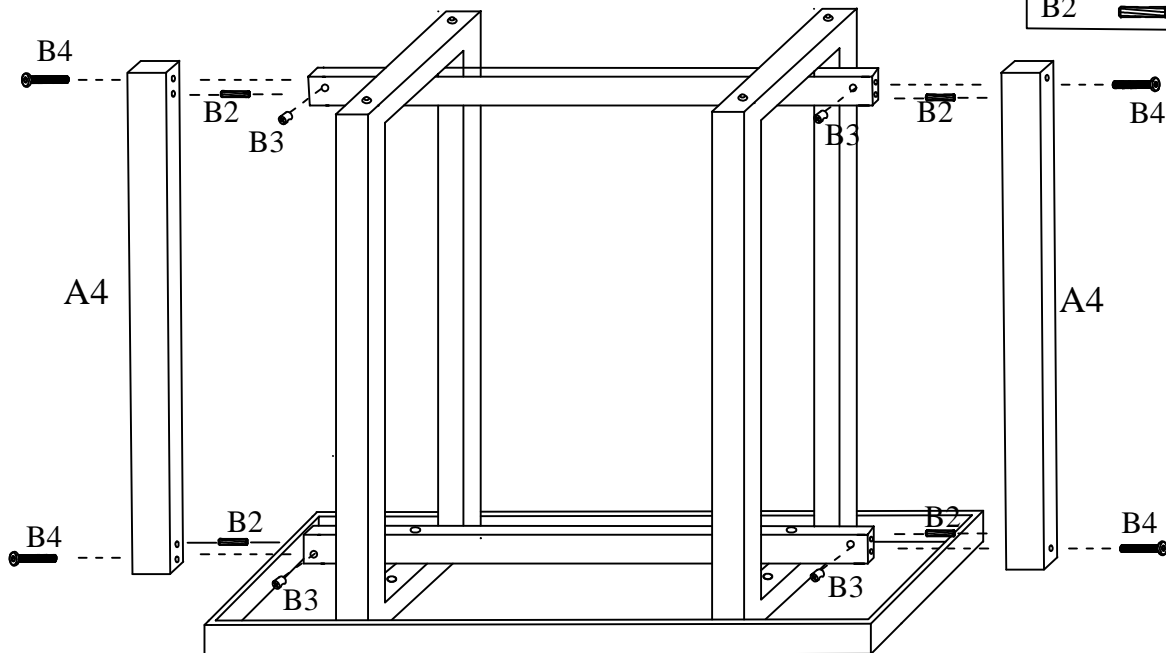
B1  4PCS



Assemble Connect Bars A3 to Side Frames A2 using Bolts B1 as shown above.

Step 3:

B3  4PCS
B4  4PCS
B2  4PCS



Assemble Connect Bars A3&A4 using Wooden Dowels B2 , Nuts B3 and Bolts B4 as shown above, then tighten all the bolts B1 in this point.

Step 4:

B2   4Sets

